

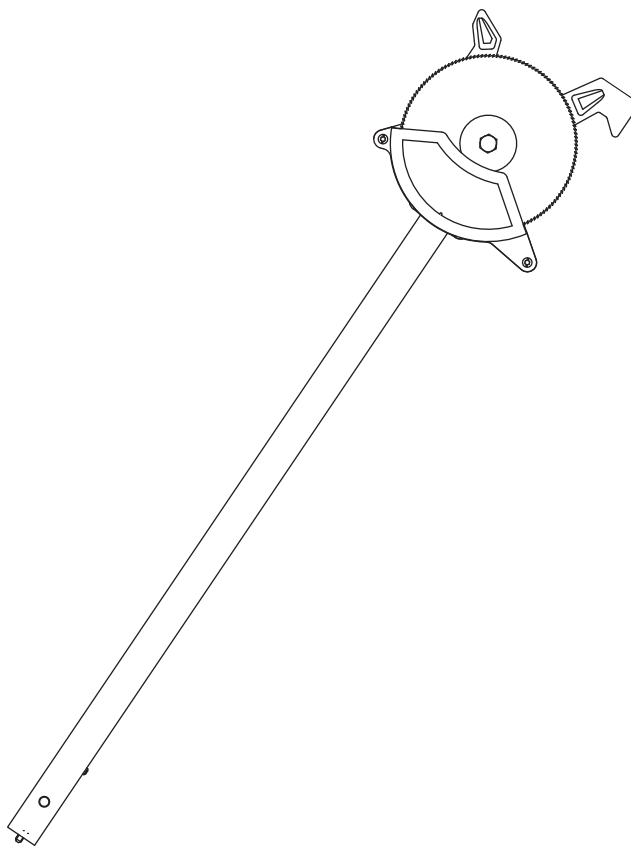
Operator's Manual

CRAFTSMAN[®]

Bladed Pruner

ATTACHMENT

Model No. 316.792480



- SAFETY
- ASSEMBLY
- OPERATION
- MAINTENANCE
- PARTS LIST
- ESPAÑOL, P. E1

CAUTION: Before using this product, read this manual and follow all safety rules and operating instructions.

Sears, Roebuck and Co., Hoffman Estates, IL 60179, U.S.A.
Visit our website: www.sears.com/craftsman

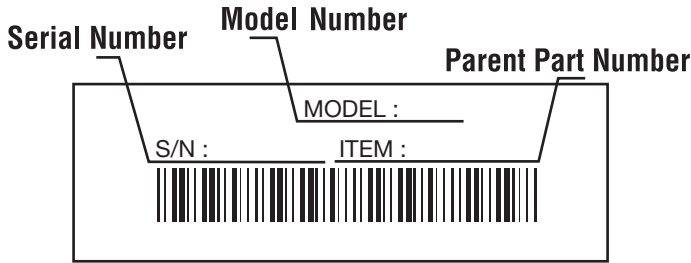
769-03520A

RULES FOR SAFE OPERATION

TABLE OF CONTENTS

Safety Rules	2
Warranty	4
Know Your Unit	5
Assembly Instructions	5
Operating Instructions	6
Maintenance and Repair Instructions	7
Cleaning and Storage	8
Specifications	8
Parts List	E9
Service Numbers	Back Cover

Before beginning, locate the unit's model plate. It lists the model and serial numbers of your unit. Refer to the sample plate below and copy the information for future reference.



Copy the model and parent part number here:

Copy the serial number here:

The purpose of safety symbols is to attract your attention to possible dangers. The safety symbols, and their explanations, deserve your careful attention and understanding. The safety warnings do not by themselves eliminate any danger. The instructions or warnings they give are not substitutes for proper accident prevention measures.

SYMBOL	MEANING
	DANGER: Failure to obey a safety warning will result in serious injury to yourself or to others. Always follow the safety precautions to reduce the risk of fire, electric shock and personal injury.
	WARNING: Failure to obey a safety warning can result in injury to yourself and others. Always follow the safety precautions to reduce the risk of fire, electric shock and personal injury.
	CAUTION: Failure to obey a safety warning may result in property damage or personal injury to yourself or to others. Always follow the safety precautions to reduce the risk of fire, electric shock and personal injury.
	SAFETY ALERT: Indicates danger, warning or caution. Attention is required in order to avoid serious personal injury. May be used in conjunction with other symbols or pictographs.

NOTE: Advises you of information or instructions vital to the operation or maintenance of the equipment.

Read the Operator's Manual and follow all warnings and safety instructions. Failure to do so can result in serious injury to the operator and/or bystanders.

FOR QUESTIONS, CALL 1-800-659-5917

• IMPORTANT SAFETY INSTRUCTIONS •

READ ALL INSTRUCTIONS BEFORE OPERATING

	WARNING: When using the unit, you must follow the safety rules. Please read these instructions before operating the unit in order to ensure the safety of the operator and any bystanders. Please keep these instructions for later use.
--	---

- Carefully read and understand the operator's manual of the unit that powers this attachment.
- Read this operating instruction manual carefully. Be thoroughly familiar with the controls and the proper use of the equipment. Know how to stop the unit and disengage the controls quickly.
- Do not operate this unit when tired, ill, or under the influence of alcohol, drugs, or medication.
- Never allow children to operate the equipment. Never allow adults unfamiliar with the instructions to use the unit. Never allow adults to operate the equipment without proper instruction.
- All guards and safety attachments must be installed properly before operating the unit.
- Inspect the unit before use. Replace damaged parts. Check for fuel leaks. Make sure all fasteners are in place and secure. Replace parts that are cracked, chipped, or damaged in any way. Do not operate the unit with loose or damaged parts.
- Be aware of the risk of injury to the head, hands and feet.
- Clear the area of children, bystanders, and pets. At a minimum, keep all children, bystanders, and pets outside a 50 feet (15 m.) radius; there still may be a risk to bystanders from thrown objects. Bystanders should be encouraged to wear eye protection. If you are approached, stop the unit immediately.

SPECIAL SAFETY WARNINGS FOR GAS POWERHEADS

	WARNING: Gasoline is highly flammable, and its vapors can explode if ignited. Take the following precautions:
--	--

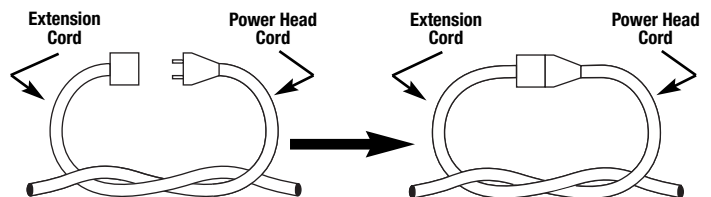
- Store fuel only in containers specifically designed and approved for the storage of such materials.
- Always stop the engine and allow it to cool before filling the fuel tank. Never remove the cap of the fuel tank, or add fuel, when the engine is hot. Never operate the unit without the fuel cap securely in place. Loosen the fuel tank cap slowly to relieve any pressure in the tank.

- Avoid creating a source of ignition for spilled fuel. Do not start the engine until fuel vapors dissipate.
- Move the unit at least 30 feet (9.1 m) from the fueling source and site before starting the engine. Do not smoke. Keep sparks and open flames away from the area while adding fuel or operating the unit.
- Never start or run the unit inside a closed room or building. Breathing exhaust fumes can kill. Operate this unit only in a well ventilated area outdoors.

SAFETY WARNINGS FOR ELECTRIC POWERHEADS

	WARNING: To reduce the risk of electrical shock, use only extension cords approved for outdoor use, such as an extension cord of cord type SW-A, SOW-A, STW-A, STOW-A, SJW-A, SJOW-A, SJTW-W or SJTOW-A. Extension cords are available from your local retailer. Use only round-jacketed extension cords approved for outdoor use.
--	---

- **CORD SETS:** Make sure your cord set is in good condition. When using a cord set, be sure to use a cord that is heavy enough to carry the current that your unit will draw. An undersized cord set will cause a drop in line voltage resulting in loss of power and overheating. See the operator's manual for the unit that will power this attachment for the recommended cord size.
- Inspect all extension cords and the unit power connection periodically. Look closely for deterioration, cuts or cracks in the insulation. Also inspect the connections for damage. Replace the cords if any defects or damage appear.
- Prevent disconnection of the electric powerhead from extension cord during operation by using a plug-receptacle retaining strap, connector, or by making a knot as shown below:



RULES FOR SAFE OPERATION



DANGER: RISK OF CUT OR SHOCK — Keep hands away from blades. Keep one hand on assist handle on the powerhead and on the loop handle of attachment when power is on. Do not attempt to remove cut material or hold material to be cut when blades are moving. Make sure the switch on the power unit is off when clearing jammed material from blades. Wear gloves when handling the blade. **Do not operate unit with one hand.**

- Avoid dangerous environments. Never operate your unit in damp or wet conditions. Moisture is a shock hazard.
- Do not use the unit in the rain. Do not use in or around water. Do not use on wet hedges or shrubbery.
- Do not handle the plug or unit with wet hands or standing on any wet surfaces.
- Do not leave the unit plugged in when not in use, changing attachments or attachments, or while being serviced.

BLADED PRUNER OPERATING PROCEDURES

- Keep bystanders, especially children and pets, at least 50 ft (15 m) away.
- Wear safety glasses or goggles that are marked as meeting ANSI Z87.1–1989 standards. Wear ear/hearing protection and protective head gear when operating this unit. Non-skid footwear is recommended when working outdoors. Wear protective hair covering to contain long hair. Wear a face or dust mask if the operation is dusty.
- Be sure the cutting attachment is not in contact with anything before starting the unit.
- Wear heavy, long pants, boots, gloves and a long sleeve shirt. Do not wear loose clothing, jewelry, short pants, sandals or go barefoot. Secure hair above shoulder level.
- Use the unit only in daylight or good artificial light.
- Use the right tool. Only use this tool for the purpose intended.
- Always stop the engine/motor when operation is delayed or when walking from one location to another.
- Use only genuine factory replacement parts and accessories for this unit. These are available from your authorized service dealer. Use of any unauthorized parts or accessories could lead to serious injury to the user or damage to the unit, and void your warranty.
- Do not attempt to touch or stop the blade when it is rotating.
- A coasting blade can cause injury while it continues to spin after the engine is stopped or the throttle trigger is released. Maintain proper control until the blade has completely stopped rotating.
- Do not run the unit at high speed when not cutting.
- If you strike or become entangled with a foreign object, stop the engine immediately and check for damage. Have any damage repaired before attempting further operations. Do not operate unit with a bent, cracked or dull blade. Discard blades that are bent, warped, cracked or broken.
- Do not sharpen the cutting blade. Replace the blade.
- Use the bladed pruner only for the purpose described in this manual.
- Stop the engine IMMEDIATELY if you feel excessive vibration. Vibration is a sign of trouble. Inspect thoroughly for loose nuts, bolts or damage before continuing. Repair or replace affected parts as necessary.

BLADE THRUST PRECAUTIONS



WARNING: Blade thrust may occur when the spinning blade contacts an object that it does not immediately cut. Blade thrust can be violent enough to cause the unit and/or operator to be propelled in any direction, and possibly lose control of the unit. Blade thrust can occur without warning if the blade snags, stalls or binds. This is more likely to occur in areas where it is difficult to see the material being cut.

- With a basic understanding of blade thrust, you can reduce or eliminate the element of surprise. Sudden surprise contributes to accidents.
- Always cut with the engine running at full speed. Fully squeeze the throttle trigger and maintain a steady cutting speed.
- Do not overreach. Always keep proper footing and balance.
- Always hold the unit with both hands when operating. Keep a firm grip on both handles or grips.
- Keep hands, face, and feet at a distance from all moving parts. Do not touch or try to stop the cutting attachment when it rotates.
- Keep unit clean of vegetation and other materials. They may become lodged between the blade and blade cover.

OTHER SAFETY PRECAUTIONS

- DO NOT operate a bladed pruner with one hand! Serious injury to the operator, helpers, or bystanders may result from one-handed operation. A bladed pruner is intended for two-handed use.

- Keep the work area clean. Cluttered areas invite injuries. Do not start cutting until you have a clear work area, secure footing, and a planned retreat path from the falling branches.
- Stay Alert. Watch what you are doing. Use common sense. Do not operate the bladed pruner when you are tired. Keep all parts of your body away from the pruner blade when the motor is operating. Before you start the pruner, make sure the pruner blade is not contacting anything.
- Disconnect the bladed pruner when not in use, before servicing, and when changing blades.
- Check damaged parts. Before further use of the bladed pruner, a guard or other part that is damaged should be carefully checked to determine that it will operate properly and perform its intended function. Check for alignment of moving parts, binding of moving parts, breakage of parts, mounting, and any other conditions that may affect its operation. A guard or other part that is damaged should be properly repaired or replaced by an authorized service center, unless otherwise indicated in this instruction manual.
- Do not operate a bladed pruner in a tree unless you are specifically trained to do so. When cutting a limb that is under tension, be alert for spring back so that you will not be struck when the tension in the wood fibers is released.
- Do not expose the bladed pruner to rain. Do not use the bladed pruner in damp or wet locations.
- Do not use the bladed pruner in the presence of flammable liquids or gases.
- All bladed pruner service, other than the items listed in the user manual safety and maintenance instructions, should be performed by qualified personnel. Do not attempt to repair it yourself; there are no user serviceable parts inside.
- The bladed pruner will do a better and safer job when used at the rate for which it was intended.
- Use the right tool. Cut wood only. Do not use the bladed pruner for purposes for which it was not intended. For example, do not use the bladed pruner for cutting plastic, masonry, or non-building materials.
- Do not operate a bladed pruner that is damaged, improperly adjusted, or not completely and securely assembled. Be sure that the blade stops moving when the trigger is released.
- Do not attempt operations beyond your capacity or experience.
- Never remove, modify or make inoperative any safety device furnished with your unit.
- This pruner is intended for infrequent use by homeowner's, cottagers and campers, and for such general applications such as clearing, pruning, cutting firewood, etc. It is not intended for prolonged use. If the intended use involves prolonged periods of operation, this may cause circulatory problems in the user's hands due to vibration. It may be appropriate to use a pruner having an anti-vibration feature.
- Safety clothing required by your safety organizations, government regulations, or your employer should be used; otherwise, snug fitting clothing, safety footwear, and hand and ear protection should be worn.
- Never touch the blade or attempt to service the unit while the engine is running. Make sure all moving parts have stopped. Allow the blade to cool as the blade can be hot.
- Make sure the blade is properly tightened. Visually inspect for damage. Repair any damage before restarting or operating the unit.
- Do not cut near electrical cables or power lines.
- Do not use the bladed pruner to fell a tree. Use a standard chain saw for this application.

MAINTENANCE AND STORAGE

- Allow the unit to cool before storing or transporting. Be sure to secure the unit while transporting.
- Store the unit in a locked up and dry or high and dry place to prevent unauthorized use or damage, out of the reach of children.
- Never douse or squirt the unit with water or any other liquid. Keep handles dry, clean and free from debris. Clean after each use. See *Cleaning and Storage*.
- Keep these instructions. Refer to them often and use them to instruct other users. If you loan someone this unit, also loan them these instructions.
- Only qualified personnel should perform any repairs or maintenance procedures that are not described in this manual.

SAVE THESE INSTRUCTIONS

RULES FOR SAFE OPERATION


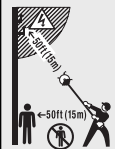
• SAFETY AND INTERNATIONAL SYMBOLS •

This operator's manual describes safety and international symbols and pictographs that may appear on this product. Read the operator's manual for complete safety, assembly, operating, maintenance, and repair information.

SYMBOL MEANING

	<ul style="list-style-type: none"> • SAFETY ALERT SYMBOL Indicates danger, warning or caution. May be used in conjunction with other symbols or pictographs.
	<ul style="list-style-type: none"> • READ OPERATOR'S MANUAL WARNING: Read the operator's manual(s) and follow all warnings and safety instructions. Failure to do so can result in serious injury to the operator and/or bystanders.
	<ul style="list-style-type: none"> • WEAR HEAD, EYE, AND HEARING PROTECTION WARNING: Thrown objects and loud noise can cause severe eye injury and hearing loss. Wear eye protection meeting ANSI Z87.1-1989 standards and ear protection when operating this unit. Use a full face shield when needed.
	<ul style="list-style-type: none"> • HOT SURFACE WARNING: Do not touch a hot surface. You may get burned. These parts get extremely hot from operation. They remain hot for a short time after the unit is turned off.

SYMBOL MEANING

	<ul style="list-style-type: none"> • USE BOTH HANDS Always use both hands while operating the bladed pruner. Never use only one hand to operate the unit.
	<ul style="list-style-type: none"> • KEEP BYSTANDERS AWAY WARNING: Keep all bystanders, especially children and pets, at least 50 feet (15 m) from the operating area. • POWER LINES CAN CAUSE SEVERE INJURY WARNING: Do not operate unit near power lines. Contact with a power line may cause serious injury or damage to the unit. Maintain a clearance of at least 50 ft (15 m) between the bladed pruner (including any branches it is contacting) and any electrical line.

WARRANTY STATEMENT

CRAFTSMAN FULL WARRANTY

If this Craftsman product fails due to a defect in material or workmanship within one year from the date of purchase, return it to any Sears store or other Craftsman outlet in the United States for free replacement.

This warranty applies for only 90 days from the purchase date if this product is ever used for commercial or rental purposes.

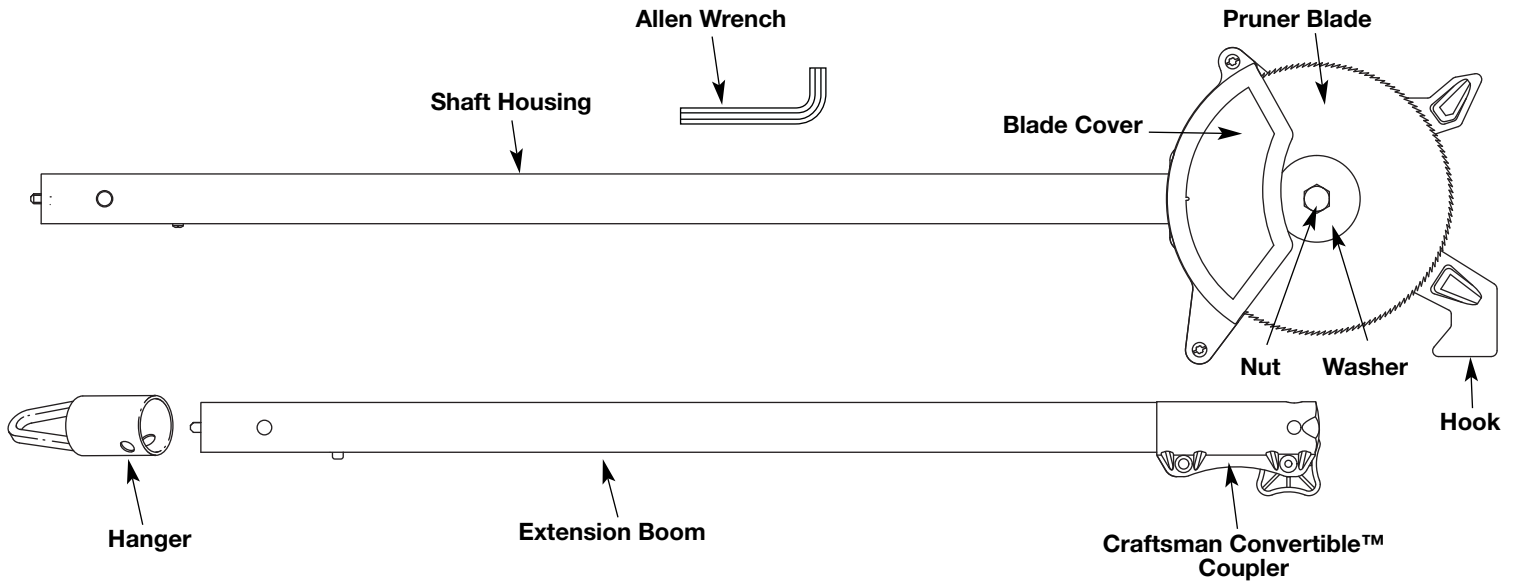
This warranty covers ONLY defects in material and workmanship. Sears will NOT pay for:

- The pruner blades, which are expendable items that can wear out from normal use within the warranty period.
- Repairs necessary because of accident or failure to operate or maintain the product according to all supplied instructions.

This warranty gives you specific legal rights, and you may also have other rights which vary from state to state.

Sears, Roebuck and Co., Hoffman Estates, IL 60179

KNOW YOUR UNIT



ASSEMBLY INSTRUCTIONS

INSTALLING / REMOVING THE ATTACHMENT

WARNING: Prior to operation, read and understand the operator's manual for unit to be used with this attachment.

The Bladed Pruner Attachment may be mounted to different power tools. The instruction manuals for the basic power tool and the attachment contain the information necessary for operation of the power tool combination. Therefore, always read BOTH instruction manuals before using the power tool for the first time. Keep the manuals in a safe place for future reference.

NOTE: To make installing or removing the attachment easier, place the unit on the ground or on a work bench.

WARNING: To avoid serious personal injury and damage to the unit, shut the unit off before removing or installing attachments.

Removing the Attachment or Extension Boom

1. Turn the knob counterclockwise to loosen (Fig. 1).

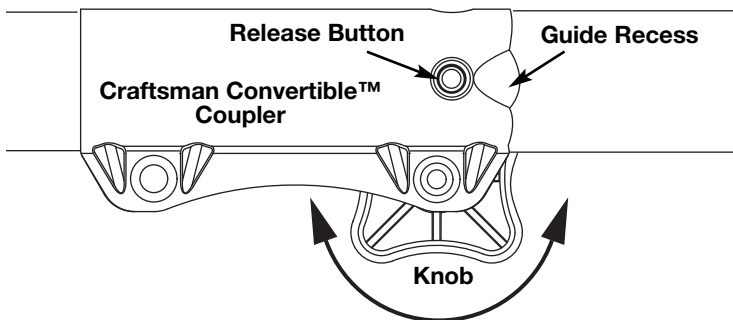


Fig. 1

2. Press and hold the release button (Fig. 1).
3. While firmly holding the upper shaft housing, pull the attachment or extension boom out of the coupler (Fig. 2).

Installing the Attachment or Extension Boom

1. Remove the hanger or shipping cap from the top of the shaft housing.
2. Turn knob counterclockwise to loosen (Fig. 1).
3. While firmly holding the attachment or extension boom, push it straight into the coupler (Fig. 2).

NOTE: Aligning the release button with the guide recess will help installation (Fig. 1).

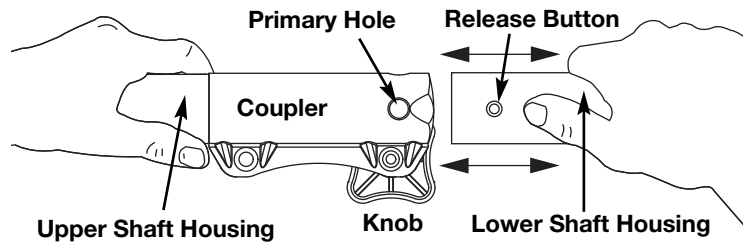


Fig. 2

WARNING: To avoid serious personal injury and damage to the unit, NEVER install more than one extension boom to a power tool.

4. Turn the knob clockwise to tighten (Fig. 3).

CAUTION: Lock the release button in the primary hole (Fig. 2) and securely tighten the knob before operating this unit.

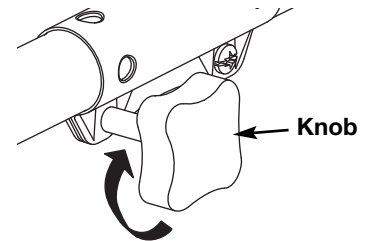


Fig. 3

5. Repeat steps 1–4 for the attachment or extension boom.

CAUTION: The attachments with the coupler system is to be used in the primary hole only. Using the wrong hole could lead to personal injury or damage to the unit.


The attachment should be installed with the release button in the primary hole.

Check Flex Shaft Engagement Prior to Using

1. Start the unit.
2. Briefly engage and release the trigger.
3. Check that attachment is operating.
4. If the attachment is not operating, remove attachment and repeat steps for installing the attachment.
5. Recheck operation of attachment.


OPERATING INSTRUCTIONS

OPERATING PRECAUTIONS

	WARNING: Dress properly to reduce the risk of injury when operating this unit. Do not wear loose clothing or jewelry. Wear eye and ear/hearing protection. Wear heavy long pants, boots and gloves. Wear a hard hat. Use a full face shield when needed.
--	---

1. Keep bystanders 50 feet (15 meters) away when operating the pruner.
2. Do not use the bladed pruner to cut down trees. Use a chain saw.
3. Grip bladed pruner securely—one hand on the grip, the other on the handle.
5. Keep finger off the trigger until ready to make cut.
6. Before starting the bladed pruner, make sure the blade is not touching anything.
7. Keep all parts of your body away from the blade when the pruner is running.
8. Do not force the bladed pruner while cutting. Apply light pressure. It will do the job better and safer at the rate for which it was intended.
9. When cutting limbs or branches that are under tension, use extreme caution. Be alert for wood springing back. When wood tension is released, the limb could spring back and strike operator causing severe injury or death.
10. When carrying bladed pruner from one place to another:
 - hold pole at balance point
 - keep blade to the rear
11. Do not cut small brush and saplings with the bladed pruner. Slender matter may catch in the blade and be whipped toward you. This could also pull you off balance.
12. Never stand directly under the limb you are trimming. Always position yourself out of the path of falling debris (Fig. 4).
13. Never stand on a ladder or other type of unstable support while using the bladed pruner.
14. Always use both hands to operate bladed pruner. Keep a firm, steady pressure on the bladed pruner while cutting, but do not try to force the blade through the wood.
15. **Do not use the bladed pruner to cut limbs larger than 1.5" (38 mm) in diameter.**
16. Keep other persons away from cutting end of bladed pruner and at a safe distance from work area. (Fig. 5).
17. Do not use the bladed pruner near cable, electric power or telephone lines (Fig. 6). Maintain a minimum clearance of 50 feet (15 m) from all power lines.

STARTING INSTRUCTIONS

	WARNING: To reduce the risk of fire and burn injuries, start the engine at least 30 ft. (9.1 m) from the fueling spot, outdoors only.
--	--

Start and operate your bladed pruner without assistance. For specific starting instructions, see the appropriate section of your powerhead manual. Proper starting methods reduce the risk of injury.

1. Place the bladed pruner on firm ground or other solid surface in an open area.
2. Maintain good balance and secure footing.

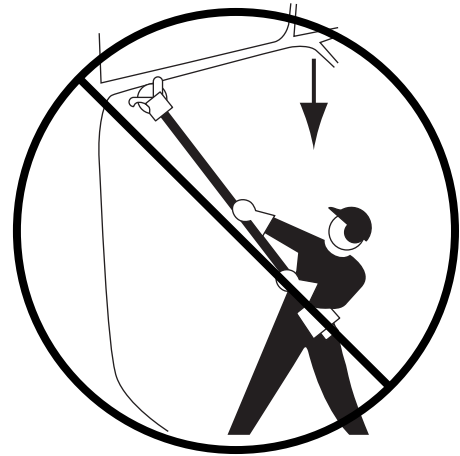


Fig. 4



Fig. 5

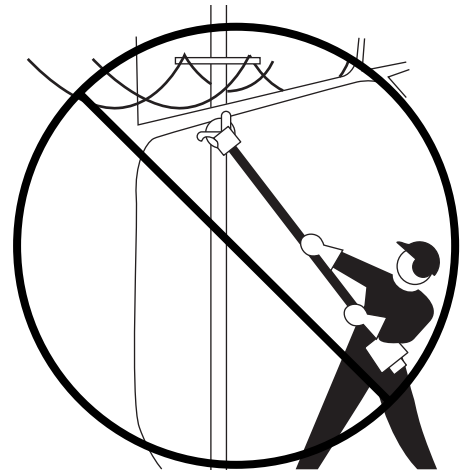


Fig. 6

OPERATING INSTRUCTIONS

OPERATING TIPS



WARNING: Blade thrust may occur when the spinning blade contacts an object that it does not immediately cut. Blade thrust can be violent enough to cause the unit and/or operator to be propelled in any direction, and possibly lose control of the unit. Blade thrust can occur without warning if the blade snags, stalls or binds. This is more likely to occur in areas where it is difficult to see the material being cut.

- Avoid blade thrust. Blade thrust can result in severe injury or death.
- Do not operate the bladed pruner while in a tree, on a ladder or any other unstable work surface, or in any awkward position. You may lose control of the bladed pruner causing severe injury.
- Do not extend your arms above shoulders when using the bladed pruner.
- Seek professional help if you are facing conditions beyond your ability.
- Trimming a tree is the process of cutting limbs from a living tree. Make sure your footing is firm. Keep your feet apart. Divide your weight evenly on both feet.

To trim a limb (pruning):



WARNING: To avoid serious personal injury, make sure you NEVER stand directly beneath the branch being cut or in the arc of its detachment.

1. Using the top edge of the blade (Fig. 7), score the bottom of the branch to a depth of up to about a half inch for Cut 1. This will help keep the bark from ripping away from the tree when the branch is cut.

NOTE: If the score is too deep, the branch will bend and bind the blade in the cut making the blade difficult to pull out.

2. Using the bottom edge of the blade (Fig. 8), align the blade with Cut 1, lower the pruner until the blade contacts the branch, and cut through the branch in one slow, steady motion (Cut 2).

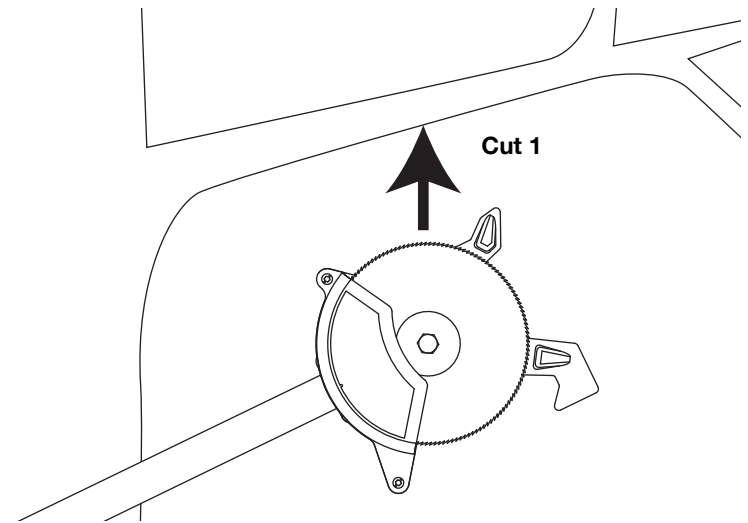


Fig. 7

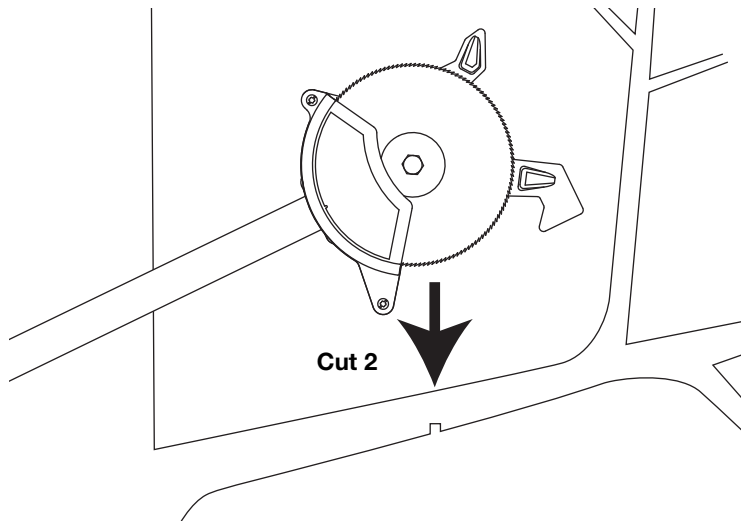


Fig. 8

MAINTENANCE AND REPAIR INSTRUCTIONS

PRUNER BLADE REPLACEMENT/INSTALLATION

The pruner blade is an expendable item not covered by the product warranty. The pruner blade is a 5.5-inch 100-tooth circular saw blade. Replacement blades (replacement part number **753-05740**) are available for purchase through Sears Parts and Repair.

Removing the Pruner Blade



WARNING: Whenever handling the pruner blade, always wear work gloves for protection against sharp cutting edges.

1. Use the provided Allen wrench to remove the screws holding the blade guard in place (Fig. 9).
2. Remove the blade guard.
3. Turn the unit so that you are looking at the end of it (Fig. 10).
4. Rotate the nut until one of the locking holes on the bushing beneath the blade aligns between the locking teeth (Fig. 10).
5. Insert the long end of the provided Allen wrench between the Locking Teeth and into the Locking Hole (Fig. 10).
6. While holding the Allen wrench in the hole, remove the nut by turning it in a **CLOCKWISE** direction with a 13 mm socket wrench.

NOTE: This nut is reverse-threaded to compensate for the rotation of the cutting blade. Be careful to turn the wrench in a **CLOCKWISE** direction to loosen the nut.

7. Remove the Allen wrench from the Locking Hole.

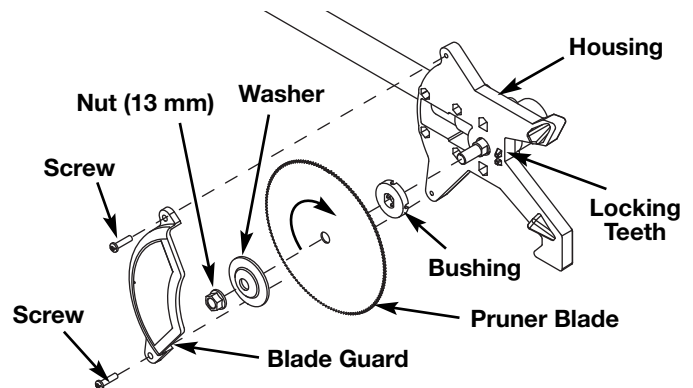


Fig. 9

8. Remove the washer and then the cutting blade. Make sure the bushing remains on the shaft.

Installing the Pruner Blade

1. Place the pruner blade on the shaft making sure that the bushing is already in place and that the directional arrow on the blade is oriented as shown in Figure 9.
2. Place the washer over the blade making sure the the convex

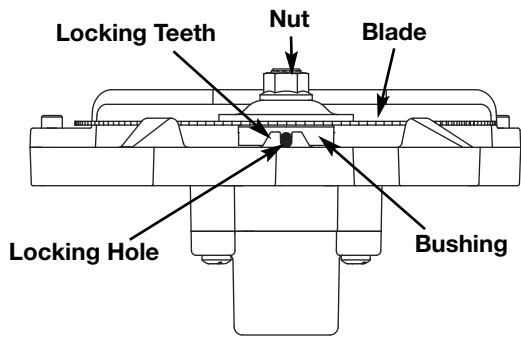


Fig. 10

side is facing away from the blade.

3. Insert the long end of the provided Allen wrench between the Locking Teeth and into the Locking Hole in the bushing (Fig. 10).
4. While holding the Allen wrench in the hole, start the nut onto the shaft by hand making sure to turn the nut **COUNTERCLOCKWISE** to tighten.
5. While continuing to hold the Allen wrench in the hole and using a 13 mm socket wrench, turn the nut in a **COUNTERCLOCKWISE** direction until tight.
6. Remove the Allen wrench from the Locking Hole.
7. Place the blade guard over the blade and align the holes in it with the holes in the housing.

8. Insert the screws into the blade guard holes and hand start them to tighten.
9. Finish tightening the screws using the provided Allen wrench.

Replacing the Pruner Blade

If you need to replace the pruner blade, you can replace it with a 5.5-inch 100-tooth circular saw blade.

CLEANING

Use a small brush to clean off the outside of the unit. Do not use strong detergents. Household cleaners that contain aromatic oils such as pine and lemon, and solvents such as kerosene, can damage plastic housing or handle. Wipe off any moisture with a soft cloth.

STORAGE

- Lock up the unit to prevent unauthorized use or damage.
- Store the unit in a dry area.
- Store the unit out of the reach of children.

LONG TERM STORAGE

1. Follow *Removing the Pruner Blade* instructions.
2. Thoroughly clean the unit and inspect for any loose or damaged parts.
3. Repair or replace damaged parts and tighten loose screws, nuts or bolts.
4. Follow *Installing the Pruner Blade* instructions to reinstall the blade and blade guard. The unit is ready for storage.

TRANSPORTING

- Secure the unit while transporting.
- Cover the blade so that the blade edges will not come into contact with anything.

SPECIFICATIONS

Approximate Operating Weight of Attachment	3.3 lbs. (1.5 kg)
Drive Shaft Length	26" (66 cm)
Cutting Width	1.5" (38 mm)

NEED MORE HELP?

You'll find the answer and more on managemyhome.com – for free!

- Find this and all your other product manuals online.
- Get answers from our team of home experts.
- Get a personalized maintenance plan for your home.
- Find information and tools to help with home projects.



brought to you by Sears

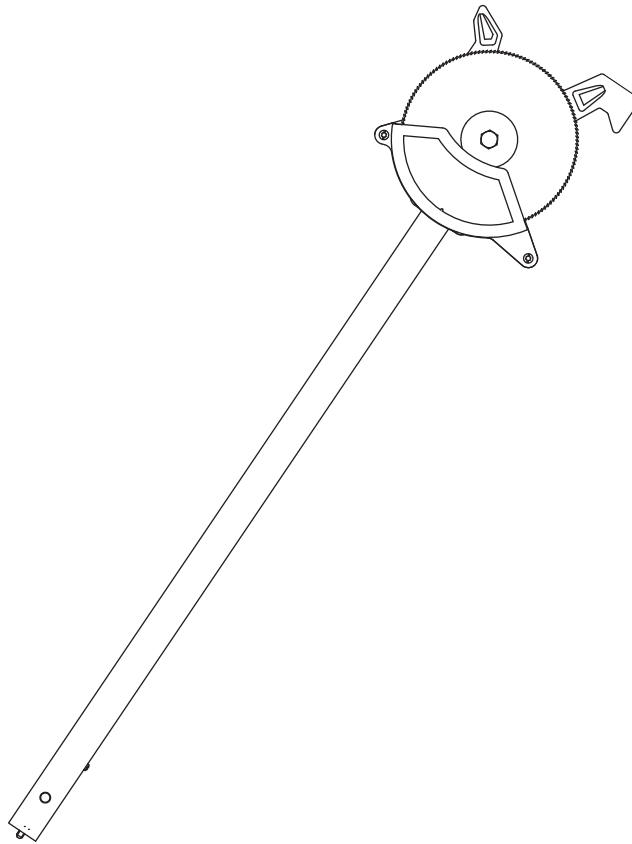
Manual del Operador



Accesorio de

PODADORA CON CUCHILLA CIRCULAR

Modelo No. 316.792480



- SEGURIDAD
- MONTAJE
- FUNCIONAMIENTO
- MANTENIMIENTO
- LISTADO DE PIEZAS

PRECAUCIÓN: Antes de utilizar este producto, lea este manual y siga todas las reglas de seguridad y las instrucciones de funcionamiento.

Sears, Roebuck and Co., Hoffman Estates, IL 60179, U.S.A.
Visite nuestro sitio web: www.sears.com/craftsman

NORMAS PARA UNA OPERACIÓN SEGURA

INDICE DE CONTENIDOS

Normas para una operación segura	E2
Garantía	E4
Conozca su unidad	E5
Instrucciones de montaje	E5
Instrucciones de operación	E6
Instrucciones de mantenimiento	E7
Limpieza y almacenamiento	E8
Especificaciones	E8
Lista de piezas	E9
Numeros de servicio	Contraportada

Antes de que empiece a ensamblar su nuevo equipo, por favor ubique la placa que contiene el modelo de la unidad y escriba esa información en el espacio en blanco aquí debajo. Aquí debajo se explica la muestra de una placa del modelo.



Copiez le numéro de modèle / pièce mère ici :

Copiez le numéro de série ici :

Lea el manual del operador y siga todas las advertencias e instrucciones de seguridad. De no hacerlo, el operador y/o los espectadores pueden sufrir graves lesiones.

SI TIENE PREGUNTAS, LLAME AL 1-800-659-5917

• IMPORTANTE INFORMACION DE SEGURIDAD •

LEA TODAS LAS INSTRUCCIONES ANTES DE OPERAR LA UNIDAD

	<p>ADVERTENCIA: Se debe seguir las siguientes reglas de seguridad cuando use la unidad. Por favor lea estas instrucciones para su propia seguridad y las de los espectadores, antes de hacer funcionar la unidad. Por favor mantenga estas instrucciones en un lugar seguro para uso futuro.</p>
--	---

- Lea con cuidado y comprenda el manual del operador de la unidad que propulsa este accesorio.
- Lea este manual de instrucciones de funcionamiento detenidamente. Familiarícese completamente con los controles y el uso apropiado del equipo. Sepa cómo apagar la unidad y desactivar los controles con rapidez.
- No opere esta unidad si está cansado, enfermo, o bajo los efectos del alcohol, drogas o medicamentos.
- Nunca permita que los niños operen la unidad. Nunca permita que adultos que no estén familiarizados con las instrucciones operen la unidad. Nunca permita que adultos operen la unidad sin los debidos conocimientos.
- Todos los dispositivos de protección y los accesorios de seguridad deben estar instalados adecuadamente antes de operar la unidad.
- Inspeccione la unidad antes de usarla. Cambie las piezas dañadas. Verifique si existen fugas de combustible. Asegúrese de que todos los sujetadores estén en su lugar y asegurados. Reemplace las piezas que estén agrietadas, astilladas o dañadas en cualquier forma. No opere la unidad si tiene piezas flojas o dañadas.
- Tenga en cuenta el riesgo de lesiones en la cabeza, manos y pies.
- Aleje a todos los niños, espectadores y animales domésticos. Mantenga todos los niños, espectadores y animales domésticos a una distancia de por lo menos 50 pies (15 m); aún así puede existir un riesgo de objetos despedidos contra los espectadores. Los espectadores deben usar protección para sus ojos. Si alguien se le acerca, pare la unidad de inmediato.

ADVERTENCIAS ESPECIALES DE SEGURIDAD PARA POWERHEADS DE GASOLINA

	<p>ADVERTENCIA: La gasolina es muy inflamable y sus gases pueden explotar si se encienden. Tome las siguientes precauciones:</p>
--	---

- Almacene el combustible solamente en recipientes diseñados y aprobados

Los símbolos de seguridad se utilizan para llamar su atención sobre posibles peligros. Los símbolos de seguridad y sus explicaciones merecen toda su atención y comprensión. Los símbolos de seguridad no eliminan ningún peligro por sí mismos. Las instrucciones o advertencias que ofrecen no substituyen las medidas adecuadas de prevención de accidentes.

SIMBOLO	SIGNIFICADO
	<p>PELIGRO: El no obedecer una advertencia de seguridad puede conducir a que usted u otras personas sufran graves lesiones. Siga siempre las precauciones de seguridad para reducir el riesgo de incendio, descarga eléctrica y lesiones personales.</p>
	<p>ADVERTENCIA: El no seguir una advertencia de seguridad puede conducir a que usted u otras personas sufran lesiones. Siga siempre las precauciones de seguridad para reducir el riesgo de incendio, descarga eléctrica y lesiones personales.</p>
	<p>PRECAUCIÓN: El no seguir una advertencia de seguridad puede conducir a daño patrimonial o a que usted u otras personas sufran lesiones personales. Siga siempre las precauciones de seguridad para reducir el riesgo de incendio, descarga eléctrica y lesiones personales.</p>
	<p>ALERTA DE SEGURIDAD: Indica peligro, advertencia o precaución. Debe prestar atención para evitar sufrir graves lesiones personales. Puede ser utilizado junto con otros símbolos o figuras.</p>



PELIGRO: El no obedecer una advertencia de seguridad puede conducir a que usted u otras personas sufran graves lesiones. Siga siempre las precauciones de seguridad para reducir el riesgo de incendio, descarga eléctrica y lesiones personales.



ADVERTENCIA: El no seguir una advertencia de seguridad puede conducir a que usted u otras personas sufran lesiones. Siga siempre las precauciones de seguridad para reducir el riesgo de incendio, descarga eléctrica y lesiones personales.



PRECAUCIÓN: El no seguir una advertencia de seguridad puede conducir a daño patrimonial o a que usted u otras personas sufran lesiones personales. Siga siempre las precauciones de seguridad para reducir el riesgo de incendio, descarga eléctrica y lesiones personales.



ALERTA DE SEGURIDAD: Indica peligro, advertencia o precaución. Debe prestar atención para evitar sufrir graves lesiones personales. Puede ser utilizado junto con otros símbolos o figuras.

REMARQUE: Le ofrece información o instrucciones que son esenciales para la operación o mantenimiento del equipo.

específicamente para el almacenamiento de dichos materiales.

- Pare siempre el motor y deje que se enfríe antes de llenar el tanque de combustible. Nunca quite la tapa del tanque de combustible, ni agregue combustible, cuando el motor esté caliente. No opere nunca la unidad sin la tapa del combustible colocada firmemente en su lugar. Afloje la tapa del tanque de combustible lentamente para disipar la presión del tanque.
- Evite crear un posible incendio por combustible derramado. No arranque el motor hasta que se hayan disipado los vapores del combustible.
- Aleje siempre la unidad a por lo menos 30 pies (9.1 m) de la fuente y sitio de combustible antes de arrancar el motor. No fume. Mantenga las chispas y las llamas vivas alejadas del área mientras añada combustible o esté operando la unidad.
- Nunca arranque ni opere la unidad dentro de una sala o edificio cerrado. Respirar los vapores de escape puede causarle la muerte. Haga funcionar esta unidad solamente en un área exterior bien ventilada.

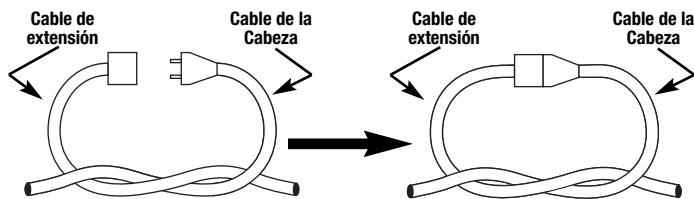
ADVERTENCIAS DE SEGURIDAD ESPECIALES PARA LAS UNIDADES MOTRICES

	<p>ADVERTENCIA: Para reducir el riesgo de descarga eléctrica, use sólo cables de extensión aprobados para ser usados en exteriores, como los cables de extensión tipo SW-A, SOW-A, STW-A, STOW-A, SJW-A, SJOW-A, SJTW-W o SJTOW-A. Puede adquirir cables de extensión en su distribuidor local. Use sólo cables de extensión de camisa cilíndrica aprobados para ser usados en exteriores.</p>
--	---

- **CABLES DE EXTENSIÓN:** Verifique que su cable de extensión esté en buenas condiciones. Cuando utilice un cable de extensión, verifique que el mismo sea lo suficientemente grueso para conducir la corriente que consume la unidad. Si utiliza un cable demasiado delgado, eso ocasionará una caída de voltaje de la línea, y en consecuencia, una pérdida de potencia y recalentamiento. Lea el manual del operador de la unidad que accionará este accesorio para informarse acerca del tamaño recomendado de cable de extensión.
- Inspeccione con frecuencia todos los cables de extensión y la conexión de la unidad a la corriente. Revise con cuidado para ver si hay deterioros, cortes o grietas en el aislamiento. Inspeccione también las conexiones para ver si han sufrido daños. Cambie los cables si observa algún defecto o daño.
- Evite la desconexión del cable de extensión del cabezal motorizado de la cortadora de setos durante el funcionamiento, utilizando un retenedor de enchufe-receptáculo, conector o haciendo un nudo

NORMAS PARA UNA OPERACIÓN SEGURA

como se muestra aquí debajo:



PELIGRO: PELIGRO DE CORTE O DESCARGA - Mantenga las manos lejos de las cuchillas. Mantenga una mano en el mango auxiliar del cabezal motorizado y en el mango curvo del aditamento cuando la unidad esté prendida. No intente quitar el material cortándolo ni sostener el material a cortar cuando las cuchillas estén en movimiento. Compruebe que el interruptor de la unidad motorizada esté apagado cuando despeje el material atascado en las cuchillas. Use guantes cuando manipule la cuchilla. **No haga funcionar la unidad con una mano.**

- Evite los ambientes peligrosos. No opere nunca su unidad en ambientes húmedos ni mojados. La humedad representa un peligro de descarga eléctrica.
- No use la unidad bajo la lluvia. No la use dentro del agua ni alrededor de ella.
- No toque el enchufe ni la unidad con las manos mojadas ni cuando esté parado sobre una superficie mojada.
- No deje la unidad enchufada mientras no la use, mientras cambie los accesorios o aditamentos, ni mientras le haga mantenimiento.

PROCEDIMIENTOS DE OPERACIÓN DE SIERRAS DE PÉRTIGAS

- Mantenga a los espectadores, especialmente a los niños y animales domésticos, a una distancia de al menos 50 pies (15 m).
- Use espejuelos o gafas de seguridad que estén marcados como que cumplen con las normas ANSI Z87.1-1989. Use protección para las orejas/audición y equipos de protección para la cabeza cuando opere esta unidad. Se recomienda usar zapatos que no resbalen cuando trabaje en exteriores. Póngase una redecilla para contener el cabello largo. Use siempre una máscara facial o para protegerse contra el polvo si la operación levanta polvo.
- Asegúrese de que el accesorio de corte no esté haciendo contacto con ningún objeto antes de poner en marcha la unidad.
- Use pantalones largos y gruesos, botas, guantes y camisa de mangas largas. No use ropa holgada, alhajas, pantalones cortos, sandalias ni esté descalzo. Sostenga el cabello sobre el nivel de los hombros.
- Use la unidad únicamente con la luz del día o con buena luz artificial.
- Use la herramienta correcta. Use esta herramienta solamente para el propósito debido.
- Siempre apague el motor cuando se aplace el trabajo o cuando camine de un punto a otro.
- Use únicamente piezas de repuesto y accesorios del fabricante original para esta unidad. Se encuentran disponibles en el distribuidor autorizado. El uso de piezas o accesorios que no sean genuinos puede ocasionarle lesiones graves al usuario o dañar la unidad y anular la garantía.
- No intente tocar o parar la cuchilla cuando esté girando.
- Una cuchilla girando por inercia puede causar lesiones mientras continúa girando después de que se ha parado el motor o se ha soltado el gatillo del regulador. Mantenga el control adecuado hasta que la cuchilla haya dejado de girar completamente.
- No haga funcionar la unidad a alta velocidad cuando no esté cortando.
- Si golpea o se enreda con un objeto extraño pare el motor de inmediato y compruebe si ha habido algún daño. Repare todos los daños antes de volver a intentar operar la unidad. No opere la unidad con una cuchilla doblada, agrietada o roma. Deseche las cuchillas dobladas, deformadas, agrietadas o rotas.
- No afile la cuchilla de corte. Reemplace la cuchilla.
- Use la podadora de sierra circular solamente para el propósito descrito en este manual.
- Pare el motor de INMEDIATO si siente demasiada vibración. La vibración indica que hay problemas. Inspeccione bien si hay tuercas o pernos flojos o algún daño antes de continuar. Repare o reemplace las piezas afectadas según sea necesario.

PRECAUCIONES DE EMPUJE DE LA CUCHILLA



ADVERTENCIA: Se puede producir un empuje de la cuchilla cuando entre en contacto con un objeto mientras está girando y no lo corta de inmediato. El empuje de la cuchilla puede ser lo suficientemente violento para ocasionar que la unidad y/o el operador sea lanzada(o) en cualquier dirección, y posiblemente pierda el control de la unidad. El empuje de la cuchilla puede producirse sin aviso si la cuchilla se desbasta, se atasca o se dobla. Esto es más probable que ocurra en áreas en las que es difícil ver el material que se está cortando.

- Con una comprensión básica del empuje de la cuchilla, usted puede reducir o eliminar el elemento de sorpresa. Las sorpresas momentáneas contribuyen a los accidentes.
- Haga el corte siempre con el motor funcionando a plena velocidad. Oprima completamente el Gatillo del regulador y mantenga una velocidad de corte uniforme.
- No se estire demasiado. Mantenga siempre una posición y equilibrio adecuados.
- Sostenga la unidad con ambas manos cuando la opere. Mantenga un agarre firme sobre ambas manijas.
- Mantenga las manos, la cara y los pies lejos de todas las partes móviles. No intente tocar ni detener el accesorio de corte mientras gira.
- Mantenga la unidad limpia de vegetación y otros materiales. Los mismos se atascan entre la cuchilla y el protector de la cuchilla.

OTRAS PRECAUCIONES DE SEGURIDAD

- NO opere una podadora de sierra circular con una sola mano. La operación de la unidad con una sola mano puede conducir a lesiones graves para el operador, los ayudantes u otras personas que se encuentren en las inmediaciones. La podadora de sierra circular está diseñada para usarse con las dos manos.
- Mantenga limpia el área de trabajo. Las áreas de trabajo sucias pueden provocar lesiones. No comience a cortar hasta que tenga un área de trabajo limpia, tenga una pisada firme, y una zona de retirada planificada de las ramas que caen.
- Manténgase alerta. Proceda con cautela. Utilice el sentido común. No opere la podadora de sierra circular cuando esté cansado. Cuando el motor esté funcionando, mantenga todas las partes del cuerpo alejadas de la cuchilla. Antes de arrancar la cuchilla, asegúrese de que la hoja de la cuchilla no haga contacto con ningún objeto.
- Desconecte la podadora de sierra circular cuando no la use, antes de dar mantenimiento, y cuando cambie las cuchillas.
- Compruebe las piezas dañadas. Antes de continuar utilizando la podadora de sierra circular, se deberá comprobar cualquier protector u otra pieza que esté dañada a fin de determinar si la misma funcionará debidamente y realizará sus funciones. Compruebe la alineación de las partes en movimiento, el atasco de las partes en movimiento, rotura de piezas, montaje y cualquier otra condición que pueda afectar su operación. Un protector o cualquier otra pieza que esté dañada debe ser debidamente reparada o reemplazada por un centro de servicio autorizado, a menos que se indique lo contrario en este manual de instrucciones.
- No opere una podadora de sierra circular en un árbol a menos que usted haya recibido instrucciones específicamente para hacerlo. Cuando corte una rama que se encuentra bajo tensión esté alerta a la posibilidad de que ésta salte de vuelta a su posición original; puede golpearlo cuando se libera la tensión de las fibras de la madera.
- No exponga la podadora de sierra circular a la lluvia. No utilice la podadora de sierra circular en lugares húmedos o mojados.
- No utilice la podadora de sierra circular en presencia de líquidos o gases inflamables.
- Todos los trabajos de mantenimiento de la podadora de sierra circular, excepto aquellos que se explican en las instrucciones de seguridad y mantenimiento del manual del usuario, deben ser hechos por personal calificado en podadoras de sierras circulares. No trate de repararla usted mismo; la unidad no tiene piezas dentro que puedan ser reparadas por el usuario.
- La podadora de sierra circular realizará un trabajo mejor y más seguro a la velocidad para la cual fue diseñada.
- Use la herramienta correcta. Corte madera solamente. No use la podadora de sierra circular para fines para los cuales no ha sido diseñada. Por ejemplo, no use la hoja podadora de sierra circular para cortar plástico, mampostería o materiales que no sean de construcción.
- No haga funcionar una podadora de sierra circular que esté dañada, incorrectamente ajustada, o que no esté completamente ensamblada con seguridad. Asegúrese de que la cuchilla se detenga de girar cuando se suelta el gatillo.
- No intente realizar operaciones más allá de su capacidad o experiencia.
- Nunca quite, modifique o haga que no funcione ningún dispositivo provisto con su unidad.
- Esta cuchilla está diseñada para ser usada de manera poco frecuente por propietarios de casas, de cabañas y de casas motorizadas, así como para aplicaciones generales como limpieza, poda, corte de malezas, etc. No está diseñada para uso prolongado. Si se piensa utilizar durante prolongados períodos de operación, puede ocasionar problemas circulatorios en las manos del usuario debido a la vibración. Es posible que sea inadecuado utilizar una sierra que tenga una función contra la vibración.
- La ropa de seguridad requerida por sus organizaciones de seguridad, reglas gubernamentales, o su empleador deben ser usadas; de lo contrario, debe ponerse ropa que quede ajustada, zapatos de seguridad y protección para las manos y los oídos.
- Nunca toque la cuchilla ni intente dar servicio a la unidad mientras el motor esté funcionando. Asegúrese de que todas las partes en

NORMAS PARA UNA OPERACIÓN SEGURA

movimiento se hayan detenido. Deje que la cuchilla se enfríe ya que puede estar caliente.

- Asegúrese de que la cuchilla esté bien apretada. Inspeccione visualmente la cuchilla para ver si está dañada. Repare el daño antes de volver a arrancar y hacer funcionar la unidad.
- No corte cerca de cables ni líneas eléctricas.
- No utilice la podadora de sierra circular para cortar un árbol. Use una sierra de cadenas estándar para esta tarea.

MANTENIMIENTO Y ALMACENAJE

- Deje que el motor se enfríe antes de almacenarlo o transportarlo. Cerciórese de asegurar la unidad al transportarla.

- Guarde la unidad bajo llave en un lugar adecuado y seco para evitar que sea usada por personas no autorizadas y se dañe, fuera del alcance de los niños.
- Nunca moje ni rocíe la unidad con agua ni con ningún otro líquido. Mantenga las manijas secas, limpias y sin residuos. Limpíela después de usarla. Vea la sección *Limpieza y Almacenamiento*.
- Guarde estas instrucciones. Consúltelas con frecuencia y utilícelas para enseñar a otros usuarios. Si le presta esta unidad a alguien, préstele también estas instrucciones.
- Solamente el personal calificado debe realizar las reparaciones o efectuar los trabajos de mantenimiento que no se describen en este manual.

GUARDE ESTAS INSTRUCCIONES

• SIMBOLOS DE SEGURIDAD E INTERNACIONALES •

Este manual del operador describe los símbolos y figuras de seguridad e internacionales que pueden aparecer en este producto. Lea el manual del operador para obtener información completa acerca de la seguridad, ensamble, operación y mantenimiento y reparación.

SÍMBOLO SIGNIFICADO

	<ul style="list-style-type: none"> • SIMBOLO DE ALERTA DE SEGURIDAD Indica peligro, advertencia o precaución. Puede ser utilizado junto con otros símbolos o figuras.
	<ul style="list-style-type: none"> • LEA EL MANUAL DEL OPERADOR ADVERTENCIA: Lea el manual del operador y siga todas las advertencias e instrucciones de seguridad. De no hacerlo, el operador y/o los espectadores pueden sufrir graves lesiones.
	<ul style="list-style-type: none"> • USE PROTECCIÓN OCULAR Y AUDITIVA ADVERTENCIA: Los objetos arrojados por la unidad y el ruido fuerte pueden causar graves lesiones oculares y pérdida auditiva. Utilice protección ocular que cumpla con las normas ANSI Z87.1-1989 y protección auditiva cuando opere esta unidad. Use una careta completa cuando la necesite.
	<ul style="list-style-type: none"> • SUPERFICIE CALIENTE ADVERTENCIA: No toque una superficie que esté caliente. Puede quemarse. Estas partes se calientan mucho con el uso. Luego de apagarse permanecen calientes durante un corto tiempo.

SÍMBOLO SIGNIFICADO

	<ul style="list-style-type: none"> • USE AMBAS MANOS Use siempre ambas manos al operar la podadora con hoja circular. Nunca opere la sierra con una sola mano.
	<ul style="list-style-type: none"> • MANTENGA ALEJADOS A LOS ESPECTADORES ADVERTENCIA: Mantenga retirados a los espectadores, especialmente a los niños y animales domésticos por lo menos a 15 m (50 ft) de distancia.
	<ul style="list-style-type: none"> • LAS LÍNEAS DE CORRIENTE ELÉCTRICA PUEDEN OCASIONAR LESIONES GRAVES ADVERTENCIA: No opere la unidad cerca de líneas de corriente eléctrica. El contacto con una línea de corriente eléctrica puede ocasionar lesiones graves o dañar la unidad. Mantenga una separación de al menos 50 pies (15 metros) entre la sierra de pértiga (incluyendo cualquier rama con la que esté en contacto) y cualquier línea de corriente eléctrica.

GARANTÍA

GARANTÍA TOTAL DE CRAFTSMAN

Si este producto Craftsman falla debido a un defecto en el material o en la mano de obra dentro de un período de uno año a partir de la fecha de compra, devuélvalo a cualquier tienda Sears u otro establecimiento de Craftsman en Estados Unidos para que sea reemplazado sin costo alguno. Esta garantía tiene vigencia solamente por 90 días a partir de la fecha de compra si este producto se usa para fines comerciales o de alquiler.

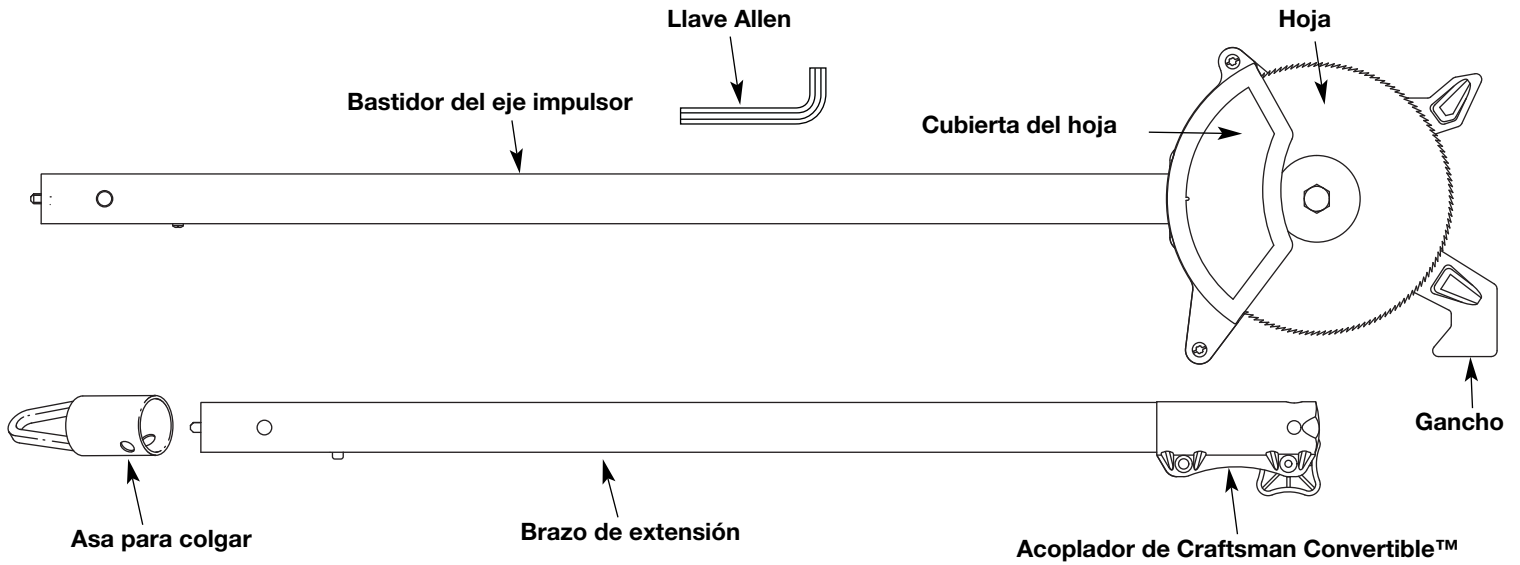
Esta garantía abarca SOLAMENTE los defectos en el material o en la mano de obra. Sears NO pagará:

- Las cuchillas de la podadora que son artículos consumibles que se desgastan debido al uso normal dentro del período de garantía.
- Las reparaciones necesarias debidas a accidente así como por no operar o no mantener el equipo de acuerdo con todas las instrucciones provistas.

Esta garantía le concede a usted derechos legales específicos, y usted pudiera tener otros derechos que varían de un estado a otro.

Sears, Roebuck and Co., Hoffman Estates, IL 60179

CONOZCA SU UNIDAD



INSTRUCCIONES DE MONTAJE

INSTALACIÓN / REMOCIÓN DEL ACCESORIO

ADVERTENCIA: Lea y comprenda el manual del operador de los accesorios antes de su operación.

El accesorio de la podadora de sierra circular puede instalarse en diferentes herramientas motorizadas. Los manuales de instrucción para la herramienta motorizada básica y el accesorio contienen la información necesaria para la operación de las herramientas motorizadas combinadas. Por lo tanto, lea siempre **AMBOS** manuales de instrucción antes de usar la herramienta motorizada por primera vez. Guarde los manuales en un lugar seguro para consultas futuras.

NOTA: Para facilitar la instalación o remoción de los accesorios, ponga la unidad sobre el suelo o sobre un banco de trabajo.

ADVERTENCIA: Para evitar graves lesiones personales, apague la unidad antes de sacar o instalar accesorios.

Remoción del accesorio:

1. Para aflojarlo, gire el botón en el sentido opuesto al de las manecillas del reloj (Fig. 1).

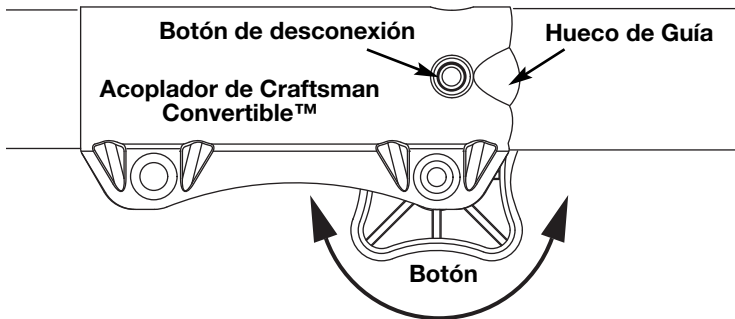


Fig. 1

2. Oprima y sostenga oprimido el botón de liberación (Fig. 1).
3. Mientras sostiene con firmeza el bastidor del eje superior, tire del accesorio de jardín hacia afuera del acoplador (Fig. 2).

Instalación del accesorio:

1. Quite el colgador o el tapa para transporte de encima de la cubierta del eje.
2. Apriete el botón girándolo hacia la derecha (Fig. 1).
3. Mientras sostiene el accesorio con firmeza, empújelo en línea recta en el acoplador (Fig. 2).

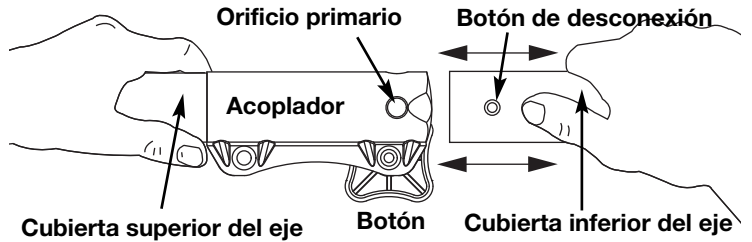


Fig. 2

NOTA: La alineación del botón de desconexión con la guía ayuda en la instalación (Fig. 1).

ADVERTENCIA: Para evitar lesiones personales graves y daños a la unidad, **NUNCA** instale más de una pluma de extensión a una herramienta motorizada.

4. Apriete el botón girándolo hacia la derecha (Fig. 3).

PRECAUCIÓN: Trabe el botón de desconexión en el orificio primario (Fig. 2) y ajuste bien la perilla antes de operar esta unidad.

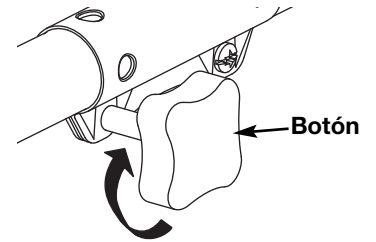


Fig. 3

5. Repita los pasos 1-4 para los siguientes accesorios o de la extensión.

PRECAUCIÓN: Los accesorios deben ser usados en el orificio primario. El usar el orificio incorrecto puede conducir a lesiones personales o daño de la unidad.

El accesorio deberá instalarse con el botón de desconexión en el orificio primario.

Inspeccione el acoplamiento del eje acodado antes de usar la unidad

1. Arranque la unidad.
2. Enganche y suelte el gatillo brevemente.
3. Verifique que el accesorio esté funcionando.
4. Si el accesorio no está funcionando, retire el accesorio y repita los pasos para su instalación.
5. Vuelva a verificar el funcionamiento del accesorio.

INSTRUCCIONES DE OPERACIÓN

PRECAUCIONES DE CORTE



ADVERTENCIA: Vista en forma adecuada para reducir el riesgo de lesiones cuando opere esta unidad. No use ropa holgada ni alhajas. Use protección ocular y auditiva. Use pantalones largos y gruesos, botas y guantes. No use pantalones cortos, sandalias ni trabaje descalzo.

1. Mantenga a espectadores 15 metros (50 pies) lejos cuando este operando la herramienta.
2. No use la motosierra telescópica para derrumbar arboles. Use para esto la motosierra.
3. Asegúrese de que el tanque de aceite esté lleno y de que el aceite esté lubricando la cadena antes de arrancar.
4. Sujete el tubo de la motosierra firmemente-una mano en el tubo, otra en el maneral.
5. Mantenga su dedo lejos del gatillo interruptor hasta estar listo para hacer el corte.
6. Antes de encender su motosierra telescópica, asegúrese que la cadena de corte no esta tocando nada.
7. Mantenga todas las partes del cuerpo alejadas de la cadena de corte cuando su motosierra este en funcionamiento.
8. No force la motosierra cuando este cortando. Aplique una presión ligera. Hara el trabajo mejor y mas seguro.
9. Cuando este cortando ramas que se encuentren bajo tensión, use extrema precaución. Este alerta a el resorte de las ramas. Cuando la rama se libere, esta pudiera regresar intempestivamente y golpear al operador causandole severas lesiones o hasta la muerte.
10. Cuando transporte la motosierra telescópica de un lugar a otro:
 - mantenga el tubo en posición balanceada cerca de la unidad de poder
 - mantenga la barra guía y la cadena hacia atrás
11. No corte maleza o arbustos con la motosierra telescópica. Las ramas delgadas de la maleza o arbustos pudieran enredarse en la unidad de corte y pudieran regresar intempestivamente hacia usted causandole lesiones o la posibilidad de que pierda el balance.
12. Nunca se pare directamente por debajo de la rama que esta podando. Siempre posicionese fuera de la trayectoria de caída de dichas ramas (Fig. 4).
13. Nunca se pare en una escalera o otro tipo de soporte inestable cuando utilice la motosierra telescópica.
14. Siempre use ambas manos al operar su motosierra telescópica. Mantenga una presión firme y constante en la motosierra telescópica mientras este cortando pero no trate de forzar la sierra a traves de la madera.
15. **No use la sierra de poste para cortar ramas de mas de 38 mm (1.5 pulg.) de diámetro.**
16. Mantenga a las otras personas alejadas de la zona de corte y de la motosierra telescópica (Fig. 5).
17. No utilice su motosierra telescópica cerca de cables, cables electricos, o líneas telefonicas. Mantenga una mínima distancia de 15 metros (50 pies) de cualquier cable electrico (Fig. 6).

INSTRUCCIONES DE ARRANQUE



ADVERTENCIA: Para disminuir el riesgo de incendio y lesiones por quemaduras, arranque al motor al menos a 30 pies (9.1 metros) del sitio de aprovisionamiento de combustible, en exteriores solamente.

Arranque y opere su sierra de pértiga sin ayuda. Para conocer instrucciones precisas para el arranque, vea la sección adecuada de su manual del motor. Los métodos de arranque adecuados reducen el riesgo de lesiones.

1. Coloque la sierra de pértiga en tierra firme u otra superficie sólida en un área abierta.
2. Mantenga buen equilibrio y los pies firmes en el suelo.

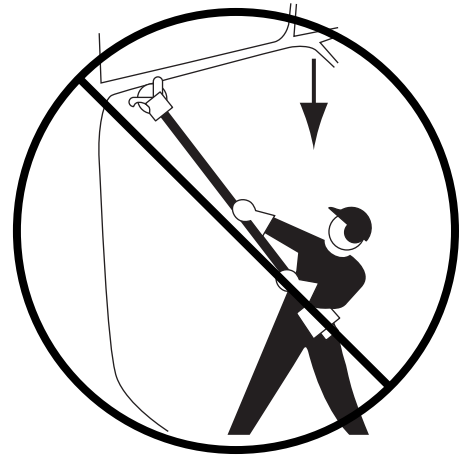


Fig. 4



Fig. 5

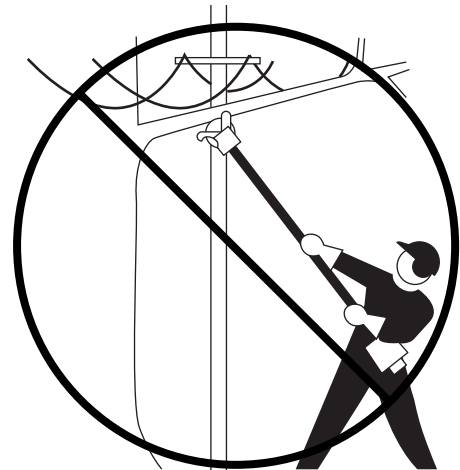


Fig. 6

INSTRUCCIONES DE OPERACIÓN

SUGERENCIAS DE OPERACIÓN



ADVERTENCIA: Se puede producir un empuje de la cuchilla cuando entre en contacto con un objeto mientras está girando y no lo corta de inmediato. El empuje de la cuchilla puede ser lo suficientemente violento para ocasionar que la unidad y/o el operador sea lanzada(o) en cualquier dirección, y posiblemente pierda el control de la unidad. El empuje de la cuchilla puede producirse sin aviso si la cuchilla se desbasta, se atasca o se dobla. Esto es más probable que ocurra en áreas en las que es difícil ver el material que se está cortando.

- Evite el efecto de reculado. Este efecto de reculado pudiera causar graves lesiones o la muerte.
- No opere la unidad mientras este sobre un árbol, en una escalera o cualquier otra superficie inestable, o en una posición incómoda. Pudiera perder el control de la unidad causando graves lesiones.
- No extienda sus brazos más allá de sus hombros cuando use la unidad.
- Solicite ayuda profesional si ve que el trabajo que necesita hacer está fuera de sus posibilidades.
- Podar un árbol es el proceso de cortar las ramas de un árbol vivo. Asegúrese que está bien parado. Mantenga sus pies separados, Divida su peso en los dos pies.

Para cortar una rama (poda):



ADVERTENCIA: Para evitar lesiones personales graves, asegúrese de NUNCA pararse directamente detrás de la rama que se está cortando o en el arco de su esprendimiento.

1. Usando el borde superior de la hoja (Fig. 7), haga una ranura en la parte inferior de la rama a una profundidad de aproximadamente media pulgada para el Corte 1. Esto ayudará a evitar que se desgarre la corteza del árbol cuando se corte la rama.

NOTA: Si la ranura es demasiado profunda, la rama se doblará y atascará la cuchilla en el corte haciendo difícil sacar la cuchilla.

2. Usando el borde inferior de la cuchilla (Fig. 8), alinee la cuchilla con el Corte 1, baje la sierra hasta que la hoja haga contacto con la rama, y corte la rama en un movimiento lento pero firme (Corte 2).

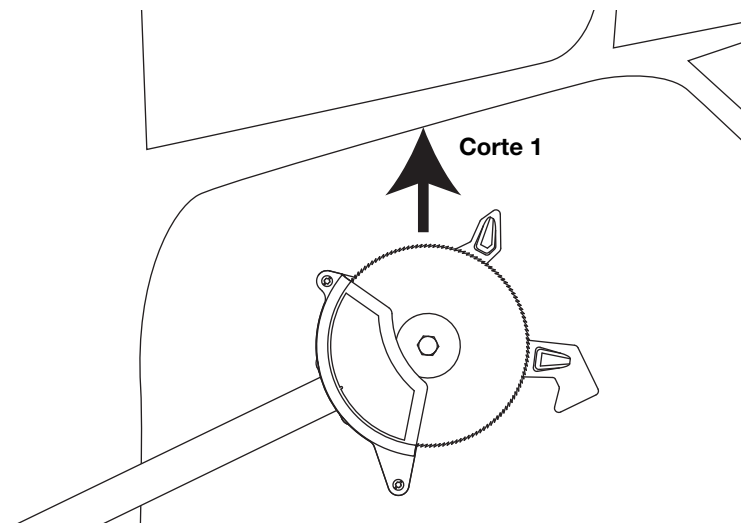


Fig. 7

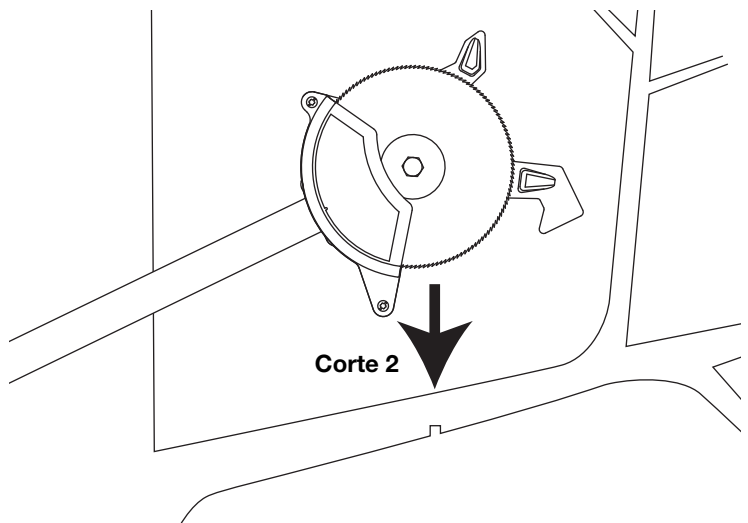


Fig. 8

INSTRUCCIONES DE MANTENIMIENTO Y REPARACIÓN

REEMPLAZO/INSTALACIÓN DE LA HOJA DE LA CUCHILLA

La podadora de sierra circular es un producto que se desgasta que no está cubierto por la garantía del producto. La cuchilla de la podadora es una hoja de sierra circular de 5.5 pulgadas y 100 dientes. No use ningún otro tipo de cuchilla. Las hojas de reemplazo (p/n 753-05740) están a la venta a través del Centro de Servicio de Piezas y Reparaciones Sears.

Como sacar la hoja de la cuchilla



ADVERTENCIA: Cada vez que manipule la hoja de la cuchilla, póngase siempre guantes de trabajo para protegerse de los bordes de corte afilados.

1. Use la llave Allen provista para quitar los tornillos que sujetan el protector de la hoja en su lugar (Fig. 9).
2. Quite el protector de la hoja.
3. Gire la unidad de manera que mire al extremo de la misma (Fig. 10).
4. Haga girar la hoja hasta que uno de los orificios de traba del buje que se encuentra debajo de la hoja quede alineado entre los dientes de traba (Fig. 10).
5. Inserte el extremo largo de la llave Allen provista entre los dientes de traba y el orificio de traba (Fig. 10).
6. Mientras sostiene la llave Allen en el orificio, quite el Tornillo de Tuerca haciéndolo girar hacia la **DERECHA** con una llave de cubo de 13 mm.

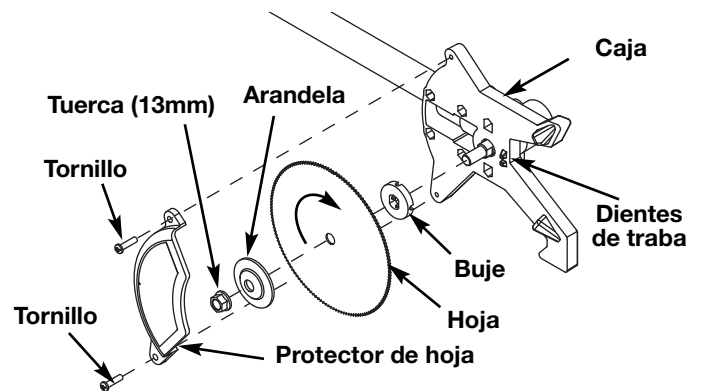


Fig. 9

NOTA: Esta tuerca tiene la rosca invertida para compensar la rotación de la hoja de corte. Tenga cuidado de girar la hoja de los Dientes de Traba hacia la **DERECHA** para aflojar la tuerca.

7. Saque la llave Allen del Agujero de Traba.
8. Saque la arandela y luego la hoja de corte. Asegúrese de que el buje permanezca en el eje.

Instalación de la hoja de la cuchilla

1. Coloque la hoja de la cuchilla en el eje asegurándose de que el

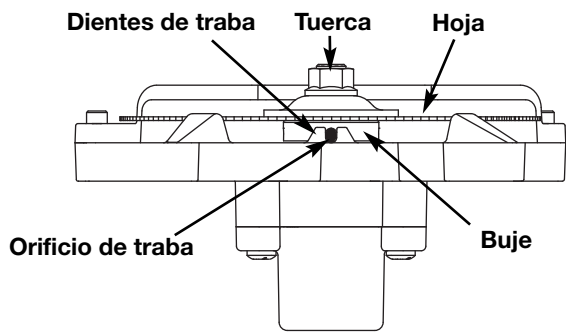


Fig. 10

buje ya esté colocado.

2. Coloque la arandela sobre la hoja asegurándose de que el lado convexo miren en sentido contrario a la hoja.
3. Inserte el extremo largo de la llave Allen provista entre los Dientes de Traba y el Agujero de Traba en el buje (Fig. 9).
4. Mientras sujeta la llave Allen en el agujero, comience a enroscar la tuerca en el eje con la mano asegurándose de enroscar la tuerca hacia la **IZQUIERDA** para apretar.
5. Mientras sujeta la llave Allen en el orificio y utilizando una llave de cubo de 13 mm, haga girar la tuerca hacia la **IZQUIERDA** hasta que quede apretada.
6. Saque la llave Allen del Orificio de Traba.
7. Coloque el protector de la hoja sobre la hoja y alinee los orificios que tiene con los orificios en la caja.
8. Inserte los tornillos en los orificios del protector de la hoja y apriételos con la mano.

9. Termine de apretar los tornillos usando la llave Allen provista.

Reemplazo de la hoja de la cuchilla

Si necesita sustituir la hoja, puede reemplazarla por una de 5,5 pulgadas y 100 diente hoja circular.

LIMPIEZA

Use un cepillo pequeño para limpiar la parte exterior de la unidad. No utilice detergentes fuertes. Los limpiadores caseros que contienen aceites aromáticos como el pino y limón, y los disolventes como el queroseno, pueden dañar la caja de plástico o la manija. Limpie la humedad con un paño suave.

ALMACENAMIENTO

- Cierre la unidad con llave para evitar el uso no autorizado o que se dañe.
- Guarde la unidad en un local seco.
- Guarde la unidad fuera del alcance de los niños.

ALMACENAMIENTO A LARGO PLAZO

1. Siga las instrucciones "Reemplazo de la hoja de la sierra".
2. Limpie bien la unidad e inspeccione si hay piezas sueltas o dañadas.
3. Repare o reemplace las piezas dañadas y apriete los tornillos, tuercas o pernos sueltos.
4. Siga las instrucciones de Instalación de la hoja de la cuchilla para volver a instalar la hoja y el protector de la hoja. La unidad está lista para guardarse.

TRANSPORTE

- Asegure la unidad mientras la transporte.
- Cubra la hoja de manera que los bordes de la hoja no toquen con ningún objeto.

ESPECIFICACIONES

Peso del Accesorio	1,5 kg (3,3 lbs.)
Longitud del Eje Conductor	66 cm (26 pulg)
Anchura de Corte	38 mm (1,5 pulg)

¿NECESITA MÁS AYUDA?

Encontrará la respuesta y mucho más en managemyhome.com – gratis!

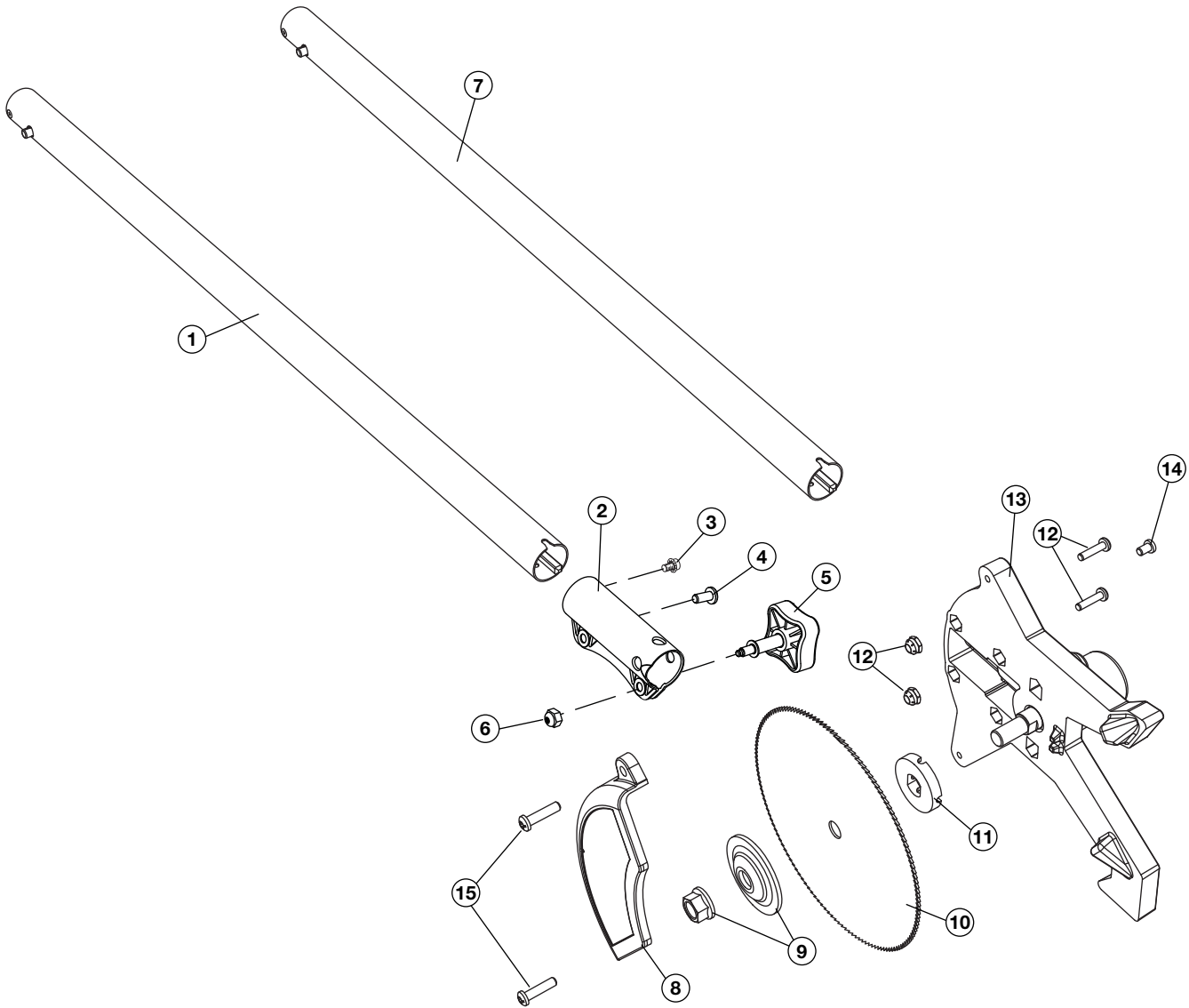
- Busque este y todos sus demás manuales de productos en línea.
- Obtenga respuestas de nuestros expertos en productos para el hogar.
- Reciba un plan de mantenimiento personalizado para su hogar.
- Encuentre la información y las herramientas que le ayudarán en sus proyectos para su hogar.

manage my home

presentado por Sears

PARTS LIST

**REPLACEMENT PARTS - MODEL 316.792480
BLADED PRUNER ATTACHMENT**



Item	Part No.	Description
1	753-04352	Extension Boom
2	753-1190	Split Boom Coupler (includes 3-6)
3	791-182057	Screw
4	791-181617	Bolt
5	791-181981	Adjustment Knob
6	753-04386	Knob Retaining Nut
7	753-05724	Drive Shaft Housing Assembly
8	753-05763	Blade Cover (includes 15)
9	753-05739	Blade Retaining Kit
10	753-05740	Blade
11	753-05741	Blade Spacer
12	791-182425	Tube Mounting Hardware
13	753-05742	Gearbox Assembly (includes 12, 14 & 15)
14	791-180288	Anti-Rotation Screw
15	753-05743	Screw
*	Not Shown	
*	791-612605	Hanger
*	753-05744	Wrench

Get it fixed, at your home or ours!

Your Home

For expert troubleshooting and home solutions advice:

manage my home

www.managemyhome.com

For repair – **in your home** – of **all** major brand appliances, lawn and garden equipment, or heating and cooling systems, **no matter who made it, no matter who sold it!**

For the replacement parts, accessories and owner's manuals that you need to do-it-yourself.

For Sears professional installation of home appliances and items like garage door openers and water heaters.

1-800-4-MY-HOME[®] (1-800-469-4663)

Call anytime, day or night (U.S.A. and Canada)

www.sears.com www.sears.ca

Our Home

For repair of carry-in items like vacuums, lawn equipment, and electronics, call anytime for the location of your nearest

Sears Parts & Repair Service Center

1-800-488-1222 (U.S.A.) **1-800-469-4663** (Canada)

www.sears.com www.sears.ca

To purchase a protection agreement on a product serviced by Sears:

1-800-827-6655 (U.S.A.) **1-800-361-6665** (Canada)

Para pedir servicio de reparación a domicilio, y para ordenar piezas:

1-888-SU-HOGAR[®]

(1-888-784-6427)

Au Canada pour service en français:

1-800-LE-FOYER^{MC}

(1-800-533-6937)

www.sears.ca

Sears