



Service Manual for:
NVL
Vista
Series

Public Use Wheelchair Lifts

Series A2

DOT — Public Use Lift

"DOT — Public Use Lift" verifies that this platform lift meets the "public use lift" requirements of FMVSS No. 403. This lift may be installed on all vehicles appropriate for the size and weight of the lift, but must be installed on buses, school buses, and multi-purpose passenger vehicles other than motor homes with a gross vehicle weight rating (GVWR) that exceeds 4,536 kg (10,000 lb).

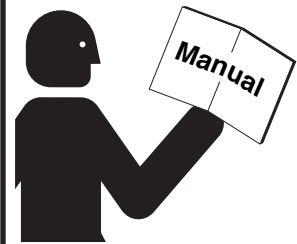


"Providing Access to the World"®

International Corporate Hdqrs: P.O. Box 310 Winamac, IN 46996 USA
1-800-THE LIFT (574) 946-6153 FAX: (574) 946-4670



! WARNING



Read manual before installing or servicing lift. Failure to do so may result in serious bodily injury and/or property damage.

Braun NVL Series

31824 Rev. A
February
2008

Patent #5,261,779 Patent #6,599,079
Patent #6,065,924 Patent #6,692,217
Patent #6,238,169 Patent #6,739,824
Patent #6,464,447 Patent #6,837,670 Patents Pending

Congratulations

We at The Braun Corporation wish to express our fullest appreciation on your new purchase. With you in mind, our skilled craftsmen have designed and assembled the finest lift available.

This manual provides service-related material. Refer to the FMVSS No. 403 Quick Reference Installation Sheet for installation instructions, operating instructions and maintenance procedures.

Braun Vista Series™ lifts are built for dependability and will provide years of pleasure and independence as long as the lift is installed and serviced as specified by a Braun certified technician, and the lift is operated by an instructed person.

Sincerely,
THE BRAUN CORPORATION

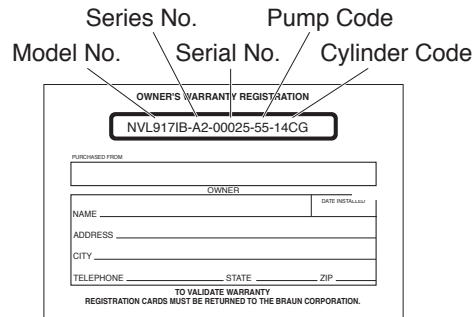


Ralph W. Braun
Chief Executive Officer

Warranty and Registration Instructions

Immediately upon receiving the lift, examine the unit for any damage. Notify the carrier at once with any claims.

Two warranty/registration cards (shown right) are located in the lift-mounted manual storage pouch. The sales representative must process one of the cards. The consumer must fill out the other card and mail it to The Braun Corporation. The warranty is provided on the back cover of this manual. **The warranty cards must be processed to activate the warranty.**



Series No. Pump Code
Model No. Serial No. Cylinder Code

OWNER'S WARRANTY REGISTRATION
NVL9171B-A2-00025-55-14CG

PURCHASED FROM _____

OWNER _____ DATE INSTALLED _____

NAME _____

ADDRESS _____

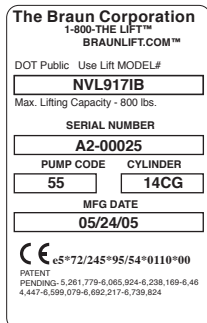
CITY _____

TELEPHONE _____ STATE _____ ZIP _____

TO VALIDATE WARRANTY
REGISTRATION CARDS MUST BE RETURNED TO THE BRAUN CORPORATION.

Sample Warranty/Registration Card

Two Braun Serial No./Series No. identification tags (shown below) are posted on the lift. One I.D. tag is posted on the opposite pump side vertical arm. A second I.D. tag is located on the opposite pump side tower. Both I.D. tags provide the product identification information provided on the warranty/registration card. Record the information in the space provided (or document on a copy). **This information must be provided when filing a warranty claim or ordering parts.**



The Braun Corporation
1-800-THE LIFT™
BRAUNLIFT.COM™

DOT Public Use Lift MODEL#

NVL9171B

Max. Lifting Capacity - 800 lbs.

SERIAL NUMBER

A2-00025

PUMP CODE CYLINDER

55 **14CG**

MFG DATE

05/24/05

CE cS*72/245*95/54*0110*00
PATENT
PENDING: 5,261,779-6,065,924-6,238,169-6,46
4,447-6,599,079-6,692,217-6,739,824

Sample Serial No./Series No. Identification Tag

Model No. _____

Series No. _____

Serial No. _____

Pump Code _____

Cylinder Code _____

Date of Manufacture _____

Contents

Troubleshooting

Certification Checklist Diagnostic Procedures	2-3
Lift Electrical Schematic	4
Lift Wiring Diagram	5
Switch and Sensor Locations	6
LCD Error Codes	7

Hydraulics

Hydraulic Schematic	8
Hydraulics Parts List	9
Hydraulics Diagram	10

Repair Parts

Pump Module

Pump Module Parts List	11
Pump Module Diagram	12

Lift Exploded View

Repair Parts List	13
Exploded View	14

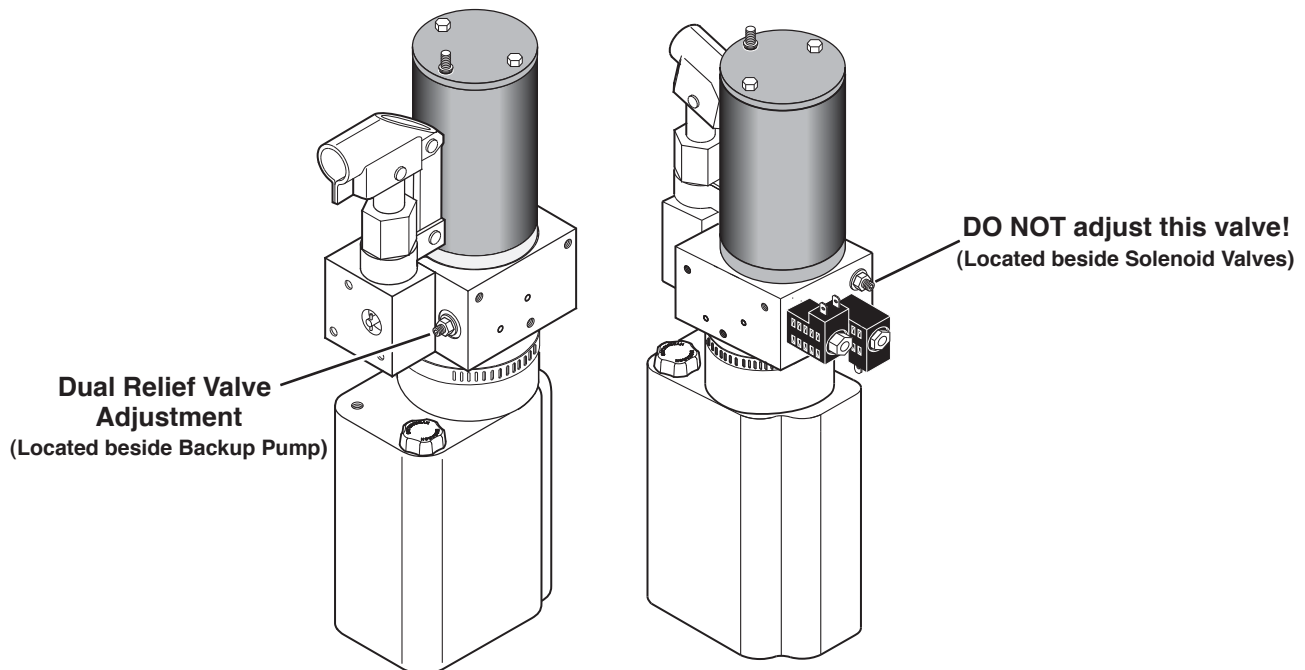
Certification Checklist Diagnostic Procedures

Use the following adjustment procedures should the lift not function as described in the certification checklist. These procedures must be followed in order for the lift to be FMVSS 403/404 compliant.

- Vehicle movement is prevented unless the platform is fully stowed.
 1. Verify lift stowed signal - pin 7 on the pump module has a +12 volt signal OR pin 9 has a ground signal (depends on interlock used).
 2. Refer to the interlock installation instructions.

- Lift operation shall be inhibited unless the vehicle is stopped and vehicle movement is prevented.
 1. Verify vehicle secure signal (pin 6) has a +12 volt signal.
 2. Refer to the interlock installation instructions.

- The platform will not fold/stow when at least 50 pounds is on the platform.
 1. Position the platform at the floor level loading position.
 2. Loosen the locknut on the dual relief valve adjustment (do not remove locknut). See illustration below.
 3. Turn the adjustment screw counter clockwise until the platform does not fold when the Fold button is pressed.
 4. Turn the adjustment screw clockwise in 1/4 turn increments and press the Fold button until the platform folds completely (Note: return the platform to floor level position after each attempt to fold the platform).
 5. Turn the adjustment screw an additional 1/8 turn after the platform folds successfully.
 6. Tighten the locknut without moving the adjustment screw.
 7. Verify the platform will not stow with at least 50 pounds on the platform.



Certification Checklist Diagnostic Procedures

- The inner rollstop will not raise if occupied by at least 25 pounds.
 - Call Product Support

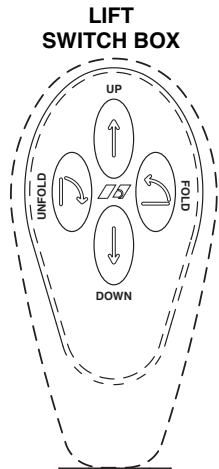
- The outer barrier will not raise if occupied by at least 25 pounds.
 - Call Product Support.

- Verify platform lighting when lift is deployed.
 1. Replace bulb(s) in the light housing.
 2. Check fuse (5 amp fuse on circuit board; F13)

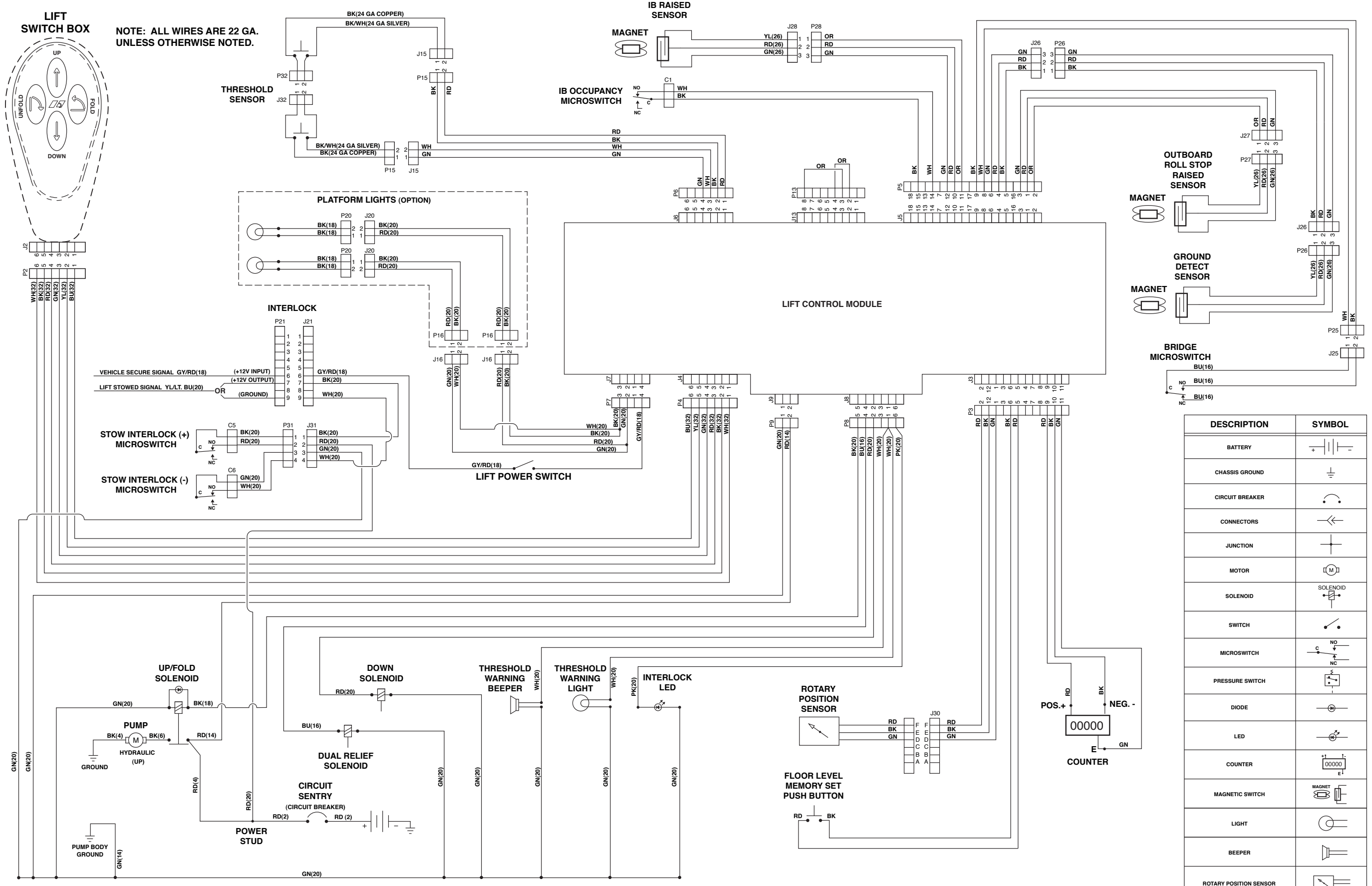
- An audio warning (and visual warning for public lifts) will activate if at least 25 pounds is on the threshold area when the platform is at least 1" below floor level.
 1. Remove the threshold warning plate
 2. Verify the threshold strip switch connectors are connected (see illustration on Page 6)
 3. Replace the threshold strip switch
 4. Reinstall the threshold warning plate

- Lowering the platform beyond the inner rollstop locking position is allowed only when the inner rollstop is locked in position.
 - Call Product Support.

- Raising the platform more than 3" off of the ground is prevented unless the outer barrier is raised.
 - Call Product Support.

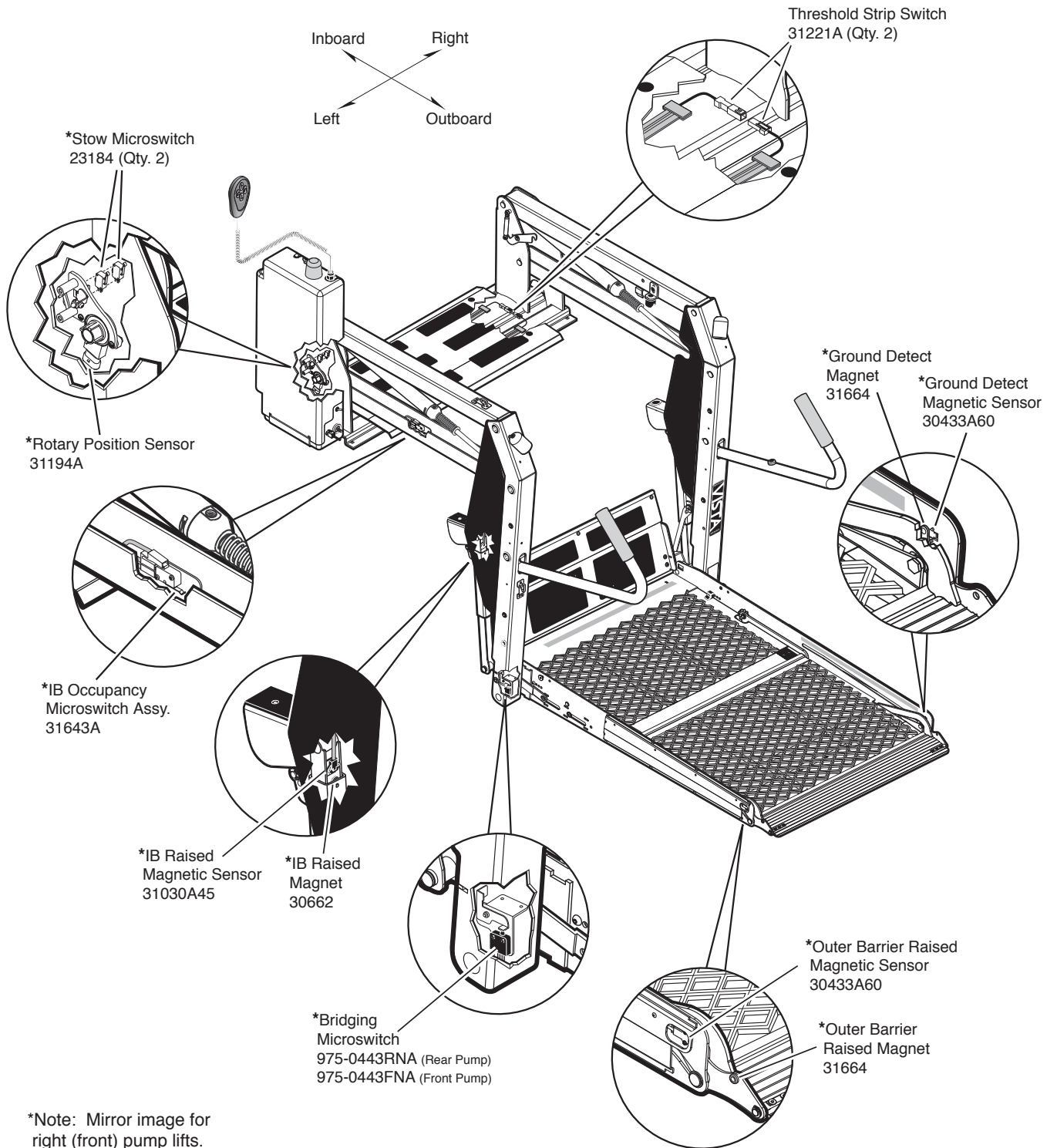


NOTE: ALL WIRES ARE 22 GA. UNLESS OTHERWISE NOTED.



DESCRIPTION	SYMBOL
BATTERY	
CHASSIS GROUND	
CIRCUIT BREAKER	
CONNECTORS	
JUNCTION	
MOTOR	
SOLENOID	
SWITCH	
MICROSWITCH	
PRESSURE SWITCH	
DIODE	
LED	
COUNTER	
MAGNETIC SWITCH	
LIGHT	
BEEPER	
ROTARY POSITION SENSOR	

NVL917IB Switch and Sensor Locations



LCD Error Codes

Listed below are codes that the lift controller outputs during lift operation. The codes will be displayed on an LCD screen located on the lift control board inside the pump module. See the Manual Operating Instructions in the operator's manual for pump cover removal instructions.

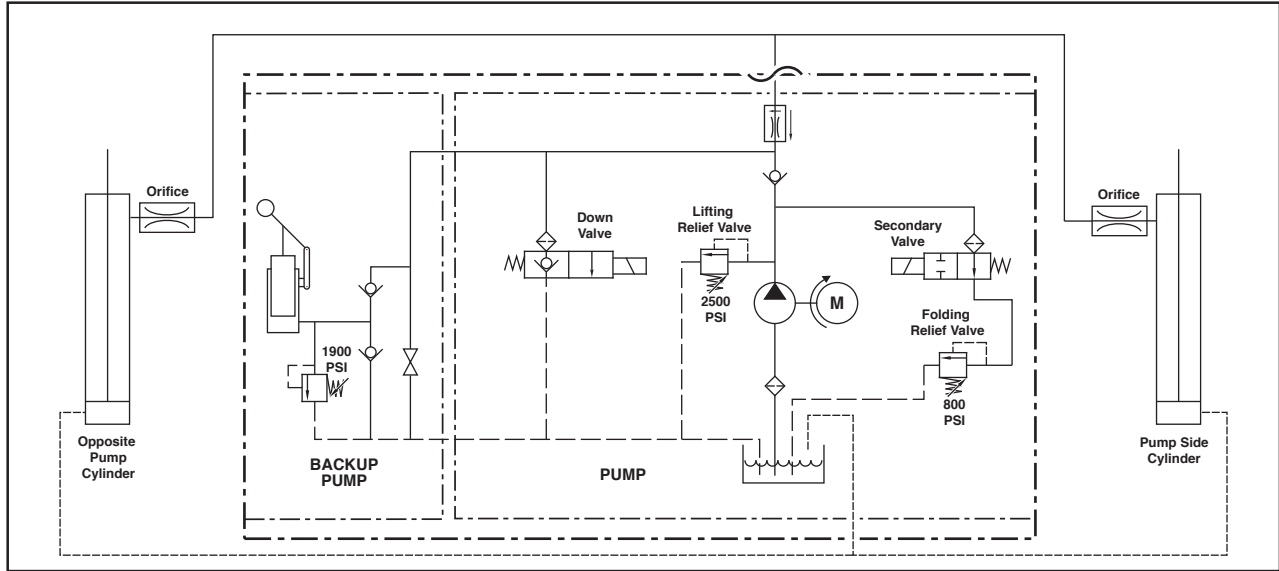
Non-Flashing Numbers

- | | |
|--|---|
| <ul style="list-style-type: none">01 – Platform stowed02 – Platform unfolding03 – Platform unfolding paused04 – Platform at floor level05 – Platform beginning to lower06 – Platform lowering (threshold cannot be occupied from this point down)07 – Outer barrier moving to horizontal position08 – Platform at ground level09 – Outer barrier moving to vertical position10 – Platform raising11 – Platform raising paused at floor12 – Platform folding (limited pressure)13 – Platform folding (full pressure)14 – Timed fold (cinching lift tite) or (anti-rattle state)15 – Platform folding stopped16 – Paused fold17 – Platform between ground and 3" above ground18 – Platform above 3"28 – Illegal function/not defined29 – Interlock fault not recognized (or has been cleared but a motion button is still pressed)30 – Platform location unknown31 – Platform location transition state; attempting to locate position50 – Outboard barrier is not up above inboard barrier locked position51 – Threshold is occupied when platform is 1" or more below floor level52 – Inboard barrier is not up and locked below inboard barrier locked position53 – Inboard barrier occupied sensor is not activated between floor and inboard barrier up position54 – Outboard barrier is occupied before it is up55 – Outboard barrier is not latched when above the inboard barrier locked position (Millennium only)56 – Outboard barrier is not up and latched and bridge switch did not deactivate57 – Outboard barrier is not up and latched and ground detect switch did not deactivate (Century and Vista only) | <ul style="list-style-type: none">58 – Outboard barrier is not up and latched and the platform is 3" above the ground59 – Outboard barrier is not up after pausing platform travel75 – Low voltage detected; must turn off power switch to reset LCD77 – Vehicle secure interlock has not been activated90 – Position will be set if you keep holding the button until it beeps91 – Position is out of a predetermined acceptable range of floor position92 – Bridge switch is not made, needs adjusting93 – Inboard barrier occupied switch is not made, position needs to be moved or switch should be adjusted94 – Outboard barrier is not made, fix and try again95 – Outboard barrier latch is not made (check for jumper on Century and Vista lifts, check latch on Millennium lifts)99 – Controller program is not valid; replace controller |
|--|---|

Flashing Numbers

- Flashing 65 – Unfold button is pressed
- Flashing 66 – Fold button is pressed
- Flashing 67 – Down button is pressed
- Flashing 68 – Up button is pressed
- Flashing 69 – Bridge switch is activated
- Flashing 70 – Outboard barrier latch switch is activated
- Flashing 71 – Ground detect switch is activated
- Flashing 72 – Outboard barrier up switch is activated
- Flashing 73 – Inboard barrier up switch is activated
- Flashing 74 – Inboard barrier occupied switch is activated
- Flashing 76 – Outboard barrier occupied switch is activated
- Flashing 78 – Threshold tape switch "A" is activated
- Flashing 79 – Threshold tape switch "B" is activated
- Flashing 80 – Position set button is pressed

Hydraulic Schematic



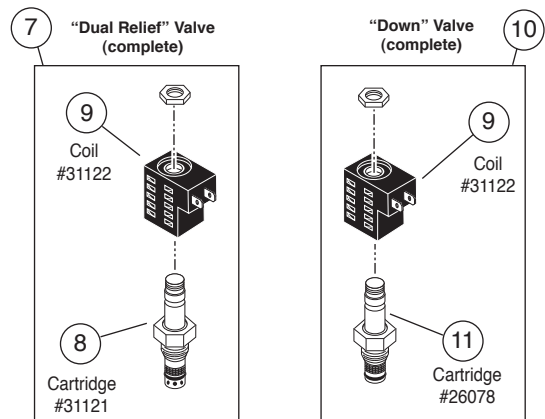
Description	Symbol	Description	Symbol
Fixed Displacement Pump		Hydraulic Port	
Pump Motor		2 Way 2 Position Solenoid Valve	
Backup Pump		Pressure Compensated Flow Control	
Single Acting Cylinder		Relief Valve	
Check Valve		Filter Screen	
Unfold Orifice		Vented Reservoir	
Manual Shutoff Valve			

NVL9171B Hydraulics Parts List

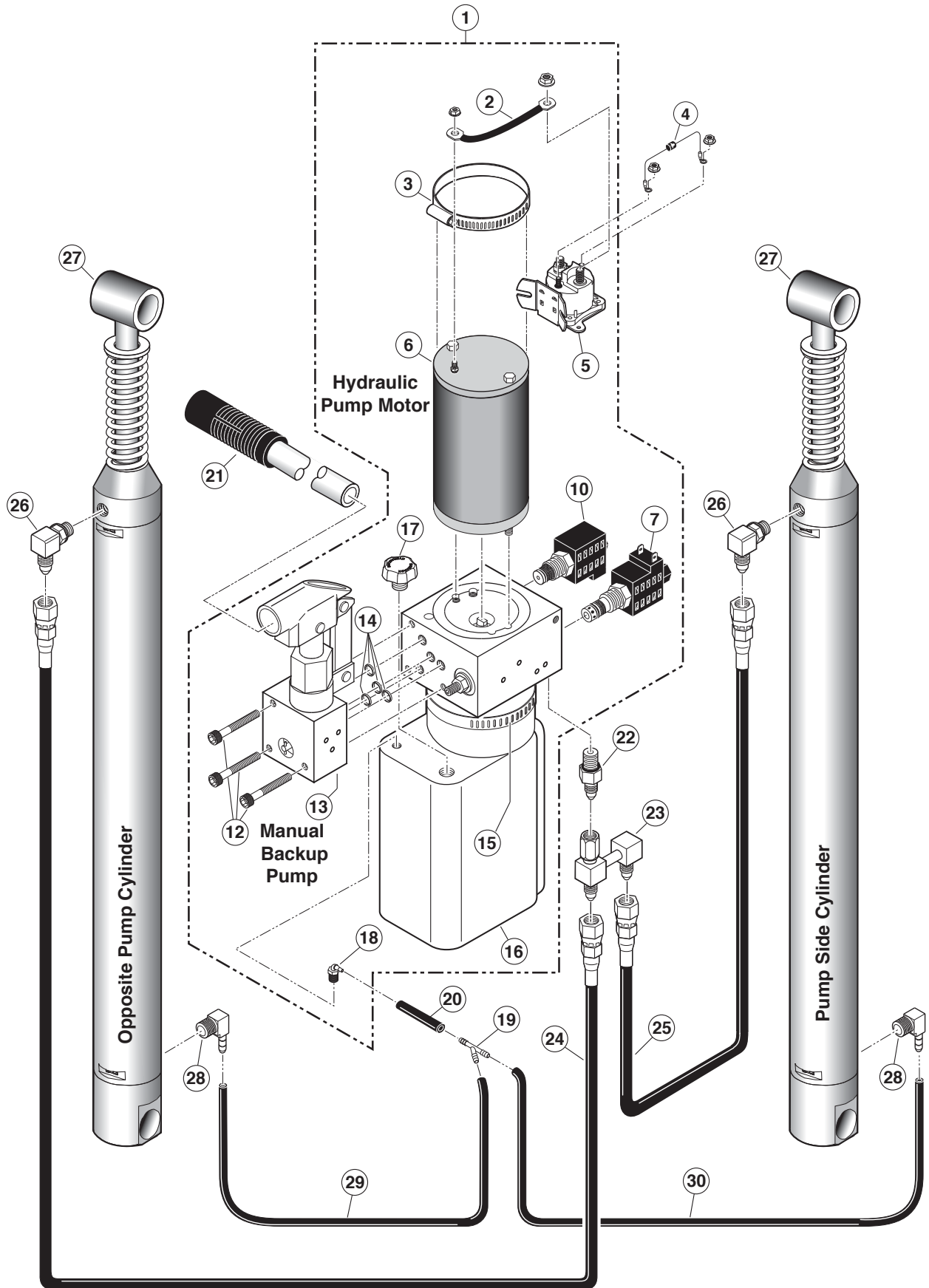
Item	Qty.	Description	Part #
1	1	Pump Assembly (M-268-0112) 120G / 12V / Dual Relief	30915-12V
2	1	Lead Wire Assembly, #6 Gauge	29049
3	1	Clamp, Hose (M258)	29663
4	1	Diode Assembly, Up Solenoid	73906A
5	1	Solenoid, 4-Post (See Pump Module Exploded View for Solenoid Selection)	
6	1	Motor, Pump - 12 Volt - Low RPM	29690
7	1	Valve Assembly, "Dual Relief" (complete)	31120K
8	1	Cartridge (only), "Dual Relief" Valve - (shown below)	31121
9	2	Coil (only) - (shown below)	31122
10	1	Valve Assembly, "Down" (complete)	31348K
11	1	Cartridge (only), "Down" Valve - (shown below)	26078
12	3	Screw, 1/4-20 x 2-1/4", Allen Head	26080
13	1	Hand Pump (Backup) with O-Rings (Item 11)	26074
14	4	O-Ring (only), Hand Pump Mounting	17351
15	1	Clamp, Reservoir - H-48 (M259)	17069
16	1	Reservoir, Hydraulic Fluid	30160
17	1	Cap, Reservoir Filler - Screw On	30167
18	1	Fitting, 90° - 1/8" NPT x 1/8" Barb - Plastic	87563
19	1	Connector, Plastic "Y", 1/8" O.D.	18877
20	1	Hose, Thermal Plastic - Black, 1/8" I.D.	23742R* (6")
21	1	Handle with Grip	17206A
22	1	Fitting, Male 7-16-20 SAE O-Ring to Male 7/16-20 JIC 37°	24504
23	1	Elbow, 7/16-20 JIC 37 Female Swivel (1) - 7/16-20 JIC 37° Male (2)	26579
24	1	Hose Assembly, 1/8" (Opposite-Pump-Side)	16004A-086
25	1	Hose Assembly, 1/8" (Pump-Side)	16004A-046
26	2	Elbow, 90°, 7/16-20 SAE O-Ring Male - 7/16-20 JIC 37° Male, Orifice	26667
27	2	Cylinder ✓	C1514.3-9408
28	2	Elbow, 90°, 1/4 NPT Male to 1/4" Barbed	15150
29	1	Hose, Thermal Plastic - Black, 1/8" I.D.	23742R* (68")
30	1	Hose, Thermal Plastic - Black, 1/8" I.D.	23742R* (30")

✓ **Seal Kits:** If repairing a cylinder, order Seal Kit #1500-0500P.

* Raw material items ordered and priced per inch (order specified length).



NVL9171B Hydraulics Diagram



NVL9171B Pump Module Parts List

Item	Qty.	Description	Part No.
		Pump Module (complete), 12 Volt, Rear	985-A2516RNA
1	1	Pump Assembly (M268-0112) 12V-120G - Duel Relief (Includes Items 2 & 3)	30915-12V
2	1	Power Cable, Up Solenoid to Motor	29049
3	1	Solenoid, Up - 4-Post - Trombetta (Flat Mount)	31374
4	1	Diode Assembly, Up Solenoid	73906A
5	2	Nut, #10-32 Serrated Flange	83080
6	1	Fitting, Male 7/16-20 O-Ring to Male 7/16-20 JIC 37°	24504
7	1	Elbow, Female Swivel 7/16-20 JIC 37° to (2) Male 7/16-20 JIC 37°	26579
8	1	Control, Hand Pendant Assembly - Standard (Includes Items 9-17)	100063-001
9	1	Keypad, Hand Control	30000
10	1	Hand Pendant Case - Front	100027-001
11	1	Seal, Hand Control - Standard	100066-001
12	1	Module, Hand Control	100041-001
13	1	Screw, 10-32 x 1/2", Phillip, Pan Head	82744
14	1	Hand Pendant Case - Rear	100028-001
15	1	Hanger, Round - Hand Control	73793
16	2	Screw, #4-40 x 1/4", Phillip, Pan Head	11480
17	1	Cord, Coiled - 6-Conductor	100044-001
18	1	Strain Relief - Liquid Tight	30753
19	1	Control Board Assembly	100159-001
20	8	Standoff, Snap-In (2 shown)	31011
21	1	Switch, Push Button	31753
22	1	Diode, Green LED, Panel Mount	29545
23	1	Stud, Power Feed	26084
24	1	Rubber Boot, Red ♦See note below	82046
25	1	Cover, Pump, 2-Piece - Back (Complete Assembly 915-0513RNA Includes Items 25 - 32)	915-0513RN
26	1	Recepticle, Clip On	28803
27	1	Lens, Threshold Warning - Red	30704
28	1	Decal, Warning / Pressure Relief Valve (Not shown - see Decal Section)	22249
29	1	Spacer, Lens - NHTSA	31386
30	1	Metal Ring Base - Lamp	30971
31	1	Socket, Lamp	30703
32	3	Screw, #8-32 x 1/2" Pan Head Phillips - Thread Cut	30974
33	1	Bulb, Light	19841
34	1	Switch, Toggle	12185
35	1	Decal, Lift Power - On/Off (Not shown - see Decal Section)	21494
36	2	Washer, 5/16" Flat	10063
37	2	Bolt, 5/16-18 x 3/4", Nylock, Hex * See note below	29608
38	2	Bolt, 5/16-18 x 1/2", Nylock, Hex * See note below	10012
39	1	Cable, Ground	22166A
40	1	Washer, 5/16" External Tooth	16368
41	1	Beeper, Continuous	30487
42	1	Wire Assembly, Lift Interlock Connection	31797A
43	1	Wire Assembly, Lift Stowed Connection	31798A
44	1	Plate, Backing / Mounting - Rear	985-2501RN
45	1	Pump Handle with Grip	17206A
46	1	Clamp, Hose - Solenoid Mounting	29663
47	1	Solenoid, Up - 4-Post - Prestolite	28308
48	1	Cover, Pump - 2-Piece - Top / Front (Complete Assembly 985-0519RNA Includes Items 48 - 59)	915-0519RN
49	1	Stud, Wing Head - 1/4 Turn	28804
50	1	Retainer, Push On	28805
51	1	Plug, Window - Clear	30443
52	1	Clip, Pump Handle - Top	915-5517
53	1	Washer, Nylon, 1/4" I.D. x 11/16" O.D. x .030"	12690
54	1	Clip, Pump Handle - Bottom	915-5518
55	3	Rivet, Pop, SD43BS - 1/8" - .13"/.19"	12954
56	1	Decal, Removal / Installation Pump Handle (Not shown - see Decal Section)	29052
57	1	Decal, Manual Instructions - Public (Not shown - see Decal Section)	31412
58	1	Decal, Removal / Installaton - Pump Cover (Not shown - see Decal Section)	29051
59	1	Decal, Warning - Control Board Damage - ESD (Not shown - see Decal Section)	30787
60	1	Cable, Pump Module Power Hookup (Not shown - see Wiring Diagram)	26082A-4
61	1	Harness, Power (Not shown - see Wiring Diagram)	985-A2530NA
62	1	Harness, Interlock / Lighting (Not shown - see Wiring Diagram)	985-0531NA
63	1	Harness, Up / Down Solenoid (Not shown - see Wiring Diagram)	985-2533NA
64	1	Harness, Extension - Threshold Switch (Not shown - see Wiring Diagram)	985-A1534NA
65	1	Harness, Jumper (Not shown - see Wiring Diagram)	985-2541NA

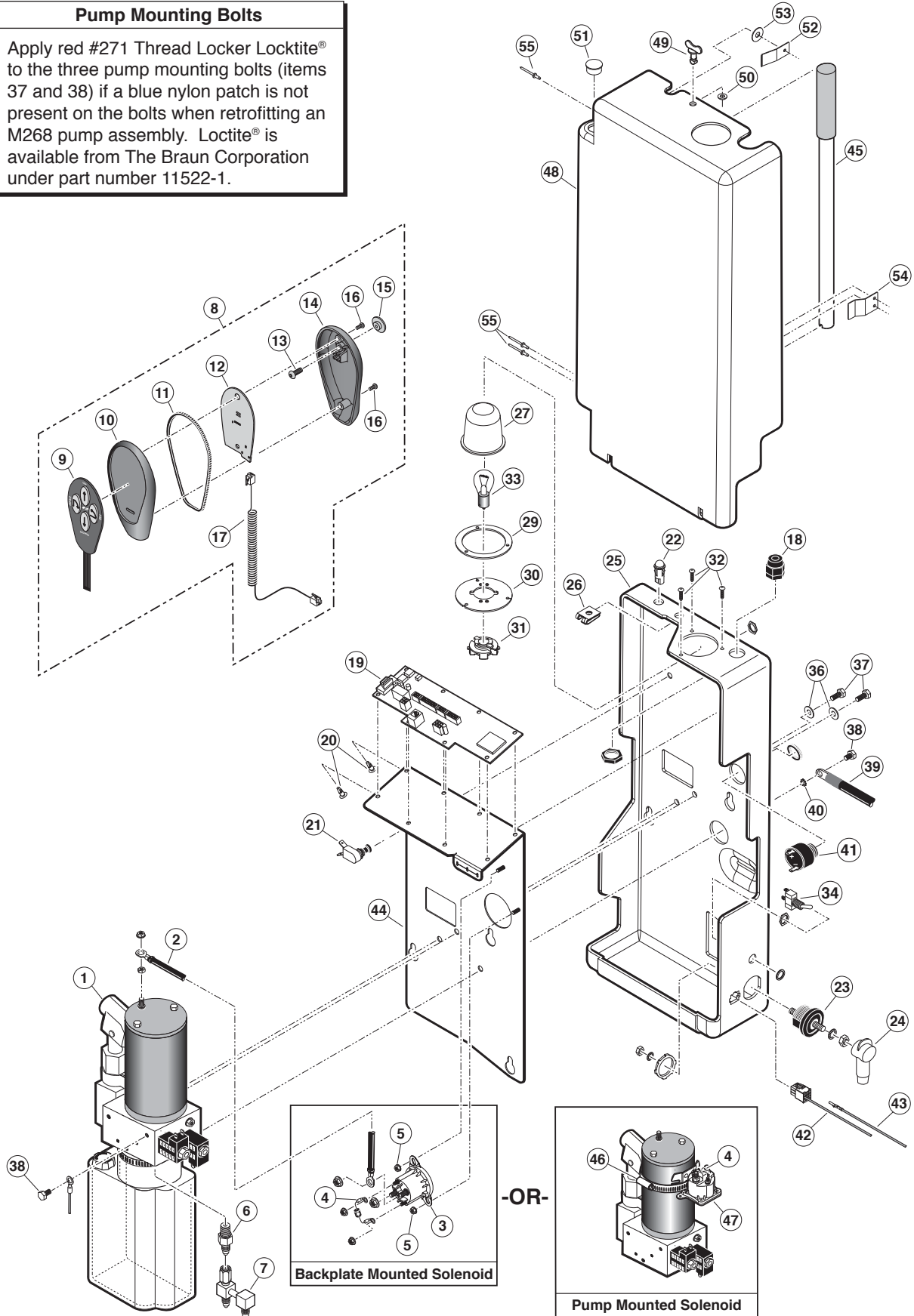
* Apply red #271 Thread Locker Loctite® to the four hex bolts (items 37 and 38) if a blue nylon patch is not present on the bolts when retrofitting an M268-0112 pump assembly. Loctite® is available from The Braun Corporation under part number 11522.

♦ Indicates items available for replacement part purposes **only**. These items **are not** included with replacement pump modules.

NVL9171B Pump Module Diagram

Pump Mounting Bolts

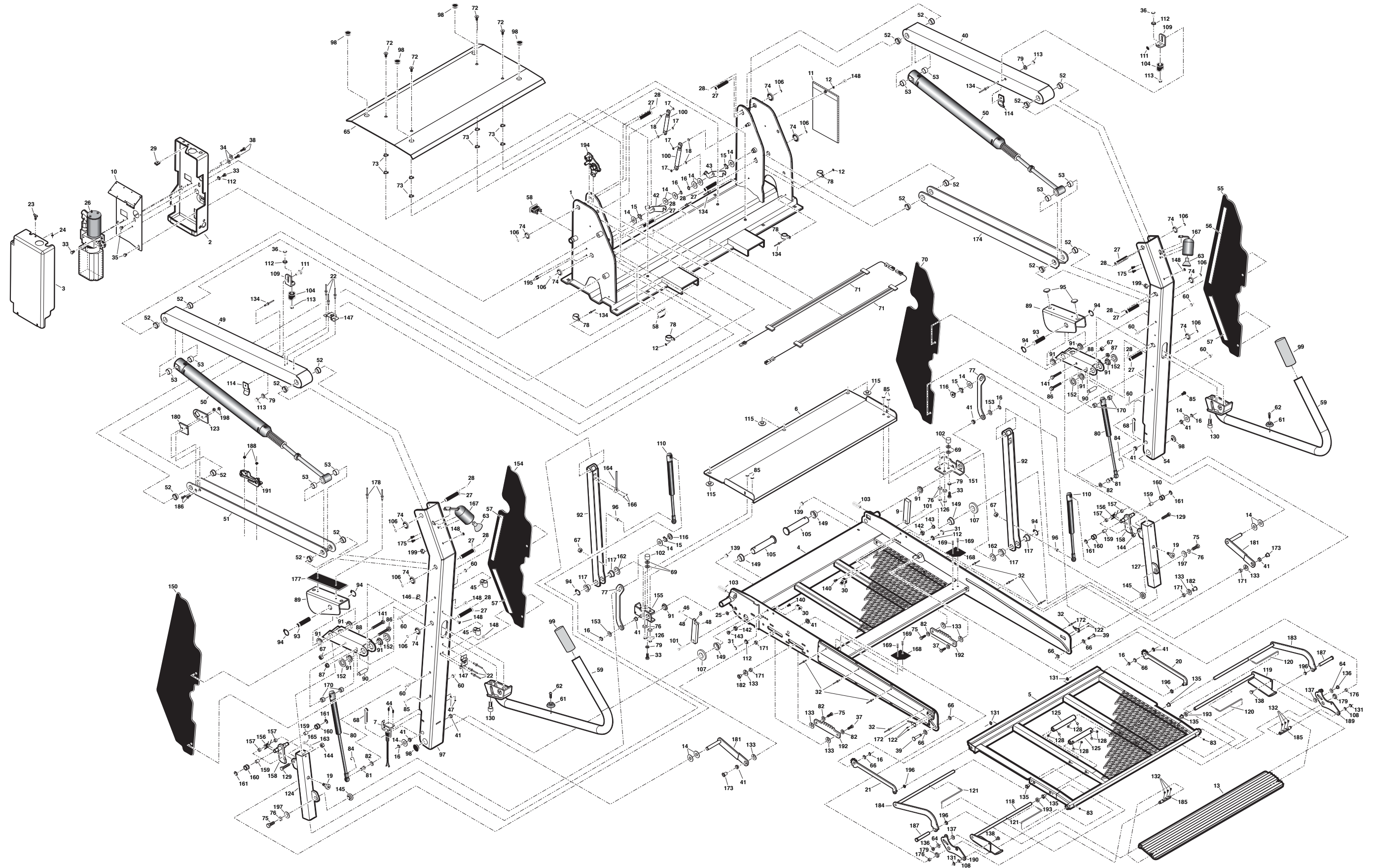
Apply red #271 Thread Locker Loctite® to the three pump mounting bolts (items 37 and 38) if a blue nylon patch is not present on the bolts when retrofitting an M268 pump assembly. Loctite® is available from The Braun Corporation under part number 11522-1.



Repair Parts List

Part Numbers of Items Dedicated per Lift Model							
Item	Qty.	Description	NVL917IB	NVL917IB			
1	1	Base Weldment	975R0148NW33	975F0148NW33			
2	1	Cover, Pump, 2-Piece, Back-Bottom	915-0513RN	915-0513FN			
3	1	Cover, Pump, 2-Piece, Top-Front	915-0519RN	915-0519FN			
4	1	Platform Weldment Fixed Inner	975-03351NW	975-03351NFW			
5	1	Platform Weldment Movable Outer	975-0336NW	975-0336NFW			
6	1	Inner Roll Stop	915-0147NWW	915-0147NWF			
7	1	Bridge Switch Assembly	975-0443RNA	975-0443FNA			
8	1	Block, Platform Stop - Bridging - Rear	25778	900-0311			
9	1	Block, Platform Stop - Bridging - Front	900-0311	25778			
10	1	Plate, Backing/Mounting Rear	985-2501RN	985-2501FN			
Part Numbers of Items Identical on All Lift Models							
Item	Qty.	Description	Part No.	Item	Qty.	Description	Part No.
11	1	Bag, Vinyl - 7' x 10'	31174	109	2	Bracket, Mounting, Quiet Ride	915-0392
12	3	Washer, #10, Flat, Auto BK	11541	110	2	Gas Spring, 12.2" Extended/8.3" Compressed	30550A
13	1	Roll Stop, 33"	975-0312NY	111	2	Bolt, 5/16-18 x 3/4", Carriage Black	15858BK
14	14	Washer, 3/16" I.D. x 1" O.D. x .0269", Auto BK	15329	112	5	Washer, 5/16", External Tooth	16368
15	4	Washer, Finger, Disc Spring	27276	113	4	Nut, 5/16-18 Hex	10058
16	8	Snap-Ring 1/2"	13273	114	2	Bracket, Inner Side Panel Guide	915-0703
17	4	Snap-Ring 5/16"	24570	115	3	Bearing, UHMW, Flat, Thin, Black	916-5406
18	4	O-Ring, 5/16" I.D. x 1/16" O.D.	26614	116	2	Pivot, Bridge Plate Lever, Upper, Inside	916-5433
19	2	Screw, Socket Head, 3/8-16 x 1/2" with 1/2" Shoulder	25929	117	4	Bearing, Flange - 3/4" x 1/2"	24027
20	1	Gear Assembly, Front	975-2328FRABKN	118	1	Weldment, Latch Foot, Rear	975-0204RNNW
21	1	Gear Assembly, Rear	975-2328RRABKN	119	1	Weldment, Latch Foot, Front	975-0204FNNW
22	6	Rivet, Pop, 1/8" - .13"/.19"	12954	120	2	Rod, 5/32" Torsion Spring Bar, Front	28132F
23	1	Stud, Wing Head	28804	121	2	Rod, 5/32" Torsion Spring Bar, Rear	28132R
24	1	Retainer, Push-On	28805	122	4	Screw, #4-40 x 3/16" THD FORM	31043
25	1	Grommet, ID .312", FR .250", GD .813" T500"	27726	123	1	Position Sensor Collet	31093
26	1	Pump Assembly, (M268 with Backup Pump)	30915-12V	124	1	Weldment, Tube-IB Fold Arm-Rear	975-0625RNNW
27	10	Pin, Pivot, Parallel Arm	917-0403	125	2	Collar, Roll Stop, Torsion Bar	975-2208PC
28	10	Screw Drive #6 x 3/16" Long Black	31086BK	126	4	Nut, 3/8-16, Hex	10059BK
29	1	Receptacle, Clip-On	28903	127	1	Weldment, Tube-IB Fold Arm-Front	975-0625FNNW
30	2	Bumper, Stow, Millennium	26154	128	8	Screw, 5/16-18 x 5/16", Set	11567
31	2	Bolt, 5/16-18 x 1/2", Button Head, Socket Cap	26281	129	2	Bolt, 5/16-18 x 1/2" Hex Head, Cap	10014
32	8	Rivet, Pop, SD43BS - 1/8" - .13/.19	12954	130	2	Bolt, 7/16-20 x 1", SHCS, w/Nylock Patch	28474
33	4	Bolt, 5/16-18 x 1/2" Nylock, Hex	10012	131	4	Ring, 3/8" Retaining Snap	13889
34	2	Washer, 5/16" Flat	10063	132	6	Screw, #10-32 x 1/2, Flat Head-Hex w/Patch	17192P
35	2	Bolt, 3/8-16 x 1/2" Nylock, Hex	29729	133	8	Washer, Thrust, 1.125" O.D., .625" I.D., .0585" THK	28378
36	2	Bolt, 5/16-18 x 3/4", Button Head, Soc Cap Hd	24440	134	6	Rivet, Pop, 3/16"-25/38", Black	14993
37	2	Bolt, 3/8-16 x 3/4" GR5-Hex, Auto, BK	12463	135	4	Bearing, Flange, 10MM x 12MM, FMB1012DU	28128
38	2	Bolt, 5/16-18 x 3/4" Nylock, Hex	29608	136	2	Nut, 1/4-20 x 3/16", Roll Stop	975-0205N
39	2	Pin, Bearing, Platform Side	975-2360	137	2	Washer, Nylon, .34" I.D. x .74" O.D. x .62" T	31439
40	1	Parallel Arm Assy., Top-Front w/Bearings	915-0437FA	138	2	Bolt, 1/4-20, Shoulder, Roll Stop	995-0211
41	10	Bearing, Flange, 1/2" x 1/4"	24442	139	2	Nut, 5/16-18, Top Lock, Black	28324BK
42	1	Weldment, Latch, Lift/Tite, Rear	29412RW	140	2	Bolt, 1/4-20 x 1/2", Button Head Socket	15733
43	1	Weldment, Latch, Lift/Tite, Front	29412FW	141	2	Bolt, 3/8-16 x 2", Hex Head, Cap	10027
44	2	Screw, #4-40 x 5/8", Round Head	14810	142	2	Roller Assembly	1000-2395A
45	2	Clip, Cable, 5/16", Plastic	26948	143	2	Roller Retainer	915-5353
46	1	Screw, #8-32 x 1", Mach. Truss Head	19912BK	144	2	Nut, 5/16-18 Hex, Lock	11387BK
47	2	Nut, #4-40 w/Lockwasher	19537	145	2	Pivot, Bridge Plate Lever, Upper-Outer	916-5434
48	2	Nut, #8-32, Hex	10777	146	1	Clamp, 1/4" I.D. - Nylon Loop	84396
49	1	Parallel Arm Assy., Top-Rear w/Bearings	975-2437RA	147	2	Clip, Hand Control Hanger	84389
50	2	Cylinder, 14.625"/29.146" Retracted	C1514-3-9408	148	6	Rivet, Snap, .201" x .256"/.295"	26362
51	1	Parallel Arm Assy., Bottom w/Bearings and Sensors - Rear	975-0458NA	149	4	Bearing, Flange, 1" x 1/2-16FDU08	28031
52	16	Bearing, Flange, 3/4" x 3/8"	24011	150	1	Cover, Plastic, Parallel Arm, O/S Rear-w/Tape	915-0702NA
53	8	Bushing, 3/4" I.D. x 1/2"	900-0456	151	1	Weldment, Bridgeplate Bracket, Front	985-0431FNNW
54	1	Vertical Channel Weldment, Front, 48"	975-0448FNNW	152	4	Spacer, Handrail, .375" Thk. UHMW	995-0301
55	1	Cover, Plastic, Parallel Arm, O/S Front-w/Tape	915-0704NA	153	2	Washer, 5/16" I.D. x .75" O.D. x .250", Black	25336
56	2	Tape, 1" Wide S-Face Foam, x 14" (1 Shown)	82015R014	154	1	Cover, Plastic, Parallel Arm, I/S Rear-w/Lock	975-0703NA
57	6	Tape, 1" Wide S-Face Foam, x 10" (3 Shown)	82015R010	155	1	Weldment, Bridgeplate Bracket, Rear	985-0431RNNW
58	1	Cycle Counter-LCD Without Reset	30547	156	2	Spring, Torsion - .366 I.D. x .05"	30386
59	2	Handrail Weldment	985-0618NWW	157	4	Spacer, IB Lock	30394
60	8	Rivet, Push In - 8MM	30063	158	2	Weldment, IB Lock	985-0630NWW
61	2	Bumper, Rubber, 31/32" O.D.	10950	159	4	Bearing, 3/8" I.D. x 1/2" Long	30405
62	2	Screw, #8-18 x 1/2", Self-Tap, Phillips	13583	160	4	Roller, .65" O.D. x 1/2" Long	985-0631N
63	2	Bulb, Light 20-W, Halogen Reflector	31060	161	4	E-Clip, 3/8" Shaft	84393
64	2	Washer, .328" I.D. x .75" O.D., .062" T-UHMW	31438	162	2	Spacer, Handrail, .230" Thk. UHMW	911-5301
65	1	Base, Cover Assembly 33" (Traction Tape Not Shown)	975-0148KS33Y	163	1	Magnet - Sensor Ring	30682
66	6	Washer, Thrust, .875" O.D., .50" I.D., .058" ST	29371	164	1	Harness, Sensor - Magnetic w/Plug - 37"	30433A37
67	4	Nut, 3/8-16, Hex Lock	13617	165	1	Rivet, Snap, Black, 201" Hole x 177/217" Thick	30408
68	2	Cotter Pin, 1/4" x 2", Black	15886BK	166	2	Rivet, Snap, Black, .158"/.197" Thick	25759
69	4	Washer, 1/4" Flat	10062	167	2	Light Assy, Vertical Channel	31062A
70	1	Cover, Plastic, Parallel Arm, I/S Front-w/Tape	975-0701NA	168	2	Pad, Roll Stop, Foot Stowed	975-2379
71	2	Threshold Strip Switch	31221A	169	4	Plug, Interior, Plastic Push, Black	P50067-BK
72	4	Screw, 1/4-20 x 1/2" FHSCS	18660	170	4	Spacer, UHMW-.75" O.D. x .39" I.D. x .25"	30227
73	8	Washer, Finger Disk Spring	30772	171	4	Bearing, Platform, Slide	975-2359
74	10	Washer, 1/2" Flat Black Zinc	25346	172	2	Harness, Sensor, Magnetic w/Plug - 60"	30433A60
75	4	Bolt, 3/8-16 x 1", Hex	10025	173	2	Pin, Bearing, Gear Rack	975-2334
76	6	Washer, 3/8", Lock, Black	10069BK	174	1	Parallel Arm Assy., Bottom w/Bearings-Front	917-0457NA
77	2	Lever, Inboard Barrier	975-0404N	175	4	Screw, #10-32 x 1/2" Button Head, Socket, Cap	30375
78	4	Clamp, Insulate, 1 3/8" I.D.	29765	176	2	Bearing, Platform, Slide	975-2358
79	4	Washer, 5/16" Lock, Black	10068	177	1	Slide, UHMW Platform Rotate	31677
80	2	Gas Spring, Fold Arm	29186	178	2	Rivet, Pop, 3/16" - .13"/.25" - SD64BS	11513
81	2	Ball Stud, Gas Spring, 13MM x 3/8-16 F. Thread	29185	179	2	Spacer, 5/8" I.D., 7/8" O.D. x 3/16" L-UHMW	31678
82	6	Washer, 3/8", Lock	10069	180	1	Position Sensor Spacer	31092
83	2	Screw, 1/4-20 x 1/4", Set	11563	181	2	Link, Weldment, Platform, Vertical Channel	975-2333W
84	2	Clip, Safety, 3/8-16 x 3/4", Flange	12608	182	2	Pin, Bearing, Gear Rack	975-2202
85	6	Bolt, 3/8-16 X 3/4", Flange Button Head, Socket Cap	25171	183	1	Roll Stop Pivot Arm Front	975-0216RNNW
86	2	Bolt, 5/16-18 x 2", Flange, Hex	25130	184	1	Roll Stop Pivot Arm Rear	975-0216FNNW
87	2	Nut, 5/16-18, Serrated Flange	25131	185	2	Pin, Roll Stop, Vista	975-0217N
88	2	Arm, Slide Support	985-6612N	186	2	Screw, 1/4-20 x 3/4", Flat Head, Socket, Countersink	28986
89	2	Slide, Platform, Rotate	985-0606N	187	2	Pin, Bearing, Platform Slide	975-2360
90	2	Spacer, 5" O.D. x .334" I.D. x 1.515" LG	25132	188	2	Nut, #10-32 w/Lockwasher	18349
91	10	Bearing, Flange, 3/4" x 1/4"	24012	189	1	Assembly, Link, Roll Stop, Rear Pump, Front	975-0219FNA
92	2	Weldment, Platform Pivot Arm - 48"	985-0640NW-BKN	190	1	Assembly, Link, Roll Stop, Rear Pump, Rear	975-0219RNNW
93	2	Pin, Pivot, Lower Arm	900-0413N	191	1	Assembly, IB Occupied	31643A
94	6	Ring, Snap, 3/4", External	18657	192	2	Gear Rack, Platform Fold	975-2329BKN
95	2	Bearing, UHMW, Flat, 1.226"	205-1760	193	2	Washer, .390" I.D. x .75" O.D., .21" T-UHMW	31440
96	2	Ball Stud, 10MM	21301	194	1	Assembly, Rotary Position Sensor	31094A
97	1	Vertical Channel Weldment, Rear	975-0448RNNW	195	2	Screw, 1/4-20 x 3/4" BHSCS 18-8 SS	81068-000
98	6	Plastic End Cap, 1" I.D. x 1 1/4" O.D.	20474	196	4	Bearing, Flange, 3/8" I.D. x 1/4"	24028
99	2	Grip, Handle, Yellow	19074	197	2	Washer, 3/8" Flat, Black	10064
100	2	Spring, Damper, Retract	28963	198	2	Nut, 1/4-20 Hex Lock	10775
101	2	Bolt, 5/16-18 x 1 1/4" Low Socket Hd., Cap, Bk.	26327	199	2	Clamp, Cable, 1/2" Plastic	10092
102	2	Bumper, 75" x .625" Long	915-0391				
103	2	Screw, 1/2-20 x 1 1/2" Set Lock, Black	18663				
104	2	Block, Guide-Platform Stow	28593				
105	2	Pin, Platform	975-2325				
106	10	Screw, 5/16-18 x 3/4", SHFS	25527				
107	2	Spacer, UHMW, Vertical Channel	995-0320				
108	2	Washer, .376" I.D. x .563" O.D., .032" T-18-8 SS	31514				

Exploded View



"Providing Access to the World"®



**Over 300 Braun
Dealers Worldwide**

 **THE BRAUN
CORPORATION®**
"Providing Access to the World"



International Corporate Hdqrs: P.O. Box 310 Winamac, IN 46996 USA
1-800-THE LIFT (574) 946-6153 FAX: (574) 946-4670

**Braun™ Five-Year
Limited Warranty**

The Braun Corporation of Winamac, Indiana, warrants that it will repair (or replace at Braun's sole option) any defect in material or workmanship in its wheelchair lift for five years*, providing the lift is installed, operated and maintained properly. This warranty is limited to the original purchaser and does not cover defects in the motor vehicle on which it is installed, or defects in the lift caused by a defect in any part of the motor vehicle.

This warranty commences on the date the lift is put in service, providing the warranty registration card is completed and received by The Braun Corporation within 20 days of purchase. If no warranty card is received, the warranty will expire three years from the date of manufacture as identified on the lift serial number tag.

This warranty also covers the cost of labor for the repair (or replacement at Braun's sole option) of parts for three years when performed by an authorized Braun representative. (A labor schedule determines cost allowance for repairs and is available upon request).

This warranty does not cover normal maintenance, service, or periodic adjustments necessitated by use or wear. The Braun Corporation will not, under any circumstances, pay for loss of use, incidental, or consequential damages related to the lift or vehicle in which it is installed.

This warranty will become null and void if the lift has been damaged through accident, misuse, or neglect, or if the lift has been altered in any respect.

* The five-year portion of this warranty covers the following lift's power train parts:

- Cable ▪ Cylinder ▪ Flow Control ▪ Gear Box ▪ Motor ▪ Pump ▪ Hydraulic Hose & Fittings
- Solid State Controller

All remaining lift components are covered by a three-year warranty.

Return Authorization Procedure

When processing any warranty claims (parts, repairs, etc.), all requests must be processed through The Braun Corporation Product Support Department. Call 1-800-THE LIFT® during normal working hours. Product Support will issue a Return Material Authorization (RMA) number and detail the procedures required for processing returns and/or authorizing credit.

The lift identification information is provided on the Braun Serial No./Series No. identification tag and the two warranty cards (shown on inside front cover). The lift identification information must be provided when filing a warranty claim or ordering parts.



"Providing Access to the World"®

International Corporate Hdqrs: P.O. Box 310 Winamac, IN 46996 USA
1-800-THE LIFT (574) 946-6153 FAX: (574) 946-4670

