



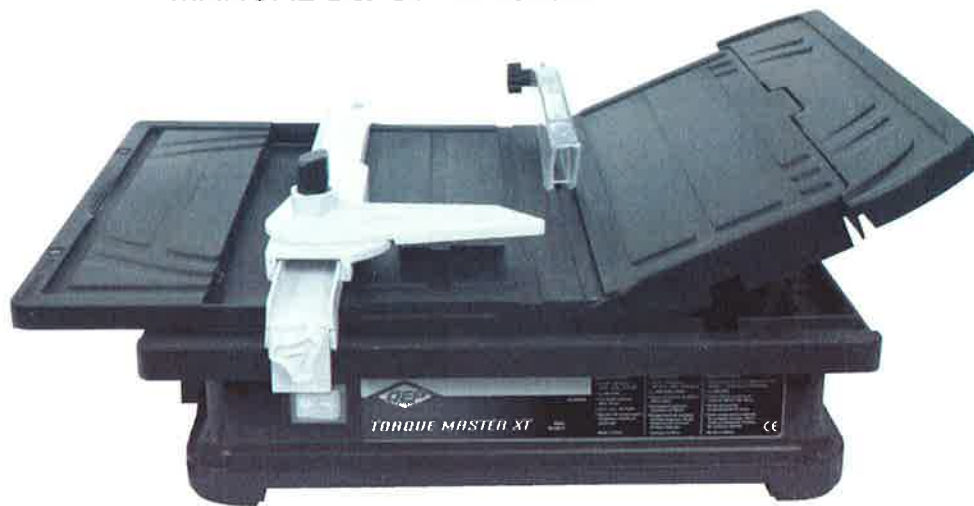
22400Q

**4 in.**  
**100mm**

**TORQUE MASTER XT**  
**PORTABLE TILE SAW**  
OWNER'S MANUAL

**SCIE PORTATIVE POUR CARREAUX**  
**AVEC TABLEAU À EXTENSION**  
MANUEL D'UTILISATION

**SIERRA PORTÁTIL PARA LOSETAS**  
**CON MESA DE EXTENSIÓN**  
MANUAL DE OPERACIÓN



**⚠ CAUTION** *READ AND FOLLOW ALL SAFETY AND OPERATING INSTRUCTIONS BEFORE USING THIS SAW.*

**⚠ ATTENTION** *LIRE ET SUIVRE TOUTES LES DIRECTIVES DE SÉCURITÉ ET D'OPÉRATION AVANT D'UTILISER CETTE SCIE.*

**⚠ ATENCIÓN** *LEA Y SIGA TODAS LAS INSTRUCCIONES DE FUNCIONAMIENTO Y SEGURIDAD ANTES DE USAR ESTA SIERRA.*

English ..... page 1

**▲WARNING** FOR YOUR OWN SAFETY, READ INSTRUCTION MANUAL BEFORE OPERATING SAW.

1. Always wear safety goggles when cutting.
2. Use blade guard for every operation for which it can be used.
3. Disconnect saw before cleaning or changing blade.
4. Do not use any cutting blade with openings and grooves. Use only continuous rim blades.
5. Replace damaged blade before operating.
6. Do not expose to rain or use in damp locations.

**LIMITED WARRANTY** — Refer to warranty card.

**Q.E.P. Customer Service: 1-866-435-8665**

Français ..... page 12

**▲AVERTISSEMENT** POUR ASSURER VOTRE SECURITE, LISEZ LE MOI DE L'EMPLOI AVANT D'UTILISER LE COUPEUR.

1. Toujours porter des lunettes protectrices pendant la coupe.
2. Utiliser le pare-éclaboussure pour chaque opération dont il peut-être utiliser.
3. Débrancher l'outil avant de la nettoyer ou de changer les roues.
4. Ne pas utiliser des roues à couper avec des trous ou creux. Utiliser seulement des roues à couper lisses.
5. Remplacer les roues à couper endommagés avant de faire fonctionner l'outil.
6. Ne pas exposer à la pluie ou utiliser dans des endroits humides.

**GARANTIE LIMITÉE** — Faire référence à la carte de garantie.

**Support de la clientèle de Q.E.P.: 1-866-435-8665**

Español ..... página 23

**▲ADVERTENCIA** LEE ESTA INSTRUCCION MANUAL ANTES DE USA LA SIERRA PARA TU BIEN.

1. Siempre utilice gafas de protección al cortar.
2. Utilice una capota de protección para cada operación en la cual la puede utilizar.
3. Desconectar la sierra antes de limpiarla o antes de cambiar el disco de corte.
4. No utilice ningún disco de corte que tenga aperturas o ranuras. Solamente utilice discos de corte lisos.
5. Reemplace el disco de corte cuando esté dañado.
6. No la exponga a la lluvia o no la utilice en áreas húmedas.

**GARANTIA LIMITADA** — Referirse a la tarjeta de garantía.

**Servicio al cliente de Q.E.P.: 1-866-435-8665**



**TORQUE MASTER XT  
PORTABLE TILE SAW  
OWNER'S MANUAL**

**TABLE OF CONTENTS**

General safety instructions.....	1
Warning .....	2
Electrical requirements .....	3
Extension cords.....	3
California Proposition 65.....	4
Description.....	4
Assembly .....	5
Operation .....	6
Maintenance .....	8
Troubleshooting.....	8
Parts list .....	9
Exploded parts diagram.....	10

**GENERAL SAFETY  
INSTRUCTIONS**

**▲WARNING** READ THIS OWNER'S MANUAL COMPLETELY AND MAKE SURE YOU UNDERSTAND ALL OF IT'S SAFETY GUIDELINES.

1. **KEEP GUARDS IN PLACE** and in working order.
2. **REMOVE ADJUSTING KEYS AND WRENCHES.** Before turning on the tile saw, make sure the keys and adjusting wrenches have been removed.
3. **KEEP WORK AREA CLEAN.** Cluttered areas and benches invite accidents.
4. **ALWAYS REMAIN ALERT WHEN THE SAW IS IN USE.** Inattention on the part of the operator may lead to serious injury.
5. **DON'T USE IN A DANGEROUS ENVIRONMENT.** Don't use power tools in damp or wet locations or expose them to rain. Keep work area well lit.
6. **KEEP CHILDREN AWAY.** Anyone in the cutting vicinity should remain at a safe distance from work area.

7. **MAKE WORKSHOP CHILD-PROOF** with padlocks, master switches or by removing starter keys.
8. **USE THE RIGHT TOOL.** Don't use a tool or attachment to do a job for which it was not designed.
9. **USE THE PROPER EXTENSION CORD.** Make sure your extension cord is in good condition. When using an extension cord, be sure to use one heavy enough to carry the current your product will draw. An undersized cord will cause a drop in line voltage resulting in loss of power and overheating. TABLE 1 (page 4) shows the correct size to use depending on cord length and nameplate ampere rating. If in doubt, use the next heavier gauge. The smaller the gauge number, the heavier the cord.

10. **DON'T FORCE THE TOOL.** It has been designed to operate at maximum safety and performance levels.

11. **DO NOT FORCE THE MATERIAL BEING CUT.** Always let the blade cut at its own speed.

12. **WEAR PROPER APPAREL.** Do not wear loose clothing, neckties, rings, bracelets or other jewelry which may get caught in moving parts. Non-slip foot wear is recommended. Wear protective hair covering if you have long hair.

13. **ALWAYS USE SAFETY GLASSES.** Also use face or dust mask for commercial cutting operations. Everyday eyeglasses only have impact-resistant lenses, they are NOT safety glasses.

14. **DON'T OVERREACH.** Keep proper footing and balance at all times.

15. **MAINTAIN TOOLS WITH CARE.** Keep tools clean and in good working condition for maximum safety performance.

16. **DISCONNECT SAW BEFORE SERVICING** — when changing accessories, such as blades, bits, cutters, etc.

17. **REDUCE THE RISK OF UNINTENTIONAL STARTING.** Make sure switch is in OFF position before plugging in.

18. **USE RECOMMENDED ACCESSORIES.** Consult the owner's manual for recommended accessories. The use of improper accessories may increase risk of injury.

19. **DO NOT DRY CUT WITH BLADES DESIGNED FOR WET CUTS.**

20. Make sure you **USE THE CORRECT BLADE** for the type of material that is being cut.

21. **NEVER STAND ON TOOL.** Serious injury could occur if the wet saw is tipped or if the cutting tool is unintentionally contacted.

22. **CHECK DAMAGED PARTS.** Before further use of the tool, damaged part(s), (i.e., guard) should be carefully checked to determine that it will operate properly and perform its intended function. Check for alignment of moving parts, binding of moving parts, breakage of parts, mounting and any other condition that may affect the saw's operation. A guard or other part that is damaged should be properly repaired or replaced.

23. Ensure that **BLADE IS TRAVELING THROUGH WATER RESERVOIR FOR WET CUTTING.**

24. **CHECK DIAMOND BLADES** carefully for cracks, nicks, missing diamond matrix or out-of-alignment condition. Replace damaged blades immediately. **DO NOT USE DAMAGED BLADES.** They may cause bodily injury.

25. **DIRECTION OF FEED.** Feed work into the blade against the direction of rotation of the blade only.

26. **DO NOT ALTER THE PLUG** or use a 2-prong receptacle. This saw is equipped with a 3-prong electrical plug.

27. **NEVER LEAVE SAW RUNNING UNATTENDED.** Turn power off. Don't leave tool until it comes to a complete stop.

28. **POSITIONING OF TILE SAW** (see FIGURE 1)

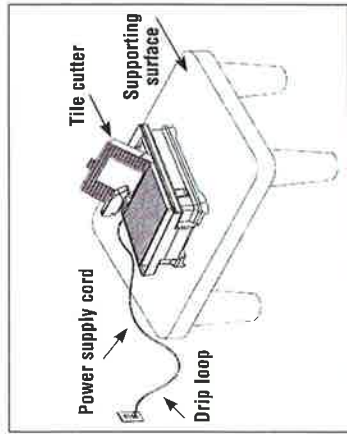


FIGURE 1

To avoid the possibility of the appliance plug or receptacle getting wet, position the tile saw to one side of a wall-mounted receptacle to prevent water from dripping onto the receptacle or plug. The user should arrange a "drip loop" in the cord connecting the saw to a receptacle. The "drip loop" is that part of the cord below the level of the receptacle, or connector if an extension cord is used, to prevent water traveling along the cord and coming in contact with the receptacle.

If the plug or receptacle does get wet, **DO NOT** unplug the cord. Disconnect the fuse or circuit breaker that supplies power to the tool. Then, unplug and examine for presence of water in the receptacle.

**WARNING**

**PERSONAL INJURY CAN OCCUR IF OPERATED IMPROPERLY.**

- Keep fingers and loose clothing away from rotating blade.
- Use extreme caution when cutting tile. Make sure hands and fingers are clear from the blade groove in the table. Severe abrasion, cuts, or pinching of hands or fingers can occur.
- Electrical shock can occur if operating instructions are not followed.

**FOR YOUR OWN SAFETY READ INSTRUCTION MANUAL BEFORE OPERATING SAW.**

- Wear eye protection.

- Use blade guard for every operation for which it can be used.

- Unplug saw before servicing, when changing cutting wheels, and cleaning.

- Use tool only with smooth-edge cutting wheels free of openings and grooves.
- Replace damaged cutting wheel before operating.

- Do not fill water tray above raised over flow drain.

**ELECTRICAL REQUIREMENTS**

1. **THIS TILE SAW MUST BE CONNECTED TO A GROUNDED POWER SOURCE** while in use to protect the operator from electrical shock.

2. **IN THE EVENT OF A MALFUNCTION OR BREAKDOWN**, grounding provides a path of least resistance for electrical current to reduce the risk of electrical shock. This tile saw is equipped with an electrical cord with a grounding conductor and a grounding plug. Insert the 3-prong electrical plug into a 3-pole receptacle that is properly installed and grounded in accordance with all local codes and ordinances.

3. **DO NOT MODIFY THE PLUG** provided if it will not fit the outlet. Have the proper outlet installed by a qualified electrician.

4. **IMPROPER CONNECTION OF THE EQUIPMENT-GROUNDING CONDUCTOR CAN RESULT IN A RISK OF ELECTRIC SHOCK.** The conductor with insulation that is green on the outside (with or without yellow stripes) is the equipment-grounding conductor. If repair or replacement of the electrical cord or plug is necessary, do not connect the equipment-grounding conductor to a live terminal.

5. **CHECK WITH A QUALIFIED ELECTRICIAN** or service personnel if the grounding instructions are not completely understood, or if in doubt as to whether the tool is properly grounded.

6. **USE ONLY 3-WIRE EXTENSION CORDS** that have 3-prong grounding plugs and 3-pole receptacles that accept the tile saw's plug.

7. **REPAIR OR REPLACE DAMAGED OR WORN CORD IMMEDIATELY.**

8. **IF THE PLUG OR RECEPTACLE DOES GET WET, DO NOT UNPLUG THE CORD.** Disconnect the fuse or circuit breaker that supplies power

to the tool. Then, unplug and examine for presence of water in the receptacle.

9. **ONLY UL-LISTED EXTENSION CORDS SHOULD BE USED WITH THIS PRODUCT.**

10. **IMPROPER USE OF EXTENSION CORDS MAY CAUSE INEFFICIENT OPERATION OF YOUR TOOL**, which can result in overheating. Be sure your extension cord is rated to allow sufficient current flow to the motor. For the proper gauge for this tile saw, please refer to TABLE 1 (page 4).

11. **DO NOT LET YOUR FINGERS TOUCH THE TERMINALS** of plug when installing or removing the plug to or from the outlet.

12. **THIS TILE SAW MUST BE PROPERLY GROUNDED.** The risk of electric shock and bodily injury are greatly increased if it is not, particularly when used in damp locations or in proximity to plumbing.

**NOTE:** This saw is intended for use on a circuit that has a grounded outlet box like the one illustrated in FIGURE 2 (B). This saw has a grounding plug that looks like the one illustrated in FIGURE 2 (A).

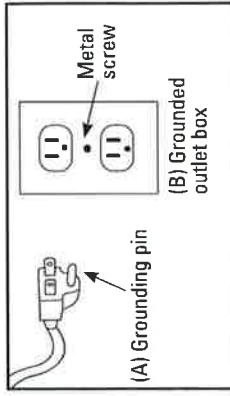


FIGURE 2

**EXTENSION CORDS**

1. Use only extension cords that are intended for outdoor use. These extension cords are identified by a marking "Acceptable for use with outdoor appliances: store indoors while not in use." Use only extension cords having an electrical rating not less than the rating of the product. Do not use damaged extension cords. Examine extension cord before using and replace if damaged. Do not abuse extension cords and do not yank on any cord to disconnect. Keep cord away from heat and sharp edges. Always disconnect the extension cord from the receptacle before disconnecting the product from the extension cord.

Ampere rating	Total length of cord in feet			
	120 V	50 ft.	100 ft.	150 ft.
More than	No more than	25 ft.	100 ft.	150 ft.
		50 ft.	200 ft.	300 ft.
AWG				
0	6	18	16	16
6	10	18	16	14
10	12	16	16	14
12	16	14	12	Not recommended

TABLE 1

**▲ WARNING** TO REDUCE THE RISK OF ELECTROCUTION, KEEP ALL CONNECTIONS DRY AND OFF THE GROUND. DO NOT TOUCH PLUG WITH WET HANDS.

2. Ground Fault Circuit Interrupter (GFCI) protection should be provided on the circuit(s) or outlet(s) to be used for the tile saw. Receptacles are available having built-in GFCI protection and may be used for this measure of safety.

3. **USE PROPER EXTENSION CORD.** Make sure your extension cord is in good condition. When using an extension cord, be sure to use a cord heavy enough to carry the current your product will draw. An undersized cord will cause a drop in line voltage, resulting in loss power and overheating. TABLE 1 shows the correct size to use depending on cord length and nameplate ampere rating. If in doubt, use the next heavier gauge. The smaller the gauge number, the heavier the cord.

**NOTE:** When using an extension cord, ensure all cords are no smaller than #12 gauge, rated at a 20-amp minimum, and equipped with 3-prong plugs. Use of anything smaller may result in overheating or burn out of the motor. It is recommended to have an electrician check the voltage at the saw motor to ensure proper voltage to run the saw efficiently and safely.

## CALIFORNIA PROPOSITION 65

**▲ WARNING** SOME DUST CREATED BY POWER SANDING, SAWING, GRINDING, DRILLING AND OTHER CONSTRUCTION ACTIVITIES CONTAIN CHEMICALS KNOWN TO THE STATE OF CALIFORNIA TO CAUSE CANCER, BIRTH DEFECTS OR OTHER REPRODUCTIVE HARM.

Some examples of these chemicals are:

- Lead from lead-based paints
- Crystalline silica from bricks, cement and other masonry products
- Arsenic and chromium from chemically-treated lumber

Your risk from these exposures varies, depending on how often you do this type of work. To reduce your exposure to these chemicals: work in well ventilated area, and work with approved safety equipment, such as those dust masks that are specifically designed to filter out microscopic particles.

## DESCRIPTION

Before attempting to use any tool, be sure to familiarize yourself with all the operating features and safety instructions.

- The Torque Master XT Tile Saw contains a unique Hi-Torque geared motor, which when in use produces a distinctive loud sound. This is a characteristic of the High Performance motor and is important in producing the torque for optimum cutting performance.
- For best results allow the blade to do the work, rather than forcing the tile through the machine. Should the blade stop, simply ease the tile away and then continue cutting using slightly less pressure.
- Wet cutting.
- Water reservoir completely separated from all electrical components.
- 4 in. continuous rim diamond blade included for cutting tile and other materials.\*
- Adjusting table for precision angle cuts (22.5°, 45°)
- Depth of cut with a 4 in. blade is ¾ in. (19 mm).
- \* This saw comes with a diamond blade that is ideal for cutting ceramic tile. If your project requires the cutting of other substrates, including porcelain, it is recommended that you use the specific type of blade for the material being cut.



## PRODUCT SPECIFICATIONS

- Input: 4 Amps
- No-load Speed: 4600 RPM
- Output: 3.5-Peak HP
- Blade Diameter: 4 in. (100 mm)
- Arbor: 5/8 in.
- Rating: 120 Volts-60 Hz AC
- Depth of Cut: 3/4 in. (19 mm)

- Torque Master XT Tile Saw
- 4 in. Diamond Blade
- Blade guard
- Rip Guide
- 45° Angle Cutting Guide
- Clip on extension table
- Owner's manual

## ASSEMBLY

**▲ CAUTION** FOLLOW ALL OF THE ASSEMBLY AND OPERATION INSTRUCTIONS COMPLETELY BEFORE CONNECTING THE SAW TO A POWER SOURCE OR TURNING THE MOTOR ON.

4. Inspect the saw carefully to make sure that no breakage or damage has occurred during shipping. If any parts are damaged or missing, please call QEP Customer Service at 866-435-8665

**▲ WARNING** IF ANY PARTS ARE DAMAGED OR MISSING, DO NOT ATTEMPT TO OPERATE THIS SAW. OPERATING THIS SAW WITH DAMAGED OR MISSING PARTS COULD RESULT IN POSSIBLE SERIOUS PERSONAL INJURY.

## UNPACKING

1. Remove all packing materials from around your saw.
  2. Carefully lift the saw from carton and place it on a level work surface.
  3. Do not discard the packing materials until you have carefully inspected the saw for loose or damaged parts.
- The following items are included in box with your tile saw:

## INSTALLING THE BLADE

1. To fit the Cutting Blade, first carefully lift the hinged section of the table top. Remove screw from splashboard and remove the splash board to allow access.



- Remove blade shaft nut and outer flange.
- Carefully place the blade onto the shaft and push it against the inner flange.
- Be sure the side of the blade with the directional arrow is facing towards you.
- Place the outer flange and the blade shaft nut onto blade.
- Hold blade and firmly tighten the blade shaft nut, but do not over tighten.
- Replace splashboard and cutting table.
- Insert the blade guard set behind the blade opening. Adjust the height accordingly.
- Remove knob and bolt from the blade guard.
- Slip the back end of the blade guard down over the blade guard support.
- Replace the knob into the blade guard. (See FIGURE 3)



**FIGURE 3**

12. It is suggested that the front of the blade guard be pointed slightly down to minimize the front splash during cutting.

**▲ WARNING USE ONLY CONTINUOUS RIM BLADES WITH THIS SAW. DO NOT USE SEGMENTED, "TURBO" BLADES, WOOD SAWING BLADES, BLADES WITH OPENINGS, OR ANY OTHER CUTTING DEVICES WITH THIS TILE SAW. USING THESE BLADES COULD RESULT IN SERIOUS PERSONAL INJURY AND DAMAGE TO THE SAW.**

**INSTALLING THE RIP GUIDE**

- Place the Rip Guide on the top of the cutting table tighten the rip guide knobs on each side until they snap into place. The guide is marked in both inches and centimeters for accurate cutting. Rip guide can be used on either side of the cutting blade.

**INSTALLING THE ANGLE GUIDE**

- For angle cutting, press the angle guide into place on the rip guide. Loosen the knob and set to desired angle of cut. Re-tighten the knob and position the tile in the angle guide. Then push towards the blade to cut the tile.

**OPERATION**

**IMPORTANT:** ALWAYS turn off the saw and remove the plug from the outlet BEFORE adding or removing accessories and making adjustments.

**▲ WARNING FAILURE TO UNPLUG THE SAW COULD RESULT IN ACCIDENTAL STARTING CAUSING POSSIBLE SERIOUS PERSONAL INJURY.**

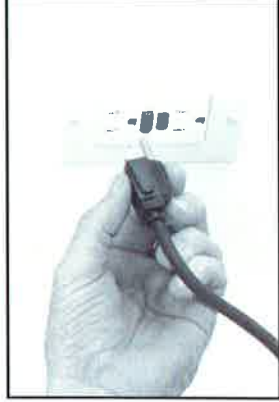
**BEFORE STARTING THE SAW**

- Make sure saw is unplugged.
- Lift the right cutting table and fill the water reservoir to the top of the overflow opening. Do not fill above this level.  
**NOTE:** ALWAYS keep enough water in the reservoir when operating the saw. **DO NOT** let the saw run dry.
- Close right cutting table.

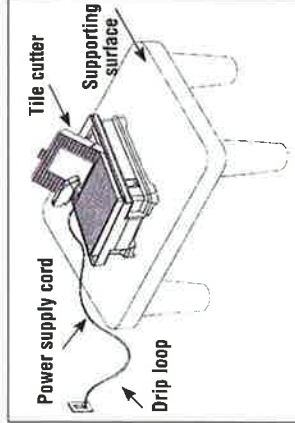
**IMPORTANT:** ALWAYS completely drain the water reservoir and clean thoroughly after each use.

**TO START THE SAW**

- Remove cord from compartment under the saw and connect it to a GFCI (Ground Fault Circuit Interrupter) protected outlet. (See FIGURE 4)



**FIGURE 4**



**FIGURE 5**

- Create "drip loop" in the cord (see FIGURE 5). **USING THE EXTENSION TABLE**

- The extension table can be used to support large format tile.
- Simply slide it out for the best support for the size of the tile you are cutting.

**MAKING CUTS**

The edge of the cutting table has easy-to-see dimensions (in both inches and centimeters) for cutting accuracy.

**IMPORTANT: ALWAYS LET THE BLADE CUT AT ITS OWN SPEED. DO NOT FORCE THE MATERIAL BEING CUT. ALWAYS CHECK THE BLADE FOR CRACKS OR DAMAGE BEFORE EACH USE.**

**MAKING 90° RIP CUTS**

- Install the rip guide by placing it at the desired position according to the width of the cut you are making.
- Place the material to be cut against the rip guide.
- Carefully and slowly feed the material into the blade (see FIGURE 6).
- If necessary, the rip guide can be removed when cutting large format tile.



**FIGURE 6**

**MAKING ANGLE CUTS**

- Install the angle guide on the top of the rip guide.
- Carefully push the angle guide and material towards the blade (see FIGURE 7).



**FIGURE 7**

**MAKING 22.5° - 45° MITER CUTS**  
(see FIGURE 8)

- The right cutting table can be angled at 22.5° or 45°.
- Two braces under the table unfold to support the table at the desired angle.
- Place the material to be cut onto the right cutting table.
- Carefully and slowly feed material into the blade.



**FIGURE 8**

**MAINTENANCE**

**▲ WARNING TO AVOID ACCIDENTS, ALWAYS DISCONNECT THE TOOL FROM THE POWER SOURCE BEFORE CLEANING OR PERFORMING ANY MAINTENANCE**

Please do not try to service this machine on your own.

Avoid using solvents when cleaning plastic parts. Most plastics are susceptible to damage from various types of commercial solvents and may be damaged by their use. Use clean cloths to remove dirt, carbon dust, etc.

**▲ WARNING DO NOT AT ANY TIME LET BRAKE FLUIDS, GASOLINE, PETROLEUM-BASED PRODUCTS, PENETRATING OILS, ETC. COME IN CONTACT WITH PLASTIC PARTS. THEY CONTAIN CHEMICALS THAT CAN DAMAGE, WEAKEN OR DESTROY PLASTIC.**

1. ALWAYS clean the tile saw after each use and store it in a dry location.
2. ALWAYS wipe off all exterior surfaces and keep the cutting table clean and free of all debris.
3. ALWAYS check the blade for cracks or damage BEFORE each use.
4. ALWAYS store the cord in the compartment underneath the saw after each use.

#### DIAMOND BLADES

- Use only 4 in. (100 mm) continuous rim diamond blades with a 5/8" arbor opening in this saw. Failure to do so may result in severe bodily injury and damage to the saw.
- The diamond blade that comes with this saw will cut ceramic tile. Due to the hardness of some hard tiles including porcelain, slate and stone, purchasing a blade specifically designed to cut these hard tiles, will speed up the cutting time required. **IMPORTANT:** Always let the blade cut at its own speed, moving the material slowly into the blade. Do not force the material being cut.

#### DIAMOND BLADE DO'S & DON'TS

1. DO inspect blades daily for cracks or uneven wear. Discard cracked, chipped or bent blades!
2. DO use manufacturer's recommendation for matching the right blade with the right material being cut.
3. DO inspect the arbor shaft for uneven wear before mounting the blade.
4. DO use blades with the correct arbor size on a compatible arbor shaft.

5. DO ensure the blade is mounted with the rotation arrow in the proper direction and is securely tightened with a wrench.

6. DO wear proper safety equipment at all times when operating the saw. Wear goggles and dust mask at all times when operating saw.

7. DO periodically check the blade for cracks or bond fatigue.

8. DO ensure that blade is traveling through water reservoir for wet cutting.

1. DO NOT operate the saw without all safety guards in position.
2. DO NOT operate the saw with blades larger or smaller than recommended.
3. DO NOT use blades not recommended for wet cuts.
4. DO NOT exceed maximum RPMs recommended by the blade manufacturer.
5. DO NOT force the material into the blade. Let the blade cut at its own speed.
6. DO NOT cut material not recommended by the blade manufacturer.

#### TROUBLESHOOTING

##### OVERHEATING OF SAW:

1. Turn saw off and let it rest until motor is cool to the touch.
2. Check and clean the ventilation slots, removing blockage and dirt.
3. A thermal protector has been added to the motor to make sure that the machine will be tripped when the saw overheats. This will prevent the motor from burning out. Therefore, please turn the machine off to let it cool down before re-starting the saw.

##### THE SAW DOES NOT START:

1. Check that power cord is properly plugged in.
2. Check outlet power source and circuit breaker.
3. Check that UL - Listed extension cord is in working order if used

##### O.E.P. CUSTOMER SERVICE:

**1-866-435-8665**

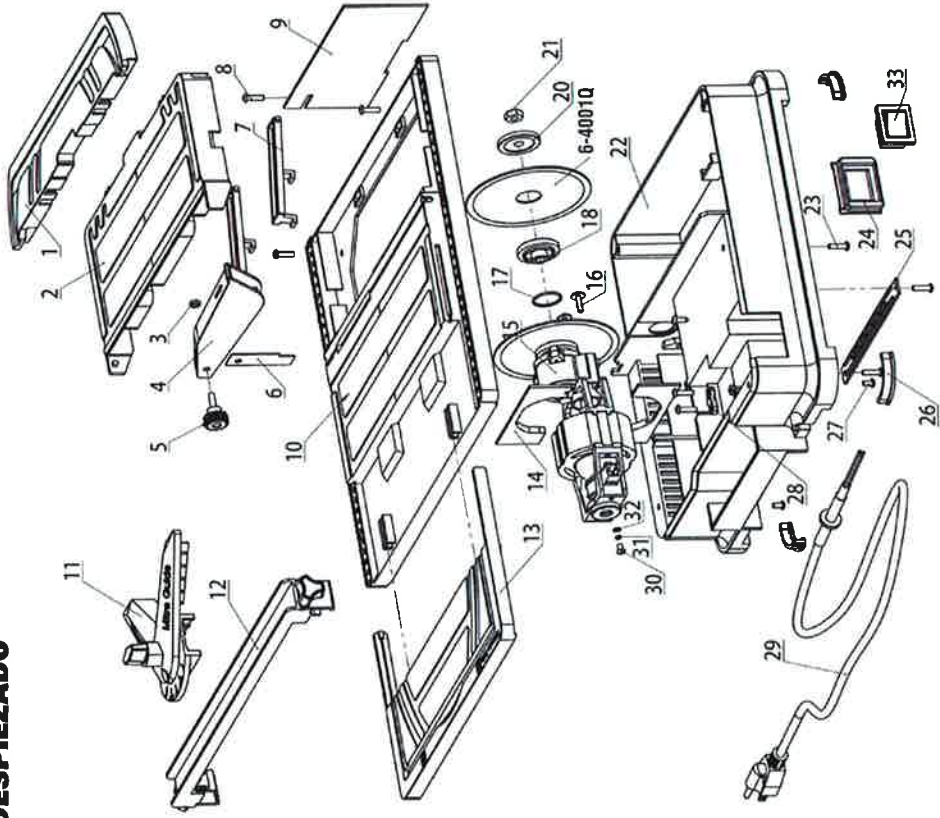
## PARTS LIST

See exploded parts (p. 10)

PARTS#	PARTS NAME	QTY.
224000-001	Right Extension Tray	1
224000-002	Left Cutting Table	1
224000-003	M5 Nut	1
224000-004	Blade Guard	1
224000-005	Locking Knob for the Blade Guard	1
224000-006	Bracket for the Blade Guard	1
224000-007	Bracket for the Miter Guide	2
224000-008	Tapping Screw ST2.9 x 12-F	3
224000-009	Spray Baffle	1
224000-010	Center Cutting Table	1
224000-011	Angle Guide	1
224000-012	Rip Guide	1
224000-013	Left Extension Table	1
224000-014	Wind Baffle	2
224000-015	Motor	1
224000-016	Hexagon Screw M4x16	2
224000-017	Rubber Sealing Hoop	1
224000-018	Inner Flange	1
6-4001Q	Blade	1
224000-020	Outer Flange	1
224000-021	M8 Nut	1
224000-022	Base	1
224000-023	Tapping Screw ST4.2 x 15-F	4
224000-024	Frame for the Switch	1
224000-025	Block for the Power Cord	1
224000-026	Feet	4
224000-027	Tapping Screw ST4.2 x 9-F	2
224000-028	Frame for the Cord	
224000-029	Power Cord	1
224000-030	Pan Head Screw with Cross Recess	1
224000-031	Flexible Pad $\phi 4$	1
224000-032	Washer with Inner Dentation $\phi 4$	1
224000-033	Switch	1

**NOTES / NOTES / NOTAS**

**EXPLODED PARTS  
PIÈCES ÉSCALATÉES  
DESPIEZADO**







# SCIE PORTATIVE POUR CARREAUX AVEC TABLEAU À EXTENSION

MANUEL D'UTILISATION

## TABLE DES MATIÈRES

Règles générales sur la sécurité .....	12
Avertissement .....	13
Installations électriques .....	14
Rallonges électriques .....	14
Proposition 65 de la Californie .....	15
Description .....	15
Assemblage .....	16
Fonctionnement .....	17
Entretien .....	19
Dépannages .....	20
Liste de pièces .....	22
Pièces éclatées .....	22

## RÈGLES GÉNÉRALES SUR LA SÉCURITÉ

### ▲ AVERTISSEMENT

**LIRE CE  
MANUEL D'UTILISATION AU COMPLET ET  
S'ASSURER DE BIEN COMPRENDRE TOUTES LES  
CONSIGNES DE SÉCURITÉ.**

- 1. LAISSER LES ACCESSOIRES DE PROTECTION EN PLACE** et en état de marche.
- 2. ENLEVER LES CLÉS DE RÉGLAGE ET LES CLÉS.** Prendre l'habitude de vérifier si elles sont bien enlevées avant de faire démarrer la scie.
- 3. GARDER VOTRE ZONE DE TRAVAIL PROPRE.** Les accidents sont souvent dus à des endroits encombrés et au désordre sur un établi.
- 4. TOUJOURS DEMEURER ALERTÉ LORS DE L'UTILISATION DE LA SCIE.** Un moment d'inattention de la part de l'opérateur peut entraîner des blessures graves.
- 5. NE PAS TRAVAILLER DANS UN ENVIRONNEMENT DANGEREUX.** Éviter d'utiliser des outils électriques dans des endroits humides ou mouillés, et encore moins sous la pluie. Veillez à bien éclairer votre zone de travail.

- 6. GARDER LES ENFANTS HORS DE PORTÉE.** Les visiteurs doivent se tenir suffisamment à l'écart de votre zone de travail.
- 7. RENDRE VOTRE ATELIER À L'ÉPREUVE DES ENFANTS** au moyen de cadenas, d'interrupteurs généraux ou en enlevant les clés de contact des appareils.
- 8. UTILISER L'OUTIL APPROPRIÉ.** Ne pas forcer l'outil ou l'accessoire à faire un travail pour lequel ils ne sont pas conçus.
- 9. S'ASSURER QUE VOTRE RALLONGE SOIT EN BON ÉTAT** et qu'elle soit d'un calibre suffisant pour supporter le courant que votre appareil soutiendra. Une rallonge de calibre insuffisant causera une perte de tension et provoquera ainsi une panne électrique et un surchauffage. Le tableau (se reporter au TABLEAU 1 - page 15) indique les calibres à utiliser selon la longueur de la rallonge et la puissance nominale en ampères. En cas de doute, utiliser le calibre supérieur. Plus le numéro de jauge est petit, plus le calibre est élevé.

**10. NE PAS FORCER L'OUTIL.** Il fonctionnera mieux et il y aura moins de risques s'il est utilisé selon ses normes.

**11. NE PAS FORCER LE MATÉRIAU À COUPER.**

Toujours laisser la lame couper à son propre rythme.

- 12. PORTER LES VÊTEMENTS APPROPRIÉS.** Évitez de porter des vêtements amples, des cravates, des bagues, des bracelets ou des bijoux qui risquent de s'accrocher dans les éléments mobiles. Il est recommandé de porter des chaussures à semelles antidérapantes. Si vous avez des cheveux longs, couvrez les pour les protéger.
- 13. TOUJOURS PORTER DES LUNETTES DE SÉCURITÉ.** Portez également un masque facial ou anti-poussières lors des opérations de coupe commerciales. Les lunettes de tous les jours ne sont munies que de lentilles résistantes aux chocs; ce ne sont PAS des lunettes de protection.
- 14. NE PAS UTILISER LA SCIE À BOUT DE BRAS.** Gardez les pieds fermement au sol et un bon équilibre en permanence.

**15. ENTRETIENNER LES OUTILS AVEC SOINS.** Garder les outils propres et en bon état pour obtenir un rendement sécuritaire maximal.

**16. DÉBRANCHER LA SCIE AVANT D'EFFECTUER L'ENTRETIEN,** de remplacer des accessoires tels que les lames, les forets, les coupeurs, etc.

**17. RÉDUIRE LES RISQUES DE DÉMARRAGE ACCIDENTEL.** Vérifier que l'interrupteur soit bien à la position OFF (éteint) avant de le brancher.

**18. UTILISER LES ACCESSOIRES RECOMMANDÉS.** Consulter le manuel d'utilisation pour la liste des accessoires recommandés. L'utilisation d'accessoires inappropriés peut augmenter les risques de blessure.

**19. NE PAS COUPER À SEC AVEC DES LAMES CONÇUES POUR LES COUPES AU MOUILLE.**

**20. S'ASSURER D'UTILISER LES LAMES APPROPRIÉES** pour le travail à effectuer.

**21. NE JAMAIS SE TENIR DEBOUT SUR L'OUTIL.** Cela risque de causer des blessures graves si l'outil bascule ou entre accidentellement en contact avec la personne.

**22. VÉRIFIER LES PIÈCES ENDOMMAGÉES.**

Avant d'utiliser l'outil, vérifier s'il y a des pièces endommagées (un protecteur, par exemple) avec soin pour s'assurer qu'elles fonctionneront correctement et qu'elles effectueront la fonction pour laquelle elles ont été conçues. Vérifier l'alignement des pièces mobiles, leurs fixations, les risques de rupture, leur montage et tout autre élément pouvant affecter le fonctionnement de la scie. Réparer ou remplacer tout protecteur ou pièce endommagée.

**23. Vérifier à ce que LA LAME SE DÉPLACE À TRAVERS LE RÉSERVOIR D'EAU POUR LES COUPES À EAU.**

**24. EXAMINER LES LAMES À TRANCHANT AU DIAMANT AVEC SOINS** pour s'assurer qu'elles

n'ont pas de fissures, d'entailles, que toutes les matrices au diamant soient présentes et qu'elles soient ou bien alignées. Remplacer les lames endommagées immédiatement. **NE PAS UTILISER UNE LAME ENDOMMAGÉE.** Elle risque de causer des blessures.

**25. SENS DE L'ALIMENTATION.** Alimenter la pièce à découper en direction opposée à la rotation du disque.

**26. NE PAS MODIFIER LA FICHE OU UTILISER UNE PRISE DE COURANT BIPOLAIRE.** Cette scie est munie d'une fiche électrique à 3 broches.

**27. NE JAMAIS LAISSER LA SCIE FONCTIONNER SANS SURVEILLANCE.** Éteindre l'outil et ne pas le laisser avant qu'il ne se soit arrêté complètement.

## 28. COMMENT PLACER LA SCIE À CARREAUX

(voir FIGURE 1)

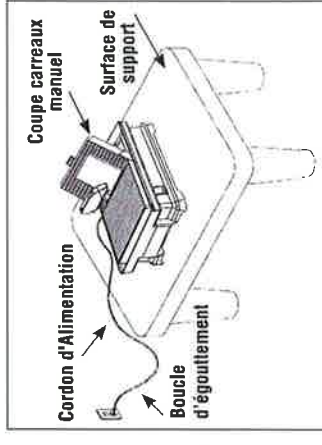


FIGURE 1

• Afin d'éviter de mouiller la fiche de l'appareil ou la prise de courant, placer la scie à carreaux du côté d'une prise de courant murale afin d'empêcher l'eau de s'égoutter dans la prise ou la fiche. L'utilisateur doit arranger une boucle d'égoûttement dans le cordon reliant la scie à la prise de courant. La boucle d'égoûttement est la partie du cordon qui se trouve sous le niveau de la prise, ou du connecteur dans le cas d'utilisation d'une rallonge, pour empêcher l'eau de s'égoutter le long du cordon et d'entrer en contact avec la prise.

• Si la fiche ou la prise entrent en contact avec de l'eau, **NE PAS** débrancher le cordon. Débrancher le fusible ou le disjoncteur qui alimente l'outil. Ensuite, débrancher l'appareil et vérifier s'il y a de l'eau dans la prise.

## AVERTISSEMENT

**IL Y A DES RISQUES DE BLESSURE SI L'OUTIL N'EST PAS UTILISÉ CORRECTEMENT.**

- Garder les doigts et les vêtements amples loin de la lame rotative.
- Faire extrêmement attention lors de la coupe de carreaux. S'assurer de bien éloigner les mains et les doigts de l'encoche de fixation de la lame dans la table. Des risques d'abrasions, de coupures ou de pincement graves existent.
- Il y a des risques d'électrocution si le mode d'emploi n'est pas respecté



## POUR VOTRE PROPRE SÉCURITÉ, LIRE CE MANUEL D'ENTRETIEN AVANT D'UTILISER LA SCIE.

- Porter des lunettes de sécurité
- Utiliser l'écran anti-éclaboussures autant que possible
- Débrancher la scie avant d'en effectuer l'entretien, de changer les disques de coupe ou de la nettoyer
- Utiliser l'outil seulement avec des disques lisses sans tentes et encoches
- Remplacer les disques endommagés avant d'utiliser l'appareil
- Ne pas remplir le bac d'eau au-dessus du niveau de vidange

## INSTALLATIONS ÉLECTRIQUES

- 1. BRANCHER L'APPAREIL À LA SOURCE D'ÉNERGIE.** Pour protéger l'utilisateur contre toute possibilité et tout risque d'électrocution, cet outil doit être branché dans une prise mise à la terre.
- 2. DANS LE CAS D'UN MAUVAIS FONCTIONNEMENT OU D'UNE PANNE,** la mise à la terre fournit un chemin de moindre résistance au courant électrique et réduit le risque de choc électrique. Cet outil est équipé d'un cordon électrique avec conducteur de terre et fiche de masse. Brancher la fiche électrique à 3 broches dans une prise tripolaire installée adéquatement et mise à la terre conformément aux règles et ordonnances locales.
- 3. NE PAS MODIFIER LA FICHE FOURNIE** si elle ne convient pas à votre prise. Faire installer la prise nécessaire par un électricien qualifié.
- 4. UNE CONNEXION INCORRECTE DU CONDUCTEUR DE TERRE PEUT CRÉER UN RISQUE D'ÉLECTROCUTION.** Le fil isolé de couleur verte (avec ou sans rayures jaunes) est le conducteur de terre de l'appareil. Si le cordon électrique ou la fiche doivent être réparés, ne pas relier le conducteur de terre de l'appareil à une borne positive.
- 5. VÉRIFIER AUPRÈS D'UN ÉLECTRICIEN OU D'UN EMPLOYÉ DE MAINTENANCE QUALIFIÉS** si les directives de mise à la terre ne sont pas bien comprises ou en cas de doute quant à la mise à la terre de l'outil.
- 6. N'UTILISER QUE DES RALLONGES À 3 FILS** avec un fil de mise à la terre et des prises tripolaires qui correspondent à la fiche de l'outil.

## 7. RÉPARER OU REMPLACER IMMÉDIATEMENT LES CORDONS ÉLECTRIQUES ENDOMMAGÉS OU USÉS.

- 8. SI LA PRISE ENTRENT EN CONTACT AVEC DE L'EAU, NE PAS DEBRANCHER LE CORDON.** Débrancher le fusible ou le disjoncteur qui alimentent l'outil. Ensuite, débrancher l'appareil et vérifier s'il y a de l'eau dans la prise.
- 9. N'UTILISER QUE LES RALLONGES ÉLECTRIQUES CLASSÉES UL.**

**10. L'UTILISATION DES RALLONGES ÉLECTRIQUES DE CAPACITÉ INSUFFISANTE RISQUE DE MAL FAIRE FONCTIONNER L'OUTIL** et provoquer une surchauffe. S'assurer que le calibre de la rallonge électrique soit suffisant pour alimenter le moteur. Pour connaître le calibre nécessaire pour cette scie à eau, se reporter au TABLEAU 1 (page 15).

**11. NE JAMAIS LAISSER VOS DOIGTS ENTRER EN CONTACT AVEC LES BROCHES** de la prise lorsque vous branchez ou débranchez l'alimentation.

**12. CETTE SCIE À EAU DOIT ÊTRE MISE À LA TERRE CORRECTEMENT,** sinon les risques d'électrocution et de blessures augmentent énormément, particulièrement lorsque l'outil est utilisé dans des endroits humides ou près de la tuyauterie.

**NOTE:** Cet outil est destiné à un usage sur un circuit avec une prise qui ressemble à celui illustré dans la FIGURE 2(B). L'outil a une fiche de mise à la terre qui ressemble à la fiche illustrée dans la FIGURE 2(A).

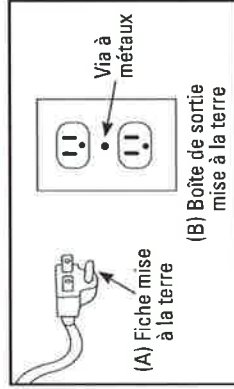


FIGURE 2

## RALLONGES ÉLECTRIQUES

1. N'utiliser que des rallonges électriques conçues pour être utilisées à l'extérieur. Ces rallonges sont identifiées par une étiquette "Peut être utilisée avec des appareils de plein air. Ranger à l'intérieur lorsqu'elle n'est pas utilisée." N'utiliser que des rallonges qui possèdent un

Ampérage	Rallonge – longueur en mètres			
	8,7 m	15,24 m	30,48 m	60,96 m
Plus de	15,24 m	30,48 m	60,96 m	91,44 m
	AWG			
0 A	18	16	16	14
6 A	18	16	14	12
10 A	16	16	14	12
12 A	14	12	Non recommandé	

TABLEAU 1

calibre électrique équivalent ou supérieur au calibre de l'appareil. Ne pas utiliser de rallonges endommagées. Examiner la rallonge avant de l'utiliser et la remplacer si elle est endommagée. Ne pas maltraiter les rallonges électriques et ne pas les tirer brusquement pour les débrancher. Garder les rallonges loin de toute source de chaleur et d'arêtes vives. Toujours débrancher la rallonge de la prise de courant avant de débrancher l'appareil de la rallonge.

## ▲ AVERTISSEMENT

**AFIN DE RÉDUIRE LES RISQUES D'ÉLECTROCUTION, GARDER TOUTES LES CONNEXIONS SÈCHES ET DÉGAGÉES DU SOL. NE PAS TOUCHER À LA FICHE LORSQUE LES MAINS SONT MOUILLÉES.**

2. Un interrupteur de défaut à la terre doit être présent sur le(s) circuit(s) ou la(s) sortie(s) en vue d'être utilisé avec la scie à carreaux. Il existe des prises de courant munies d'un interrupteur de défaut à la terre intégré qui peuvent être utilisées pour cette mesure de sécurité.

**3. UTILISER UNE RALLONGE APPROPRIÉE.** S'assurer que la rallonge soit en bon état et qu'elle soit de calibre suffisant pour supporter le courant que votre appareil soutiendra. Une rallonge de calibre insuffisant causera une perte de tension et provoquera ainsi une panne électrique et une surchauffe. TABLEAU 1 indique les calibres à utiliser, selon la longueur de la rallonge, ainsi que la puissance nominale en ampères. En cas de doute, utiliser le calibre supérieur suivant. Plus le numéro de jauge est petit, plus le calibre est élevé.

**NOTE:** Lors de l'utilisation d'une rallonge, s'assurer que cette dernière ne soit pas d'un calibre inférieur à 12, qu'elle possède un ampère nominal d'au moins 20 ampères et qu'elle soit équipée de prises à 3 broches. L'utilisation de toute rallonge de capacité inférieure peut provoquer une surchauffe ou l'usure prématurée du moteur. Il est recommandé de faire vérifier la tension du moteur de la scie

par un électricien professionnel afin d'assurer la sécurité de l'utilisateur et du fonctionnement de l'outil.

## PROPOSITION 65 DE LA CALIFORNIE

### ▲ AVERTISSEMENT

**LA POUDDRE PRODUITE PAR CERTAINES MÉTHODES DE LA CONSTRUCTION – TEL QUE LE SABLAGE, LE SCIAGE, LE BROYAGE, ET LE PERÇAGE – CONTIENT DES RISQUES CHIMIQUES QUE L'ÉTAT DE LA CALIFORNIE CONSIDÈRE CANCÉREUX ET QUI PEUVENT CAUSER DES ANOMALIES CONGÉNITALES.**

Certains exemples sont:

- Plomb cristallisé des peintures à base de plomb
- Silice déshydratée dérivée des briques, du ciment, et autres produits de maçonnerie
- Arsenic et chrome dérivés de bois chimiquement traité

Vous risquez d'être exposé à ces situations dépend de la fréquence de ce type de travail. Pour réduire l'occurrence d'être exposé à ces risques chimiques, travailler dans un endroit qui est bien ventilé et avec l'équipement de sûreté, ainsi que des masques antipoussières qui sont conçus pour filtrer les particules microscopiques.

## DESCRIPTION

Avant d'essayer d'utiliser cet outil, familiarisez-vous avec tout le contenu de ce manuel.

- La Scie Torque Master XT comprend un moteur à vitesse démultipliée unique, qui produit un grand bruit distinctif. Une caractéristique importante du moteur à Haut Rendement, ce bruit produit le couple qui garantit une performance de coupe optimale.
- Pour obtenir de meilleurs résultats, permettre

à la lame d'effectuer le travail, plutôt que de forcer le carreau contre la machine. Si la lame s'arrête, retirer tout simplement le carreau puis continuer à couper en utilisant un peu moins de pression.

- Moteur à entraînement direct.
- Coupe humide.
- Réservoir d'eau entièrement séparé de tous les composants électriques.
- Lame diamantée à rebord continu de 100 mm (4 po) incluse pour couper les carreaux et autres matériaux.
- Table réglable pour les coupes angulaires de précision (22,5°, 45°)
- La profondeur de coupe avec une lame de 100 mm (4 po) est de 19 mm.

\* Cette scie vient avec une lame diamantée qui est idéale pour couper le carreau de céramique. Si votre projet exige de couper d'autres substrats, y compris la porcelaine, il est recommandé d'utiliser une lame spécifique pour le matériel à couper.

#### SPÉCIFICATIONS DU PRODUIT

Puissance absorbée: **4 Ampères**  
 Vitesse de rotation à vide: **4600 tr/min**  
 Puissance utile: **Maximum de 35 HP**  
 Diamètre de lame: **100 mm**  
 Arbre: **16 mm**  
 Caractéristiques nominales:  
**120 Volts, 60 Hertz**  
 Épaisseur de coupe: **19 mm**

#### ASSEMBLAGE

##### ▲ ATTENTION SUIVRE TOUTES LES DIRECTIVES D'ASSEMBLAGE ET D'INSTALLATION AVANT DE BRANCHER LA SCIE À UNE SOURCE D'ALIMENTATION OU AVANT DE LA DÉMARRER.

1. Enlever tous matériaux d'emballage autour de votre sci.

#### DÉBALLAGE

1. Soulever la scie du carton doucement et déposer-la sur une surface plate.

2. Ne pas jeter les matériaux d'emballage jusqu'à ce que vous ayez soigneusement inspecté la scie pour des pièces endommagées ou manquantes. Les parties suivantes sont incluses avec votre scie:

- Scie portative avec table à rallonge
- Lame diamantée de 100 mm (4 po)
- Guide de coupe à angle de 45°
- Protecteur de lame
- Manuel du propriétaire
- Table à rallonge avec clip
- Guide en long

3. Inspecter bien la scie pour s'assurer qu'aucune pièce n'a été brisée ou cassé pendant le transport. Veuillez contacter le Service à la Clientèle de QEP au 866-435-8665

##### ▲ AVERTISSEMENT N'ESSAYER PAS D'UTILISER LA SCIE SI VOUS AVEZ DES PIÈCES ENDOMMAGÉES OU MANQUANTES. L'USAGE DE CETTE SCIE AVEC DES PIÈCES ENDOMMAGÉES OU MANQUANTES POURRAIT ABOUTIR À DES BLESSURES GRAVES.

1. Pour monter la lame de coupe, soulever doucement la section articulée de la table. Dévisser la tôle antibarbotage et enlever la tôle pour permettre l'accès à la lame.

#### INSTALLER LA LAME

2. Enlever l'écrou de l'arbre de la lame et la rondelle extérieure.

3. Placer soigneusement la lame sur l'arbre en la poussant vers le haut contre la rondelle intérieure.

4. S'assurer que les flèches directionnelles de la lame soient vers vous.

5. Placer la rondelle extérieure et l'écrou de l'arbre de la lame.

6. Positionner la lame et bien visser l'écrou, sans trop serrer.

7. Remettre la tôle antibarbotage en place et la table de coupe

8. Fermer la section articulée de la table puis insérer le couvre-lame installé derrière l'ouverture de la lame. Ajuster la hauteur en conséquence.

9. Enlever le bouton et le boulon du protecteur de lame.

10. Glisser l'arrière du protecteur de lame vers le bas au-dessus du support du protecteur.

11. Remplacer le bouton dans le protecteur de lame. (Voir FIGURES)



FIGURE 3

12. Il est recommandé de garder le devant du protecteur de lame légèrement tourné vers le bas

afin de minimiser les éclaboussures pendant les coupes.

##### ▲ AVERTISSEMENT UTILISER SEULEMENT LES LAMES CIRCULAIRES AVEC CETTE SCIE. N'UTILISER PAS DE LAMES À SEGMENTS «TURBO». DES LAMES POUR SCIE À TOUT AUTRE DISPOSITIF DE COUPE AVEC CETTE SCIE. L'UTILISATION DE TELLES LAMES PEUT CAUSER DES BLESSURES GRAVES OU ABÎMER LA SCIE.

1. Placer le Guide pour faire des coupes droites sur la table de coupe et serrer les bouton situés de chaque côté du guide jusqu'à ce qu'ils s'enclenchent en place. Le guide est gradué en pouces et en centimètres pour effectuer des coupes précises! Il peut être utilisé de chaque côté de la lame

#### INSTALLER LE GUIDE PARRALLÈLE

1. Pour la coupe d'angle, presser le guide pour faire des coupes d'angles en place sur le guide pour faire des coupes droites. Desserrer le bouton et le positionner selon l'angle de coupe désiré. Resserrer le bouton et poser le carreau dans le guide de coupe d'angle. Pousser vers la lame pour couper le carreau.

#### INSTALLER LE GUIDE D'ONGLET

1. Pour la coupe d'angle, presser le guide pour faire des coupes d'angles en place sur le guide pour faire des coupes droites. Desserrer le bouton et le positionner selon l'angle de coupe désiré. Resserrer le bouton et poser le carreau dans le guide de coupe d'angle. Pousser vers la lame pour couper le carreau.

#### FONCTIONNEMENT

IMPORTANT: Débrancher TOUJOURS la scie de la prise de courant AVANT d'ajouter ou d'enlever des accessoires et avant de faire des réglages.

##### ▲ AVERTISSEMENT EN LAISSANT LA SCIE BRANCHER, VOUS POUVEZ RISQUER DE LA DÉMARRER ACCIDENTELLEMENT ET DE CAUSER DES BLESSURES GRAVES.

#### AVANT DE FAIRE DÉMARRER LA SCIE

1. Vérifier à ce que la scie soit brancher.
2. Soulever la table de coupe droite et remplir le réservoir d'eau jusqu'à l'ouverture de débordement. Ne pas remplir au-dessus de ce niveau.

**NOTER:** Garder **TOUJOURS** assez d'eau dans le réservoir pendant le fonctionnement de la scie. **NE** laisser **PAS** la scie marcher à sec.

3. Fermer la table de coupe droite.

**IMPORTANT:** Drainer **TOUJOURS** le réservoir d'eau entièrement et nettoyer avec soin après chaque usage.

#### DÉMARRER LA SCIE

1. Enlever le cordon situé dans le compartiment en dessous de la scie et brancher-le dans une sortie protégée GFCI (Disjoncteur de Fuite à la Terre) (voir FIGURE 4).



FIGURE 4

2. Arranger une "boucle d'égouttement" avec le cordon (voir FIGURE 5).

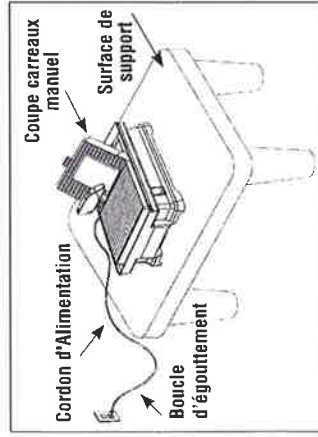


FIGURE 5

#### UTILISATION DE LA TABLE À ALLONGE

1. La table à allonge peut être utilisée pour soutenir les grands carreaux.

2. Il suffit de la glisser hors de la table afin de trouver le meilleur support pour la taille de carreau à couper.

#### COUPE

Des mesures faciles à voir (en centimètre ainsi qu'en pouce) sont situées sur le bord de la table de coupe pour créer des coupes avec précision.

**IMPORTANT:** Laisser **TOUJOURS** la lame couper à sa propre vitesse. **NE** forcer **PAS** le matériel à couper. Vérifier **TOUJOURS** la lame pour tout signe de fissures ou de dommages **AVANT** chaque usage.

#### COUPES EN LONG DE 90°

1. Installer le guide parallèle en la plaçant sur la position désirée en accordance avec la largeur de la coupe à faire.

2. Placer le matériel à couper contre le guide.

3. Pousser doucement le matériel vers la lame. (voir FIGURE 6)



FIGURE 6

#### COUPE EN DIAGONALE

1. Installer le guide d'angle au-dessus du guide parallèle.

2. Pousser doucement le guide d'angle et le matériel vers la lame (voir FIGURE 7).



FIGURE 7

#### COUPE D'ONGLET

(voir FIGURE 8)

1. La table de coupe droite s'incline pour s'ajuster à des angles de 22,5° et 45°.

2. Deux renforts se déploient sous la table pour soutenir la table à l'angle désiré.

3. Placer le matériel à couper sur la table de coupe droite.

4. Pousser doucement et lentement le matériel vers la lame.



FIGURE 8

#### ENTRETIEN

#### ▲ AVERTISSEMENT AFIN D'ÉVITER LES ACCIDENTS, DÉBRANCHER TOUJOURS L'OUTIL DE SA SOURCE D'ALIMENTATION AVANT DE LA NETTOYER OU DE L'ENTRETIENIR.

N'essayer jamais d'entretenir cette machine de vous-même.

Éviter d'utiliser des solvants pour nettoyer les pièces en plastique. La plupart des plastiques sont susceptibles aux dommages causés par les solvants commerciaux de différents genres et peuvent être endommagés par leur usage. Utiliser un chiffon propre pour nettoyer la saleté, la poussière de charbon, etc.

#### ▲ AVERTISSEMENT NE JAMAIS LAISSER LES LIQUIDES DE FREINS, L'ESSENCE, LES PRODUITS À BASE DE PÉTROLE, LES HUILES PÉNÉTRANTES, ETC. ENTRER EN CONTACT AVEC LES PIÈCES EN PLASTIQUE. ILS CONTIENNENT DES PRODUITS CHIMIQUES QUI PEUVENT ABÍMER, AFFAÍBLIR OU DÉTRUIRE LE PLASTIQUE.

1. Nettoyer **TOUJOURS** la scie après chaque usage et ranger-la dans un endroit sec.

2. Essuyer **TOUJOURS** les surfaces extérieures et garder la table de coupe propre et sans débris.

3. Vérifier **TOUJOURS** la lame pour tout signe de fissure ou de dommages **AVANT** chaque usage.

4. Ranger **TOUJOURS** le cordon dans le compartiment situé au-dessous de la scie après chaque usage.

#### LAMES DIAMANTÉES

- Utiliser uniquement des lames diamantées à bord continu de 4" (100mm) avec un arbre de 16mm avec cette scie. L'utilisation d'autres types de lames peut causer des blessures graves et endommager la scie.

- La lame diamantée fournie avec cette scie coupe la céramique. En raison de la dureté de carrelage dur, y compris certaines porcelaine, ardoises et pierres, l'achat d'une lame spécialement conçue pour couper ces carreaux durs vous permettra d'accélérer le temps de coupe requise.

#### CE QU'IL FAUT FAIRE ET NE PAS FAIRE, POUR LES LAMES DIAMANTÉES

1. Examiner les disques quotidiennement pour s'assurer qu'ils n'aient pas de fissures ou qu'ils ne soient pas usés. Jeter les disques craquelés, ébréchés ou tordus!

2. Toujours respecter les recommandations du fabricant quant à l'utilisation du disque approprié au type de travail à accomplir.

3. S'assurer que l'arbre ne soit pas usé de façon inégale avant d'installer le disque.

4. Toujours utiliser des disques avec un mandrin de dimension adéquate sur un arbre de mandrin compatible.

5. S'assurer que le disque soit installé avec la flèche de rotation dans la bonne direction et qu'il soit bien serré au moyen d'une clé.

6. Toujours porter l'équipement de sécurité nécessaire lors de l'utilisation de la scie. Toujours porter des lunettes de sécurité et un masque anti-poussières lors du fonctionnement de la scie.

7. S'assurer périodiquement que le disque n'ait pas de fissures ou qu'il ne soit pas déformé.

8. Vérifier à ce que la lame se déplace à travers le réservoir d'eau pour les coupes à eau.



1. Ne pas utiliser la scie sans que tous les dispositifs de protection ne soient en place.
2. Ne faites pas fonctionner la scie avec des lames plus larges ou plus petites que ce qui est recommandé.
3. Ne pas utiliser une lame qui n'est pas recommandée pour les coupes humides fabricant du disque.
4. Ne pas excéder la vitesse recommandée par le fabricant du disque.
5. Ne pas forcer le matériel à couper. Laisser le disque couper à sa propre vitesse.
6. Ne pas couper des matériaux qui ne sont pas recommandés par le fabricant du disque.

### **DÉPANNAGES**

#### **SURCHAUFFE DE LA SCIE:**

1. Arrêtez la scie linéaire et laissez-la reposer jusqu'à ce que le moteur soit frais au toucher.
2. Vérifiez et nettoyez les fentes de ventilation en retirant tout blocage et toute poussière.
3. Un protecteur thermique a été intégré au moteur pour que le mécanisme se déclenche en case de surchauffe. Cela empêchera le moteur de griller. Pour cette raison, veuillez éteindre la machine pour la laisser refroidir avant de la redémarrer.

#### **LA SCIE NE DÉMARRE PAS:**

1. Vérifiez que le cordon est bien branché.
2. Examiner la source d'alimentation et le disjoncteur.
3. Si vous allez utiliser une rallonge, vérifiez qu'elle est homologuée UL et en bon état.
4. Sans clé de sécurité

#### **SUPPORT DE LA CLIENTÈLE DE**

**O.E.P.:  
1-866-435-8665**

### **LISTE DE PIÈCES**

Voir le diagramme des pièces éclatées sur la page 22.

PARTS#	PARTS NAME	QTY.
22400Q-001	Plateau à Rallonge Droit	1
22400Q-002	Table de Coupe Gauche	1
22400Q-003	Écrou M5	1
22400Q-004	Couvre lame pour le Couvre lame	1
22400Q-005	Bouton de Verrouillage pour Couvre lame	1
22400Q-006	Support pour Couvre lame	1
22400Q-007	Support pour Guide de Coupe Onglet	2
22400Q-008	Vis Auto-taraudeuse ST2.9 x 12-F	3
22400Q-009	Défecteur d'eau	1
22400Q-010	Table de Coupe Centrale	1
22400Q-011	Guide de Coupe d'Angle	1
22400Q-012	Guide pour Coupes Droites	1
22400Q-013	Table à Rallonge Gauche	1
22400Q-014	Défecteur à vent	2
22400Q-015	Moteur	1
22400Q-016	Vis à six pans M4x16	2
22400Q-017	Joint d'Étanchéité en Caoutchouc	1
22400Q-018	Bride Intérieure	1
6-4001Q	Lame	1
22400Q-020	Bride Extérieure	1
22400Q-021	Écrou M8	1
22400Q-022	Base	4
22400Q-023	Vis Auto-taraudeuse ST4.2 x 15-F	1
22400Q-024	Frame pour l'Interrupteur	1
22400Q-025	Bloc pour Cordon d'Alimentation	4
22400Q-026	Pieds	2
22400Q-027	Vis Auto-taraudeuse ST4.2 x 9-F	1
22400Q-028	Cadre pour Cordon	1
22400Q-029	Cordon d'Alimentation	1
22400Q-030	Vis à Tête Cylindrique Cruciforme	1
22400Q-031	Plaque Flexible	1
22400Q-032	Rondeelle avec une dentelure intérieure	1
22400Q-033	Interrupteur	1



# SIERRA PORTÁTIL PARA LOSETAS CON MESA DE EXTENSIÓN

## MANUAL DE OPERACIÓN

### CONTENIDO

Instrucciones generales de seguridad.....	23
Advertencia.....	24
Requerimientos eléctricos.....	25
Cables de extensión (largadores).....	26
Proposición 65 de California.....	26
Descripción.....	27
Montaje.....	28
Operación.....	29
Mantenimiento.....	30
Localización de averías.....	31
Lista de piezas.....	32
Despiezado.....	33

6. **MANTENGA A LOS NIÑOS ALEJADOS.** Todos las personas en el área deben mantenerse a una distancia considerable del área de trabajo.
7. **ARME SU LUGAR DE TRABAJO A PRUEBA DE NIÑOS,** utilizando candados, interruptores principales, o quitando las llaves de encendido.
8. **UTILICE LA HERRAMIENTA CORRECTA.** No utilice herramientas o accesorios para realizar un trabajo, en el cual la herramienta no ha sido diseñada para esa función.
9. **UTILICE UN CABLE DE EXTENSIÓN ADECUADO.** Asegúrese de que el cable de extensión está en buenas condiciones. Cuando utilice un cable de extensión, asegúrese de que sea lo suficientemente pesado para transportar la corriente que requerirá el producto. Un cable de menor tamaño al requerido causará una caída de menor tamaño y dará como resultado la pérdida de energía y el recalentamiento. La tabla (ver la Tabla 1 en la página 26) muestra el tamaño correcto que debe usarse, teniendo en cuenta la longitud del cable y la clasificación de amperios de la placa de datos. Si tuviera dudas, utilice el siguiente indicador más pesado. Cuanto menor sea el número del indicador, más pesado será el cable.

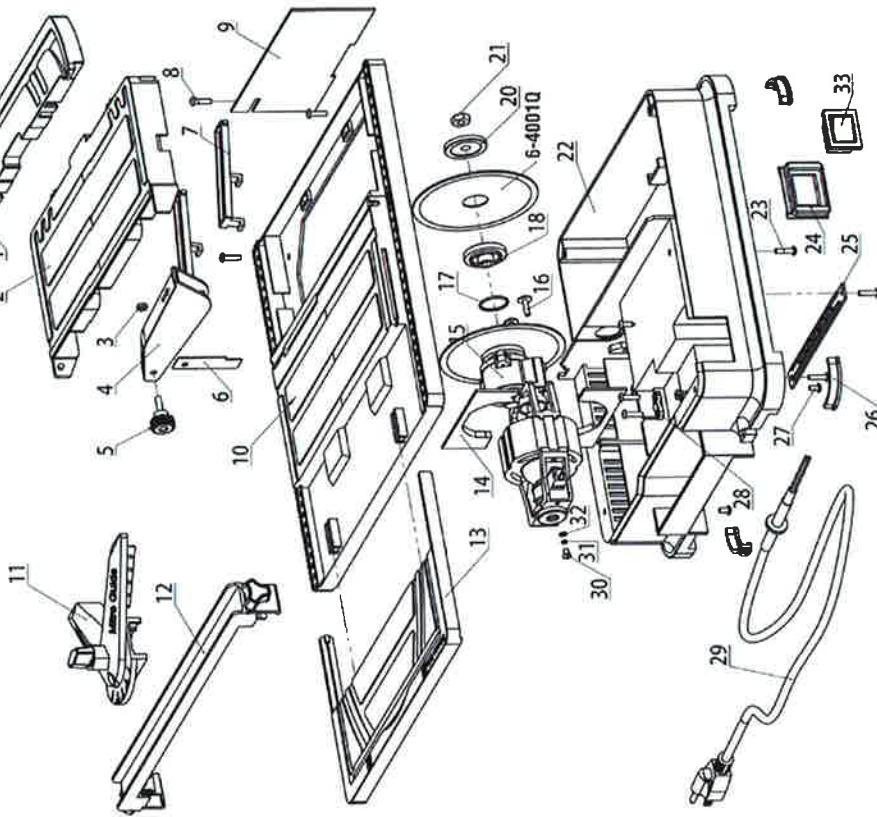
### INSTRUCCIONES GENERALES DE SEGURIDAD

**▲ ADVERTENCIA LEA ESTE MANUAL DEL USUARIO EN SU TOTALIDAD Y ASEGURESE DE ENTENDER TODAS LAS PAUTAS DE SEGURIDAD.**

1. **MANTENGA LAS PROTECCIONES EN SU LUGAR** y con el orden apropiado para trabajar.
2. **REMUEVA LAS LLAVES DE AJUSTE Y LAS LLAVES INGLESAS.** Antes de encender la sierra eléctrica para cortar losetas asegúrese que haya quitado las llaves inglesas y las llaves de tuercas de ajuste.
3. **MANTENGA LIMPIA SU ÁREA DE TRABAJO.** Los accidentes suelen ser más comunes en las áreas que estén desordenadas o por bancas en el área de trabajo.
4. **MANTÉNGASE ALERTA AL UTILIZAR LA SIERRA.** La falta de atención por parte del operador puede ocasionar accidentes graves.
5. **NO LA UTILICE EN AMBIENTES PELIGROSOS.** No utilice herramientas eléctricas en lugares húmedos o mojados, ni las exponga a la lluvia. Mantenga bien iluminada el área de trabajo.

10. **NO FUERCE LA HERRAMIENTA.** Ha sido diseñada para funcionar a niveles de máxima seguridad y rendimiento.
11. **NO FUERCE EL MATERIAL QUE DEBE CORTAR.** Siempre deje que la cuchilla corte a la velocidad para la que fue diseñada.
12. **UTILICE UNA VESTIMENTA ADECUADA.** No use ropa suelta, corbatas, anillos, pulseras, u otros artículos de joyería que pudieran quedar atrapados en las partes móviles. Se recomienda usar calzado antideslizante. Use una cubierta protectora para el cabello si lo tuviera largo.
13. **SIEMPRE USE GAFAS DE PROTECCIÓN.** También use máscaras protectoras para la cara y el polvo en el caso de operaciones de corte comercial. Las gafas comunes sólo tienen cristales resistentes a los impactos, pero NO son gafas de seguridad.

### EXPLODED PARTS PIÈCES ÉSCALATÉES DESPIEZADO



14. **NO TRATE DE EXTENDERSE MÁS DE LO NECESARIO.** Mantenga su posición y el equilibrio en todo momento.

15. **MANTENGA LAS HERRAMIENTAS EN BUEN ESTADO.** Mantenga las herramientas limpias y en buen estado para trabajar para obtener un máximo rendimiento de seguridad.

16. **DESCONECTE LA SIERRA ELÉCTRICA ANTES DE HACERLE ALGÚN ARREGLO** – al cambiar accesorios, como cuchillas, puntas, elementos cortantes, etc.

17. **REDUZCA EL RIESGO DE UN ENCENDIDO INVOLUNTARIO.** Asegúrese de que la herramienta se encuentra en posición de APAGADO antes de enchufarla.

18. **UTILICE LOS ACCESORIOS RECOMENDADOS.** Consulte el manual del usuario para los accesorios recomendados. El uso de accesorios inadecuados puede ocasionar accidentes.

19. **NO REALICE CORTES EN SECO CON DISCOS DE DIAMANTE DISEÑADOS PARA REALIZAR CORTES CON AGUA.**

20. **ASEGÚRESE DE USAR LA CUCHILLA CORRECTA** para el trabajo que está realizando.

21. **NUNCA SE APOYE SOBRE LA HERRAMIENTA.** Puede tener un accidente grave si la herramienta se mueve o si se toma contacto involuntario con la parte cortante.

22. **REVISE LAS PARTES DAÑADAS.** Antes de volver a utilizar la herramienta debe revisar cuidadosamente la(s) parte(s) dañada(s), (por ejemplo la protección), para saber si funcionará en forma adecuada y cumplirá con su función. Revise la alineación de las partes móviles, la unión de las mismas, si se rompieron, superpusieron y cualquier otra condición que pueda afectar el funcionamiento de la sierra. Las protecciones u otras partes que estén dañadas deben repararse o reemplazarse adecuadamente.

23. Asegúrese que el **DISCO DE CORTE ESTÉ PASANDO A TRAVÉS DE LA RESERVA DE AGUA PARA OBTENER UN CORTE EN HÚMEDO.**

24. **REVISE CUIDADOSAMENTE LOS DISCOS DE DIAMANTE** en caso de grietas, rajaduras, que la matriz de diamante falte o que esté desalineado. Reemplace las cuchillas dañadas inmediatamente. **NO USE DISCOS DAÑADOS.** Pueden causar accidentes graves.

25. **DIRECCIÓN DE LA ALIMENTACIÓN.** Solamente coloque el trabajo en la cuchilla en dirección contraria a la rotación de la cuchilla.

26. **NO ALTERE EL ENCHUFE O USE UN TOMACORRIENTE DE 2 PUNTAS.** Esta sierra está equipada con un enchufe eléctrico de 3 puntas.

27. **NUNCA DEJE LA SIERRA ELÉCTRICA ENCENDIDA SIN PRESTARLE ATENCIÓN.** Apéguela. No deje la herramienta hasta que se haya detenido completamente.

28. **COLOCACIÓN DE LA SIERRA ELÉCTRICA PARA LOSETAS** (ver el FIGURA 1)

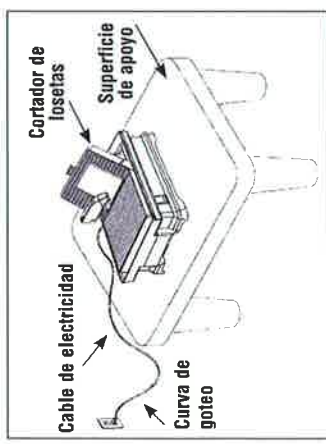


FIGURA 1

• Para evitar que el tomacorriente o enchufe del accesorio se humedezcan, coloque la sierra eléctrica para losetas hacia un lado del tomacorriente que se encuentra en la pared, para que el agua no caiga sobre éste o el enchufe. El usuario debería realizar una 'vuelta de goteo' en el cable que conecta la sierra al tomacorriente. La 'vuelta de goteo' es la parte del cable por debajo del nivel del tomacorriente, o el conector si se utiliza un cable de extensión, que evita que el agua se deslice por el cable y entre en contacto con el tomacorriente.

• Si el enchufe o el tomacorriente se humedecieren, **NO DESENCHUFE** el cable. Desconecte el fusible o el interruptor automático que suministra electricidad a la herramienta. Luego desenchúfela y revise si hay agua en el tomacorriente.

## ADVERTENCIA

**EL USO INADECUADO PUEDE OCASIONAR GRAVES ACCIDENTES.**

- Mantenga los dedos y la ropa que esté suelta alejados del disco de diamante giratorio.
- Sea sumamente cuidadoso al cortar losetas. Asegúrese de que las manos y los dedos estén alejados de la ranura de la cuchilla en la mesa.

prevale rasparse, cortarse o apretarse los dedos gravemente.

- Si no se siguen las instrucciones de funcionamiento puede producirse una descarga eléctrica.

## PARA SU SEGURIDAD LEA EL MANUAL DE INSTRUCCIONES ANTES DE PONER EN FUNCIONAMIENTO LA SIERRA.

- Use protección para los ojos.
- Use una máscara protectora siempre que sea necesario.
- Desconecte la sierra antes de hacerle alguna reparación, cuando le cambie los discos de diamante, y antes de limpiarla.
- Use la herramienta sólo con discos de diamantes que tengan los de bordes libres de aberturas y ranuras.
- Reemplace el disco de diamante que esté dañado antes de poner la sierra en funcionamiento.
- No llene la bandeja de agua por encima del drenaje.

## REQUERIMIENTOS ELÉCTRICOS

1. **ESTA SIERRA ELÉCTRICA PARA LOSETAS DEBE TENER UNA CONEXIÓN POLO A TIERRA** mientras está en uso para evitar que el operador sufra una descarga eléctrica.

2. **EN EL CASO DE MAL FUNCIONAMIENTO O FALLA ELÉCTRICA**, la conexión polo a tierra proporciona un suministro de menor resistencia de corriente eléctrica para reducir el riesgo de una descarga eléctrica. Esta herramienta está equipada con un cable eléctrico con un conductor con conexión polo a tierra y un enchufe con conexión polo a tierra. Conecte el enchufe eléctrico de 3 puntas a una toma de 3 polos debidamente instalado y con una conexión polo a tierra conforme a los códigos y regulaciones locales.

3. **NO MODIFIQUE EL ENCHUFE SUMINISTRADO** si éste no se adapta a la toma. Instale la toma adecuado con la ayuda de un electricista profesional.

4. **LA CONEXIÓN INADECUADA DEL CONDUCTOR CON LA CONEXIÓN POLO A TIERRA DEL EQUIPO PUEDE OCASIONAR UNA DESCARGA ELÉCTRICA.** El conductor con aislamiento que posee una superficie externa verde (con o sin franjas

amarillas) es el conductor de conexión polo a tierra del equipo. Si fuera necesario reparar o reemplazar el cable eléctrico o enchufe no conecte el conductor de conexión polo a tierra del equipo a una terminal activa.

5. **CONSULTE A UN ELECTRICISTA PROFESIONAL** si no entendiera completamente las instrucciones para la conexión polo a tierra; o si tuviera dudas acerca de si la herramienta está conectada correctamente polo a tierra.

6. **UTILICE SOLAMENTE CABLES DE EXTENSIÓN DE 3 CONDUCTORES** que poseen enchufes de conexión polo a tierra de 3 puntas y tomacorrientes de 3 polos que acepten el enchufe de la sierra eléctrica para cortar losetas.

7. **REPARE O REEMPLACE INMEDIATAMENTE EL CABLE GASTADO O DAÑADO.**

8. **SI EL ENCHUFE O TOMACORRIENTE SE HUMEDECIERAN, NO DESENCHUFE EL CABLE.** Desconecte el fusible o el interruptor automático que suministra electricidad a la herramienta. Luego desenchúfela y revise si hay agua en el tomacorriente.

9. **CON ESTE PRODUCTO SÓLO PUEDEN USARSE CABLES DE EXTENSIÓN CALIFICADOS POR UL.**

10. **EL USO INADECUADO DE CABLES DE EXTENSIÓN PUEDE PRODUCIR UN FUNCIONAMIENTO DEFICIENTE DE LA HERRAMIENTA**, que puede dar como resultado el recalentamiento. Asegúrese de que el cable de extensión tenga la potencia adecuada para suministrar una corriente eléctrica suficiente al motor. Para calibrar su herramienta en forma adecuada consulte el TABLA 1 (página 26).

11. **NO TOQUE CON LOS DEDOS** las terminales del enchufe al conectar o desconectar el enchufe del toma.

12. **ESTA SIERRA ELÉCTRICA PARA CORTAR LOSETAS DEBE SER INSTALADA APROPIADAMENTE POLO A TIERRA.** Si no lo estuviera aumentaría enormemente el riesgo de descargas eléctricas y accidentes, particularmente si se utilizara en lugares húmedos o cercanos a cañerías.

**NOTA:** La sierra eléctrica profesional esta diseñada para ser conectada en un toma corriente empotrado y conectado a tierra como el que se encuentra en la FIGURA 2(B). Además esta sierra tiene un toma corriente de tierra como el de la FIGURA 2(A).



Régimen de amperios		Longitud total del cable en pies		Volts	
		8.7 m	15.24 m	30.48 m	60.96 m
		15.24 m	30.48 m	60.96 m	91.44 m
MÁS DE		AWG			
Más de	No más de	18	16	16	14
0	6	18	16	14	12
6	10	16	16	14	12
10	12	14	12	No recomendado	
12	16				

TABLA 1

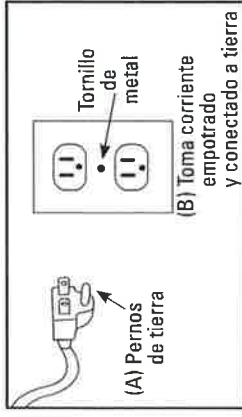


FIGURA 2

### CABLES DE EXTENSIÓN (ALARGADORES)

1. Utilice solamente los cables de extensión destinados para uso en áreas exteriores. Puede identificarlos con la leyenda "Pueden usarse con dispositivos para exteriores: guardar en el interior cuando no se use." Utilice solamente los cables de extensión que tengan una clasificación eléctrica no menor a la clasificación del producto. No utilice el cable de extensión si está dañado, reemplácelo. Examine el cable de extensión antes de usarlo y suspenda el uso si está dañado. No maltrate el cable de extensión y no lo desconecte de un tirón. Mantenga el cable alejado del calor y los bordes filosos. Siempre desconecte el cable de extensión del tomacorriente antes de desconectar el producto del cable de extensión.

**ADVERTENCIA PARA REDUCIR EL RIESGO DE ELECTROCUCIÓN, MANTENGA TODAS LAS CONEXIONES SECAS Y LEJOS DEL SUELO. NO TOQUE EL ENCHUFE CON LAS MANOS MOJADAS.**

2. El/los circuito/s o toma/s que se usarán con la sierra para losetas/azulejos deben contener un Interruptor de Circuito Polo a Tierra (GFCI) como protección. Se pueden obtener tomacorrientes con protección GFCI incorporada para usarse de acuerdo con esta medida de seguridad.

- Plomo derivado de pinturas a base de plomo.
- Sílice cristalino de los ladrillos, cementos y otros tipos de productos de albañilería.
- Arsénico y cromo de madera tratada con sustancias químicas.

El riesgo de exposición a éstas situaciones varía, dependiendo de cuantas veces se hace este tipo de trabajo. Para reducir el contacto con estas sustancias químicas: trabaje en lugares bien ventilados y con equipos aprobados para la protección, como mascarillas para el polvo que son diseñadas específicamente para filtrar partículas microscópicas.

### DESCRIPCIÓN

- La sierra eléctrica para losetas Torque Master XT<sup>®</sup> contiene un motor de Alta –Torsión el cual produce un sonido alto y distintivo. Esta es una de las características de un motor de alto desempeño y es de gran importancia para producir la torsión necesaria para obtener un óptimo desempeño al realizar el corte.
- Para mejores resultados permita que el disco de corte haga el trabajo, en vez de forzar la loseta a través de la máquina. En caso que el disco de corte se detenga, simplemente retire la loseta y después continúe cortando empujando con menos presión.

- Corte húmedo.
- Depósito de agua completamente separado de todos los componentes eléctricos.
- Disco de diamante de borde continuo de 100mm (4 in.) incluido, para cortar losetas y otros materiales.\*
- Mesa de ajuste para cortes en ángulo de precisión (22.5°, 45°)
- La profundidad de corte con un disco de 100 mm (4 in.) es de 19 mm.

\* Esta sierra incluye un disco de corte diamantado, es ideal para el corte de losetas de cerámica. Si su proyecto requiere el corte de otros substratos, incluyendo de porcelana, se recomienda que utilice el disco de corte apropiado para el material que cortará.

### ESPECIFICACIONES DEL PRODUCTO

Entrada: 4 Amperios  
Velocidad sin carga: 4600 RPM  
Salida: 35 máximo de cables de fuerza  
Diámetro del disco de corte: 100 mm  
Eje: 16 mm  
Rango: 120 Voltios, 60 Hercios  
Profundidad del Corte: 19 mm



### PROPOSICIÓN 65 DE CALIFORNIA

**ADVERTENCIA ALGUNOS**

**POLVOS CREADOS POR LIJADORAS MECÁNICAS, ASERRADEROS, TRITURADORES, PERFORADORAS Y OTRAS ACTIVIDADES DE CONSTRUCCIÓN CONTIENEN SUSTANCIAS QUÍMICAS QUE SE SABE (EN EL ESTADO DE CALIFORNIA) CAUSAN CÁNCER, DEFECTOS DE NACIMIENTO U OTROS DAÑOS AL SISTEMA REPRODUCTIVO.**

Algunos ejemplos de estas sustancias químicas son:

## MONTAJE

**▲ ATENCIÓN** Siga todas las instrucciones acerca del montaje e instalación que están en este manual, antes de conectar la sierra para cortar losetas en la toma eléctrica y encenderla.

### DESEMPAQUE

1. Remueva todos los materiales de empaque que estén alrededor de su sierra.
2. Con cuidado levante la sierra y séquela del cartón colocándola en una superficie que esté al nivel para trabajar.
3. No deseché los materiales de empaque hasta que usted no haya inspeccionado bien la sierra si llegará a tener alguna parte suelta o dañada.

Los siguientes artículos están incluidos en la caja con su sierra para cortar losetas:

- Sierra eléctrica para losetas Torque Master XT
- Disco de diamante de 100 mm (4 in.)
- Protección de seguridad del disco
- Guía para corte recto
- Guía para corte en ángulo de 45°
- Abroche la mesa de extensión
- Manual del usuario

4. Inspeccione cuidadosamente la sierra para asegurarse que durante el transporte no se haya roto o dañado. Si alguna parte está dañada o le falta alguna parte llame a servicio al cliente de QEP al número 866-435-8665

**▲ ADVERTENCIA** SI ALGUNA PARTE ESTÁ DAÑADA O LE HACE FALTA, NO INTENTE UTILIZAR ESTA SIERRA. SI UTILIZA ESTA SIERRA CON ALGUNA PARTE DAÑADA O SIN UNA PARTE QUE LE HAGA FALTA, PODRÍA RESULTAR EN UNA SERIA LESIÓN PERSONAL.

### INSTALACIÓN DEL DISCO DE CORTE

1. Para colocar el disco de corte, primero cuidadosamente levante la sección articulada de la mesa. Remueva el tornillo que está en el tablon contra salpicados y remueva el tablon contra salpicados para permitir acceso.
2. Remueva la tuerca del eje del disco de corte y la pestaña exterior.

3. Cuidadosamente coloque el disco de corte sobre el eje y empuje hacia la pestaña interior.
4. Asegúrese que la cara del disco de corte que tiene ilustrada la flecha direccional este mirando hacia usted.
5. Coloque la pestaña exterior y la tuerca del eje en el disco de corte.
6. Apriete firmemente la tuerca del eje del disco de corte, pero no la apriete demasiado.
7. Reemplace la tabla contra salpicaduras y la mesa de corte.

8. Inserte el protector del disco de corte detrás de la apertura para el disco de corte. Ajuste la altura.
9. Remueva la perilla disco de corte.
10. Deslice la parte trasera del protector del disco de corte hacia abajo donde está el soporte del disco de corte.
11. Vuelva a colocar la perilla en el protector del disco de corte (ver la FIGURA 3).



FIGURA 3

12. Es sugerido que el frente del protector del disco quede mirando un poco hacia abajo para minimizar que salpique al frente mientras esté cortando.

**▲ ADVERTENCIA** CON ESTA SIERRA, SOLAMENTE UTILICE DISCOS DE CORTE CON BANDA CONTINUA. NO UTILICE DISCOS DE CORTE CON BANDA SEGMENTADA, TURBO, PARA CORTAR MADERA, CON ABERTURAS O CON NINGUN OTRO ARTÍCULO PARA CORTAR CON ESTA SIERRA. SI UTILIZA ÉSTE TIPO DE DISCOS DE CORTE PODRÍA CAUSAR LESIONES PERSONALES MUY SERIAS Y DAÑAR LA SIERRA.

## INSTALACIÓN DE LA GUÍA PARA CORTES RECTOS

1. Coloque la guía para cortes rectos en la parte superior de la mesa de corte, ajuste la guía para cortes rectos con la perilla en cada extremo hasta que inserte a presión en su lugar. La guía está marcada con pulgadas y centímetros para permitirle realizar un corte preciso. La guía para cortes rectos puede utilizarla en cualquiera de los dos costados del disco de corte.

## INSTALACIÓN DE LA GUÍA PARA ÁNGULOS

1. Para cortes en ángulo, presione la guía para cortes en ángulo sobre la guía para cortes rectos. Afloje la perilla de ajuste y colóquelo en el ángulo deseado. Vuelva ajustar la perilla de ajuste y colóque la loseta contra la guía para cortes en ángulo. Después empuje hacia el disco de corte para cortar la loseta.

## OPERACIÓN

**IMPORTANTE:** SIEMPRE apague la sierra y remueva el enchufe de la toma eléctrica ANTES de añadir o remover los accesorios y hacerle ajuste.

**▲ ADVERTENCIA** SI NO DESCONECTA LA SIERRA PODRÍA INICIAR ACCIDENTALMENTE LA SIERRA Y PODRÍA CAUSAR POSIBLES LESIONES GRAVES PERSONALES.

## ANTES DE INICIAR LA SIERRA

1. Asegúrese que la sierra esté desconectada.
2. Levante la mesa de corte de la derecha y llene la reserva de agua hasta el tope de la abertura de desbordamiento. No lo llene más arriba de éste nivel.

**NOTA:** SIEMPRE mantenga suficiente agua en la reserva de agua mientras está utilizando la sierra. NO permita que la sierra funcione sin agua.

3. Cierre la mesa de corte de la derecha.
- IMPORTANTE:** SIEMPRE drene muy bien la reserva de agua y límpiela completamente después de cada uso.

## PARA DARLE INICIO A LA SIERRA

1. Saque el cable que está en el compartimiento de la parte de abajo de la sierra y conecte el cable en una toma protegida por un interruptor de Protección del Circuito de Fallas de Conexión a Tierra (ver la FIGURA 4).



FIGURA 4

2. Haga una "cueva de goteo" en el cable (ver la FIGURA 5).

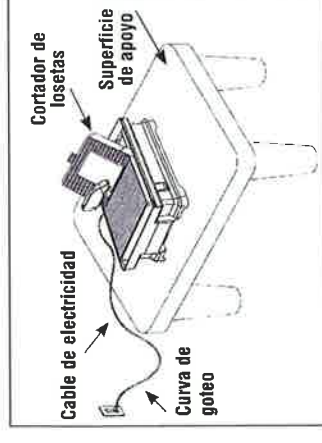


FIGURA 5

## UTILIZANDO LA MESA DE EXTENSION

1. La mesa de extensión puede utilizarse para proporcionar soporte a las losetas de formato grande.
2. Simplemente deslicela hacia afuera para ajustarse al tamaño de loseta que usted esté cortando.

## HACIENDO CORTES

En el borde de la mesa podrá ver fácilmente las dimensiones (en pulgadas y en centímetros) para hacer corte precisos.

**IMPORTANTE: SIEMPRE permita que el disco de corte haga el corte a su propia velocidad. NO fuerce el material a cortar. SIEMPRE verifique que el disco de corte no tenga grietas o daños ANTES de cada uso.**

### HACIENDO CORTES LINEALES A 90°

1. Instale la guía para cortes lineales colocándola en la posición deseada, de acuerdo al ancho del corte que está realizando.

2. Coloque el material a cortar contra la guía para cortar.

3. Cuidadosamente empuje el material hacia el disco de corte (ver la FIGURA 6).



FIGURA 6

4. Si es necesario, la guía para cortes lineales puede removerla cuando esté cortando losetas de formato grande.

### HACIENDO CORTES EN ÁNGULO

1. Instale la guía para ángulos sobre la guía para cortes rectos.

2. Cuidadosamente empuje la guía para ángulos y el material hacia el disco de corte (ver FIGURA 7).



FIGURA 7

## HACIENDO CORTES A INGLETE

(ver la FIGURA 8)

1. La mesa de corte a la derecha puede colocarla en ángulo a 22,5° ó a 45°.

2. Los dos refuerzos que están debajo de la mesa podrá desdoblarlos para darle soporte a la mesa en el ángulo deseado.

3. Coloque el material a cortar sobre el lado izquierdo de la mesa.

4. Cuidadosamente empuje el material hacia el disco de corte.



FIGURA 8

## MANTENIMIENTO

### ▲ ADVERTENCIA PARA EVITAR

**ACCIDENTES, SIEMPRE DESCONECTE LA SIERRA DE LA FUENTE DE ELECTRICIDAD ANTES DE LIMPIARLA O HACERLE ALGÚN MANTENIMIENTO.**

Por favor no intente hacerle algún servicio a esta sierra usted solo.

Evite utilizar solventes cuando esté limpiando las partes plásticas. La mayoría de las partes plásticas son susceptibles a dañarse a causa de varios tipos de solventes comerciales y también podrían dañarse por su uso. Utilice un trapo limpio para remover mugre, polvo etc.

### ▲ ADVERTENCIA NUNCA PERMITA

**QUE LÍQUIDOS PARA FRENOS, GASOLINA, PRODUCTOS A BASE DE PETRÓLEO, ACEITES PENETRANTES ETC., ENTREN EN CONTACTO CON LAS PARTES PLÁSTICAS. ESTOS CONTIENEN QUÍMICOS QUE PUEDEN DAÑAR, DEBILITAR O DESTRUIR PLÁSTICO.**

1. SIEMPRE limpie la sierra para losetas después de cada uso y guarde la sierra para losetas en un área seca.

2. SIEMPRE limpie todas las superficies exteriores y mantenga la mesa de corte limpia y libre de desechos.

3. SIEMPRE revise el disco de corte a ver si tiene grietas o demuestra algún signo de estar dañado ANTES de cada uso.

4. SIEMPRE guarde el cable en el compartimento que está en la parte de abajo de la sierra después de cada uso.

## DISCOS DE DIAMANTE

• Utilice en esta sierra solamente un disco de diamante de banda continua de 100 mm con un apertura de eje de 16 mm. De no ser así podría resultar en causarse daños físicos o dañar la sierra.

• El disco de corte diamantado que viene con esta sierra cortará losetas de cerámica.

Dado a la dureza de losetas duras incluyendo la porcelana, la pizarra y la piedra, puede comprar un disco de corte específicamente diseñado para estos materiales, para acelerar el tiempo de corte requerido. **IMPORTANTE:** Siempra permita que el disco de corte haga el corte a su propio ritmo, moviendo el material lentamente hacia el disco de corte. No fuerce el material que esté cortando.

## QUÉ HACER Y QUÉ NO HACER CON EL DISCO DE DIAMANTE

1. Revisar los discos de diamante diariamente en caso de roturas o desgaste desparejo. ¡No utilizar discos de diamante rotos, astillados o dobladas!

2. Seguir siempre las recomendaciones del fabricante para utilizar la cuchilla adecuada para el material que se desea cortar.

3. Revisar el eje en caso de desgaste desparejo antes de colocar el disco de diamante.

4. Usar siempre discos de diamante con el tamaño de eje adecuado en un eje compatible.

5. Asegurarse de que se colocó el disco de diamante con la flecha de rotación en la dirección correcta y que está sujeto firmemente con la llave de tuerca.

6. Usar siempre el equipo de seguridad adecuado al operar la sierra. Usar gafas protectoras y máscara para el polvo en todo momento.

7. Revisar periódicamente la cuchilla en caso de roturas o fatiga del material.

8. Asegúrese que el disco de corte esté pasando a través de la reserva de agua para realizar el corte en húmedo.

1. No opere la sierra sin colocar todos los elementos de seguridad en posición.

2. No use la sierra con discos de diamante más grandes o más pequeños que los recomendados.

3. No utilice discos de corte que no sean sutiles para cortar en húmedo

4. No exceda del máximo de RPM recomendadas por el fabricante de la cuchilla.

5. No fuerce el material dentro de la cuchilla. Dejar que la cuchilla corte a su propia velocidad.

6. No corte materiales distintos a los recomendados por el fabricante de la cuchilla.

## LOCALIZACIÓN DE AVERÍAS

### SOBRECALENTAMIENTO DE LA SIERRA:

1. Apague la sierra eléctrica tipo puente y déjala en reposo hasta que el motor esté frío al tacto.

2. Verifique y limpie las ranuras de ventilación, quite cualquier obstrucción y suciedad.

3. El motor tiene incorporado un protector térmico para asegurar que la electricidad se corte cuando la sierra se sobrecaliente. Esto prevendrá que el motor se quemé. Por esta razón por favor apague la máquina y permita que se enfríe antes de volver a iniciarla.

### LA SIERRA NO ARRANCA:

1. Verifique que el cable de alimentación esté enchufado correctamente.

2. Revise la fuente de energía de la toma eléctrica y el corta circuito.

3. Verifique si el cable de extensión eléctrico está en condiciones de funcionamiento.

4. No tiene una llave de seguridad

**SERVICIO AL CLIENTE DE O.E.P.:**  
**1-866-435-8665**



## LISTA DE PIEZAS

Ver el diagrama de las partes en la página 33.

PARTS#	PARTS NAME	QTY.
224000-001	Mesa de extensión lateral	1
224000-002	Mesa de corte izquierda	1
224000-003	Tuerca M5	1
224000-004	Protector para el disco de corte	1
224000-005	Botón de bloqueo para el protector del disco de corte	1
224000-006	SopORTE para el protector del disco de corte	1
224000-007	SopORTE para la guía a inglete	2
224000-008	Tornillo autorroscantes ST2.9 x 12-F	3
224000-009	Deflector de agua	1
224000-010	Mesa de corte central	1
224000-011	Guía para ángulo	1
224000-012	Guía para corte recto	1
224000-013	Mesa de extensión izquierda	1
224000-014	Barrera contra el aire	2
224000-015	Motor	1
224000-016	Tornillo exagonal M4x16	2
224000-017	Aro de caucho para sellar	1
224000-018	Pestaña interior	1
6-4001Q	Disco de corte	1
224000-020	Pestaña exterior	1
224000-021	Tuerca M8	1
224000-022	Base	1
224000-023	Tornillo autorroscantes ST4.2 x 15-F	4
224000-024	Marco para el interruptor	1
224000-025	Bloqueo para el cable de la electricidad	1
224000-026	Patas	4
224000-027	Tornillo autorroscantes ST4.2 x 15-F	2
224000-028	Marco para el cable	1
224000-029	Cable de la electricidad	1
224000-030	Tornillo de cabeza plana con un receso en cruz	1
224000-031	Almohadilla flexible $\phi 4$	1
224000-032	Arandela con dentadas interiores $\phi 4$	1
224000-033	Interruptor	1

## EXPLODED PARTS PIÈCES ÉSCALATÉES DESPIEZADO

