



Parts Catalog

PTO HORSE Tiller

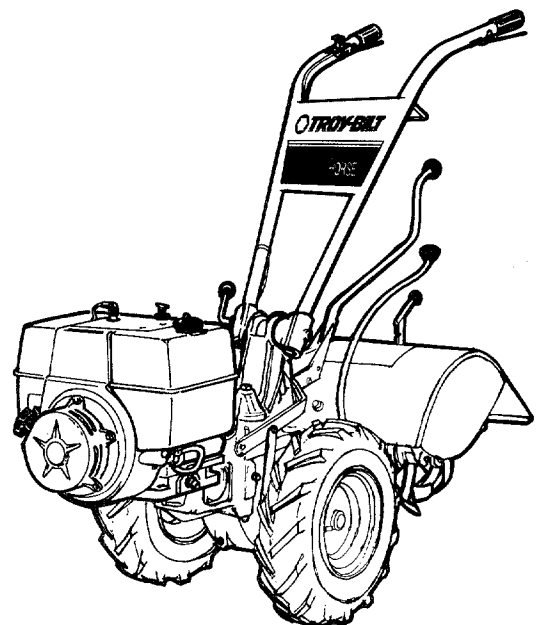
Models

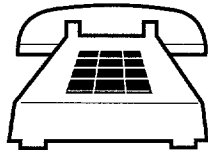
12068 (7HP I/C Standard)

12069 (7HP I/C Electric)

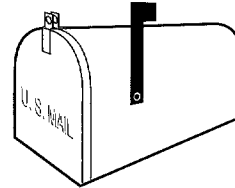
12070 (8HP Standard)

12071 (8HP Electric)





HOW TO REACH US



| Address | Hours | Toll-Free Telephone Numbers |
|---|---|--|
| In the U.S.A: Garden Way Incorporated 102nd Street & 9th Avenue Troy, New York 12180 | Mon.-Fri.: 8 a.m. to 7:00 p.m. Sat. 9 a.m. to 4 p.m. | For Parts Sales: 1-800-648-6776 For Technical Service: 1-800-833-6990 |
| In Canada: Garden Way Incorporated 320 Van Sickle Road, Unit 12 St. Catharines, Ontario L2R 6P7 | Mon.-Fri.: 8 a.m. to 5:00 p.m. | For Parts Sales or Technical Service: 1-800-225-3585 |



CAUTION

We urge that you use only genuine TROY-BILT® replacement parts, which meet all of the latest requirements. Replacement parts manufactured by others could present safety hazards even though they may fit on this product.

PARTS ORDERING INFORMATION

Parts for your machine may be ordered from your local servicing dealer or directly from the Factory (see factory address and phone numbers on page at left). Please remember that we or your local dealer will need to know the identification numbers of your machine to give you the most efficient service. Please see below for how to identify and record the identification numbers for your machine.

When ordering parts, please be sure to provide the following information:

1. The SERIAL NUMBER of your machine.
2. The PART NUMBER of the part.
3. The PART DESCRIPTION.
4. The QUANTITY needed.

If you need engine service or parts:

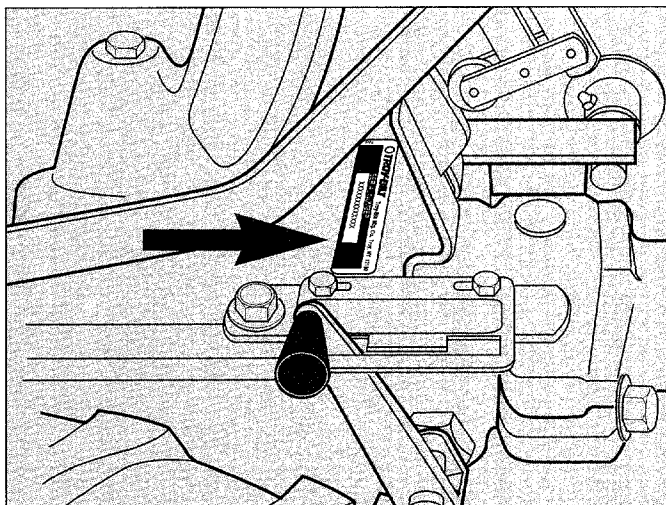
For engine service or parts, please contact your local authorized engine dealer. Look in the Yellow Pages of your phone book under "Engines-Gasoline" for the name of your nearest authorized engine dealer. An authorized dealer can handle all parts, repairs, and warranty service concerning the engine. NOTE: Some parts on your engine are exclusive to this machine and may not be available from the engine dealer. Refer to the engine drawings in this Parts Catalog to identify and order these exclusive parts.

IDENTIFICATION NUMBERS

Please write the Model and Serial Numbers of your machine in the spaces provided below. You can find the location of these numbers by referring to the following illustration.

Model Number: _____

Serial Number: _____

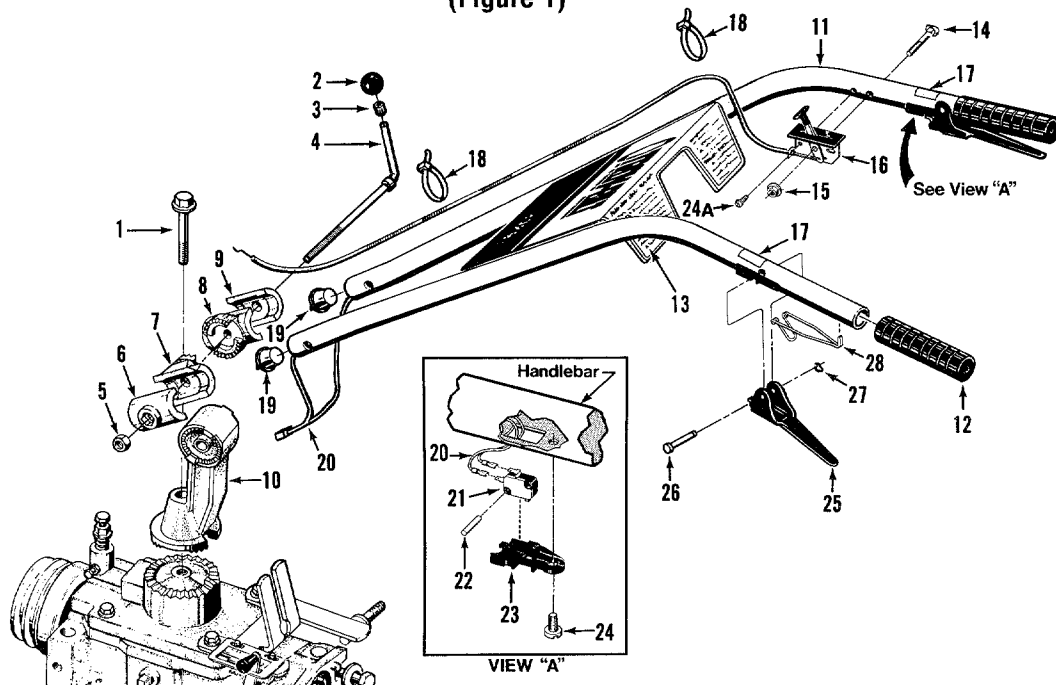


All references to left, right, front and rear of the machine are determined by standing in the operator's position and facing the direction of forward travel.

IMPORTANT:

Some replacement parts that you receive may vary slightly in shape, color, or texture from the original parts. This is because certain parts are supplied to us by more than one manufacturer. Please be assured, however, that all parts must conform to our rigid quality specifications, and any slight variations will not affect the fit or performance of these parts.

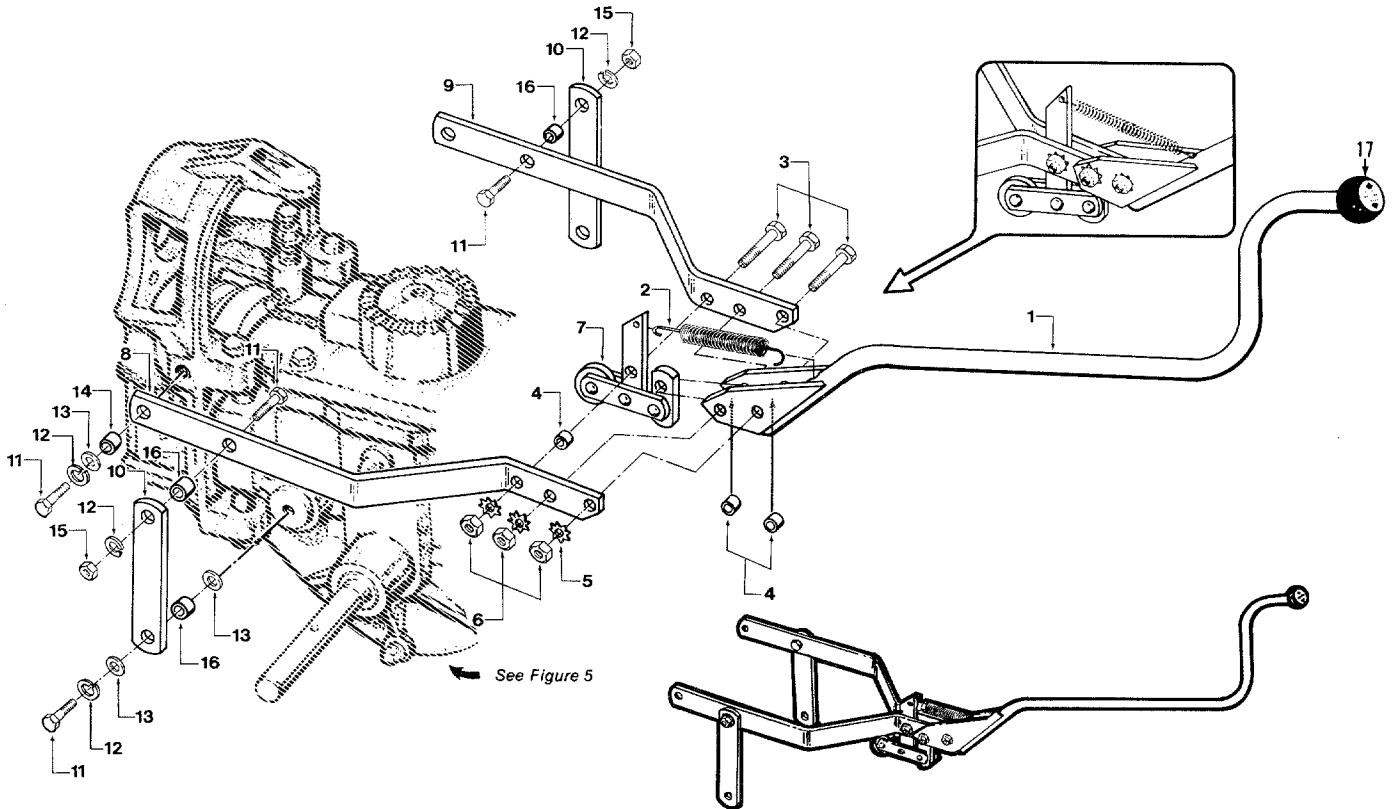
**HANDLEBAR ASSEMBLY
(Figure 1)**



| REF No. | PART No. | DESCRIPTION | QTY. |
|---------|------------|--|------|
| 1 | 9548 | Bolt—Hex hd., flanged self-locking Grade 5, 1/2-13 x 3-1/2" | 1 |
| 2 | 9119 | Knob—handlebar height adjustment (Incl. Ref. No. 3) | 1 |
| 3 | 9120 | Ring—retaining (tolerance ring)..... | 1 |
| 4 | 1881 | Stud—handlebar height adjustment (Incl. Ref. No.'s 2,3 and 5) | 1 |
| 5 | 9803 | Nut—hex, 1/2"-13..... | 1 |
| 6 | 1900854010 | Clamp—left, handlebar height adjustment..... | 1 |
| 7 | 1900856010 | Ratchet—left, handlebar height adjustment..... | 1 |
| 8 | 1900857010 | Ratchet—right, handlebar height adjustment..... | 1 |
| 9 | 1900855010 | Clamp—right, handlebar height adjustment..... | 1 |
| 10 | 1900858010 | Base—handlebar mounting..... | 1 |
| 11 | 2704 | Handlebars—(Incl. 2 of each Ref. No.'s 12, 17 and 28 and 1 Ref. No. 13)..... | 1 |
| 12 | 9125 | Grip—handlebars | 2 |
| 13 | 2715 | Decal—operator control panel..... | 1 |
| 14 | 9547 | Bolt—curved head G5, 1/4-20 x 2" .. | 1 |
| 15 | 9844 | Nut—hex, flanged self-locking, whiz lock, 1/4"-20..... | 1 |

| REF No. | PART No. | DESCRIPTION | QTY. |
|---------|----------|---|------|
| 16 | 9444 | Throttle Control & Cable—Briggs & Stratton engine only (also see Ref. No. 24A)..... | 1 |
| 16A | 9650 | Throttle Control & Cable—8HP Kohler engine only..... | 1 |
| 17 | 1900763 | Decal—Forward Interlock Lever | 2 |
| 18 | 9202 | Tie—plastic | 2 |
| 19 | 9219 | Plug—wire harness retainer..... | 2 |
| 20 | 2551 | Handlebar Wire Harness Assy—forward interlock system | 1 |
| 21 | 9250 | Handlebar Switch—forward interlock system | 2 |
| 22 | 9385 | Lock Pin—handlebar switch..... | 2 |
| 23 | 2543 | Switch Housing—handlebar switch. | 2 |
| 24 | 90039 | Screw—pan head, 10-24 x 1/2", thread-forming..... | 2 |
| 24A | 9733 | Screw—Phillips head, 10-32 x 1/2", thread-forming..... | 1 |
| 25 | 2546 | Lever—forward interlock..... | 2 |
| 26 | 9199 | Pivot Pin—forward interlock lever... | 2 |
| 27 | 9514 | Retaining Ring—klip ring—forward interlock lever..... | 2 |
| 28 | 9387 | Return Spring—forward interlock lever | 2 |

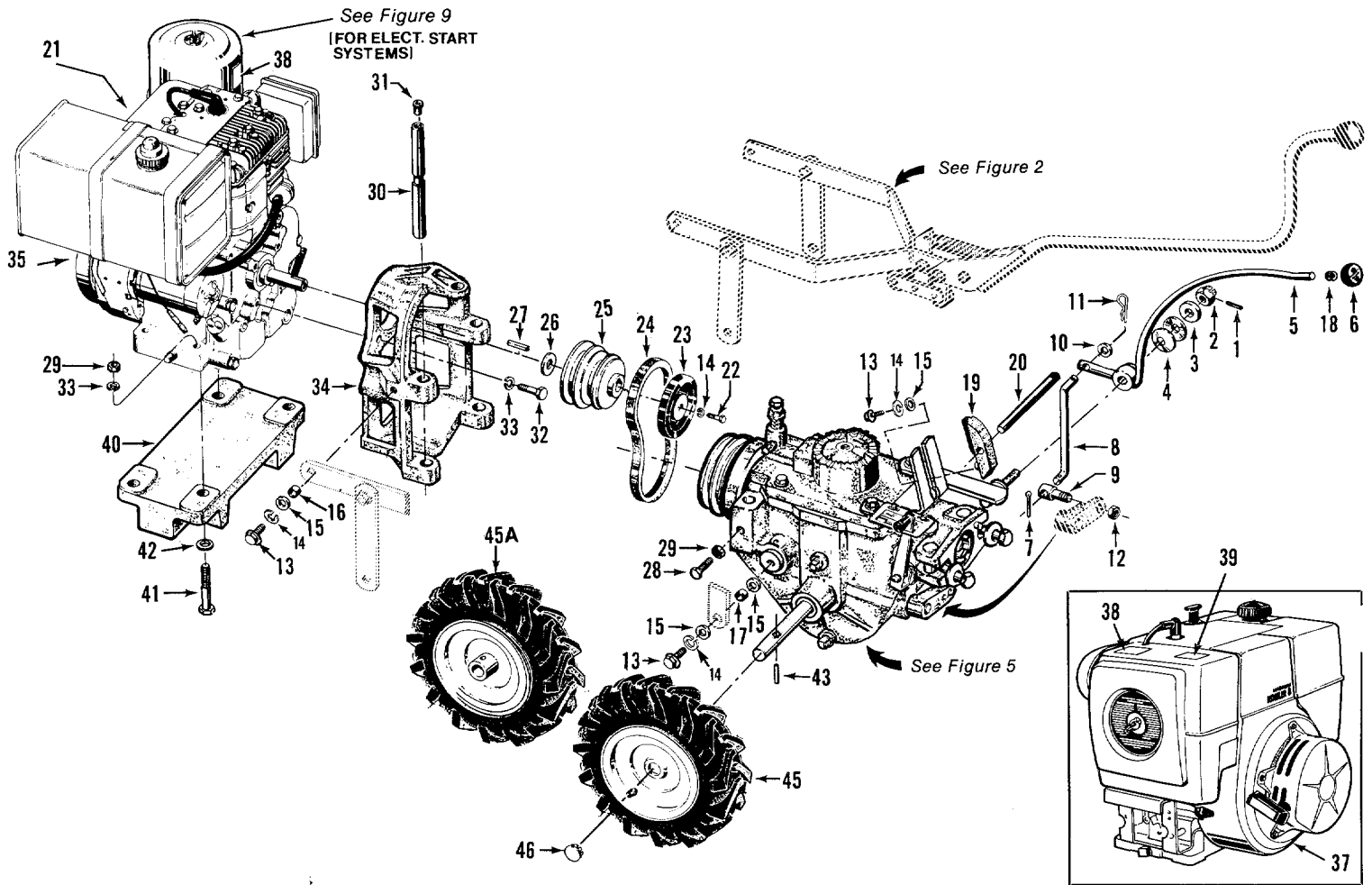
WHEELS/TINES/PTO DRIVE LEVER & YOKE ASSEMBLY
(Figure 2)



| REF No. | PART No. | DESCRIPTION | QTY. |
|---------|------------|---|------|
| 1 | 2574 | Lever—Wheels/Tines/PTO Drive (Incl. knob w/decal) | 1 |
| 2 | 1908156 | Spring—clutch pawl | 1 |
| 3 | 9466 | Bolt—hex hd., 5/16-18 x 1-1/2" | 3 |
| 4 | 2447 | Bushing—3/8" | 3 |
| 5 | 9919 | Lockwasher—external tooth, 5/16" | 3 |
| 6 | 9801 | Nut—hex, 5/16"-18 | 3 |
| 7 | 2232 | Roller Assembly | 1 |
| 8 | 1900468010 | Yoke—left side | 1 |
| 9 | 1900469010 | Yoke—right side | 1 |

| REF No. | PART No. | DESCRIPTION | QTY. |
|---------|------------|--|------|
| 10 | 1900860010 | Link—yoke pivot, left & right, 6-7/8" long | 2 |
| 11 | 9710 | Bolt—hex hd., 3/8-16 x 1" | 6 |
| 12 | 9913 | Lockwasher—spring lock, 3/8" | 6 |
| 13 | 9904 | Washer—flat, 3/8", S.A.E. | 6 |
| 14 | 2146 | Bushing—spacer, 21/64" (.325") | 2 |
| 15 | 9802 | Nut—hex, 3/8"-16 | 2 |
| 16 | 1113-1 | Bushing—spacer, 19/64" (.300") | 4 |
| 17 | ---- | Knob—not avail. separately. See Ref No. 1 | ... |

WHEEL SPEED LEVER, BELT DRIVE SYSTEM, ENGINES, WHEELS
(Figure 3)

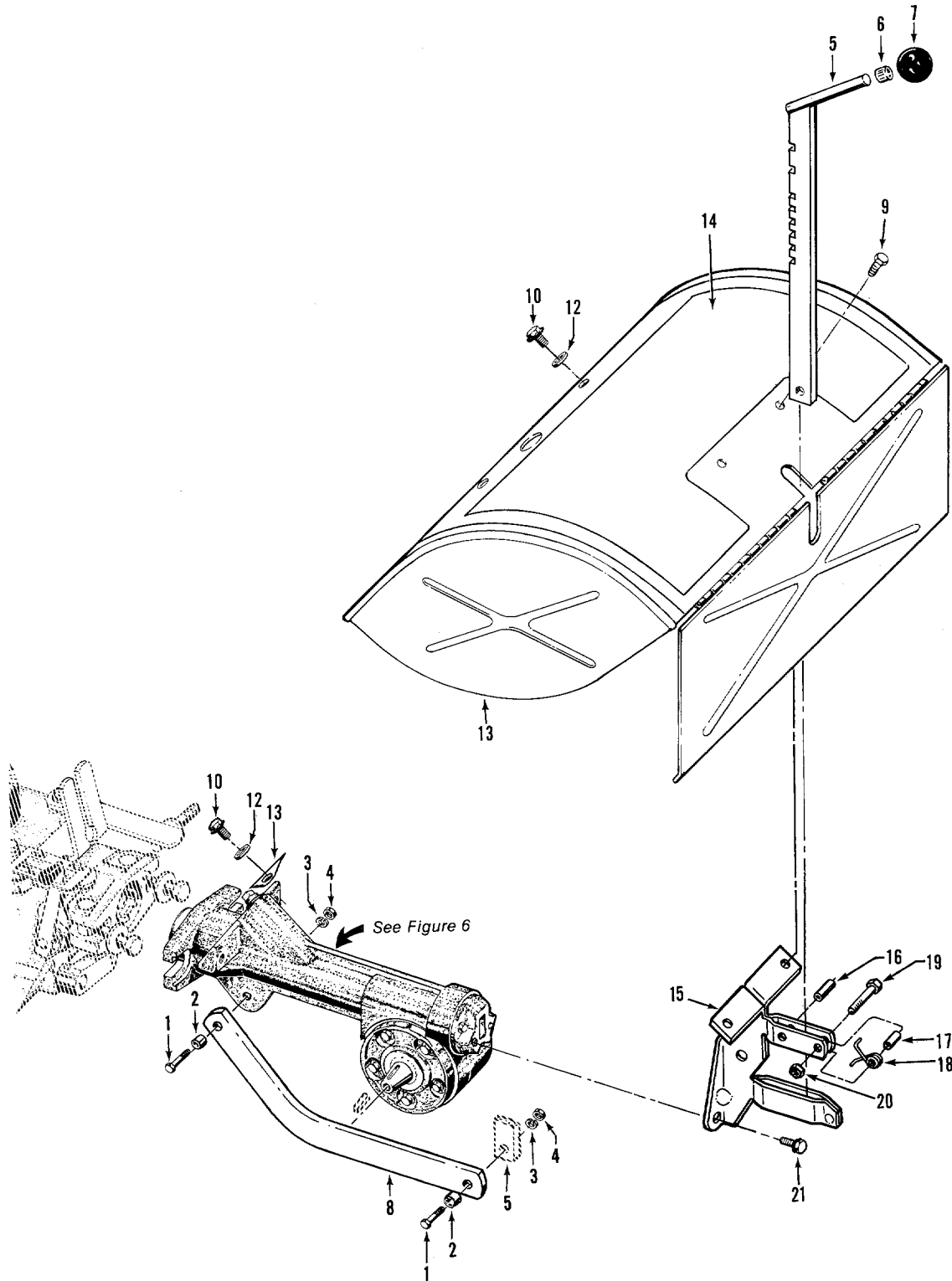


| REF No. | PART No. | DESCRIPTION | QTY. | REF No. | PART No. | DESCRIPTION | QTY. |
|--------------------------|----------|---|----------|------------------------------------|----------|---|------|
| WHEEL SPEED LEVER | | | | 35 | 1901084 | 7HP Briggs & Stratton Engine—recoil start. Model No. 171432, Type No. 0529. Industrial/Commercial rated, solid state electronic ignition, horizontal crankshaft is turned down to 3/4" at PTO end to accept engine pulley. See NOTE 1 below. | 1 |
| 1 | 9362 | Pin—spring, 1/8" | 1 | 35 | 1901085 | 7HP Briggs & Stratton Engine — electric start. Model No. 171437, Type No. 0530. Same as engine above, but with electric starting. For use with tillers already equipped with the Key Switch Starting System (see page 18). See NOTE 1 below. | 1 |
| 2 | 9838 | Nut—castle (slotted), 1/2"-20 | 1 | 37 | 1901086 | 8HP Kohler MagnumEngine—recoil start. Model No. M8T. Specification No. PS-301608. Solid state electronic ignition, horizontal crankshaft is turned down to 3/4" at PTO end to accept engine pulley. See NOTE 1 below. | 1 |
| 3 | 9934 | Washer—shoulder, 1/2" | 1 | 37 | 1901087 | 8HP Kohler Magnum Engine—electric start. Model No. M8ST. Specification No. PS-301609. Same as engine above, but with electric starting. For use with tillers already equipped with the Key Switch Starting System (see page 18). See NOTE 1 below. | 1 |
| 4 | 9932 | Washer—disc spring | 2 | 38 | 55053 | Decal—hot surface safety warning.. | 2 |
| 5 | 2628 | Lever—wheel speed shift (incl. Ref. No.'s 6 and 18) | 1 | 39 | 1900767 | Decal—engine stabilization, for Kohler engine | 1 |
| 6 | 1902240 | Knob—wheel speed shift lever (incl. Ref. No. 18 and plastic decal inlay) | 1 | 40 | 2522 | Engine Weight—for Briggs & Stratton engine only | 1 |
| 7 | 9317 | Pin—cotter, 3/32" x 1" | 1 | 41 | 9966 | Bolt—hex hd., 5/16-18 x 2-1/4", Grade 5 | 2 |
| 8 | 1231 | Rod—connecting rod, wheel speed shift lever | 1 | 42 | 20553 | Spacer—zinc plated | 2 |
| 9 | 1033 | Swivel—connecting rod | 1 | WHEEL & TIRE ASSEMBLIES | | | |
| 10 | 9902 | Washer—flat, 5/16", S.A.E. | 1 | 43 | 9322 | Pin—roll, 5/16" x 1-1/2" | 2 |
| 11 | 9338 | Pin—hair cotter | 1 | 45 | 2709-01 | Wheel & Tire Assy—bar tread, left side, 4:80 x 8" tubeless tire with valve stem, mounted on single-piece steel wheel | 1 |
| 12 | 9808 | Locknut—hex hd., 5/16"-18 | 1 | 45A | 2709-02 | Wheel & Tire Assy—bar tread, right side. Same as above but for right side of tiller | 1 |
| 13 | 9710 | Bolt—flanged hex hd., 3/8-16 x 1" .. | 5 | 46 | 1902020 | Cap—wheel hub | 2 |
| 14 | 9913 | Lockwasher—spring lock, 3/8" | 5 | ENGINES AND ENGINE MOUNT | | | |
| 15 | 9904 | Washer—flat, 3/8", S.A.E. | 7 | 28 | 90008 | Bolt—hex hd., 5/16-18 x 1", Grade5.. | 2 |
| 16 | 2146 | Bushing—spacer, 21/64" (.325"lg.) | 2 | 29 | 9801 | Nut—hex, 5/16"-18 | 4 |
| 17 | 1113-1 | Bushing—spacer, 19/64" (.300"lg.) | 2 | 30 | 1034 | Bar—engine mounting | 2 |
| 18 | 9120 | Ring—retaining (tolerance ring) | 1 | 31 | 9147 | Plug—thread protector, red plastic. | 2 |
| BELT DRIVE SYSTEM | | | | 32 | 9572 | Bolt—hex hd., 5/16-24 x 1-1/8" | 4 |
| 19 | 1920 | Block—belt adjustment, 3-7/8" (incl. Ref. No.'s 13,15, and 20) | 1 | 33 | 9912 | Lockwasher—spring lock, 5/16" | 6 |
| 20 | 2100 | Rod—belt adjust., 7" with measuring gauge | 1 | 34 | 2565 | Mount—engine to tiller | 1 |
| 21 | 1900766 | Decal—engine stabilization, for Briggs & Stratton engine | 1 | | | | |
| 22 | 9715 | Bolt—hex hd., 3/8-24 x 1-1/2" | 1 | | | | |
| 23 | 1919 | Disc—reverse, (incl. Ref. No. 19) ... | 1 | | | | |
| 24 | 9245 | Belt—forward drive (no substitute recommended due to extra strength required) | 1 | | | | |
| 25 | 1483 | Pulley—engine power take off | 1 | | | | |
| 26 | 1138-1 | Shim—engine pulley, 1/16" thick | As Req'd | | | | |
| 26 | 1138-2 | Shim—same as above, 1/32" thick . | As Req'd | | | | |
| 27 | 9303 | Key—engine pulley, 3/16"sq. x 2-1/2" | 1 | | | | |

NOTE 1—Please call or write Technical Service Dept. before ordering replacement engine.

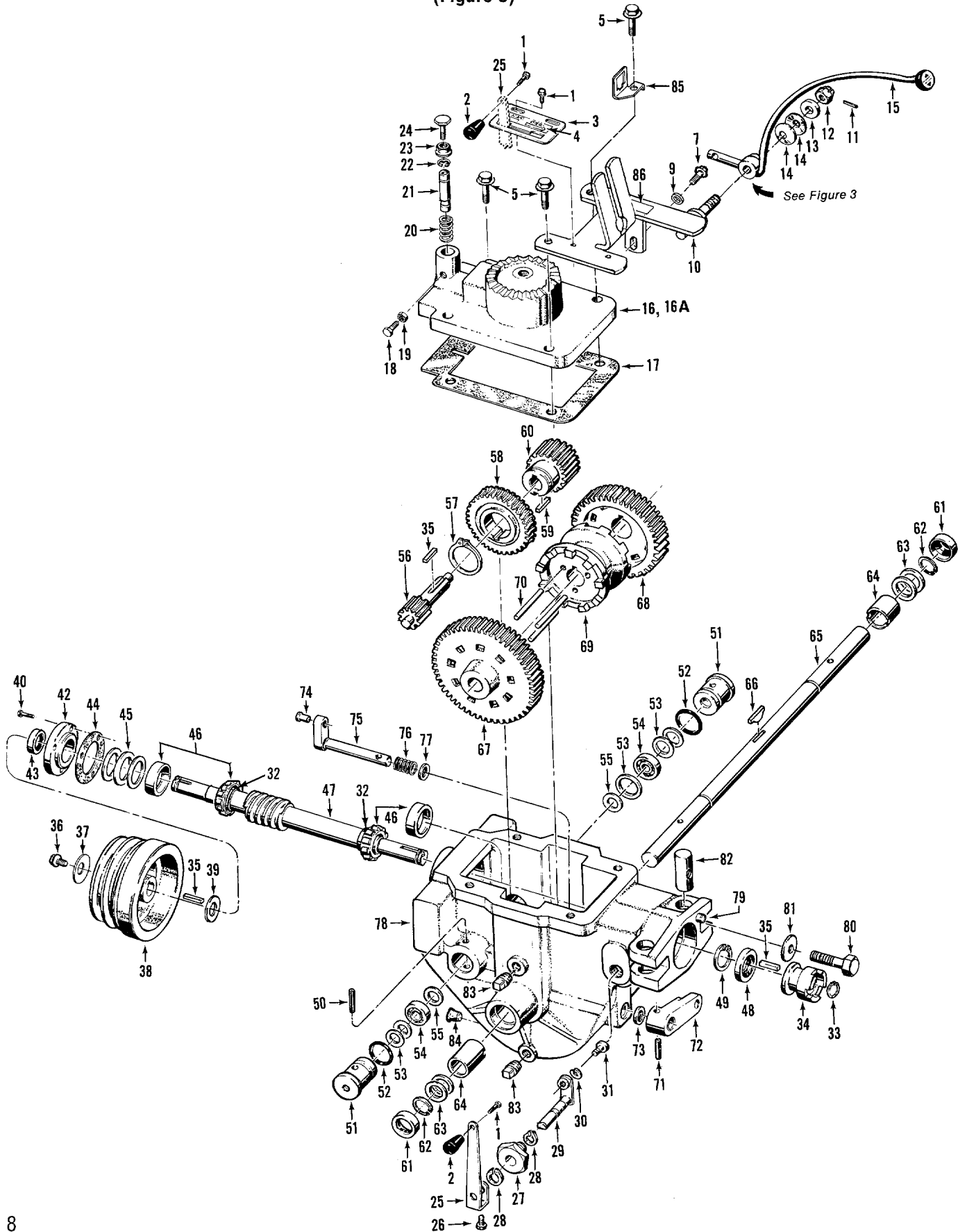
NOTE 2—For correct traction and directional control, Bar Tread Tires should be mounted on the tiller so that the closed end of the "V" in the tire tread on top of the tire will face forward.

DEPTH REGULATOR & TINE HOOD ASSEMBLIES
(Figure 4)



| REF No. | PART No. | DESCRIPTION | QTY. | REF No. | PART No. | DESCRIPTION | QTY. |
|---------|------------|--|------|---------|----------|--|------|
| 1 | 9712 | Bolt-hex hd., 3/8-16 x 1-1/4" | 2 | 11 | ---- | This Ref. No. not used | |
| 2 | 1113-1 | Bushing-19/64" (.300" lg.) | 2 | 12 | 9929 | Washer-flat, 5/16" | 2 |
| 3 | 9913 | Lockwasher-spring lock, 3/8" | 2 | 13 | 2629 | Hood-(incl. Ref. No. 14) | 1 |
| 4 | 9802 | Nut-hex, 3/8"-16 | 2 | 14 | 2719 | Decal-hood, operating instructions. | 1 |
| 5 | 1117A | Bar-depth regulator (incl. Ref. No.'s 6 and 7) | 1 | 15 | 2527 | Bracket-(incl. Ref. No. 16) | 1 |
| 6 | 9120 | Ring-retaining | 1 | 16 | 9308 | Pin-roll (spiro) 1/4" x 1" | 1 |
| 7 | 9119 | Knob-depth regulator (incl. Ref. No. 6) | 1 | 17 | 9534 | Spacer | 1 |
| 8 | 1900867010 | Bar-drag, depth regulator | 1 | 18 | 9384 | Spring | 1 |
| 9 | 9552 | Screw-thread-forming, 1/4-20 x 1/2" | 2 | 19 | 9734 | Bolt-hex hd., 1/4-20x1" | 1 |
| 10 | 90044 | Bolt-flanged hex hd., 5/16-18 x 3/4" | 2 | 20 | 9811 | Locknut-1/4"-20 | 1 |
| | | | | 21 | 90038 | Bolt-flanged hex hd., 5/16-18 x 5/8" | 2 |

POWER UNIT TRANSMISSION ASSEMBLIES
(Figure 5)

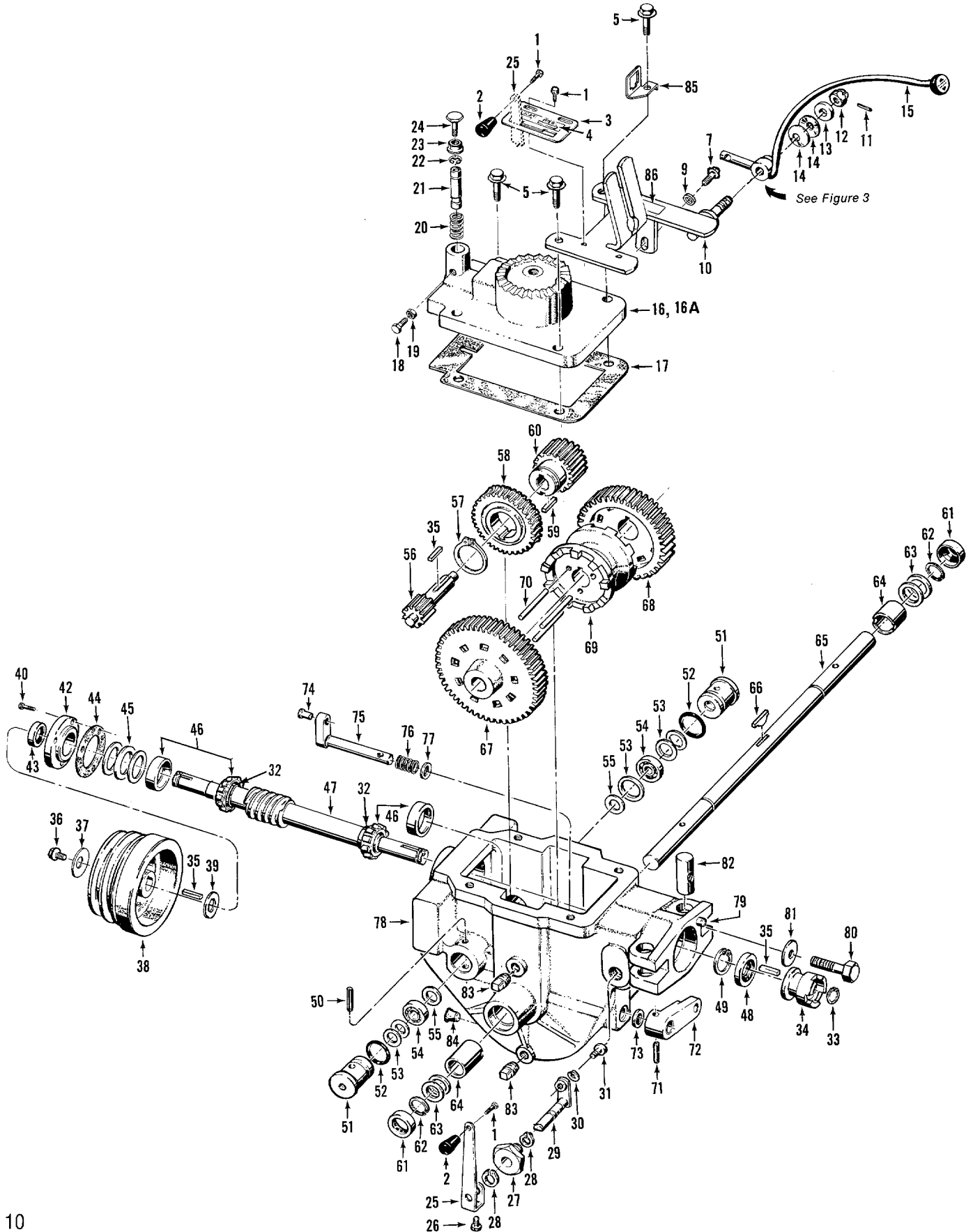


| REF No. | PART No. | DESCRIPTION | QTY. |
|--|------------|--|------|
| TRANSMISSION COVER & SHIFT LEVER BRACKET ASSEMBLIES | | | |
| 1 | 9782 | Bolt-hex hd., #10-32 x 3/8", self-locking flange..... | 3 |
| 2 | 9463 | Knob-tines/PTO clutch lever, tapered, plastic | 1 |
| 3 | 2263 | Detent Plate-tines/PTO clutch lever (incl. Ref. No. 4) | 1 |
| 4 | 1900758 | Decal-operating instructions, detent plate | 1 |
| 5 | 90047 | Bolt-flanged hex hd., 3/8-16 x 1-1/2" | 4 |
| 6 | --- | This Ref. No. not used | |
| 7 | 90044 | Bolt-flanged hex hd., 5/16-18 x 3/4", Grade 5 | 1 |
| 8 | --- | This Ref. No. not used | |
| 9 | 9902 | Washer-flat, 5/16", S.A.E. | 1 |
| 10 | 1900870010 | Bracket-shift levers (incl. Ref. No. 86)..... | 1 |
| 11 | 9362 | Pin-spring, 1/8" | 1 |
| 12 | 9838 | Nut-castle (slotted), 1/2"-20, call Tech Service for tightening instructions. | 1 |
| 13 | 9934 | Washer-shoulder, 1/2" | 1 |
| 14 | 9932 | Washer-disc spring | 2 |
| 15 | --- | Lever-wheel speed shift (see page 4, Ref. No. 5 for part number) ... | 1 |
| 16 | 1900869010 | Cover-power unit transmission | 1 |
| 16A | 2566 | Cover-power unit transmission (incl. Ref. No.'s 18,19, 20, 21, 22, 23 and 24) | 1 |
| 17 | 1123 | Gasket-transmission cover..... | 1 |
| 18 | 90008 | Bolt-hex hd., 5/16-18 x 1", Grade 5, (remove with care) | 1 |
| 19 | 9801 | Nut-hex, 5/16"-18 | 1 |
| 20 | 1901439 | Spring-neutral plunger (remove with care) | 1 |
| 21 | 1035 | Plunger-neutral (remove with care) (incl. Ref. No. 22) | 1 |
| 22 | 1901440 | Clip Ring-retains neutral plunger.. | 1 |
| 23 | 9831 | Nut-hex, flange locknut, 3/8"-16 ... | 1 |
| 24 | 9545 | Bolt-hex hd., 3/8-16x1-1/2", threaded full length..... | 1 |
| TINES/PTO CLUTCH LEVER ASSEMBLY | | | |
| 25 | 1900878010 | Lever-eccentric, tines/PTO clutch. (also see Ref. No.'s 1, 2,3 and 4 listed above) | 1 |
| 26 | 9743 | Bolt-hex hd., 1/4-20 x 1/2" | 1 |
| 27 | 2123 | Bushing-tines/PTO clutch lever eccentric shaft | 1 |
| 28 | 9516 | Retaining Ring-(snap ring), | |

| REF No. | PART No. | DESCRIPTION | QTY. |
|------------------------------|------------|--|----------|
| | | external..... | 2 |
| 29 | 2461 | Eccentric-shaft, tines/PTO clutch lever..... | 1 |
| 30 | 9911 | Lockwasher-hi-collar, 1/4" | 1 |
| 31 | 9672 | Screw-socket hd., 1/4-20 x 3/8" ... | 1 |
| DRIVE SHAFT ASSEMBLY | | | |
| 32 | 1138-1 | Washer-shoulder (drive shaft)..... | 2 |
| 33 | 9500 | Retaining Ring-external..... | 1 |
| 34 | 1909139 | Dog Clutch-power unit | 1 |
| 35 | 9301 | Key-3/16 sq. x 1" | 3 |
| 36 | 9655 | Bolt-hex hd., 5/16-24 x 3/4", self-locking flange, Grade 5..... | 1 |
| 37 | 9944 | Washer-disc spring (concave)..... | 1 |
| 38 | 2107 | Pulley-transmission drive, cast iron | 1 |
| 39 | 50027 | Washer-flat, hardened shoulder 1-1/4"..... | 1 |
| 40 | 9579 | Bolt-hex hd., 1/4-20 x 3/4", front bearing cap..... | 3 |
| 41 | --- | This Ref. No. not used | |
| 42 | 1900879010 | Cap-front bearing | 1 |
| 43 | 85030 | Seal-oil, front bearing cap | 1 |
| 44 | 1124-2 | Gasket-front bearing cap | 1 |
| 45 | 1224-1 | Shim-front bearing cap, .010" thick | As Req'd |
| 45 | 1224-2 | Shim-as above, .030" | As Req'd |
| 45 | 1224-3 | Shim-as above, .005" | As Req'd |
| 45 | 1224-4 | Shim-as above, .062" | As Req'd |
| 46 | 1714 | Bearing & Cup-tapered cone roller bearing with cup (race). Cone and cup sold as set only | 2 |
| 47 | 11601 | Shaft-main drive, power unit. Incl. integral worm, plus two pressed-on cone roller bearings, two bearing cups and two shoulder washers | 1 |
| 48 | 9617 | Seal-oil, drive shaft, rear | 1 |
| 49 | 9517 | Retaining Ring-(snap ring), internal..... | 1 |
| PINION SHAFT ASSEMBLY | | | |
| 50 | 9309 | Pin-roll (spiro), 1/4 x 2" | 2 |
| 51 | 1060A | Plug-retaining, pinion bearing (incl. Ref. No. 52) | 2 |
| 52 | 9604 | O-Ring-retaining plug..... | 2 |
| 53 | 1132-1 | Shim-retaining plug, 1-1/64" inner diam., .033" thick (on right side only one #1132-1 shim is also used between bearing and washer, Ref. No.'s 54 & 55)..... | As Req'd |

(continued)

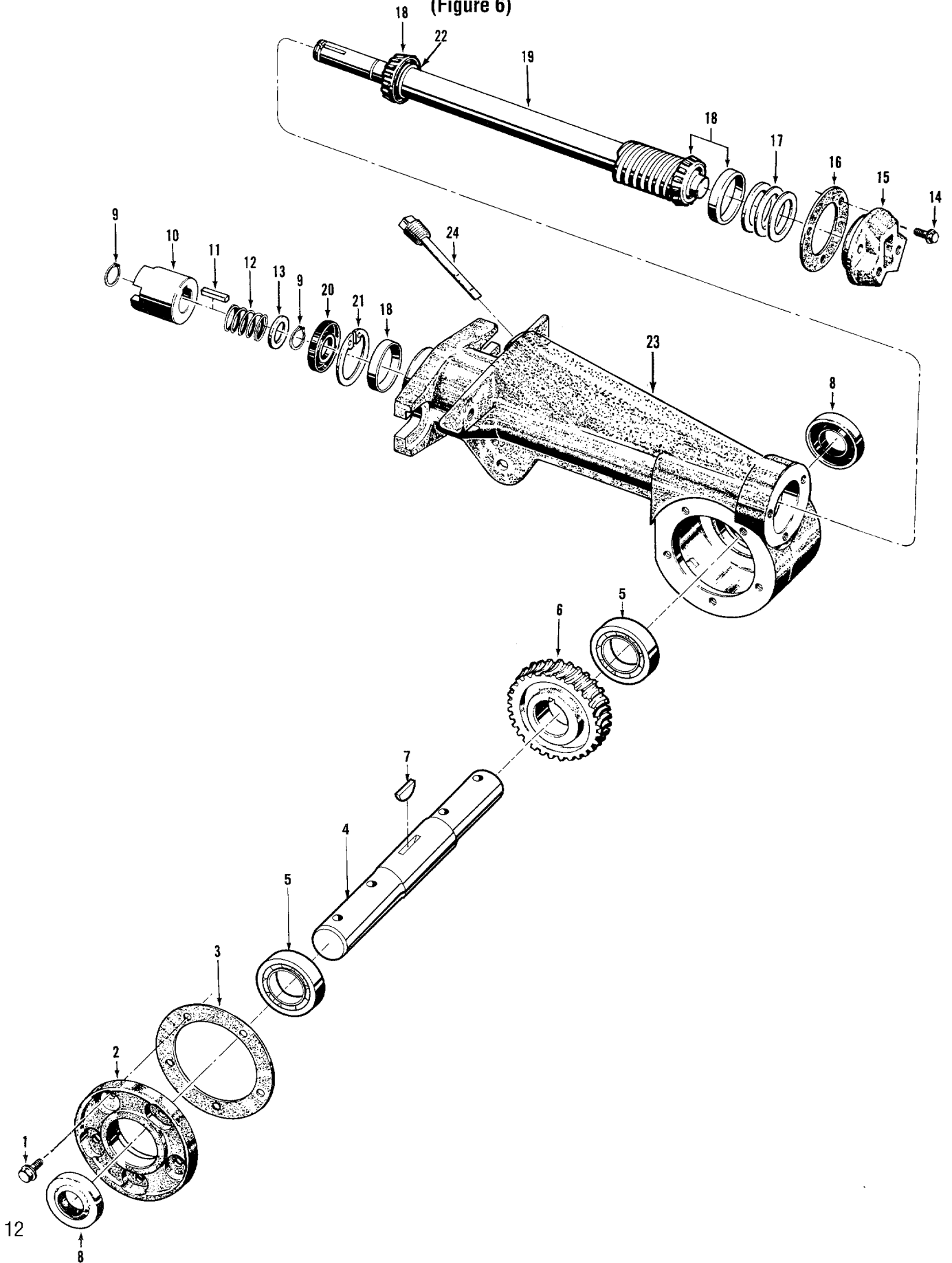
POWER UNIT TRANSMISSION ASSEMBLIES
(Figure 5 Continued)



| REF No. | PART No. | DESCRIPTION | QTY. |
|--|----------|--|----------|
| PINION SHAFT ASSEMBLY (continued) | | | |
| 53 | 1132-2 | Shim—same as 1132-1, .062" thick | As Req'd |
| 53 | 1132-3 | Shim—same as 1132-1, .010" thick | As Req'd |
| 54 | 9404 | Bearing—ball, pinion shaft | 2 |
| 55 | 1126 | Washer—pinion shaft | 2 |
| 56 | 1222 | Stem Pinion—slow speed gear & shaft | 1 |
| 57 | 9502 | Ring—retaining, external | 1 |
| 58 | 2656 | Worm Gear—bronze, wheel drive | 1 |
| 59 | 9300 | Key—3/16" x 5/8" | 1 |
| 60 | 1233 | Gear—fast speed pinion | 1 |
| WHEEL SHAFT ASSEMBLY | | | |
| 61 | 9621 | Seal—oil, wheel shaft | 2 |
| 62 | 9511 | Retaining ring—external | 2 |
| 63 | 1166-1 | Shim—wheel shaft, 1-1/64" inner diam. .062" thick | As Req'd |
| 63 | 1166-2 | Shim—as above, .030" thick | As Req'd |
| 63 | 1166-3 | Shim—as above, .015" thick | As Req'd |
| 63 | 1166-4 | Shim—as above, .010" thick | As Req'd |
| 63 | 1166-5 | Shim—same as above, .005" thick | As Req'd |
| 64 | 1086 | Bushing—bronze, wheel shaft bearing | 2 |
| 65 | 1878 | Shaft—wheel, 15-5/8", (Incl. two of Ref. No. 62 and one Ref. No. 66) | 1 |
| 66 | 9357 | Key—Hi Pro, 1/4" x 1-3/4" | 1 |
| 67 | 1223 | Gear—slow speed, wheel drive | 1 |
| 68 | 1232 | Gear—fast speed, wheel drive | 1 |
| 69 | 1237 | Dog Clutch—wheel drive | 1 |
| 70 | 1112 | Pin—clutch guide, 1/4" diameter | 3 |

| REF No. | PART No. | DESCRIPTION | QTY. |
|---------------------------------|------------|---|------|
| ECCENTRIC SHAFT ASSEMBLY | | | |
| 71 | 9307 | Pin—roll, 3/16" x 1-1/4" (spiral) | 1 |
| 72 | 1900880010 | Lever—eccentric, wheel speed shifting | 1 |
| 73 | 9622 | Seal—oil, eccentric shaft | 1 |
| 74 | 1442 | Pin—eccentric shaft, wheel speed shifting | 1 |
| 75 | 2712 | Eccentric Shaft—wheel speed shifting | 1 |
| 76 | 1441 | Spring—eccentric shaft | 1 |
| 77 | 1440 | Washer—eccentric shaft | 1 |
| TRANSMISSION HOUSING | | | |
| 78 | 2260 | Housing—power unit transmission (incl. Ref. No. 79). Empty housing without covers, shafts, gears, seals, etc. Call Factory before ordering) | 1 |
| 79 | 9359 | Pin—alignment | 1 |
| MISCELLANEOUS PARTS | | | |
| 80 | 9560 | Bolt—hex hd., 1/2-13 x 2" Grade 5 | 2 |
| 81 | 9928 | Washer—disc spring (concave), domed side faces bolt head | 2 |
| 82 | 2126 | Post—with threaded hole for Ref. No. 80 | 2 |
| 83 | 9726 | Plug—pipe, 1/4" | 2 |
| 84 | 9122 | Plug—red plastic, thread protector | 1 |
| 85 | 9205 | Clip—forward interlock system plug connector (see page 17) | 1 |
| 86 | 1900759 | Decal—forward interlock wire harness | 1 |

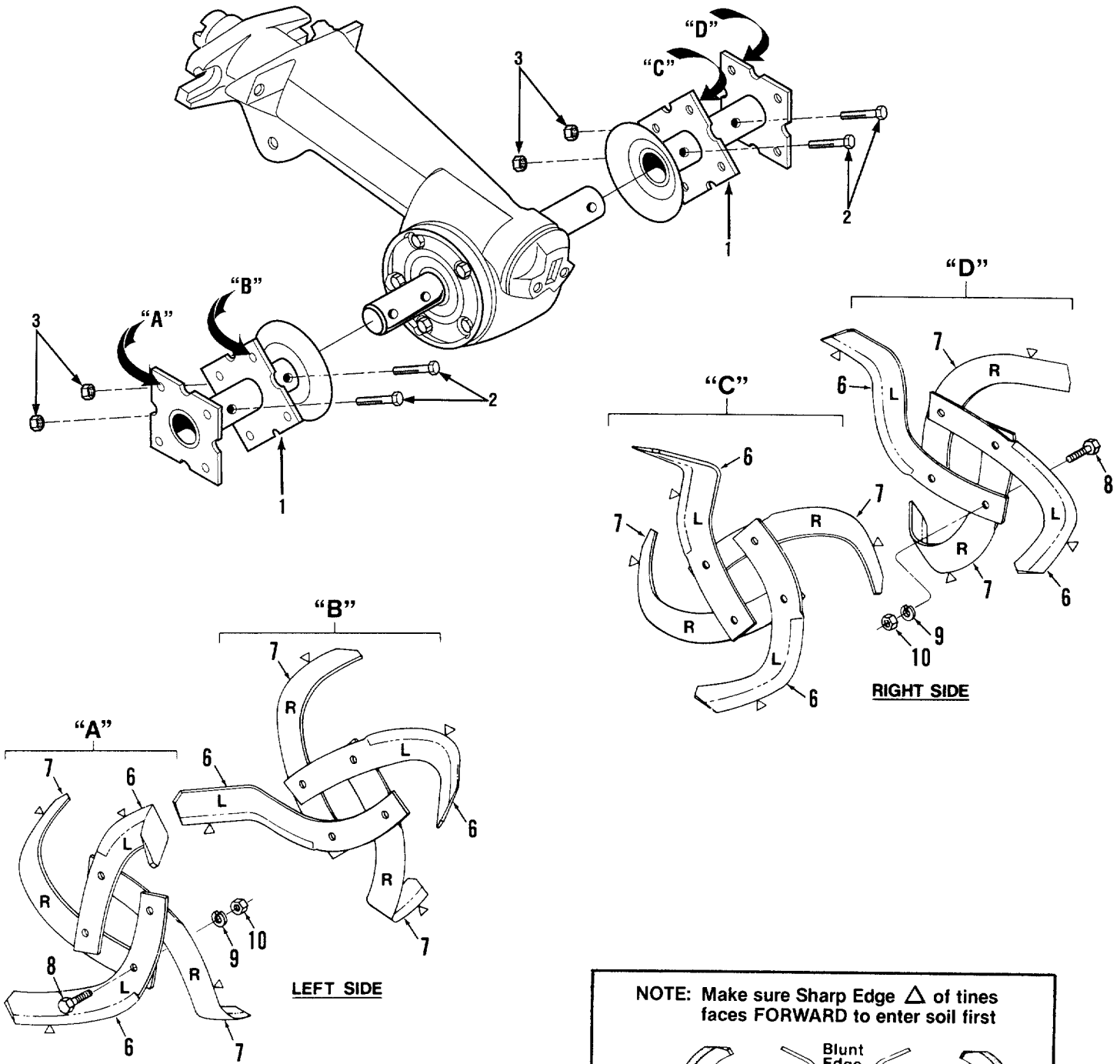
TILLER ATTACHMENT TRANSMISSION ASSEMBLIES
(Figure 6)



| REF No. | PART No. | DESCRIPTION | QTY. |
|------------------------------------|------------|--|----------|
| 1 | 1908211 | Bolt-hex hd., 1/4-20 x 5/8", self-locking flange | 5 |
| 2 | 20873 | Cover-tiller housing (incl. five of Ref. No.1) | 1 |
| 3 | 1129-1 | Gasket-tiller housing cover, .010" thick..... | As Req'd |
| 3 | 1129-2 | Gasket-same as above, .030" thick..... | As Req'd |
| 4 | 1901972 | Shaft-tiller tine..... | 1 |
| 5 | 97074 | Ball Bearing..... | 2 |
| 6 | 1901976 | Worm Gear-bronze, tiller tine shaft | 1 |
| 7 | 1104 | Key-tiller tine shaft, woodruff key. | 1 |
| 8 | 97073 | Seal-oil, tiller tine shaft..... | 2 |
| TILLER DRIVE SHAFT ASSEMBLY | | | |
| 9 | 9500 | Retaining Ring-external | 2 |
| 10 | 1909138 | Dog Clutch-tiller drive shaft..... | 1 |
| 11 | 9301 | Key-3/16" x 1" | 1 |
| 12 | 2127 | Spring-dog clutch..... | 1 |
| 13 | 1138-1 | Shim-dog clutch, 1/16"(.62") thick.. | 1 |
| 14 | 1908212 | Bolt-hex hd., 1/4-20 x 7/8", self-locking flange | 3 |
| 15 | 1900881010 | Cap-rear bearing..... | 1 |
| 16 | 1124-2 | Gasket-rear bearing cap | 1 |
| 17 | 1224-1 | Shim-front bearing cap, .010" thick..... | As Req'd |

| REF No. | PART No. | DESCRIPTION | QTY. |
|--|----------|---|----------|
| 17 | 1224-2 | Shim-same as above, .030" thick..... | As Req'd |
| 17 | 1224-3 | Shim-same as above, .005" thick..... | As Req'd |
| 17 | 1224-4 | Shim-same as above, .062" thick..... | As Req'd |
| 18 | 1714 | Bearing & Cup-sold as set only | 2 |
| 19 | 11602 | Shaft-main tiller drive (incl. an integral worm gear, plus two pressed-on cone roller bearings, two bearing cups (Ref. No. 18) and one shoulder washer | 1 |
| 20 | 9617 | Seal-oil, drive shaft, front | 1 |
| 21 | 9517 | Retaining Ring-internal..... | 1 |
| 22 | 1138-1 | Washer-shoulder (drive shaft)..... | 1 |
| TRANSMISSION HOUSING AND DIPSTICK | | | |
| 23 | 1902000 | Housing-tiller attachment (incl. pressed-on sleeve in front of housing). Empty housing without shafts, gears, seals, dipstick, etc. Call Factory before ordering..... | 1 |
| 24 | 1909157 | Dipstick-oil level, tiller attachment | 1 |

BOLO TINE ASSEMBLIES
(Figure 7)



LEGEND:
 △ = Sharp Edge
 L = Left Bolo Tine
 R = Right Bolo Tine

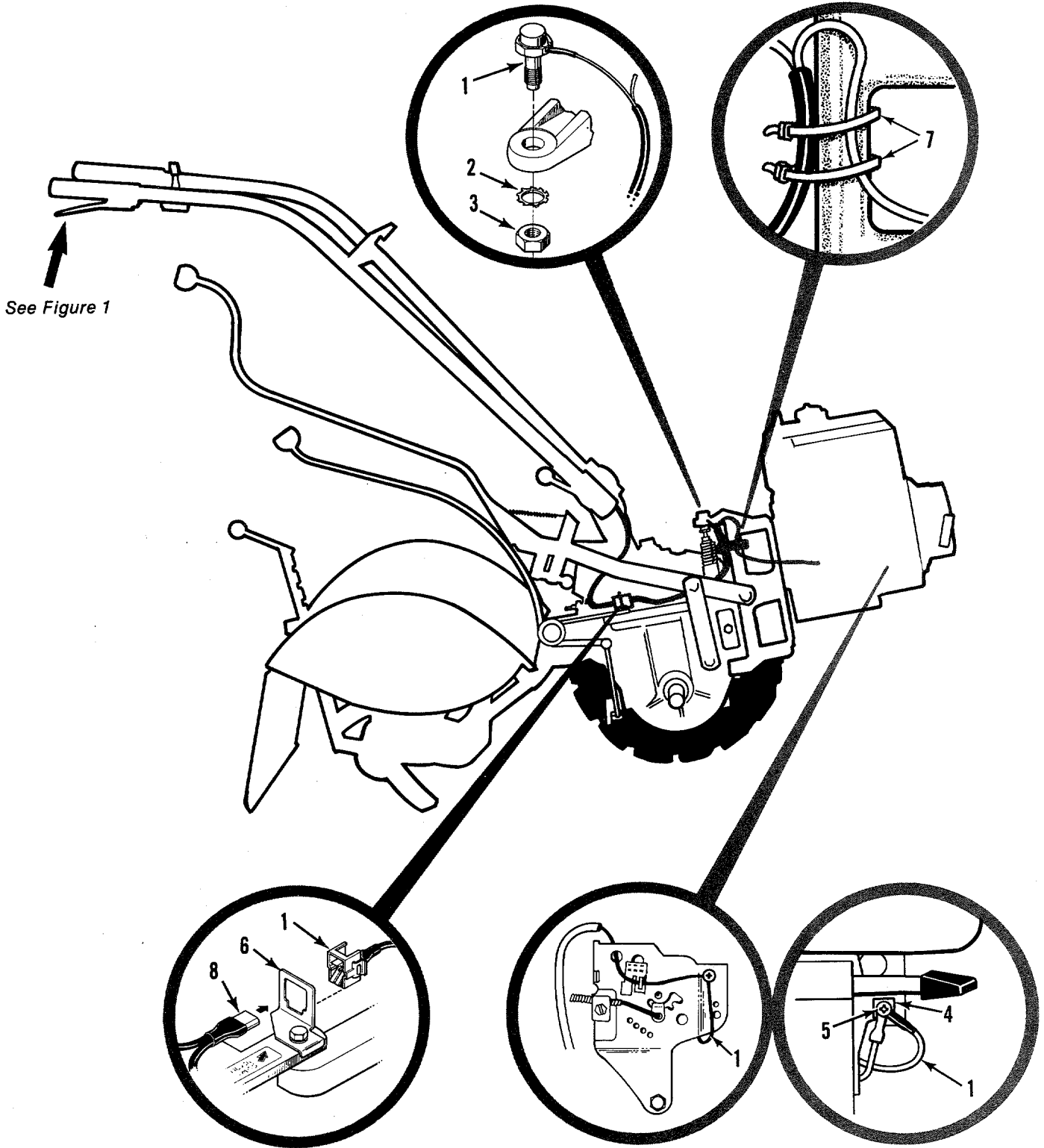
NOTE: Make sure Sharp Edge △ of tines faces FORWARD to enter soil first

LEFT HAND TINE RIGHT HAND TINE
 (As viewed with blunt edge facing you.)

| REF No. | PART No. | DESCRIPTION | QTY. |
|-------------------------------|------------|--|------|
| STANDARD TILLING TINES | | | |
| 1 | 1901975010 | Tine Holder—welded steel, fits left or right sides..... | 2 |
| 2 | 9761 | Bolt—hex hd., 3/8-16 x 2"..... | 4 |
| 3 | 9807 | Locknut—3/8"-16..... | 4 |
| 4 | --- | This Ref. No. not used..... | |
| 5 | --- | This Ref. No. not used..... | |
| 6 | 1270-1A | Bolo Tine—single, left hand. Used on left and right side tine assy. Tine is stamped either "EL" or "AL". (Incl. two each of Ref. No.'s 8, 9 and 10)..... | 8 |
| 7 | 1270-2A | Bolo Tine—single, right hand. Used on left and right side tine assy. Tine is stamped either "ER" or "AR". (Incl. same hardware as Ref. No. 6)..... | 8 |
| 8 | 9711 | Bolt—hex hd., 3/8-16 x 1"..... | 16 |
| 9 | 9913 | Lockwasher—3/8"..... | 16 |
| 10 | 9802 | Nut—hex, 3/8"-16..... | 16 |
| --- | 1901118 | Tine Replacement Kit—unassembled (Incl. eight each of Ref. No.'s 6, and 7, sixteen each of Ref. No.'s 8, 9 and 10). Includes easy-to-follow installation instruction. DOES NOT INCLUDE tine holders, holder mounting hardware, or tine shaft keys..... | 1 |

| REF No. | PART No. | DESCRIPTION | QTY. |
|--|----------|--|------|
| CUSTOM TILLING TINES | | | |
| Special hard-faced, high-chrome carbon alloy tines that are thicker than standard Bolo Tines. These tines better resist the abrasive action of rocky, gritty or sandy soil as compared to standard Bolo Tines, and are especially suited for custom tilling or market gardening. | | | |
| --- | 10802 | Custom Tilling Tine Kit—(Incl. eight each of Part #2475-1 and #2475-2 tines and sixteen each of #9711 bolts and #9807 locknuts.....) | 1 |
| --- | 2475-1 | Bolo Tine, Custom Tilling—single, left hand..... | 8 |
| --- | 2475-2 | Bolo Tine, Custom Tilling—single, right hand..... | 8 |
| --- | 9807 | Locknut—hex, 3/8", used in place of Ref. No.'s 9 and 10 when using Custom Tilling Tines..... | 16 |

**FORWARD INTERLOCK SYSTEM
(Figure 8)**



BRIGGS & STRATTON

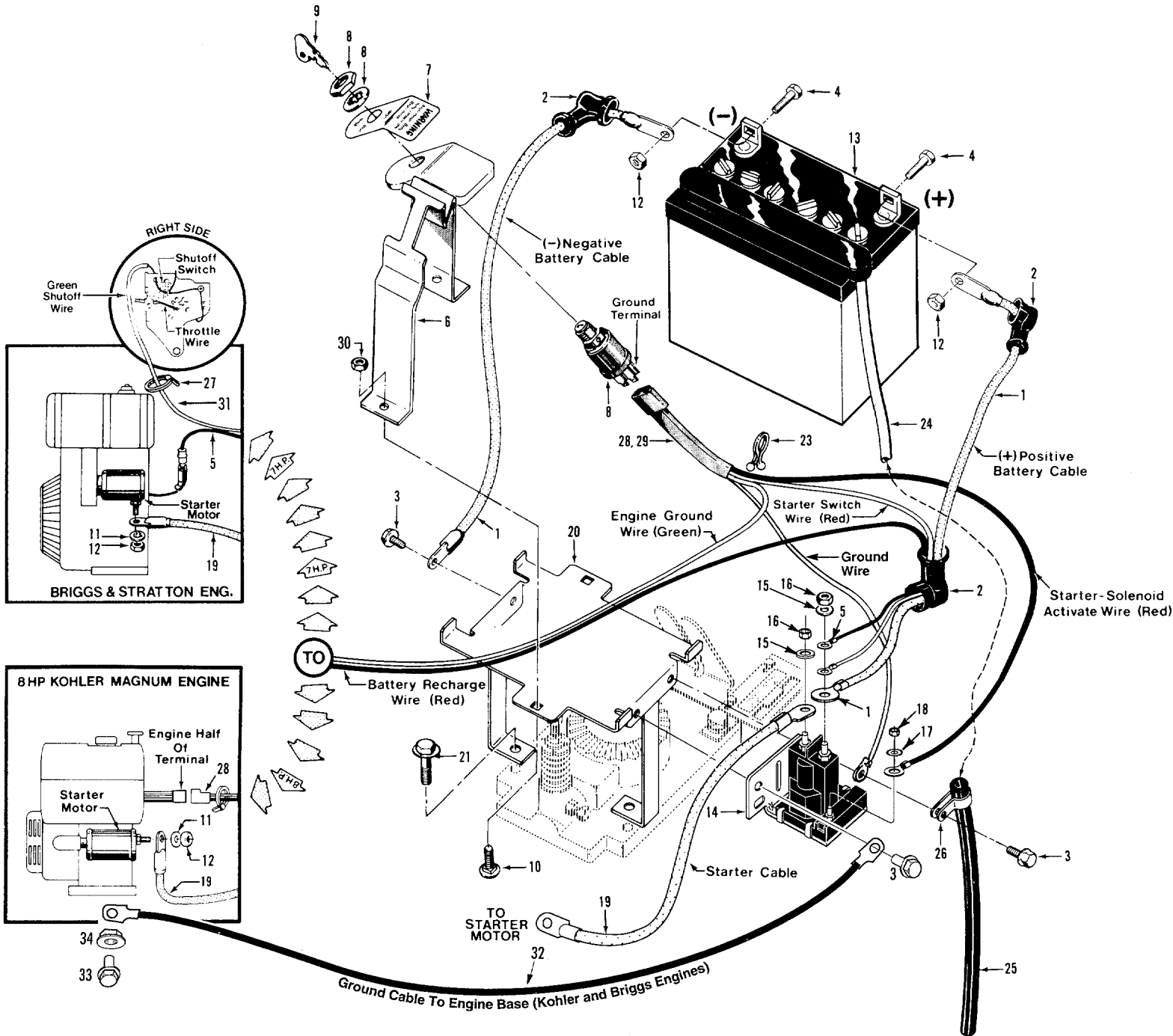
8HP KOHLER

| REF No. | PART No. | DESCRIPTION | QTY. |
|---------|----------|---|------|
| 1 | 2552 | Engine Wire Harness Assy—forward interlock system (Incl. one red and one black wire, plug connector, neutral switch and PVC tubing. Parts not available separately..... | 1 |
| 2 | 9971 | Lockwasher—external tooth, 7/16" | 1 |
| 3 | 9851 | Nut—hex, 7/16"-20 | 1 |

| REF No. | PART No. | DESCRIPTION | QTY. |
|---------|----------|---|------|
| 4 | ET69-12 | Grommet—for Kohler engine | 1 |
| 5 | ET42-447 | Screw—#8 Phillips Head, for Kohler engine | 1 |
| 6 | 9205 | Clip—for plug connector | 1 |
| 7 | 9202 | Tie—plastic | 1 |
| 8 | 2551 | Handlebar Wire Harness Assy—(see page 2, Ref. No. 20) | 1 |

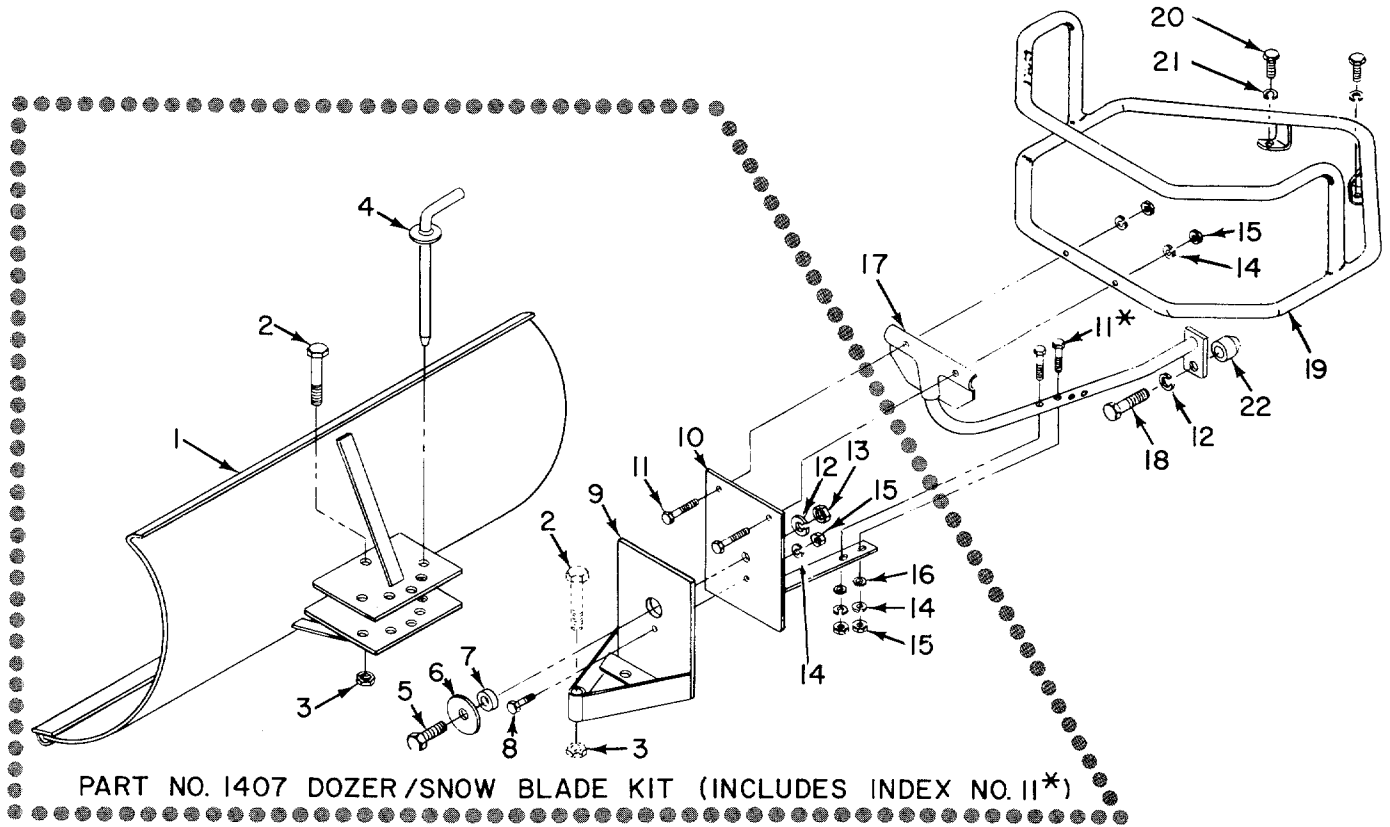
Note: Ref. No. 4 may also be obtained at a Tecumseh Engine Authorized Service Center by ordering part no. 69-12. Ref. No. 5 may also be obtained at a Tecumseh Engine Authorized Service Center by ordering part no. 42-326.

ELECTRIC START SYSTEM – 7HP & 8HP TILLERS
(Figure 9)



| REF No. | PART No. | DESCRIPTION | QTY. | REF No. | PART No. | DESCRIPTION | QTY. |
|---------|----------|--|------|---------|----------|--|------|
| 1 | 96515 | Cable—battery, positive and negative terminals..... | 2 | 22 | ---- | This Ref. No. not used..... | |
| 2 | 97020 | Boot—terminal insulating | 3 | 23 | 9265 | Tie—plastic, wire retaining | 1 |
| 3 | 9552 | Screw—self-threading, 1/4-20 x 1/2" | 3 | 24 | 9009 | Vent Tube—5/16" diameter | 1 |
| 4 | 9780 | Bolt—hex hd., 1/4-20 x 5/8" | 2 | 25 | 1475 | Shield—vent tube, 1/2" diameter... | 1 |
| 5 | 1554 | Wire—recharge (red) for Briggs and Stratton engine (incl. terminal and eyelet) | 1 | 26 | 9224 | Clamp—vent tube shield | 1 |
| 6 | 2616 | Battery Hold-down Clamp—with attached Key Switch Plate (incl. Ref. No. 7) | 1 | 27 | 9202 | Tie—plastic | 2 |
| 7 | 1900944 | Decal—ignition switch instruc..... | 1 | 28 | 1908118 | Wire Harness & Connecting Terminal Assy—for Briggs & Stratton engines(available as complete assembly only). Incl. wire assy., w/connector to large solenoid stud (red wire); wire assy. w/connector to small solenoid stud (red wire); wire assy. w/connector to solenoid grounding screw (red wire); wire assy w/connector to engine ground shut-off (green wire); plastic protector tube; wire harness; connector; wire terminal | 1 |
| 8 | 1908112 | Key Switch—includes two ignition keys (Ref. No. 9), one lockwasher, and one mounting nut (lock-washer and nut not available separately)..... | 1 | 29 | 1908117 | Wire Harness—for Kohler engine. Incl. two receptacles; three red wires (solenoid activate, battery recharge, and starter switch); two green (ground)(shutoff) wires; plastic harness tube..... | 1 |
| 9 | 96520 | Key—ignition, one pair..... | 1 | 30 | 9844 | Locknut—hex, 1/4"-20 | 2 |
| 10 | 9566 | Bolt—carriage, 1/4-20 x 1-1/4" | 2 | 31 | 20421 | Wire—ground | 1 |
| 11 | 9910 | Lockwasher—spring lock, 1/4"..... | 2 | 32 | 1901202 | Cable—ground, solenoid to engine block | 1 |
| 12 | 9800 | Nut—hex, 1/4"-20 | 4 | 33 | 90045 | Bolt—flange lock, 5/16-18 x 1"..... | 1 |
| 13 | 9092B | Battery—12 volt, 30 amps., side-vented. (incl. Ref. No. 24) | 1 | 34 | 9848 | Nut—flange lock, 5/16"-18 | 1 |
| 14 | 96514 | Solenoid—starter, includes nuts and washers for cables and wires... | 1 | | | | |
| 15 | 9912 | Lockwasher—5/16" | 2 | | | | |
| 16 | 9826 | Nut—hex, 5/16"-24 | 2 | | | | |
| 17 | 9921 | Lockwasher—external tooth, #10.. | 1 | | | | |
| 18 | 9809 | Nut—hex, #10-32,..... | 1 | | | | |
| 19 | 96510 | Cable—solenoid to starter motor .. | 1 | | | | |
| 20 | 2571 | Battery Bracket | 1 | | | | |
| 21 | 90047 | Bolt—flanged hex hd., 3/8-16 x 1-1/2" | 2 | | | | |

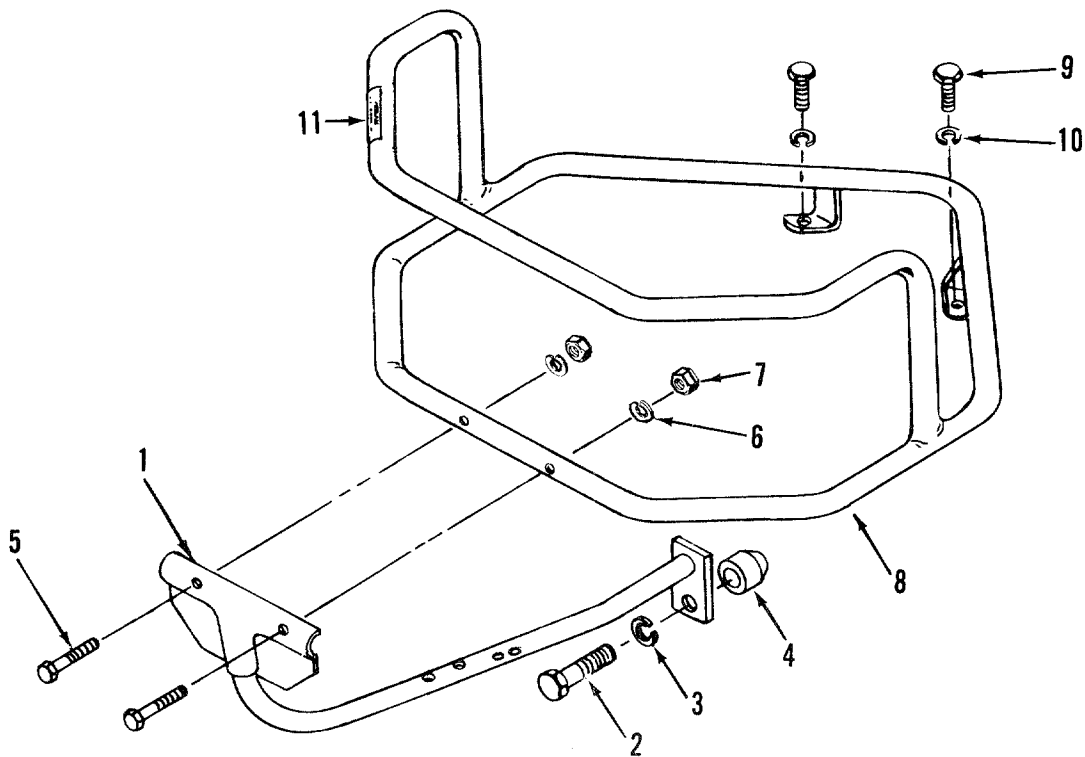
DOZER/SNOW BLADE ATTACHMENT
(Figure 10)



| REF No. | PART No. | DESCRIPTION | QTY. |
|---------|----------|--|------|
| --- | 1873 | Dozer/Snow Blade--(incl. Ref. No.'s 1 through 22)..... | 1 |
| 1 | 1160 | Blade--dozer/snow blade..... | 1 |
| 2 | 9717 | Bolt--hex hd., 1/2-13 x 3"..... | 1 |
| 3 | 9804 | Locknut--hex, 1/2"-13..... | 1 |
| 4 | 1158 | Pin--index, blade angle adjust. | 1 |
| 5 | 9767 | Bolt--hex hd., 1/2-13 x 1-1/2"..... | 1 |
| 6 | 9905 | Washer--plain, 1/2"..... | 1 |
| 7 | 1416 | Bushing..... | 1 |
| 8 | 9705 | Bolt--hex hd., 5/16-18 x 1-1/4"..... | 1 |
| 9 | 1162 | Bracket--swivel ("A" frame)..... | 1 |
| 10 | 1164 | Bracket--dozer/bumper mounting | 1 |
| 11 | 9759 | Bolt--hex hd., 5/16-18 x 1-3/4"..... | 4 |
| 12 | 9914 | Lockwasher--spring lock, 1/2"..... | 2 |
| 13 | 9803 | Nut--hex, 1/2"-13..... | 1 |
| 14 | 9912 | Lockwasher--spring lock 5/16"..... | 5 |

| REF No. | PART No. | DESCRIPTION | QTY. |
|---------|------------|---|------|
| 15 | 9801 | Nut--hex, 5/16" x 18..... | 5 |
| 16 | 9902 | Washer--plain, 5/16", S.A.E..... | 2 |
| 17 | 2659 | Brace--bumper bottom (requires Ref. No. 22)..... | 1 |
| 18 | 9716 | Bolt--hex hd., 1/2-13 x 2"..... | 1 |
| 19 | 1909088010 | Bumper--wrap around..... | 1 |
| 20 | 9710 | Bolt--hex hd., 3/8-16 x 1"..... | 2 |
| 21 | 9913 | Lockwasher--spring lock, 3/8"..... | 2 |
| 22 | 1561 | Spacer--for bottom brace..... | 1 |
| --- | 1407 | Dozer/Snow Blade Kit--shown within dotted area in Figure 10. For those who have already purchased a bumper (see part #1932 on page 21) and want to add a dozer/snow blade. Kit incl. Ref. No.'s 1 through 16..... | 1 |

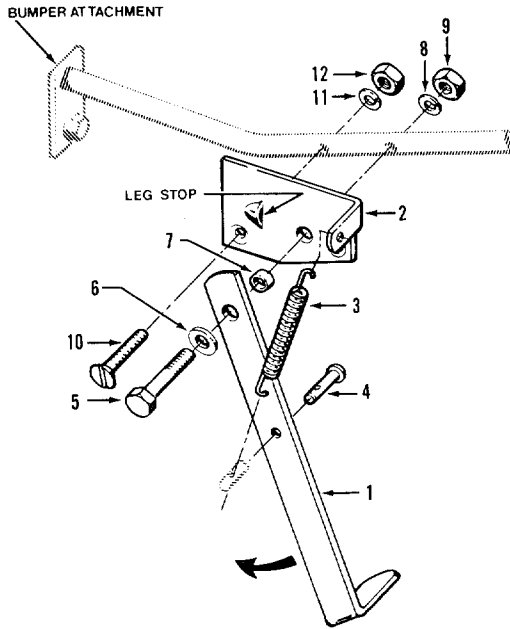
BUMPER ATTACHMENT
(Figure 11)



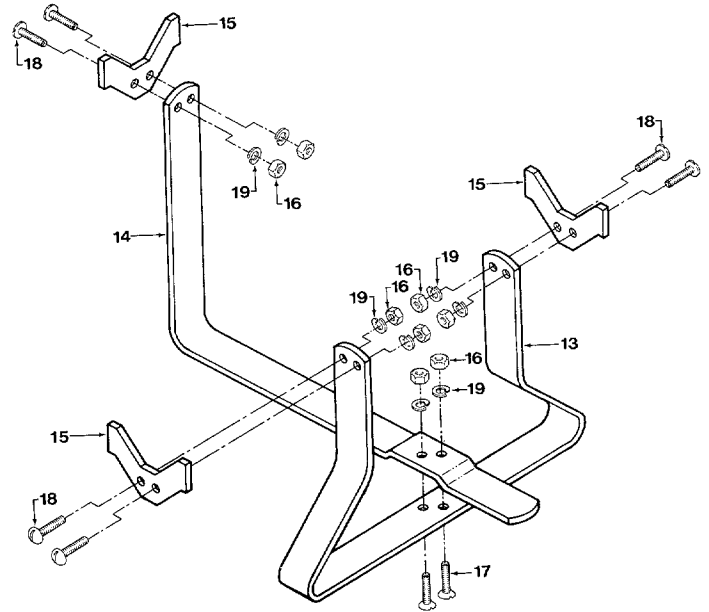
| REF No. | PART No. | DESCRIPTION | QTY. |
|---------|----------|---|------|
| --- | 12556 | Bumper Attach-complete (incl. Ref. No.'s 1 through 11)..... | 1 |
| 1 | 2659 | Brace-bumper bottom..... | 1 |
| 2 | 9716 | Bolt-hex hd., 1/2-13 x 2"..... | 1 |
| 3 | 9914 | Lockwasher-spring lock, 1/2"..... | 1 |
| 4 | 1561 | Spacer-for bottom brace..... | 1 |
| 5 | 9758 | Bolt-hex hd., 5/16-18 x 1-1/2"..... | 2 |

| REF No. | PART No. | DESCRIPTION | QTY. |
|---------|------------|-----------------------------------|------|
| 6 | 9912 | Lockwasher-spring lock, 5/16".... | 2 |
| 7 | 9801 | Nut-hex, 5/16"-18 | 2 |
| 8 | 1909088010 | Bumper-wrap around..... | 1 |
| 9 | 9710 | Bolt-hex hd., 3/8-16 x 1"..... | 2 |
| 10 | 9913 | Lockwasher-spring lock, 3/8"..... | 2 |
| 11 | 1148 | Decal-for bumper..... | 1 |

**KICKSTAND ATTACHMENT
(Figure 12)**



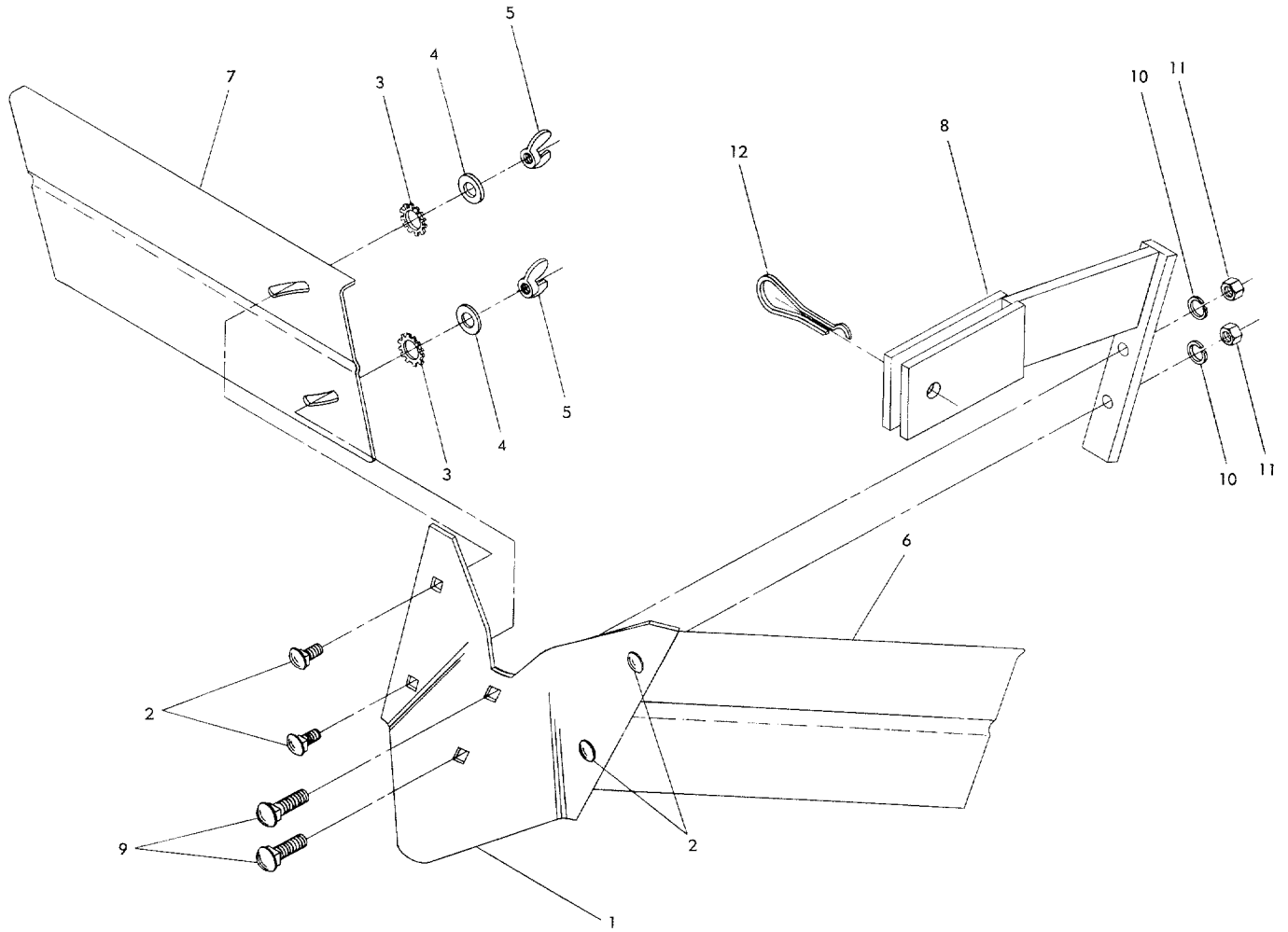
**TINE ATTACHMENT CRADLE
(Figure 13)**



| REF No. | PART No. | DESCRIPTION | QTY. |
|-----------------------------|----------|---|------|
| KICKSTAND ATTACHMENT | | | |
| ---- | 1931 | Kickstand—complete (incl. Ref. No.'s 1 through 12). Kickstand attaches to lower brace of bumper attachment (1932) | 1 |
| 1 | 2195 | Leg—kickstand | 1 |
| 2 | 2196 | Plate—kickstand mounting | 1 |
| 3 | 1492 | Spring—kickstand | 1 |
| 4 | 9336 | Pin—clevis | 1 |
| 5 | 9741 | Bolt—hex hd., 5/16-18 x 2", Grade 5 | 1 |
| 6 | 9902 | Washer—flat, 5/16", S.A.E. | 1 |
| 7 | 9473 | Bushing—.438"lg. (.313" O.D., .275" I.D.) | 1 |
| 8 | 9912 | Lockwasher—spring lock, 5/16" | 1 |
| 9 | 9801 | Nut—hex, 5/16"-18 | 1 |
| 10 | 9567 | Screw—flat hd., 1/4"-20 x 1-1/2" ... | 1 |
| 11 | 9910 | Lockwasher—spring lock, 1/4" | 1 |
| 12 | 9800 | Nut—hex, 1/4"-20 | 1 |

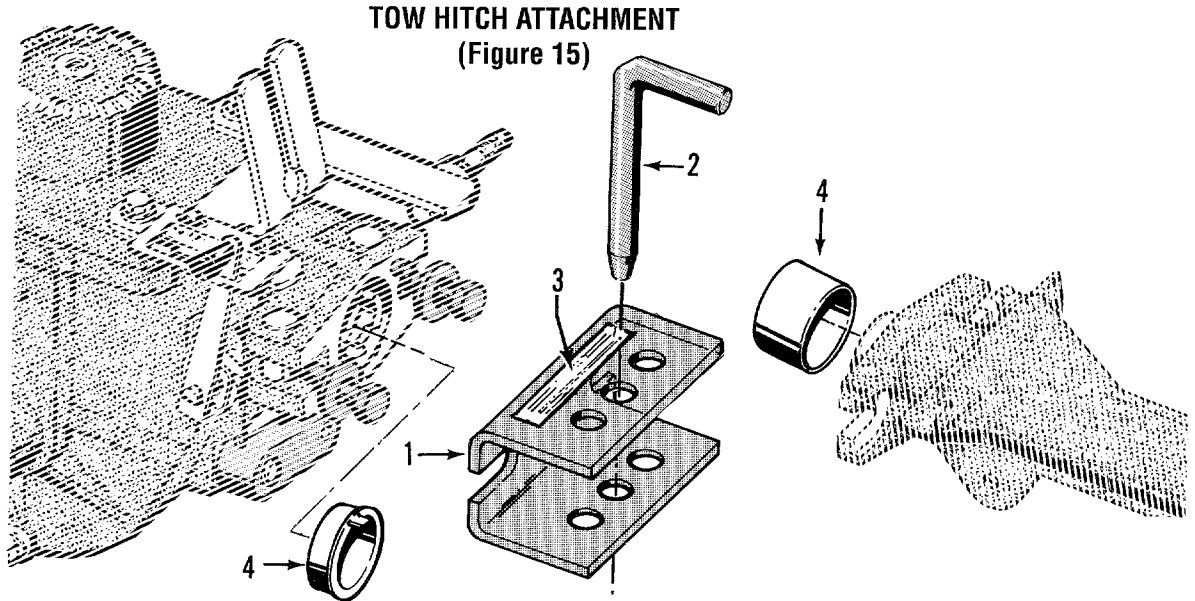
| REF No. | PART No. | DESCRIPTION | QTY. |
|-------------------------------|----------|--|------|
| TINE ATTACHMENT CRADLE | | | |
| --- | 2007 | Tine Attachment Cradle—complete (incl. Ref. No.'s 13 - 19). For storing the tine attachment when removed from power unit. Also assists in removal and replacement of tine attachment | 1 |
| 13 | 2299 | Rear Cradle Support | 1 |
| 14 | 2301 | Front Cradle Support | 1 |
| 15 | 2297 | Tine Cradle Plate | 3 |
| 16 | 9800 | Nut—hex, 1/4"-20 | 8 |
| 17 | 9580 | Screw—hex hd., 1/4-20 x 3/4" | 2 |
| 18 | 9701 | Screw—round-head, 1/4-20 x 3/4" .. | 6 |
| 19 | 9910 | Lockwasher—spring lock, 1/4" | 8 |

HILLER/FURROWER ATTACHMENT(Figure 14)



| REF No. | PART No. | DESCRIPTION | QTY. |
|---------|----------|---|------|
| --- | 2638 | Hiller/Furrower—complete (incl. Ref. No.'s 1 through 12). Owner must bolt blade to mounting bracket and wings to blade. Instructions included | 1 |
| 1 | 2735 | Furrower—blade only..... | 1 |
| 2 | 9765 | Carriage Bolt—5/16-18 x 3/4" | 4 |
| 3 | 9919 | Star Washer—ext. tooth, 5/16"..... | 4 |
| 4 | 9902 | Washer—plain, 5/16" S.A.E..... | 4 |
| 5 | 9824 | Wing Nut—5/16"-18..... | 4 |

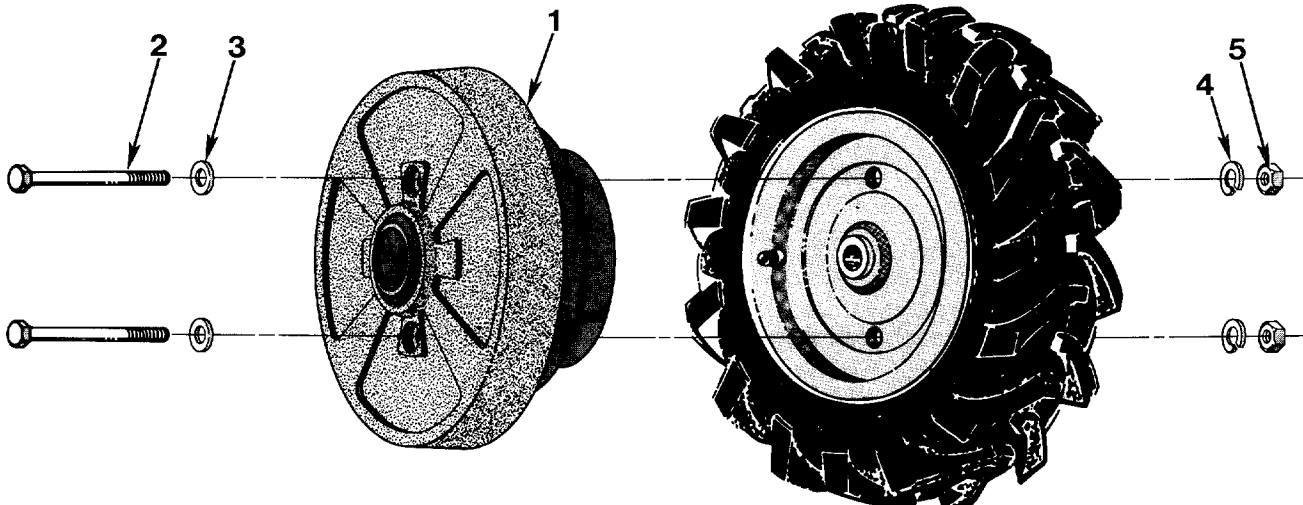
| REF No. | PART No. | DESCRIPTION | QTY. |
|---------|----------|---|------|
| 6 | 2736-01 | Hiller Wing—left..... | 1 |
| 7 | 2736-02 | Hiller Wing—right | 1 |
| 8 | 2636 | Bracket—blade mounting..... | 1 |
| 9 | 9725 | Carriage Bolt—blade mounting, 3/8-16 x 1-1/2" | 2 |
| 10 | 9913 | Lockwasher—spring lock, 3/8" plated | 2 |
| 11 | 9802 | Nut—hex, 3/8"-16, plated..... | 2 |
| 12 | 9318 | Pin—clinch..... | 1 |

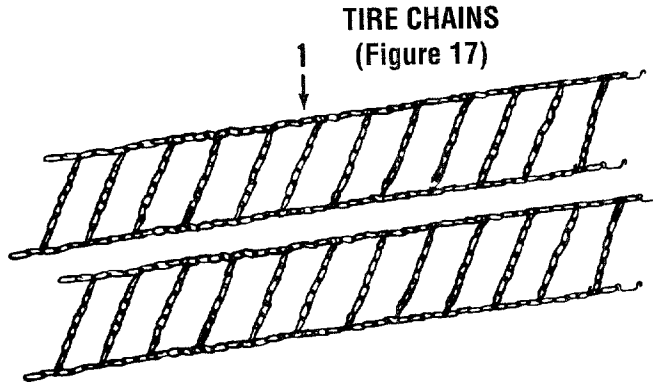


| REF No. | PART No. | DESCRIPTION | QTY. |
|---|----------|--|------|
| TOW HITCH ATTACHMENT (Figure 15) | | | |
| ---- | 2004 | Tow Hitch Attachment—complete (incl. Ref. No.'s 1 through 4).... | 1 |
| 1 | 2287 | Hitch—mounting plate (incl. Ref. No. 3)..... | 1 |
| 2 | 9363 | Pin—hitch..... | 1 |
| 3 | 2288 | Decal—warning instructions..... | 1 |
| 4 | 2006 | Dust Caps—2 protective covers.... | 1 |

| REF No. | PART No. | DESCRIPTION | QTY. |
|----------------------------------|----------|---|------|
| WHEEL WEIGHTS (Figure 16) | | | |
| 1 | 2382 | Shell—wheel weight..... | 2 |
| 2 | 9661 | Bolt—hex hd., 3/8-16 x 6"..... | 4 |
| 3 | 9904 | Washer—flat, 3/8"..... | 4 |
| 4 | 9913 | Lockwasher—spring, 3/8"..... | 4 |
| 5 | 9802 | Nut—hex, 3/8"-16..... | 4 |
| ---- | 10185 | Wheel Weight Kit—complete, incl. Ref. No. 1 through 5). Instructions included..... | 1 |

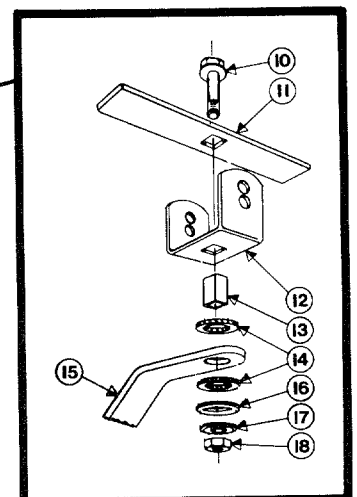
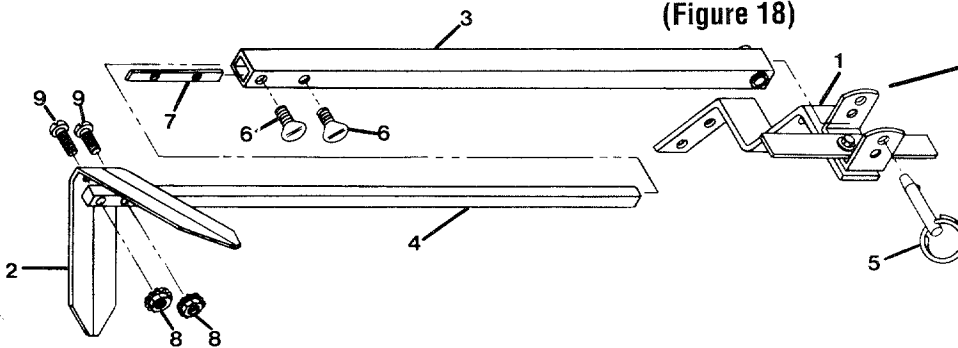
WHEEL WEIGHTS (Figure 16)





| REF No. | PART No. | DESCRIPTION | QTY. | REF No. | PART No. | DESCRIPTION | QTY. |
|---|----------|---|------|---|----------|---|------|
| TIRE CHAINS (Figure 17) Chains—tire, heavy-duty steel. For standard. tread or bar tread tires. Two chains in a set..... 1 | | | | 9 | 9721 | Screw—round hd., #10-24 x 1 (incl. in hwd. pkg. #1837)..... | 2 |
| 1 | 9146 | | 1 | --- | 1837 | Hardware Pkg—incl. one each Ref. No. , and No. 7, and two each Ref. No.'s 6, 8 and 9..... | 1 |
| ROW MARKER ATTACHMENT Part #1832 (Figure 18) (Complete - attaches to #1317 Furrower Attachment) | | | | --- | 1850 | Row Marker & Hiller/Furrower Attachment Combination—complete Incl. #2638 Hiller/Furrower & #1832 Row Marker | 1 |
| 1 | 1569 | Main Support & Yoke Assy—complete (incl. Ref. No. 10 through 18)..... | 1 | ROW MARKER MAIN SUPPORT & YOKE ASSEMBLY (Part #1569) | | | |
| 2 | 1594 | Marker blade—blade only | 1 | 10 | 9784 | Bolt—flanged, self-locking, 3/8-16 x 1-1/2" | 1 |
| 3 | 1597 | Marker arm—main arm..... | 1 | 11 | 1593 | Stop Bar | 1 |
| 4 | 1570 | Marker arm—extension arm with stop pin..... | 1 | 12 | 1592 | Yoke | 1 |
| 5 | 9347 | Hitch Pin—incl. in #1837 hardware package..... | 1 | 13 | 1591 | Tube Key—square | 1 |
| 6 | 9786 | Thumbscrew—1/4-20 x 1/2", incl. in #1837 hardware package | 2 | 14 | 1590 | Washer—friction | 1 |
| 7 | 1596 | Nut Bar—incl. in #1837 hardware package..... | 1 | 15 | 1588 | Main Support..... | 1 |
| 8 | 9828 | Nut—hex, #10-24 with star washers (incl. in hardware pkg. #1837). | 2 | 16 | 1589 | Washer—square hole..... | 1 |
| | | | | 17 | 9925 | Washer—disc spring..... | 1 |
| | | | | 18 | 9802 | Nut—hex, 3/8"-16 | 1 |

ROW MARKER ATTACHMENT (Figure 18)



Main Support/Yoke Assembly Part #1569



For customer assistance, contact your nearest authorized dealer or:

GARDEN WAY INCORPORATED, 102nd Street & 9th Ave., Troy, New York 12180
For Technical Service, call Toll-Free: 1-800-833-6990 – For Parts, call Toll-Free: 1-800-648-6776

In Canada: **GARDEN WAY INCORPORATED**, 320 Van Sickle Road, Unit 12, St. Catharines, Ontario, L2R 6P7
Call Toll-Free: 1-800-225-3585