

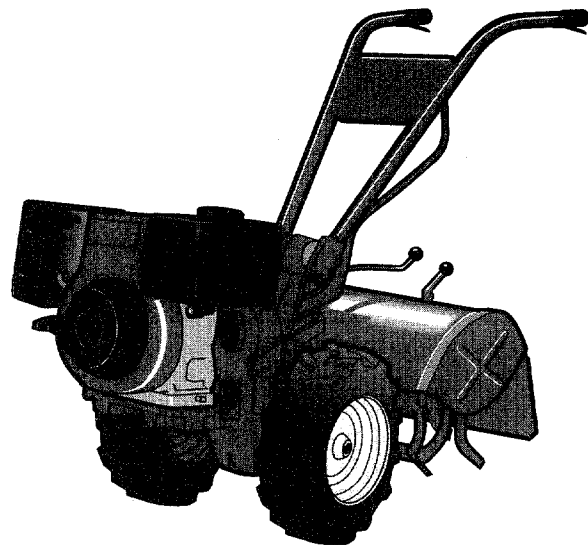


Parts Catalog

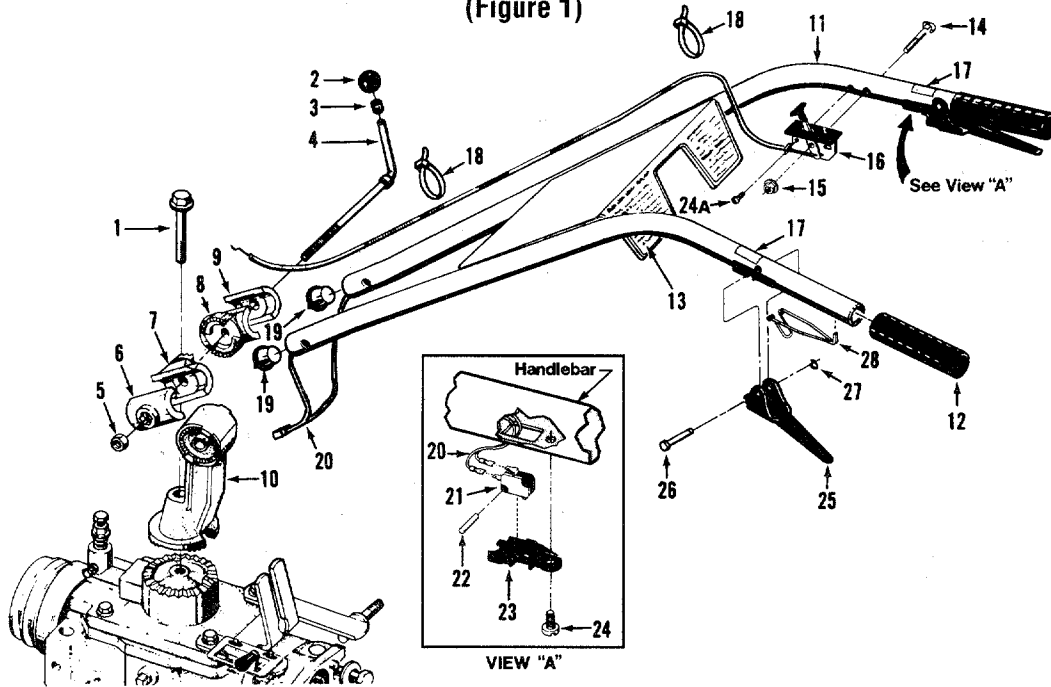
PTO HORSE Tiller

Models

| | |
|--------|--------|
| 12068 | 12088 |
| 12069 | 12088C |
| 12070 | 12089 |
| 12071 | 12089C |
| 12087 | 12090 |
| 12087C | 12090C |
| | 12166 |



HANDLEBAR ASSEMBLY
(Figure 1)

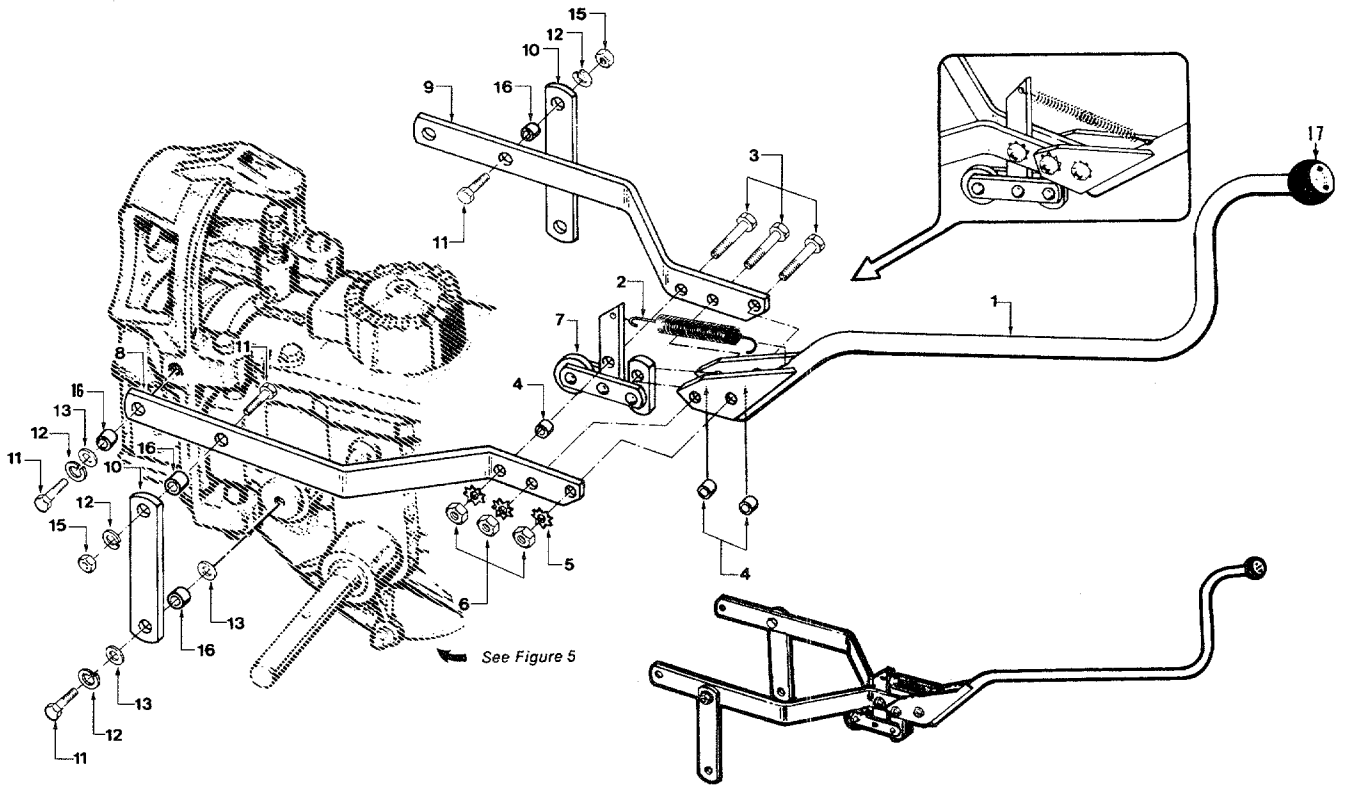


| REF No. | PART No. | DESCRIPTION | QTY. | REF No. | PART No. | DESCRIPTION | QTY. |
|---------|------------|--|------|---------|----------|--|------|
| 1 | 9548 | Bolt-Hex hd., flanged self-locking Grade 5, 1/2-13 x 3-1/2" | 1 | 12 | 9125 | Grip-handlebars | 2 |
| 2 | 9119 | Knob-handlebar height adjustment (Incl. Ref. No. 3) | 1 | 13 | 2715 | Decal-operator control panel..... | 1 |
| 3 | 9120 | Ring-retaining (tolerance ring)..... | 1 | 14 | 9547 | Bolt-curved hd, GR5, 1/4-20 x 2" .. | 1 |
| 4 | 1881 | Stud-handlebar height adjustment (Incl. Ref. No.'s 2, 3 and 5) | 1 | 15 | 1186389 | Nut-hex, flanged self-locking, whiz lock, 1/4"-20..... | 1 |
| 5 | 1186233 | Nut-hex, 1/2"-13..... | 1 | 16 | 9444 | Throttle Control & Cable-7HP Briggs & Stratton engine only (also see Ref. No. 24A) | 1 |
| 6 | 1900854010 | Clamp-left, handlebar height adjustment, see (A)..... | 1 | 16A | 1909286 | Throttle Control & Cable-8HP Briggs & Stratton engine only (also see Ref. No. 24A) | 1 |
| | 1900854021 | Clamp-left, handlebar height adjustment, see (B)..... | 1 | 16B | 9650 | Throttle Control & Cable-8HP Kohler engine only | 1 |
| 7 | 1900856010 | Ratchet-left, handlebar height adjustment, see (A)..... | 1 | 17 | 1900763 | Decal-Forward Interlock Lever..... | 2 |
| | 1900856021 | Ratchet-left, handlebar height adjustment, see (B)..... | 1 | 18 | 9202 | Tie-plastic | 2 |
| 8 | 1900857010 | Ratchet-right, handlebar height adjustment, see (A)..... | 1 | 19 | 9219 | Plug-wire harness retainer..... | 2 |
| | 1900857021 | Ratchet-right, handlebar height adjustment, see (B)..... | 1 | 20 | 2551 | Handlebar Wire Harness Assy-forward interlock system | 1 |
| 9 | 1900855010 | Clamp-right, handlebar height adjustment, see (A)..... | 1 | 21 | 9250 | Handlebar Switch-forward interlock system..... | 2 |
| | 1900855021 | Clamp-right, handlebar height adjustment, see (B)..... | 1 | 22 | 9385 | Lock Pin-handlebar switch..... | 2 |
| 10 | 1900858010 | Base-handlebar mounting, see (A) | 1 | 23 | 2543 | Switch Housing-handlebar switch. | 2 |
| | 1900858021 | Base-handlebar mounting, see (B) | 1 | 24 | 90039 | Screw-pan head, 10-24 x 1/2", thread-forming | 2 |
| 11 | 2704 | Handlebars-(Includes two of each Ref. Nos. 12, 17 and 28 and one Ref. No. 13), see (A) | 1 | 24A | 9733 | Screw-phillips head, 10-32 x 1/2", thread-forming | 1 |
| | 1916460 | Handlebars-(Includes two of each Ref. Nos. 12, 17 and 28 and one Ref. No. 13), see (B) | 1 | 25 | 2546 | Lever-forward interlock..... | 2 |
| | | | | 26 | 9199 | Pivot Pin-forward interlock lever... | 2 |
| | | | | 27 | 9514 | Retaining Ring-klip ring-forward interlock lever..... | 2 |
| | | | | 28 | 9387 | Return Spring-fwd interlock lever. | 2 |

(A) - For all models except 12166

(B) - For Model 12166 only

WHEELS/TINES/PTO DRIVE LEVER & YOKE ASSEMBLY
(Figure 2)

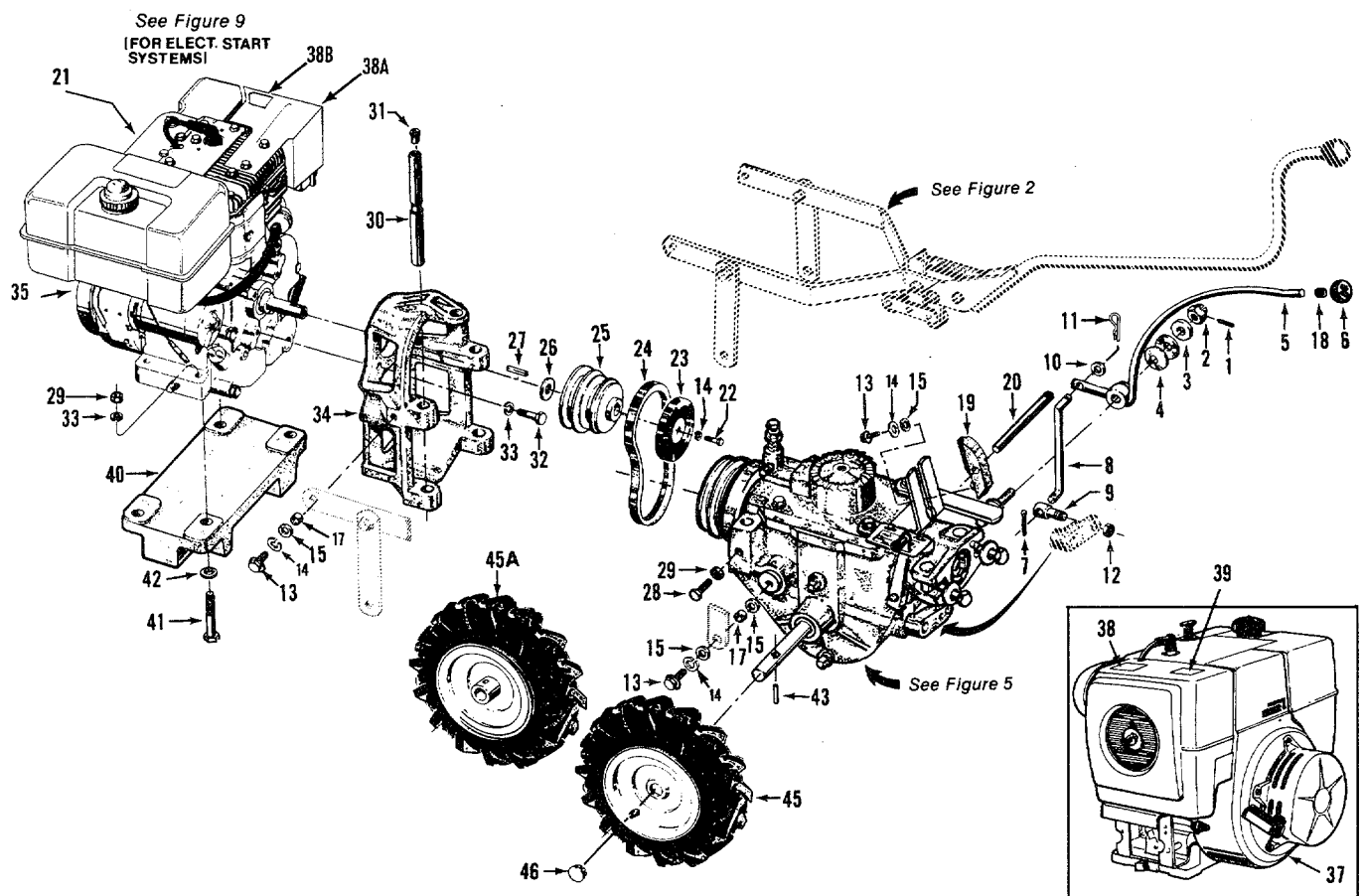


| REF No. | PART No. | DESCRIPTION | QTY. |
|---------|------------|---|------|
| 1 | 1916264 | Lever—Wheels/Tines/PTO Drive (Incl. knob w/decal) | 1 |
| 2 | 1908156 | Spring—clutch pawl..... | 1 |
| 3 | 1100799 | Bolt—hex hd., 5/16-18 x 1-1/2"..... | 3 |
| 4 | 2447 | Bushing—3/8"..... | 3 |
| 5 | 1177548 | Lockwasher—external tooth, 5/16" | 3 |
| 6 | 1186230 | Nut—hex, 5/16"-18..... | 3 |
| 7 | 2232 | Roller Assembly | 1 |
| 8 | 1900468010 | Yoke—left side, see (A) | 1 |
| | 1900468021 | Yoke—left side, see (B) | 1 |
| 9 | 1900469010 | Yoke—right side, see (A)..... | 1 |
| | 1900469021 | Yoke—right side, see (B)..... | 1 |
| 10 | 1900860010 | Link—yoke pivot, left & right, 6-7/8" long, see (A) | 2 |

| REF No. | PART No. | DESCRIPTION | QTY. |
|---------|------------|---|------|
| | 1900860021 | Link, yoke pivot, left and right 6-7/8" long, see (B) | 2 |
| 11 | 1100046 | Bolt—hex hd., 3/8-16 x 1" | 6 |
| 12 | 1100243 | Lockwasher—spring lock, 3/8" | 6 |
| 13 | 9904 | Washer—flat, 3/8", S.A.E..... | 6 |
| 14 | ---- | This Ref. No. not used | |
| 15 | 1186231 | Nut—hex, 3/8"-16..... | 2 |
| 16 | 1113-1 | Bushing—spacer, 19/64" (.300") | 6 |
| 17 | ---- | Knob—not avail. separately. See Ref No. 1 | ... |

(A) – For all models except 12166
(B) – For Model 12166 only

WHEEL SPEED LEVER, BELT DRIVE SYSTEM, ENGINES, WHEELS (Figure 3)



| REF No. | PART No. | DESCRIPTION | QTY. | REF No. | PART No. | DESCRIPTION | QTY. |
|---------------------------------|------------|--|------|------------------------------------|------------|--|------|
| WHEEL SPEED LEVER | | | | 33 | 1100242 | Lockwasher-spring lock, 5/16" | 6 |
| 1 | 9362 | Pin-spring, 1/8" | 1 | 34 | 2565 | Mount- engine to tiller, see (A) | 1 |
| 2 | 9838 | Nut-castle (slotted), 1/2"-20 | 1 | | 1900726021 | Mount- engine to tiller, see (B) | 1 |
| 3 | 9934 | Washer-shoulder, 1/2" | 1 | 35 | * | 7HP Briggs & Stratton Engine- Recoil or electric start. (Electric start requires key switch starting system.) | 1 |
| 4 | 9932 | Washer-disc spring | 2 | | | | |
| 5 | 1916266 | Lever-wheel speed shift (incl. Ref No.'s 6 and 18) | 1 | 35 | * | 8HP Briggs & Stratton Engine- Recoil or electric start. (Electric start requires key switch starting system.) | 1 |
| 6 | 1902240 | Knob-wheel speed shift lever | 1 | | | | |
| 7 | 9317 | Pin-cotter, 3/32" x 1" | 1 | 37 | * | 8HP Kohler Magnum Engine- recoil start. | 1 |
| 8 | 1231 | Rod-connecting rod, wheel speed shift lever | 1 | 37 | * | 8HP Kohler Magnum Engine- electric start. Requires key switch starting system. | 1 |
| 9 | 1033 | Swivel-connecting rod | 1 | 38A | 1909064001 | Muffler Guard | 1 |
| 10 | 9902 | Washer-flat, 5/16", S.A.E. | 1 | 38B | 1904565 | Decal-hot surface safety warning.... | 2 |
| 11 | 9338 | Pin-hair cotter | 1 | 39 | 1900767 | Decal-engine stabilization, for Kohler engines | 1 |
| 12 | 1110107 | Locknut-hex hd., 5/16"-18 | 1 | 40 | 2522 | Engine Weight-for Briggs & Stratton engines only | 1 |
| 13 | 1100046 | Bolt-flanged hex hd., 3/8-16 x 1" | 5 | 41 | 1111607 | Bolt-hex hd., 5/16-18 x 2-1/4", Grade 5 | 2 |
| 14 | 1100243 | Lockwasher-spring lock, 3/8" | 5 | 42 | 20553 | Spacer-zinc plated | 2 |
| 15 | 9904 | Washer-flat, 3/8", S.A.E. | 7 | WHEEL & TIRE ASSEMBLIES | | | |
| 16 | ---- | This Ref. No. not used | | 43 | 9322 | Pin- roll, 5/16" x 1-1/2" | 2 |
| 17 | 1113-1 | Bushing-spacer, 19/64" (.300"lg.) | 4 | 45 | 2709-01 | **Wheel & Tire Assy- bar tread, left side, 4:80 x 8" tubeless tire with valve stem, on one-piece steel wheel. | 1 |
| 18 | 9120 | Ring-retaining (tolerance ring) | 1 | 45A | 2709-02 | **Wheel & Tire Assy-bar tread, right side. Same as above but for right side of tiller | 1 |
| BELT DRIVE SYSTEM | | | | 46 | 1902020 | Cap-wheel hub | 2 |
| 19 | 1916268001 | Block- belt adjustment, 3-7/8" | 1 | | | | |
| 20 | 2100 | Rod- belt adjust., 7" with measuring gauge | 1 | | | | |
| 21 | 1900766 | Decal- engine stabilization, for Briggs & Stratton engines | | | | | |
| 22 | 1100011 | Bolt-hex hd., 3/8-24 x 1-1/2" | 1 | | | | |
| 23 | 1919 | Disc-reverse, (incl. Ref. No. 19) | 1 | | | | |
| 24 | 9245 | Belt-forward drive (no substitute due to extra strength required) | 1 | | | | |
| 25 | 1483 | Pulley-engine power take off | 1 | | | | |
| 26 | 1138-1 | Shim-engine pulley, 1/16" As Req'd | | | | | |
| 26 | 1138-2 | Shim-as above, 1/32" As Req'd | | | | | |
| 27 | 9303 | Key-engine pulley, 3/16"sq. x 2-1/2" 1 | | | | | |
| ENGINES AND ENGINE MOUNT | | | | | | | |
| 28 | 1100045 | Bolt-hex hd., 5/16-18 x 1", Grade 5. | 2 | | | | |
| 29 | 1186230 | Nut-hex, 5/16"-18 | 4 | | | | |
| 30 | 1034 | Bar-engine mounting | 2 | | | | |
| 31 | 9147 | Plug-thread protector, red plastic | 2 | | | | |
| 32 | 9572 | Bolt-hex hd., 5/16-24 x 1-1/8" | 4 | | | | |

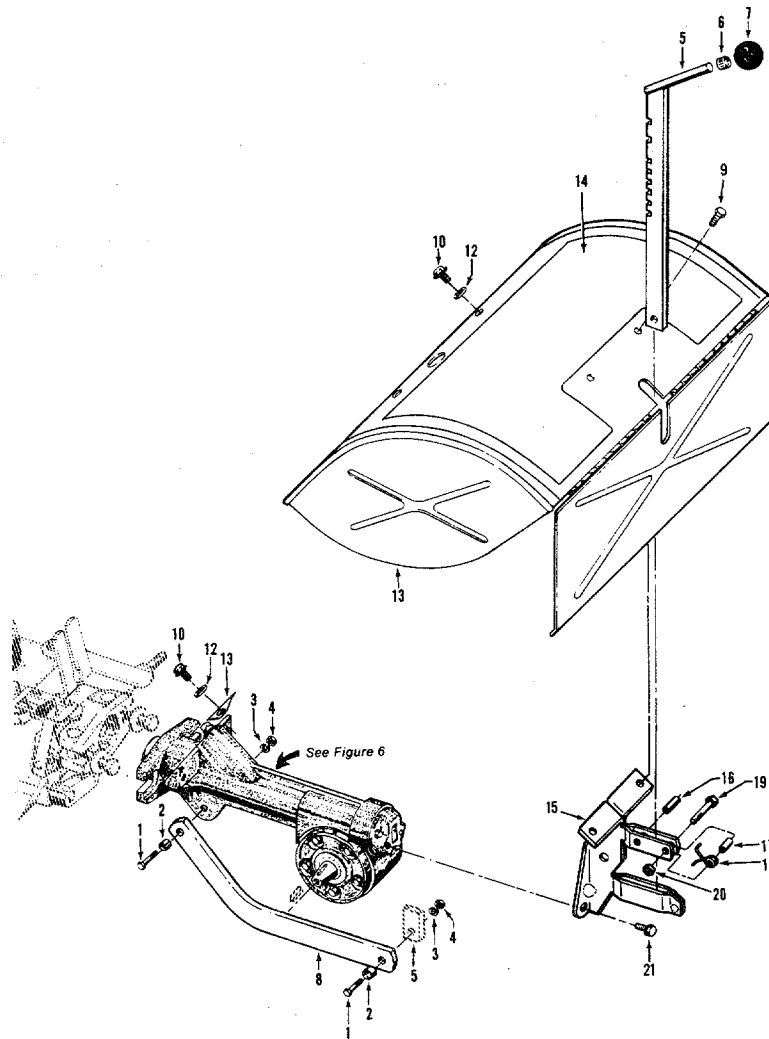
(A) - For all models except 12166

(B) - For Model 12166 only

* Contact an authorized dealer or the Factory for replacement engine information.
Contact an authorized engine dealer for engine service or parts. Refer to the engine name-plate for engine model and type information.

** For correct traction and directional control, Bar Tread Tires should be mounted on the tiller so the closed end of the "V" in the tire tread on top of the tire faces forward.

DEPTH REGULATOR & TINE HOOD ASSEMBLIES
(Figure 4)

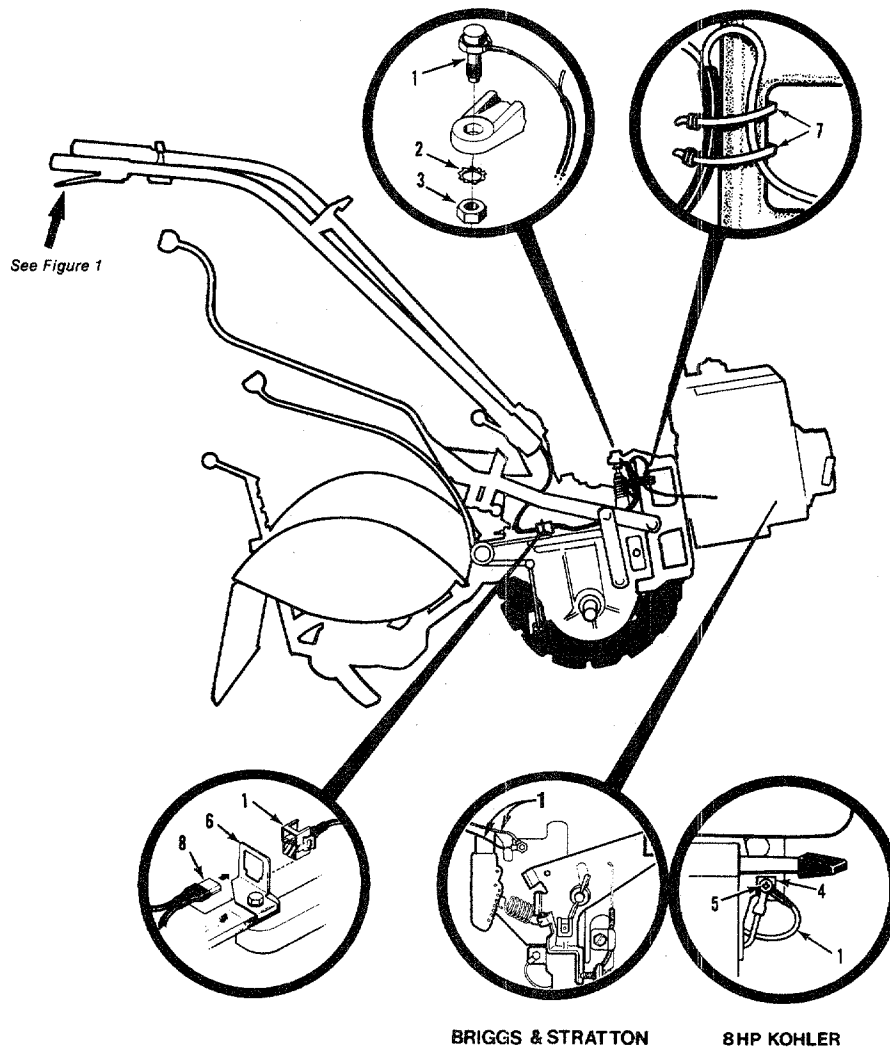


| REF No. | PART No. | DESCRIPTION | QTY. | REF No. | PART No. | DESCRIPTION | QTY. |
|---------|------------|--|------|---------|----------|--|------|
| 1 | 1100043 | Bolt-hex hd., 3/8-16 x 1-1/4" | 2 | 11 | ---- | This Ref. No. not used | |
| 2 | 1113-1 | Bushing-19/64" (.300" lg.) | 2 | 12 | 9929 | Washer-flat, 5/16" | 2 |
| 3 | 1100243 | Lockwasher-spring lock, 3/8" | 2 | 13 | 1904563 | Hood-(incl. Ref. No. 14), see (A) .. | 1 |
| 4 | 1186231 | Nut-hex, 3/8"-16 | 2 | | 1916461 | Hood-(incl. Ref. No. 14), see (B) .. | 1 |
| 5 | 1916186001 | Bar-depth regulator (incl. Ref. No.'s 6 and 7) | 1 | 14 | 1904543 | Decal-hood, operation, see (A) | 1 |
| 6 | 9120 | Ring-retaining | 1 | | 1916456 | Decal-hood, operation, see (B) | 1 |
| 7 | 9119 | Knob-depth regulator (incl. Ref. No. 6) | 1 | 15 | 1916184 | Bracket-(incl. Ref. No. 16) | 1 |
| 8 | 1900867001 | Bar-drag, depth regulator | 1 | 16 | 9308 | Pin-roll (spiral) 1/4" x 1" | 1 |
| 9 | 9552 | Screw-thread-forming, 1/4-20 x 1/2" | 2 | 17 | 9534 | Spacer | 1 |
| 10 | 1186329 | Bolt-flanged hex hd., 5/16-18 x 3/4" | 2 | 18 | 9384 | Spring | 1 |
| | | | | 19 | 1100069 | Bolt-hex hd., 1/4-20x1" | 1 |
| | | | | 20 | 9811 | Locknut-1/4"-20 | 1 |
| | | | | 21 | 90038 | Bolt-flanged hex hd., 5/16-18 x 5/8" | 2 |

(A) - For all models except 12166

(B) - For Model 12166 only

**FORWARD INTERLOCK SYSTEM
(Figure 5)**



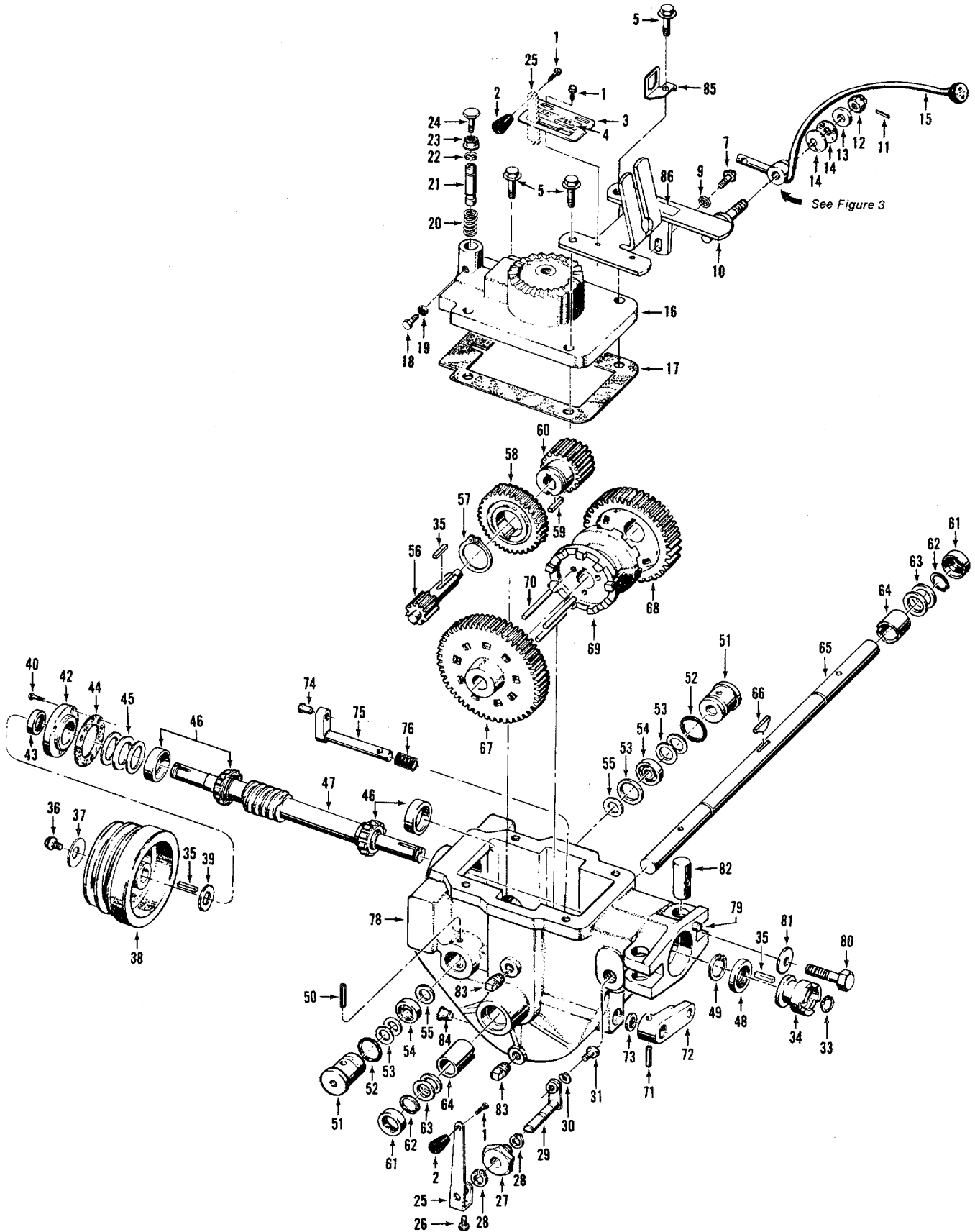
BRIGGS & STRATTON

8HP KOHLER

| REF No. | PART No. | DESCRIPTION | QTY. | REF No. | PART No. | DESCRIPTION | QTY. |
|---------|----------|---|------|---------|----------|---|------|
| 1 | 2552 | Engine Wire Harness Assy—forward interlock system (Incl. one red and one black wire, plug connector, neutral switch and PVC tubing. Parts not available separately..... | 1 | 4 | ET69-12 | Grommet—for Kohler engine | 1 |
| 2 | 9971 | Lockwasher—external tooth, 7/16" | 1 | 5 | ET42-447 | Screw—#8 Phillips Head, for Kohler engine | 1 |
| 3 | 1186246 | Nut—hex, 7/16"-20 | 1 | 6 | 9205 | Clip—for plug connector | 1 |
| | | | | 7 | 9202 | Tie—plastic | 1 |
| | | | | 8 | 2551 | Handlebar Wire Harness Assy—(see page 2, Ref. No. 20) | 1 |

Note: Ref. No. 4 may also be obtained at a Tecumseh Engine Authorized Service Center by ordering part no. 69-12. Ref. No. 5 may also be obtained at a Tecumseh Engine Authorized Service Center by ordering part no. 42-326.

POWER UNIT TRANSMISSION ASSEMBLIES (Figure 6)



| REF No. | PART No. | DESCRIPTION | QTY. |
|--|------------|---|------|
| TRANSMISSION COVER & SHIFT LEVER BRACKET ASSEMBLIES | | | |
| 1 | 1186299 | Bolt-hex hd., #10-32 x 3/8", self-locking flange..... | 3 |
| 2 | 9463 | Knob-tines/PTO clutch lever, tapered, plastic..... | 1 |
| 3 | 2263 | Detent Plate-tines/PTO clutch lever (incl. Ref. No. 4)..... | 1 |
| 4 | 1900758 | Decal-operating instructions, detent plate..... | 1 |
| 5 | 1186347 | Bolt-flanged hex hd., 3/8-16 x 1-1/2"..... | 4 |
| 6 | ---- | This Ref. No. not used..... | |
| 7 | 1186329 | Bolt-flanged hex hd., 5/16-18 x 3/4", Grade 5..... | 1 |
| 8 | ---- | This Ref. No. not used..... | |
| 9 | 9902 | Washer-flat, 5/16", S.A.E..... | 1 |
| 10 | 1900870010 | Bracket-shift levers (incl. Ref. No. 86), see (A)..... | 1 |
| | 1900870021 | Bracket-shift levers (incl. Ref. No. 86), see (B)..... | 1 |
| 11 | 9362 | Pin-spring, 1/8"..... | 1 |
| 12 | 9838 | Nut-castle (slotted), 1/2"-20, call Tech Service for tightening instructions..... | 1 |
| 13 | 9934 | Washer-shoulder, 1/2"..... | 1 |
| 14 | 9932 | Washer-disc spring..... | 2 |
| 15 | ---- | Lever-wheel speed shift (see page 4, Ref. No. 5 for part number) ... | 1 |
| 16 | 1900869001 | Cover-power unit transmission.... | 1 |
| 17 | 1123 | Gasket-transmission cover..... | 1 |
| 18 | 1100045 | Bolt-hex hd., 5/16-18 x 1", Grade 5, (remove with care)..... | 1 |
| 19 | 1186230 | Nut-hex, 5/16"-18..... | 1 |
| 20 | 1901439 | Spring-neutral plunger (remove with care)..... | 1 |
| 21 | 1035 | Plunger-neutral (remove with care) (incl. Ref. No. 22)..... | 1 |
| 22 | 1901440 | Clip Ring-retains neutral plunger.. | 1 |
| 23 | 1186393 | Nut-hex, flange locknut, 3/8"-16... | 1 |
| 24 | 1902004 | Bolt-hex hd., 3/8-16x1-1/2", threaded full length..... | 1 |
| TINES/PTO CLUTCH LEVER ASSEMBLY | | | |
| 25 | 1900878001 | Lever-eccentric, tines/PTO clutch. (also see Ref. No.'s 1, 2,3 and 4 listed above)..... | 1 |
| 26 | 1100804 | Bolt-hex hd., 1/4-20 x 1/2"..... | 1 |
| 27 | 2123 | Bushing-tines/PTO clutch lever eccentric shaft..... | 1 |

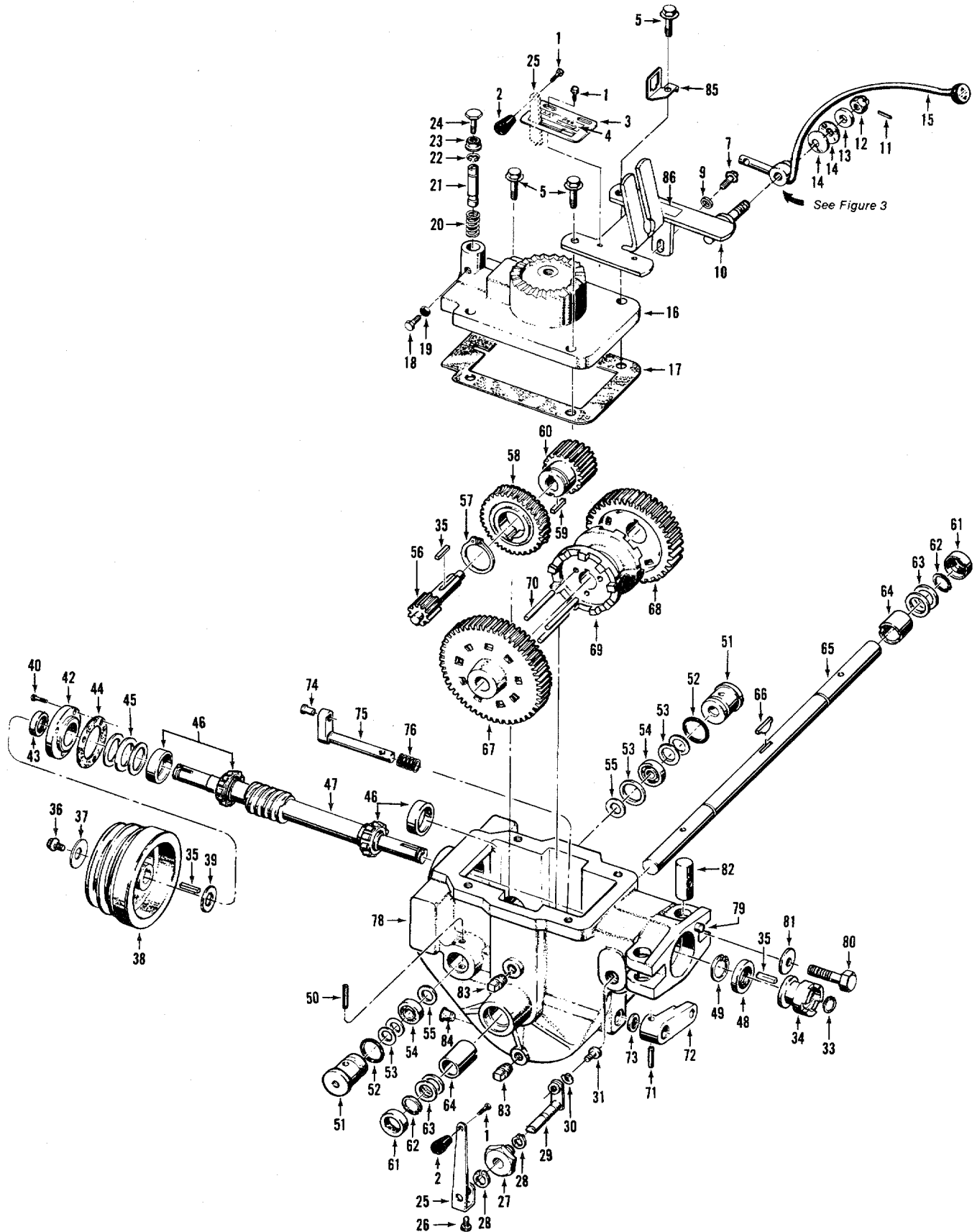
| REF No. | PART No. | DESCRIPTION | QTY. |
|------------------------------|------------|---|----------|
| 28 | 9516 | Retaining Ring-(snap ring), external..... | 2 |
| 29 | 2461 | Eccentric-shaft, tines/PTO clutch lever..... | 1 |
| 30 | 9911 | Lockwasher-hi-collar, 1/4"..... | 1 |
| 31 | 9672 | Screw-socket hd., 1/4-20 x 3/8" ... | 1 |
| DRIVE SHAFT ASSEMBLY | | | |
| 32 | ---- | This Ref. No. not used..... | |
| 33 | 9500 | Retaining Ring-external..... | 1 |
| 34 | 1909139 | Dog Clutch-power unit..... | 1 |
| 35 | 9301 | Key-3/16 sq. x 1"..... | 3 |
| 36 | 1100004 | Bolt-hex hd., 5/16-24 x 3/4", self-locking flange, Grade 5..... | 1 |
| 37 | 9944 | Washer-disc spring (concave)..... | 1 |
| 38 | 2107 | Pulley-transmission drive, cast iron | 1 |
| 39 | 50027 | Washer-flat, hardened shoulder 1-1/4"..... | 1 |
| 40 | 1186310 | Bolt-hex hd., 1/4-20 x 3/4", front bearing cap..... | 3 |
| 41 | ---- | This Ref. No. not used..... | |
| 42 | 1900879001 | Cap-front bearing..... | 1 |
| 43 | 85030 | Seal-oil, front bearing cap..... | 1 |
| 44 | 1124-2 | Gasket-front bearing cap..... | 1 |
| 45 | 1224-1 | Shim-front bearing cap, .010" thick..... | As Req'd |
| 45 | 1224-2 | Shim-as above, .030"..... | As Req'd |
| 45 | 1224-3 | Shim-as above, .005"..... | As Req'd |
| 45 | 1224-4 | Shim-as above, .062"..... | As Req'd |
| 46 | 1714 | Bearing & Cup-tapered cone roller bearing with cup (race). Cone and cup sold as set only..... | 2 |
| 47 | 11601 | Shaft-main drive, power unit. Incl. integral worm, plus two pressed-on cone roller bearings, two bearing cups, two shoulder washers..... | 1 |
| 48 | 9617 | Seal-oil, drive shaft, rear..... | 1 |
| 49 | 9517 | Retaining Ring-(snap ring), internal..... | 1 |
| PINION SHAFT ASSEMBLY | | | |
| 50 | 9309 | Pin-roll (spiro), 1/4 x 2"..... | 2 |
| 51 | 1060A | Plug-retaining, pinion bearing (incl. Ref. No. 52)..... | 2 |
| 52 | 9604 | O-Ring-retaining plug..... | 2 |
| 53 | 1132-1 | Shim-retaining plug, 1-1/64" inner dia., .033" thick (on right side only one #1132-1 shim is also used between bearing and washer, Ref. No.'s 54 & 55)..... | As Req'd |

(continued)

(A) - For all models except 12166

(B) - For Model 12166 only

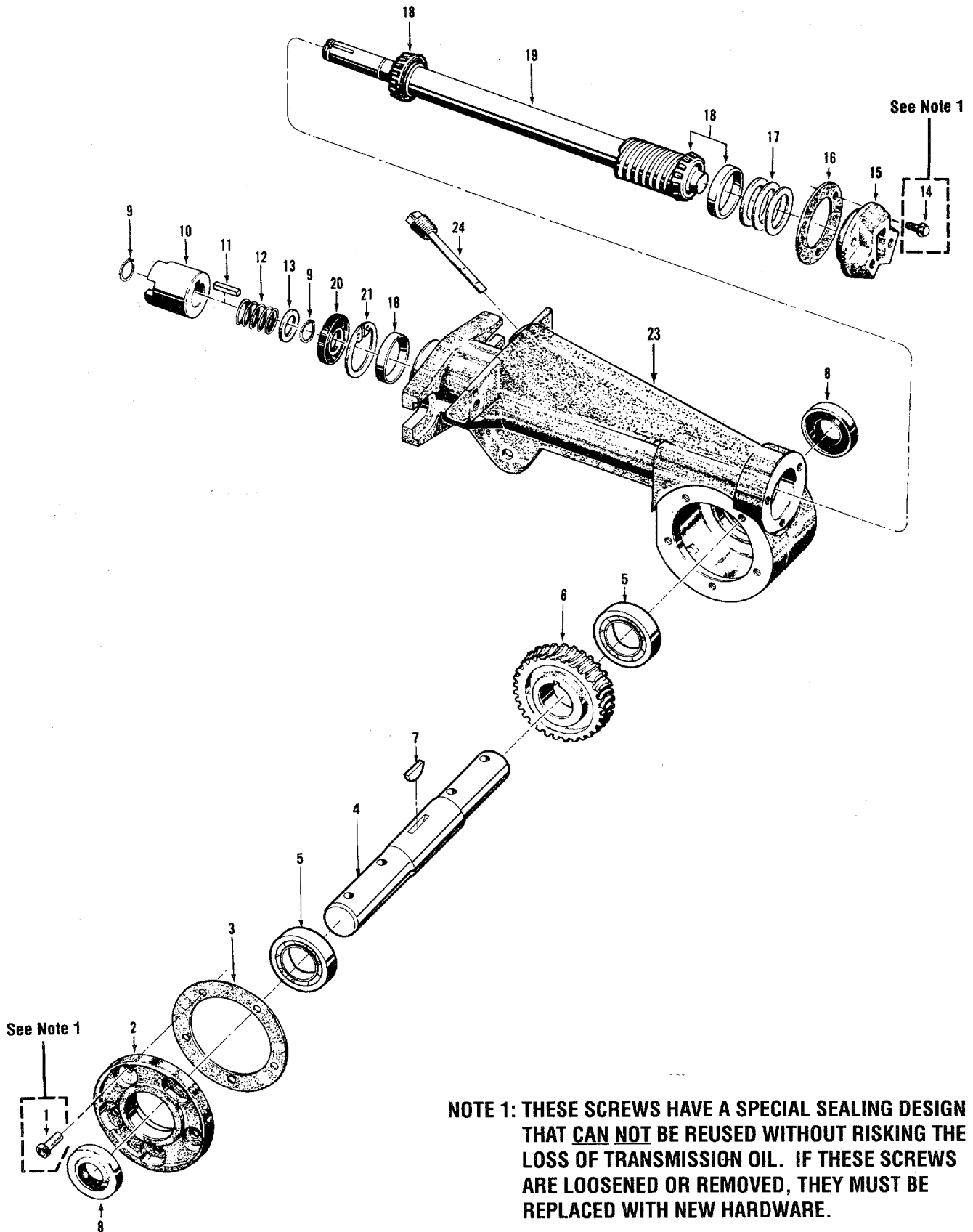
POWER UNIT TRANSMISSION ASSEMBLIES (Figure 6 Continued)



| REF No. | PART No. | DESCRIPTION | QTY. |
|--|----------|--|----------|
| PINION SHAFT ASSEMBLY (continued) | | | |
| 53 | 1132-2 | Shim—same as 1132-1, .062" thick | As Req'd |
| 53 | 1132-3 | Shim—same as 1132-1, .010" | As Req'd |
| 54 | 9404 | Bearing—ball, pinion shaft | 2 |
| 55 | 1126 | Washer—pinion shaft | 2 |
| 56 | 1222 | Stem Pinion—slow speed gear & shaft | 1 |
| 57 | 9502 | Ring—retaining, external | 1 |
| 58 | 2656 | Worm Gear—bronze, wheel drive | 1 |
| 59 | 9300 | Key—3/16" x 5/8" | 1 |
| 60 | 1233 | Gear—fast speed pinion | 1 |
| WHEEL SHAFT ASSEMBLY | | | |
| 61 | 9621 | Seal—oil, wheel shaft | 2 |
| 62 | 9511 | Retaining ring—external | 2 |
| 63 | 1166-1 | Shim—wheel shaft, 1-1/64" inner dia., .062" thick | As Req'd |
| 63 | 1166-2 | Shim—as above, .030" thick | As Req'd |
| 63 | 1166-3 | Shim—as above, .015" thick | As Req'd |
| 63 | 1166-4 | Shim—as above, .010" thick | As Req'd |
| 63 | 1166-5 | Shim—same as above, .005" thick | As Req'd |
| 64 | 1086 | Bushing—bronze, wheel shaft bearing | 2 |
| 65 | 1878 | Shaft—wheel, 15-5/8", (Incl. two of Ref. No. 62 and one Ref. No. 66) | 1 |
| 66 | 9357 | Key—Hi Pro, 1/4" x 1-3/4" | 1 |
| 67 | 1223 | Gear—slow speed, wheel drive | 1 |
| 68 | 1232 | Gear—fast speed, wheel drive | 1 |
| 69 | 1237 | Dog Clutch—wheel drive | 1 |
| 70 | 1112 | Pin—clutch guide, 1/4" diameter | 3 |

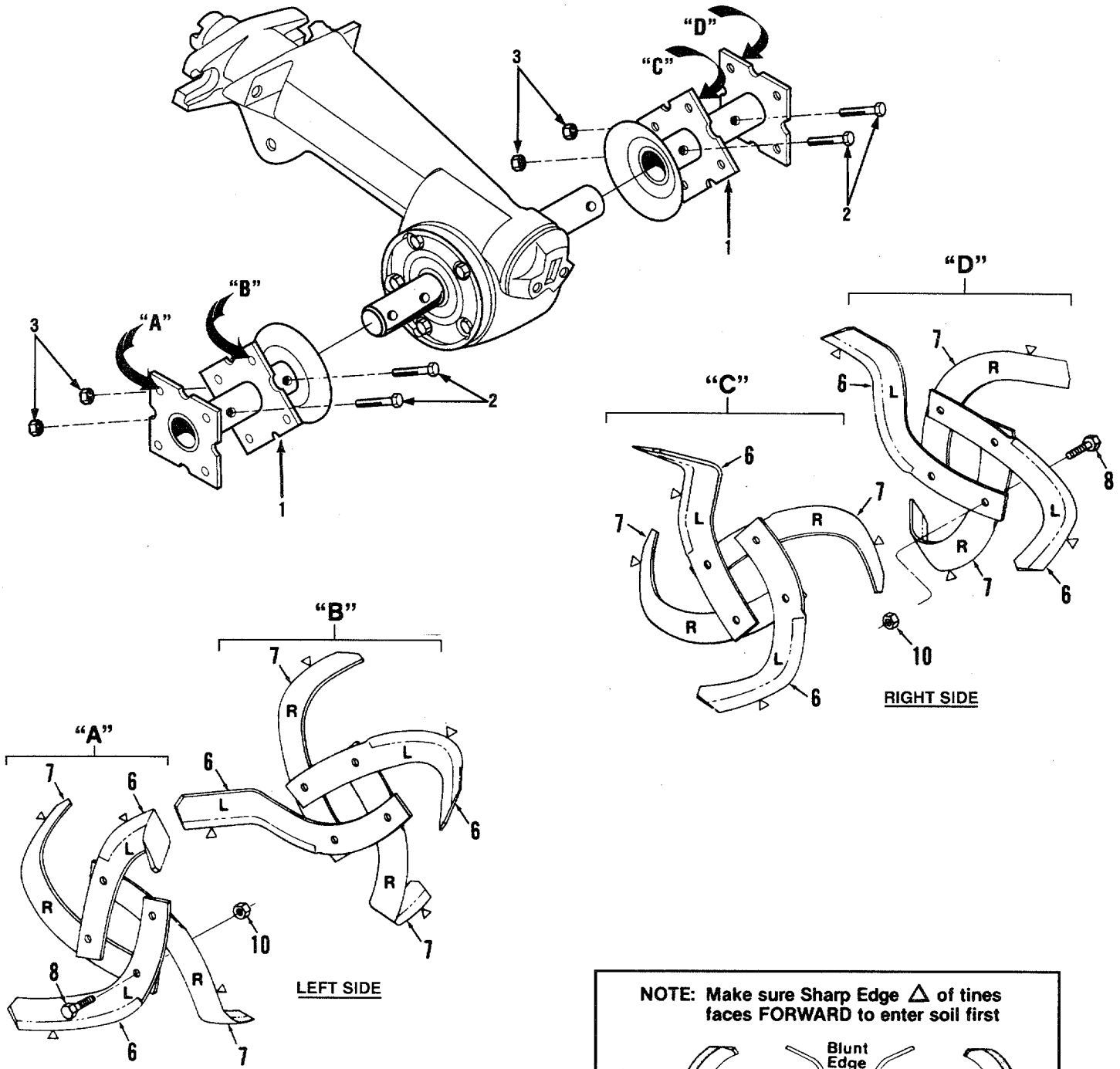
| REF No. | PART No. | DESCRIPTION | QTY. |
|---------------------------------|------------|---|------|
| ECCENTRIC SHAFT ASSEMBLY | | | |
| 71 | 9307 | Pin—roll, 3/16" x 1-1/4" (spirol) | 1 |
| 72 | 1900880001 | Lever—eccentric, wheel speed shifting | 1 |
| 73 | 9622 | Seal—oil, eccentric shaft | 1 |
| 74 | 1442 | Pin—eccentric shaft, wheel speed shifting | 1 |
| 75 | 2712 | Eccentric Shaft—wheel speed shifting | 1 |
| 76 | 1441 | Spring—eccentric shaft | 1 |
| 77 | --- | This Ref. No. not used | |
| TRANSMISSION HOUSING | | | |
| 78 | 2260 | Housing—power unit transmission (incl. Ref. No. 79). Empty housing without covers, shafts, gears, seals, etc. Call Factory before ordering) | 1 |
| 79 | 9359 | Pin—alignment | 1 |
| MISCELLANEOUS PARTS | | | |
| 80 | 9560 | Bolt—hex hd., 1/2-13 x 2" Grade 5 | 2 |
| 81 | 9928 | Washer—disc spring (concave), domed side faces bolt head | 2 |
| 82 | 2126 | Post—with threaded hole for Ref. No. 80 | 2 |
| 83 | 9726 | Plug—pipe, 1/4" | 2 |
| 84 | 9122 | Plug—red plastic, thread protector | 1 |
| 85 | 9205 | Clip—forward interlock system plug connector (see page 7) | 1 |
| 86 | 1900759 | Decal—forward interlock wire harness | 1 |

TILLER ATTACHMENT TRANSMISSION ASSEMBLIES (Figure 7)



| REF No. | PART No. | DESCRIPTION | QTY. | REF No. | PART No. | DESCRIPTION | QTY. |
|------------------------------------|------------|--|----------|--|----------|--|----------|
| 1 | 1915087 | Screw Kit, includes five (5) 1/4"-20 x 5/8" self-sealing screws | As Req'd | 17 | 1224-2 | Shim—same as above, .030" thick | As Req'd |
| 2 | 1916273001 | Cover—tiller housing | 1 | 17 | 1224-3 | Shim—same as above, .005" thick | As Req'd |
| 3 | 1129-1 | Gasket—tiller housing cover, .010" thick | As Req'd | 17 | 1224-4 | Shim—same as above, .062" thick | As Req'd |
| 3 | 1129-2 | Gasket—same as above, .030" thick | As Req'd | 18 | 1714 | Bearing & Cup—sold as set only | 2 |
| 4 | 1901972 | Shaft—tiller tine | 1 | 19 | 11602 | Shaft—main tiller drive (incl. an integral worm gear, plus two pressed-on cone roller bearings, two bearing cups (Ref. No. 18) and one shoulder washer | 1 |
| 5 | 97074 | Ball Bearing | 2 | 20 | 9617 | Seal—oil, drive shaft, front | 1 |
| 6 | 1901976 | Worm Gear—bronze, tiller tine shaft | 1 | 21 | 9517 | Retaining Ring—internal | 1 |
| 7 | 1104 | Key—tiller tine shaft, woodruff key | 1 | 22 | ---- | This Ref. No. not used | |
| 8 | 97073 | Seal—oil, tiller tine shaft | 2 | | | | |
| TILLER DRIVE SHAFT ASSEMBLY | | | | TRANSMISSION HOUSING AND DIPSTICK | | | |
| 9 | 9500 | Retaining Ring—external | 2 | 23 | 1916272 | Housing—tiller attachment (incl. pressed-on sleeve in front of housing). Empty housing without shafts, gears, seals, dipstick, etc. Call Factory before ordering | 1 |
| 10 | 1909138 | Dog Clutch—tiller drive shaft | 1 | 24 | 1909157 | Dipstick—oil, tiller attachment | 1 |
| 11 | 9301 | Key—3/16" x 1" | 1 | | | | |
| 12 | 2127 | Spring—dog clutch | 1 | | | | |
| 13 | 1138-1 | Shim—dog clutch, 1/16" (.62") thick | 1 | | | | |
| 14 | 1915089 | Screw Kit, includes three (3) 1/4"-20 x 7/8" self-sealing screws | As Req'd | | | | |
| 15 | 1900881001 | Cap—rear bearing | 1 | | | | |
| 16 | 1124-2 | Gasket—rear bearing cap | 1 | | | | |
| 17 | 1224-1 | Shim—front bearing cap, .010" thick | As Req'd | | | | |

BOLO TINE ASSEMBLIES
(Figure 8)



LEGEND:
 △ = Sharp Edge
 L = Left Bolo Tine
 R = Right Bolo Tine

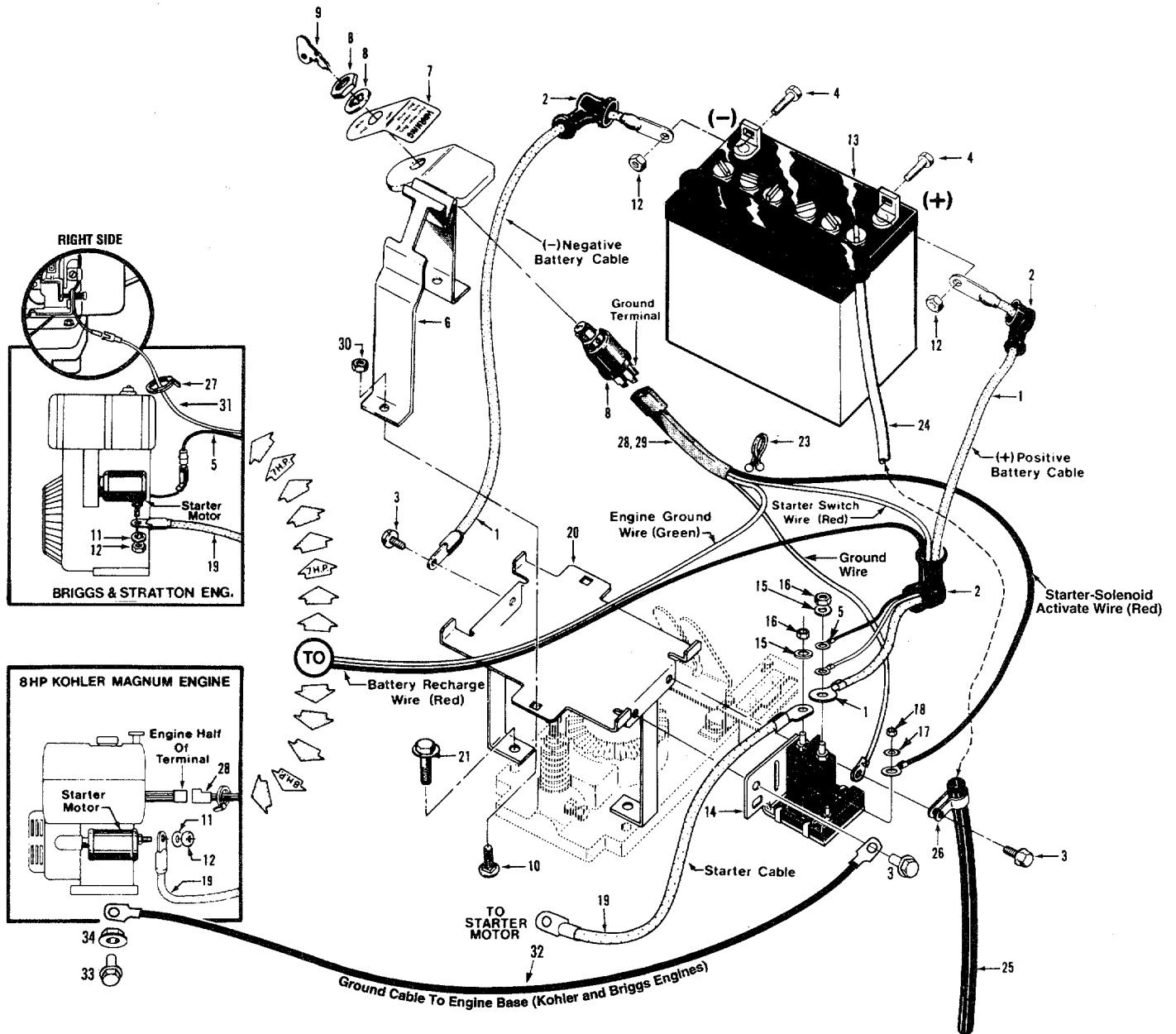
NOTE: Make sure Sharp Edge △ of tines faces FORWARD to enter soil first

LEFT HAND TINE RIGHT HAND TINE
 (As viewed with blunt edge facing you.)

| REF No. | PART No. | DESCRIPTION | QTY. |
|-------------------------------|------------|---|------|
| STANDARD TILLING TINES | | | |
| 1 | 1901975001 | Tine Holder—welded steel, fits left or right sides..... | 2 |
| 2 | 1982612 | Bolt—hex hd., 3/8-16 x 2" | 4 |
| 3 | ---- | This Ref. No. not used..... | |
| 4 | ---- | This Ref. No. not used..... | |
| 5 | ---- | This Ref. No. not used..... | |
| 6 | 1270-1A | Bolo Tine—single, left hand. Used on left and right side tine assy. Tine is stamped either "EL" or "AL". (Incl. two each of Ref. No.'s 8 and 10) | 8 |
| 7 | 1270-2A | Bolo Tine—single, right hand. Used on left and right side tine assy. Tine is stamped either "ER" or "AR". (Incl. same hardware as Ref. No. 6) | 8 |
| 8 | 1100046 | Bolt—hex hd., 3/8-16 x 1" | 16 |
| 9 | ---- | This Ref. No. not used..... | |
| 10 | 1733398 | Locknut—hex, 3/8"-16 | 20 |
| --- | 1901118 | Tine Replacement Kit—unassembled (Incl. eight each of Ref. No.'s 6, and 7, sixteen each of Ref. No.'s 8 and 10). Includes easy-to-follow installation instruction. DOES NOT INCLUDE tine holders, holder mounting hardware, or tine shaft keys..... | 1 |

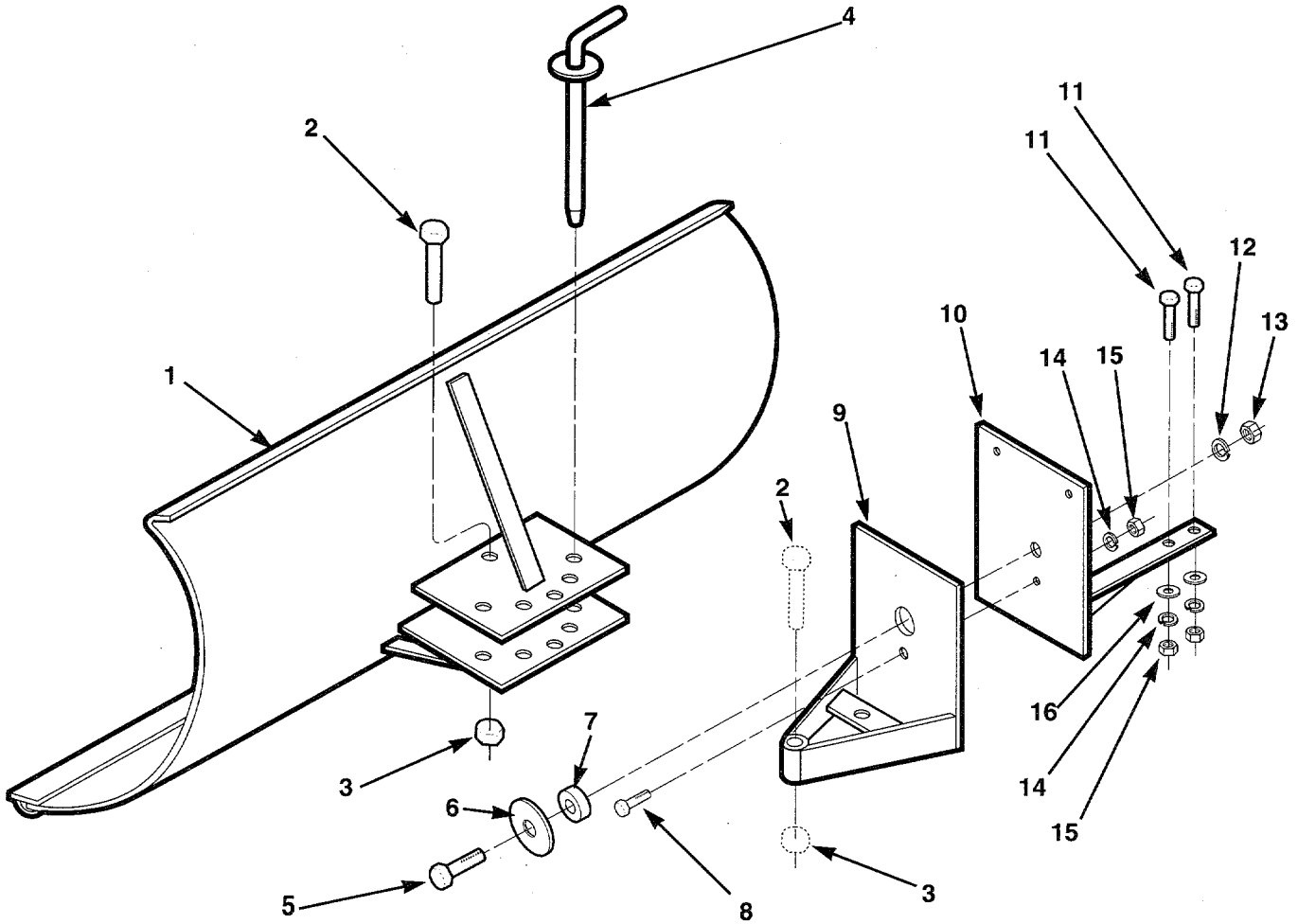
| REF No. | PART No. | DESCRIPTION | QTY. |
|--|----------|---|------|
| CUSTOM TILLING TINES | | | |
| Special hard-faced, high-chrome carbon alloy tines that are thicker than standard Bolo Tines. These tines better resist the abrasive action of rocky, gritty or sandy soil as compared to standard Bolo Tines, and are especially suited for custom tilling or market gardening. | | | |
| --- | 10802 | Custom Tilling Tine Kit—(Incl. eight each of Part #2475-1 and #2475-2 tines and sixteen each of Ref. No.'s 8 and 10 | 1 |
| --- | 2475-1 | Bolo Tine, Custom Tilling—single, left hand | 8 |
| --- | 2475-2 | Bolo Tine, Custom Tilling—single, right hand | 8 |

ELECTRIC START SYSTEM – 7HP & 8HP TILLERS
(Figure 9)



| REF No. | PART No. | DESCRIPTION | QTY. | REF No. | PART No. | DESCRIPTION | QTY. |
|---------|----------|--|------|---------|----------|--|------|
| 1 | 96515 | Cable-battery, positive and negative terminals..... | 2 | 22 | ---- | This Ref. No. not used..... | |
| 2 | 97020 | Boot-terminal insulating | 3 | 23 | 9265 | Tie-plastic, wire retaining..... | 1 |
| 3 | 9552 | Screw-self-threading, 1/4-20 x 1/2"..... | 3 | 24 | 9009 | Vent Tube-5/16" diameter | 1 |
| 4 | 1186309 | Bolt-hex hd., 1/4-20 x 5/8"..... | 2 | 25 | 1475 | Shield-vent tube, 1/2" diameter... | 1 |
| 5 | 1554 | Wire-recharge (red) for Briggs and Stratton engine (incl. terminal and eyelet) | 1 | 26 | 9224 | Clamp-vent tube shield | 1 |
| 6 | 1904564 | Battery Hold-down Clamp-with attached Key Switch Plate (incl. Ref. No. 7) | 1 | 27 | 9202 | Tie-plastic | 2 |
| 7 | 1904548 | Decal-ignition switch instruc..... | 1 | 28 | 1908118 | Wire Harness & Connecting Terminal Assy-for Briggs & Stratton engines(available as complete assembly only). Incl. wire assy., w/connector to large solenoid stud (red wire); wire assy. w/connector to small solenoid stud (red wire); wire assy. w/connector to solenoid grounding screw (red wire); wire assy w/connector to engine ground shut-off (green wire); plastic protector tube; wire harness; connector; wire terminal | 1 |
| 8 | 1908112 | Key Switch-includes two ignition keys (Ref. No. 9), one lockwasher, and one mounting nut (lock-washer and nut not available separately)..... | 1 | 29 | 1908117 | Wire Harness-for Kohler engine. Incl. two receptacles; three red wires (solenoid activate, battery recharge, and starter switch); two green (ground)(shutoff) wires; plastic harness tube..... | 1 |
| 9 | 96520 | Key-ignition, one pair..... | 1 | 30 | 1186389 | Locknut-hex, 1/4"-20 | 2 |
| 10 | 9566 | Bolt-carriage, 1/4-20 x 1-1/4" | 2 | 31 | 20421 | Wire-ground | 1 |
| 11 | 1100241 | Lockwasher-spring lock, 1/4"..... | 2 | 32 | 1901202 | Cable-ground, solenoid to engine block | 1 |
| 12 | 1186229 | Nut-hex, 1/4"-20 | 4 | 33 | 1186331 | Bolt-flange lock, 5/16-18 x 1"..... | 1 |
| 13 | 9092B | Battery-12 volt, 30 amps., side-vented. (incl. Ref. No. 24) | 1 | 34 | 1186391 | Nut-flange lock, 5/16"-18 | 1 |
| 14 | 96514 | Solenoid-starter, includes nuts and washers for cables and wires... | 1 | | | | |
| 15 | 1100242 | Lockwasher-5/16" | 2 | | | | |
| 16 | 1186211 | Nut-hex, 5/16"-24 | 2 | | | | |
| 17 | 1187559 | Lockwasher-external tooth, #10.. | 1 | | | | |
| 18 | 1186208 | Nut-hex, #10-32,..... | 1 | | | | |
| 19 | 96510 | Cable-solenoid to starter motor .. | 1 | | | | |
| 20 | 2571 | Battery Bracket | 1 | | | | |
| 21 | 1186349 | Bolt-flanged hex hd., 3/8-16 x 1-1/2"..... | 2 | | | | |

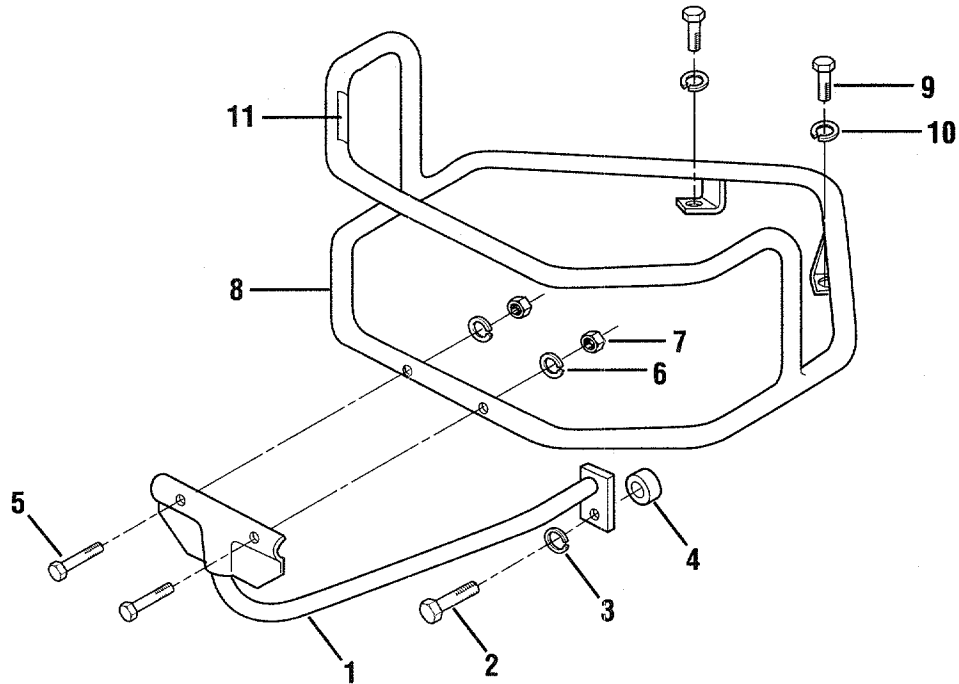
12584 DOZER/SNOW BLADE ATTACHMENT
(Figure 10)



NOTE: The Bumper Attachment (see Page 19) must be purchased and mounted on the tiller before the Dozer/Snow Blade Attachment can be used.

| REF No. | PART No. | DESCRIPTION | QTY. | REF No. | PART No. | DESCRIPTION | QTY. |
|---------|------------|---|------|---------|------------|--------------------------------------|------|
| --- | 12584 | Dozer/Snow Blade Kit- (incl. Ref. No.'s 1 through 16) | 1 | 9 | 1909773001 | Bracket - swivel ("A" frame)..... | 1 |
| 1 | 1900780001 | Blade - dozer/snow blade | 1 | 10 | 1909774001 | Bracket - dozer mounting | 1 |
| 2 | 1100057 | Bolt - hex hd., 1/2-13 x 3"..... | 1 | 11 | 1100779 | Bolt - hex hd., 5/16-18 x 1-3/4" ... | 4 |
| 3 | 1110110 | Locknut - hex, 1/2"-13 | 1 | 12 | 1100245 | Lockwasher - spring lock, 1/2" | 1 |
| 4 | 1900781001 | Pin - index, blade angle adjust..... | 1 | 13 | 1186233 | Nut - hex, 1/2"-13 | 1 |
| 5 | 1100064 | Bolt - hex hd., 1/2-13 x 1-1/2" | 1 | 14 | 1100242 | Lockwasher - spring lock 5/16" ... | 3 |
| 6 | 9905 | Washer - plain, 1/2"..... | 1 | 15 | 1186230 | Nut - hex, 5/16" x 18..... | 3 |
| 7 | 1416 | Bushing | 1 | 16 | 1107382 | Washer - plain, 5/16", S.A.E..... | 2 |
| 8 | 1100808 | Bolt - hex hd., 5/16-18 x 1-1/4" ... | 1 | | | | |

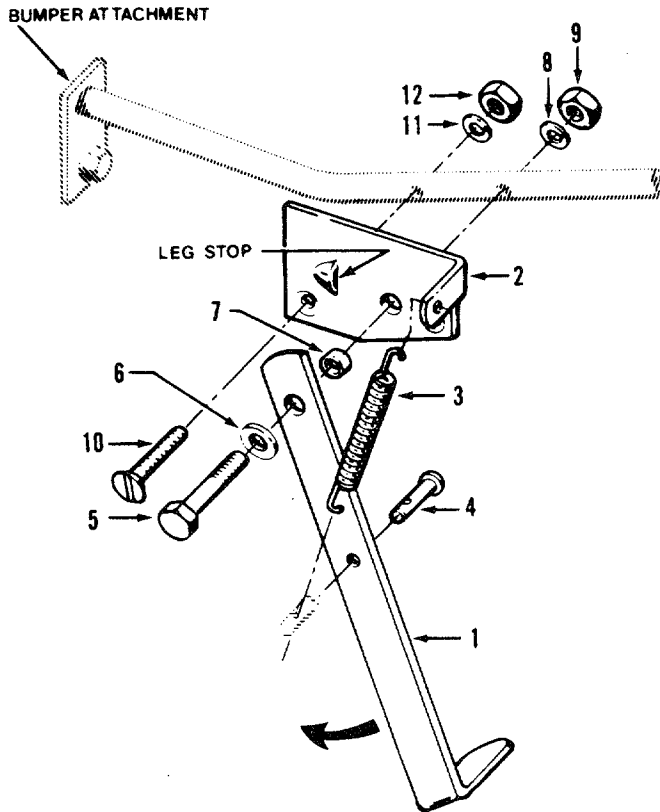
BUMPER ATTACHMENT
(Figure 11)



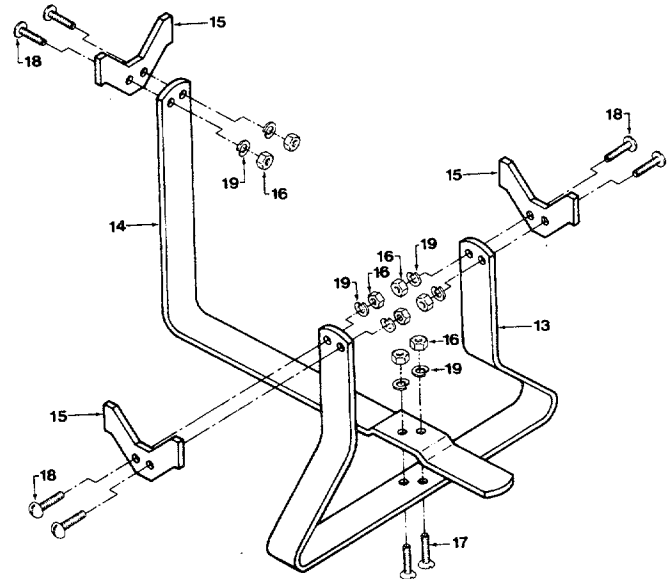
| REF No. | PART No. | DESCRIPTION | QTY. |
|---------|------------|---|------|
| --- | 12588 | Bumper Attachment. Includes Ref. Nos. 1 through 11) | 1 |
| 1 | 1910730001 | Brace - bumper bottom | 1 |
| 2 | 1909765 | Bolt - hex hd., 1/2-13 x 1-1/2" | 1 |
| 3 | 1100245 | Lockwasher - spring lock, 1/2" | 1 |
| 4 | 1909748 | Spacer, 1/2" | 1 |
| 5 | 1100799 | Bolt - hex hd., 5/16-18 x 1-1/2" ... | 2 |

| REF No. | PART No. | DESCRIPTION | QTY. |
|---------|------------|-------------------------------------|------|
| 6 | 1100242 | Lockwasher - spring lock, 5/16" .. | 2 |
| 7 | 1186230 | Nut - hex, 5/16"-18 | 2 |
| 8 | 1910731001 | Bumper wraparound..... | 1 |
| 9 | 1100046 | Bolt - hex hd., 3/8-16 x 1"..... | 2 |
| 10 | 1100243 | Lockwasher - spring lock, 3/8" | 2 |
| 11 | 1448 | Decal - for bumper | 1 |

KICKSTAND ATTACHMENT
(Figure 12)



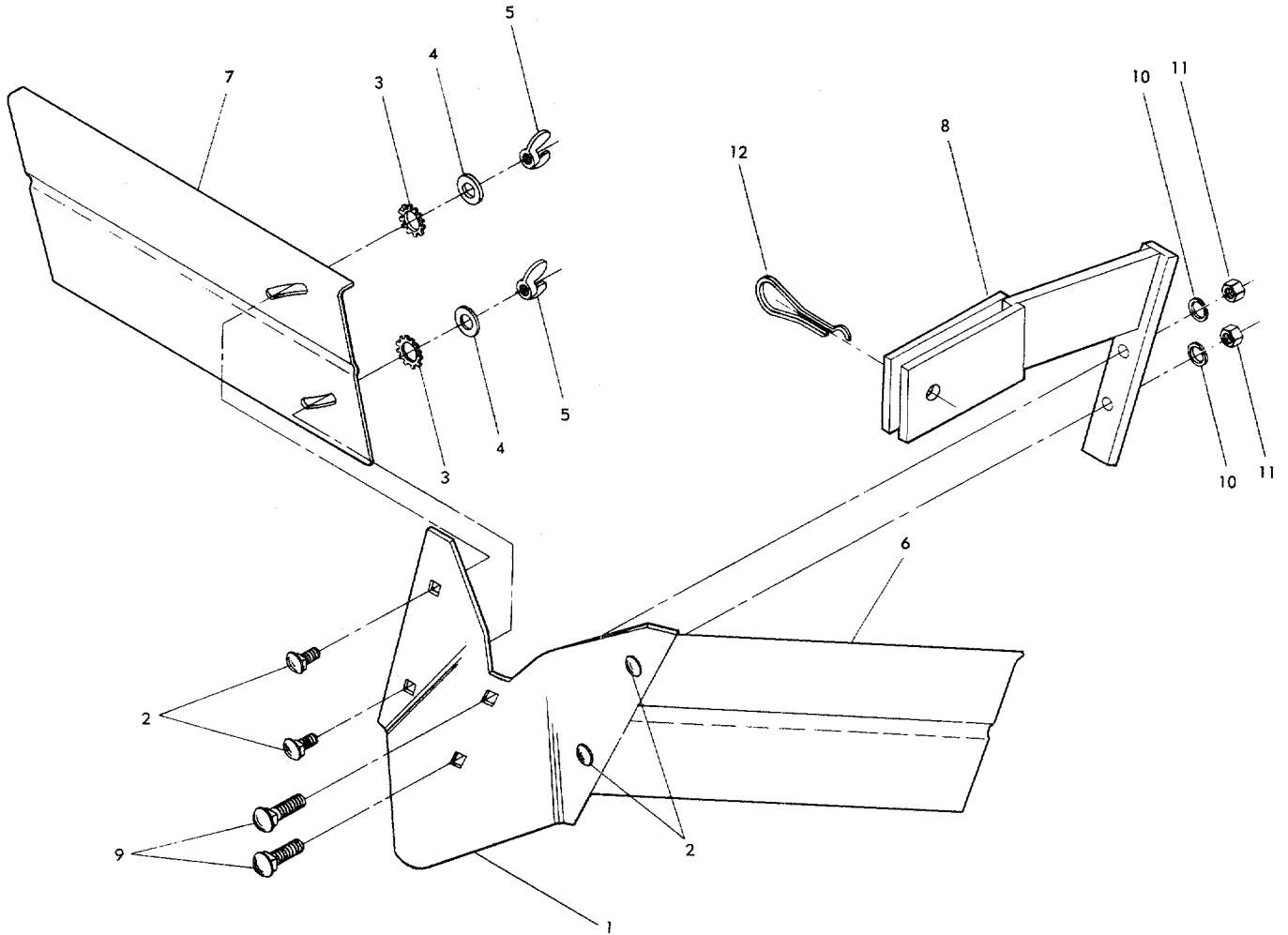
TINE ATTACHMENT CRADLE
(Figure 13)



| REF No. | PART No. | DESCRIPTION | QTY. |
|-----------------------------|------------|---|------|
| KICKSTAND ATTACHMENT | | | |
| ---- | 12580 | Kickstand—complete (incl. Ref. No.'s 1 through 12). Kickstand attaches to lower brace of bumper attachment (1932) | 1 |
| 1 | 1904520001 | Leg—kickstand | 1 |
| 2 | 1904521001 | Plate—kickstand mounting | 1 |
| 3 | 1492 | Spring—kickstand | 1 |
| 4 | 9336 | Pin—clevis | 1 |
| 5 | 1111606 | Bolt—hex hd., 5/16-18 x 2", Grade 5 | 1 |
| 6 | 9902 | Washer—flat, 5/16", S.A.E. | 1 |
| 7 | 9473 | Bushing—.438"lg. (.313" O.D., .275" I.D.) | 1 |
| 8 | 1100242 | Lockwasher—spring lock, 5/16".... | 1 |
| 9 | 1186230 | Nut—hex, 5/16"-18 | 1 |
| 10 | 9567 | Screw—flat hd., 1/4"-20 x 1-1/2"... | 1 |
| 11 | 1100241 | Lockwasher—spring lock, 1/4"..... | 1 |
| 12 | 1186229 | Nut—hex, 1/4"-20 | 1 |

| REF No. | PART No. | DESCRIPTION | QTY. |
|-------------------------------|------------|--|------|
| TINE ATTACHMENT CRADLE | | | |
| --- | 12583 | Tine Attachment Cradle—complete (incl. Ref. No.'s 13 - 19). For storing the tine attachment when removed from power unit. Also assists in removal and replacement of tine attachment | 1 |
| 13 | 1900894001 | Rear Cradle Support | 1 |
| 14 | 1900893001 | Front Cradle Support | 1 |
| 15 | 1900895001 | Tine Cradle Plate | 3 |
| 16 | 1186229 | Nut—hex, 1/4"-20 | 8 |
| 17 | 9580 | Screw—hex hd., 1/4"-20 x 3/4" | 2 |
| 18 | 90070 | Screw—round-head, 1/4"-20 x 3/4" .. | 6 |
| 19 | 1100241 | Lockwasher—spring lock, 1/4"..... | 8 |

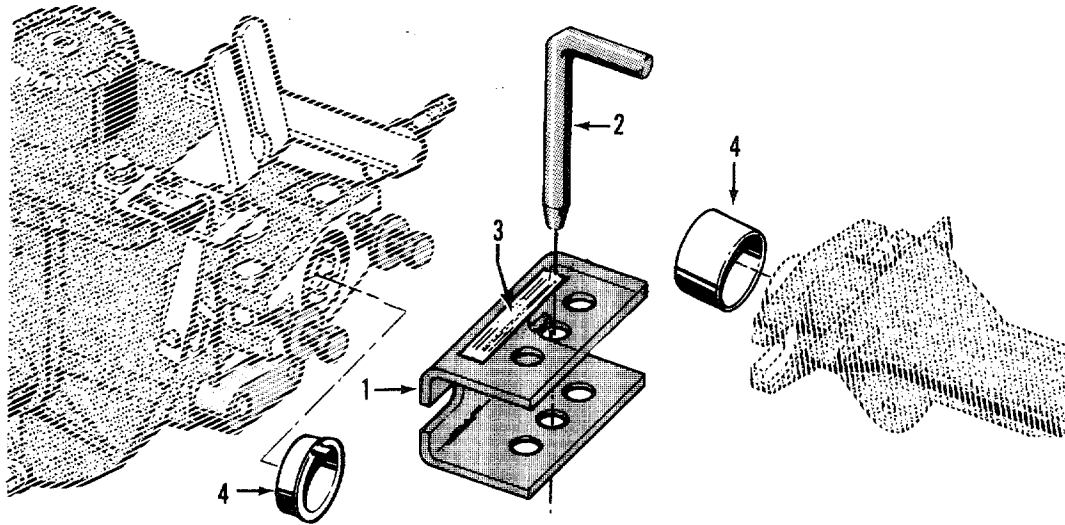
HILLER/FURROWER ATTACHMENT(Figure 14)



| REF No. | PART No. | DESCRIPTION | QTY. |
|---------|------------|---|------|
| --- | 12578 | Hiller/Furrower—complete (incl. Ref. No.'s 1 through 12). Owner must bolt blade to mounting bracket and wings to blade. Instructions included | 1 |
| 1 | 1900771001 | Furrower—blade only | 1 |
| 2 | 9765 | Carriage Bolt—5/16-18 x 3/4" | 4 |
| 3 | 1177548 | Star Washer—ext. tooth, 5/16"..... | 4 |
| 4 | 9902 | Washer—plain, 5/16" S.A.E. | 4 |
| 5 | 9824 | Wing Nut—5/16"-18..... | 4 |

| REF No. | PART No. | DESCRIPTION | QTY. |
|---------|------------|---|------|
| 6 | 1900777001 | Hiller Wing—left..... | 1 |
| 7 | 1900778001 | Hiller Wing—right | 1 |
| 8 | 1900772001 | Bracket—blade mounting..... | 1 |
| 9 | 9725 | Carriage Bolt—blade mounting, 3/8-16 x 1-1/2" | 2 |
| 10 | 1100243 | Lockwasher—spring lock, 3/8" plated | 2 |
| 11 | 1186231 | Nut—hex, 3/8"-16, plated | 2 |
| 12 | 9318 | Pin—clinch..... | 1 |

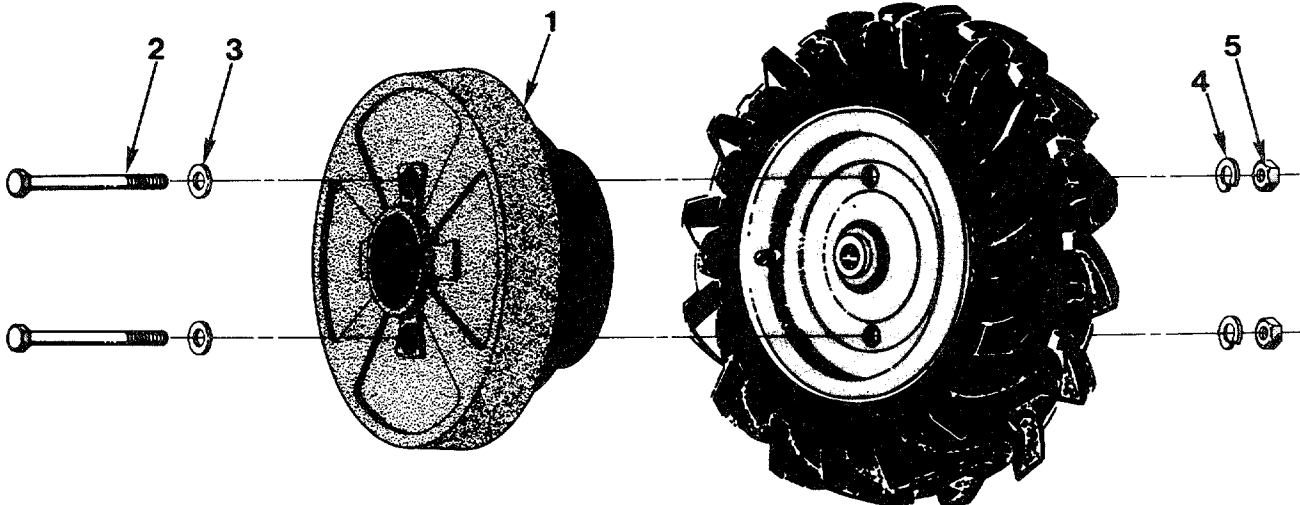
**TOW HITCH ATTACHMENT
(Figure 15)**



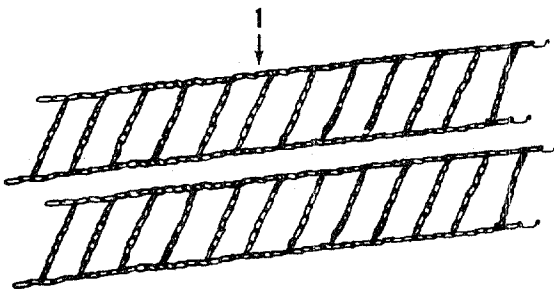
| REF No. | PART No. | DESCRIPTION | QTY. |
|---|------------|--|------|
| TOW HITCH ATTACHMENT (Figure 15) | | | |
| ---- | 12577 | Tow Hitch Attachment—complete (incl. Ref. No.'s 1 through 4).... | 1 |
| 1 | 1900779001 | Hitch—mounting plate (incl. Ref. No. 3)..... | 1 |
| 2 | 9363 | Pin—hitch | 1 |
| 3 | 2288 | Decal—warning instructions | 1 |
| 4 | 2006 | Dust Caps—2 protective covers | 1 |

| REF No. | PART No. | DESCRIPTION | QTY. |
|----------------------------------|----------|---|------|
| WHEEL WEIGHTS (Figure 16) | | | |
| 1 | 2382 | Shell—wheel weight..... | 2 |
| 2 | 1186411 | Screw—hex hd., 3/8-16 x 6" | 4 |
| 3 | 9904 | Washer—flat, 3/8" | 4 |
| 4 | 1100243 | Lockwasher—spring, 3/8" | 4 |
| 5 | 1186231 | Nut—hex, 3/8"-16 | 4 |
| ---- | 10185 | Wheel Weight Kit—complete, incl. Ref. No. 1 through 5). | |
| | | Instructions included | 1 |

**WHEEL WEIGHTS
(Figure 16)**



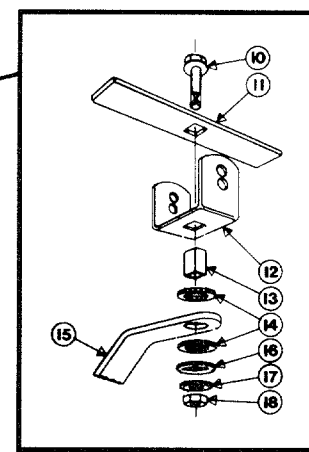
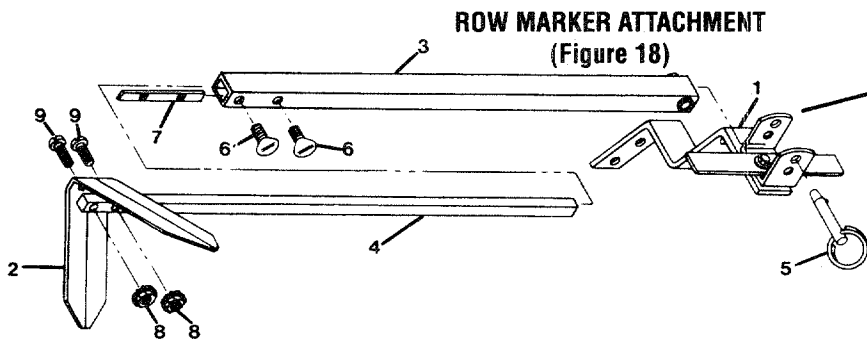
**TIRE CHAINS
(Figure 17)**



| REF No. | PART No. | DESCRIPTION | QTY. |
|--|------------|---|------|
| TIRE CHAINS (Figure 17) | | | |
| --- | 9146 | Chains-tire, heavy-duty steel. For standard. tread or bar tread tires. Two chains in a set..... | 1 |
| ROW MARKER ATTACHMENT Part #12589 (Figure 18) (Complete - attaches to #12578 Furrower Attachment) | | | |
| 1 | 1904522001 | Main Support & Yoke Assy-complete (incl. Ref. No. 10 through 18)..... | 1 |
| 2 | 1594 | Marker blade-blade only | 1 |
| 3 | 1904524001 | Marker arm-main arm..... | 1 |
| 4 | 1904523001 | Marker arm-extension arm with stop pin..... | 1 |
| 5 | 9347 | Hitch Pin-incl. in #1837 hardware package..... | 1 |
| 6 | 9786 | Thumbscrew-1/4-20 x 1/2", incl. in #1837 hardware package | 2 |
| 7 | 1596 | Nut Bar-incl. in #1837 hardware package..... | 1 |
| 8 | 9828 | Nut-hex, #10-24 with star washers (incl. in hardware pkg. #1837). | 2 |

| REF No. | PART No. | DESCRIPTION | QTY. |
|---|----------|---|------|
| 9 | 1100135 | Screw-round hd., #10-24 x 1 (incl. in hardware. pkg. #1837)..... | 2 |
| --- | 1837 | Hardware Pkg-incl. one each Ref. No. , and No. 7, and two each Ref. No.'s 6, 8 and 9..... | 1 |
| --- | 1850 | Row Marker & Hiller/Furrower Attachment Combination-complete Incl. #2638 Hiller/Furrower & #1832 Row Marker | 1 |
| ROW MARKER MAIN SUPPORT & YOKE ASSEMBLY (Part #1569) | | | |
| 10 | 90047 | Bolt-flanged, self-locking, 3/8-16 x 1-1/2" | 1 |
| 11 | 1593 | Stop Bar | 1 |
| 12 | 1592 | Yoke | 1 |
| 13 | 1591 | Tube Key-square | 1 |
| 14 | 1590 | Washer-friction | 1 |
| 15 | 1588 | Main Support..... | 1 |
| 16 | 1589 | Washer-square hole..... | 1 |
| 17 | 9925 | Washer-disc spring..... | 1 |
| 18 | 1186231 | Nut-hex, 3/8"-16 | 1 |

**ROW MARKER ATTACHMENT
(Figure 18)**



**Main Support/Yoke Assembly
Part 1904522001**

Parts Ordering Information

If you need service or parts:

For service assistance or parts, contact your local authorized dealer or the factory.

Your local dealer or service department will need to know the model/serial numbers of the unit to provide the most efficient service. See below for information on how to identify and record the identification numbers for the unit.

If you need engine service or parts:

For engine service or parts, contact your local authorized engine dealer. Look in the yellow pages of the phone book under "Engines-Gasoline" for the name of your nearest authorized engine dealer. An authorized engine dealer can handle all parts, repairs, and warranty service concerning the engine.

Note:

All replacement parts must conform to our rigid quality specifications. Although some replacement parts we provide may vary slightly in shape, color or texture from the original parts, any variations will not affect the fit or performance of these parts on your unit.



WARNING

We urge using only genuine replacement parts which meet all the latest requirements. Replacement parts manufactured by others could present safety hazards, even though they may fit on the unit!

IMPORTANT:

Left and right sides of the unit are determined by standing behind the unit, in the operator's position, and facing in the direction of forward travel.

NOTICE:

We reserve the right to change specifications, add improvements or discontinue the manufacture of any of our equipment without notice or obligation to purchasers of our equipment.

Identification Numbers

Record the Model/Serial Numbers here:

When ordering parts from us or your local servicing dealer, you will need to provide the unit's model/serial number. For your convenience and ready reference, record this information below.

Product Model/Serial Number _____

Engine Model / Serial Spec. Numbers _____

Date of Purchase _____

Name of Dealer _____

For customer assistance, contact your nearest authorized dealer or:

GARDEN WAY INCORPORATED • 1 Garden Way • Troy, New York 12180
Customer Service: 1-800-437-8686 • Technical Service: 1-800-520-5520 • Parts Service: 1-800-648-6776 • FAX: (518) 391-7332

Outside the United States and Canada
Customer Service: (518) 391-7007 • Technical Service: (518) 391-7008 • Parts Service: (518) 391-7006 • FAX (518) 391-7332