

OWNER'S GUIDE

Model No. 240-600

10 CENTS

EDGER

WARRANTY

For one year from date of purchase, MTD Products, Inc., will replace for the original purchaser, free of charge, F.O.B. factory or authorized service firm, any part or parts found to be defective in material or workmanship. All transportation charges on parts submitted for replacement under this warranty must be paid by the purchaser. This warranty does not include replacement of parts which become inoperative through misuse, excessive use, accident, neglect, improper maintenance or alterations by unauthorized persons. This warranty does not include the engine, motor, battery, battery charger or any component parts thereof. For service on these units refer to the applicable manufacturer's warranty.

The above warranty will apply only to the original owner and will be effective only if the warranty card has been properly processed. It will not apply where the unit has been used commercially.

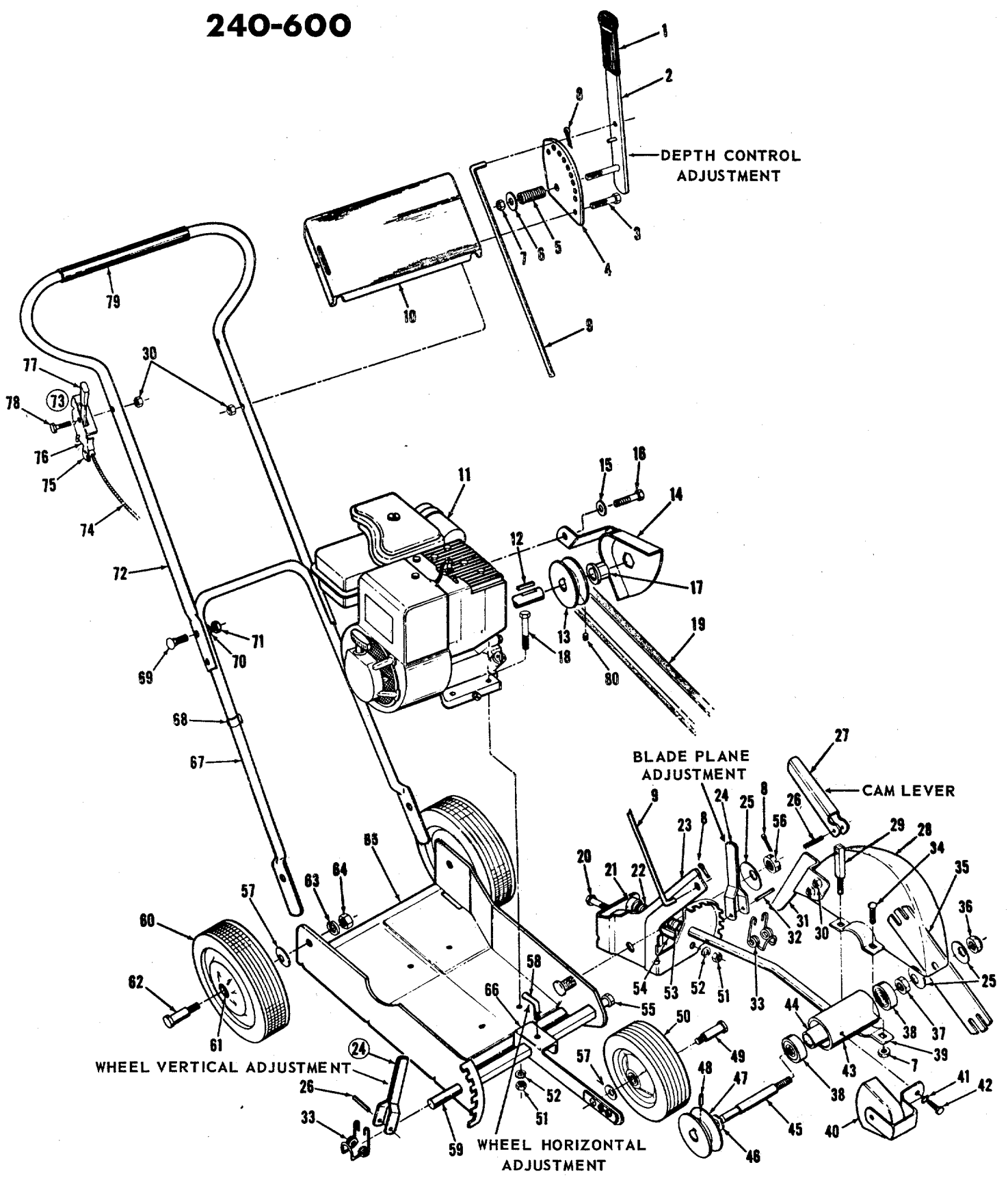
Warranty service is available through your local authorized service dealer or distributor. UNDER NO CIRCUMSTANCES WILL THE RETURN OF A COMPLETE UNIT BE ACCEPTED BY THE FACTORY UNLESS PRIOR WRITTEN PERMISSION HAS BEEN EXTENDED.

SAFETY RULES

1. Remove all sticks, stones, wire and other hazardous items from lawn before edging. Such items are dangerous to both the edger and individuals in the vicinity of the edger.
2. Always disconnect spark plug cable during repair, refueling, or adjustment operations.
3. Always start the engine from the side opposite the cutter head.
4. NEVER place hands or feet near the cutter head while the engine is running.
5. Always stop the engine when not operating the edger.
6. Do not fill gas tank while the engine is running. Do not spill gasoline on a hot engine.
7. Keep children and pets away from area at all times during edging operation.
8. Do not attempt to start engine while the blade is engaged.
9. Check all nuts and bolts, particularly the blade nuts, for tightness. This is especially important during the initial operation period. Make this same check periodically thereafter.

Your edger is a precision piece of equipment, not a plaything. Therefore exercise extreme caution at all times.

240-600



PARTS LIST FOR 240-600 EDGER

Ref. No.	Part Number	Description	Ref. No.	Part Number	Description
1	720-142	Flat Bar Grip	40	395-9944	Belt Guard Assembly
2	310-9948	Clutch Handle	41	736-329	Spring Lockwasher 1/4 Screw*
3	710-106	Hex Head Cap Screw 1/4-20 x 1-1/4 Lg. *	42	710-179	Hex Head Thread Cut Screw type "F" 1/4-20 x 1/2 Lg. *
4	310-9950	Clutch Plate	43	310-9934	Spindle Housing†
5	732-171	Compression Spring	44	711-385	Spacer
6	736-264	Flat Washer*	45	711-384	Spindle
7	712-372	Hex Centerlock Nut 5/16-18 Thd. *	46	736-116	Flat Washer .625 ID x .937 OD *
8	714-474	Cotter Pin 1/8 Dia. *	47	711-420	Pulley-Spindle
9	310-9951	Clutch Rod	48	715-246	Spirol Pin 3/16 Dia. x 1-1/4" Lg. *
10	395-10113	Handle Cover	49	738-213	Axle Bolt - Front Wheel
11		Engine	50	502-9392	Wheel Assembly 7" Dia. - Front
12	714-105	Square Key .187 sq. x 1" Lg. *	51	712-267	Hex Nut 5/16-18 Thd.
13	711-421	Pulley - Engine	52	736-119	Spring Lockwasher 5/16" Screw *
14	395-9941	Belt Guard Assembly	53	715-111	Spirol Pin 3/16" Dia. z 1 Lg. *
15	736-114	Internal Lockwasher 1/2" Dia. *	54	711-386	Spacer
16	710-121	Hex Head Cap Screw 1/2 - 20 x 3/4" Lg.	55	711-110	Shoulder Bolt
17	748-227	Hex Bearing	56	712-114	Castle Hex Nut 1/2-20 Thd. *
18	710-442	Hex Head Cap Screw 5/16 - 18 x 1-1/2 " Lg.	57	736-105	Belleveille Washer *
19	754-142	V-Belt 3/8" x 31.5" Lg. *	58	711-207	Lock Handle
20	710-402	Hex Head Cap Screw 5/16-18 x 4-1/2" Lg.	59	711-382	Shaft
21	711-379	Bushing	60	501-9392	Wheel Assembly 8" Dia. - Rear (2)
22	732-187	Compression Spring	61	305-7006	Fortiflex Bearing
23	395-9932	Pivot Bracket Assembly	62	738-108	Axle Bolt - Rear
24	310-9946	Lever Assembly	63	736-169	Spring Lockwasher for 3/8" Screw *
25	736-112	Belleveille Washer *	64	712-798	Hex Nut 3/8-16 Thd.*
26	715-119	Roll Pin 5/32" x 3/4" Lg. *	65	395-9930	Base Assembly
27	310-9953	Cam Lever	66	310-9936	Wheel Bracket Assembly
28	395-9938	Guard Assembly	67	310-9955	Handle - Lower
29	711-383	Stud	68	746-145	Cable Clip
30	712-107	Hex Centerlock Nut 1/4-20 thd. *	69	710-111	Carriage Bolt 1/4-20 x 1-1/4 Lg. *
31	395-9952	Guide	70	736-329	Spring Lockwasher 1/4 Screw *
32	715-101	Roll Pin 1/4" x 1-1/2" Lg. *	71	712-287	Hex Nut 1/4-20 Thd. *
33	732-188	Tension - Spring	72	310-10112	Handle - Upper
34	710-444	Hex Head Cap Screw 5/16-18 x 1" Lg. *	73	310-8565	Throttle Control Complete 10449
35	321-9954	Blade	74	732-144	Conduit and Wire **
36	712-200	Hex Elastic Stop Nut 1/2-20 thd.*	75	901-7627	Ferrule Assembly **
37	712-922	Hex Jam Nut 1/2-20 thd. *	76	310-8508	Throttle Control Bracket **
38	741-124	Bearings # 203	77	305-7470	Knob **
39	395-10244	Clamp Bracket	78	710-606	Hex Head Cap Screw 1/4-20 x 1-1/2 Lg. *
			79	718-124	Grip - Handle
			80	710-137	Set Screw 5/16-24 Thd. *

**For faster service obtain standard nuts, bolts, and washers locally. If these items cannot be obtained locally, order by part number and size as shown on the parts list.

††To order spindle housing complete with two bearings, spacer and spindle shaft order part number 310-10229.

**Part of throttle control complete 310-8565.

NOTE: This instruction manual covers various models and all accessories shown do not necessarily apply to your model.

MTD PRODUCTS INC. extends its warranty only on the edger. If repairs or service is needed on the engine, please contact your nearest, authorized engine service outlet. Check the "Yellow Pages" of your telephone book under "Engines - Gasoline".



ASSEMBLY

Your new edger is shipped preassembled with the exception of the handle, rear wheels, and throttle control.

1. Remove the edger and all parts from the carton. Make certain that all loose parts and literature are removed from carton before carton is discarded.
2. Assemble the lower handle into the slots in the rear of the frame. Line up the holes in the handle with the holes in the frame and insert the axle bolt through the wheel, Belleville washer, frame, handle, lockwasher and secure with hex nut as shown on the parts drawing.
3. Assemble the upper handle assembly to the lower handle with four carriage bolts, lockwashers and nuts.
4. Assemble the clutch rod to the clutch handle and pivot bracket assembly and secure with cotter pins.
5. Check the lubrication section of this manual for proper engine lubrication care.

CONTROLS

ENGINE — One lever operates the choke, regulates the engine speed and stops the engine. Ref. No. 73.

DEPTH CONTROL ADJUSTMENT — The clutching and declutching of the belt is accomplished by moving the clutch handle. To declutch pull the handle towards you as you operate the edger. The farther you push the handle forward the deeper the cut. To operate the clutch handle, move it to the left so the pin clears the clutch plate. Ref. No. 4.

CAM LEVER — The cam lever releases the blade guard assembly so it can be rotated to any position. The cam lever can be tightened by adjusting the hex nut on the stud (ref. no. 29). Ref. No. 27.

BLADE PLANE ADJUSTMENT — The cutting blade can be adjusted for vertical to horizontal position by releasing the lever on the pivot bracket assembly and rotating the spindle housing. The notches will hold it in any position. Ref. No. 24.

WHEEL HORIZONTAL ADJUSTMENT — Loosening the lever on the front of the frame will allow you to move the front wheel bracket assembly to either side of the frame. Ref. No. 58.

WHEEL VERTICAL ADJUSTMENT — By releasing the lever on the R. H. side of the frame you can raise and lower the front wheel of your edger. Additional adjustment can be made by unscrewing the axle bolt and using the different holes in the end of the wheel bracket assembly. Ref. No. 24.

By becoming familiar with all the controls and adjustments before you operate your edger you will be able to easily adjust your edger to a variety of cutting and trimming conditions. While the engine is running, **DO NOT ATTEMPT TO MAKE ANY ADJUSTMENTS** except with the engine control or the depth control adjustment.

STARTING INSTRUCTIONS

1. Fill the crankcase with oil. See Lubrication section of this manual.
2. Fill the gasoline tank with "regular" gasoline.
3. Move the depth control adjustment lever back as far as it will travel and engage the pin in the clutch plate (ref. no. 4).
4. Set the engine control in the "choke" position.
5. Grasp the starter handle and pull out the cord rapidly. Return it slowly to the engine. If the engine does not start after two pulls, move the engine control to the "fast" position.

LUBRICATION

ENGINE — Fill sump with oil. Use a high quality detergent oil classified "For Service MS". Nothing should be added to the recommended oil. **SUMMER** — Use SAE 30. **WINTER** — (Below 40° F.) Use SAE 5W-20 or SAE 10W.

Directions: Place the engine level. Remove filler plug. **FILL THE OIL SUMP TO POINT OF OVERFLOW.**
Pour slowly.

WHEELS — The wheel bearings are lifetime Fortiflex and require no lubrication.

CUTTER HEAD BEARINGS — The two ball bearings in the cutter head are lubricated and sealed at the factory and require no lubrication. Lubricate all other moving parts with engine oil.

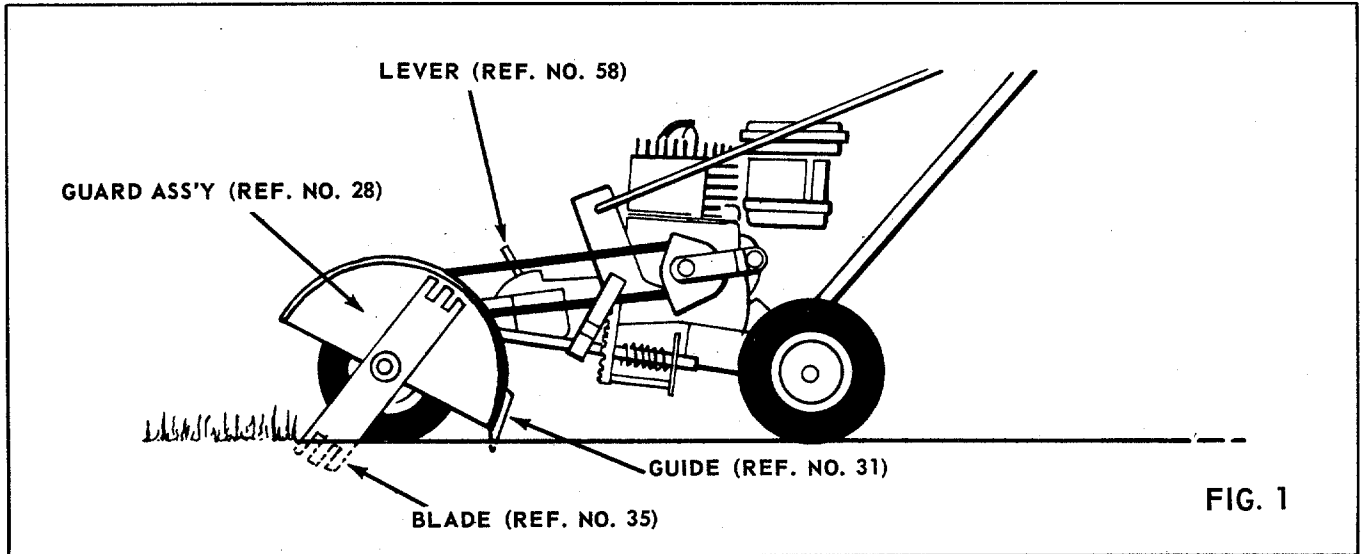
MAINTENANCE

BLADE REMOVAL — Use a wrench on both sides of the blade when removing it for replacement.

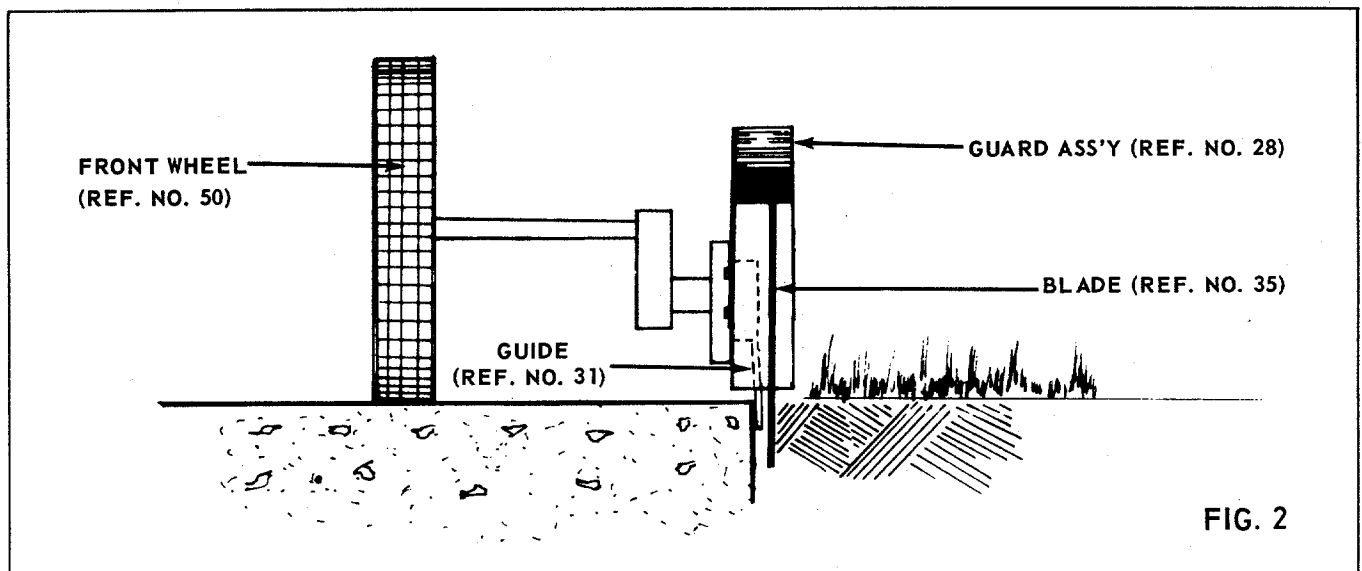
BELT REMOVAL — To remove the V-Belt, remove the belt guard on the engine pulley and the belt guard on the spindle housing. Replace with a ½ x 32" V-Belt. (Part Number 754-142).

OPERATING INSTRUCTIONS

1. Loosen the lever (ref. no. 58) on the wheel horizontal adjustment and move it all the way to the right and tighten the lever.
2. Move the depth control adjustment lever down until the blade engages in the ground.
3. Be sure the guide (ref. no. 31) which is mounted on the guard ass'y. (ref. no. 28) follows in the fresh cut of the blade. (See position of guard fig. 1).



4. Be sure guide (ref. no. 31) rides against the walk (see fig. 2) below.
5. Guard ass'y. (ref. no. 28) is adjustable horizontally. If operator is on walk as in fig. 2; pull guard ass'y. (ref. no. 28) to the right so that the inside of guide (ref. no. 31) is to the walk. If operator is on lawn, pull the guard ass'y. (ref. no. 28) to the left. This allows the outside of guide
6. To operate the edger as a trimmer, rotate the cutter head 90° by adjusting the blade plane adjuster.
7. The edger can be adjusted by lowering the front wheel with the wheel vertical adjustment so the front wheel will roll in the street while the rear wheel is on top of the curb.



CAUTION

Do not adjust the blade guard with the engine running.