



KPT-DS

Direct Steam Pedestal Tilting Kettle



OPTIONS AND ACCESSORIES

(AT ADDITIONAL CHARGE)

- **Etched markings**
 - Gallons
 - Litres
- **Draw Off valves and accessories**
 - 2" (50mm) draw off valve
 - 3" (76mm) draw off valve
 - 2" (50mm) dairy valve
 - 3" (76mm) dairy valve
 - Perforated strainer for draw off
 - Solid stainless steel disc for draw off valve
- **Faucets**
 - Single pantry faucet with swing spout
 - Double pantry faucet with swing spout
- **Covers**
 - One piece lift off stainless steel cover
 - Spring assist hinged stainless steel cover
- **Baskets**
 - Tri-basket assembly
 - Single basket
- 316 stainless steel liner for 60 and 80 gallon
- 50 PSI (345 kPa) high pressure operation for higher cooking temperature
- Pan carrier
- Strainer hook
- Graduated measuring strip
- Steam trap assembly consisting of steam trap, check valve, and Y strainer
- Pour strainer
- Correctional package

Project _____

Item No. _____

Quantity _____

- Model KPT-20DS - 20 gallon (76 litres) direct steam pedestal tilting kettle
- Model KPT-30DS - 30 gallon (114 litres) direct steam pedestal tilting kettle
- Model KPT-40DS - 40 gallon (151 litres) direct steam pedestal tilting kettle
- Model KPT-60DS - 60 gallon (227 litres) direct steam pedestal tilting kettle
- Model KPT-80DS - 80 gallon (303 litres) direct steam pedestal tilting kettle

CONSTRUCTION

- Water resistant construction
- 304 stainless steel construction with #4 satin finish
- 316 stainless steel interior cooking surface for added corrosion resistance for 20, 30 and 40 gallon
- Stainless steel pipe shall support the kettle and tilt console.
- Tilt console houses the steam control and tilt mechanism
- Hemispherical design on bottom of kettle for superior heat circulation
- Stainless steel, self locking tilt mechanism permits kettle to tilt forward 90° to empty

STANDARD FEATURES

- Steam inlet piping concealed in tilt console
- Stainless steel faucet bracket
- One year parts and labor warranty*

* For all international markets, contact your local distributor.



KPT-DS PEDESTAL BASE TILTING KETTLE

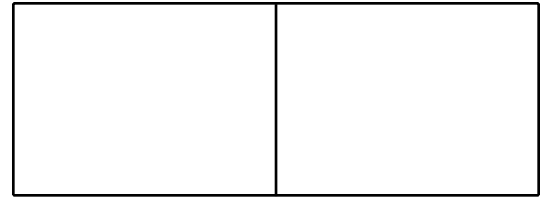
BLODGETT

44 Lakeside Avenue, Burlington, VT 05401

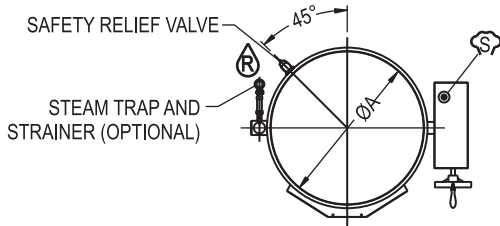
Toll Free: (800) 331-5842 • Phone: (802) 860-3700 • Fax: (802) 864-0183



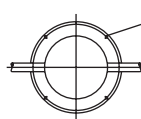
KPT-DS PEDESTAL BASE TILTING KETTLE



APPROVAL/STAMP

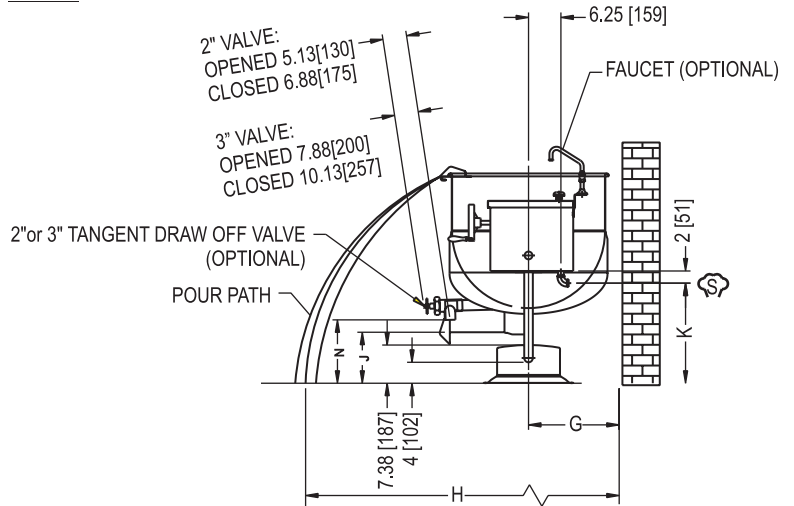
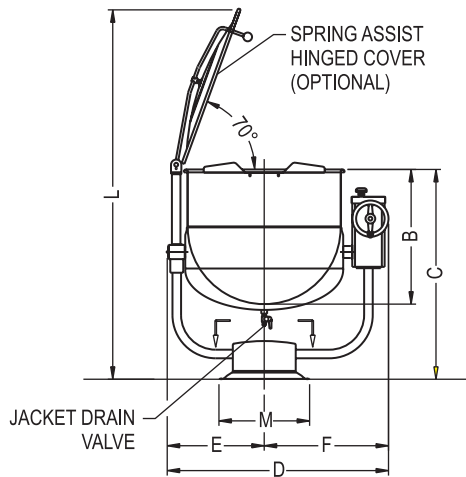


DIMENSIONS ARE IN INCHES [MM]



VIEW A-A

4X Ø7/16 [11] EQ. SPACED
ON 16.62 [422] B.C. (20 TO 60 GALLONS)
ON 19.62 [498] B.C. (80 GALLONS)



MODEL	A	B	C	D	E	F	G	H	J	K	L	M	N (2")	N (3")
KPT-20DS	21[535]	18[460]	37[940]	34.75[885]	14.75[375]	20[508]	13.5[343]	41[1041]	15.25[387]	20.5[521]	59.5[1512]	17.5[445]	16.75[425]	16.25[413]
KPT-30DS	24[610]	20[510]	37[940]	37.75[960]	16.25[413]	21.5[546]	14[356]	43[1092]	13.25[337]	20[508]	62.5[1588]	17.5[445]	14.75[375]	14.25[362]
KPT-40DS	26[660]	22.5[570]	37[940]	39.75[1010]	17.25[438]	22.5[572]	15.5[394]	45[1143]	10.75[273]	18.5[470]	64[1626]	17.5[445]	12.25[311]	11.75[298]
KPT-60DS	29.5[750]	26[660]	40.5[1029]	43[1092]	18.87[479]	24.13[613]	17.5[445]	48[12.19]	10.25[260]	19.25[489]	74[1879]	17.5[445]	14.25[362]	13.75[349]
KPT-80DS	33[840]	28[710]	42.5[1080]	46.5[1181]	20.63[524]	25.88[657]	19[483]	52[1321]	9.75[248]	20.5[521]	76[1930]	20.5[521]	12.25[311]	11.75[298]

SHORT FORM SPECIFICATIONS

Provide Blodgett model KPT-20DS (20 gallon), KPT-30DS (30 gallon), KPT-40DS (40 gallon), KPT-60DS (60 gallon) or KPT-80DS (80 gallon) direct steam pedestal base tilting kettle. The unit shall have a double wall interior to form a steam jacket around the lower 2/3 of the kettle. The bottom of the kettle shall be of hemispherical design for superior heat circulation. Unit shall have stainless steel pipe to support the kettle and tilt console. Tilt console shall conceal the steam piping, house the steam control valve and tilt mechanism. The tilt mechanism shall permit the kettle to tilt forward a full 90° for complete emptying. The tilting mechanism shall be self locking for positive stop action. Construction shall be all welded satin finish 304 stainless steel. 20, 30 and 40 gallon models shall have a 316 stainless steel liner. Unit shall be ASME code stamped and National Board registered. Provide options and accessories as indicated.

PIPING REQUIREMENTS:

Steam Supply 3/4" IPS (19 mm)
Condensate Return 1/2" IPS (13 mm)

STEAM PRESSURE:

Minimum 5 PSI (34 kPa)
Maximum 35 PSI (241 kPa) standard kettle
50 PSI (345 kPa) optional high pressure kettle

Pressure reducing valve required if incoming steam pressure exceeds the kettle rating.

SHIPPING INFORMATION:

Approx. Weight:

KPT-20DS 280 lbs. (127 kg)
KPT-30DS 325 lbs. (147 kg)
KPT-40DS 370 lbs. (168 kg)
KPT-60DS 400 lbs. (181 kg)
KPT-80DS 460 lbs. (209 kg)

NOTE: The company reserves the right to make substitutions of components without prior notice.

BLODGETT

44 Lakeside Avenue, Burlington, VT 05401
Toll Free: (800) 331-5842 • Phone: (802) 860-3700 • Fax: (802) 864-0183