



## KPS-DS

### Direct Steam Pedestal Stationary Kettle



Project \_\_\_\_\_

Item No. \_\_\_\_\_

Quantity \_\_\_\_\_

- Model KPS-20DS - 20 gallon (76 litres) direct steam pedestal stationary kettle
- Model KPS-30DS - 30 gallon (114 litres) direct steam pedestal stationary kettle
- Model KPS-40DS - 40 gallon (151 litres) direct steam pedestal stationary kettle
- Model KPS-60DS - 60 gallon (227 litres) direct steam pedestal stationary kettle
- Model KPS-80DS - 80 gallon (303 litres) direct steam pedestal stationary kettle
- Model KPS-100DS - 100 gallon (380 litres) direct steam pedestal stationary kettle

#### CONSTRUCTION

- Water resistant construction
- 304 stainless steel construction with #4 satin finish
- 316 stainless steel interior cooking surface for added corrosion resistance for 20, 30 and 40 gallon
- Stainless steel pedestal base with four 7/16" holes evenly spaced for securing to the floor
- Hemispherical design on bottom of kettle for superior heat circulation

#### STANDARD FEATURES

- 2" (50mm) sanitary draw off valve
- Hinged stainless steel cover on 20, 30 and 40 gallon kettles
- Spring assist hinged stainless steel cover on 60, 80 and 100 gallon kettles
- Stainless steel faucet bracket
- One year parts and labor warranty\*

\* For all international markets, contact your local distributor.

KPS-DS PEDESTAL BASE STATIONARY KETTLE

#### OPTIONS AND ACCESSORIES

(AT ADDITIONAL CHARGE)

- **Etched markings**
  - Gallons
  - Litres
- **Draw Off valves and accessories**
  - 3" (76mm) draw off valve
  - 2" (50mm) dairy valve
  - 3" (76mm) dairy valve
  - Perforated strainer for draw off
  - Solid stainless steel disc for draw off valve
- **Faucets**
  - Single pantry faucet with swing spout
  - Double pantry faucet with swing spout
- **Covers**
  - Two piece hinged cover
  - Spring assist hinged stainless steel cover for 20, 30 and 40 gallon kettles
- Tri-basket assembly
- 316 stainless steel liner for 60, 80b and 100 gallon
- 50 PSI (345 kPa) high pressure operation for higher cooking temperature
- Steam control valve
- Strainer hook
- Graduated measuring strip
- Steam trap assembly consisting of steam trap, steam inlet, check valve, and line strainer
- Correctional package



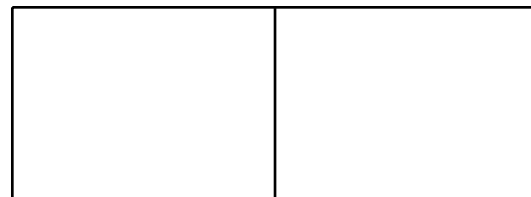
#### BLODGETT

44 Lakeside Avenue, Burlington, VT 05401

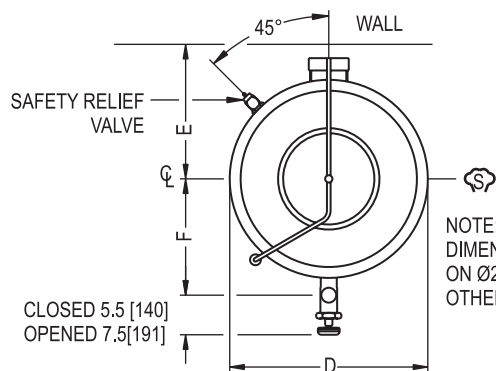
Toll Free: (800) 331-5842 • Phone: (802) 860-3700 • Fax: (802) 864-0183



# KPS-DS PEDESTAL STATIONARY KETTLE



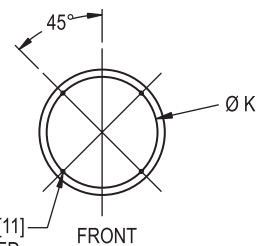
APPROVAL/STAMP



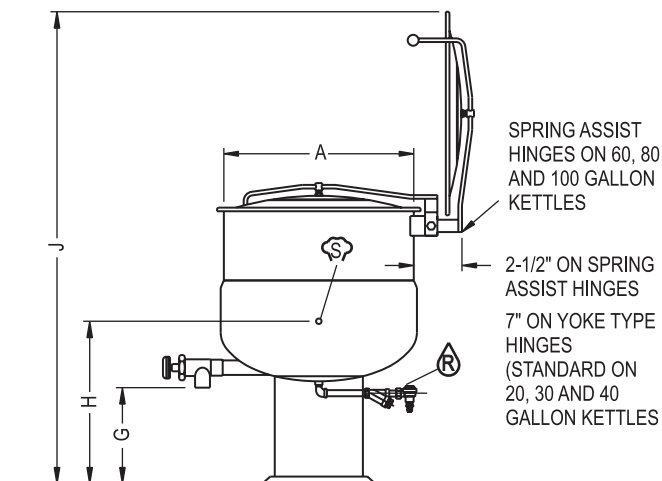
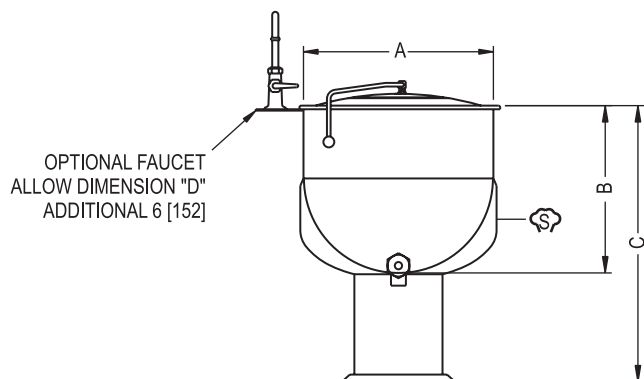
DIMENSIONS ARE IN INCHES [MM]

NOTE:  
DIMENSIONS F AND G ARE BASED  
ON Ø2" DRAW-OFF VALVE.  
OTHER VALVES VARY ACCORDINGLY.

PEDESTAL DETAIL



4 HOLES Ø 7/16 [11]  
EQUALLY SPACED



MODEL	A	B	C	D	E	F	G	H	J	K
KPS-20DS	21[533]	18[457]	37[940]	22.75[578]	16[406]	12.75[324]	17.13[435]	25.88[657]	59.75[1518]	16.88[429]
KPS-30DS	24[610]	20[508]	37[940]	25.88[657]	17.5[445]	13.5[343]	15.13[384]	26.38[670]	62.88[1597]	16.88[429]
KPS-40DS	26[660]	22.5[572]	37[940]	27.88[708]	18.5[470]	14.25[362]	12.63[321]	23.88[606]	64.88[1648]	16.88[429]
KPS-60DS	29.5[749]	26[660]	40.5[1029]	31.38[822]	17.75[451]	15.5[394]	12.63[321]	24.69[627]	72.88[1851]	16.88[429]
KPS-80DS	33[838]	28[711]	42.5[1080]	34.75[883]	19.5[495]	17.5[445]	10.63[270]	23.88[606]	77.25[1962]	19.63[498]
KPS-100DS	35.5[902]	30[762]	44.5[1130]	37.25[946]	20.75[527]	17[432]	12.63[321]	26.63[676]	81.75[2076]	19.63[498]

### SHORT FORM SPECIFICATIONS

Provide Blodgett model KPS-20DS (20 gallon), KPS-30DS (30 gallon), KPS-40DS (40 gallon), KPS-60DS (60 gallon), KPS-80DS (80 gallon) or KPS-100DS direct steam pedestal base stationary kettle. The unit shall have a double wall interior to form a steam jacket around the lower 2/3 of the kettle. The bottom of the kettle shall be of hemispherical design for superior heat circulation. The kettle shall mount on stainless steel pedestal base with four 7/16" holes evenly spaced for securing to the floor. Construction shall be all welded #4 satin finish 304 stainless steel. 20, 30 and 40 gallon models shall have a 316 stainless steel liner. Unit shall include 2" sanitary draw off valve. 20, 30, and 40 gallon kettles shall have hinged, stainless steel cover. 60, 80 and 100 gallon kettles shall have spring assist hinged stainless steel cover. Unit shall be ASME code stamped and National Board registered. Provide options and accessories as indicated.

### PIPING REQUIREMENTS:

Steam Supply 3/4" IPS (19 mm)  
Condensate Return 1/2" IPS (13 mm)

### STEAM PRESSURE:

Minimum 5 PSI (34 kPa)  
Maximum 35 PSI (241 kPa) standard kettle  
50 PSI (345 kPa) optional high pressure kettle

Pressure reducing valve required if incoming steam pressure exceeds the kettle rating.

### SHIPPING INFORMATION:

#### Approx. Weight:

KPS-20DS 205 lbs. (93 kg)  
KPS-30DS 230 lbs. (104 kg)  
KPS-40DS 240 lbs. (109 kg)  
KPS-60DS 315 lbs. (143 kg)  
KPS-80DS 360 lbs. (163 kg)  
KPS-100DS 410 lbs. (186 kg)

**NOTE:** The company reserves the right to make substitutions of components without prior notice.

**BLODGETT**

44 Lakeside Avenue, Burlington, VT 05401 • Toll Free: (800) 331-5842 • Phone: (802) 860-3700 • Fax: (802) 864-0183