



PARTS LIST
GAS TILTING KETTLES
MODELS: KLT-20G
KLT-40G
KLT-60G



April 6, 2007

BLODGETT OVEN CO ▪ 44 lakeside Ave ▪ Burlington, VT 05446
Tel. 800-331-5842 ▪ Fax 802-860-3732 ▪ www.blodgett.com

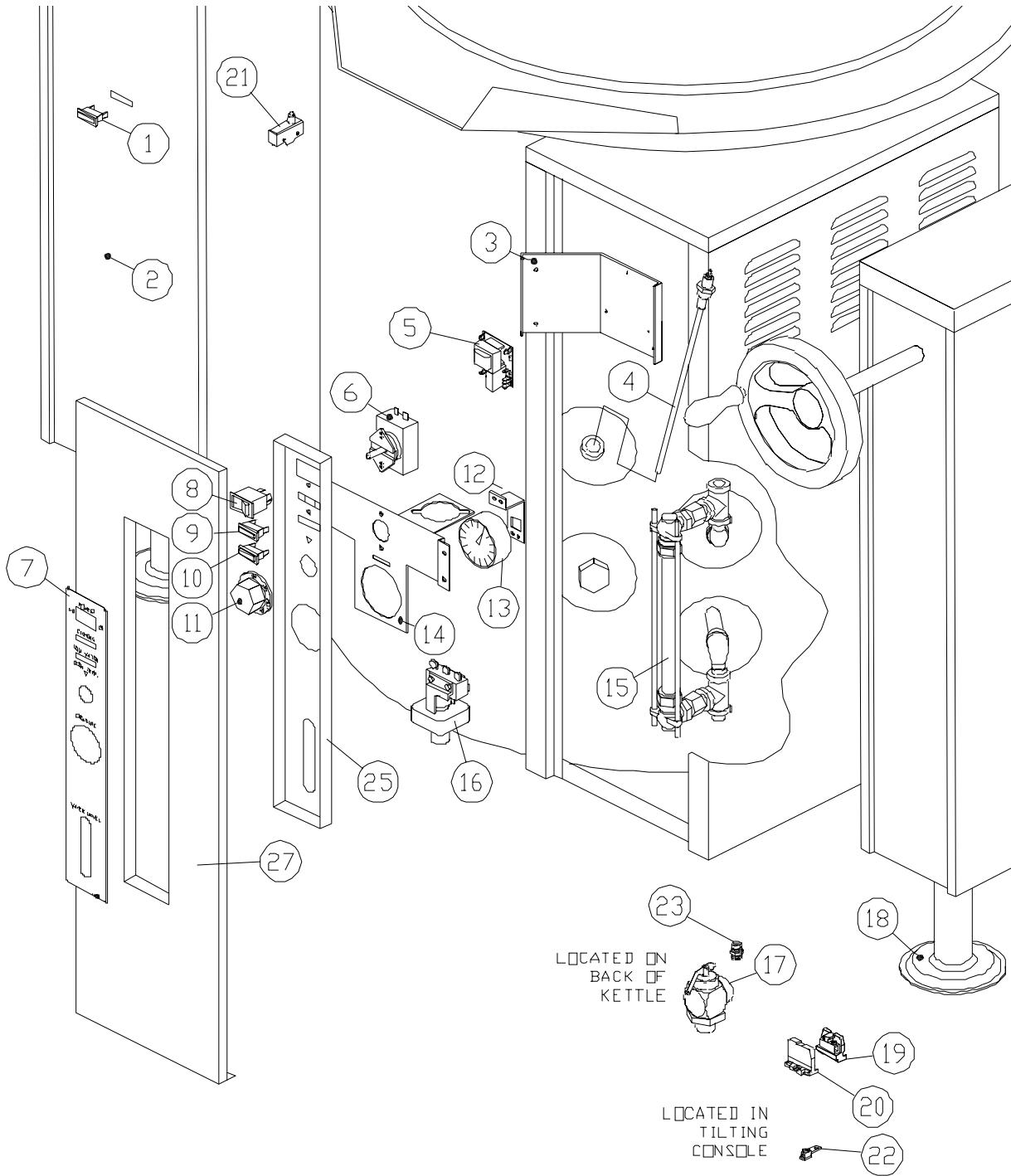


FIGURE 1

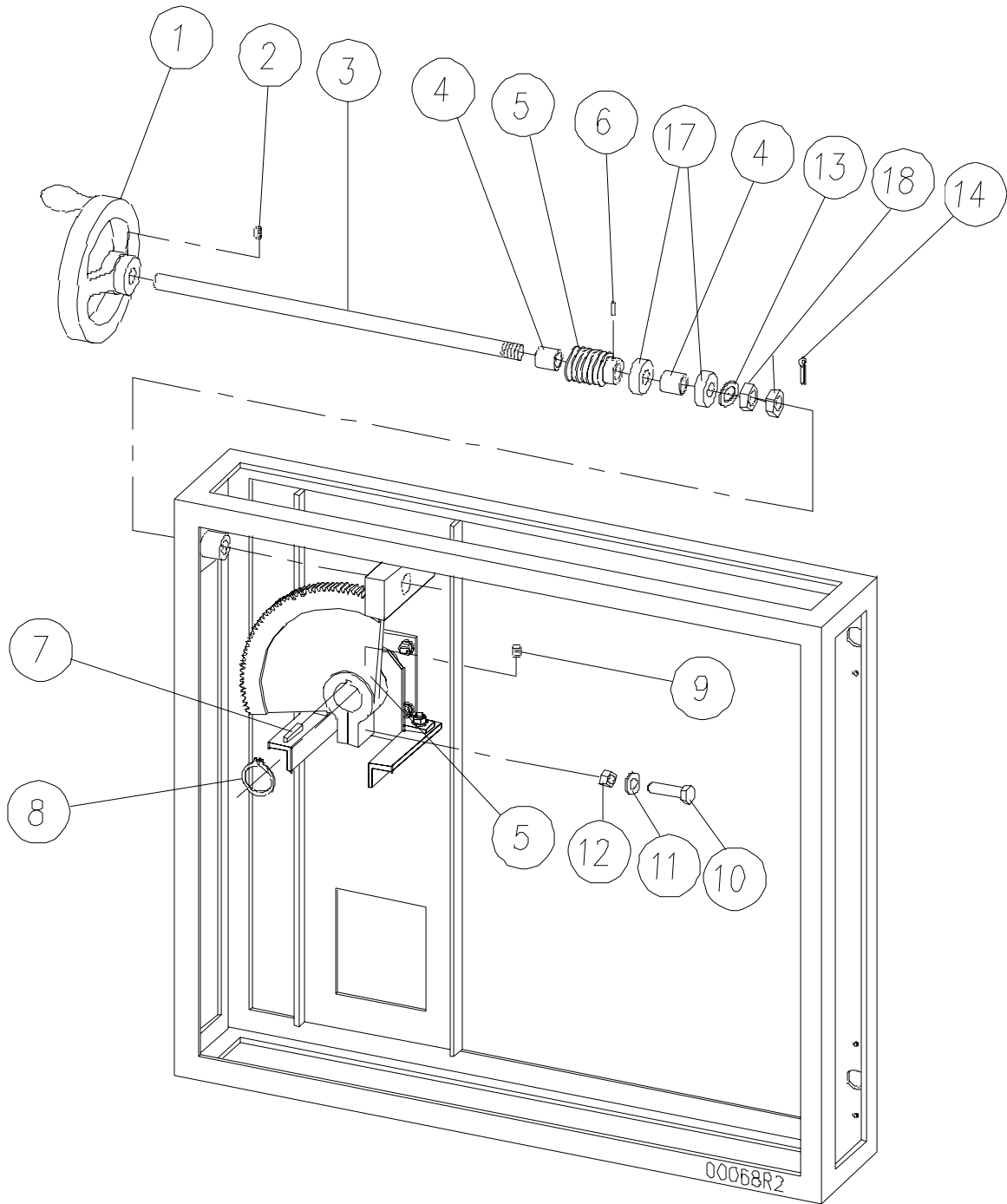
<u>ITEM</u>	<u>Part Number</u>	<u>DESCRIPTION</u>	<u>QUANTITY</u>	
	1	40955	Pilot Light - Green 24V	1
	2	42175	Instruction Label	1
	3	40795	Low Water Control Mounting Bracket	1
**	4	40466	Probe, 9 1/4" (20 Gallon)	1
		40467	Probe, 9 3/4" (30, 40, 60 Gallon)	1
	5	40542	Low Water Cut Off Control	1
	6	40046	Thermostat	1
	7	42548	Poly Panel	1
	8	41889	Power Switch	1
	9	42415	Pilot Light - Red	1
	10	42430	Pilot Light - Amber	1
	11	41006	Dial	1
	12	42179	Pressure Gauge Bracket	1
	13	40907	Pressure Gauge	1
**	14	42177	Mounting Bracket (30, 40 Gallon only)	1
		42178	Mounting Bracket (20, 60 Gallon only)	1
	15	41077	Sight Glass Assembly	1
		41741	Rods	2
		41743	Washer - Rubber	2
		41744	Washer - Brass	2
	16	42443	Pressure Switch	1
	17	40613	Relief Valve	1
	18	41474	Flanged Foot	2
	19	40708	Terminal Block Section	2
	20	40707	End Section	1
	21	40938	Interlock Switch	1
	22	40743	Ground Lug	1
	23	40548	Vent	1

				<u>FIGURE 1</u>
<u>ITEM</u>	<u>Part Number</u>	<u>DESCRIPTION</u>	<u>QUANTITY</u>	
* **	24	40251	Combustion Chamber (20 Gallon)	1
		40252	Combustion Chamber (30, 40 Gallon)	1
		40253	Combustion Chamber (60 Gallon)	1
	25	40033	Recessed Control Panel	1
* **	26	40376	Bottom Cover (20 Gallon)	1
		40377	Bottom Cover (30, 40 Gallon)	1
		40378	Bottom Cover (60 Gallon)	1
**	27	40326	Control Panel (20, 30, 40 Gallon)	1
		40329	Control Panel (60 Gallon)	1

* NOT SHOWN.

** SELECT AS REQUIRED.

KLT-20, TILTING MECHANISM



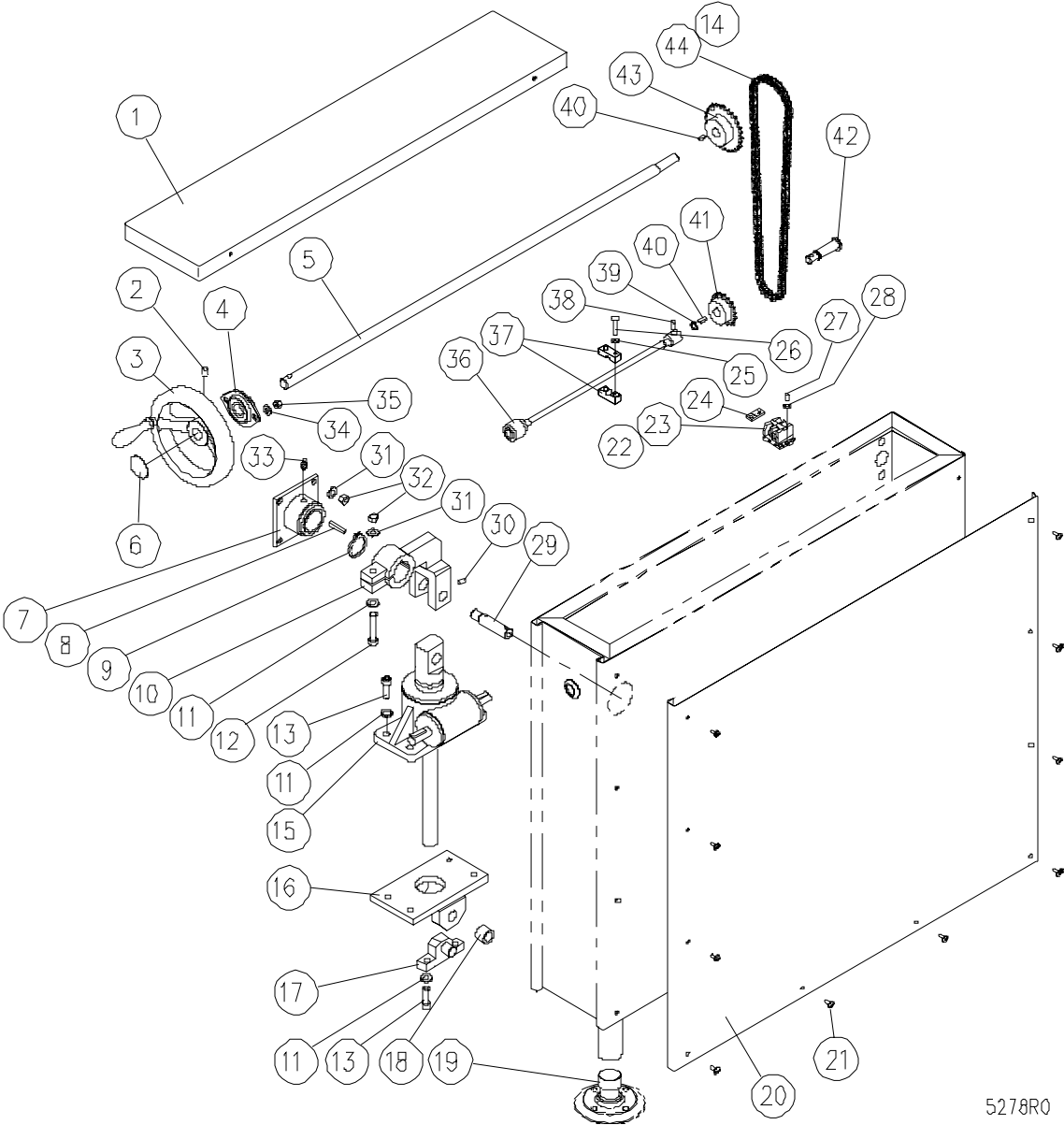
KLT - 20, TILTING MECHANISM

FIGURE 2

<u>ITEM</u>	<u>Part Number</u>	<u>DESCRIPTION</u>	<u>QUANTITY</u>
1	41554	Handwheel	1
2	40101	Set Screw	1
3	41235	Tilt Shaft	1
4	40367	Bushing	2
5	41095	Segment Gear and Worm Gear Kit (Includes items 6 - 12)	1
6	40266	Tension Pin	1
7	41564	Key	1
8	40126	Retaining Ring	1
9	40082	Set Screw	2
10	40249	Bolt	1
11	40132	Washer	1
12	40113	Nut	1
13	41091	Washer 3/4 ID x 1 - 1/4 OD	1
14	41092	Cotter Pin S.S. 3/16 x 1	1
* 15	42706	Cord Set, 120V	1
* 16	42342	Decal - Tilt	1
17	41090	Thrust Bearing	2
18	40258	Jam Nut	2
* 19	40241	Console Cover	1
* 20	40621	Console Cover Assembly (Faucet Mount), Optional	1
* 21	40496	Spacer (Faucet Mount)	1

* NOT SHOWN.

KLT 20, 40, 60, TILT CONSOLE AND PARTS



5278R0

FIGURE 3

<u>ITEM</u>	<u>Part Number</u>	<u>DESCRIPTION</u>	<u>QUANTITY</u>
** 1	43396	Console Cover	1
*	40621	Console Cover Assembly (Faucet Mount), OPTIONAL.	1
*	40496	Spacer (Faucet Mount), OPTIONAL.	1
2	40101	Set Screw	1
3	41554	Handwheel	1
4	41084	Front Bearing	1
5	42862	Tilt Shaft	1
6	42342	Tilt Label	1
7	40169	Trunnion Housing Assembly	1
8	41564	Key	1
9	40126	Retaining Ring	1
10	40075	Arm	1
11	43004	Flat Washer 3/8	As Required
12	43397	Hex Socket Cap Screw, 3/8 - 16 x 2 - 1/8	1
13	43398	Hex Socket Cap Screw, 3/8 - 16 x 1 - 1/4	8
14	41088	Chain Link	1
15	41232	Screw Jack	1
16	43399	Base Assembly	1
17	43400	Base Bracket Assembly	1
18	41083	Bearing	2
19	41474	Adjustable Foot	2
20	43401	Side Panel	1
21	40076	Truss HD Slot Screw, 10 - 32 x 1/2	10
22	40708	Terminal Block Section	2
23	40707	End Section	1
24	42013	Earth ID Tag	1
25	43003	Flat Washer #10	2

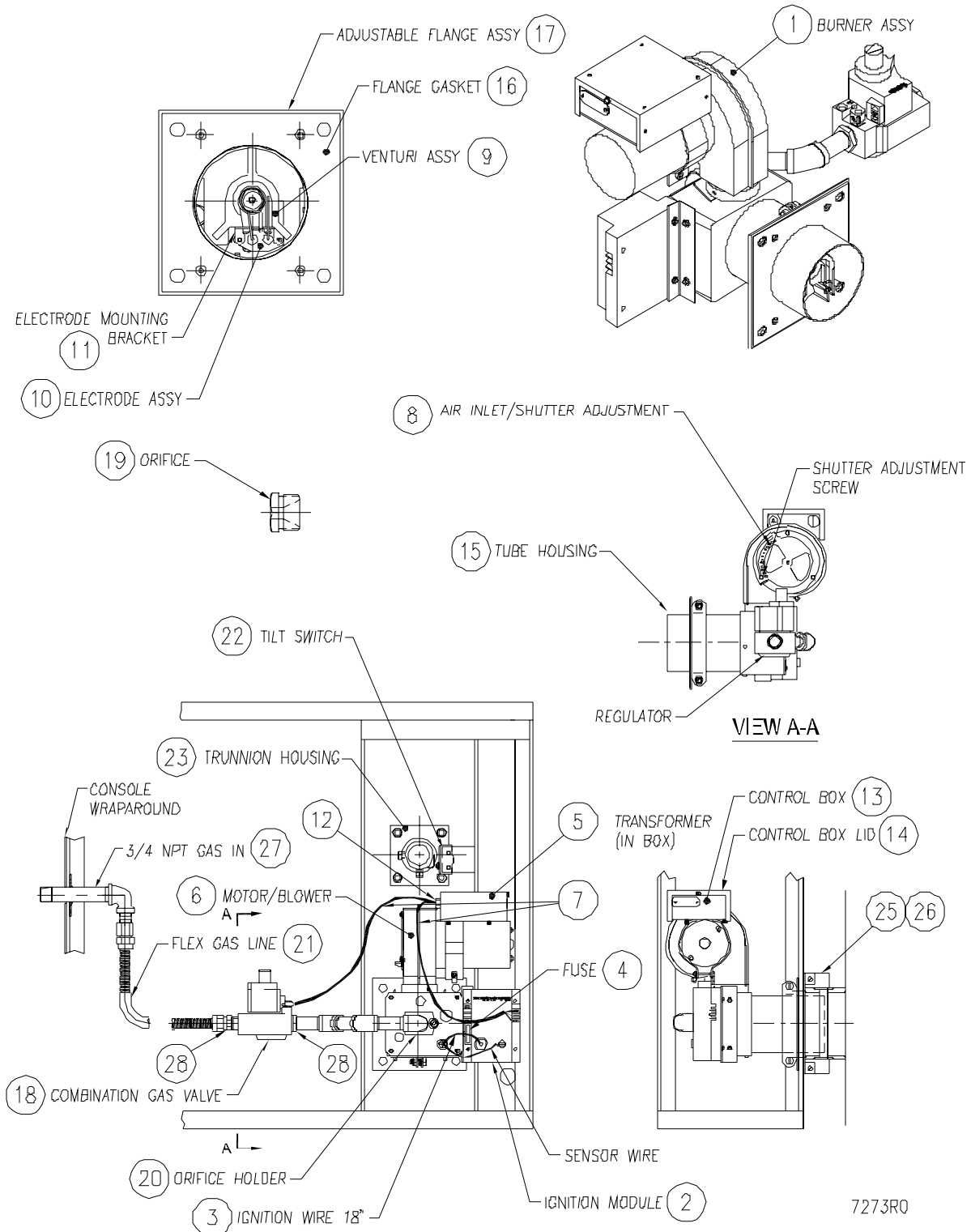
FIGURE 3

<u>ITEM</u>	<u>Part Number</u>	<u>DESCRIPTION</u>	<u>QUANTITY</u>
26	43402	Truss HD Phillips Drive, 10 - 32 x 1-1/4	2
27	43403	RD HD Slot Drive Screws 8 - 32 x 1/4	3
28	43404	External Tooth Washer # 8	3
29	43405	Pin	1
30	43406	Hex Socket Set Screw 1/4 - 20 x 1/2	1
31	43407	Lock Washer 3/8	As Required
32	40108	Hex Nut 3/8 - 16	7
33	40887	Grease Nipple, 1/8 NPT	1
34	43408	Flat Washer 5/16	2
35	40099	Hex Nut 5/16 - 18	2
36	41233	Flexible Shaft Assembly	1
37	42797	Nylon Shaft Guide	2
38	43409	Set Screw 1/4 - 28 x 3/8	1
39	43410	External Retaining Ring	1
40	43411	Key	2
41	41086	Sprocket	1
42	43412	Output Shaft	1
43	41085	Sprocket	1
44	41087	Chain	1
*	45 40730	Single Faucet 12", OPTIONAL	1
*	45 40727	Double Faucet 12", OPTIONAL	1

* NOT SHOWN.

** SELECT AS REQUIRED.

FIGURE 4



7273R0

FIGURE 4

<u>ITEM</u>	<u>Part Number</u>	<u>DESCRIPTION</u>	<u>20</u>	<u>30</u> <u>40</u>	<u>60</u>	
**	1	42589	Complete Burner Assembly, Natural Gas	1		
		42592	Complete Burner Assembly, LP Gas	1		
		42588	Complete Burner Assembly, Natural Gas		1	
		42591	Complete Burner Assembly, LP Gas		1	
		42593	Complete Burner Assembly, Natural Gas			1
		42590	Complete Burner Assembly, LP Gas			1
	2	40503	DSI Module	1	1	1
	3	42450	Ignition Wire 18"	1	1	1
	4	41861	Fuse, 250V, 3 Amp.	1	1	1
	5	40505	Transformer, 120/24V, 50/60, 30 VA	1	1	1
	6	42445	Motor/Blower, 115V/50/60 HZ	1	1	1
	7	42595	Control/Ignition Module, Wire Harness	1	1	1
	8	42981	Air Shutter Assembly	1	1	1
	9	42983	Venturi Assembly	1	1	1
	10	42449	Electrode Assembly	1	1	1
	11	42984	Electrode Mounting Bracket	1	1	1
	12	42986	Adaptor Bushing 7/8"	1	1	1
	13	42987	Control Box with Strap	1	1	1
	14	42988	Control Box Lid	1	1	1
	15	42989	Tube/Housing 6"	1	1	1
	16	42990	Flange Gasket 6-1/2" Square	1	1	1
	17	42980	Adj. Flange Assembly, 6-1/2" Square	1	1	1
	18	41107	Gas Valve (Natural/L.P.)	1	1	1
**	19	42975	Orifice #19, Natural Gas	1		
		42978	Orifice #30, L.P. Gas	1		
		42974	Orifice #13, Natural Gas		1	
		42977	Orifice #27, L.P. Gas		1	
		42979	Orifice #7, Natural Gas			1
**	19	42976	Orifice #23, L.P. Gas			1
	20	42982	Orifice Holder	1	1	1
	21	41804	Gas Flex Tube	1	1	1
	22	40938	Interlock Switch	1	1	1

FIGURE 4

<u>ITEM</u>	<u>Part Number</u>	<u>DESCRIPTION</u>	<u>20</u>	<u>30</u>	<u>60</u>
	23 40169	Trunnion Housing Assembly	1	1	1
* **	24 40242	Console Cover	1	1	1
	40243	Console Cover - Hinge Mount	1	1	1
	25 40167	Console Nozzle Assembly	1	1	1
	26 40168	Nozzle Cover	1	1	1
	27 42547	Gas Supply Pipe Assembly	1	1	1
	28 42594	Hex Bushing, 1/2 x 3/4	2	2	2

* NOT SHOWN.

** SELECT AS REQUIRED.

FIGURE 5

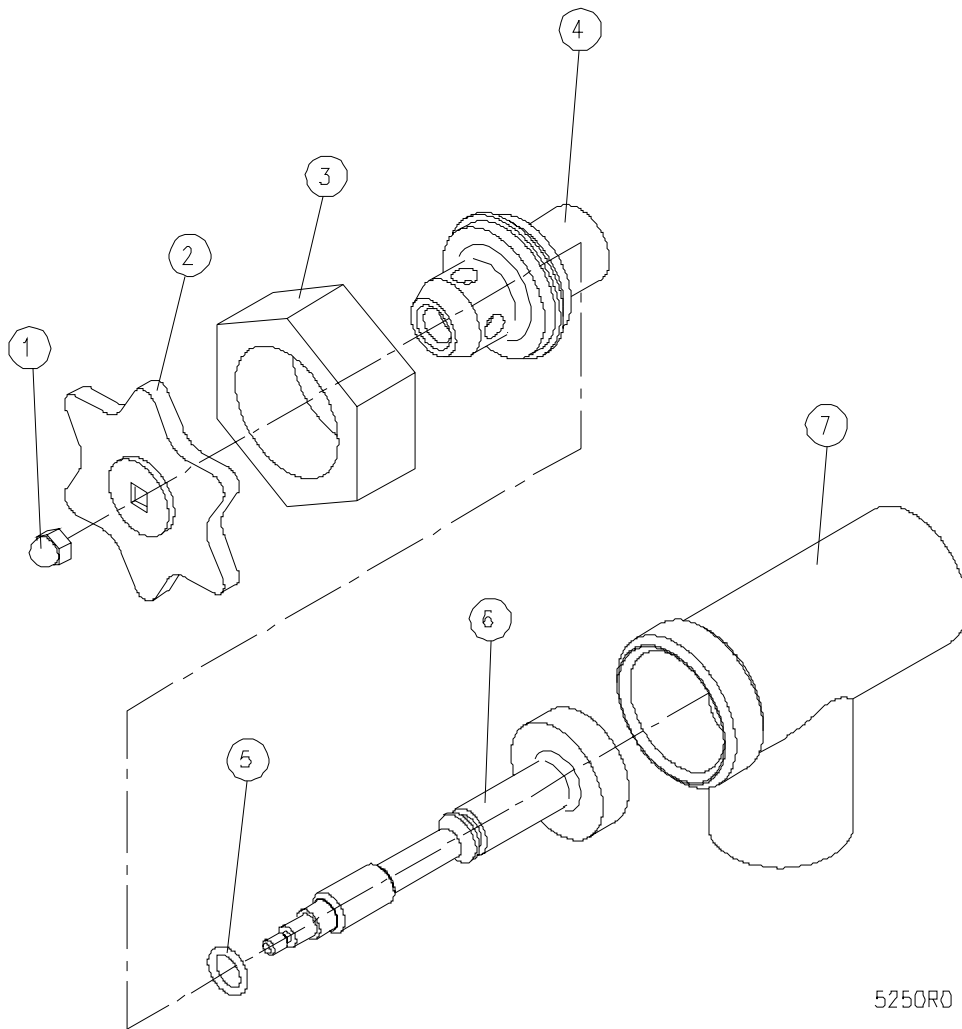
SPRING ASSIST HINGE ASSEMBLY

<u>ITEM</u>	<u>Part Number</u>	<u>DESCRIPTION</u>	<u>QUANTITY</u>	
	42112	HINGE ASSEMBLY		
1	41543	Lock Pin	1	
2	41546	End Lock Plate	1	
3	43106	Stationary Disc	1	
4	41100	Core	1	
5	41526	Spring	1	
**	6	41538	Handle Assembly (20 Gallon)	1
		41539	Handle Assembly (30, 40 Gallon)	1
		41531	Handle Assembly (60 Gallon)	1
7	43107	Rotary Disc	1	
8	41520	End Stop Plate	1	
9	40098	Cap Screws	4	
10	40259	Knob	1	
**	11	42713	Hinge Support Riser (20, 30, 40 Gal.)	1
		42714	Hinge Support Riser (60 Gal.)	1
**	12	40017	Cover, 20 Gallon Kettle	1
		41514	Cover, 30-40 Gallon Kettle	1
		41515	Cover, 60 Gallon Kettle	1

** SELECT AS REQUIRED.

FIGURE 7

DRAW-OFF VALVE



5250R0

FIGURE 7

<u>ITEM</u>	<u>Part Number</u>	<u>DESCRIPTION</u>	<u>QUANTITY</u>
	40553	1 -1/2" DRAW-OFF VALVE ASSEMBLY	
1	41809	Acorn Nut 10-24 UNC	1
2	40662	Handle, Stainless Steel	1
3	40560	Bonnet	1
4	40559	Gland Nut	1
5	40562	"O" Ring	1
6	40561	Stem Assembly	1
7	43246	Valve Body	1

<u>ITEM</u>	<u>Part Number</u>	<u>DESCRIPTION</u>	<u>QUANTITY</u>
	40554	2" DRAW OFF-VALVE ASSEMBLY	
1	41809	Acorn Nut 10-24 UNC	1
2	40662	Handle, Stainless Steel	1
3	40564	Bonnet	1
4	40563	Gland Nut	1
5	40566	"O" Ring	1
6	40565	Stem Assembly	1
7	42481	Valve Body	1

<u>ITEM</u>	<u>Part Number</u>	<u>DESCRIPTION</u>	<u>QUANTITY</u>
	40556	3" DRAW-OFF VALVE ASSEMBLY	
1	40567	Acorn Nut, 7/16 - 14 UNC	1
2	40568	Handle, Stainless Steel	1

3	40570	Bonnet	1
4	40569	Gland Nut	1
5	40572	"O" Ring	1
6	40571	Stem Assembly	1
7	43248	Valve Body	1