



**SN-3E and SN-5E**  
**ELECTRIC CONVECTION STEAMER**  
**INSTALLATION – OPERATION – MAINTENANCE**



**BLODGETT OVEN COMPANY**

[www.blodgett.com](http://www.blodgett.com)  
44 Lakeside Avenue, Burlington, Vermont 05401 USA Telephone (800) 331-5842, (802) 860-3700 Fax: (802) 864-0183

S00059 Rev B (3/06)

**IMPORTANT NOTES FOR INSTALLATION AND OPERATION**



**This is the safety alert symbol. It is used to alert you to potential personal injury hazards. Obey all safety messages that follow this symbol to avoid possible injury or death.**



**WARNING: Improper installation, operation, adjustment, alteration, service or maintenance can cause property damage, injury or death. Read the installation, operating and maintenance instructions thoroughly before installing, operating or servicing this equipment.**





**Intended for commercial use only. Not for household use.**

**This manual should be retained for future reference.**

# TABLE OF CONTENTS

<b>DESCRIPTION</b>	<b>PAGE</b>
Important Notes For Installation and Operation .....	2
Service Connection.....	4
1.0 Installation Instructions .....	5
2.0 Testing Procedures .....	9
3.0 Operation .....	10
4.0 Cleaning .....	13
5.0 Maintenance .....	14
6.0 Adjustment for High Altitude .....	15
7.0 Troubleshooting .....	16

## SERVICE CONNECTION

-  ELECTRICAL CONNECTION: Ø1 1/8" hole for electrical connection. Rating to be as specified on data plate.
-  DRAIN: 1"IPS to open floor drain. No solid connection. 24" length before open air gap opening (No bends or elbows).
-  GENERATOR WATER: 3/8" O.D. tubing at 25-50 PSI(170-345 kPa)
-  CONDENSING WATER: 3/8" O.D. tubing at 25-50 PSI(170-345 kPa)

### WATER QUALITY STATEMENT

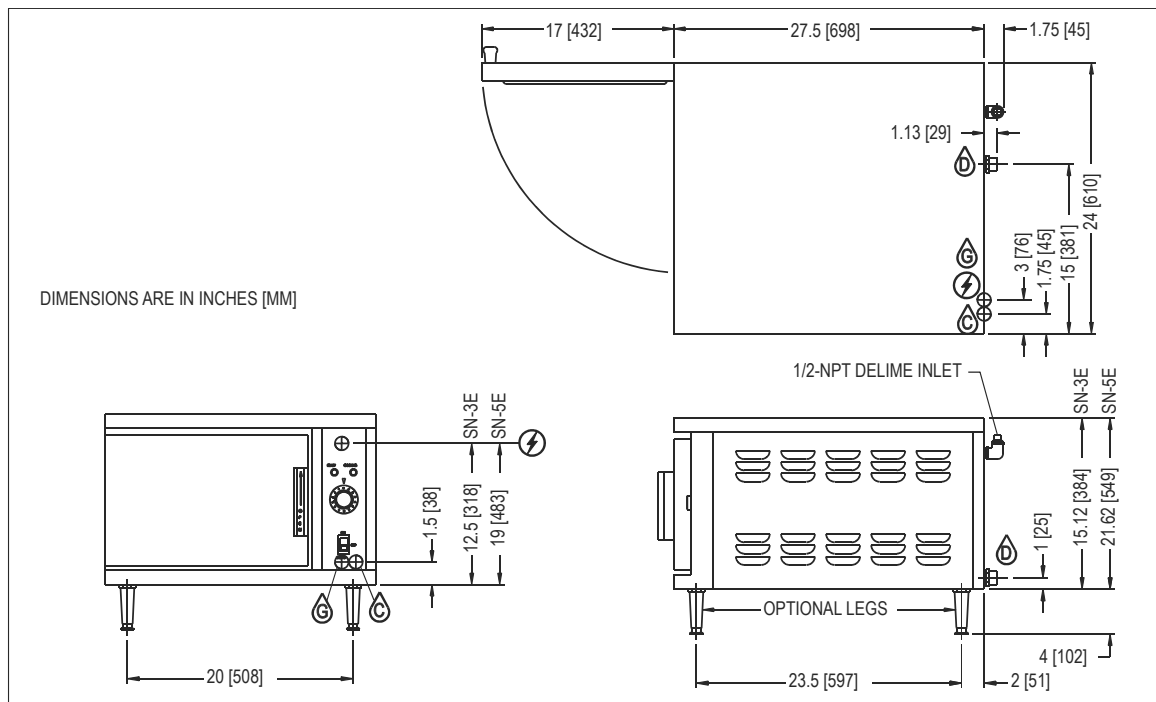
WATER QUALITY IS THE MAJOR FACTOR AFFECTING THE PERFORMANCE OF YOUR APPLIANCE. IF YOU ARE UNSURE OF WATER QUALITY, CONSULT A LOCAL WATER TREATMENT SPECIALIST AND HAVE THE WATER ANALYZED. YOUR WATER SUPPLY MUST BE WITHIN THESE GENERAL GUIDELINES:

TOTAL DISSOLVED SOLIDS	LESS THAN 60 PPM
TOTAL ALKALINITY	LESS THAN 20 PPM
SILICA	LESS THAN 13 PPM
CHLORINE	LESS THAN 1.5 PPM
pH FACTOR	7.0-8.5

WATER WHICH FAILS TO MEET THESE STANDARDS SHOULD BE TREATED BY INSTALLATION OF A WATER CONDITIONER.  
FAILURE OR MALFUNCTION OF THIS APPLIANCE DUE TO POOR WATER QUALITY IS NOT COVERED UNDER WARRANTY.

### ELECTRICAL CHARACTERISTICS

MODEL	kW	Phase	AMPS PER LINE						
			208V	220V	240V	380V	415V	480V	600V
SN-3E standard	7.5	1	36	34	31	n/a	n/a	n/a	n/a
		3	21	20	18	11	10	9	7
SN-3E option	10	1	48	46	42	n/a	n/a	n/a	n/a
		3	28	26	24	15	14	12	10
SN-5E standard	15	1	72	68	63	n/a	n/a	n/a	n/a
		3	42	39	36	23	21	18	14



## **1.0 INSTALLATION INSTRUCTIONS**

### **LOCATION**

Allow space for plumbing and electrical connections. Minimum clearances are 2" on the sides and 6" on the back for proper air circulation. Allow adequate access for operating and servicing the steamer (36" at the front of the steamer and 15" above the steamer).

### **LEGS (OPTIONAL)**

If the optional 4" adjustable legs are used, remove the four levelling feet on the bottom of the steamer.

### **LEVELING**

Using a spirit level or pan of water in bottom of steamer chamber, adjust feet to level steamer front to back and side to side. After drain is connected, check for level by pouring water onto the floor of the compartment. All water should drain through opening in rear.

### **ANCHORING STEAMER**

1. Place steamer in desired location with level counter top and mark four corners. Remove steamer and drill  $\frac{1}{2}$ " holes as indicated in Figure 1.
2. Apply a bead of RTV or other equivalent sealant around bottom perimeter edge of steamer. Failure to comply with this requirement will void the NSF label.
3. Set steamer on counter and bolt down securely with 3/8 - 16 bolts.

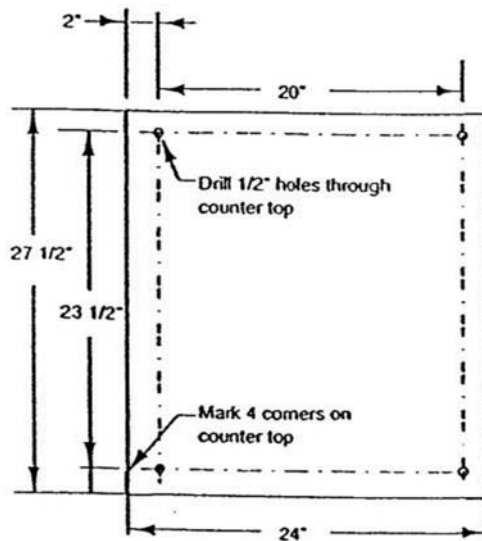


FIGURE 1

## **DRAIN CONNECTIONS**

The drain connection must be 1" IPS vertically down, preferably with one elbow only, and maximum length of 6 feet, piped to an open air gap type drain.

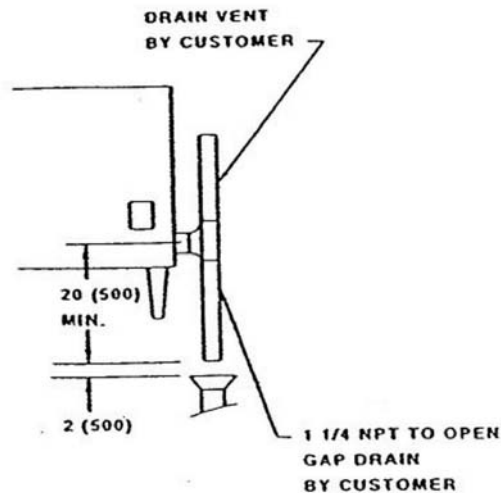


FIGURE 2



**CAUTION:** In order to avoid any back pressure in the steamer, **DO NOT** connect solidly to any drain connection.

## **WATER CONDITIONING**

It is important that the water supply connected to this steamer be softened to no more than 2.0 grains of hardness and have a pH of 6 to 7.5. This degree of hardness can be easily obtained with the use of properly maintained water softener. The use of a water meter will determine the water consumption and when the water softener needs regeneration or recharging. Failure to comply with these water condition standards may void the warranty.

Untreated water contains scale producing minerals which can precipitate onto the surfaces in the steam generator. Due to the temperatures in the steam generator, the minerals can bake onto the surfaces and components. This can result in early component failure and reduced product life.

Mineral scale on components causes several problems:

1. The surfaces of the heating devices become coated with scale, reducing the heat transfer efficiency. This can produce hot spots on the heating elements and result in premature failure.

2. The water level probes become coated with scale. Scale bridges across the probe insulator from the metal extension which senses the water level in the steam generator shell. Once this scale becomes wet, the water level control is unable to maintain the proper water level in the steam generator. This situation may cause an electric heating element to fail as a result of the element not being adequately covered by water.

Strainers and filters will NOT remove minerals from the water.

### **VENT HOOD**

Some local codes may require the steamer to be located under an exhaust hood.


Information on the construction and installation of ventilating hoods may be obtained from the standard for "Vapor Removal from Cooking Equipment," NFPA No. 96 (latest edition).

### **STACKING KITS**

Follow instructions accompanying the stacking kits for installation of stacked steamers.

### **ELECTRICAL CONNECTIONS**

	<b>WARNING: Electrical and grounding connections must comply with applicable portions of the National Electrical Code and/or other local electrical codes.</b>
--	--

	<b>WARNING: Disconnect electrical power supply and place a tag at the disconnect switch to indicate that you are working on the circuit.</b>
---	--

## **ELECTRICAL CONNECTIONS**

Use copper wire suitable for at least 200 degrees Fahrenheit (90 degrees Celsius). The steamer must be grounded. The wiring diagram is located on the right side panel as you face the steamer.

## **PLUMBING CONNECTIONS**



**WARNING: Plumbing connections must comply with applicable sanitary, safety and plumbing codes.**

There is a 3/8" copper tube water line at the rear of the unit. Should your unit have the optional split water lines, each will be marked to indicate condensate or boiler feed. The condensate feed must be cold water and the boiler feed may be either cold or hot water. Providing hot water feed to the generator will reduce recovery time during cooking.



## **2.0 TESTING PROCEDURES**



**WARNING: The steamer and its parts are hot. Use care when operating, cleaning or servicing the steamer. The cooking compartment contains live steam. Stay clear while opening door.**

Once the steamer is installed and all mechanical connections have been made, thoroughly test the steamer before operation.

1. Check that proper water, drain and electrical connections have been made.
2. Turn main power switch ON. After approximately 15 minutes, the READY light should come on, indicating that the water temperature is 205 degrees Fahrenheit.
3. When the READY light comes on, set timer to the "5 minute" position. With door open, observe that no steam is entering the compartment and that the COOKING light is OFF.
4. Close compartment door. The COOKING light should now be illuminated and steam should be heard entering the compartment after about 45 seconds.
5. Check drain line to ensure that water from cold water condenser is flowing through the drain line.
6. Open compartment door and observe that steam supply to chamber is cut off (READY light should again come on as COOKING light goes off).
7. Close compartment door and let cooking cycle finish. When the timer returns to "0" position, a buzzer will sound signalling the end of the cooking cycle. Buzzer must be manually turned off by setting the timer to its OFF position.
8. To shut down steamer, turn main power switch OFF and leave compartment door slightly open.

### **3.0 OPERATION**

Your steamer has been factory set when ON to maintain water temperature during the READY phase at approximately 205 degrees Fahrenheit (just below water boiling point).

#### **CONTROLS**

- Ready Light - when lit, indicates steam chamber has reached 205 degrees Fahrenheit and is ready for the cooking cycle.
- Cooking Light - when lit, indicates that a cooking cycle is in progress
- Timer - set the cooking time (0 to 60 minutes) - steam cooking will begin when the door is closed. The cooking cycle will be interrupted if the door is open during the cooking cycle; resume cooking by closing the door.
- Main Power Switch
- ON** - when turned ON, boiler will automatically fill with water and begin heating to READY temperature.
- OFF** - The boiler will drain.
- DELIME** - Closes the drain valve while CLR liquid is being poured into the generator during the delime procedure.

#### **OPERATION**

1. When READY light comes on, preheat compartment for about one minute when steamer is to be first used for the day or whenever the chamber is cold. Make sure compartment door is closed.
2. When buzzer sounds, set time to OFF position. Your steamer is now ready for cooking.
3. With compartment preheated and READY light ON, place pans of food into the compartment and close the door.
4. Set timer to desired cooking time. (The cooking cycle may be interrupted at any time by opening the door. To resume operation, close the door.)
5. At the end of the cooking cycle, the buzzer will sound, the COOKING light will go off and steam supply to the compartment will cease. Turn the timer to the OFF position to silence the buzzer.



**WARNING: Live steam and accumulated hot water in the compartment may be released when the door is opened.**



**WARNING: An obstructed drain can cause personal injury or property damage.**

### **SHUT DOWN**

Turn main power switch OFF. The steam generator will automatically drain.

### **CONSTANT STEAM FEATURE - OPTIONAL FEATURE**

A switch has been added to control this feature. It is located below the timer under the heading "COOKING MODE".

### **OPERATION WITH THIS FEATURE**

#### **Operation for Timed Cooking**

This switch must be positioned to the right, towards the heading "TIMED COOKING". The operator then must select the time required for the cooking by setting the timer dial to the desired time from "0 to "60" minutes. At the end of the cook time an audible buzzer will sound.

#### **Operation for Constant Steam**

The switch must be positioned to the left towards the heading "CONTINUOUS COOKING". This mode will provide continuous steam to the cooking chamber until the operator either turns the selector switch to the "TIMED COOKING" position, or turns the power switch to the "OFF" position.

### **SHUT DOWN**

Turn timer dial to the "OFF" position. Turn main power switch to the "OFF" position.

## **STEAM COOKING**

Your steamer efficiently cooks vegetables or other foods for immediate serving. Steam cooking should be carefully time controlled. Keep hot-food-holding-time to a minimum to produce the most appetizing results. Prepare small batches, cook only enough to start serving, then cook additional amounts to meet demand. Separate frozen foods into smaller pieces to allow more efficient cooking.

Use a pan cover for precooked frozen dishes that cannot be cooked in the covered containers in which they are packed if they require more than 15 minutes of cooking time. When a cover is used, approximately one-third additional cooking time is necessary.

Cooking time for frozen foods depends on amount of defrosting required. If time permits, allow frozen foods to partially thaw overnight in a refrigerator. This will reduce their cooking time.

## **PREPARATION**

Prepare vegetables, fruits, meats, seafood and poultry normally by cleaning, separating, cutting, removing stems, etc. Cook root vegetables in a perforated pan unless juices are being saved. Liquids may be collected in a solid 12 inch by 20 inch pan placed under a perforated pan. Perforated pans are used for frankfurters, wieners and similar items when juices do not need to be preserved. Solid pans are good for cooking puddings, rice and hot breakfast cereals. Vegetables and fruits are cooked in solid pans to preserve their own juices. Meats and poultry are cooked in solid pans to preserve their own juices or to retain broth. Canned foods may be heated in their opened cans (cans placed in 12 inch by 20 inch solid pans) or the contents may be poured into solid pans.

## **DRAINING THE BOILER**

Drain boiler after each day's use to flush out minerals and minimize scale build-up. The boiler drains automatically for about 6 minutes after you turn the main power switch off.

## **4.0 CLEANING**

At the end of each day, or between cooking cycles if necessary:

1. Turn main power switch OFF.
2. Remove pans and racks from compartment and wash in sink.
3. Remove drain screens from inside compartment drains. Using a plastic bottle brush and mild detergent, clean inside the drain opening ensuring there is no food residue or blockage. Clean the drain screen and replace in its original position.
4. Wash compartment interior with clean water.
5. Use warm soapy water with a cloth or sponge to clean exposed bead of door gasket, rinse with warm clear water and wipe with a dry cloth.
6. Wipe surfaces which touch door gasket with a cloth or sponge and warm soapy water, rinse with warm clear water and wipe with a dry cloth. **Do not apply food oils or petroleum solvents or lubricants directly to door gasket or surfaces which touch door gasket.**
7. Keep cooking compartment drain working freely. After cooking grease producing foods, operate steam with compartment empty for 30 minutes at end of the day, or pour ½ gallon of warm soapy water down the drain, followed by ½ gallon of warm clear water.
8. Leave door slightly open when steamer is not in use.

### **Weekly, or more often if necessary:**

Clean exterior with a damp cloth and polish with a soft dry cloth. Use a non-abrasive cleaner to remove discolorations.

## **5.0 MAINTENANCE**

### **COLD WATER CONDENSER**

The steamer is equipped with a cold water condenser in the rear of the cooking chamber which helps to condense the steam prior to discharge into the drain. The steamer freely vents itself by the negative pressure created by the condensate water drainage. This negative pressure prevents steam leakage around the door gasket and helps draw the steam through the cooking compartment. Steam leakage at the door may indicate a plugged or improperly installed drain.

### **REMOVAL OF SCALE DEPOSITS**

It is recommended that your steamer be delimed once a month, or more often if necessary.

Should your steamer develop a heavy buildup of lime scale deposits, use CLR.

Before beginning deliming procedures, ensure that water is not overflowing into the cooking compartment.

The generator tank has a removable sealed tank cover. The main purpose of the removable cover is for inspection of the interior of the tank for lime build up and easy removal of large pieces of lime that will not flush out drain. Should the tank cover have to be removed, check condition of sealing gasket before replacing cover. The hold down bolts are to be tightened to 160 inch pound torque each.



**WARNING: Read and follow instructions on the CLR bottle. Use plastic or rubber gloves to avoid skin contact. If CLR comes in contact with skin, rinse with clean water.**

1. Drain steam generator by setting the main power switch to OFF. Set cooking timer to "O".
2. Set the main power switch to DELIME.
3. Delime port (A) is located on left side at rear of unit. Unscrew hex plug from elbow to allow CLR solution to be poured in using a tube and funnel. Pour in 28 ounces of solution into the generator (pour slowly to avoid spillage). Remove tube and funnel.
4. Screw the hex plug back into the elbow so that it is sealed.
5. Turn main power switch to ON.
6. Allow steamer to remain in READY cycle for 1-1/2 hours, then turn main power switch OFF and allow generator to drain.

7. FLUSH CYCLE: Turn main power switch to ON. When READY light comes on, turn main power switch to OFF to flush generator. Repeat this step three times to completely flush generator.
8. Clean exterior and interior. Use a mild solution of soap and water. Rinse with clean cloth. Dry with soft cloth. Leave compartment door open when not in use.

The steamer is now ready for use. Turn off for overnight shutdown.



## **6.0 ADJUSTMENT FOR HIGH ALTITUDE LOCATIONS**

The steamer has been factory set so that when it is ON and during the READY phase, it will maintain water temperature in the steam generator tank at approximately 205 degrees Fahrenheit (just below water boiling point). However, for high altitude locations, an authorized servicer must adjust the steamer to achieve this temperature. To adjust:

1. Remove side panel and turn control panel power switch to ON.
2. Open compartment door, and after about 15 minutes, steam will be seen, entering the cooking compartment.
3. Turn thermostat shaft counterclockwise to lower temperature until steam just ceases to enter cooking compartment and READY light goes on.
4. Replace side panel.
5. Follow TESTING PROCEDURES in this manual.

## **7.0 TROUBLESHOOTING**

### **WATER FLOWS INTO DRAIN DURING SHUTDOWN**

When steamer is shut down and cold water is running continuously into the open drain, either or both solenoid valves did not close when steamer was turned off.

1. Disassemble solenoid valve(s) and examine for scale or foreign particles lodged in diaphragm or core tube.
2. Clean valve(s) thoroughly and reassemble, or replace valve(s).

### **WATER OVERFLOWS INTO COOKING COMPARTMENT**

When steamer is first turned on for the day, and the following conditions occur:

- READY light does not come on after about 15 minutes.
- Water begins to overflow into cooking compartment.
- Water fill solenoid valve is open.

Then any or all of these symptoms may indicate a problem with the operating probe due to either:

1. A short between the operating probe terminal and body of the steamer. Call your authorized servicer.
2. Excessive scale build-up on the operating probe. This acts as an "insulation" and prevents the probe from sensing the water level. It is therefore unable to close the water fill (solenoid) valve to shut off the water.

As a temporary solution, with power OFF, unscrew probes, check visually, and clean or chip off scalant. Replace probe.

This problem is an indication of severe harmful water conditions which should be corrected immediately to avoid damage to the components and ultimate malfunction of the steamer. (See WATER QUALITY STATEMENT on page 4 of this manual).



### **HEATER ELEMENTS DO NOT COME ON**

When the steamer is turned ON and heater elements do not activate, and the READY light does not come on, then the contactors may be burned out. If a considerable amount of “chattering” of contactors has been previously experienced, then the thermostat bulb may be coated with scalant and unable to sense water temperature in the boiler accurately, and therefore unable to control the contactors.

1. Replace contactors.
2. Unscrew thermostat bulb, clean off scalants and screw thermostat bulb back in.

This problem may be an indication of inadequate water quality and is not covered under warranty. Have water quality analysed and corrected immediately to avoid complete malfunction of the steamer.

### **UNIT SHUTS DOWN WHILE IN OPERATION**

Pressure switch has been activated due to 5 psi (34 kPa) pressure in the generator tank. Pressure in the generator tank is caused by plugged steam jet tubes or steam diverters, due to scale or poor water conditions. Steam jet tubes/steam diverter will have to be cleaned or replaced.