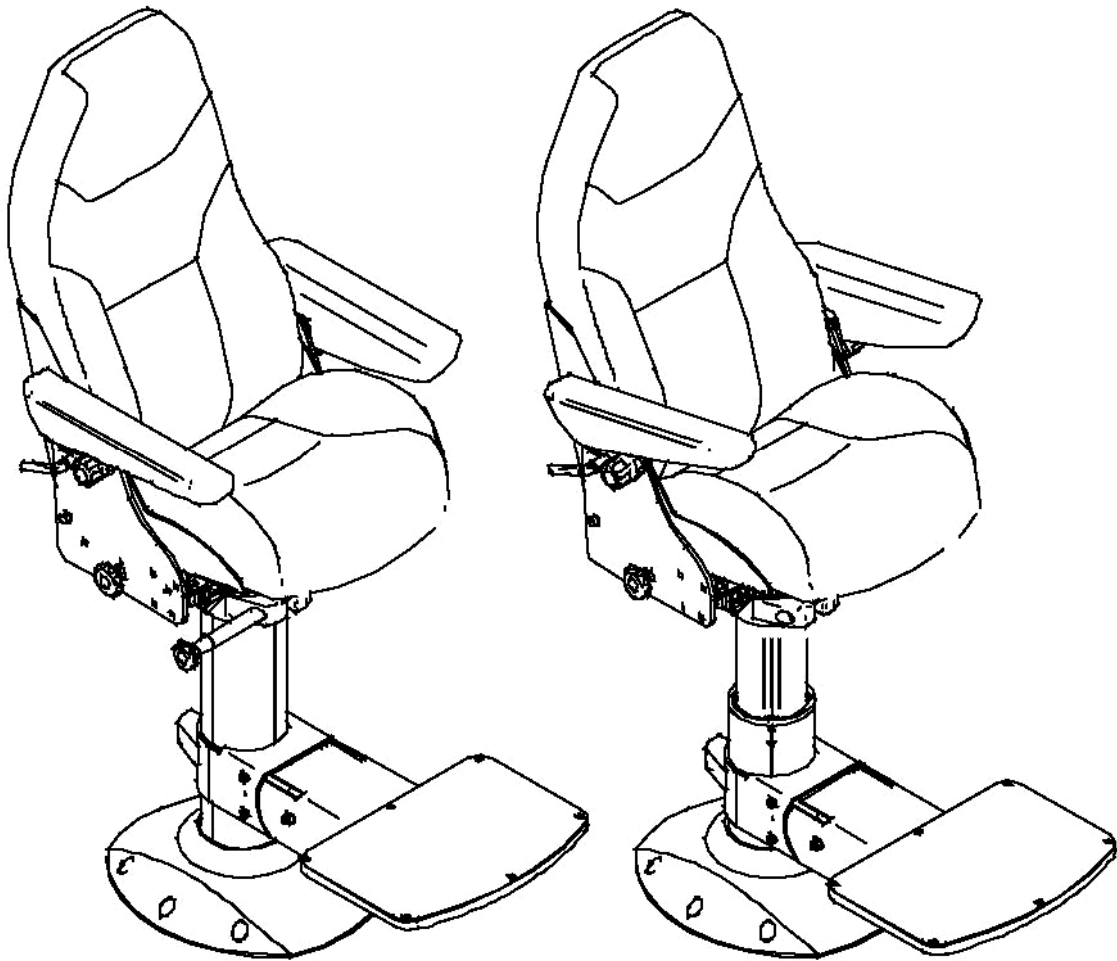


USERS MANUAL



STANDARD

COMFORT

B1 h=830/1050

B2 h=670/830

B3 h=630/730

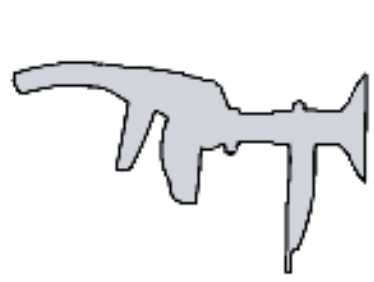
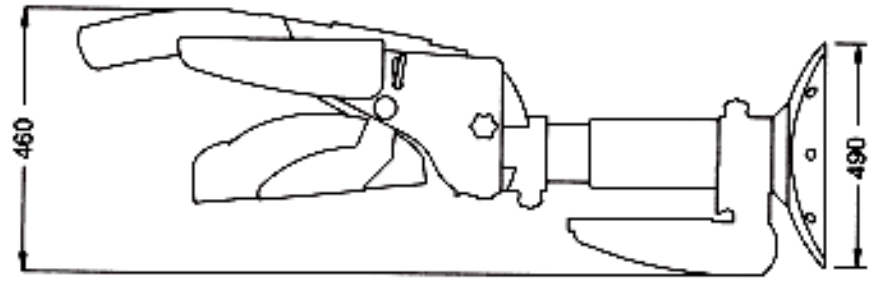
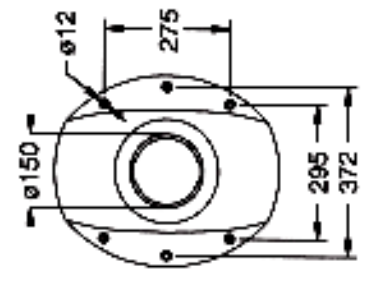
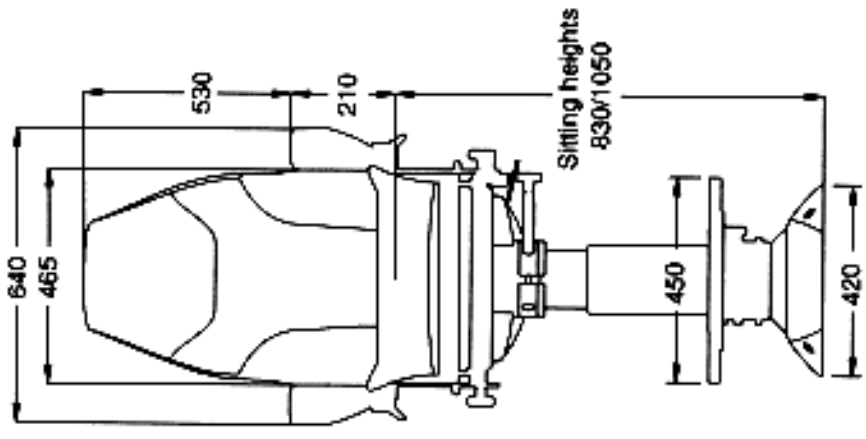
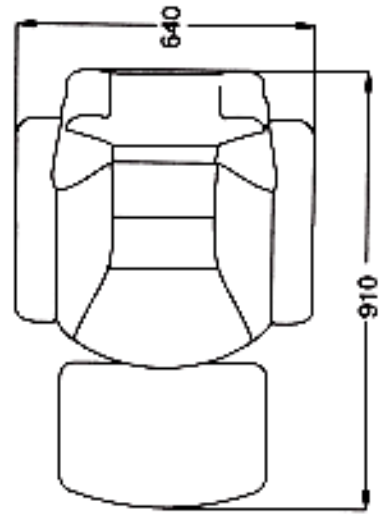
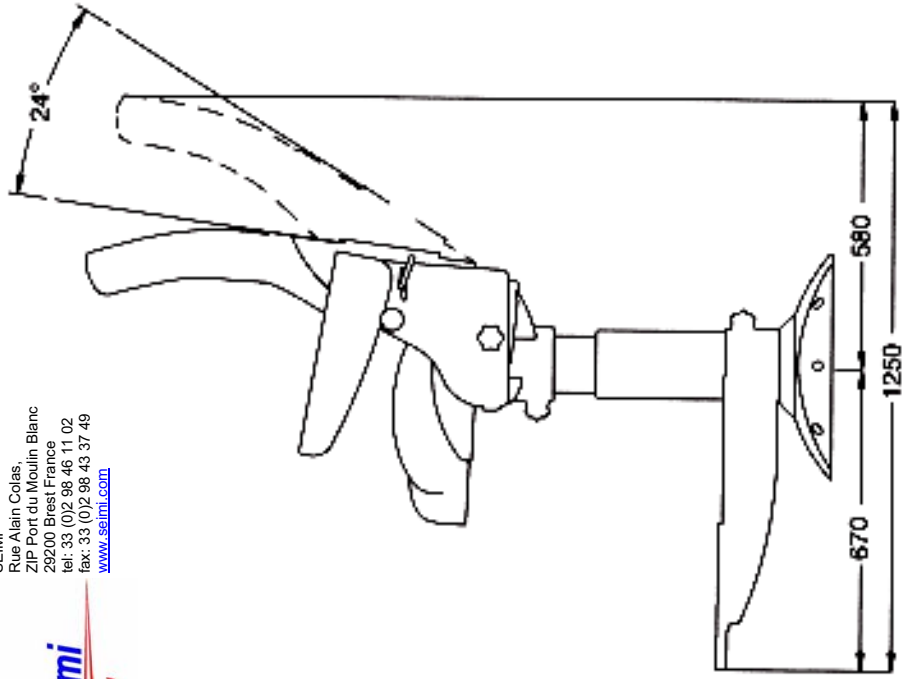
08.01.2002.



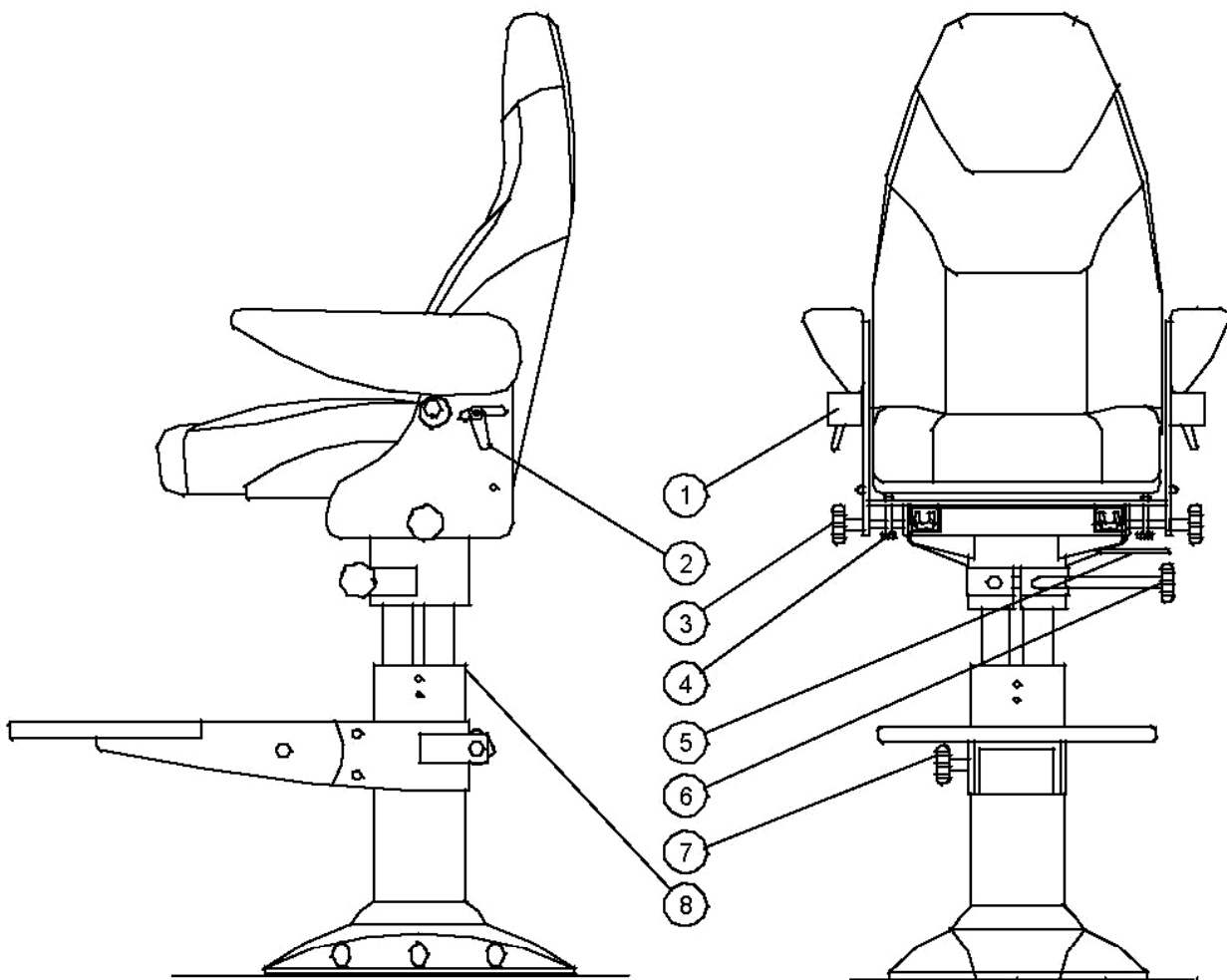
SEIMI
Rue Alain Colas,
ZIP Port du Moulin Blanc
29200 Brest France
tel: 33 (0)2 98 46 11 02
fax: 33 (0)2 98 43 37 49
www.seimi.com



SEIMI
Rue Alain Colas,
ZIP Port du Moulin Blanc
29200 Brest France
tel: 33 (0)2 98 46 11 02
fax: 33 (0)2 98 43 37 49
www.seimi.com



Sitting height: 830/1050



- ① ADJUSTABLE ECCENTRIC ARM REST
- ② ADJUSTABLE HANDLE FOR THE BACK REST ANGLE
- ③ LOCKABLE TOP GLIDE PLATE
- ④ REGULATING DEVICE FOR SEAT ANGLE
- ⑤ RELEASE HANDLE (not included on Standard mode Art.No.6400)
- ⑥ LOCKABLE ARM FOR SWING
- ⑦ LOCKABLE ARM FOR FOOT REST
- ⑧ TELESCOPE COLUMN (Constant/fixed height on Standard model Art.No.6400)

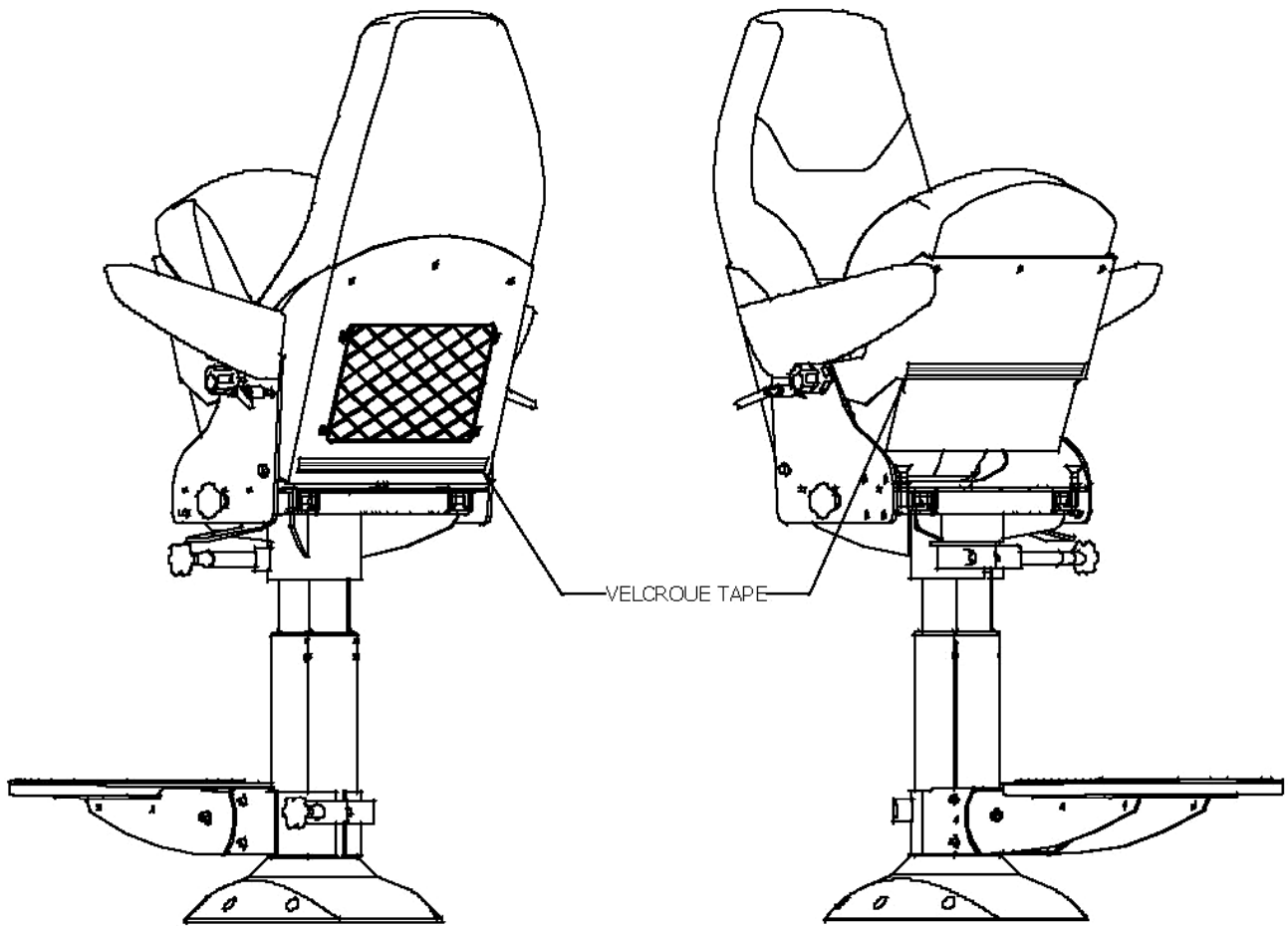
A strong and level foundation is required to secure the installation of the base. It may occur that during storage or transport that the telescope column ⑧ fastens in the lower position. This can easily be adjusted by fastening the lockable arm for swing ⑥, lift up the release handle ⑤ at the same time pull up the chair.

WEIGHT: 47KG

USERS MANUAL



SEIMI
 Rue Alain Colas,
 ZIP Port du Moulin Blanc
 29200 Brest France
 tel: 33 (0)2 98 46 11 02
 fax: 33 (0)2 98 43 37 49
www.seimi.com



SECURING SEAT COVER:

To secure seat cover, place velcroue tape on the lower back rest and underneath the seat as illustrated above.

Art.no.6470 Seat cover w/armrest in fabric.

Art.no.6451 Seat cover w/armrest in water repellent.

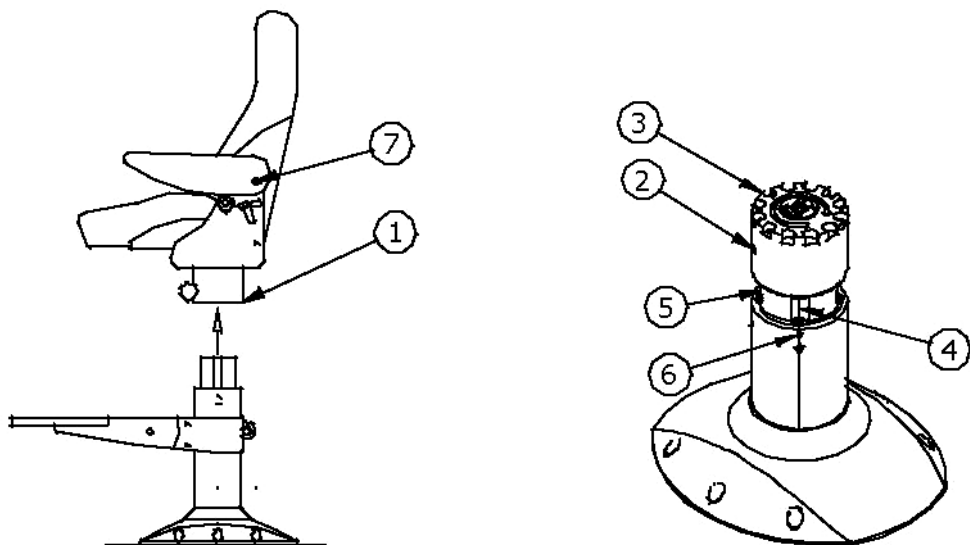
Title

SECURING SEAT COVER

Date
25.02.00.



SEIMI
Rue Alain Colas,
ZIP Port du Moulin Blanc
29200 Brest France
tel: 33 (0)2 98 46 11 02
fax: 33 (0)2 98 43 37 49
www.seimi.com



GAS SUSPENSION EXCHANGE:

Lift the seat off (1). Remove the screws (2). Lift up the cast bushing (3). The gas suspension follows. Change the gas suspension. Install the chair in the opposite order.

LUBRICATION:

The telescope column (5) has been lubricated by the producer. After some time this must be repeated. Lubricate the guiding tracks (4) with oil, teflon or silicon grease.

TIGHTENING:

After some time the telescope column (5) can become slack. This can easily be tightened by the set screws (6) use Hex. wrench key 4mm.

The arm rests (7) can be tightened or loosened by opening the zipper underneath. You can easily find the nuts. Unfasten the outer nut first, fasten the inner nut to wished firmness. Fasten the outer nut.

This sheet applies to the following NS1500 pilot chairs only;
 Art.6500 B1 H=830/1050 or spare component R-0002
 Art.6510 B2 H=670/830 or spare component R-0003
 Art.6520 B3 H=630/730 or spare component R-0004



SEIMI
 Rue Alain Colas,
 ZIP Port du Moulin Blanc
 29200 Brest France
 tel: 33 (0)2 98 46 11 02
 fax: 33 (0)2 98 43 37 49
www.seimi.com

Care and maintenance of leather

Most leather qualities have originally received one or another type of surface protection treatment. When the furniture is taken in use, grease from hand and neck will be in contact with the leather on a regular basis. Without proper cleaning the leather will over a period of time leave grease spots or discoloration's. To avoid this clean with Soft Cleaner on a regular basis, we advise once a month. Use Leather Protection Cream or a leather cream with impregnation 2-4 times a year. This will protect against spots, increase wear resistance and preserve the leathers softness. By following these instructions you will ensure a long and lasting leather quality.

- Avoid direct sunlight over a longer period of time.
- Do not place a heat source within a distance of 20-30 cm.
- Remove dust or vacuum, use Soft Cleaner once a month.
- Contact us or an authorized leather producer or Furniture Dealer for more cleaning medium or for further cleaning details.



SEIMI
Rue Alain Colas,
ZIP Port du Moulin Blanc
29200 Brest France
tel: 33 (0)2 98 46 11 02
fax: 33 (0)2 98 43 37 49
www.seimi.com