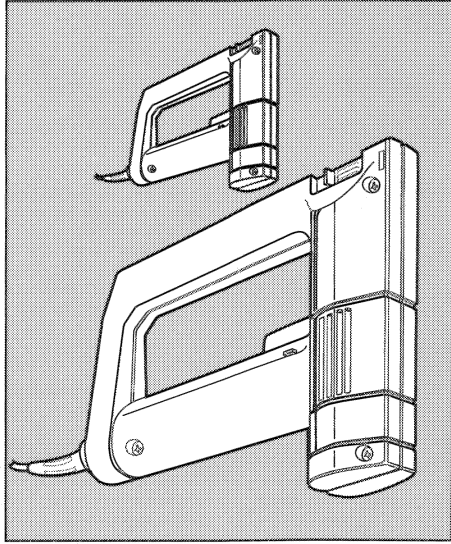


9701 Electric Flush Stapler Instruction Manual



BLACK & DECKER

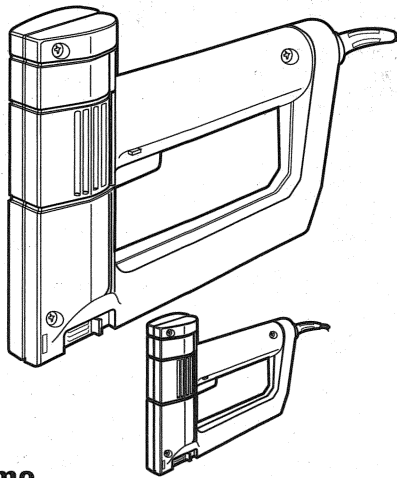
Welcome to the Wonderful World of Black & Decker Power Tools.

Your new **9701 Electric Flush Stapler** features a universal staple magazine that accepts all commonly available heavy duty staples (.050" wire) from 1/4" to 9/16" long. Controlled stapling power and the ability to flush staple up to 1/8" from any wall makes your new stapler a valuable addition to your workshop. Built in America with Black & Decker's traditional high regard for quality, your 9701 will deliver years of

dependable service.

Please take a few minutes to thoroughly read this informative instruction manual. Only with a complete understanding of your stapler's features will you be able to take advantage of your tool and its many uses. Save this manual for future use.

Don't forget to send in the owner's registration card. Thank you for selecting Black & Decker!



Form No. 741091-05
(SEP92-CD) © 1992 Printed in U.S.A.
Black & Decker (U.S.) Inc., 701 E. Joppa Road, Towson, MD 21286 U.S.A.

BLACK & DECKER



See Tools-Electric
- Yellow Pages -
for Service & Sales



This symbol on the nameplate means the product is listed by Underwriters' Laboratories, Inc.

Like most Black & Decker tools, this tool is listed by Underwriters' Laboratories to ensure that it meets stringent safety requirements.

Your nearest Black & Decker Service Center Manager. other rights which vary from state to state. Should you have any questions, contact apply to accessories. This warranty gives you specific legal rights and you may have the yellow pages for free replacement or repair at our option. This warranty does not Decker Service Center or Authorized Service Station, listed under "Tools Electric" in (proof of purchase may be required). The unit may also be returned to a Black & transportation prepaid, to the seller (if a participating retailer) for free replacement that are due to faulty material or workmanship. Please return the complete unit.

Home Use Warranty (A Full Two Year Warranty)

Black & Decker (U.S.) Inc. warrants this product for two years against any defects that are due to faulty material or workmanship. Please return the complete unit. participating retailer) or you may take it to a Black & Decker Service Center. you may return the tool to the place of purchase for a free replacement (if it is a Black & Decker's full two year home use warranty states that, in case of a defect, should be performed by Black & Decker Service Centers or other qualified service organizations, always using Black & Decker replacement parts.

Important

To assure product SAFETY and RELIABILITY, repairs, maintenance and adjustment should be performed by Black & Decker Service Centers or other qualified service organizations, always using Black & Decker replacement parts. Black & Decker's full two year home use warranty states that, in case of a defect, you may return the tool to the place of purchase for a free replacement (if it is a participating retailer) or you may take it to a Black & Decker Service Center. your owner's registration card packed with your tool.

Cleaning & Lubrication

Use only mild soap and a damp cloth to clean the tool. Many household cleaners contain chemicals which could seriously damage the plastic. Also do not use gasoline, turpentine, lacquer or paint thinner, dry cleaning fluids or similar products. Never let any liquid get inside the tool; never immerse any part of the tool into a liquid. In the unlikely event that your stapler should ever require service, take or send it to your local Black & Decker Service Center. Service Center addresses are shown on the

Important Safety Instructions

WARNING: When using Electric Tools, basic safety precautions should always be followed to reduce the risk of fire, electric shock, and personal injury, including the following:

READ ALL INSTRUCTIONS

- KEEP WORK AREA CLEAN.** Cluttered areas and benches invite injuries.
- CONSIDER WORK AREA ENVIRONMENT.** Don't expose power tools to rain. Don't use power tools in damp or wet locations. Keep work area well lit.
- GUARD AGAINST ELECTRIC SHOCK.** Prevent body contact with grounded surfaces. For example: pipes, radiators, ranges, refrigerator enclosures.
- KEEP CHILDREN AWAY.** All visitors should be kept away from work area. Do not let visitors contact tool or extension cord.
- STORE IDLE TOOLS.** When not in use, tools should be stored in dry, and high or locked-up place — out of reach of children.
- DON'T FORCE TOOL.** It will do the job better and safer at the rate for which it was intended.
- USE RIGHT TOOL.** Don't force small tool or attachment to do the job of a heavy-duty tool. Don't use tool for purpose not intended, for example, don't use circular saw for cutting tree limbs or logs.
- DRESS PROPERLY.** Do not wear loose clothing or jewelry. They can be caught in moving parts. Rubber gloves and nonskid footwear are recommended when working outdoors. Wear protective hair covering to contain long hair.
- USE SAFETY GLASSES.** Also use face or dustmask if cutting operation is dusty.
- DON'T ABUSE CORD.** Never carry tool by cord or yank it to disconnect from receptacle. Keep cord from heat, oil, and sharp edges.
- SECURE WORK.** Use clamps, or a vise to hold work. It's safer than using your hand and it frees both hands to operate tool.
- DON'T OVERREACH.** Keep proper footing and balance at all times.
- MAINTAIN TOOLS WITH CARE.** Keep tools sharp and clean for better and safe performance. Follow instructions for lubricating and changing accessories. Inspect tool cords periodically and if damaged have repaired by authorized service facility. Inspect extension cords periodically and replace if damaged. Keep handles dry, clean and free from oil and grease.
- DISCONNECT TOOLS.** When not in use, before servicing, and when changing accessories, such as blades, bits, cutters.
- REMOVE ADJUSTING KEYS AND WRENCHES.** Form habit of checking to see that keys and adjusting wrenches are removed from tool before turning it on.
- AVOID UNINTENTIONAL STARTING.** Don't carry plugged-in tool with finger on switch. Be sure switch is off when plugging in.
- OUTDOOR USE EXTENSION CORDS.** When tool is used outdoors, use only extension cords intended for use outdoors and so marked.
- STAY ALERT.** Watch what you are doing. Use common sense. Do not operate tool when you are tired.
- CHECK DAMAGED PARTS.** Before further use of the tool, a guard or other part that is damaged should be carefully checked to determine that it will operate properly and perform its intended function. Check for alignment of moving parts, binding of moving parts, breakage of parts, mounting, and any other conditions that may affect its operation. A guard or other part that is damaged should be properly repaired or replaced by an authorized service center unless otherwise indicated elsewhere in this instruction manual. Have defective switches replaced by authorized service center. Do not use tool if switch does not turn it on and off.
- DO NOT OPERATE** portable electric tools near flammable liquids or in gaseous or explosive atmospheres. Motors in these tools normally spark, and the sparks might ignite fumes.

Safety Rules for Staplers

- DO NOT ATTEMPT TO DRIVE STAPLES WITHOUT FIRMLY ENGAGING THE WORK SURFACE.
- UNLOAD STAPLES BEFORE STORAGE.

CAUTION: When stapling into walls, floors or wherever "live" electrical wires may be encountered, DO NOT TOUCH ANY METAL PARTS OF THE TOOL! Hold the tool only by the plastic handle to prevent electrical shock if you staple into a "live" wire.

Double-Insulation

Your Stapler is **DOUBLE-INSULATED** to give you added safety. This means that it is constructed throughout with **TWO** separate "layers" of electrical insulation or one **DOUBLE** thickness of insulation between you and the tool's electrical system.

Tools built with this improved insulation system are not intended to be grounded. As a result, your tool is equipped with a two-pronged plug which permits you to use any conventional 120 volt electrical outlet without concern for maintaining a ground connection.

NOTE: DOUBLE-INSULATION does not take the place of normal safety precautions when operating this tool. The improved insulation system is for added protection against injury resulting from a possible electrical insulation failure within the tool.

CAUTION: When servicing Double-Insulated Tools, **USE ONLY IDENTICAL REPLACEMENT PARTS.** Replace or repair damaged cords.

Power Supply

Make sure that your power supply agrees with the nameplate marking on your stapler. Your stapler was designed to operate on 120 Volts AC Only. This means standard 120 volt household power. All Black & Decker tools are factory tested, if this tool does not operate, check the power supply.

Extension Cords

Double-Insulated tools have 2 wire cords, and can be used with 2 wire or 3 wire extension cords. Only round jacketed extension cords should be used, and we recommend that they be listed by Underwriters' Laboratories (U.L.). If the extension will be used outside, the cord must be suitable for outdoor use. Any cord marked as outdoor (the letters "WA" on the cord jacket indicate a cord recommended for outdoor use) can also be used for indoor work.

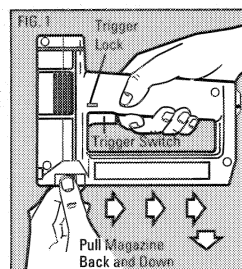
An extension cord must have adequate wire size (AWG or American Wire Gauge) for safety, and to prevent loss of power and overheating. The smaller the gauge number of the wire the greater the capacity of the cable, that is 16 gauge has more capacity than 18 gauge. When using more than one extension cord to make up the total length, be sure each individual extension contains at least the minimum wire size.

MINIMUM WIRE GAUGE REQUIREMENTS FOR THIS STAPLER:
UP TO 25 FEET — 16 GAUGE
UP TO 50 FEET — 14 GAUGE

Before using an extension cord inspect it for loose or exposed wires, damaged insulation, and defective fittings. Make any needed repairs or replace the cord if necessary. Black & Decker has extension cords available that are U.L. listed for outdoor use.

Loading Staples (UNPLUG Stapler From Power Supply)

- Grasp the stapler as shown in **Figure 1** and pull the magazine **back and down** as indicated by the arrows. This will unlock and open the magazine.
- Load the staples as shown in **Figures 2 and 3**.
- Close the magazine by swinging it up into place and pulling it back as you did in **Figure 1**. When released, it will lock itself automatically.



Trigger Switch

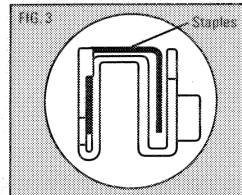
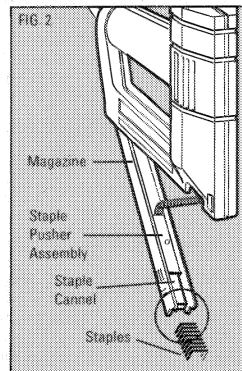
The trigger switch is located on the underside of the handle, as shown in **Figure 1**. A staple will be driven each time the trigger switch is depressed. **NOTE:** The switch must be released after each staple.

MAKE SURE YOUR FINGER IS NOT DEPRESSING THE TRIGGER SWITCH WHEN PLUGGING THE TOOL INTO THE POWER SUPPLY. THIS WILL CAUSE THE STAPLER TO FIRE IMMEDIATELY.

Trigger Lock

Your stapler is equipped with a trigger lock to prevent accidental firing. It is located just above the trigger switch as shown in **Figure 1**. To unlock the trigger, push the lock button to the right until it's flush with the stapler body. To lock the trigger, push the lock button (from the right side of the tool) to the left.

DO NOT ATTEMPT TO DISABLE OR OVERRIDE THE TRIGGER LOCK IN ANY WAY.



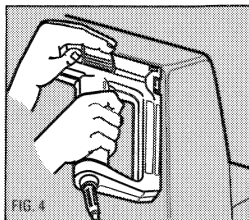
Controlled Power

Your stapler has been engineered to deliver the optimum power for each stroke in practically any material. What this means is that when you're working with hard materials, the tool has plenty of power to drive most staples flush to the surface. When you're working with soft fabric or plastic foam, the stapler will drive staples flush to the surface but no deeper. Material is held firmly but not torn through.

Stapling

Hold the stapler as shown in **Figure 4** with one hand holding the handle and the other hand pressing firmly down on the top of the tool to hold the base against the material being stapled.

If you find that the tool is not driving the staples fully into the wood, use a shorter length staple. Generally speaking, the optimum staple length is the longest that the stapler will fully seat.

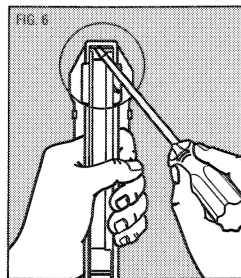
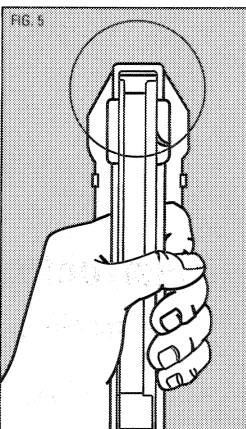


Jamming

In the event that your stapler should ever become jammed, it's a very simple task to clear the jam and continue the job.

Follow the steps below to clear a jammed stapler.

- UNPLUG** the stapler.
- Closely examine the underside of the tool and compare it to **Figure 5**. If the striker is stuck down as shown in **Figure 5**, gently push it back in with a screwdriver as demonstrated by **Figure 6**.
- If the striker is not stuck down and the stapler is jammed, a staple must be misaligned in the magazine. Clear the stapler by opening the magazine and removing any misaligned or jammed staple.
- Close the magazine and continue working.



Staples

For best results, the use of Black & Decker staples is recommended. However, your stapler has been designed to accept most major brands of staples that are commonly available.

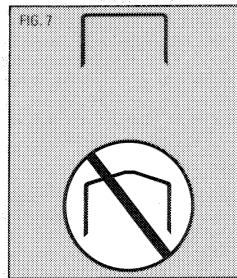
The accessories and fasteners listed in this manual are available at additional cost from your local dealer or Black & Decker Service Center.

If you need assistance in locating any accessory or fastener, please contact: Black & Decker (U.S.) Inc., User Services Dept., Black & Decker (U.S.), Inc. 701 E. Joppa Rd. Towson, MD 21286

Recommended accessories and fasteners for use with your tool are listed below. **CAUTION:** The use of any other accessory or attachment might be hazardous or cause damage to the tool.

A few staple manufacturers produce staples like the one shown in **Figure 7**. Your stapler will drive these staples but they will not feed properly and their use is not recommended.

For best results, use only Black & Decker staples. Black & Decker makes staples in five different leg lengths and three widths. All of them fit in your 9701 Stapler.



STAPLES (Box of 1,000)
.50" WIDE .050" WIRE
 1/4" H-Duty Staple
 5/16" H-Duty Staple
 3/8" H-Duty Staple
 1/2" H-Duty Staple
 9/16" H-Duty Staple
 9/16" Ceiling Tile Staple
.42" WIDE (also fit Arrow Staplers) .050" WIRE
 1/4" H-Duty Staple
 5/16" H-Duty Staple
 3/8" H-Duty Staple
 1/2" H-Duty Staple
 9/16" H-Duty Staple
 9/16" Ceiling Tile Staple
.52" WIDE (also fit Swingline Staplers) .050" WIRE
 1/4" H-Duty Staple
 5/16" H-Duty Staple
 3/8" H-Duty Staple
 1/2" H-Duty Staple
 9/16" H-Duty Staple
 9/16" Ceiling Tile Staple

CAUTION: THE USE OF ANY OTHER FASTENERS MIGHT BE HAZARDOUS. We strongly recommend that Safety Glasses be worn when using this tool.