

**SPLIT TYPE
ROOM AIR CONDITIONER
CEILING type (60Hz)**

**SERVICE
MANUAL**



Models

Indoor unit

Outdoor unit

ABU36RSLX

AOU36RLX

CONTENTS

SPECIFICATIONS	1
OUTLINE AND DIMENSIONS	2
REFRIGERANT SYSTEM DIAGRAM	4
CIRCUIT DIAGRAM	5
INDOOR PCB CIRCUIT DIAGRAM	7
OUTDOOR PCB CIRCUIT DIAGRAM	8
ERROR DISPLAY	11
DISASSEMBLY ILLUSTRATION	13
PARTS LIST	21
STANDARD ACCESSORIES	23

SPECIFICATIONS

TYPE	COOLING & HEATING
INDOOR UNIT	ABU36RSLX
OUTDOOR UNIT	AOU36RLX
COOLING CAPACITY	34,100 / 33,500 BTU / h
HEATING CAPACITY	38,200 / 37,600 BTU / h

ELECTRICAL DATA

POWER SOURCE	230 V / 208 V	
FREQUENCY	1 ϕ 60Hz	
RUNNING CURRENT	COOLING	18.3 A / 19.5 A
	HEATING	15.6 A / 17.3 A
INPUT WATTS	COOLING	4.22 kW / 4.08 kW
	HEATING	3.60 kW / 3.60 kW
E.E.R.	COOLING	2.37 / 2.40 kW/kW
	HEATING	3.11 / 3.06 kW/kW
MOISTURE REMOVAL	3.5 L/hr	
AIR CIRCULATION	1,850 m ³ /hr	

COMPRESSOR

TYPE	Hermetic type, 4 poles, Inverter, Twin rotary
DISCRIMINATION	TNB220FPBM9
REFRIGERANT	R410A 4 lb 14 oz (2,200g)

FAN MOTOR

POWER SOURCE	230 V	
INDOOR UNIT	DISCRIMINATION	MFA-45DZM
	HIGH-SPEED	Cool 1,100 r.p.m. / Heat 1,100 r.p.m.
	MED-SPEED	Cool 1,000 r.p.m. / Heat 900 r.p.m.
	LOW-SPEED	Cool 850 r.p.m. / Heat 750 r.p.m.
OUTDOOR UNIT	DISCRIMINATION	MFE-45ROM
	HIGH-SPEED	Cool 850 r.p.m. / Heat 900 r.p.m.

DIMENSIONS

INDOOR UNIT	H x W x D	9-1/2" x 65-1/2" x 27-5/8" inch 240 x 1,660 x 700 mm
OUTDOOR UNIT	H x W x D	32-3/4" x 35-1/2" x 13" inch 830 x 900 x 330 mm

WEIGHT

INDOOR UNIT	Net / Gross	48 kg / 61 kg
OUTDOOR UNIT	Net / Gross	64 kg / 70 kg

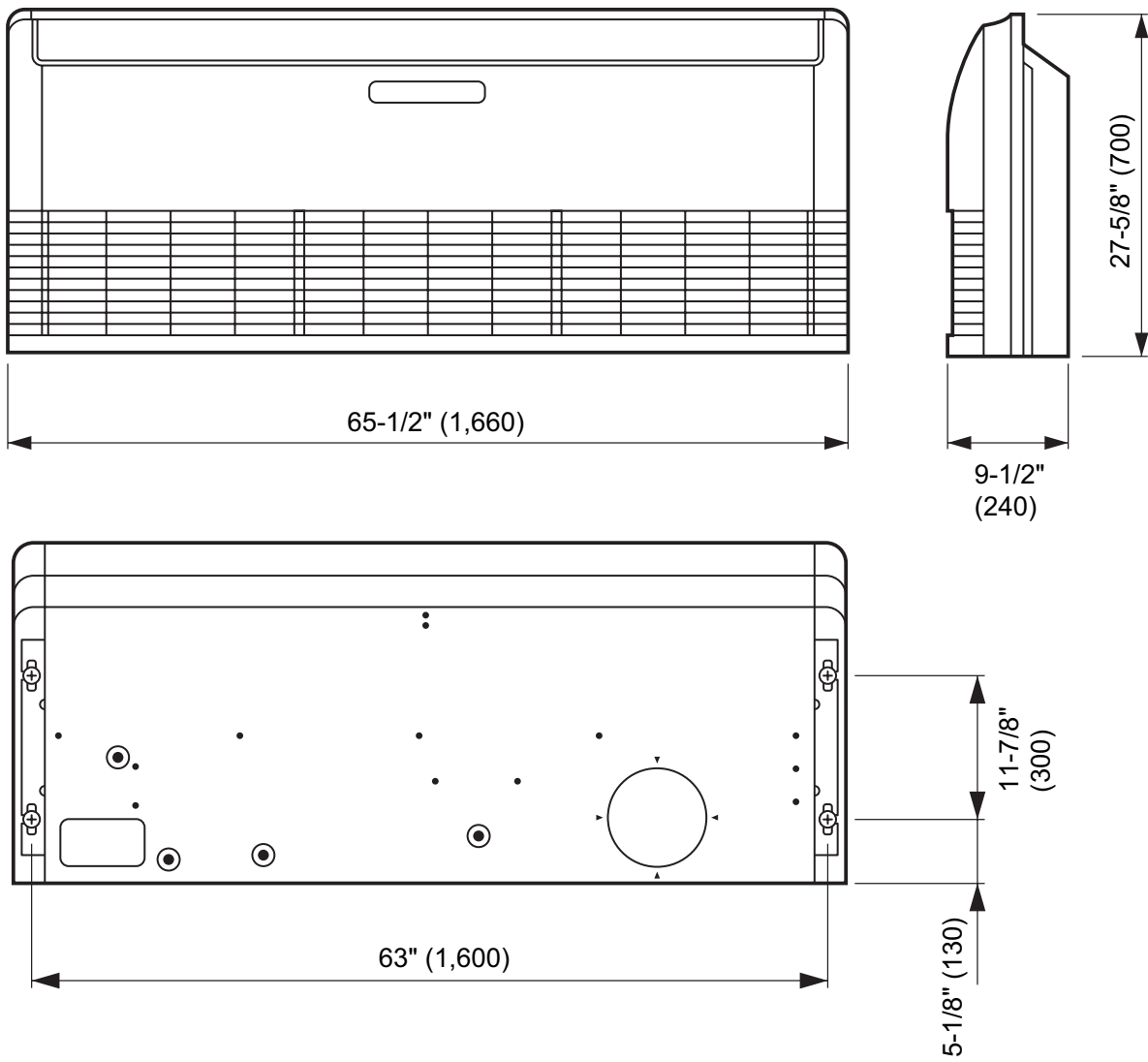
ADDITIONAL REFRIGERANT CHARGE (R410A)

FULL CHARGE AMOUNT	Pipe Length	49 ft. (15 m)	4 lb 14 oz (2,200 g)
		66 ft. (20 m)	5 lb 5 oz (2,400 g)
		98 ft. (30 m)	6 lb 3 oz (2,800 g)
		131 ft. (40 m)	7 lb 1 oz (3,200 g)
		164 ft. (50 m)	7 lb 15 oz (3,600 g)
ADDITIONAL CHARGE			0.43 oz / ft. (40 g / m)

OUTLINE AND DIMENSIONS

INDOOR UNIT
Model : ABU36RSLX

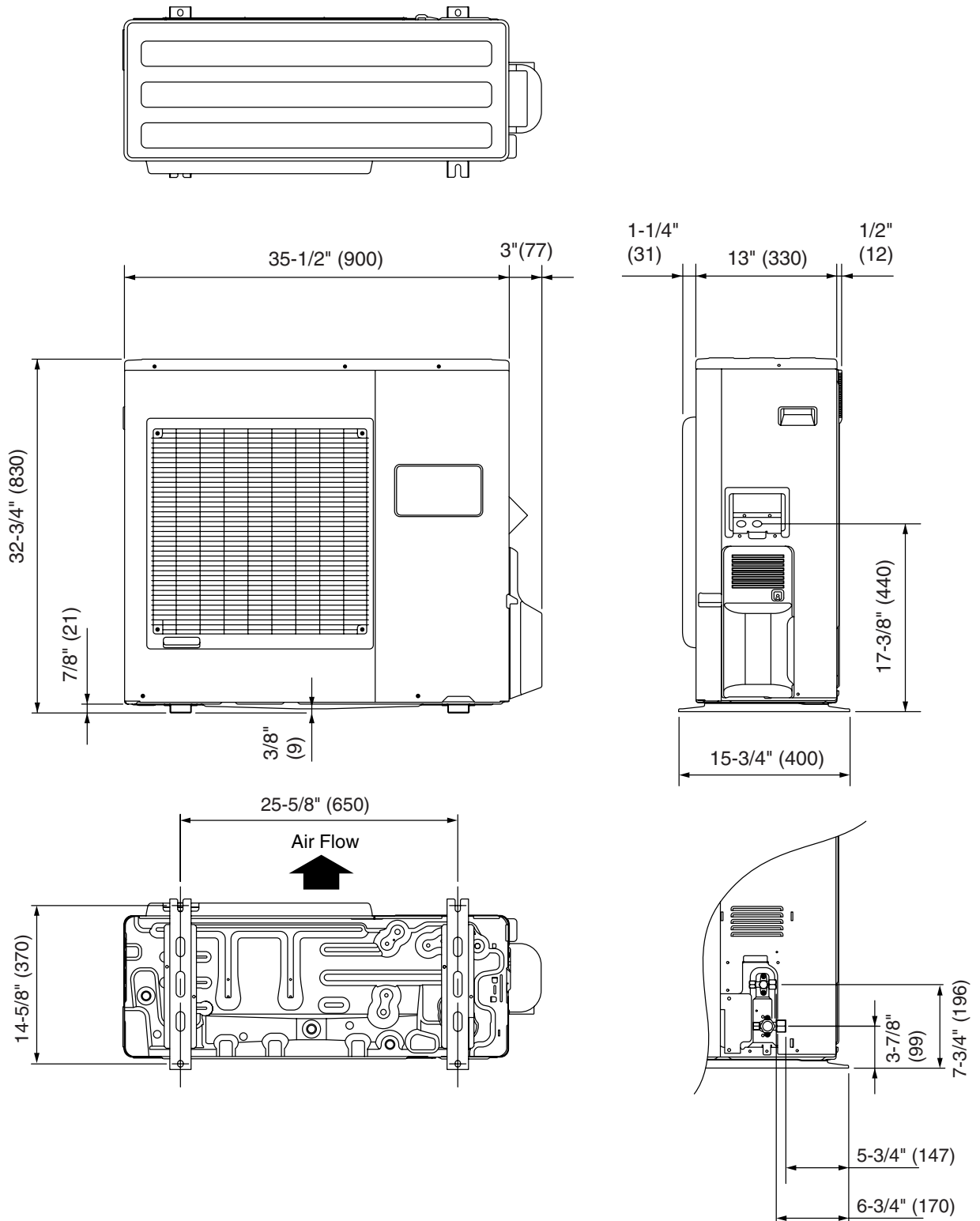
Unit : inch (mm)



OUTDOOR UNIT

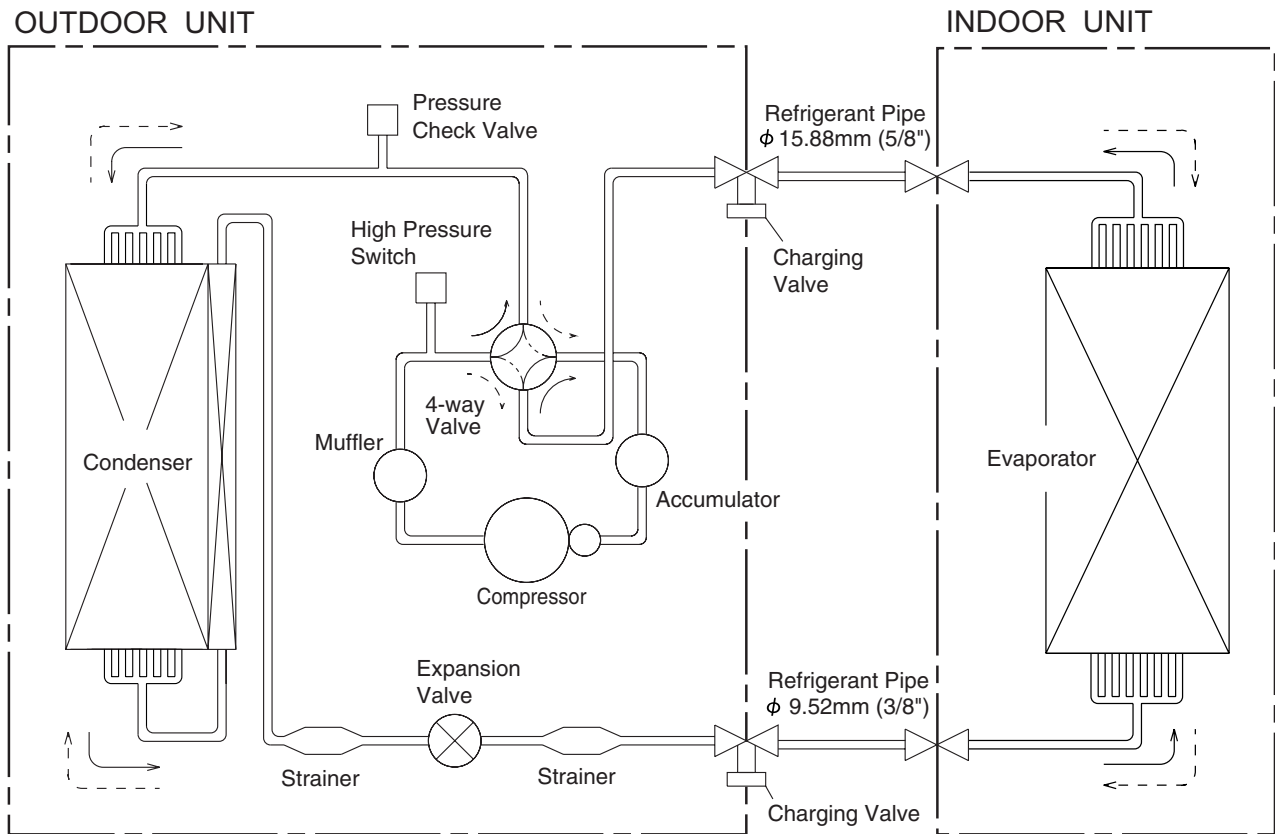
Models : AOU36RLX

Unit : inch (mm)



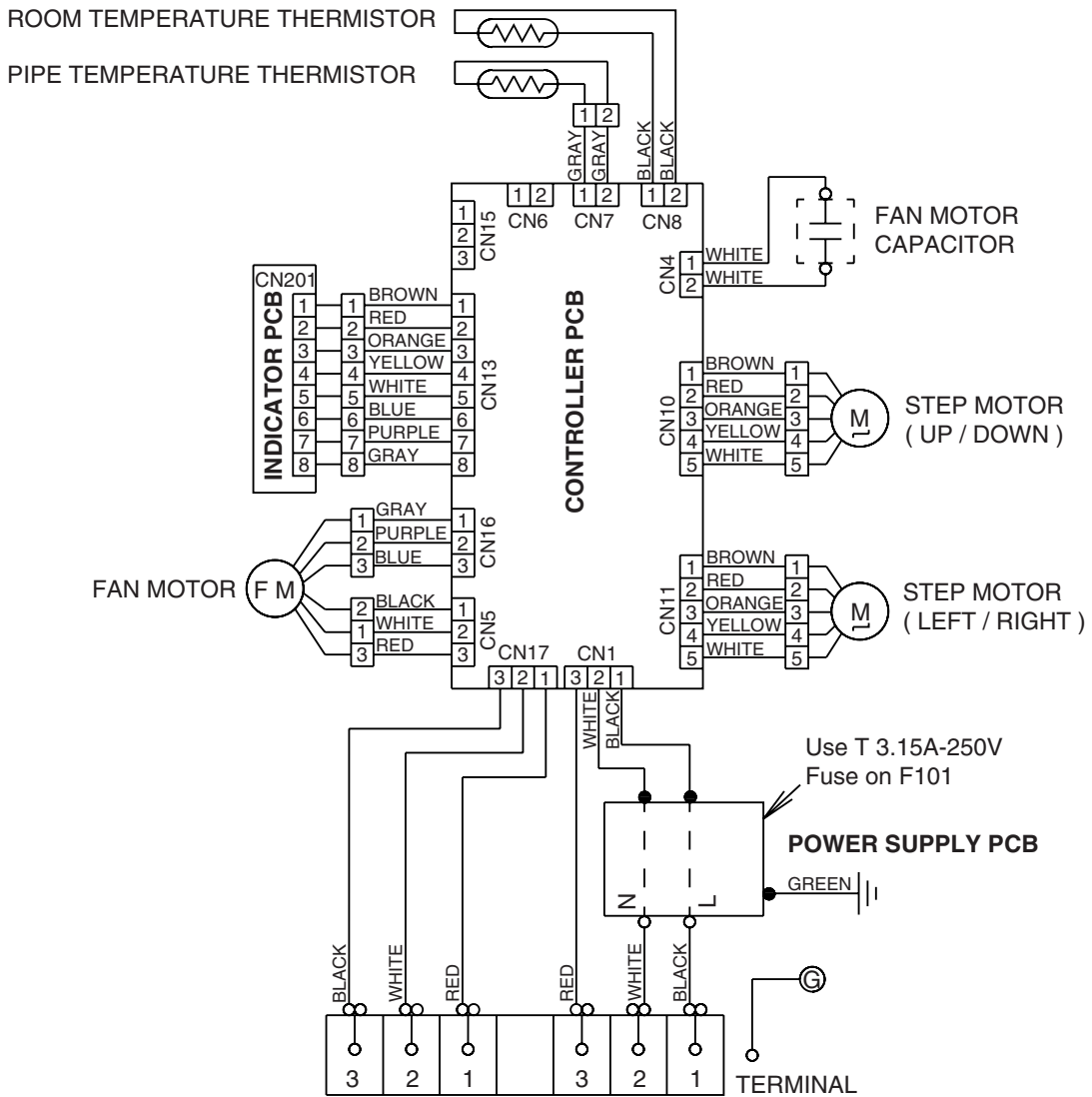
REFRIGERANT SYSTEM DIAGRAM

Models : ABU36RSLX / AOU36RLX

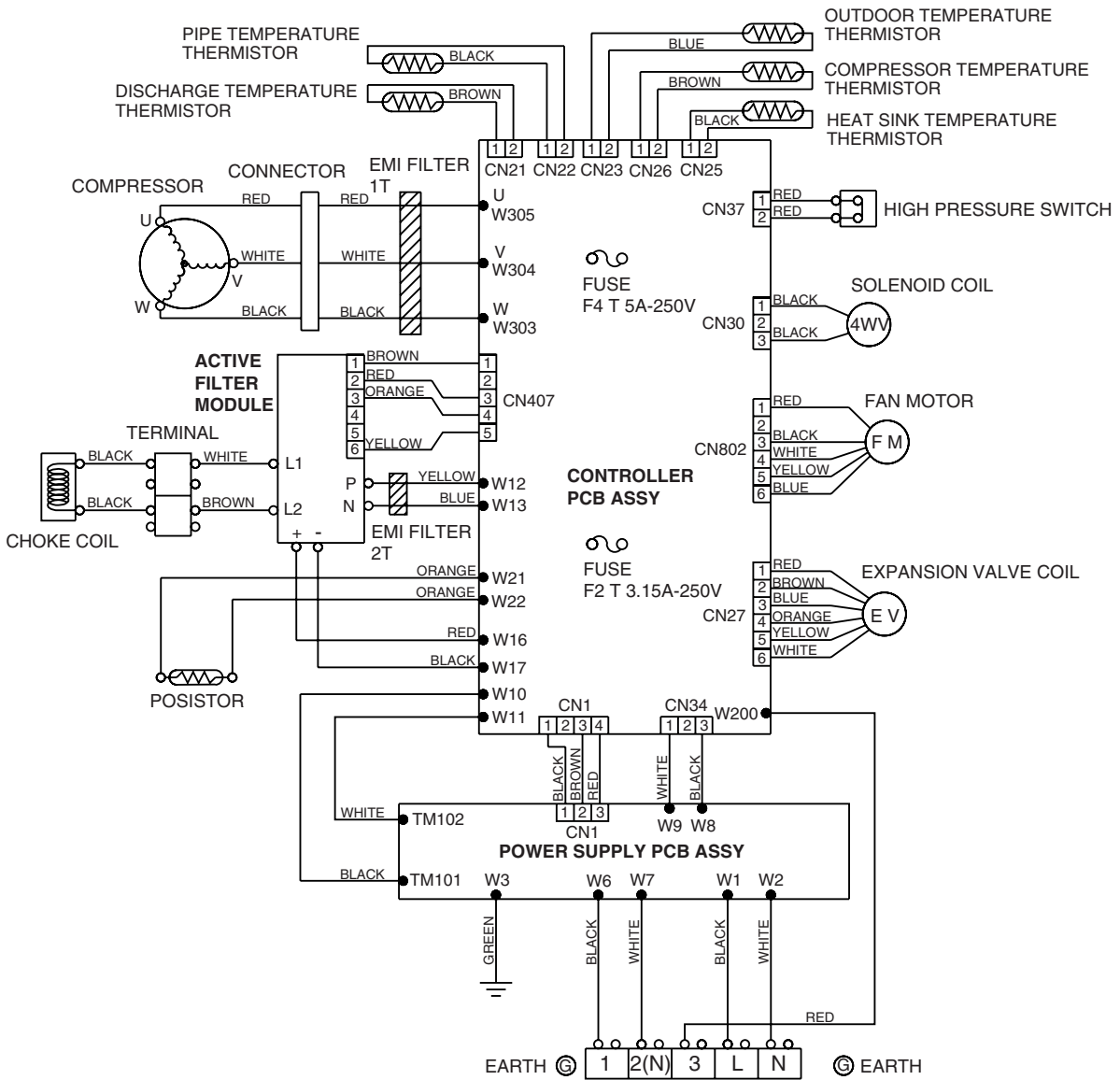


CIRCUIT DIAGRAM

Model : ABU36RSLX



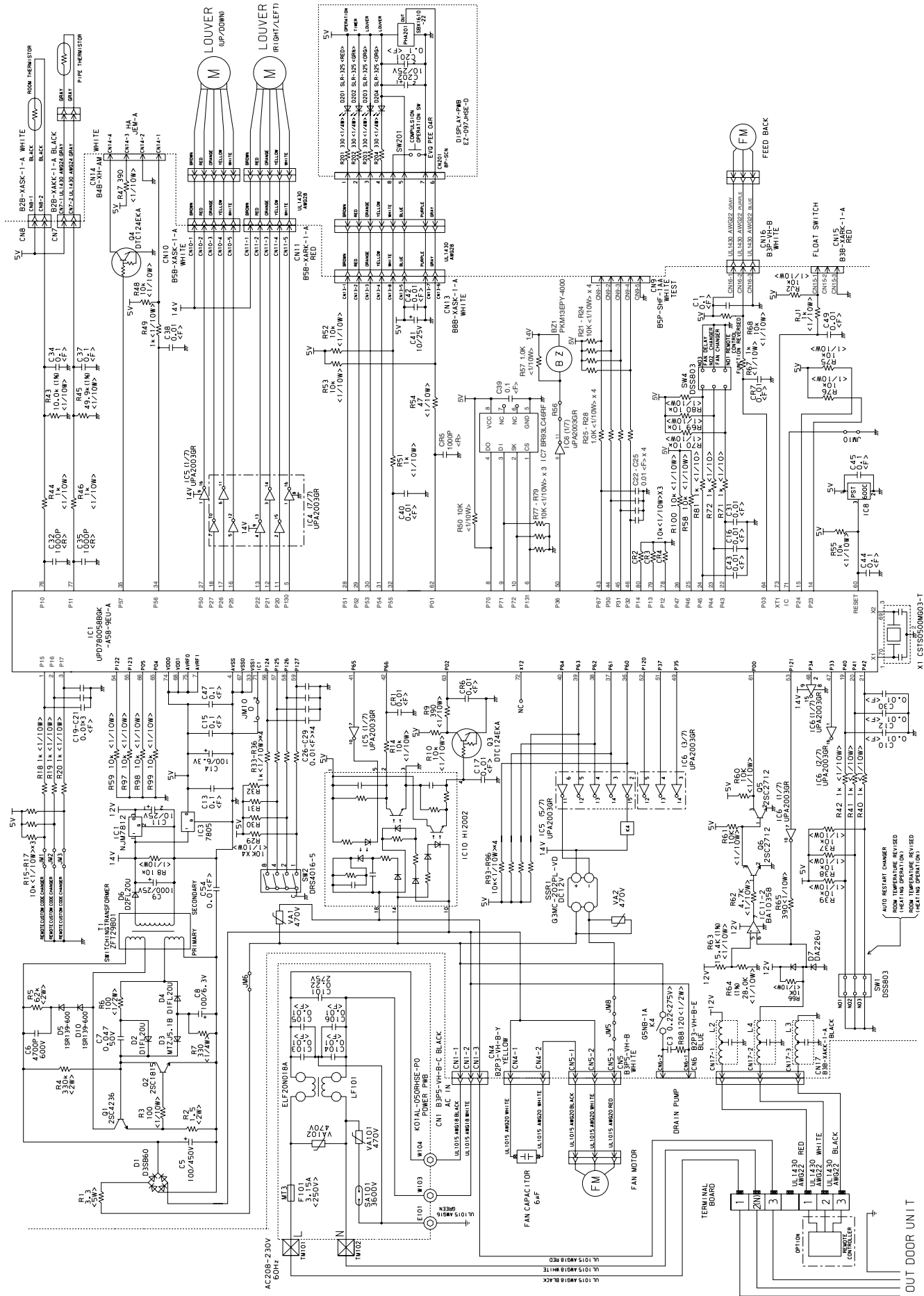
Model : AOU36RLX



INDOOR PCB CIRCUIT DIAGRAM

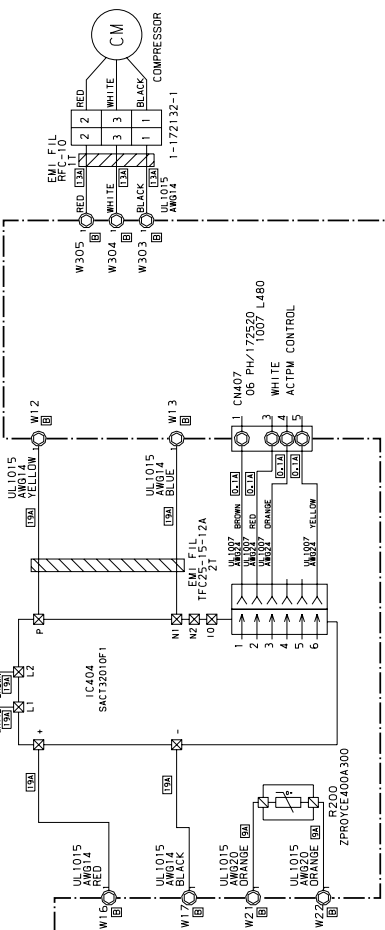
Model : ABU36RSLX

CONTROLLER PCB ASSEMBLY (MAIN PCB) K01AL-050RHS-C1

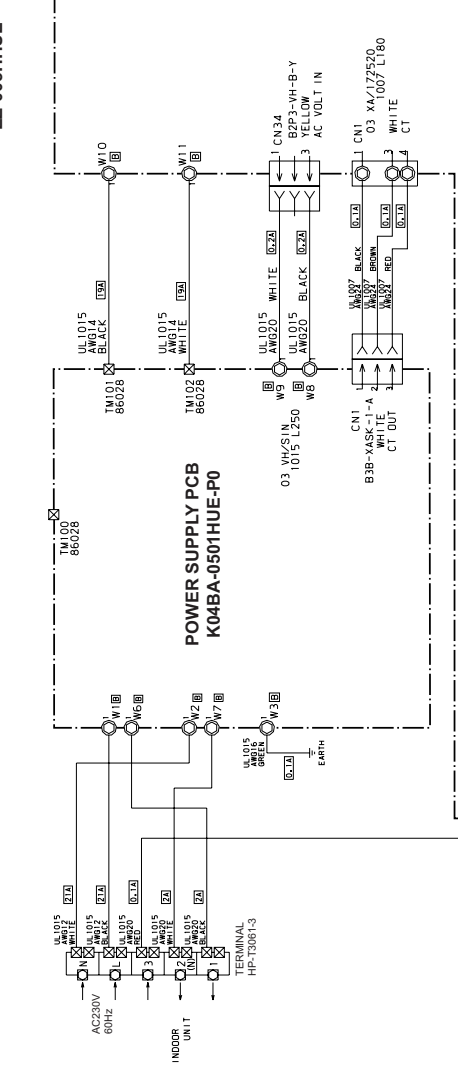


Model : AOU36RLX

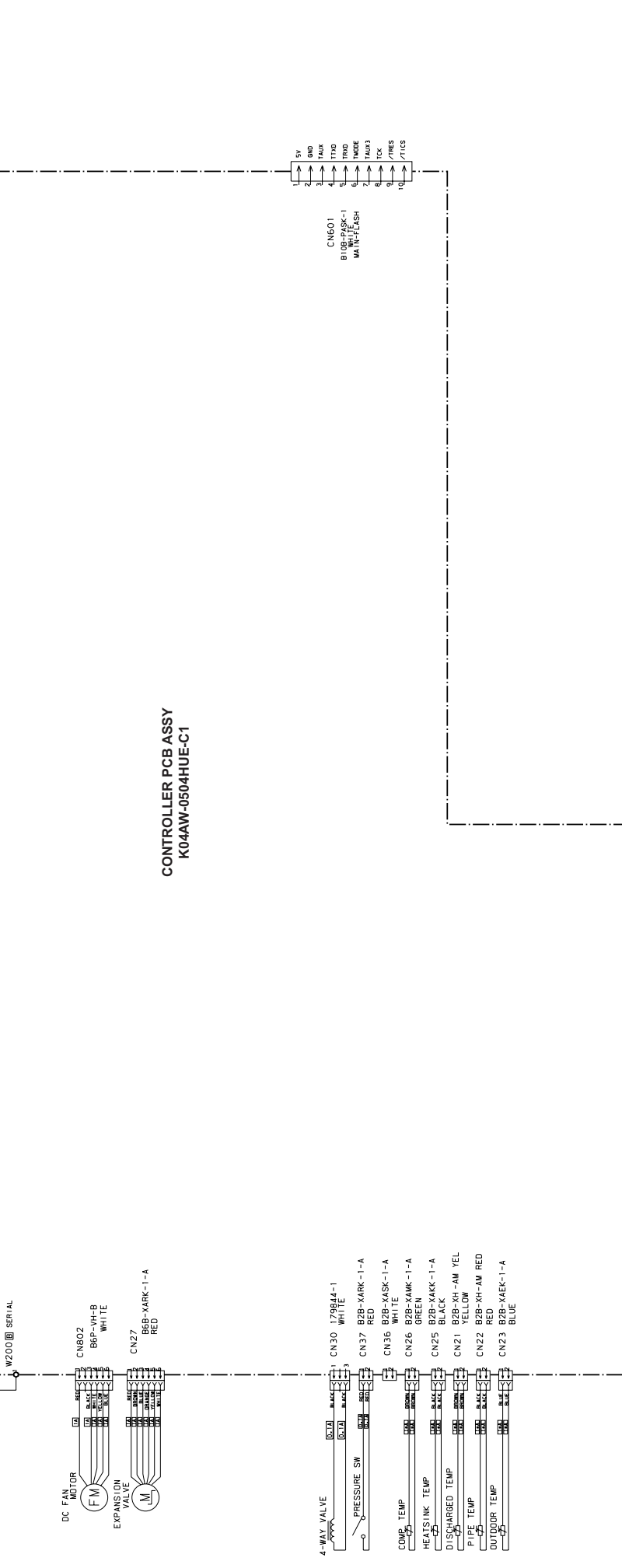
**INVERTER ASSY
EZ-005HHUE**



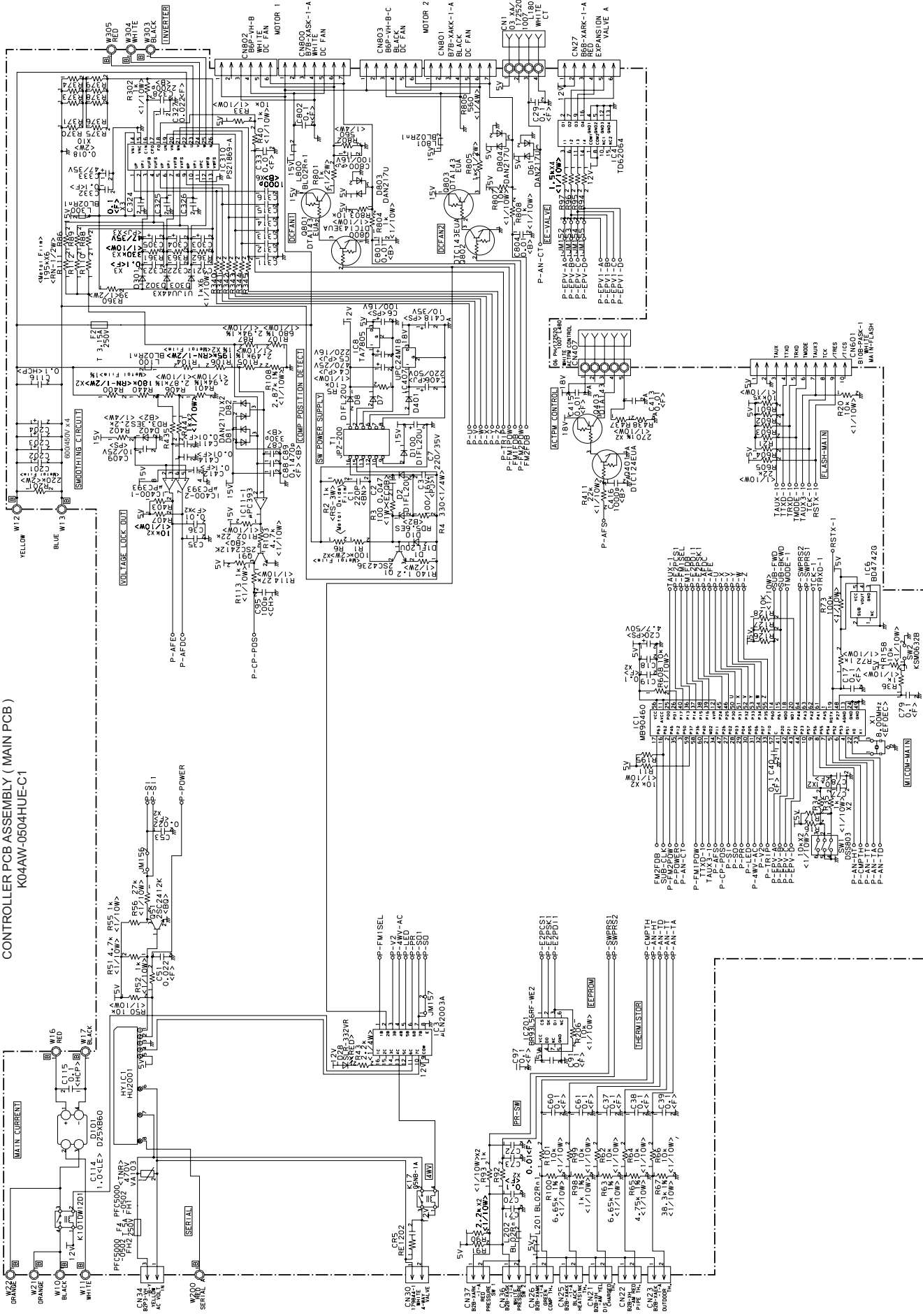
**POWER SUPPLY PCB
K04BA-0501HUE-P0**



**CONTROLLER PCB ASSY
K04AW-0504HUE-C1**

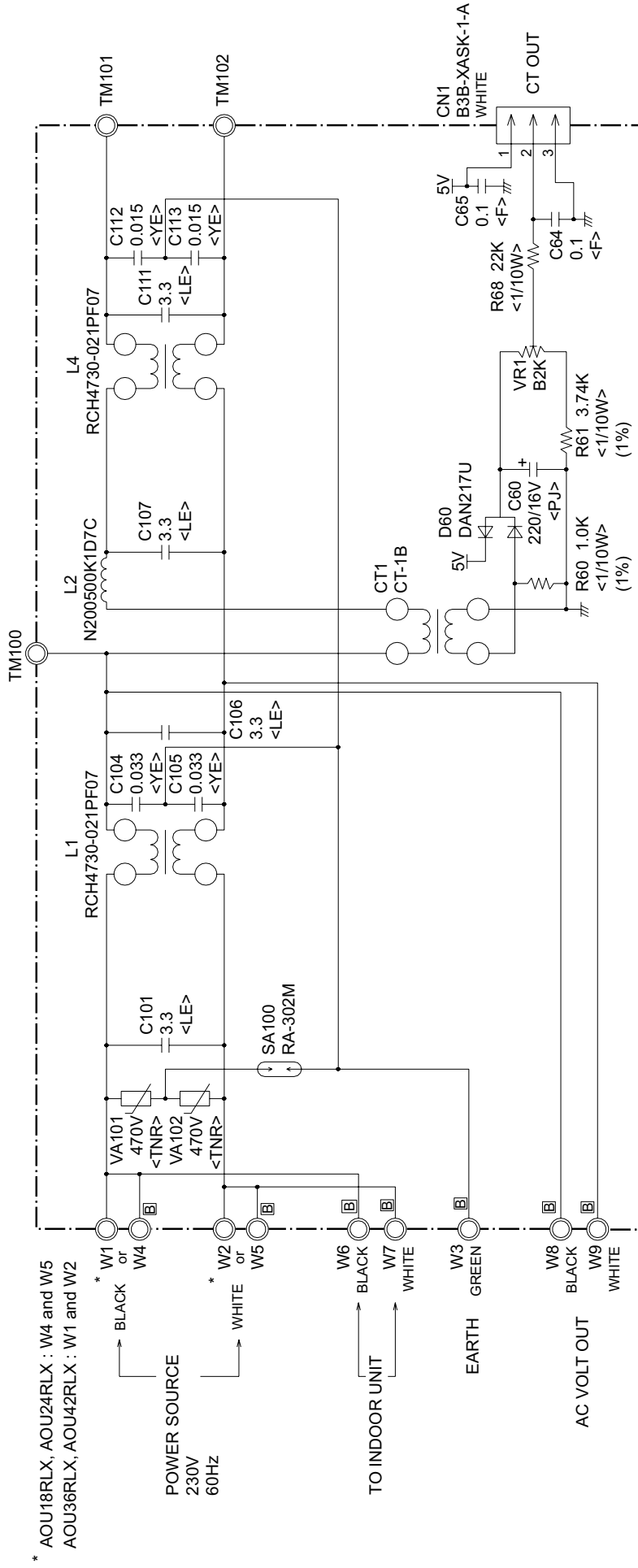


CONTROLLER PCB ASSEMBLY (MAIN PCB)
K04AW-0504HUE-C1



Model : AOU36RLX

POWER SUPPLY PCB ASSEMBLY
K04BA-0501HUE-P0

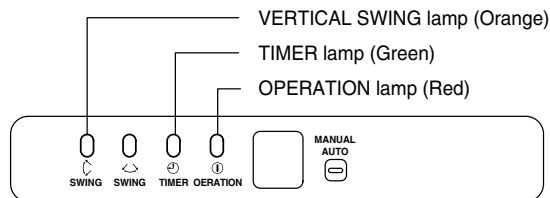


ERROR CONTENTS

(Indoor unit)

Operation can be checked by lighting and flashing of the display section OPERATION, TIMER, and VERTICAL SWING lamps.

Perform judgment in accordance with the following.



TEST RUNNING

When the air conditioner is run by pressing the remote control unit test run button, the OPERATION, TIMER, and VERTICAL SWING lamps flash slowly at the same time.

ERROR

The OPERATION, TIMER, and VERTICAL SWING lamps operate as follows (Table 1) according to the error contents.

OPERATION lamp (RED)	TIMER lamp (GREEN)	SWING lamp (ORANGE)	Error contents
○	○	×	Indoor EEPROM abnormal
○	○	○	Outdoor EEPROM abnormal
(2 times) ●	○	×	Indoor room temperature sensor open
(2 times) ●	○	○	Indoor room temperature sensor shortcircuited
(3 times) ●	○	×	Indoor heat exchanger temperature sensor open
(3 times) ●	○	○	Indoor heat exchanger temperature sensor shortcircuited
(4 times) ●	○	×	Float switch operated
(5 times) ●	○	×	Indoor signal abnormal
(5 times) ●	○	○	Outdoor signal abnormal
(6 times) ●	○	×	Indoor fan abnormal
○	(2 times) ●	×	Outdoor power source connection abnormal
○	(3 times) ●	×	Outdoor heat exchanger temperature sensor open
○	(3 times) ●	○	Outdoor heat exchanger temperature sensor shortcircuited
○	(4 times) ●	×	Outdoor temperature sensor open
○	(4 times) ●	○	Outdoor temperature sensor shortcircuited
○	(5 times) ●	×	Outdoor discharge pipe temperature sensor or compressor temperature sensor open
○	(5 times) ●	○	Outdoor discharge pipe temperature sensor or compressor temperature sensor shortcircuited
○	(6 times) ●	×	Outdoor high pressure abnormal
○	(7 times) ●	×	Outdoor discharge pipe temperature or compressor temperature sensor abnormal

○ : 0.1s ON/0.1s OFF (flash) × : OFF

● : 0.5s ON/0.5s OFF (flash)

ERROR CONTENTS (outdoor unit)

1. Make a TEST RUN in accordance with the installation instruction sheet for the indoor unit.

2. OUTDOOR UNIT LEDS

When a malfunction occurs in the outdoor unit, the LED on the circuit board lights to indicate the error. Refer to the following table for the description of each error according to the LED.

LED	Error contents
1 flash	Communication error (Indoor unit - Outdoor unit)
2 flash	Discharge pipe temperature sensor
3 flash	Outdoor heat exchanger temperature sensor
4 flash	Outdoor temperature sensor
7 flash	Compressor temperature sensor
8 flash	Heat sink temperature sensor
9 flash	Pressure switch abnormal
12 flash	IPM error
13 flash	Compressor rotor position cannot detect
14 flash	Compressor cannot operate
15 flash	Outdoor fan abnormal (upper fan)
16 flash	Outdoor fan abnormal (lower fan)
lighting	No error

SPECIAL INSTALLATION SETTING

PUMP DOWN (Refrigerant collecting operation)

Perform the following procedures to collect the refrigerant when moving the indoor unit or the outdoor unit.

1. When the product is stopped:

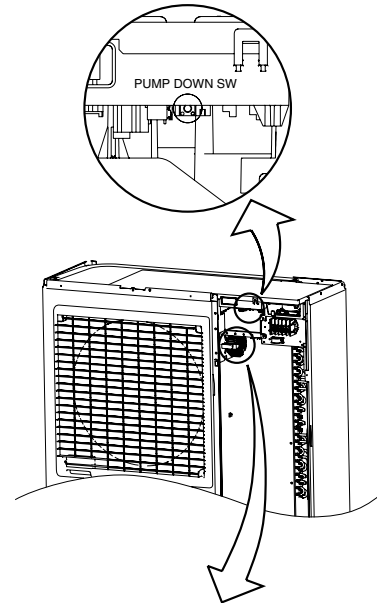
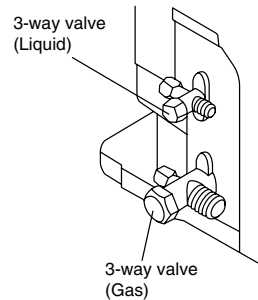
①	Press the PUMP DOWN switch on the outdoor unit. (The LED on the outdoor unit circuit board lights.)
②	The pump down operation (cooling operation) begins right away. After operation starts, close the three-way valve (liquid).
③	After 2 - 3 minutes, operation stops. Close the three-way valve (gas) within one minute after operations stops.
④	The LED will go out three minutes after it stops. Disconnect the power supply after confirming that the LED has gone out.

2. When the product is operating:

①	Press the PUMP DOWN switch on the outdoor unit. The LED on the outdoor unit circuit board lights, and operation stops. At this point, recovery has not been completed, so do not close the two- and three-way valves.
②	The pump down operation (cooling operation) begins after three minutes. Close the three-way valve (liquid) after operation starts.
③	After 2 - 3 minutes, operation stops. Close the three-way valve (gas) within one minute after operations stops.
④	The LED will go out three minutes after it stops. Disconnect the power supply after confirming that the LED has gone out.

*When the pump down operation is repeated, temporarily disconnect the power supply after opening the closed valves (both liquid and gas). Reconnect the power supply after 2 - 3 minutes and perform the pump down operation.

*When the start of the operation after pump down operation has been completed, temporarily disconnect the power supply after opening the closed valves (both liquid and gas). Reconnect the power supply after 2-3 minutes and be sure to perform a test operation for cooling.



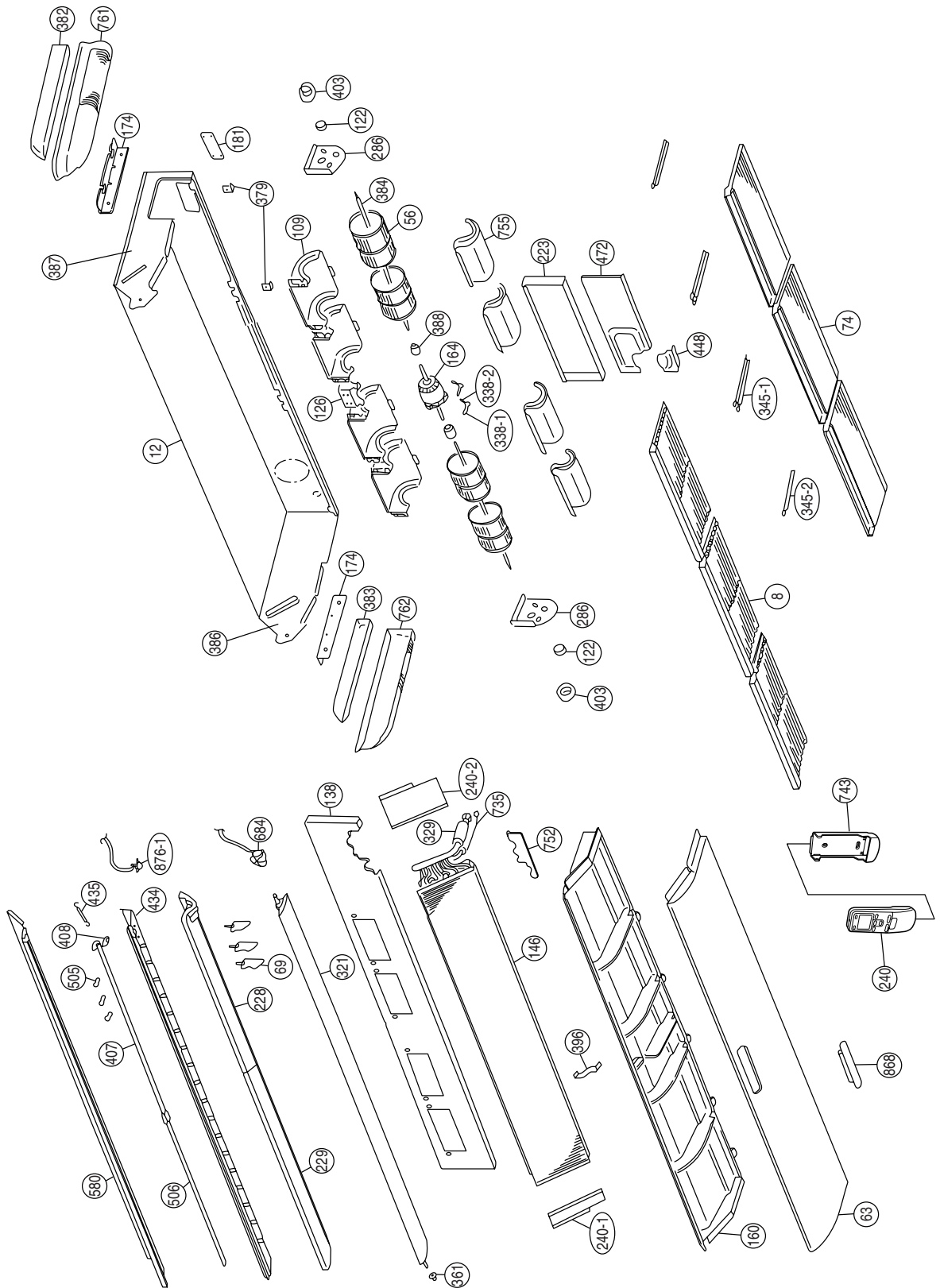
⚠ DANGER

This part (Choke coil) generates high voltages. Never touch this part.

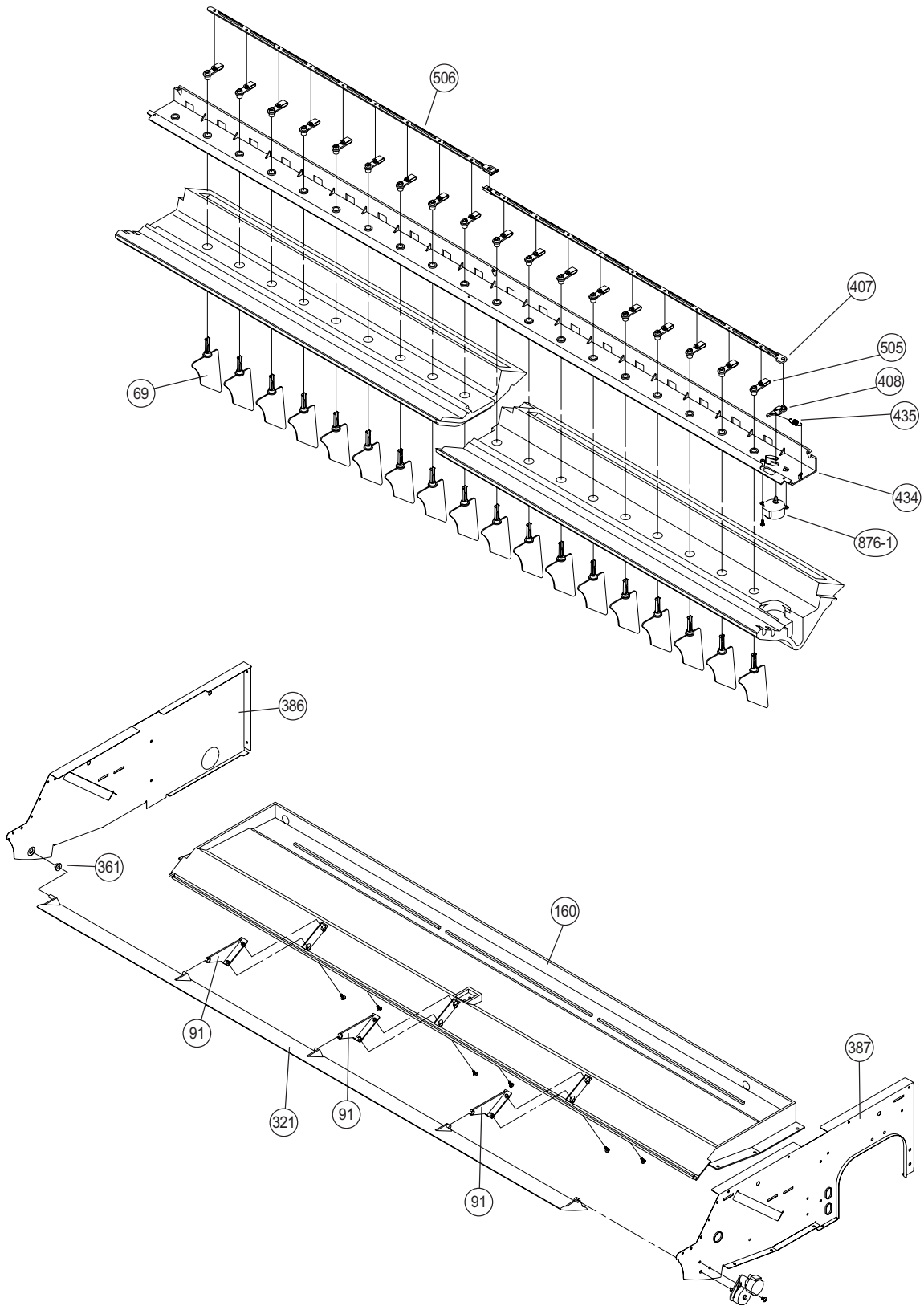
DISASSEMBLY ILLUSTRATION

INDOOR UNIT

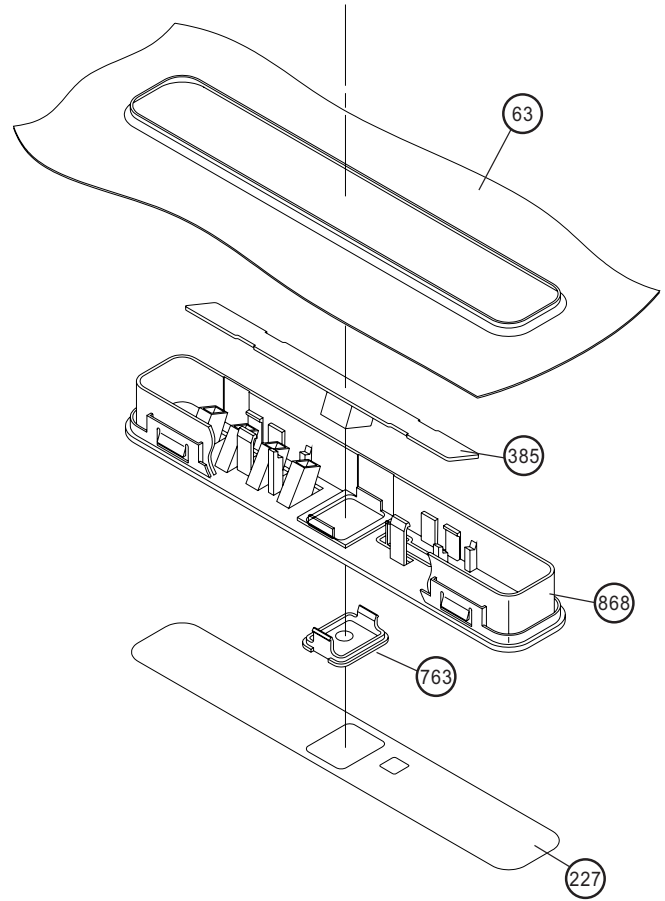
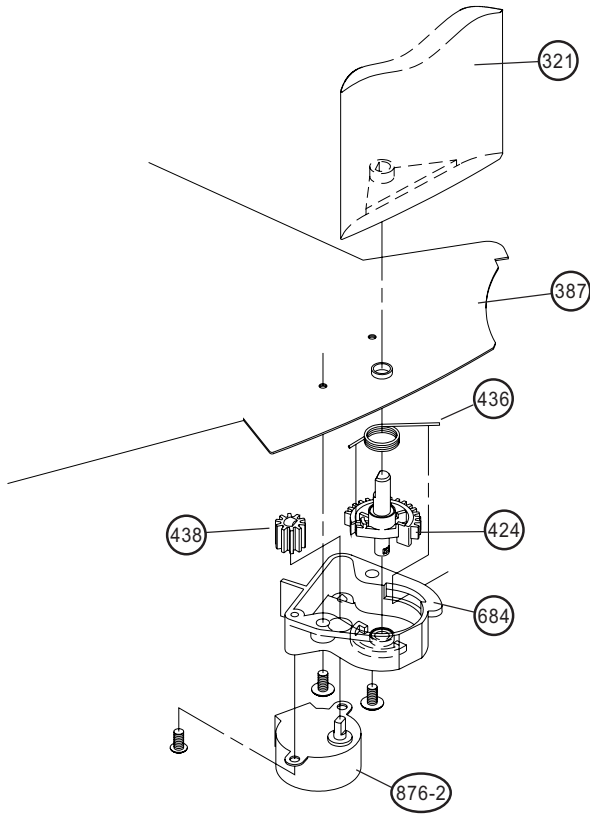
Model : ABU36RSLX



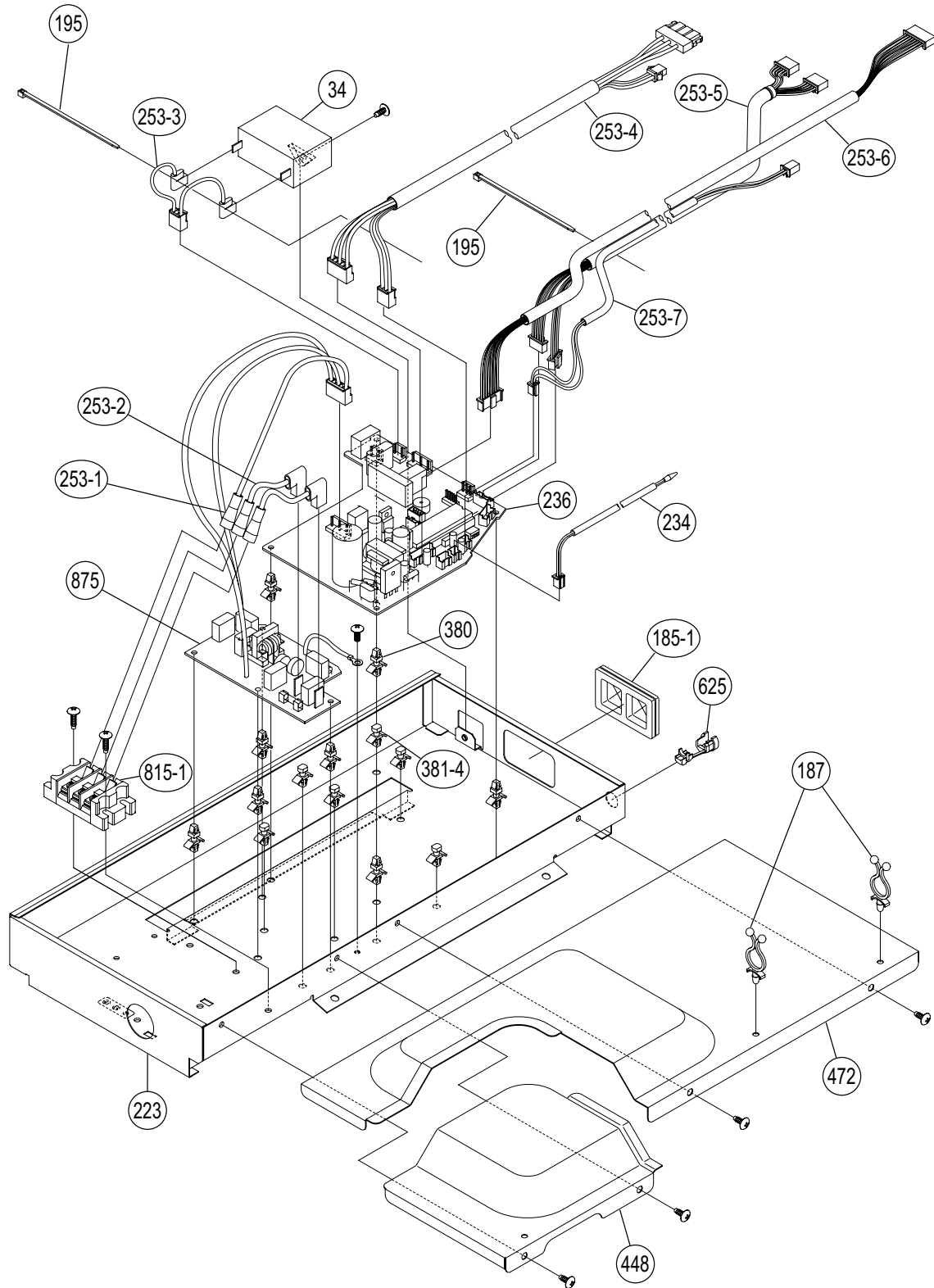
Model : ABU36RSLX



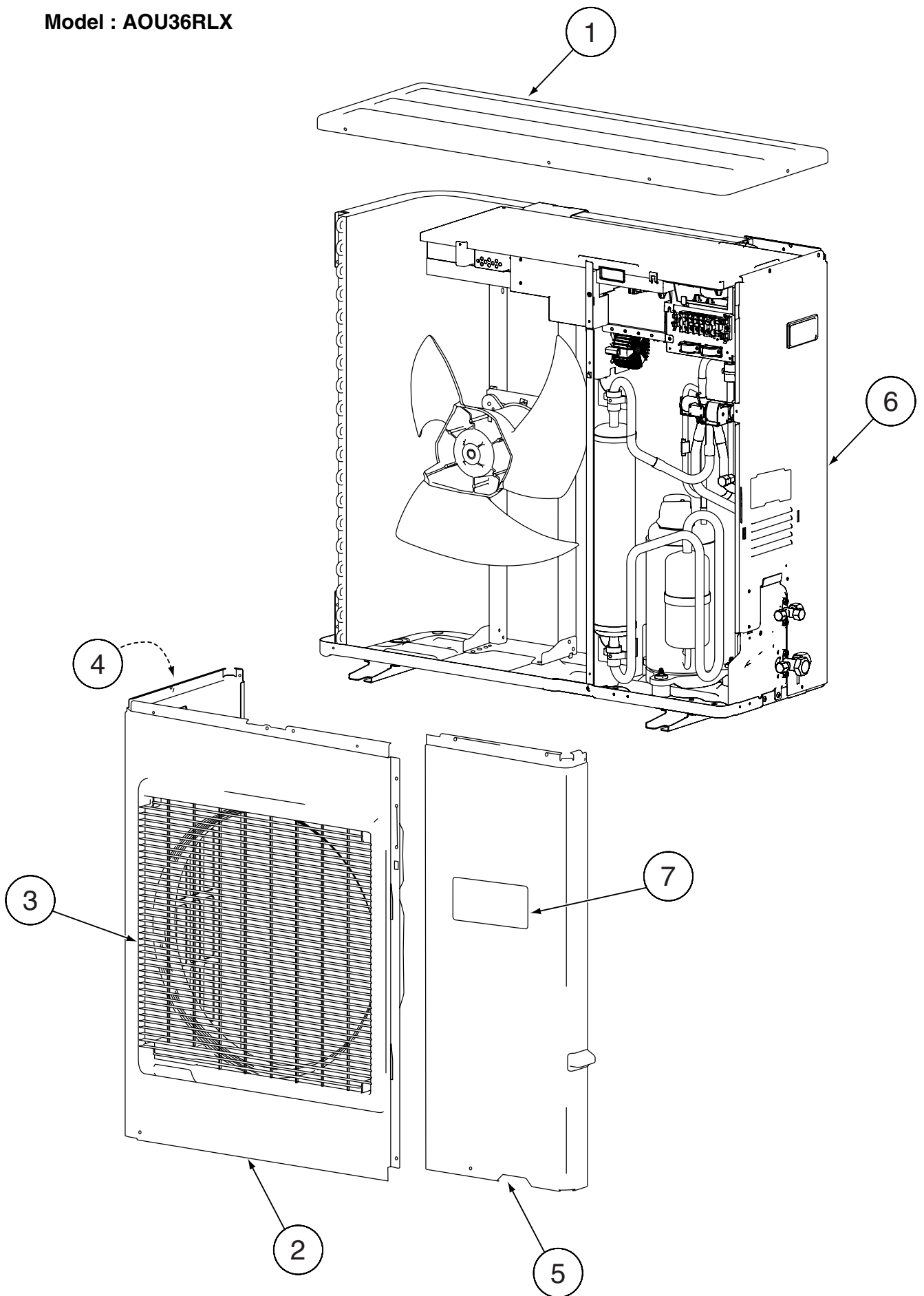
Model : ABU36RSLX



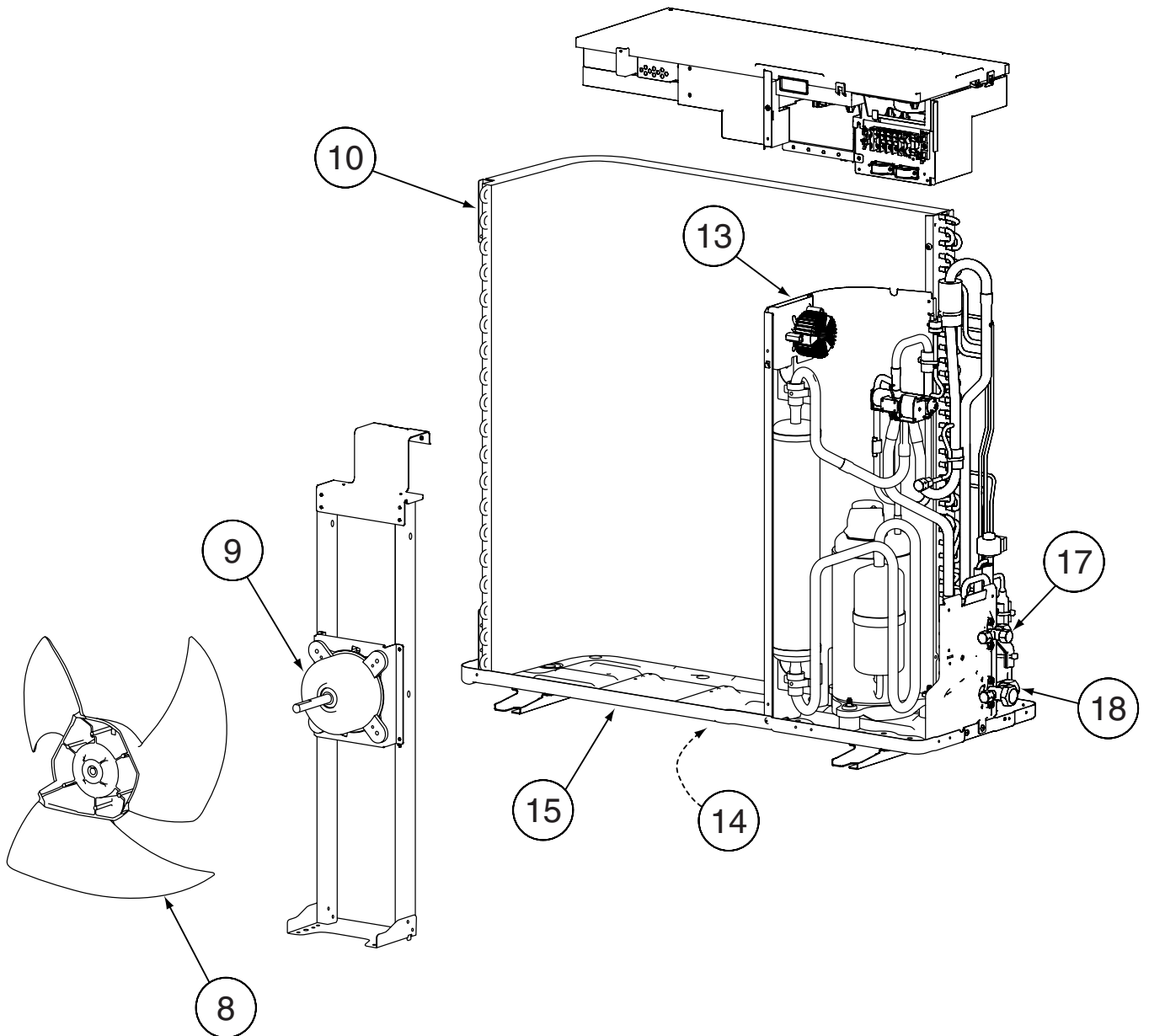
Model : ABU36RSLX



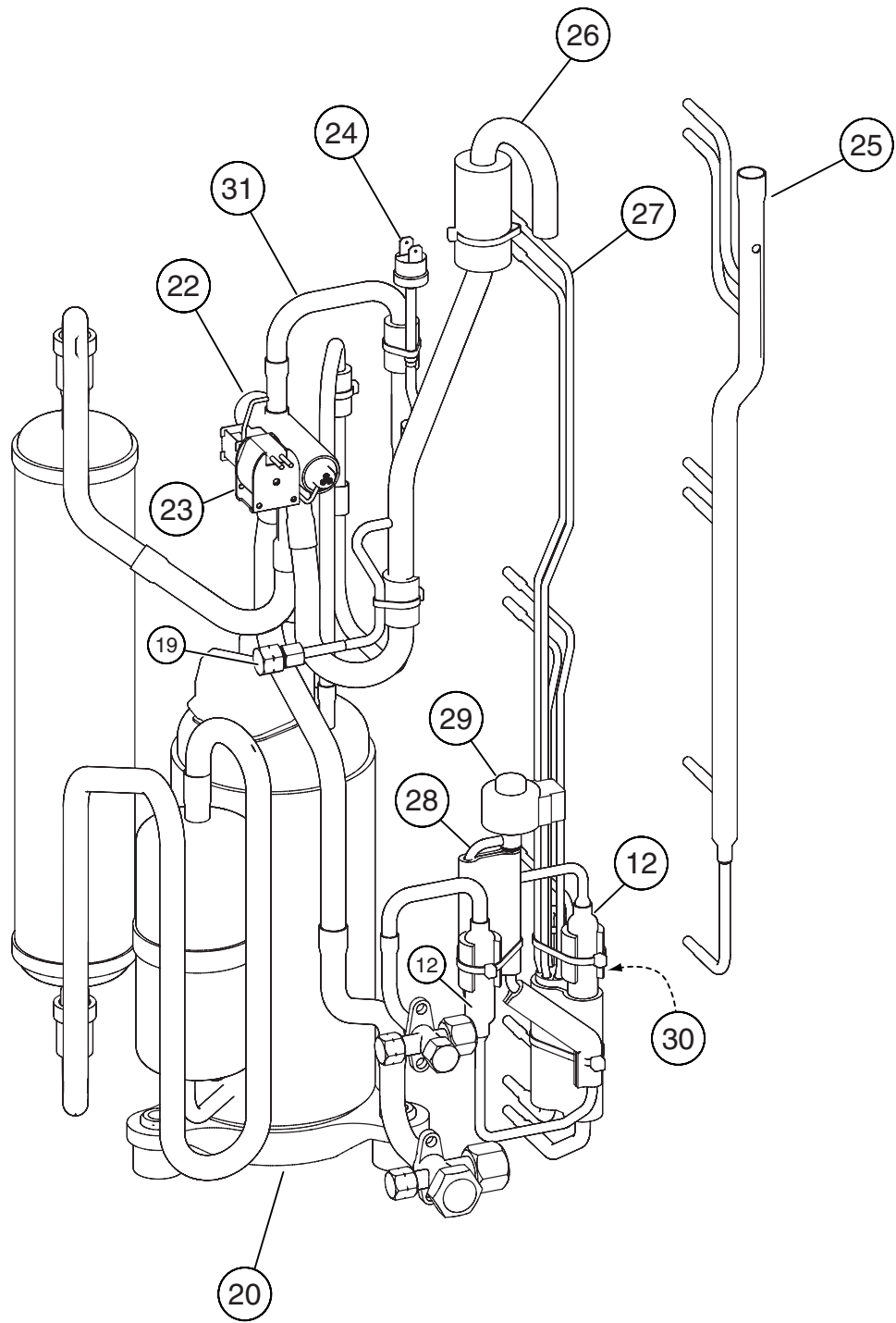
Model : AOU36RLX



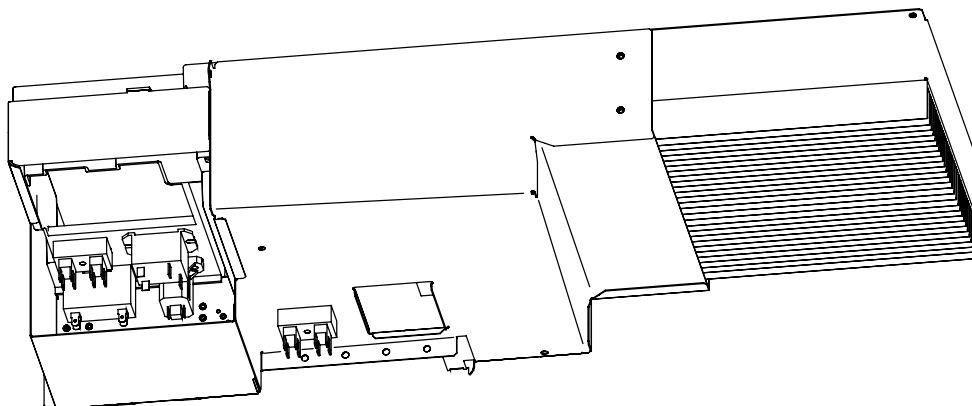
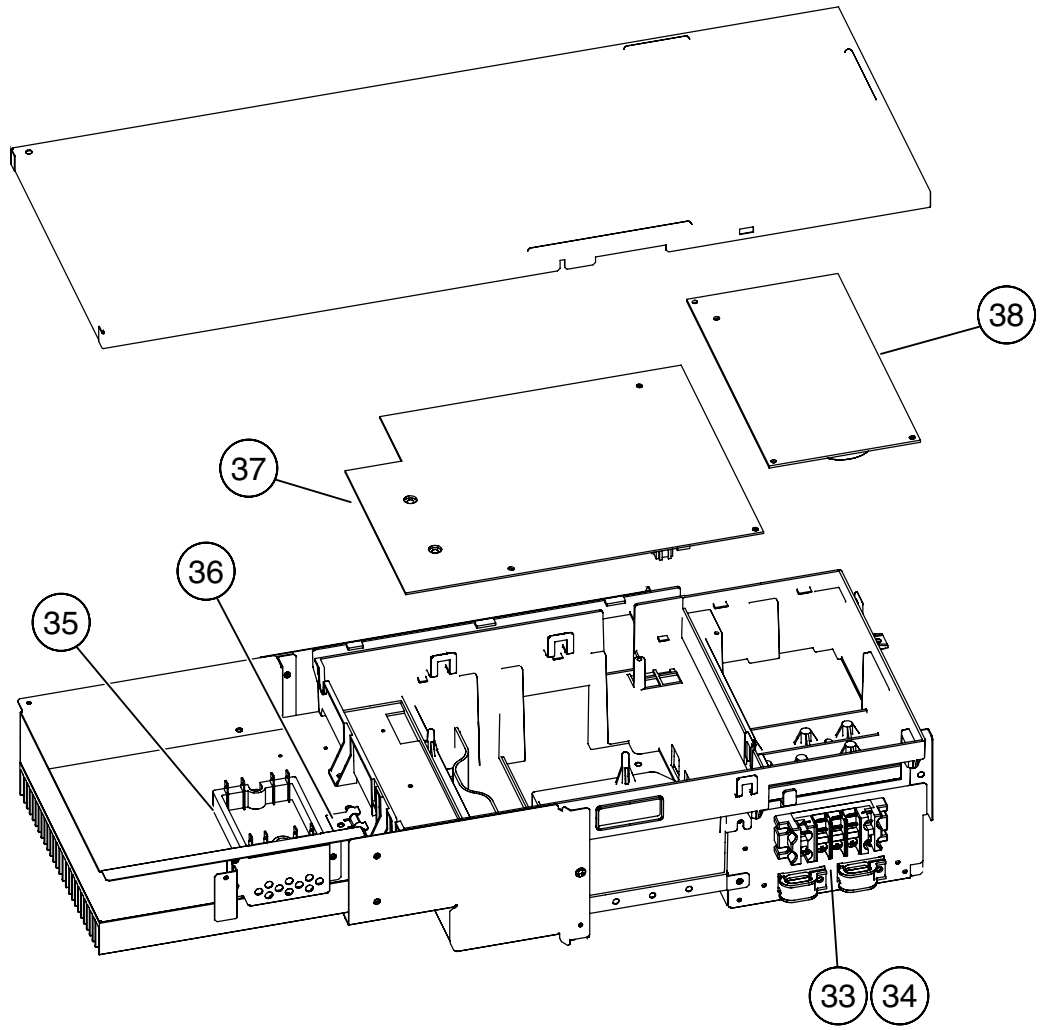
Model : AOU36RLX



Model : AOU36RLX



Model : AOU36RLX



PARTS LIST

INDOOR UNIT

Ref. No.	Description	Part No.	Ord. Q'ty	Ref. No.	Description	Part No.	Ord. Q'ty
		ABU36RSLX				ABU36RSLX	
8	Air Filter	9359739005		345-1	Filter Guide-R	9359692003	
12	Base Assy	9359680000		345-2	Filter Guide-L	9359693000	
34	Capacitor	9900270216		361	Bushing	9359733003	
56	Sirocco Fan Assy	9359701002		379	Hinge Plate (Grille)	9359694007	
63	Panel (Front)	9359734000		380	Locking Spacer KGLS-6S	313209391403	
69	Louver	9359719007		381-4	Spacer	0600118075	
74	Intake Grille	9359738008		382	Cover (Decoration)-R	9359744009	
91	Hinge	9359699002		383	Cover (Decoration)-L	9359745006	
109	Casing	9359704003		384	Shaft	9359707004	
122	Bearing-B Assy	9357921006		385	Indicator PCB Assy	9705891029	
126	Bracket (Motor)	9359681007		386	Panel Left Assy	9359685005	
138	Separate Wall	9359700005		387	Kit (Panel Right Assy)	9371361017	
146	Evaporator Assy	9371073040		388	Joint Assy	9359706007	
160	Drain Pan Sub Assy	9360429018		396	Rfm Bracket Metal	9359697008	
164	Fan Motor Assy-IN	9360457004		403	Fixture (Bearing)	9359687009	
174	Hanger	9359742005		407	Rod (Motor)	9359723004	
181	Hole Cover	9359691006		408	Link (Louver)	9359726005	
185-1	Rubber Bushing	9357376004		424	Sector Gear	9359729006	
187	Clamp No.1219	313361271706		434	Base (Louver)	9359718000	
195	Clamp SKB-100	313361275805		435	Louver Spring	9359720003	
223	Control Box Assy	9362025003		436	Flap Spring	9359730002	
227	Badge "FUJITSU"	9359735014		438	Pinion Gear	9359728009	
228	Insulation (Louver)-R	9359721000		448	Control Box-B	9359713005	
229	Insulation (Louver)-L	9359722007		472	Control Box-A	9359712008	
234	Thermistor (Room)	9703299025		505	Stopper (Louver)	9359724001	
236	Controller PCB Assy	9705914285		506	Rod (Louver)	9359725008	
240	Remote Control Unit	9371190051		580	Cover (Top)	9359737001	
240-1	Cover Panel (Pipe)-L	9359690009		625	Cord Bushing	9359240006	
240-2	Cover Panel (Pipe)-R	9359689003		684	Motor Base	9359727002	
253-1	Wire Assy (Terminal)	9702321017		735	Distributor Assy	9360455000	
253-2	Wire Assy (Terminal)	9702322014		743	Remote Control Holder Case	9305642014	
253-3	Wire Assembly	9702311018		752	Bracket Panel (Pipe)	9359688006	
253-4	Wire Assy (Connector)	9702323011		755	Cover (Casing)	9359705000	
253-5	Wire Assy (Connector)	9702319014		761	Kit (Cover Side-R)	9371364018	
253-6	Wire Assy (Connector)	9702317010		762	Kit (Cover Side-L)	9371365015	
253-7	Wire Assy (Connector)	9702318017		763	Cover (Receiver)	9359714002	
286	Bracket (Bearing)	9359686002		815-1	Terminal-7P	9703403019	
321	Flap Assy	9359731009		868	PCB Holder	9359736004	
329	Coupling Pipe Assy	9373038214		875	Power Supply PCB Assy	9704561350	
338-1	Fixture (Motor)	9359702009		876-1	Motor, Step-H	9360479013	
338-2	Fixture (Motor)-B	9359703006		876-2	Motor, Step	9900362010	
				---	Thermistor (Pipe)	9900022020	


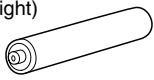




OUTDOOR UNIT

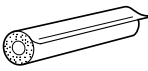




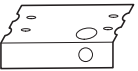

Ref. No.	Description	Part No.	Ord. Q'ty
		AOU36RLX	
1	Top Panel Sub Assy	9374417025	
2	Front Panel	9374094066	
3	Fan Guard	9374330010	
4	Grip Side	9374173013	
5	Service Panel Sub Assy	9374415038	
6	Right Panel Sub Assy	9374416073	
7	Emblem Rear	9351355005	
8	Propeller Fan Assy	9366378020	
9	Fan Motor	9602114016	
10	Condenser-A Assy	9374433148	
12	Strainer Assy	9372524015	
13	Separate Wall Assy	9375226015	
14	Cap Foot	9374345014	
15	Base Assy	9374166183	
17	3-Way Valve Assy	9372205044	
18	3-Way Valve Assy	9372205075	
19	Check Joint Assy	9372802038	
20	Compressor Assy	9373711018	
22	4-Way Valve	9900164010	
23	Solenoid	9900165055	
24	Pressure Switch	9900186012	
25	Inlet Pipe Cond A Assy	9373461067	
26	Inlet Pipe Cond B Assy	9373463054	
27	Outlet Pipe Cond A Assy	9374266050	
28	Expansion Valve Assy	9370947113	
29	Coil (Expansion Valve)	9900057039	
30	Distributor	9369128004	
31	Discharge Pipe A Assy	9372264140	
33	Terminal 2P	9701971015	
34	Terminal 5P	9900203023	
35	ACTPM	9703457012	
36	Holder Thermo	9372797013	
37	Inverter PCB Assy	9705642102	
38	Power PCB Assy	9705647053	
----	Fuse 3.15A-250V	0600239534	
----	Thermistor (Outdoor Temp.)	9900378035	
----	Heat Exchanger Thermistor	9900374013	
----	Thermistor (Discharge)	9704219114	
----	Compressor Thermistor	9900156022	
----	Thermistor	9704265012	
----	Heatsink Thermistor	9900311018	
----	Transformer	9702334024	
----	Varistor	0000361224	
----	Arrester	0600280147	
----	Relay	9900117016	
----	Relay	9900007010	
----	Switch Push	9703476013	
----	Switch Slide	9701392018	
----	Drain Pipe Assy	9301102000	
----	Drain Cap	313166024302	

STANDARD ACCESSORIES

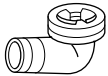
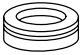
The following installation parts are furnished. Use them as required.

INDOOR UNIT ACCESSORIES

Name and Shape	Q'ty	Application
Remote control unit 	1	Use for air conditioner operation
Battery (penlight) 	2	For remote control unit
Remote control unit holder 	1	For mounting the remote control unit
Tapping screw (ø3 x 12) 	2	For remote control unit holder installation
Drain hose insulation 	1	Adhesive type 70 x 230
VT wire 	1	For fixing the drain hose L 280 mm

Name and Shape	Q'ty	Application
Coupler heat insulator (large) 	2	For indoor side pipe joint (Gas pipe)
Coupler heat insulator (small) 	1	For indoor side pipe joint (Liquid pipe)
Nylon fastener 	Large 4 Small 4	For fixing the coupler heat insulator
Special nut A (large flange) 	4	For installing indoor unit
Special nut B (small flange) 	4	For installing indoor unit
Installation template 	1	For positioning the indoor unit
Auxiliary pipe assembly 	1	For connecting the piping

OUTDOOR UNIT ACCESSORIES

Name and Shape	Q'ty	Application
Drain pipe 	1	For outdoor unit drain piping work (May not be supplied, depending on the model.)
Drain cap 	5	

OPTIONAL PARTS

The following options are available.

DRAIN PUMP UNIT : UTR-DPB241 (P/N 9034087001)

WIRED REMOTE CONTROLLER UNIT : UTB-UUB(P/N 9075887004)

0512G2981