



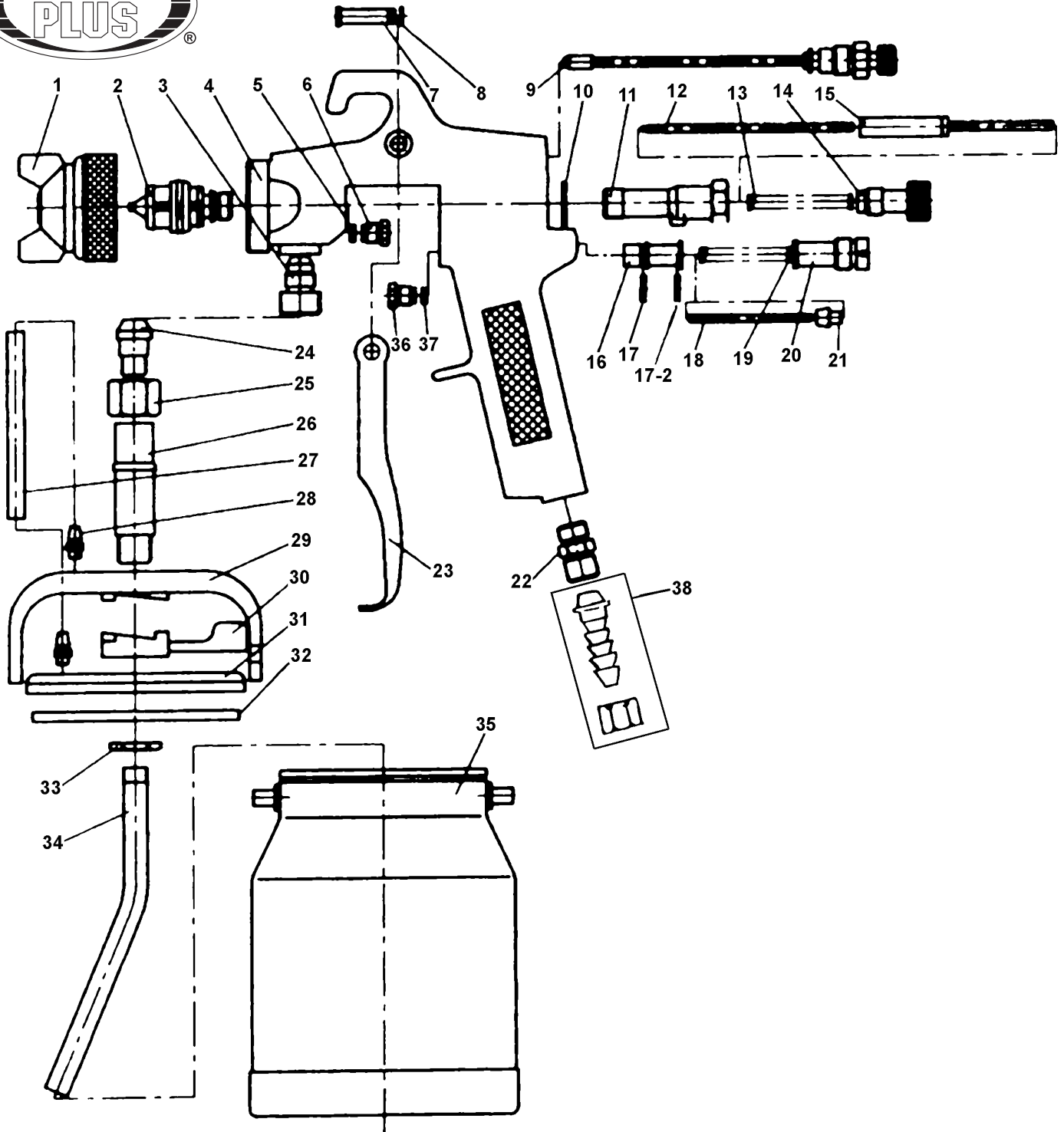
Service Manual / Manuel de Service

# Heavy Duty Spray Gun Pistolet à Peinturer Ultra Robuste



Revised/Revisé 03/2015

8180





## Parts Pricing List / Liste de Prix des Pièces

# 8180

| Diag. | Order # Com. | English Description           | Description Française                | Qty./Qté. | Price/Prix |
|-------|--------------|-------------------------------|--------------------------------------|-----------|------------|
| 1     | 6781800010   | AIR CAP (1.8MM)               | CAPUCHON A AIR (1.8MM)               | 1         | \$13.84    |
| 2     | 6781800020   | NOZZLE (1.8MM)                | BUSE (1.8MM)                         | 1         | \$11.06    |
| 3     | 6781800030   | MALE COMPRESSION FITTING      | UNION DE COMPRESSION MALE            | 1         | \$4.80     |
| 4     | 6781800040   | GUN BODY                      | CORPS DU PISTOLET                    | 1         | \$38.89    |
| 5     | 6781800050   | NEEDLE PACKING GASKET         | JOINT D'ETANCHEITE DE L'AIGUILLE     | 1         | \$3.82     |
| 6     | 6781800060   | NEEDLE PACKING NUT            | ECROU DU JOINT DE L'AIGUILLE         | 1         | \$4.10     |
| 7     | 6781800070   | TRIGGER STUD                  | TIGE DE LA GACHETTE                  | 1         | \$3.69     |
| 8     | 6781800080   | "E" RETAINING RING            | ANNEAU DE RETENU EN "E"              | 1         | \$2.02     |
| 9     | 6781800090   | FAN ADJ. VALVE SET            | JEUX DE VALVE D'AJUST. DE L'EVENTAIL | 1         | \$13.84    |
| 10    | 6781800100   | GASKET                        | JOINT D'ETANCHEITE                   | 1         | \$3.97     |
| 11    | 6781800110   | NEEDLE SLEEVE                 | MANCHON DE L'AIGUILLE                | 1         | \$6.33     |
| 12    | 6781800120   | NEEDLE                        | L'AIGUILLE                           | 1         | \$3.27     |
| 13    | 6781800130   | NEEDLE SPRING                 | RESSORT DE L'AIGUILLE                | 1         | \$5.49     |
| 14    | 6781800140   | WIDTH ADJ. SCREW              | VIS D'AJUSTEMENT DE LARGEUR          | 1         | \$4.94     |
| 15    | 6781800150   | WIDTH ADJ. POLE               | TIGE D'AJUSTEMENT DE LARGEUR         | 1         | \$4.10     |
| 16    | 6781800160   | AIR VALVE SLEEVE              | MANCHON DE LA SOUPE D'AIR            | 1         | \$4.10     |
| 17    | 6781800170   | O-RING (SMALL)                | JOINT TORIQUE (PETIT)                | 1         | \$3.41     |
| 17-2  | 6781800172   | O-RING (LARGE)                | JOINT TORIQUE (GRAND)                | 1         | \$3.55     |
| 18    | 6781800180   | AIR VALVE POLE                | TIGE DE LA SOUPE D'AIR               | 1         | \$3.69     |
| 19    | 6781800190   | AIR VALVE SPRING              | RESSORT DE LA SOUPE D'AIR            | 1         | \$5.36     |
| 20    | 6781800200   | AIR VALVE SCREW               | VIS DE LA SOUPE D'AIR                | 1         | \$4.94     |
| 21    | 6781800210   | AIR VALVE GASKET              | JOINT D'ETANCHEITE/SOUPE D'AIR       | 1         | \$2.71     |
| 22    | 6781800220   | THREADED UNION                | JOINT D'UNION FILETE                 | 1         | \$4.10     |
| 23    | 6781800230   | TRIGGER                       | GACHETTE                             | 1         | \$6.61     |
| 24    | 6781800240   | FLUID JOINT                   | ECROU D'UNION DU LIQUIDE             | 1         | \$4.94     |
| 25    | 6781800250   | COMPRESSION NUT               | ECROU DE COMPRESSION                 | 1         | \$5.36     |
| 26    | 6781800260   | CONNECTING PIPE               | TUYAU DE CONNECTION                  | 1         | \$5.49     |
| 27    | 6781800270   | WINDPIPE                      | TUYAU DE L'EVENT                     | 1         | \$2.02     |
| 28    | 6781800280   | AIR NOZZLE                    | BUSE D'AIR                           | 2         | \$3.97     |
| 29    | 6781800290   | PAINT CUP BRACKET             | SUPPORT DU GODET                     | 1         | \$8.28     |
| 30    | 6781800300   | PAINT CUP TRIGGER             | GACHETTE DU GODET                    | 1         | \$6.88     |
| 31    | 6781800310   | PAINT CUP COVER               | COUVERCLE DU GODET                   | 1         | \$6.88     |
| 32    | 6781800320   | PAINT CUP GASKET              | JOINT D'ETANCHEITE DU GODET          | 1         | \$5.49     |
| 33    | 6781800330   | THIN HEX. NUT                 | ECROU HEXAGONAL MINCE                | 1         | \$2.99     |
| 34    | 6781800340   | FLUID TUBE                    | TUBE DU LIQUIDE                      | 1         | \$4.10     |
| 35    | 6781800350   | PAINT CUP                     | GODET                                | 1         | \$18.02    |
| 36    | 6781800360   | AIR VALVE POLE PACKING NUT    | ECROU DU JOINT DE LA SOUPE D'AIR     | 1         | \$4.10     |
| 37    | 6781800370   | AIR VALVE POLE PACKING GASKET | JOINT DE LA SOUPE D'AIR              | 1         | \$2.43     |
| 38    | 6781800380   | BARBED / COMPRESSION UNION    | UNION BARBEE / COMPRESSION           | 1         | \$5.92     |
|       | 678180MBIL   | BILINGUAL MANUAL 8180         | MANUEL BILINGUE 8180                 | 1         | \$18.15    |