

OWNER'S MANUAL

CONTENTS:

Page	1	Specifications
	2	Warning Information
	3	Setup, Operating Instructions
	4	Operating Instructions, Preventative Maintenance and Troubleshooting
	5	Warranty Information
	6	Exploded View Drawing and Replacement Parts



SPECIFICATIONS

Capacity.....	700 Lbs
Low Height.....	49.5"
High Height.....	69.5"
Saddle Tilt.....	15° (forward) / 15° (backward) / 12° (side to side)
Base Size	28.75" x 35"
Shipping Weight	96 Lbs

WARNING INFORMATION



This is the safety alert symbol. It is used to alert you to potential personal injury hazards. Obey all safety messages that follow this symbol to avoid possible injury or death.



WARNING: Indicates a hazardous situation which, if not avoided, could result in death or serious injury.



IMPORTANT: READ THESE INSTRUCTIONS BEFORE OPERATING

BEFORE USING THIS DEVICE, READ THIS MANUAL COMPLETELY AND THOROUGHLY UNDERSTAND ITS OPERATING PROCEDURES, SAFETY WARNINGS AND MAINTENANCE REQUIREMENTS.

It is the responsibility of the owner to make sure all personnel read this manual prior to using the device. It is also the responsibility of the device owner to keep this manual intact and in a convenient location for all to see and read. If the manual or product labels are lost or not legible, contact Sunex for replacements. If the operator is not fluent in English, the product and safety instructions shall be read to and discussed with the operator in the operator's native language by the purchaser/owner or his designee, making sure that the operator comprehends its contents.

THE NATURE OF HAZARDOUS SITUATIONS



The use of portable automotive lifting devices is subject to certain hazards that cannot be prevented by mechanical means, but only by the exercise of intelligence, care, and common sense. It is therefore essential to have owners and personnel involved in the use and operation of the equipment who are careful, competent, trained, and qualified in the safe operation of the equipment and its proper use. Examples of hazards are dropping, tipping or slipping of loads caused primarily by improperly secured loads, overloading, off-centered loads, use on other than hard level surfaces, and using equipment for a purpose for which it was not designed.

METHODS TO AVOID HAZARDOUS SITUATIONS



- Read, study, understand and follow all instructions before operating this device.
 - Inspect the jack before each use. Do not use jack if damaged, altered, modified, in poor condition, leaking hydraulic fluid, or unstable due to loose or missing components. Make corrections before using.
 - Consult the vehicle manufacturer for the transmission's center of balance.
 - Secure the transmission to the jack's saddle with the anchorage restraint system provided before raising or lowering the transmission.
 - Center load on saddle. Be sure setup is stable before working on vehicle.
 - Support the engine with a stand before unbolting the transmission from the engine.
-
- Wear eye protection that meets ANSI Z87.1 and OSHA standards (users and bystanders).
 - Do not use jack beyond its rated capacity. Do not shock load.
 - Use only on a hard level surface.
 - Adequately support the vehicle before starting repairs.
 - Use of this product is limited to the removal, installation and transportation in the lowered position, of transmissions, transfer cases and transaxles.
 - Do not use any adapters unless approved or supplied by Sunex.
 - Always lower the jack slowly and carefully.
 - Do not use (or modify) the product for any other purpose than that for which it was designed without consulting the manufacturer's authorized representative.
 - This product may contain one or more chemicals known to the State of California to cause cancer and birth defects or other reproductive harm. *Wash hands thoroughly after handling.*
 - Failure to heed these markings may result in serious or fatal personal injury and/or property damage.

CONSEQUENCES OF NOT AVOIDING HAZARDOUS SITUATIONS



Failure to read this manual completely and thoroughly and failure to understand its OPERATING INSTRUCTIONS, SAFETY WARNINGS, MAINTENANCE INSTRUCTIONS and comply with them, and neglecting the METHODS TO AVOID HAZARDOUS SITUATIONS could cause accidents resulting in serious or fatal personal injury and/or property damage.

OWNER'S MANUAL

OWNER/USER RESPONSIBILITY

The owner and/or user must have an understanding of the manufacturer's operating instructions and warnings before using the transmission jack. Personnel involved in the use and operation of equipment shall be careful, competent, trained, and qualified in the safe operation of the equipment and its proper use when servicing motor vehicles and their components. Warning information should be emphasized and understood. If the operator is not fluent in English, the manufacturer's instructions and warnings shall be read to and discussed with the operator in the operator's native language by the purchaser/owner, making sure that the operator comprehends its contents.

Owner and/or user must study and maintain for future reference the manufacturer's instructions and pertinent warning information. Owner and/or user is responsible for keeping all warning labels and instruction manuals legible and intact. Replacement labels and literature are available from the manufacturer.

INSPECTION

Visual inspection should be made before each use of the transmission jack, checking for leaking hydraulic fluid and damaged, loose or missing parts. Each jack must be inspected by a manufacturer's repair facility immediately if accidentally subjected to an abnormal load or shock. Any jack which appears to be damaged in any way, found to be badly worn, or operates abnormally **MUST BE REMOVED FROM SERVICE** until necessary repairs are made by a manufacturer's authorized repair facility. It is recommended that an annual inspection of the jack be made by a manufacturer's authorized repair facility and that any defective parts, decals or warning labels be replaced with manufacturer's specified parts. A list of authorized repair facilities is available from the manufacturer.

SETUP

PLEASE REFER TO THE EXPLODED VIEW DRAWING IN THIS MANUAL IN ORDER TO IDENTIFY PARTS.

1. Secure the #2 legs to the #1 post with the #9 bolts, #4 washers and #10 nuts as shown in the drawing.
2. Secure the #6 swivel casters to the legs with the #7 bolts, #5 washers and #8 nuts as shown in the drawing.
3. Secure the #3 jack to the top of the #1 post using the #11 bolts, #16 washers and #12 nuts as shown in the drawing.
4. Slip the #15 head assembly on to the ram of the #3 jack and align the holes in the jack's ram with the hole in the #15 head. Secure the head to the ram with the #13 bolt provided.
5. Install the #14 fingers to the #15 head assembly using the #17 bolts, #18 washers and #19 nuts as shown in the drawing.
6. Secure one end link of the #21 chain to the #15 head with #22 bolt, #24 washer and #23 nut as shown in the drawing.
7. Secure the #20 hook assembly to the #15 head assembly with the washer and nut provided and as shown in the drawing.
8. Sometimes air gets trapped in the jack during shipping and/or handling. Evidence of an air bound jack is when the pump stroke feels spongy and the jack with not pump full incremental pump strokes.

TO PURGE AIR FROM THE HYDRAULIC SYSTEM:

- A. Open the release valve by turning it two full rotations counterclockwise from its closed position.
- B. Pump the jack 15 full incremental pump strokes without load applied to the jack.
- C. Close the release valve by turning it clockwise until it stops.
- D. Repeat steps "A." through "D." until air is purged from system.

OPERATING INSTRUCTIONS



This is the safety alert symbol used for the OPERATING INSTRUCTIONS section of this manual to alert you to potential personal injury hazards. Obey all instructions to avoid possible injury or death.

OPERATION:

1. Lift the vehicle to the desired work height and support the vehicle in accordance with the lift manufacturer's recommended support procedure and all the instructions and warnings in this manual.
2. Use an under hoist stand rated greater than the weight of the engine to support the engine before unbolting the transmission from the engine or bolting the transmission to the engine.
3. Position the transmission jack directly under the transmission. Pump the jack handle in order to raise the saddle to a height very close to the center of balance point of the transmission oil pan but do not touch the transmission.
4. Adjust the fingers on the head so that the bent up section of the fingers will fit in the mounting flange around the perimeter of the transmission oil pan. Slowly and gently pump the jack so the connection is made and then secure the transmission to the jack's saddle with the chain provided. Sometimes it is necessary to turn the fore and aft and side to side tilt knobs so the head is in the proper alignment with the transmission pan before securing the load to the head.
5. Make sure the chain is very tight when securing the transmission to the head and before raising or lowering the transmission.

OWNER'S MANUAL

6. Remove the transmission from the engine according to instructions in the vehicle service manual.
7. Once the transmission has been disconnected from the engine, very slowly turn the release valve in a counterclockwise direction. Make sure the jack's head and transmission do not hang up on any under car components, wiring, fuel lines, etc. Continue to lower the load all the way down.
8. When installing a transmission, follow the above instructions but in the applicable order and according to the vehicle manufacturer's installation procedure.

PREVENTATIVE MAINTENANCE



This is the safety alert symbol used for the PREVENTATIVE MAINTENANCE section of this manual to alert you to potential personal injury hazards. Obey all instructions to avoid possible injury or death.

1. Always store the jack in a well protected area where it will not be exposed to inclement weather, corrosive vapors, abrasive dust, or any other harmful elements. The jack must be cleaned of water, snow, sand, grit, oil, grease or other foreign matter before using.
2. The jack must be lubricated periodically in order to prevent premature wearing of parts. A general purpose grease must be applied to all fittings, caster wheels, tilt screws but no hydraulic components. Worn parts resulting from inadequate or no lubrication are not eligible for warranty consideration.
3. It should not be necessary to refill or top off the reservoir with hydraulic fluid unless there is an external leak. An external leak requires immediate repair which must be performed in a dirt-free environment by an authorized service center.

IMPORTANT: In order to prevent seal damage and jack failure, never use alcohol, hydraulic brake fluid, or transmission oil in the jack. Use hydraulic jack oil, Chevron Hydraulic Oil AW ISO 32 or its equivalent Unocal Unax AW 150.

4. Every jack owner is responsible for keeping the jack labels clean and readable. Use a mild soap solution to wash external surfaces of the jack but not any moving hydraulic components.
5. Inspect the jack before each use. Do not use the jack if any component is cracked, broken, bent, shows sign of damage or leaks hydraulic fluid. Do not use the jack if it has loose or missing hardware or components, or is modified in any way. Take corrective action before using the jack again.
6. Any hydraulic repairs within the warranty period must be performed by an authorized service center.

TROUBLESHOOTING

PROBLEM	ACTION
1. Unit will not lift rated load.	Purge air from hydraulic system by following procedure under SETUP
2. Unit will not sustain rated load or feels "spongy" under rated load.	Purge air from hydraulic system as above.
3. Unit will not lift to full height.	Purge air from hydraulic system as above.
4. Unit still does not operate.	Contact Sunex authorized hydraulic service center.

LIMITED WARRANTY

SUNEX INTERNATIONAL, INC. WARRANTS TO ITS CUSTOMERS THAT THE COMPANY'S SUNEX TOOLS® BRANDED PRODUCTS ARE FREE FROM DEFECTS IN WORKMANSHIP AND MATERIALS.

Sunex International, Inc. will repair or replace its Sunex Tools® branded products which fail to give satisfactory service due to defective workmanship or materials, based upon the terms and conditions of the following described warranty plans attributed to that specific product.

This product carries a ONE-YEAR warranty. During this warranty period, Sunex Tools will repair or replace at our option any part or unit which proves to be defective in material or workmanship.

Other important warranty information

This warranty does not cover damage to equipment or tools arising from alteration, abuse, misuse, damage and does not cover any repairs or replacement made by anyone other than Sunex Tools® or its authorized warranty service centers. The foregoing obligation is Sunex Tools' sole liability under this or any implied warranty and under no circumstances shall we be liable for any incidental or consequential damages.

NOTE: Some states do not allow the exclusion or limitation of incidental or consequential damages, so the above limitation or exclusion may not apply to you. Return equipment or parts to an authorized service center, transportation prepaid. Be certain to include your name and address, evidence of the purchase date, and description of the suspected defect. If you have any questions about warranty service, please write to Sunex Tools®. This warranty gives you specific legal rights and you may also have other rights which vary from state to state.

Repair kits and replacement parts are available for many of Sunex Tools® products regardless of whether or not the product is still covered by a warranty plan.

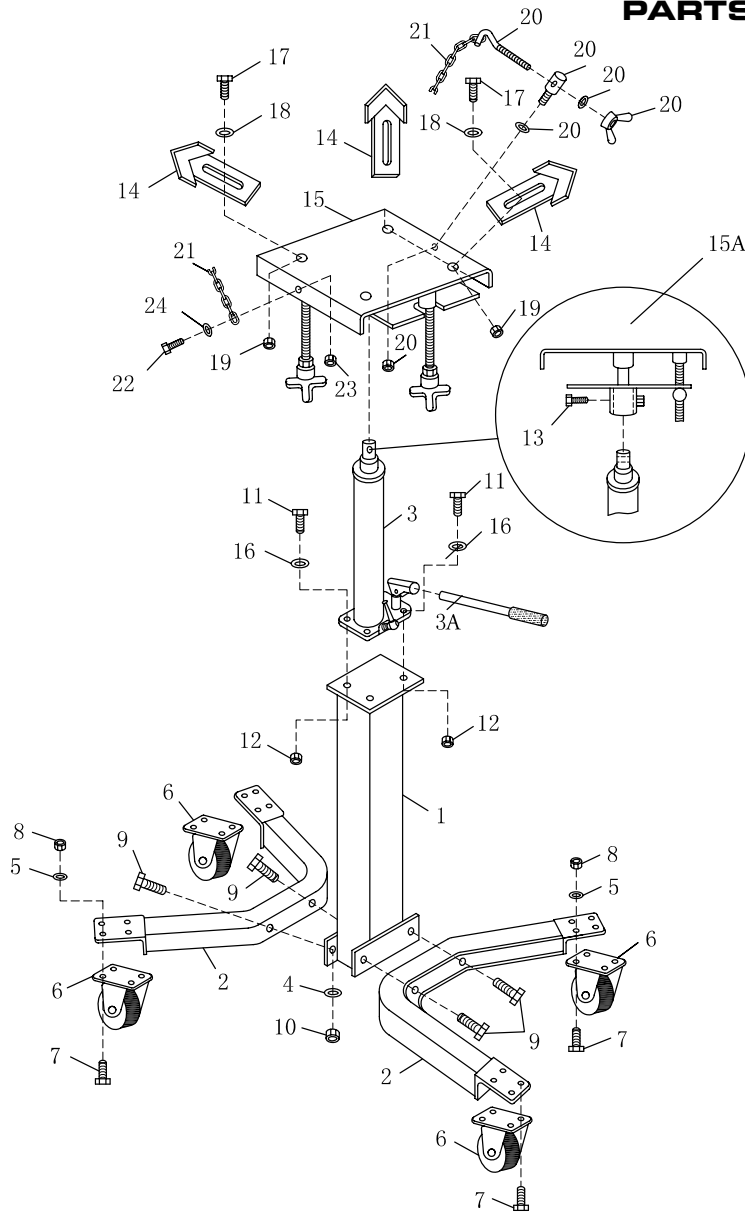
SHIPPING ADDRESS:

Sunex Tools
315 Hawkins Rd.
Travelers Rest, South Carolina 29690

MAILING ADDRESS:

Sunex Tools
P.O. Box 1233
Travelers Rest, South Carolina 29690

PARTS LIST AND DRAWING



Index#	Part#	Description	Qty.	Index#	Part#	Description	Qty.
1	RS540122	Post	1	13	*	Hex Bolt (10x45)	1
2	RS540062	Leg	2	14	RS770008	Finger	4
3	5041B	Hydraulic Jack (Including 3, 3A)	1	15	RS7700B09	Head (includes 13-15, 17-24)	1
3A	RS5040BHDL	Handle for Hydraulic Jack	1	16	*	Washer (M8)	3
4	*	Washer (M12)	4	17	*	Hex Bolt (M12 x 25)	4
5	*	Washer (M8)	16	18	*	Washer (M12)	4
6	RSSC301A	3" Swivel Caster	4	19	*	Hex Nut (M12)	4
7	*	Hex Bolt (M8x20)	16	20	*	Hook Assembly	1
8	*	Lock Washer (M8)	16	21	RS7700CH	Chain	1
9	*	Hex Bolt (M12)	4	22	*	Hex Bolt (M8x30)	1
10	*	Hex Nut (M12)	4	23	*	Hex Nut (M8)	1
11	*	Hex Bolt (M8x30)	3	24	*	Washer (M8)	1
12	*	Hex Nut (M8)	3	25	RS7700BLK	Product Label Kit (not shown)	1

*Included in bolt kit, RS305064 Only items identified by part number are available for purchase.
 Also available: Seal Kit For Hydraulic Jack RS5040BSK.

MANUAL DE OPERACIÓN

CONTENTS:

Página 7	Especificaciones
8	Información de advertencia
9	Montaje, Instrucciones de operación
10	Instrucciones de operación, mantenimiento preventivo y diagnóstico de averías
11	Información de garantía
6	Dibujo de vista ampliada y partes de repuesto



ESPECIFICACIONES

Capacidad:	700 lbs.
Altura baja:.....	49.5"
Altura alta:.....	69.5"
Inclinación de la silla:.....	15° (adelante) / 15° (hacia atrás) / 12° (de lado a lado)
Base:	28.75"x35"
Peso de embarque:	96 lbs.

INFORMACIÓN DE ADVERTENCIA



Este símbolo indica una alerta de seguridad y se usa para advertir sobre peligro de accidentes personales. Observe toda la información de seguridad que sigue a este símbolo para evitar la posibilidad de que ocurran lesiones o muerte.

⚠ ADVERTENCIA

ADVERTENCIA: Indica una situación peligrosa que si no se evita, puede provocar la muerte o lesiones graves.



IMPORTANTE: LEA ESTAS INSTRUCCIONES ANTES DE USAR EL DISPOSITIVO

ANTES DE USAR ESTE DISPOSITIVO, LEA ESTE MANUAL DETENIDAMENTE. PROCURE ENTENDER SUS PROCEDIMIENTOS OPERATIVOS, ADVERTENCIAS DE SEGURIDAD Y FORMA DE MANTENIMIENTO.

El propietario es responsable de asegurarse de que todo el personal lea este manual antes de usar el dispositivo. Asimismo, es responsabilidad del propietario mantener este manual en buenas condiciones en una ubicación conveniente para su consulta. Si las etiquetas del manual o producto son ilegibles o no están en su lugar, deberá ponerse en contacto con Sunex para obtenerlas gratis. El comprador/propietario o una persona designada deberá leer y comentar el producto y las advertencias de seguridad en la lengua materna del operario que no hable inglés fluido, a fin de asegurarse de que comprende el contenido.

NATURALEZA DE LAS SITUACIONES DE RIESGO

⚠ ADVERTENCIA

El uso de dispositivos de elevación de automotores se halla sujeto a ciertos riesgos que no se pueden prever por medios mecánicos, sino por la información, la diligencia y el sentido común. Por lo tanto, es esencial que el uso del dispositivo quede en manos de los propietarios y de personal que sea cuidadoso, competente, capacitado y habilitado para realizar una operación segura. Algunos ejemplos de peligros son dejar caer, inclinar o resbalar las cargas, principalmente como consecuencia de una sujeción incorrecta, sobrecarga, posici

FORMAS DE EVITAR LAS SITUACIONES DE RIESGO

⚠ ADVERTENCIA



- Lea, estudie, comprenda y siga todas las Instrucciones antes de operar este dispositivo.
- Inspeccione el gato antes de cada uso. No use el gato si está dañado, modificado, en pobres condiciones, si haya una fuga de líquido hidráulico o si está inestable debido a alguna ferretería suelta o faltante. Realice las correcciones antes del uso.
- Consulte el fabricante del vehículo para el centro de equilibrio de la transmisión.
- Asegure la transmisión sobre la silla del gato con el sistema de restricción de anclaje provisto antes de levantar o bajar la transmisión.
- Centre la carga sobre la silla. Asegúrese que el montaje esté estable antes de trabajar sobre el vehículo.
- Soporte el motor con una base antes de destornillar la transmisión del motor.
- Lleve puesto protección de ojos la que cumpla con las normas de ANSI Z87.1 ó de OSHA (usuarios y espectadores).
- No use el gato más allá de su capacidad nominal. No ocasione ninguna descarga a la carga.
- Use sólo sobre superficies duras y planas.
- Soporte el vehículo de manera adecuada antes de comenzar las reparaciones.
- El uso de este producto está limitado a la extracción, instalación y transporte en la posición baja, de transmisiones, cajas y transejes.
- No use ningún adaptador, al menos que sea aprobado o provisto por Sunex.
- Siempre baje el gato lentamente y de manera cuidadosa.
- No use (ni altere) este producto para ningún propósito excepto el para el cual fue destinado, sin primero consultar al representante autorizado del fabricante.
- Este producto puede contener sustancias químicas consideradas por el Estado de California como causantes de cáncer, de malformaciones congénitas u otros daños en el sistema reproductivo. *Lávese bien las manos después de manipular el producto.*
- Hacer caso omiso a estas advertencias puede ocasionar lesiones personales serias o fatales y/o daños a la propiedad.



CONSÉQUENCES EN CAS DE SITUATIONS DANGEREUSES

⚠ ADVERTENCIA

L'inobservance des CONSIGNES D'UTILISATION, des MISES EN GARDE, des CONSIGNES D'ENTRETIEN ainsi que des MÉTHODES POUR ÉVITER LES SITUATIONS DANGEREUSES peut causer des accidents ayant pour conséquences des dommages matériels ou des blessures corporelles graves ou mortelles.

MANUAL DE OPERACIÓN

RESPONSABILIDAD DEL PROPIETARIO/USUARIO

El propietario y/o usuario debe contar con una comprensión de las instrucciones de operación y las advertencias del fabricante antes de cada uso del gato para transmisiones. El personal involucrado en la operación del equipo deberá ser cuidadoso, competente, capacitado y calificado en la operación segura del equipo y su uso adecuado al momento de dar mantenimiento a los vehículos motores y sus componentes. La información de advertencia deberá ser enfatizada y comprendida. Si el operador no domina el idioma inglés, las instrucciones y advertencias se le deben ser leídas y discutidas con el operador en su idioma materno por parte del comprador/propietario, asegurándose que el operador comprenda su contenido. El operador y/o usuario deberá estudiar y mantener para consulta futura las instrucciones e información de advertencia pertinente del fabricante. El operador y/o usuario será responsable por mantener legibles e intactos todos las etiquetas de advertencia y los manuales de instrucción. Las etiquetas de repuesto y la literatura están disponibles con el fabricante.

INSPECCIÓN

Debe hacer una verificación visual, antes de utilizar el gato para transmisión y así asegúrese que no haya condiciones anormales tales como daños o piezas faltantes o flojas. Cada uno de los gatos debe estar verificado inmediatamente, por un encargado de un centro del servicio del fabricante, si accidentalmente el producto ha sufrido una carga excesiva o un choque. Cualquier gato que parezca dañado o demasiado gastado, de alguna manera, o que funcione de manera anormal DEBE SER RETIRADO DEL SERVICIO, hasta que las reparaciones necesarias sean realizadas en un centro reconocido de servicio por el fabricante. Recomendamos hacer una verificación anual del gato y sea realizada por un encargado de un centro de servicio reconocido por el fabricante, para reemplazar las piezas defectuosas, las calcomanías o etiquetas de advertencia con las piezas especificadas del fabricante. Una lista de los centros de servicio reconocidos está disponible con el fabricante.

MONTAGE

VEUILLEZ VOUS RÉFÉRER AU DESSIN EXPOSANT LA VUE ÉCLATÉE DANS CE MANUEL AFIN D'IDENTIFIER LES PIÈCES.

1. Sujete las patas #2 al poste #1 con los pernos #9, arandelas #4 y tuercas #10, según se ilustra en el dibujo.
2. Sujete las rodajas giratorias #6 a las patas con los pernos #7, arandelas #5 y tuercas #8 según se ilustra en el dibujo.
3. Sujete el gato #3 a la parte superior del poste #1 usando los pernos #11, las arandelas #16 y las tuercas #12 según se ilustra en el dibujo.
4. Deslice el conjunto de cabeza #15 sobre el eje del gato #3 y alinee los agujeros con el eje del gato con el agujero en la cabeza #15. Sujete la cabeza al eje con el perno #13 provisto.
5. Instale los dedos #14 al conjunto de cabeza #15 usando los pernos #17, arandelas #18 y las tuercas #19 según se ilustra en el dibujo.
6. Sujete un extremo del eslabón de la cadena #21 a la cabeza #15 con el perno #22, arandela #24 y tuerca #23 según se ilustra en el dibujo.
7. Sujete el conjunto de gancho #20 al conjunto de cabeza #15 con la arandela y tuerca provistas, y según se ilustra en el dibujo.
8. A veces se atrapa el aire en el el gato durante el transporte y/o maniobra. La evidencia de un gato con aire atrapado es cuando el recorrido de la bomba se siente esponjado y el gato no bombeará hasta sus recorridos incrementales completos de la bomba.

PARA PURGAR EL AIRE DEL SISTEMA HIDRÁULICO:

- A. Abra la válvula de liberación, al girarla dos rotaciones completas en el contrasentido de las agujas del reloj desde su posición cerrada.
- B. Bombee el gato 15 recorridos incrementales completos de la bomba sin carga aplicada al gato.
- C. Cierre la válvula de liberación al girarla en el sentido de las agujas del reloj hasta que se pare.
- D. Repita los pasos "A." al "D." hasta que se haya purgado todo el aire del sistema.

INSTRUCCIONES DE OPERACIÓN



Ce symbole est le symbole d'alerte de sécurité utilisé dans la section des INSTRUCTIONS D'UTILISATION de ce manuel pour attirer votre attention sur les dangers potentiels de blessures personnelles. Veuillez suivre attentivement toutes les instructions afin d'éviter tout risque de blessure ou de décès.

OPERACIÓN:

1. Levante el vehículo hasta su altura de trabajo deseada y soporte el vehículo de acuerdo con el procedimiento de soporte recomendado por el fabricante de elevación y con todas las instrucciones y advertencias de este manual.
2. Use una base grúa de gato de una clasificación nominal mayor a la del peso del motor, con el fin de soportar el motor antes de desatornillar la transmisión del motor o antes de atornillar la transmisión al motor.
3. Coloque el gato para transmisiones directamente debajo de la transmisión. Bombee el mango del gato con el fin de levantar la silla hasta una altura muy cercana al centro de equilibrio del cárter de aceite de la transmisión pero que no toque la transmisión.
4. Ajuste los dedos en la cabeza con el fin de que la sección dentada de los dedos quepa en la brida de montaje alrededor del perímetro del cárter de aceite de la transmisión. Bombee el gato suavemente y de forma lenta para que se haga una conexión y luego sujete la transmisión a la silla del gato con la cadena provista. Antes de sujetar la carga a la cabeza, a veces será necesario girar las perillas de inclinación de adelante y atrás y de lado a lado con el fin de que la cabeza esté en la alineación adecuada con el cárter de la transmisión.

5. Asegúrese que la cadena esté muy apretada al momento de sujetar la transmisión a la cabeza y antes de elevar o bajar la transmisión.
6. Extraiga la transmisión del motor, según las instrucciones en el manual de servicio del vehículo.
7. Una vez que se haya desconectada la transmisión del motor, gire la válvula de liberación muy lentamente en el contrasentido de las agujas del reloj. Asegúrese que la cabeza del gato y la transmisión no se enreden con ningún componente, alambrado, línea de combustible de debajo del vehículo. Siga bajando la carga completamente hasta abajo.
8. Al momento de instalar una transmisión, siga las instrucciones anteriores pero en orden aplicable y según el procedimiento de instalación de fabricante del vehículo.

MANTENIMIENTO PREVENTIVO



Este es el símbolo de alerta de seguridad usado para la sección de **MANTENIMIENTO PREVENTIVO** de este manual para alertarle a usted de los peligros de lesión personal potenciales. Obedezca todas las instrucciones con el fin de evitar lesiones potenciales o aún la muerte.

1. Siempre almacene el gato en un área bien protegida donde no estará expuesto a las inclemencias del tiempo, vapores corrosivos, polvo abrasivo o ningún otro elemento dañino. El gato debe de estar limpiado de agua, nieve, arena o arenilla antes de usarse.
2. El gato debe ser lubricado periódicamente con el fin de prevenir el desgaste prematuro de las partes. Un aceite de uso general debe aplicarse a todas los accesorios, ruedas de rodaja, pernos de inclinación pero no a ningún componente hidráulico. Las partes desgastadas ocasionadas por una lubricación inadecuada o faltante no son elegibles para consideraciones de garantía.
3. No será necesario rellenar ni llenar al tope el depósito con líquido hidráulico, al menos que haya una fuga externa. Una fuga externa requiere la reparación inmediata la cual debe realizarse en un ambiente libre de suciedad por parte de un centro de servicio autorizado.

IMPORTANTE: Con el fin de prevenir daños al sello y la falla de gato, nunca use alcohol, líquido de freno hidráulico ni aceite para transmisiones en el gato. Use aceite hidráulico AW ISO 32 de Chevron o su equivalente Unocal Unax AW 150.

4. Cada propietario de gato es responsable por mantener limpias y legibles las etiquetas del gato. Use una solución de jabón para lavar las superficies externas del gato pero no para los componentes hidráulicos móviles.
5. Inspeccione el gato antes de cada uso. No use el gato si cualquier componente esté agrietado, roto, doblado o si muestra señas de daños o fugas de líquido hidráulico. No lo use si el gato cuenta con ferretería o componentes flojas o faltantes o si este ha sido modificado de cualquier forma. Tome acción correctiva antes de usar el gato de nuevo.
6. Cualquier reparación hidráulica dentro del periodo de garantía debe realizarse por parte de un centro de servicio autorizado.

DIAGNÓSTICO DE AVERÍAS

PROBLEMA	ACCIÓN
1. El equipo no levantará la carga nominal.	Expulsa el aire del sistema hidráulico al seguir el procedimiento bajo LAS INSTRUCCIONES DE OPERACIÓN
2. El equipo no sostendrá la carga nominal o se siente "esponjosa" bajo la carga nominal.	Expulsa el aire del sistema hidráulico como indicado anteriormente. esponjoso bajo la carga.
3. El equipo no levantará la carga hasta la altura normal	Expulsa el aire del sistema hidráulico como indicado anteriormente. Revisa que los niveles de aceite no estén ni altos ni bajos.
4. El equipo aún no funciona.	Comuníquese con un centro de servicio hidráulico autorizado de Sunex

GARANTÍA LIMITADA

SUNEX INTERNATIONAL, INC., LE GARANTIZA A SUS CLIENTES QUE LAS HERRAMIENTAS Y PRODUCTOS CON LA MARCA DE LA EMPRESA SUNEX TOOLS SON LIBRES DE DEFECTOS EN CUANTO A SU MANO DE OBRA Y MATERIAS PRIMAS.

Sunex International, Inc., reparará o repondrá sus productos con la marca Sunex Tools® los que fallen en brindar un funcionamiento satisfactorio debido a una mano de obra o materias primas defectuosas, tomando como base las cláusulas y condiciones de los planes de garantía descritos a continuación y asignados a dicho producto específico. Este producto tiene una garantía de UN AÑO. Durante este periodo de garantía, Sunex Tools reparará o repondrá, a nuestra discreción, cualquier parte o unidad la cual demuestra ser defectuosa en cuanto a material o mano de obra se refiere.

Otra importante información de la garantía...

Esta garantía no cubre daños a equipo o herramientas debido a modificaciones, abuso, mal uso o daños y no cubre ninguna reparación o sustitución hecha por ninguna persona que no sea Sunex Tools o alguno de sus centros de servicio de garantía autorizados. La obligación anterior es la única responsabilidad de Sunex Tools® bajo ésta o cualquier otra garantía implícita y bajo ninguna circunstancia seremos nosotros responsables por ningún daño incidental o consecuencial.

NOTA: Algunos estados no permiten la exclusión ni limitación de daños incidentales y consecuenciales por lo que la limitaciones o exclusión anterior puede no ser aplicable para usted. Devuelva el equipo o partes a un centro de servicio autorizado, con el flete prepagado. Asegúrese de incluir su nombre y dirección, comprobación de la fecha de compra, y la descripción del defecto sospechado. Si usted tiene alguna pregunta acerca del servicio de garantía, escriba por favor a Sunex Tools. Esta garantía le brinda derechos legales específicos y usted puede contar con otros derechos adicionales los cuales varían de estado a estado.

Están disponibles equipos de reparación y partes de sustitución para muchos de los productos de Sunex Tools, independientemente del hecho de que el producto aún esté cubierto o no por un plan de garantía

DIRECCIÓN DE ENVÍO:

Sunex Tools
315 Hawkins Rd.
Travelers Rest, South Carolina 29690

DIRECCIÓN DE CORREOS:

Sunex Tools
P.O. Box 1233
Travelers Rest, South Carolina 29690

MANUEL D'OPERATION

CONTENU:

Page 12 Spécifications
 13 Information de mise en garde
 14 Montage, instructions d'utilisation
 15 Instructions d'utilisation, entretien préventif et dépannage
 16 Renseignements sur la garantie
 6 Dessin de vue éclatée et pièces de rechange



SPECIFICATIONS

Capacité.....	700 lb
Hauteur minimale	49 1/2 po
Hauteur maximale	69 1/2 po
Selle 15° (inclinaison avant) / 15° (Inclinaison arrière) / 12° (la selle latéralement)	
Base.....	28 3/4 po x 35 po
Poids d'expédition	96 lb

AVERTISSEMENTS



Ce symbole indique un danger potentiel. Il est utilisé pour avertir l'utilisateur des risques potentiels de blessures corporelles. Prière de respecter toutes les consignes de sécurité qui suivent ce symbole afin d'éviter les blessures ou la mort potentielles.

AVERTISSEMENT

AVERTISSEMENT : Ce symbole indique une situation dangereuse qui pourrait causer la mort ou des blessures graves si elle n'est pas évitée.



IMPORTANT : LIRE CES CONSIGNES AVANT L'UTILISATION.

PRIÈRE DE LIRE CES CONSIGNES ATTENTIVEMENT ET DE S'ASSURER DE BIEN COMPRENDRE LES PROCÉDURES D'UTILISATION, LES AVERTISSEMENTS DE SÉCURITÉ ET LES BESOINS EN MATIÈRE D'ENTRETIEN DE L'OUTIL AVANT DE L'UTILISER.

Le propriétaire doit s'assurer que tous les employés lisent ce manuel avant d'utiliser l'outil. Le propriétaire de l'outil doit aussi maintenir ce manuel en bon état et le ranger dans un endroit facilement accessible à tous ceux qui doivent le lire. Si le manuel ou les étiquettes de l'outil sont perdus ou illisibles, communiquer avec Sunex pour obtenir un remplacement. Si l'utilisateur ne parle pas couramment le français, les consignes de sécurité et le mode d'emploi de l'outil devront lui être lues à haute voix et être discutées avec l'utilisateur, dans sa langue maternelle, par le propriétaire/acheteur ou une personne désignée, afin d'assurer que l'utilisateur en comprenne le bien le contenu.

LE TYPE DE SITUATIONS DANGEREUSES

AVERTISSEMENT

L'utilisation de dispositifs de levage portatifs pour automobiles expose l'utilisateur à certains dangers qui ne peuvent pas être évités par des moyens mécaniques, mais seulement en faisant preuve d'intelligence, d'attention et de bon sens. Il est donc essentiel que les propriétaires et les employés qui utiliseront ce dispositif soient prudents, compétents, qualifiés et formés à l'utilisation sécuritaire de l'équipement. Des exemples de dangers comprennent le renversement, le glissement ou la chute soudaine de la charge. Ces dangers sont principalement imputables à une charge mal répartie, une utilisation sur une surface meuble ou inclinée, ou une utilisation à des fins autres que celles pour lesquelles le dispositif a été conçu.

MÉTHODES POUR ÉVITER LES SITUATIONS DANGEREUSES

AVERTISSEMENT



- Lire, étudier, s'assurer de bien comprendre et de suivre les directives avant d'utiliser ce dispositif.
- Inspecter le cric avant chaque utilisation. Ne pas utiliser le cric s'il est endommagé, altéré, modifié ou en mauvais état, si le liquide hydraulique fuit ou si le cric est instable en raison de pièces manquantes ou lâches. Apporter les correctifs requis ou les réparations nécessaires avant l'utilisation.



- Consulter le fabricant du véhicule pour connaître le centre de gravité de la transmission.
- Bien fixer la transmission à la selle du cric à l'aide du système de retenue intégré avant de lever ou d'abaisser la transmission.
- Centrer la charge sur la selle. S'assurer de la stabilité du cric et de la charge avant de travailler sur le véhicule.
- Soutenir le moteur à l'aide d'un support avant la dépose de la transmission du moteur.
- Porter des lunettes de protection conformes à la norme ansi z87.1 Et aux normes de l'osha (utilisateurs et spectateurs).
- Ne pas utiliser le cric pour soulever une charge supérieure à sa capacité nominale. Éviter un effet de choc sur la charge.
- Utiliser uniquement sur une surface solide et horizontale.
- Soutenir adéquatement le véhicule avant de commencer les réparations.
- L'utilisation de ce produit doit se limiter à la dépose, l'installation et le transport dans une position abaissée de transmissions, de boîtes de transfert et de boîtes-ponts.
- Ne pas utiliser d'adaptateurs autres que ceux approuvés ou fournis par Sunex®.
- Toujours abaisser le cric lentement et avec précaution.
- Ne pas utiliser (ni modifier) ce produit pour une utilisation autre que celle pour laquelle il a été conçu sans consulter le représentant autorisé du fabricant.
- Ce produit peut contenir des produits chimiques reconnus par l'État de la Californie comme causant le cancer, des anomalies congénitales ou d'autres effets nuisibles sur la reproduction. *Se laver minutieusement les mains après avoir utilisé le produit.*
- Le non-respect de ces directives peut provoquer des dommages matériels ou des blessures graves ou mortelles.

CONSÉQUENCES EN CAS DE SITUATIONS DANGEREUSES

AVERTISSEMENT

L'inobservance des CONSIGNES D'UTILISATION, des MISES EN GARDE, des CONSIGNES D'ENTRETIEN ainsi que des MÉTHODES POUR ÉVITER LES SITUATIONS DANGEREUSES peut causer des accidents ayant pour conséquences des dommages matériels ou des blessures corporelles graves ou mortelles.

MANUEL DU PROPRIÉTAIRE

RESPONSABILITÉS DU PROPRIÉTAIRE/USAGER

Le propriétaire et/ou l'utilisateur doivent chacun comprendre les instructions d'utilisation et les mises en garde avant d'utiliser le cric pour transmission. Les membres du personnel impliqués dans l'utilisation et le fonctionnement de l'équipement doivent être prudents, compétents, formés et qualifiés pour utiliser cet équipement correctement et de façon sécuritaire lorsqu'ils font l'entretien des véhicules à moteur et de leurs composantes. Il faut clairement souligner l'importance des instructions de mise en garde qui devraient être bien comprises. Si la maîtrise de l'anglais de l'opérateur est parfaite, les instructions et mises en garde du fabricant doivent être lues et revues avec l'opérateur dans la langue maternelle de ce dernier par l'acheteur/propriétaire, lequel s'assurera que l'opérateur en comprend tous les détails.

Le propriétaire et/ou l'utilisateur doivent chacun étudier et conserver à titre de référence future les Instructions du fabricant et les instructions de mise en garde pertinentes. Le propriétaire et/ou l'utilisateur ont chacun la responsabilité de conserver intacts et lisibles tous les manuels d'instructions et les étiquettes de mise en garde. Des étiquettes et de la documentation de remplacement sont à la disposition des personnes qui en ont besoin chez le fabricant.

INSPECTION

Une vérification visuelle devrait être faite avant chaque utilisation du cric utilitaire, pour s'assurer qu'il n'y ait pas de conditions anormales comme des dommages, pièces manquantes ou desserrées. Chaque cric utilitaire doit être vérifié immédiatement, par un employé d'un centre de service du fabricant, si accidentellement le produit a subi une charge excessive ou un choc. Tout cric utilitaire qui paraît endommagé de quelque façon, qui semble trop usé ou qui fonctionne de manière anormale DOIT ÊTRE RETIRÉ DU SERVICE, jusqu'à ce que les réparations nécessaires aient été effectuées à un centre de service reconnu par le fabricant. Il est recommandé qu'une vérification annuelle du cric utilitaire soit effectuée par un employé d'un centre de service reconnu par le fabricant, afin de remplacer toutes pièces défectueuses, autocollants ou étiquettes de mise en garde par des pièces de remplacement spécifiées par le fabricant. Une liste des centres de service reconnus est disponible auprès du fabricant. Une liste des installations de réparation autorisées est disponible auprès du fabricant.

MONTAGE

VEUILLEZ VOUS RÉFÉRER AU DESSIN EXPOSANT LA VUE ÉCLATÉE DANS CE MANUEL AFIN D'IDENTIFIER LES PIÈCES.

1. Fixez les pattes #2 au poteau #1 avec les boulons #9, les rondelles #4 et les écrous #10 ainsi que l'indique le dessin.
2. Attachez les roulettes pivotantes #6 aux pattes avec les boulons #7, les rondelles #5 et les écrous #8 comme l'indique le dessin.
3. Fixez le cric #3 à la partie supérieure du poteau #1 en utilisant les boulons #11, les rondelles #16 et les écrous #12 comme illustré dans le dessin.
4. Glissez l'assemblage de tête #15 sur le vérin du cric #3 et alignez les trous du vérin du cric avec le trou se trouvant dans la tête #15. Fixez la tête au vérin avec le boulon #13 à votre disposition.
5. Installez les doigts #14 à l'assemblage de tête en utilisant les boulons #17, les rondelles #18 et les écrous #19 comme l'indique le dessin.
6. Fixez le maillon d'un bout de la chaîne #21 à la tête #15 avec le boulon #22, la rondelle #24 et l'écrou #23 comme illustré dans le dessin.
7. Fixez le crochet #20 à l'assemblage de tête #15 avec la rondelle et l'écrou fournis comme illustré dans le dessin.
8. Il arrive parfois que de l'air soit emprisonné dans le cric lors de la manutention et/ou de l'expédition. Les signes de présence d'air dans un cric sont une mollesse dans l'actionnement de la pompe et une poussée incomplète du cric lors des mouvements de pompage.

POUR PURGER L'AIR DU SYSTÈME HYDRAULIQUE :

- A. Ouvrez la valve de vidange en lui imprimant deux rotations complètes dans le sens contraire des aiguilles d'une montre à partir de sa position fermée.
- B. Pompez le cric, sans aucune charge dessus, avec 15 mouvements de pompe complets.
- C. Fermez la valve de vidange en la tournant dans le sens des aiguilles d'une montre jusqu'à ce qu'elle cesse de tourner.
- D. Répétez les étapes « A » à « D » jusqu'à ce que tout l'air ait été expulsé.

INSTRUCTIONS D'UTILISATION



Ce symbole est le symbole d'alerte de sécurité utilisé dans la section des INSTRUCTIONS D'UTILISATION de ce manuel pour attirer votre attention sur les dangers potentiels de blessures personnelles. Veuillez suivre attentivement toutes les instructions afin d'éviter tout risque de blessure ou de décès.

FONCTIONNEMENT :

1. Élevez le véhicule à la hauteur désirée et maintenez-le dans cette position conformément aux instructions et recommandations du fabricant du pont élévateur ainsi qu'aux instructions et mises en garde de ce manuel.
2. Utilisez un support pour dessous de pont élévateur d'une capacité dépassant celle du véhicule pour supporter le véhicule avant de déboulonner la transmission du moteur ou de la re-boulonner.

3. Placez le cric de transmission directement en dessous de celle-ci. Pompez la poignée du cric de façon à élever la selle à une hauteur très rapprochée du centre du point d'équilibre du carter d'huile à transmission mais sans toucher la transmission.
4. Ajustez les doigts sur la tête afin que la section coudée des doigts puisse s'insérer dans la bride de montage autour du périmètre du carter d'huile de transmission. Actionnez la pompe du cric, lentement et doucement, jusqu'à ce que la connexion se fasse puis fixez la transmission à la selle du cric avec la chaîne qui s'y trouve. Il est parfois nécessaire de tourner les boutons d'Inclinaison avant, arrière et latérale afin d'aligner correctement la tête du cric avec le carter d'huile avant d'attacher la transmission à la tête.
5. Assurez-vous que la chaîne est très tendue lorsque vous attacherez la transmission à la tête pour ensuite lever ou abaisser la transmission.
6. Retirez la transmission du moteur selon les Instructions du manuel de service du véhicule.
7. Une fois la transmission déconnectée du moteur, tournez très lentement la valve de vidange dans le sens opposé à celui des aiguilles d'une montre. Assurez-vous que la tête du cric et la transmission ont la voie dégagée pour descendre et qu'il ne se trouve aucun élément de la voiture, ni filage, ni tubes, etc. pour l'obstruer. Continuez à abaisser la charge jusqu'en bas.
8. Au moment d'installer la transmission, suivez les Instructions ci-dessus dans l'ordre inverse et selon les instructions d'installation du fabricant.

ENTRETIEN PRÉVENTIF

Ce symbole est le symbole d'alerte de sécurité utilisé pour la section d'ENTRETIEN PRÉVENTIF de ce manuel pour attirer votre attention sur les dangers potentiels de blessures personnelles. Veuillez suivre attentivement toutes les instructions afin d'éviter tout risque de blessure ou de décès.

1. Entrez le cric dans un endroit bien protégé où il ne sera pas exposé à des intempéries, des vapeurs corrosives, de la poussière abrasive ou tout autre élément nocif. Le cric doit être nettoyé de saletés telles que l'eau, la neige, le sable ou le gravillon avant son utilisation.
2. Le cric doit être lubrifié régulièrement afin de prévenir l'usure prématurée des pièces. Une graisse tout-usage doit être appliquée sur tous les raccords, les roues, les vis d'inclinaisons mais pas sur les composants hydrauliques. Les pièces qui auraient été détériorées en raison d'une lubrification manquante ou inadéquate ne pourront être prises en compte dans une réclamation au titre de la garantie.
3. Il ne devrait pas être nécessaire de remplir à nouveau ou jusqu'à ras bord le réservoir avec du liquide hydraulique, à moins d'une fuite externe. Une fuite de ce type exige une réparation immédiate à être effectuée dans un environnement exempt de saletés et par un centre de service agréé.

IMPORTANT: Pour éviter des endommagements au joint et une défaillance du cric, ne jamais utiliser d'alcool, de liquide de frein hydraulique ou de l'huile de transmission dans le cric. Utilisez l'huile hydraulique chevron AW 150 32 ou son équivalent Unocal Unax AW150.

4. Le propriétaire de tout cric a la responsabilité de garder les étiquettes du cric propres et lisibles. Utilisez une solution savonneuse douce pour laver les surfaces externes du cric en évitant de toucher les composants hydrauliques mobiles.
5. Vérifiez le cric avant chaque utilisation. Ne l'utilisez pas si une pièce est fissurée, cassée, pliée ou s'il montre des signes d'endommagement ou de fuite de liquide hydraulique. N'utilisez pas le cric si l'une ou l'autre de ses composantes est desserrée, manquante ou modifiée de quelque façon que ce soit. Assurez-vous d'avoir corrigé les éléments inadéquats avant de le ré-utiliser.
6. Toute réparation hydraulique effectuée durant la durée de la garantie doit être faite par un centre de service agréé.

DÉPANNAGE

PROBLÈME	ACTION
1. L'unité ne lèvera pas la charge prescrite.	Purger l'air du système hydraulique en suivant la procédure selon la configuration.
2. L'unité ne supportera pas la charge prescrite ou est 'spongieuse' sous la charge prescrite.	Purger l'air du système hydraulique comme mentionné ci-dessus.
3. L'unité ne lèvera pas à hauteur complète.	Purger l'air du système hydraulique comme mentionné ci-dessus ou vérifier le niveau de l'huile dans le réservoir.
5. L'unité ne fonctionne toujours pas.	Veuillez communiquer avec le centre de service hydraulique autorisé de Sunex.

GARANTIE LIMITÉE

SUNEX INTERNATIONAL, INC. GARANTIT À SES CLIENTS QUE LES OUTILS DE MARQUE SUNEX TOOLS SONT EXEMPTS DE DÉFAUTS DE MAIN D'ŒUVRE ET DE MATÉRIAU

Sunex International, Inc. réparera ou remplacera ses outils de marque Sunex Tools® qui ne donnent pas un service satisfaisant à cause d'un défaut de main d'œuvre ou de matériau, selon les termes et conditions décrits ci-dessous dans les plans de garantie correspondant à ce produit spécifique. Ce produit a une garantie de UN AN. Pendant la période de garantie, Sunex Tools® réparera ou remplacera, à sa seule discrétion, toute pièce ou tout appareil dont il a été déterminé qu'il comporte un défaut de matériau ou de main d'œuvre.

Autres informations importantes sur la garantie...

Cette garantie ne couvre pas les dommages à de l'équipement ou à des outils modifiés, sujets à des abus ou à une utilisation incorrecte, ou encore endommagés; elle ne couvre pas les réparations ou le remplacement effectué par quiconque autre que Sunex Tools® ou ses centres de services de garantie autorisés. L'obligation qui précède constitue la seule responsabilité de Sunex Tools® en vertu de cette garantie ou de toute garantie implicite; et en aucun cas Sunex Tools® ne pourra être responsable pour des dommages indirects ou consécutifs. Remarque : Certaines juridictions ne permettent pas l'exclusion ou la limitation des dommages indirects ou consécutifs; la limitation ou l'exclusion ci-dessus pourrait donc ne pas s'appliquer à votre cas. Retourner l'équipement ou les pièces à Sunex Tools®, ou à un centre de service de garantie autorisé, port prépayé. S'assurer d'inclure votre nom, votre adresse, une preuve de la date d'achat et la description de la défaillance présumée. Veuillez adresser par écrit toutes vos questions sur le service de garantie à Sunex Tools®. Cette garantie donne à l'acheteur des droits juridiques spécifiques ainsi que certains autres droits qui peuvent varier selon la juridiction. Après échéance de la garantie de remplacement direct d'un an, certaines pièces de service seront disponibles à l'achat par l'entremise des options de services normaux de Sunex Tools®.

ADRESSE DE LIVRAISON:

Sunex Tools
315 Hawkins Rd.
Travelers Rest, South Carolina 29690

ADRESSE POSTAL:

Sunex Tools
P.O. Box 1233
Travelers Rest, South Carolina 29690