

BLACK & DECKER®

GG500S - CORD FREE GLUE GUN

INSTRUCTION MANUAL

**BEFORE RETURNING THIS PRODUCT
FOR ANY REASON PLEASE CALL
1-800-544-6986**

**IF YOU SHOULD HAVE A QUESTION OR
EXPERIENCE A PROBLEM WITH YOUR
BLACK & DECKER PRODUCT,
CALL 1-800-544-6986**

BEFORE YOU CALL, HAVE THE FOLLOWING INFORMATION
AVAILABLE, CATALOG No., TYPE No., AND DATE CODE (e.g. 0130M).

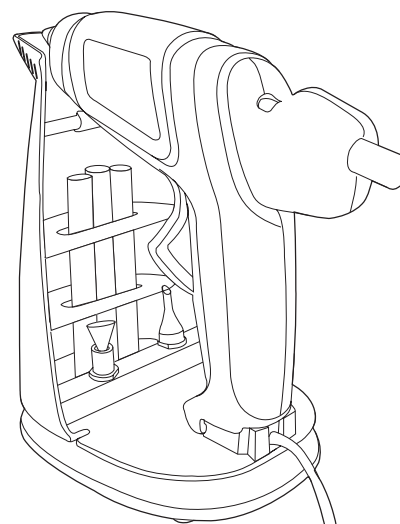
IN MOST CASES, A **BLACK & DECKER** REPRESENTATIVE CAN
RESOLVE YOUR PROBLEM OVER THE PHONE. IF YOU HAVE A
SUGGESTION OR COMMENT, GIVE US A CALL. YOUR FEEDBACK IS
VITAL TO BLACK & DECKER.

SAVE THIS MANUAL FOR FUTURE REFERENCE.

VEA EL ESPAÑOL EN LA CONTRAPORTADA.

POUR LE FRANÇAIS, VOIR LA COUVERTURE ARRIÈRE.

INSTRUCTIVO DE OPERACIÓN, CENTROS DE SERVICIO Y
PÓLIZA DE GARANTÍA. **ADVERTENCIA:** LEÁSE ESTE
INSTRUCTIVO ANTES DE USAR EL PRODUCTO.



Welcome to the Wonderful World of Black & Decker Craft Products.

Your new Cord Free Glue Gun is designed to apply hot melt glues to almost any surface in a smooth, easy manner. Its solid state heater melts the glue and trigger pressure forces it through the nozzle to be applied wherever necessary. You'll find dozens of uses in the workshop and around the house for this versatile tool.

Various formulations of glue are available to meet the requirements of different applications.

For personal safety and for proper operation of your Glue Gun, please take the time to carefully read and understand all of the safety rules and instructions in this booklet.

Thank you for selecting Black & Decker!

⚠ **IMPORTANT SAFETY RULES**

⚠ **WARNING: Read and understand all instructions.** Failure to follow all instructions listed below may result in electric shock, fire and/or serious personal injury.

SAVE THESE INSTRUCTIONS

⚠ **WARNING:** When using Electric Tools, basic safety precautions should always be followed to reduce the risk of fire, electric shock, and personal injury, including the following:

1. **KEEP WORK AREA CLEAN.** Cluttered areas and benches invite injuries.
2. **CONSIDER WORK AREA ENVIRONMENT.** Don't expose power tools to rain. Don't use power tools in damp or wet locations. Keep work area well lit.
3. **KEEP CHILDREN AWAY.** All visitors should be kept away from work area. Do not let visitors contact tool or extension cord. Supervise the use of this tool by children.
4. **STORE IDLE TOOLS.** When not in use, tools should be stored in dry, high or locked-up place — out of reach of children.
5. **USE SAFETY GLASSES.**
6. **DON'T ABUSE CORD.** Never carry tool by cord or yank it to disconnect from receptacle. Keep cord from heat, oil, and sharp edges.
7. **DON'T OVERREACH.** Keep proper footing and balance at all times.
8. **DISCONNECT TOOLS.** When not in use, before servicing and when changing accessories.
9. This tool is recommended for indoor use only
10. **STAY ALERT.** Watch what you are doing. Use common sense. Do not operate tool when you are tired.
11. **DO NOT TOUCH THE HEATED NOZZLE OF THE GLUE GUN OR THE HOT MELT GLUE.** The operating temperature of this tool is 390°F (199 °C). Do not allow contact with skin or surfaces not intended to be glued.

12. **NEVER** attempt to use any material other than recommended glue sticks, sealer, or caulk sticks in the glue gun. For example: Do not attempt to melt crayons or candles. Permanent damage to the glue gun could result.
 13. **DO NOT** use hot melt glue to take the place of structural fasteners.
 14. The glue sticks used with this glue gun will begin to soften at about 140°F. **Don't use the glue on objects that should not be subjected to temperatures of 140°F (60 °C) or above.**
 15. **DO NOT ATTEMPT TO REMOVE THE UNUSED PORTION OF A GLUE STICK FROM THE TOOL.**
 16. **NEVER** attempt to force cool the gun after use by immersing any part of it in water or any other liquid. Allow the gun to air cool only.
 17. **ALWAYS BE SURE THAT THE GLUE GUN IS COOL BEFORE STORING IT OR CHANGING NOZZLES.**
 18. **THE GLUE GUN IS ON** as soon as it is seated in the cradle and the cord is plugged in.
 19. **WHEN NOT IN USE, DO NOT LEAVE THE GLUE GUN PLUGGED IN FOR AN EXTENDED TIME. DO NOT LEAVE UNATTENDED.**
 20. **AVOID ACCIDENTAL GLUE DISCHARGE.** Feeding or pushing glue sticks with too much force into a heated gun may damage glue gun cause hot glue to be unexpectedly expelled from nozzle.
 21. **DO NOT** store glue sticks in direct sunlight for extended periods.
 22. **ALWAYS** work in a well ventilated area.
- NOTE:** This tool will become quite warm during use. This is normal and does not indicate a problem. Avoid contact with top housing surface.

⚠ **WARNING:** This product contains chemicals, including lead, known to the state of California to cause cancer, and birth defects or other reproductive harm. **Wash hands after handling.**

First Aid Measures for Glue Sticks

Glue sticks are not intended for ingestion and should not come in contact with food, etc. If swallowed, seek medical attention. Material Safety Data Sheet (MSDS) available from **1-800-544-6986**.

Extension Cords

Only round jacketed extension cords should be used and we recommend that they be listed by Underwriters' Laboratories (U.L.). An extension cord must have adequate wire size (AWG or American Wire Gauge) for safety, and to prevent loss of performance. The smaller the gauge number of the wire, the greater the capacity of the cable; that is, 16 gauge has more capacity than 18 gauge. When using more than one extension cord to make up the total length, be sure each individual extension contains at least the minimum wire size.

To determine the minimum size required, refer to the chart below: Before using an extension cord, inspect it for loose or exposed wires, damaged insulation and defective fittings. Make any needed repairs or replace the cord if necessary. Black & Decker has extension cords available that are U.L. listed.

Minimum Gauge for Cord Sets						
Volts	Total Length of Cord in Feet					
120V	0-25	26-50	51-100	101-150		
240V	0-50	51-100	101-200	201-300		
Ampere Rating						
More Than	Not more Than	American Wire Gauge				
0	- 6	18	16	16	14	
6	- 10	18	16	14	12	
10	- 12	16	16	14	12	
12	- 16	14	12	Not Recommended		

SAVE THESE SAFETY RULES FOR FUTURE USE

Operation

NOTE: Protect what is under the workpiece with a heat resistant material to avoid heat damage to a table. etc.

Insert stick of hot melt adhesive into inlet tube of melt chamber

through back of gun. (For best results, use 4" or longer sticks). Squeeze trigger to set adhesive stick firmly in chamber.

Set glue gun into cradle as shown in **figure 1**.

Note: The channel around the bottom of the base serves as a cord wrap for the cord. If needed, fully unwrap cord. Plug cord into a 120 Volt AC outlet and wait for "Ready for Use Indicator" to turn from **GRAY** to **RED**. See **figure 2**.

⚠ WARNING: If gun is seated in cradle it will turn "ON" as soon as the cord is plugged in.

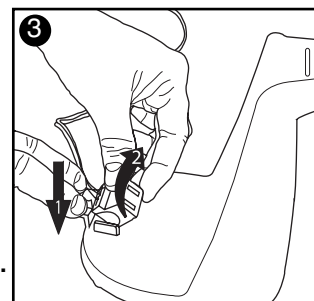
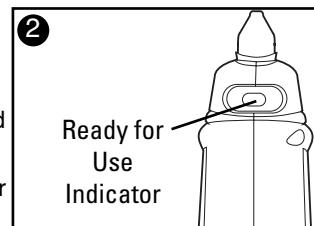
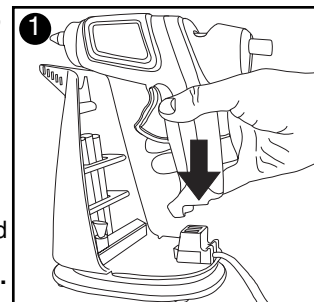
Apply glue by squeezing trigger. The further the trigger is pulled, the more glue will flow out of nozzle. When gun stops feeding glue, release trigger and squeeze again for additional flow. When glue stick is depressed to the level of the inlet tube lip, insert another stick.

When glue gun cord is removed from the cradle, it will begin to cool off. When the ready for use indicator changes to gray, or when the glue is no longer flowing easily, replace the gun in the cradle.

For heavier duty use the glue gun can be used as a plugged in unit away from it's base.

To use as a plugged in unit:

- 1.) Make sure unit is cool.
- 2.) Unwind cord from cord wrap.
- 3.) Push down on the two tabs in front of the receptacle as shown in **figure 3**. Rotate the receptacle toward the



inside of the base and lift the receptacle and cord out of the holder.
4.) Rotate stand forward as shown in **figure 4**.

NOTE: Make sure unit is "OFF" and cool before adjusting kickstand. We recommend placing a piece of scrap material under nozzle to prevent damage to surface unit is resting on.

5.) Insert receptacle into the handle of the glue gun (cord facing back of unit). Plug cord into a 120 Volt AC outlet and wait for "Ready for Use Indicator" to turn from **GRAY** to **RED** or when glue starts flowing.

⚠ **CAUTION:** Feeding or pushing glue sticks with too much force into a heated gun may cause hot adhesive to be unexpectedly expelled from nozzle.

NOTE: Some materials can be damaged by the hot nozzle or even the hot glue. Where this is a concern, test a piece of scrap material or a portion of the object being repaired that will not be visible.

When all gluing operations are completed, place the gun back in the cradle and unplug the cord to allow the gun to cool to room temperature. **DO NOT ATTEMPT TO PULL THE UNUSED STICK FROM GUN AFTER USE.** Any unused adhesive can be reheated and used at a future date without any loss of bonding strength.

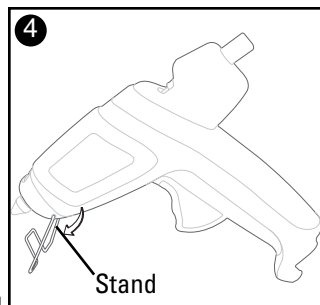
⚠ **CAUTION:** Do not confine the glue gun in an area where the heat cannot dissipate.

⚠ **CAUTION:** Make sure the gun is cooled down before putting in storage.

Changing Nozzles

There are three different nozzles:

- Standard
- Wide
- Extended Angle



⚠ **CAUTION:** Make sure the nozzle is cool and the gun is unplugged before changing nozzles.

To change a nozzle, a wrench is included and stores in the base. Note that a nozzle tip can be aligned independent of the nozzle base and then tightened with the wrench.

Tips On Using Your Cord Free Glue Gun

1. Choose the right glue stick for the right application. High or multi-temperature round glue sticks only.
2. Make sure the surfaces are clean and free from dirt or oily films. Clean surfaces always bond best so take time to prepare the surfaces prior to gluing.
3. There is no need to spread the hot glue. Just simply apply and position the surfaces together squeezing slightly to ensure even spreading.
4. It's always best to work in a room with an ambient temperature of 68 to 72 degrees F (20 °C et 22 °C). Extreme cold will quicken adhesive set-up time (the time it takes the adhesive to harden). Heat will extend it.
5. You can extend set-up time by slightly prewarming the surfaces to be glued with a hand held hair dryer. The heat will allow additional time to position difficult objects and also to ensure better bonding of more difficult substrates (surfaces to be bonded).
6. Glue drying time can also be controlled somewhat by the method of application. Large heavy pools of adhesive will take up to fifty percent longer to dry than normal size drops. Very thin beads will dry in as few as 10 seconds. Some experimentation with your glue gun on scrap material will help to determine the best method to use for your particular project.
7. Use hot melt glue to hold projects together while you install more permanent fasteners like nails, screws, bolts, etc. This makes the whole project stronger and eliminates the need for clamps.
8. Some paints and stains containing petroleum distillates can weaken the adhesive. Test before using. You may need to paint or stain before gluing.

9. Excess adhesive may be removed by scraping, peeling, or remelting with hot tip of gun. Adhesive may be removed from fabric by dry cleaning.

Cleaning

Use only mild soap and a damp cloth to clean the tool. Many household cleaners contain chemicals which could seriously damage the plastic. Also, do not use gasoline, turpentine, lacquer or paint thinner, dry cleaning fluids or similar products. Never let any liquid get inside the tool; never immerse any part of the tool into a liquid.

Important

To assure product SAFETY and RELIABILITY, repairs, maintenance and adjustments should be performed by Black & Decker Service Centers or other qualified personnel. This tool contains no customer serviceable components.

Service Information

Whether you need technical advice, repair, or genuine factory replacement parts, contact the Black & Decker location nearest you. To find your local service location, refer to the yellow page directory under "Tools-Electric" or call: **1-800-54-HOW TO (544-6986)**.

Full Two-Year Home Use Warranty

Black & Decker (U.S.) Inc. warrants this product for two years against any defects in material or workmanship. The defective product will be replaced or repaired at no charge in either of two ways:

The first, which will result in exchanges only, is to return the product to the retailer from whom it was purchased (provided that the store is a participating retailer). Returns should be made within the time period of the retailer's policy for exchanges (usually 30 to 90 days after the sale). Proof of purchase may be required. Please check with the retailer for their specific return policy regarding returns that are beyond the time set for exchanges.

The second option is to take or send the product (prepaid) to a Black & Decker owned or authorized Service Center for repair or replacement at our option. Proof of purchase may be required. Black & Decker owned and authorized service centers are listed under "Tools-Electric" in the yellow pages of the phone directory.

This warranty does not apply to accessories. This warranty gives you specific legal rights and you may have other rights which vary from state to state. Should you have any questions, contact the manager of your nearest Black & Decker Service Center. This product is not intended for commercial use.

FREE WARNING LABEL REPLACEMENT: If your warning labels become illegible or are missing, call 1-800-544-6986 for a free replacement



Black & Decker (U.S.) Inc.,
701 E. Joppa Rd.
Towson, MD 21286 U.S.A.

See 'Tools-Electric'
- Yellow Pages -
for Service & Sales



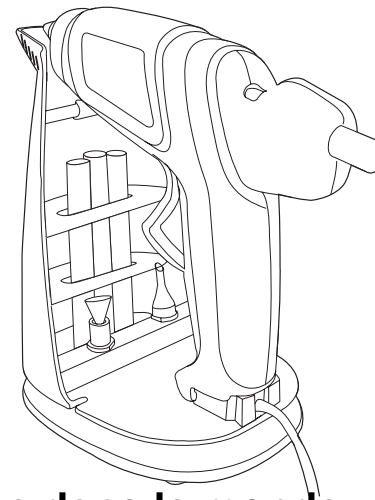
BLACK & DECKER®

**GG500S - PISTOLET-COLLEUR
À CORDON RANGÉ**

MODE D'EMPLOI

**AVANT DE RETOURNER CE PRODUIT POUR
QUELQUE
RAISON QUI SOIT, VEUILLEZ APPELER AU
1-800-54-HOW-TO (544-6986)**

**Conserver ce mode d'emploi pour
un usage ultérieur.**



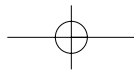
Bienvenue dans le monde merveilleux des produits pour projets artisanaux Black & Decker.

Votre pistolet-colleur à cordon rangé neuf est conçu pour appliquer de la colle fondue à chaud sur pratiquement toute surface avec uniformité et facilité. Son filament à semi-conducteur fait fondre la colle et la pression de la gâchette la fait passer dans le bec pour être appliquée chaque fois que cela est nécessaire. Vous trouverez à cet outil polyvalent une kyrielle d'utilisations dans l'atelier ou autour de la maison.

Il est possible d'obtenir différentes formules de colle pour répondre aux exigences de diverses applications.

Pour assurer votre sécurité et le bon fonctionnement de votre pistolet-colleur, prendre le temps de bien lire et comprendre les règles de sécurité et les directives contenues dans ce livret.

Merci d'avoir choisi Black & Decker !



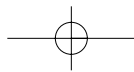
⚠ **IMPORTANTES REGLES DE SÉCURITÉ**

⚠ **AVERTISSEMENT : S'assurer de lire et de comprendre toutes les directives.** Ne pas suivre les directives figurant ci-après peut causer un choc électrique, un incendie et des blessures corporelles graves.

CONSERVER CES DIRECTIVES

⚠ **AVERTISSEMENT :** Pour l'utilisation d'outils électriques, des mesures de précaution de base doivent toujours être suivies afin de réduire le risque d'incendie, de choc électrique et de blessures corporelles, notamment :

1. **GARDER PROPRE LA ZONE DE TRAVAIL.** Les zones et établis encombrés sont souvent des causes de blessures.
2. **PENSER À L'ENVIRONNEMENT DE LA ZONE DE TRAVAIL.** Ne pas exposer les outils électriques à la pluie. Ne pas utiliser les outils électriques dans un endroit humide ou mouillé. Tenir la zone de travail bien éclairée.
3. **TENIR LES ENFANTS À L'ÉCART.** Tous les visiteurs doivent être tenus à l'écart de la zone de travail. Ne pas laisser les visiteurs entrer en contact avec l'outil ou la rallonge. Superviser toute utilisation de cet outil par des enfants.
4. **RANGER LES OUTILS INUTILISÉS.** Lorsqu'ils ne sont pas utilisés, les outils doivent être rangés dans un endroit sec, en hauteur ou dans un endroit verrouillé, hors de la portée des enfants.
5. **PORTER DES LUNETTES DE SÉCURITÉ.**
6. **NE PAS UTILISER ABUSIVEMENT LE CORDON.** Ne jamais transporter l'outil par son cordon ou tirer sur ce dernier pour le débrancher du réceptacle. Tenir le cordon éloigné de la chaleur, de l'huile et des bords tranchants.
7. **NE PAS TROP TENDRE LES BRAS.** Conserver son équilibre en tout temps.
8. **DÉBRANCHER LES OUTILS.** En cas d'inutilisation, avant toute réparation et pour le changement d'accessoires.
9. Il est recommandé d'utiliser cet outil uniquement à l'intérieur.
10. **RESTER VIGILANT.** Surveiller son travail. Faire preuve de bon sens. Ne pas utiliser l'outil en cas de fatigue.
11. **NE PAS TOUCHER AU BEC CHAUFFÉ DU PISTOLET-COLLEUR NI À LA COLLE À CHAUD.** La température de fonctionnement de cet outil se situe à 199 °C (390 °F). Éviter tout contact avec la peau ou avec toute surface ne devant pas être collée.
12. **NE JAMAIS** insérer dans le pistolet-colleur, tout autre matériau que les bâtons de colle, le produit d'étanchéité ou le bâton de mastic de calfeutrage recommandés. Par exemple : Ne pas faire fondre de crayons ou de chandelles. Le pistolet-colleur risque d'être endommagé irrémédiablement.
13. **NE PAS** utiliser de la colle à chaud à la place d'attaches de structure.
14. Les bâtons de colle utilisés avec ce pistolet-colleur commenceront à s'amollir à une température de 60 °C (140 °F). **Ne pas utiliser la colle sur des objets qui ne résistent pas à une température de 60 °C (140 °F) ou plus.**
15. **NE PAS ENLEVER LA PARTIE INUTILISÉE DU BÂTON DE COLLE LOGÉ DANS L'OUTIL.**
16. **NE PAS** forcer le refroidissement du pistolet après utilisation en l'immergeant, en partie ou en totalité, dans l'eau ou tout autre liquide. Laisser refroidir le pistolet à l'air seulement.
17. **TOUJOURS S'ASSURER QUE LE PISTOLET-COLLEUR EST REFROIDI AVANT DE LE RANGER** ou de changer les becs.
18. **LE PISTOLET-COLLEUR EST MIS EN MARCHÉ** dès qu'il est placé dans son support et que le cordon est branché.
19. **LORSQUE LE PISTOLET-COLLEUR N'EST PAS UTILISÉ, NE PAS LE LAISSER BRANCHÉ DURANT UNE PÉRIODE PROLONGÉE. NE PAS LAISSER L'OUTIL SANS SURVEILLANCE.**
20. **ÉVITER TOUTE DÉCHARGE DE COLLE ACCIDENTELLE.** Si une force trop importante est utilisée au moment de l'insertion ou de l'enfoncement des bâtons de colle dans un pistolet chauffé, ce dernier risque d'être endommagé et de faire sortir la colle chaude de manière inattendue par le bec.



21. NE PAS ranger les bâtons de colle à la lumière directe durant une période prolongée.

22. Toujours travailler dans un endroit bien ventilé.

REMARQUE : Cet outil deviendra assez chaud durant son utilisation. C'est normal et cela n'indique pas de problème. Éviter tout contact avec la surface supérieure du boîtier.

⚠ AVERTISSEMENT : Ce produit renferme des produits chimiques, notamment le plomb, reconnus par l'État de la Californie comme pouvant causer le cancer, des anomalies congénitales et d'autres dangers pour la reproduction. **Se laver les mains après avoir manipulé l'outil.**

Premiers soins pour les bâtons de colle

Les bâtons de colle ne sont pas conçus pour être ingérés et ne doivent pas entrer en contact avec la nourriture, etc. En cas d'ingestion, obtenir des soins médicaux.

Il est possible d'obtenir une fiche santé-sécurité (MSDS) en composant le **1-800-544-6986**.

Rallonges

Seules les rallonges rondes enveloppées doivent être utilisées, et nous recommandons qu'elles soient homologuées par l'organisme Laboratoires des assureurs du Canada (LAC). Une rallonge doit présenter un calibre adéquat (AWG ou American Wire Gauge) pour assurer la sécurité et éviter toute perte de performance. Plus le numéro de calibre de fil est petit et plus sa capacité est grande, par exemple un calibre 16 a plus de capacité qu'un calibre 18. Si plus d'une rallonge est utilisée pour obtenir la longueur totale, s'assurer que chaque rallonge présente au moins le calibre de fil minimum. Pour déterminer le calibre minimum à utiliser, consulter le tableau suivant :

Avant d'utiliser une rallonge, l'inspecter à la recherche de fils lâches ou exposés, d'isolant endommagé et de garnitures défectueuses. Effectuer toute réparation nécessaire ou remplacer le cordon s'il y a lieu. Il est possible de se procurer auprès de Black & Decker des rallonges homologuées par le LAC.

Volts	Calibre minimum pour les rallonges			
	Longueur totale du cordon en pieds			
120V	0-25	26-50	51-100	101-150
240V	0-50	51-100	101-200	201-300
Intensité nominale				
Plus de	Pas plus de	Calibrage américain normalisé des fils (AWG)		
0	- 6	18	16	16 14
6	- 10	18	16	14 12
10	- 12	16	16	14 12
12	- 16	14	12	Non recommandé

CONSERVER CES RÈGLES DE SÉCURITÉ POUR UN USAGE ULTÉRIEUR.

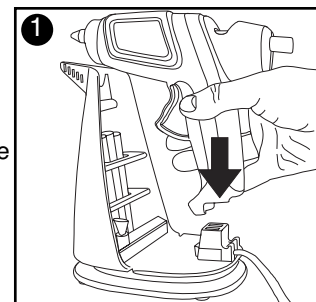
Fonctionnement

Remarque : Protéger ce qui se trouve sous la pièce avec un matériau réfractaire pour éviter tout dommage thermique à la table, etc. Insérer un bâton de colle à chaud dans le tube d'arrivée de l'enceinte de colle à chaud, par la partie arrière du pistolet. (Pour obtenir de meilleurs résultats, utiliser des bâtons d'une longueur minimale de 4 po.)

Presser la gâchette pour bien placer le bâton d'adhésif dans l'enceinte.

Mettre le pistolet-colleur dans son support comme le montre la **figure 1**.

Remarque : La rainure entourant la partie inférieure de la base permet d'enrouler le cordon. Si nécessaire, dérouler entièrement le cordon. Brancher le cordon dans une prise de 120 V c.a., puis attendre que l'indicateur « Prêt à utiliser » passe de **GRIS** à **ROUGE**. Consulter la **figure 2**.



⚠ AVERTISSEMENT : Si le pistolet est placé dans son support, il sera mis en MARCHÉ (« ON ») dès qu'il sera branché.

Appliquer la colle en pressant la gâchette. Plus la gâchette est pressée et plus la colle sort du bec. Lorsque la colle cesse de sortir du pistolet, presser de nouveau la gâchette pour un nouvel apport de colle. Lorsque le bâton de colle est rendu au niveau du bord du tube d'entrée, en insérer un autre.

Le pistolet-colleur se mettra à refroidir après avoir été retiré de son support. Lorsque l'indicateur « Prêt à utiliser » passe au gris ou lorsque la colle ne coule plus facilement, remettre le pistolet-colleur dans son support. Pour une utilisation intensive, le pistolet-colleur peut être branché et utilisé hors de son support.

Pour utiliser l'outil branché :

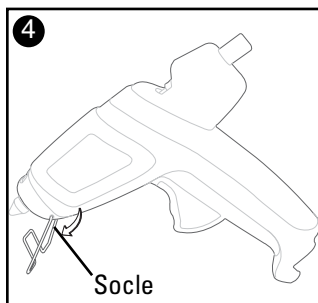
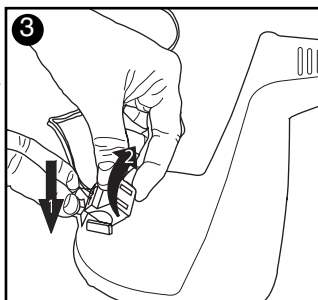
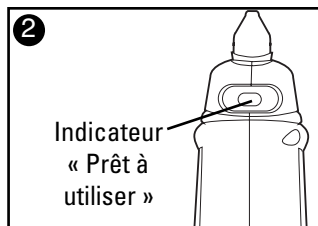
1.) S'assurer que l'outil est refroidi.

2.) Dérouler le cordon du rembobineur.

3.) Enfoncer les deux languettes situées à l'avant du connecteur femelle comme le montre la **figure 3**. Tourner le connecteur femelle vers l'intérieur de la base, puis soulever le connecteur et le cordon hors du support.

4.) Tourner le socle vers l'avant comme le montre la **figure 4**.

REMARQUE : S'assurer que l'outil est ÉTEINT (OFF) et refroidi avant de



réglér le socle. Il est recommandé de mettre un déchet de découpe sous le bec afin d'éviter d'endommager la surface sur laquelle repose l'outil.

5.) Insérer le connecteur femelle dans la poignée du pistolet-colleur (cordon vis-à-vis la partie arrière de l'outil). Brancher le cordon dans une prise de 120 V c.a., puis attendre que l'indicateur « Prêt à utiliser » passe de **GRIS à ROUGE** ou que la colle se mette à couler.

⚠ MISE EN GARDE : Si une force trop importante est utilisée au moment de l'insertion ou de l'enfoncement des bâtons de colle dans un pistolet chauffé, cela risque de faire sortir la colle chaude de manière inattendue par le bec.

REMARQUE : Certains matériaux peuvent être endommagés par un bec chaud ou même par la colle chaude. En cas d'incertitude, tester un morceau de déchet de découpe ou une partie de l'objet en réparation qui ne sera pas visible.

Une fois le collage terminé, remettre le pistolet-colleur dans son support, puis le débrancher et le laisser refroidir à la température de la pièce. **NE PAS RETIRER TOUT BÂTON INUTILISÉ DU PISTOLET APRÈS AVOIR UTILISÉ L'OUTIL.** Toute colle inutilisée peut être chauffée de nouveau et utilisée ultérieurement sans aucune perte de force de liaison.

⚠ MISE EN GARDE : Ne pas confiner le pistolet-colleur dans un endroit où la chaleur ne peut se dissiper.

⚠ MISE EN GARDE : S'assurer que le pistolet est refroidi avant de le ranger.

Changement de becs

L'outil comprend trois différents becs :

- standard
- large
- à angle étendu

⚠ MISE EN GARDE : S'assurer que le bec est refroidi et que le pistolet est débranché avant de changer de bec.

Pour changer de bec, utiliser la clé incluse logée à la base. À noter que le bout du bec peut être aligné indépendamment de la base du bec et être ensuite serré avec la clé.

Conseils d'utilisation du pistolet-colleur à cordon rangé

1. Choisir le bon bâton de colle pour l'application choisie. Utiliser uniquement des bâtons de colle ronds résistants à des températures élevées ou multiples.
2. S'assurer que les surfaces sont propres et exemptes de saleté ou de film huileux. Les surfaces propres assurent toujours une meilleure liaison, prendre donc le temps de bien les préparer avant le collage.
3. Il n'est pas nécessaire d'étaler la colle chaude. Il suffit de l'appliquer et de placer ensemble les surfaces, puis de presser légèrement pour assurer l'étalement de la colle.
4. Il est toujours préférable de travailler dans une pièce où la température se situe entre 20 °C et 22 °C (68 °F et 72 °F). Le froid extrême réduira le temps de prise de l'adhésif (le temps nécessaire à l'adhésif pour durcir). La chaleur augmentera le temps nécessaire.
5. Il est possible de prolonger la durée de prise en préchauffant légèrement les surfaces à coller avec un séchoir à cheveux portatif. La chaleur procurera plus de temps pour positionner des objets difficiles à placer et pour assurer une meilleure liaison de substrats plus complexes (surfaces à lier).
6. Le temps de séchage de la colle peut aussi être contrôlé d'une certaine façon par la méthode d'application. Il faudra jusqu'à 50 % plus de temps à sécher pour une grande quantité de colle qu'à une goutte de colle courante. Les traits de colle très minces sécheront en aussi peu de temps que 10 secondes. Quelques expériences réalisées sur un déchet de découpe avec le pistolet-colleur permettra de déterminer la meilleure méthode à utiliser pour un projet particulier.
7. Utiliser la colle à chaud pour faire tenir ensemble un projet pendant la pose d'attaches permanentes comme des clous, des vis, des boulons, etc. Cela rend le projet plus solide et élimine la nécessité de poser des brides.
8. Certaines peintures et teintures renfermant du distillat de pétrole peuvent affaiblir l'adhésif. Effectuer des essais avant

d'utiliser l'outil pour de telles applications. Il peut être nécessaire de peindre ou de teindre avant le collage.

9. Il est possible d'enlever l'excès d'adhésif en le grattant, en le décollant ou en le refondant avec le bout chaud du pistolet. L'adhésif peut être enlevé du tissu par un nettoyage à sec.

Nettoyage

Utiliser uniquement un savon doux et un chiffon humide pour nettoyer l'outil. Bon nombre de nettoyants domestiques renferment des produits chimiques pouvant grandement endommager le plastique. De plus, ne pas utiliser de l'essence, de l'essence de térébenthine, du diluant à peinture-laque, des liquides pour nettoyage à sec ou tout autre produit semblable. Ne jamais laisser de liquide pénétrer dans l'outil et n'immerger aucune partie de l'outil dans un liquide.

Important

Pour assurer la SÉCURITÉ et la FIABILITÉ du produit, les réparations, l'entretien et les réglages doivent être réalisés par des centres de réparation Black & Decker autorisés ou un personnel professionnel. Cet outil ne renferme aucun composant pouvant être réparé par le client.

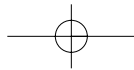
Information sur les réparations

Que vous ayez besoin d'un avis technique, d'une réparation ou de pièces de rechange authentiques installées en usine, communiquez avec l'établissement Black & Decker le plus près de chez vous. Pour trouver l'établissement de réparation de votre région, consulter le répertoire des Pages jaunes à la rubrique « Outils électriques » ou composer le numéro suivant : **1 (800) 54-HOW-TO (544-6986)**.

Garantie complète de deux ans pour une utilisation domestique

Black & Decker (É.-U.) Inc. garantit ce produit pour une durée de deux ans contre tout défaut de matériau ou de fabrication. Le produit défectueux sera remplacé ou réparé sans frais d'une des deux façons suivantes :

La première façon consiste en un échange chez le détaillant où le produit a été acheté (à la condition que le magasin soit un détaillant



participant). Tout retour doit se faire durant la période correspondant à la politique d'échange du détaillant (habituellement, de 30 à 90 jours après l'achat). Une preuve d'achat peut être requise. Vérifier auprès du détaillant pour connaître sa politique concernant les retours hors de la période définie pour les échanges.

La deuxième option est d'apporter ou d'envoyer le produit (transport payé d'avance) à un centre de réparation autorisé ou à un centre de réparation de Black & Decker pour faire réparer ou échanger le produit, à notre discrétion. Une preuve d'achat peut être requise. Les centres de réparation autorisés ou appartenant à Black & Decker sont répertoriés dans les Pages jaunes, sous la rubrique « Outils électriques » du bottin téléphonique.

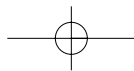
Cette garantie ne s'applique pas aux accessoires. Cette garantie vous accorde des droits légaux spécifiques et vous pourriez avoir d'autres droits qui varient d'un État ou d'une province à l'autre. Si vous avez des questions, communiquez avec le directeur du centre de réparation Black & Decker le plus près de chez vous. Ce produit n'est pas destiné à un usage commercial.

REPLACEMENT GRATUIT DES ÉTIQUETTES

D'AVERTISSEMENT : Si vos étiquettes d'avertissement deviennent illisibles ou sont manquantes, composez le **1 (800) 544-6986** pour faire remplacer gratuitement vos étiquettes

Imported by / Importé par
Black & Decker Canada Inc.
100 Central Ave.
Brockville (Ontario) K6V 5W6

Voir 'Outils électriques'
– Pages Jaunes –
pour Service et ventes



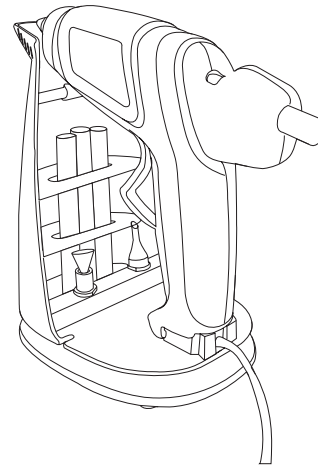
BLACK & DECKER®

GG500S - PISTOLA PARA PEGAR
INALÁMBRICA

MANUAL DE INSTRUCCIONES

ANTES DE DEVOLVER ESTE PRODUCTO POR
CUALQUIER RAZÓN, POR FAVOR LLAME AL
(55)5326-7100

CONSERVE ESTE MANUAL PARA
FUTURAS CONSULTAS.



Bienvenido al Maravilloso mundo de productos para trabajo artesanal de Black & Decker.

Su nueva Pistola para pegar inalámbrica está diseñada para aplicar colas derretidas calientes a casi cualquier superficie en forma uniforme y fácil. Su calentador de estado sólido derrite la cola y la presión del disparador lo fuerza a través de la boquilla para aplicarlo siempre que sea necesario. Encontrará docenas de usos en el taller y en su casa para esta herramienta versátil.

Están disponibles varios preparados de cola para cumplir con los requisitos de las diferentes aplicaciones.

Para su seguridad personal y para una operación correcta de su Pistola para pegar, dedique un tiempo para leer cuidadosamente y comprender todas las normas e instrucciones de seguridad incluidas en este folleto.

Gracias por elegir Black & Decker.

⚠ Normas de seguridad importantes

⚠ **ADVERTENCIA:** Lea y comprenda todas las instrucciones. El incumplimiento de todas y cada una de las instrucciones enumeradas debajo puede provocar descarga eléctrica, incendio o daños personales serios.

CONSERVE ESTAS INSTRUCCIONES

⚠ **ADVERTENCIA:** Al utilizar Herramientas eléctricas, siempre se deben tomar ciertas precauciones básicas de seguridad para minimizar el riesgo de incendio, descargas eléctricas y lesiones personales.

1. **MANTENGA LIMPIA EL ÁREA DE TRABAJO.** Los espacios y los bancos de trabajo abarrotados son propensos a las lesiones.
2. **TENGA EN CUENTA EL ENTORNO DEL ÁREA DE TRABAJO.** No esponga las herramientas eléctricas a la lluvia. No utilice herramientas eléctricas en zonas húmedas o mojadas. Mantenga el área de trabajo bien iluminada.
3. **MANTENGA A LOS NIÑOS ALEJADOS.** Todas las visitas deben alejarse del área de trabajo. No permita que las visitas entren en contacto con la herramienta o el cable prolongador. Supervise el uso de esta herramienta por los niños.
4. **ALMACENE LAS HERRAMIENTAS QUE NO UTILIZA.** Cuando no las utilice, las herramientas deben guardarse en un lugar seco, alto o bajo llave, lejos del alcance de los niños.
5. **USE LENTES DE SEGURIDAD.**
6. **NO TIRE DEL CABLE.** Nunca transporte la herramienta por el cable ni lo jale para desconectarla del tomacorriente. Mantenga el cable alejado del calor, el aceite y los bordes afilados.
7. **NO SE ESTIRE.** Conserve el equilibrio adecuado y manténgase parado correctamente en todo momento.
8. **DESCONECTE LAS HERRAMIENTAS.** Cuando no las utilice, antes del mantenimiento y al cambiar los accesorios.
9. Esta herramienta se recomienda para su uso en interiores solamente

10. **MANTÉNGASE ALERTA.** Fíjese en lo que está haciendo. Use el sentido común. No opere la herramienta si está cansado.
11. **NO TOQUE LA BOQUILLA CALIENTE DE LA PISTOLA PARA PEGAR O LA COLA DERRETIDA Y CALIENTE.** La temperatura de funcionamiento de esta herramienta es de 390°F. No permita que entre en contacto con la piel o superficies no preparadas para la cola.
12. **NUNCA** intente utilizar un material distinto de las barras de cola, selladores o barras de masilla recomendados en la pistola para pegar. Por ejemplo: No intente derretir crayones o velas. Puede ocasionar daños permanentes en la pistola para pegar.
13. **NO UTILICE** la cola derretida caliente en lugar de sujetadores estructurales.
14. Las barras de cola utilizadas con esta pistola para pegar comenzarán a ablandarse a una temperatura de 140°F aproximadamente. No utilice la cola sobre objetos que no deben exponerse a temperaturas de 140°F o más.
15. **NO INTENTE RETIRAR LA PARTE NO UTILIZADA DE UNA BARRA DE COLA DE LA HERRAMIENTA.**
16. **NUNCA** intente forzar que la pistola se enfríe sumergiendo cualquier parte de ella en agua o cualquier otro líquido. Permita que la pistola se enfríe en el ambiente solamente.
17. **SIEMPRE ASEGÚRESE DE QUE LA PISTOLA PARA PEGAR SE ENFRÍE ANTES DE GUARDARLA O DE CAMBIAR LAS BOQUILLAS.**
18. **LA PISTOLA PARA PEGAR** se enciende tan pronto se coloca sobre su base y se enchufa el cable.
19. **CUANDO NO LA UTILICE, NO DEJE LA PISTOLA PARA PEGAR ENCHUFADA DURANTE LARGOS PERÍODOS. NO DEJE LA HERRAMIENTA SIN ATENCIÓN.**
20. **EVITE LA DESCARGA DE COLA ACCIDENTAL.** Colocar o presionar las barras de cola con demasiada fuerza en una pistola caliente puede provocar daños en la pistola para pegar debido a la expulsión inesperada de cola de la boquilla.
21. **NO** guarde barras de cola a la luz solar directa durante períodos prolongados.

22. **SIEMPRE** trabaje en un área bien ventilada.

NOTA: Esta herramienta se calentará bastante durante su uso. Esto es normal y no indica un problema. Evite el contacto con la parte superior de la unidad.

⚠ **ADVERTENCIA:** Este producto contiene sustancias químicas, incluido plomo, reconocidas por el Estado de California como causantes de cáncer, defectos de nacimiento u otros problemas reproductivos. **Lave sus manos después de utilizarla.**

Primeros auxilios indicados para barras de cola

Las barras de cola no pueden ingerirse y no deben entrar en contacto con los alimentos, etc. En caso de ingerir el producto, busque asistencia médica.

Si necesita la Hoja de datos de seguridad del material (MSDS, por sus siglas en inglés), llame al **(55)5326-7100**

Cables prolongadores

Sólo se deben utilizar cables prolongadores con cubierta redonda, y recomendamos que estén en la lista de Underwriters Laboratories (U.L.). Un cable prolongador debe tener una medida de conductor adecuada (AWG o Medida de conductor estadounidense) por seguridad y para evitar la disminución del rendimiento. A menor número de calibre del conductor, mayor será la capacidad del cable; es decir, un calibre 16 tiene más capacidad que un calibre 18. Cuando se utiliza más de un cable prolongador para lograr la longitud total, asegúrese de que cada prolongación tenga la medida mínima del conductor.

Para determinar el tamaño mínimo requerido, consulte la tabla a continuación:

Antes de utilizar un cable prolongador, verifique que no posea cables sueltos o expuestos, un aislamiento dañado o accesorios defectuosos. Realice las reparaciones necesarias o reemplace el cable si es necesario. Black & Decker cuenta con cables prolongadores disponibles incluidos en la lista de U.L.

Calibre mínimo para cables prolongadores					
Voltios	Largo total del cable en pies				
120 V	0-25	26-50	51-100	101-150	
240 V	0-50	51-100	101-200	201-300	
Capacidad nominal en amperios					
Más de que	No más de que	Medida de conductor estadounidense			
0 -	6	18	16	16	14
6 -	10	18	16	14	12
10 -	12	16	16	14	12
12 -	16	14	12	No recomendado	

GUARDE ESTAS NORMAS DE SEGURIDAD PARA FUTURAS CONSULTAS

Operación

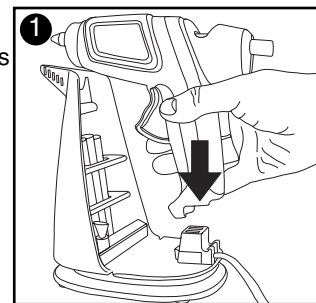
Nota: Proteja el material debajo de la pieza de trabajo con un material resistente al calor a fin de evitar daños ocasionados por el calor a un banco, etc.

Introduzca la barra de adhesivo derretido caliente en el tubo de entrada de la cámara para derretir a través de la parte posterior de la pistola. (Para obtener mejores resultados, utilice barras de 4" o más largas).

Oprima el disparador para colocar firmemente la barra de adhesivo en la cámara.

Coloque la pistola para pegar en la base como se muestra en la **figura 1**.

Nota: El canal alrededor de la parte inferior de la base sirve como enrollable para el cable. En caso de ser necesario, desenrolle completamente el cable. Enchufe el cable en un tomacorriente de



CA de 120 voltios y espere a que el "Indicador de listo para usar" cambie de color **GRIS a ROJO**. Vea la **figura 2**.

⚠ ADVERTENCIA: Si la pistola está asentada en su base, se "ENCENDERÁ" tan pronto se enchufe el cable.

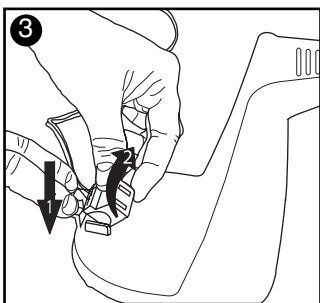
Aplique cola oprimiendo el disparador. Cuanto más oprima el disparador, más cola será expulsada de la boquilla. Cuando la carga de cola en la pistola se detenga, libere el disparador y oprima nuevamente para agregar flujo. Cuando la barra de cola llegue al nivel del borde del tubo de entrada, inserte otra barra. Cuando el cable de la pistola para pegar se retira de la base, comenzará a enfriarse. Cuando el indicador de listo para usar cambie a color gris o cuando la cola ya no fluya fácilmente, reemplace la pistola en la base.

Para trabajos más pesados, la pistola para pegar se puede utilizar como una unidad enchufada lejos de su base.

Para utilizarla como una unidad enchufada:

- 1.) Asegúrese de que la unidad esté fría.
- 2.) Desenrolle el cable del enrollacable.
- 3.) Presione las dos lengüetas en frente del tomacorriente como se muestra en la **figura 3**. Gire el tomacorriente hacia dentro de la base, y quite el tomacorriente y el cable del sujetador.
- 4.) Gire el pie hacia adelante como se muestra en la **figura 4**.

NOTA: Asegúrese de que la unidad esté "APAGADA" y fría antes de ajustar el soporte. Se recomienda colocar una pieza de material desechable para evitar el daño de la superficie en la que se colocó la unidad.



5.) Inserte el tomacorriente en el mango de la pistola para pegar (el cable debe mirar hacia la parte posterior de la unidad). Enchufe el cable en un tomacorriente de CA de 120 voltios y espere a que el "Indicador de listo para usar" cambie de color GRIS a ROJO, o cuando la cola comience a fluir.

⚠ PRECAUCIÓN: Colocar o presionar las barras de cola con demasiada fuerza en una pistola caliente puede provocar la expulsión inesperada de adhesivo caliente de la boquilla.

NOTA: Algunos materiales pueden dañarse por la boquilla caliente o incluso por la cola caliente. En caso de que éste sea el caso, pruebe una pieza de material desechable o una parte del objeto que se está reparando que no será visible.

Cuando finalice todas las operaciones de pegar, coloque la pistola nuevamente en el pie y desenchufe el cable para permitir que la pistola se enfríe a temperatura ambiente. **NO INTENTE RETIRAR LA BARRA QUE NO UTILIZÓ DE LA PISTOLA DESPUÉS DE SU USO.** Cualquier adhesivo no utilizado puede volver a calentarse y utilizarse posteriormente sin perder la fuerza de unión.

⚠ PRECAUCIÓN: No guarde la pistola para pegar en un área en la que no haya disipación del calor.

⚠ PRECAUCIÓN: Asegúrese de que la pistola esté fría antes de guardarla.

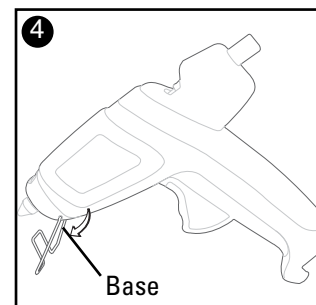
Cambio de boquillas

Existen tres boquillas diferentes:

- Estándar
- Ancha
- Ángulo extendido

⚠ PRECAUCIÓN: Asegúrese de que la boquilla esté fría y de que la pistola esté desenchufada antes de cambiar las boquillas.

Para cambiar una boquilla, se incluye una llave y se guarda en la



base. Observe que la punta de una boquilla puede alinearse en forma independiente de la base de la boquilla y luego, ajústela con la llave.

Sugerencias para utilizar su pistola para pegar inalámbrica

1. Elija la barra de cola adecuada para la aplicación adecuada. Solamente barras de cola redondas de alta o multi temperatura.
2. Asegúrese de que las superficies estén limpias y no posean polvo o capas aceitosas. Las superficies limpias proporcionan una mejor unión, de modo que tómese un momento para preparar las superficies antes de colocar cola.
3. No necesita esparcir la cola caliente. Simplemente aplique y posicione las superficies juntas oprimiendo suavemente para garantizar un esparcimiento uniforme.
4. Siempre es mejor trabajar en una habitación con una temperatura ambiental de entre 68 y 72 grados F. El frío extremo acelerará el tiempo de fijación del adhesivo (el tiempo que transcurre hasta que el adhesivo se endurece). El calor lo retrasará.
5. Puede extender el tiempo de fijación si calienta levemente las superficies que va a pegar con anterioridad con un secador para cabellos portátil. El calor permitirá un mayor tiempo para colocar objetos difíciles y también para garantizar una mejor unión de sustratos más difíciles (superficies que se desea unir).
6. El tiempo de secado de la cola también puede controlarse de alguna forma mediante el método de aplicación. Las grandes cantidades de adhesivo demorarán hasta un 50% más en secar que las gotas de tamaño normal. Los puntos de cola muy delgados se secarán en tan sólo 10 segundos. Experimentar con su pistola para pegar en materiales desechables lo ayudará a determinar el mejor método para utilizar en su proyecto en particular.
7. Use cola para derretir con calor a fin de unir proyectos hasta que instale sujetadores permanentes como clavos, tornillos, pernos, etc. Esto hace que el proyecto en su totalidad sea más sólido y elimina la necesidad de abrazaderas.

8. Algunas pinturas y tinturas contienen destilados de petróleo que pueden debilitar el adhesivo. Pruebe antes de utilizar. Quizás necesite pintar o teñir antes de colocar cola.
9. El exceso de adhesivo puede quitarse raspando, descascarando o volviendo a fundir con la punta caliente de la pistola. El adhesivo puede retirarse de la tecla con una limpieza en seco.

Limpieza

Para limpiar la herramienta, sólo utilice jabón suave y un paño húmedo. Muchos limpiadores para uso doméstico pueden contener sustancias químicas que pueden dañar el plástico severamente. Además, tampoco utilice gasolina, aguarrás, barniz o solvente, líquidos de limpieza secos o productos similares. Nunca permita que penetre líquido dentro de la herramienta y nunca sumerja ninguna de las piezas en líquido.

Importante

Para garantizar la SEGURIDAD y CONFIABILIDAD del producto, las reparaciones, el mantenimiento y los ajustes deben ser realizados por los Centros de mantenimiento de Black & Decker u otro personal calificado. Esta herramienta contiene componentes que el cliente no puede reparar.

Información de servicio

Si necesita consejo técnico, reparaciones o piezas de repuesto originales de fábrica, póngase en contacto con el centro de mantenimiento de Black & Decker más cercano a su domicilio. Para ubicar a su servicio local, consulte "Herramientas eléctricas" en la sección amarilla, o llame al: **(55)5326-7100**.

Garantía completa de dos años para uso en el hogar

Black & Decker (EE.UU.) Inc. ofrece una garantía de dos años por cualquier defecto del material o de fabricación de este producto. El producto defectuoso se reparará o reemplazará sin costo alguno de una de las siguientes maneras:

La primera opción, el reemplazo, es devolver el producto al comercio donde se lo adquirió (siempre y cuando se trate de un comercio participante). Las devoluciones deben realizarse

conforme a la política de devolución del comercio (generalmente, entre 30 y 90 días posteriores a la venta). Le pueden solicitar comprobante de compra. Consulte en el comercio acerca de la política especial sobre devoluciones una vez excedido el plazo establecido.

La segunda opción es llevar o enviar el producto (con flete pago) a un Centro de mantenimiento propio o autorizado de Black & Decker para su reparación o reemplazo según nuestro criterio. Le pueden solicitar comprobante de compra. Encontrará una lista de los centros de mantenimiento autorizados y de propiedad de Black & Decker en "Herramientas eléctricas" en las páginas amarillas de la guía telefónica.

Esta garantía no se extiende a los accesorios. Esta garantía le concede derechos legales específicos que pueden variar según el estado. Ante cualquier inquietud, comuníquese con el Centro de mantenimiento de Black & Decker más cercano. Este producto no es para uso comercial.

REEMPLAZO GRATUITO DE LAS ETIQUETAS DE

ADVERTENCIA: Si sus etiquetas de advertencia se vuelven ilegibles o faltan, llame al **(55)5326-7100** para que se le reemplacen gratuitamente.

Para reparación y servicio de sus herramientas eléctricas, favor de dirigirse al Centro de Servicio más cercano:

CULIACAN, SIN

Av. Nicolás Bravo #1063 Sur
(667) 7 12 42 11
Col. Industrial Bravo

GUADALAJARA, JAL

Av. La Paz #1779
(33) 3825 6978
Col. Americana Sector Juarez

MEXICO, D.F.

Eje Central Lázaro Cardenas
No. 18
(55) 5588 9377
Local D, Col. Obrera

MERIDA, YUC

Calle 63 #459-A
(999) 928 5038
Col. Centro

MONTERREY, N.L.

Av. Francisco I. Madero
No.831
(81) 8375 2313
Col. Centro

PUEBLA, PUE

17 Norte #205
(222) 246 3714
Col. Centro

QUERETARO, QRO

Av. Madero 139 Pte.
(442) 214 1660
Col. Centro

SAN LUIS POTOSI, SLP

Av. Universidad 1525
(444) 814 2383
Col. San Luis

TORREON, COAH

Blvd. Independencia,
96 Pte.
(871) 716 5265
Col. Centro

VERACRUZ, VER

Prolongación Díaz
Mirón #4280
(229)921 7016
Col. Remes

VILLAHERMOSA, TAB

Constitución 516-A
(993) 312 5111
Col. Centro

PARA OTRAS LOCALIDADES LLAME AL: (55) 5326 7100

Vea "Herramientas
eléctricas (Tools-Electric)"
- Páginas amarillas -
para Servicio y ventas



ESPECIFICACIONES

120V - 50/60 Hz - 40W

BLACK & DECKER S.A. DE C.V.
BOSQUES DE CIDROS ACCESO RADIATAS NO. 42
COL. BOSQUES DE LAS LOMAS.
05120 MÉXICO, D.F.
TEL. 55-5326-7100

Cat.No. GG500S

Form No. 632900-00

JUNE 2005

Copyright© 2005 Black & Decker

Printed in China

