



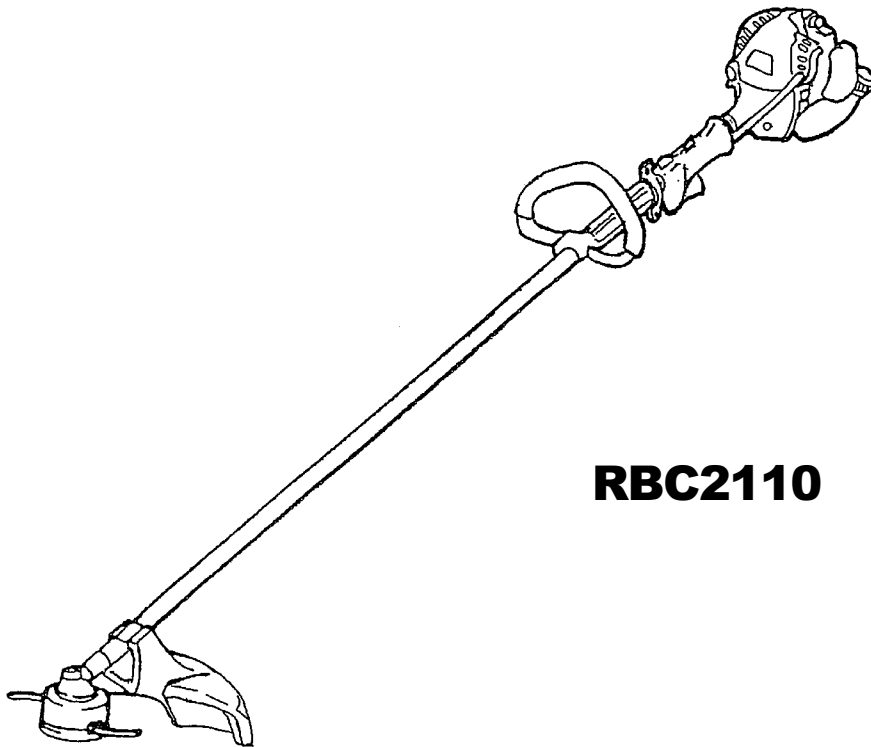
English / Français / Spanish



# String Trimmer Taille-bordures Cortabordes

## RBC2110

**INSTRUCTION MANUAL  
MANUEL D'INSTRUCTIONS  
MANUAL DE INSTRUCCIONES**



**RBC2110**

**Important:**

Read this instruction manual carefully before putting the String Trimmer into operation and strictly observe the safety regulations. Preserve instruction manual carefully.

**Recommandation importante:**

Lire soigneusement ce manuel d'instructions avant de mettre la tail-bordures en service et observer rigoureusement les consignes de sécurité! Conserver soigneusement ce manuel d'instructions.

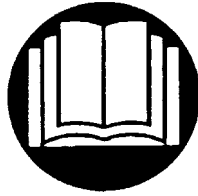
**Importante:**

Leer cuidadosamente este manual de instrucciones antes de poner en marcha la máquina y observar estrictamente las normas de seguridad.

Conserver este manual de instrucciones con cuidado.

Thank you very much for purchasing the MAKITA String Trimmer. We are pleased to recommend to you the MAKITA String Trimmer which is the result of a long development programme and many years of knowledge and experience.

Please read this booklet which refers in detail to the various points that will demonstrate its outstanding performance. This will assist you to obtain the best possible result from your MAKITA String Trimmer.



<b>Table of Contents</b>	<b>Page</b>
Symbols .....	2
Safety instructions .....	3
Specification .....	6
Designation of parts .....	7
Assembly of engine and shaft .....	8
Mounting of handle .....	8
Mounting of protector .....	9
Mounting of nylon cutting head .....	10
Fuels/Refueling .....	11
Correct handling of machine .....	12
Putting into operation .....	12
Idle adjustment .....	13
Nylon cutting head .....	13
Servicing instructions .....	15
Storage .....	17
Federal emission component defect warranty .....	18

**SYMBOLS**

You will note the following symbols when reading the instruction manual.

	Read instruction Manual		Do not use metal blades
	Take Particular Care and Attention		Top permissible tool speed
	Forbidden		Fuel and oil mixture
	Keep distance		Engine-Manual start
	Flying object hazard		Emergency stop
	No smoking		First Aid
	No open flame		Recycling
	Protective gloves must be worn		ON/START
	Keep the area of operation clear of other persons and pets		OFF/STOP
	Wear eye and ear protection		

# SAFETY INSTRUCTIONS

## General Instructions

- To ensure correct operation, user has to read this instruction manual to make himself familiar with the handling of the string trimmer. Users insufficiently informed will risk danger to themselves as well as others due to improper handling.
- It is recommended only to lend the string trimmer to people who have proven to be experienced with string trimmers. Always hand over the instruction manual.
- First users should ask the dealer for basic instructions to familiarize oneself with the handling of an engine powered trimmer.
- Children and young persons aged under 18 years must not be allowed to operate the string trimmer. Persons over the age of 16 years may however use the device for the purpose of being trained only whilst under supervision of a qualified trainer.
- Use string trimmers with the utmost care and attention.
- Operate the string trimmer only if you are in good physical condition. Perform all work calmly and carefully. The operator has to accept liability for others.
- Never use the string trimmer after consumption of alcohol or drugs, or if feeling tired or ill.

## Intended use of the machine

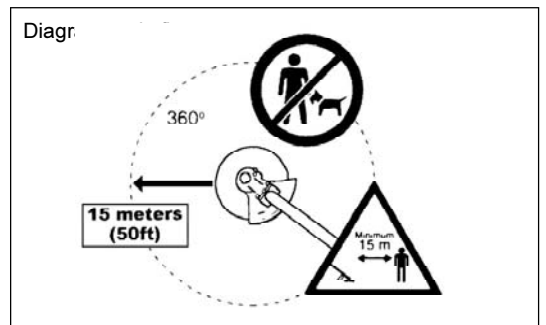
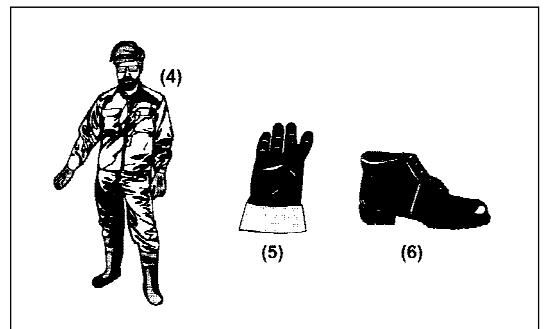
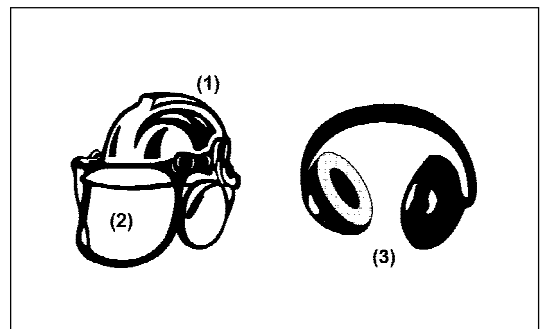
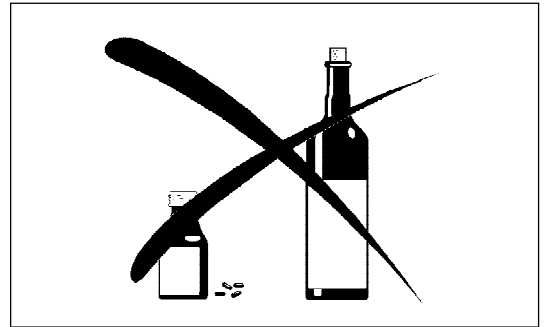
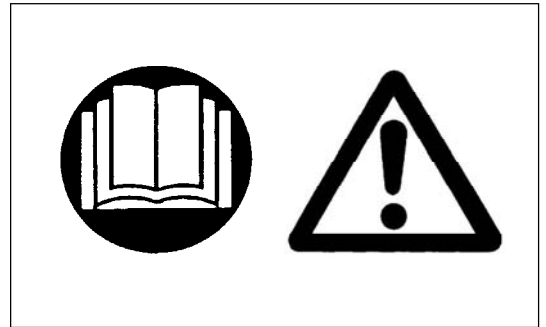
- The String Trimmer is only intended for cutter grass, weeds, Bushes, undergrowth it should not be used for any other purpose such as Edging or hedge cutting as this may cause injury.

## Personal protective equipment

- The clothing worn should be functional and appropriate, i.e. it should be tight-fitting but not cause hindrance. Do not wear either jewelry or clothing which could become entangled with bushes or shrubs.
- In order to avoid either head-, eye-, hand- or foot injuries as well as to protect your hearing the following protective equipment and protective clothing must be used during operation of the string trimmer.
- Always wear a helmet where there is a risk of falling objects. The protective helmet (1) is to be checked at regular intervals for damage and is to be replaced at the latest after 5 years. Use only the approved protective helmets.
- The visor (2) of the helmet (or alternatively goggles) protects the face from flying debris and stones. During operation of the string trimmer always wear goggles, or a visor to prevent eye injuries.
- Wear adequate noise protection equipment to avoid hearing impairment (ear muffs (3), ear plugs etc.).
- The work overalls (4) protect against flying stones and debris. We strongly recommend that the user wears work overalls.
- Special gloves (5) made of thick leather are part of the prescribed equipment and must always be worn during operation of the string trimmer.
- When using the string trimmer, always wear safety shoes (6) with a non-slip sole. This protects against injuries and ensures a good footing.

## Starting up the string trimmer

- Please make sure that there are no children or other people within a working range of 15 meters (50ft), also pay attention to any animals in the working vicinity.
- Before use always check that the string trimmer is safe for operation: Check the security of the nylon cutting head, the control lever for easy action.
- Rotation of the nylon cutting head during idling speed is not allowed. Check with your dealer for adjustment if in doubt. Check for clean and dry handles and test the function of the start/stop switch.



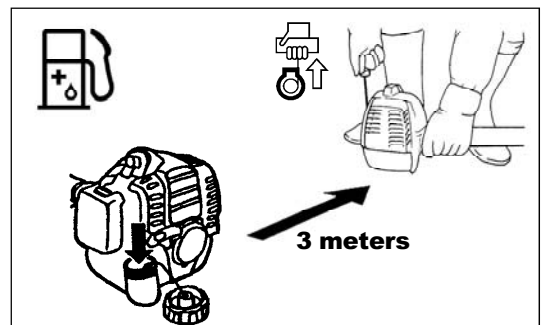
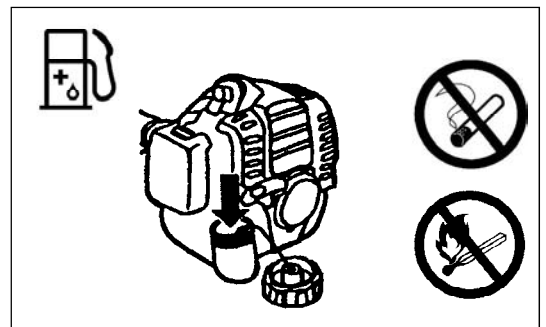
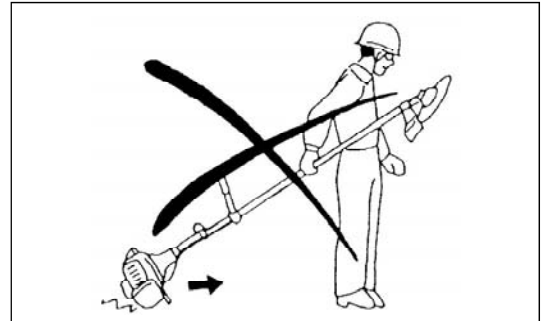
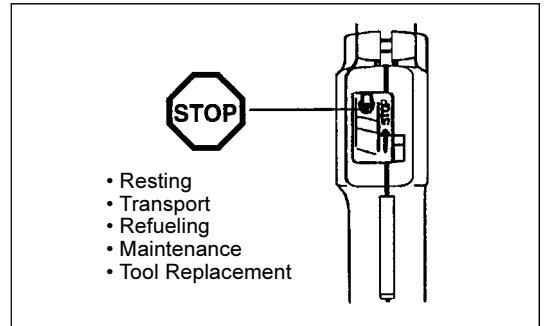
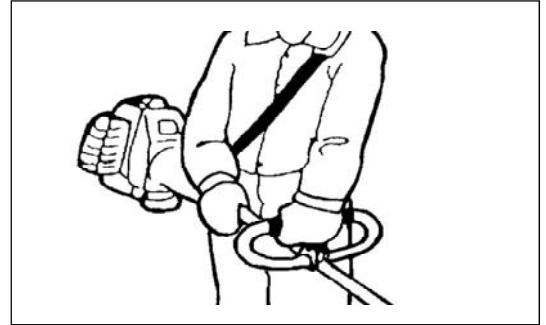
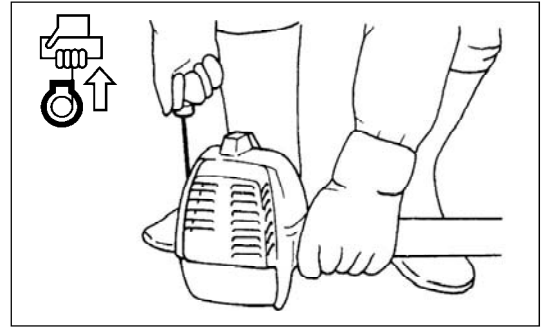
Start the string trimmer only in accordance with the instructions.

Do not use any other methods for starting the engine!

- Use the string trimmer and the tools only for such applications as specified.
- Only start the string trimmer engine, after the entire assembly is done. Operation of the device is only permitted after all the appropriate accessories are attached.
- Before starting make sure that the nylon cutting head has no contact with hard objects such as branches, stones etc. as the cutting tool will revolve when starting.
- The engine is to be switched off immediately in case of any engine problems.
- Should the nylon cutting head hit stones or other hard objects, immediately switch off the engine and inspect the nylon cutting head.
- Inspect the nylon cutting head at short regular intervals for damage (detection of hairline cracks by means of tapping-noise test).
- Operate the string trimmer only with the shoulder strap attached which is to be suitably adjusted before putting the string trimmer into operation. It is essential to adjust the shoulder strap according to the use's size to prevent fatigue occurring during use.
- During operation always hold the string trimmer with both hands. Always ensure a safe footing.
- Operate the string trimmer in such a manner as to avoid inhalation of exhaust gas. Never run the engine in enclosed rooms (risk of gas poisoning). Carbon monoxide is an odorless gas.
- Switch off the engine when resting and when leaving the string trimmer unattended, and place it in a safe location to prevent danger to others or damage to the machine.
- Never put the hot string trimmer onto dry grass or onto any combustible materials.
- The nylon cutting head has to be equipped with it's appropriate guard. Never run the trimmer without this guard.
- All protective installations and guards supplied with the machine must be used during operation.
- Never operate the engine with faulty exhaust muffler.
- Shut off the engine during transport.
- During transport over long distances the tool protection included with the equipment must always be used.
- Ensure safe position of the string trimmer during car transportation to avoid fuel leakage.
- When transporting the string trimmer, ensure that the fuel tank is completely empty.
- When unloading the String Trimmer from the truck, never drop the Engine to the ground or this may severely damage the fuel tank.
- Except in case of emergency, never drop or cast the String Trimmer to the ground or this may severely damage the String Trimmer
- Remember to lift the entire equipment from the ground when moving the equipment. Dragging the fuel tank is highly dangerous and will cause damage and leakage of fuel, possibly causing fire.

### Refueling

- Shut off the engine during refuelling, keep away from open flames and do not smoke.
- Avoid skin contact with mineral oil products. Do not inhale fuel vapor. Always wear protective gloves during refuelling. Change and clean protective clothing at regular intervals.
- Take care not to spill either fuel or oil in order to prevent soil contamination (environmental protection). Clean the string trimmer immediately after fuel has been spilled.
- Avoid any fuel contact with your clothing. Change your clothing instantly if fuel has been spilt on it (to prevent clothing catching fire).
- Inspect the fuel cap at regular intervals making sure that it can be securely fastened and does not leak.
- Carefully tighten the fuel tank cap. Change location to start the engine (at least 3 meters away from the place of refuelling).
- Never refuel in closed rooms. Fuel vapors accumulate at ground level (risk of explosion).
- Only transport and store fuel in approved containers. Make sure the fuel stored is not accessible to children.



## Method of operation

- Only use the string trimmer in good lighting and visibility. During the winter season beware of slippery or wet areas, ice and snow (risk of slipping). Always ensure a safe footing.
- Never cut above the waist height.
- Never stand on a ladder and run the string trimmer.
- Never climb up trees to perform cutting operation with the string trimmer.
- Never work on unstable surfaces.
- Remove sand, stones, nails etc. found within the working range. Foreign particles may damage the nylon cutting head and can cause dangerous kick-backs.
- Before commencing cutting, the nylon cutting head must have reached full working speed.

## Cutting Tools

Employ only the correct nylon cutting head for the job in hand.

For cutting thick materials, such as weed, high grass, bushes, shrubs, underwood, thicket etc. (max. 2 cm dia. thickness). Perform this cutting work by swinging the string trimmer evenly in half-circles from right to left (similar to using a scythe).

## Maintenance instructions

- The condition of the trimmer also of the shoulder strap must be checked before commencing work.
- Turn off the engine and remove the spark plug connector when replacing, and also when cleaning the nylon cutting head.
- Operate the string trimmer with as little noise and contamination as possible. In particular, check the correct setting of the carburetor.
- Clean the string trimmer at regular intervals and check that all screws and nuts are well tightened.
- Never service or store the string trimmer in the vicinity of naked flames.
- Always store the string trimmer in locked rooms and with an emptied fuel tank.

Observe the relevant accident prevention instructions issued by the relevant trade associations and by the insurance companies.  
Do not perform any modifications on the string trimmer as this will endanger your safety.

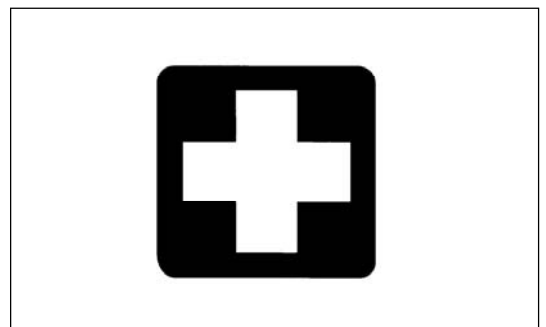
The performance of maintenance or repair work by the user is limited to those activities as described in the instruction manual. All the other work is to be done by an Authorized Service Agent. Use only genuine spare parts and accessories released and supplied by MAKITA.  
Use of non-approved accessories and tools means increased risk of accidents.  
MAKITA will not accept any liability for accidents or damage caused by the use of non-approved nylon cutting heads and fixing devices of nylon cutting heads, or accessories.

## First Aid

In case of accident, make sure that a first-aid box is available in the vicinity of the cutting operations. Immediately replace any item taken from the first aid box.

### When asking for help, please give the following information:

- Place of accident
- What happened
- Number of injured persons
- Kind of injuries
- Your name



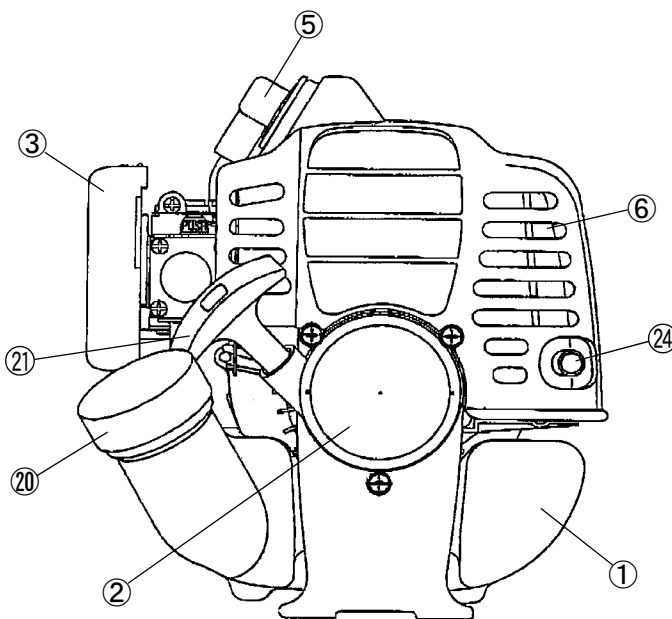
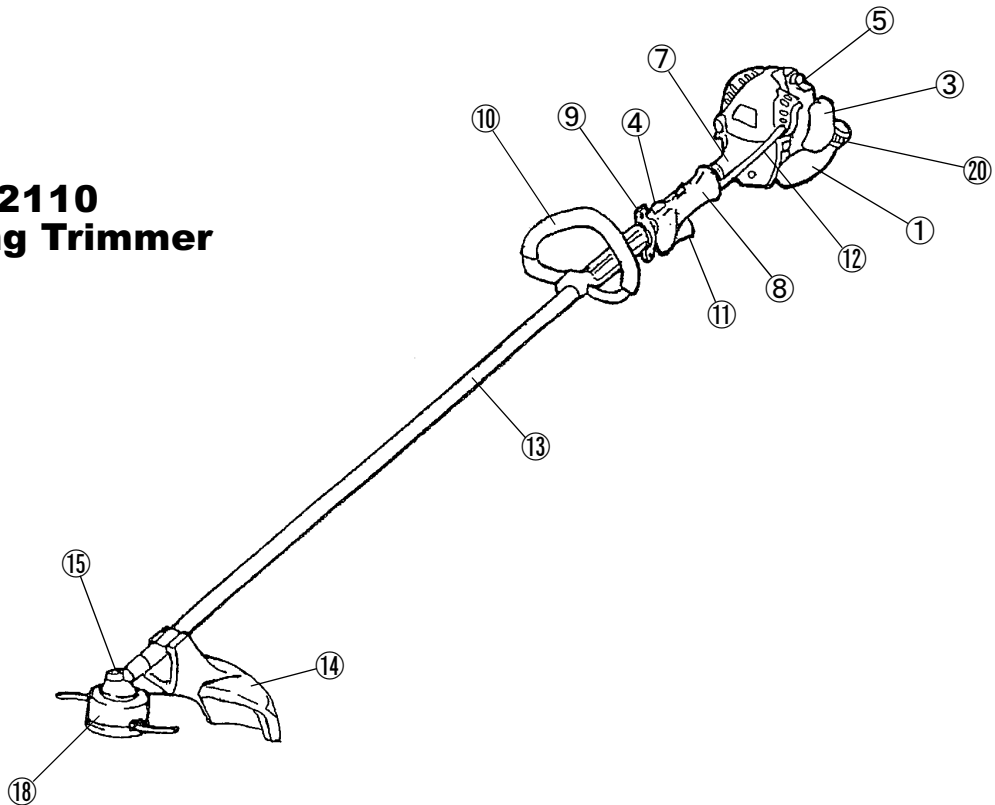
## SPECIFICATION

Model	RBC2110	
Dimensions : length x width x height (without nylon cutting head)	mm	1735 x 235 x 220 (68-1/4" x 9-1/4" x 8-5/8")
Mass (without plastic guard and nylon cutting head)	kg	3.6
Volume (fuel tank)	L	0.4
Engine displacement	cc	21.0
Maximum engine performance	HP	0.83 /7000 /min
Engine speed at recommended max, spindle speed	/min	8800
Maximum spindle speed (corresponding)	/min	6000
Idling speed	/min	3000
Clutch engagement speed	/min	4000
Carburetor (Diaphragm - carburetor)	type	TK TZ9V
Ignition system	type	Solid state ignition
Spark plug	type	NGK BPM7A
Electrode gap	mm	0.6-0.7(0.024"-0.028")
Fuel		Mixed gas (gasoline : two stroke oil = 50 : 1)
Gear ratio		14/19

**\* WARNING: MODEL RBC2110 must not be used with a metal blade.**

## DESIGNATION OF PARTS

### RBC2110 String Trimmer



GB	DESIGNATION OF PARTS
1	Fuel Tank
2	Rewind Starter
3	Air Cleaner cover
4	I-O Switch (on/off)
5	Spark Plug
6	Exhaust Muffler
7	Clutch Case
8	Rear Grip
9	Hanger
10	Handle
11	Control Lever
12	Control Cable
13	Shaft
14	Protector
15	Gear Case/Head Case
18	Nylon Cutting Head
20	Fuel Filler Cap
21	Starter Knob
24	Exhaust Pipe

## ASSEMBLY OF ENGINE AND SHAFT



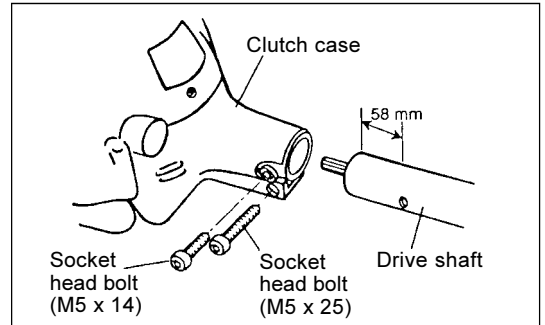
**CAUTION:** Before doing any work on the string trimmer, always switch off the engine and pull the spark plug connector off the spark plug. Always wear protective gloves.

**CAUTION:** Start the string trimmer only after having assembled it completely.

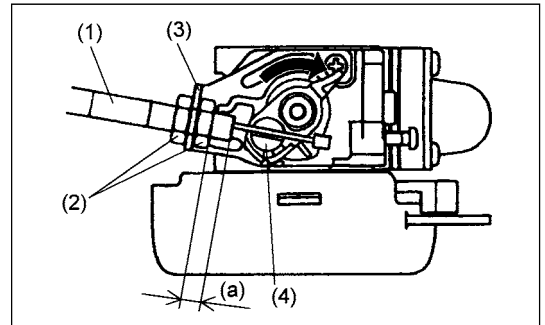
– Insert the drive shaft into the holder case (Fig).

**Note:** Always insert the drive shaft into the Clutch case fully (approx. 58 mm). If the inner shaft resists full insertion of the drive shaft, try to insert it again after slightly rotating the drive shaft or the support washer on the gear case to match the inner shaft to the hole inside the holder case.

– After making sure that the drive shaft is installed fully and properly, tighten the socket head bolt (M5 x 14) and socket head bolt (M5 x 25) to secure the drive shaft.

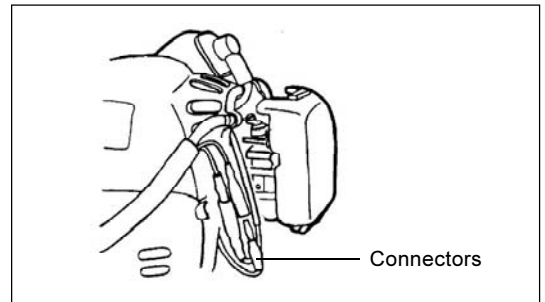


– Put the carburetor bracket (3) between the 2 nuts (M6) (2) attached to the control cable (1) and tighten the 2 nuts (2) ensuring that the distance (a) to the tip of the screw of the control cable is 3.0 to 4.0 mm. Then, insert the nipple of the control cable into the swivel (4) of the carburetor.



Connect the switch cords to the two cords from the engine by inserting one into the other.

– Fix the cord connector by clamp.



## MOUNTING OF HANDLE

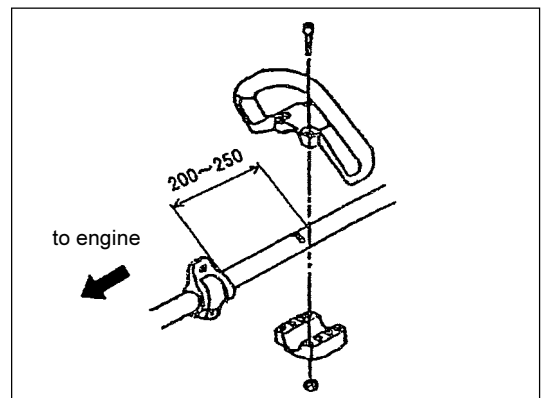


**CAUTION:** Before doing any work on the string trimmer, always switch off the engine and pull the spark plug connector off the spark plug. Always wear protective gloves.

**CAUTION:** Start the string trimmer only after having assembled it completely.

### For machine with Loop handle

- Do not adjust position of the loop handle too close to the control grip
- The standard position of the handle is 200mm to 250mm from the hanger.





## MOUNTING OF PROTECTOR

To meet the applicable safety provisions, only the tool/protector combinations as indicated in the table must be used.

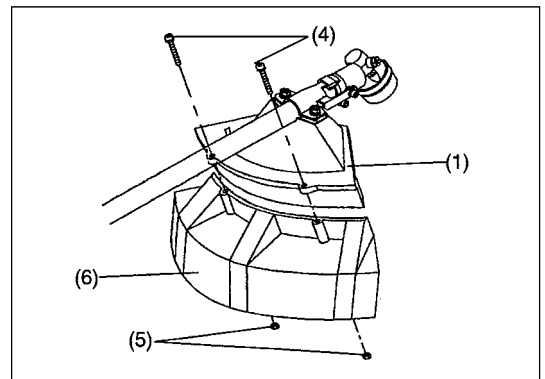
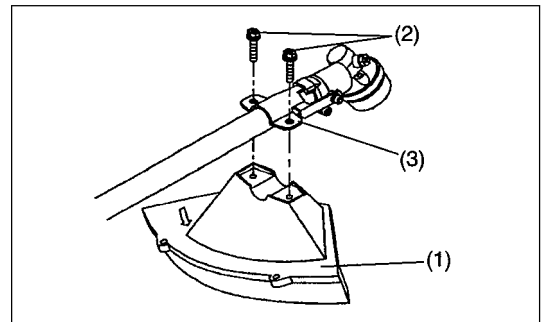
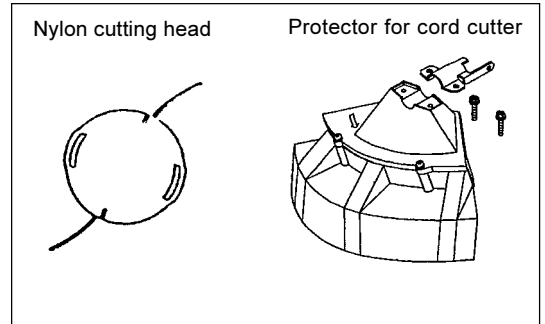
**Be sure to use genuine MAKITA nylon cutting head.**

–If the nylon cutting head hits against a stone during operation, stop the engine and check the nylon cutting head immediately.

**CAUTION:** The appropriate protector must always be installed, for your own safety and in order to comply with accident-prevention regulations.  
Operation of the equipment without the guard being in place is not permitted.

–Fix the protector (1) to the clamp (3) with two bolts M6 x 30 (2).

–When using the string head, fit the protector (6) into the protector (1), and tighten them with two nuts (5) and two screws (4).

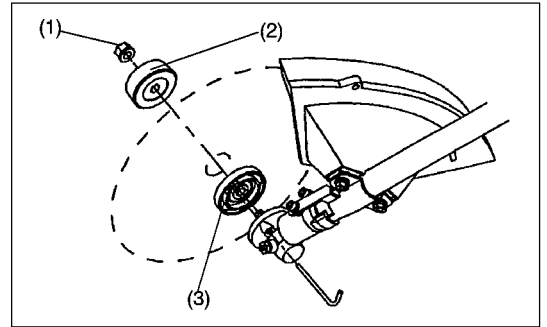


## MOUNTING OF NYLON CUTTER HEAD

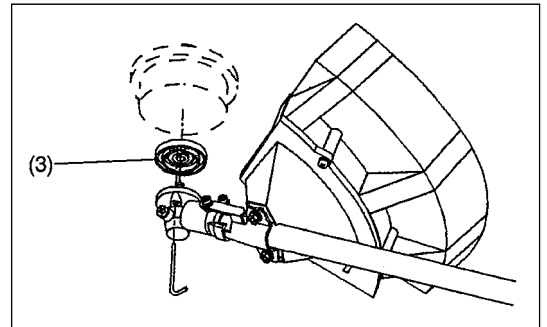


Turn the machine upside down, and you can replace the nylon cutting head.

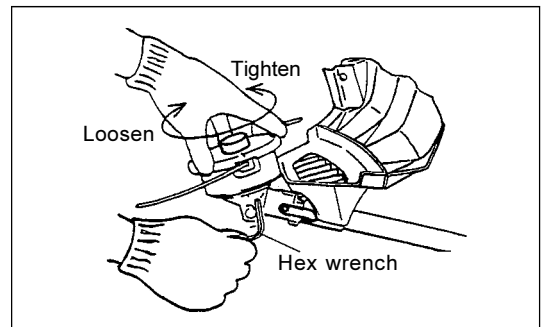
- Insert the hex wrench through the hole in the gear case and rotate the receiver washer (3) until it is locked with the hex wrench.
- Loosen the nut (1) (left-hand thread) with the socket wrench and remove the nut (1), and clamp washer (2).



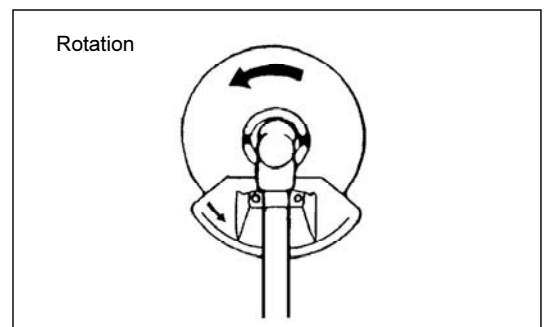
NOTE: The clamp washer (2), and nut (1) are not necessary for mounting the nylon cutting head. The nylon head should go on top of the receiver washer (3).



- Screw the nylon cutting head onto the shaft.



- Make sure that the blade is the left way up.



## FUELS/REFUELING

### Handling fuel

Utmost care is required when handling fuel. Fuel may contain substances similar to solvents. Refuel either in a well ventilated room or outdoors. Do not inhale fuel vapors, avoid any contact of fuel or oil with your skin. Mineral oil products degrease your skin. If your skin comes in contact with these substances repeatedly and for an extended period of time, it will desiccate. Various skin diseases may result. In addition, allergic reactions may occur. Eyes can be irritated by contact with oil. If oil comes into your eyes, immediately wash them with clear water. If your eyes are still irritated, see a doctor immediately.

### Fuel and oil mixture

Inspect the fuel tank and fill with clean, fresh fuel of the proper mixture to assure the longer life of the tool.

### Use the following mixed gas.

- Gasoline : MAKITA genuine two-stroke engine oil = 50 : 1 or
- Gasoline : Other Maker's Two-stroke engine oil = 25:1



Observe the Safety Instructions on page 4 !

### FOR CALIFORNIA REGULATION: THIS EQUIPMENT IS CERTIFIED TO OPERATE ON GASOLINE + TWO STROKE OIL

When mixing gasoline with two-stroke engine oil, use only unleaded gasoline which contains no ethanol, or methanol (type of alcohol). This will help to avoid possible damage to engine fuel lines and other engine parts. Do not mix gasoline and oil directly in the fuel tank.

**IMPORTANT:** Failure to follow proper fuel mix instructions may cause damage to the engine.

- CAUTION:**
1. When preparing fuel mixture, mix only the amount needed for the job you are to do. Do not use fuel mixture that has been stored longer than two months. Fuel mixture stored longer than two months will cause hard starting and poor performance. If fuel mixture has been stored longer than this time, it should be removed and filled with a fresh mixture.
  2. Never fill the fuel tank to the very top.
  3. Never add the fuel to the tank in a closed unventilated area.
  4. Do not add fuel to this unit close to an open fire or sparks.
  5. Be sure to wipe off spilled fuel before attempting to start the engine.
  6. Do not attempt to refuel a hot engine.

### Check points before operation

1. Check for loose bolts, nuts and fittings.
2. Check the air cleaner for dirt. Clean the air filter of all dirt, etc. before operation
3. Check to be sure that protector is securely in place.

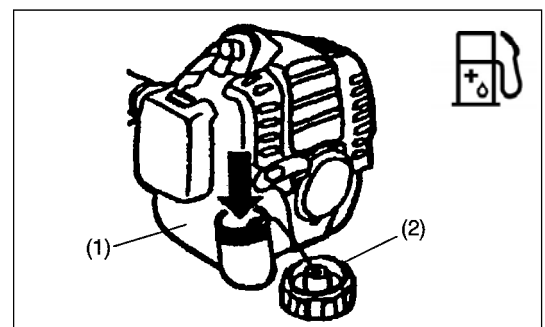
### Refueling

#### The engine must be switched off.

- Thoroughly clean the area around the fuel filler cap (2), to prevent dirt from getting into the fuel tank (1).
- Unscrew the fuel filler cap (2) and fill the tank with fuel.
- Tightly screw on the fuel filler cap (2).
- Clean screw fuel filler cap (2) and tank after refueling.

### Storage of Fuel

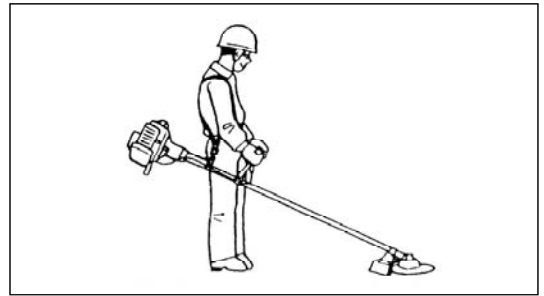
Fuel cannot be stored for an unlimited period of time. Purchase only the quantity required for a 4 week operating period. Only use approved fuel storage containers.



## CORRECT HANDLING OF MACHINE

### Attachment of shoulder strap

– Adjust the strap length so that the cutter blade will be kept parallel with the ground.

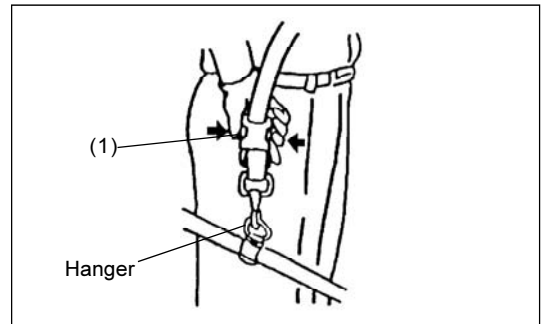


### Detachment

– In an emergency, push the notches (1) at both sides, and you can detach the machine from you.

Be extremely careful to maintain control of the machine at this time. Do not allow the machine to be deflected toward you or anyone in the work vicinity.

**WARNING:** Failure to maintain complete control of the machine at all could result in serious bodily injury or DEATH.



## PUTTING INTO OPERATION

Observe the applicable accident prevention regulations.



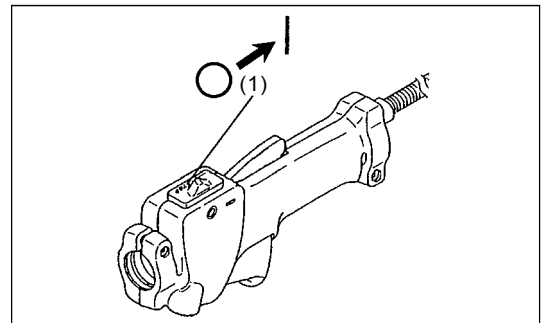
### Starting

Move at least 3m away from the place of refuelling. Place the string trimmer on a clean piece of ground taking care that the nylon cutting head does not come into contact with the ground or any other objects.

### Cold start

#### For machine with Loop Handle

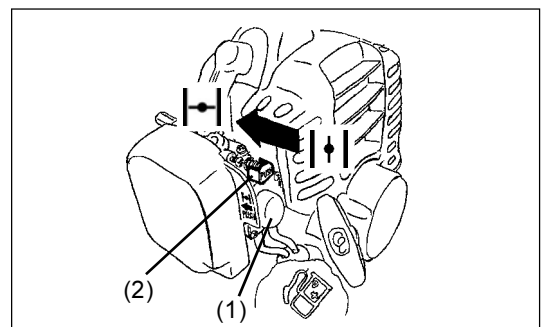
– Push the I-O switch (1) in the direction shown by the arrow.



– First place the machine on the ground.

– Give a gentle push on the primer pump (1) repeatedly (7-10 times) until fuel comes into the primer pump.

– Push the choke button (2) to the position "↔"



– Firmly hold the clutch case by your left hand, as illustrated.

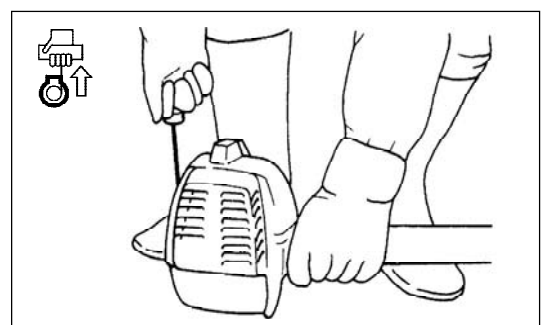
– Slowly pull the starter grip until resistance is felt and continue with a smart pull.

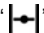
– Do not pull out the starter rope to its full extent and do not allow the starter handle to be retracted without control, but ensure that it is retracted slowly.

– Repeat the starting operation until initial ignitions are heard.

– When the engine starts, please open the throttle lever a little. The choke button being automatic, it returns to original position "↑↓".

– Run the engine for approximately one minute at a moderate speed before applying full throttle.



- Note: – If the starter knob is pulled repeatedly when the choke button remains at “” position, the engine will not start easily due to excessive fuel intake.
- In case of excessive fuel intake, remove the spark plug and pull the starter knob slowly to remove excess fuel. Also, dry the electrode section of the spark plug.

**Caution during operation:**

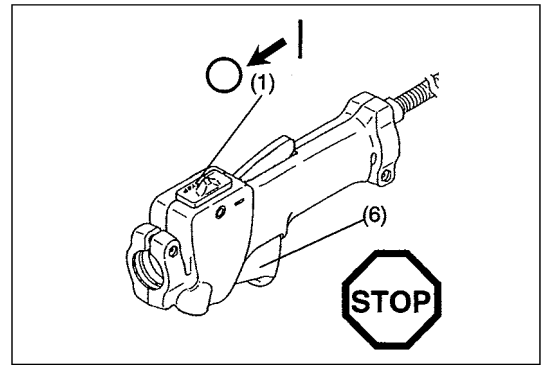
If the control lever is opened fully in a no-load operation, the engine rotation is increased to 10,000 rpm or more. Never operate the engine at a higher speed than required and at an approximate speed of 6,000 - 8,000 / min.

**Starting the warm engine**

–As described above, except without moving the choke button.

**Stopping**

- Release the throttle lever (6) fully, and when the engine rpm has lowered, push the I-O switch (1) to “O” position the engine will now stop.
- Be aware that the cutting head may not stop immediately and allow it to slow down fully.

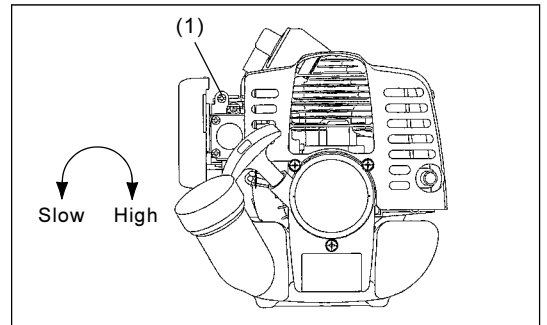


**IDLE ADJUSTMENT**

The nylon cutting head should not run when the control lever is fully released. If necessary, adjust the idle rpm using the idle adjusting screw.

**Checking the Idling speed**

- Idle speed should be set to 3,000 / min.
- If necessary correct it by means of the idle screw (the nylon cutting head must not turn when the engine is on idle).
- Screwing in the screw (1) will cause an increase in the engine speed, whereas backing off the screw will reduce the engine speed.

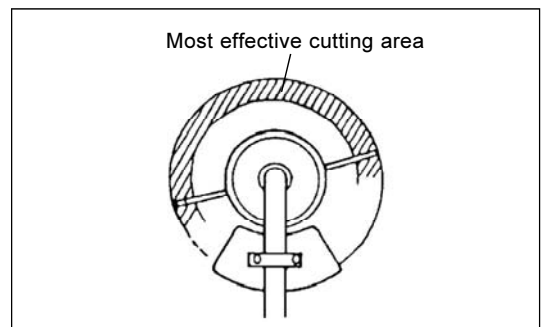


**NYLON CUTTING HEAD**

The nylon cutting head is a dual string trimmer head capable of bump & feed mechanisms. The nylon cutting head will automatically feed out the proper length of nylon cord by the changes in centrifugal force caused by increasing or decreasing RPMS. However, to cut soft grass more efficiently, bump the nylon cutting head against the ground to feed out extra cord as indicated under operation section.

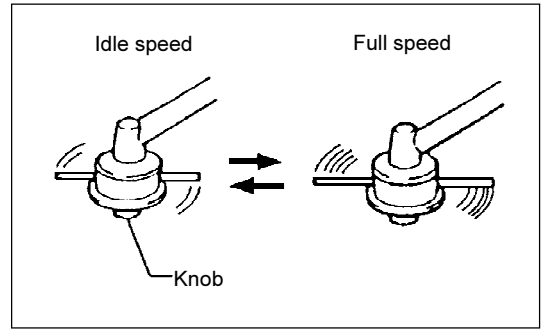
**Operation**

- Increase the nylon cutting head speed to approx. 6,000 / min.
- Low speed (under 4,800 / min) is not suitable, the nylon cord will not feed out properly at low speed.
- The most effective cutting area is shown by the shaded area.



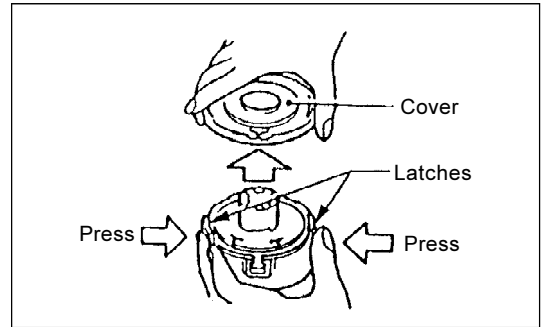
**If the nylon cord does not feed out proceed as follows:**

1. Release the control lever to run the engine idle and then squeeze the control lever fully. Repeat this procedure until the nylon cord feeds out to the proper length.
2. If the nylon cord is too short to feed out automatically with the above procedure, bump the knob of the nylon cutting head against the ground to feed out the nylon cord.
3. If the nylon cord does not feed out with procedure 2, rewind/replace the nylon cord by following the procedures described under "Replacing the nylon cord".

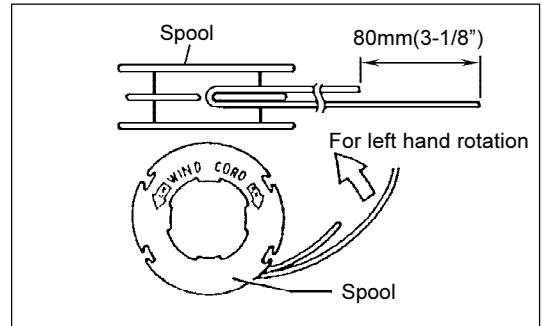


**Replacing the nylon cord**

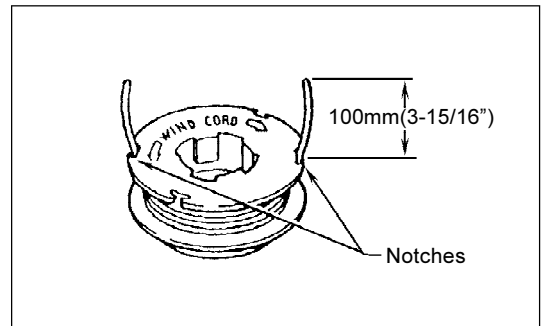
- First, stop the engine.
- Press on the housing latches inward to lift off the cover, then remove the spool.



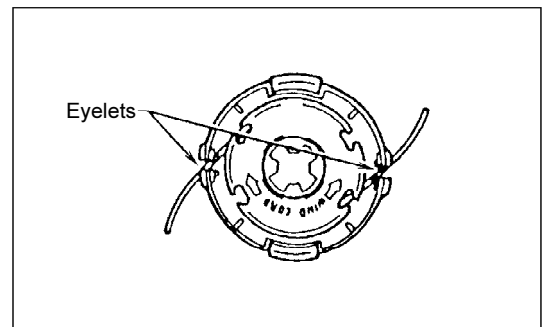
- Hook the center of new nylon cord into the notch in the center of the spool, with one end of the cord extending about 80mm (3-1/8") more than the other. Then wind both ends firmly around the spool in the direction of the head rotation (left-hand direction indicated by LH and right-hand direction by RH on the side of the spool).



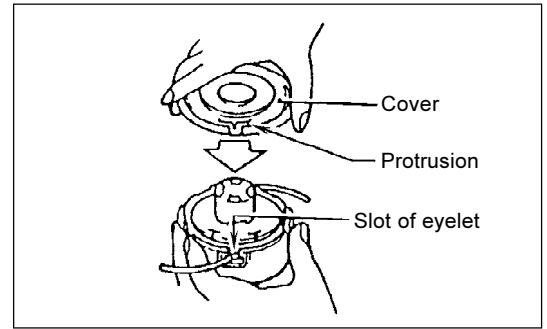
- Wind all but about 100mm (3-15/16") of the cords, leaving the ends temporarily hooked through a notch on the side of the spool.



- Mount the spool in the housing so that the grooves and protrusions on the spool match up with those in the housing. Keep the side with letters on the spool visible on the top. Now, unhook the ends of the cord from their temporary position and feed the cords through the eyelets to come out of the housing.



- Align the protrusion on the underside of the cover with the slots of the eyelets.  
Then push cover firmly onto the housing to secure it.



## SERVICING INSTRUCTIONS



**CAUTION:** Before doing any work on the string trimmer, always switch off the engine and pull the plug cap off the spark plug (see “checking the spark plug”).  
Always wear protective gloves!

To ensure a long service life and to avoid any damage to the equipment, the following servicing operations should be performed at regular intervals.

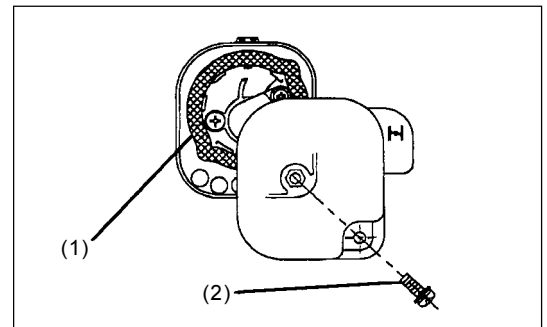
### Daily checkup and maintenance

- Before operation, check the machine for loose screws or missing parts. Pay particular attention to the tightness of the nylon cutting head.
- Before operation, always check for clogging of the cooling air passage and the cylinder fins.  
Clean them if necessary.
- Perform the following work daily after use:
  - Clean the string trimmer externally and inspect for damage.
  - Clean the air filter. When working under extremely dusty conditions, clean the filter the several times a day.
  - Check the nylon cutting head for damage and make sure it is firmly mounted.
  - Check that there is sufficient difference between idling and engagement speed to ensure that the nylon cutting head is at a standstill while the engine is idling (if necessary, reduce idling speed).  
If under idling conditions the tool should still continue to run, consult your nearest Authorized Service Agent.
- Check the functioning of the I-O switch, the lock-off lever, the control lever, and the lock button.

### Cleaning of air cleaner

Clogging of the element (1) may sometimes make it difficult or impossible to start up the engine or increase the engine speed.  
After the end of operation, be sure to clean the air cleaner as mentioned below.

- Remove the air cleaner cover screw.
- Place the finger under the air cleaner cover, push down the cover lower part, and detach the air cleaner cover.
- Take out the element (1), clean it with lukewarm water mixed with neutral detergent, and dry it completely.
- After cleaning, attach the element.
- Insert the claw at the case upper part into the hole at the upper part of the air cleaner cover. Then, attach the air cleaner cover by pushing it, and tighten the screw (2).

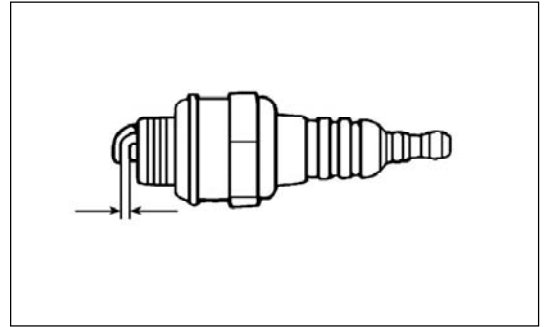


**NOTE:** If there is excessive dust or dirt adhering to the air cleaner, clean it every day. A clogged air cleaner may make it difficult or impossible to start the engine or increase the engine rotational speed.

### Checking the spark plug

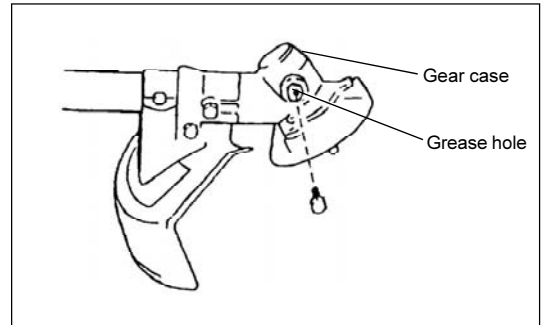
- Only use the supplied universal wrench to remove or to install the spark plug.
- The gap between the two electrodes of the spark plug should be 0.6 - 0.7 mm (0.024" - 0.028"). If the gap is too wide or too narrow, adjust it. If the spark plug is clogged with carbon or fouled, clean it thoroughly or replace it.

CAUTION: Never touch the spark plug connector while the engine is running (danger of high voltage electric shock).



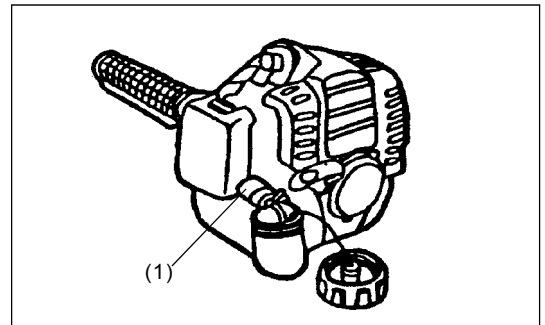
### Supply of grease to gear case

- Supply grease (Shell Alvania 3 or equivalent) to the gear case through the grease hole every 30 hours. (Genuine MAKITA grease may be purchased from your MAKITA dealer.)



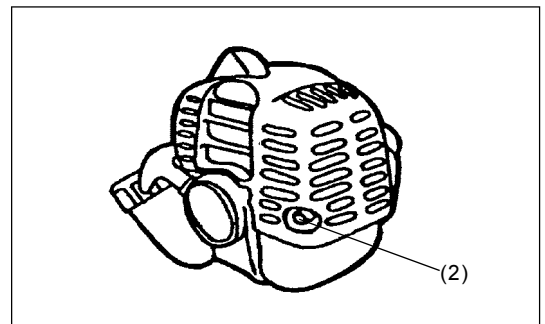
### Suction head in the fuel tank

- The felt filler (1) of the suction head is used to filter the fuel required by the carburetor.
- A periodical visual inspection of the felt filter is to be conducted. For that purpose open the tank cap, use a wire hook and pull out the suction head through the tank opening. Filters found to have hardened, been polluted or clogged up are to be replaced.
- Insufficient fuel supply can result in the admissible maximum speed being exceeded. It is therefore important to replace the felt filter at least quarterly to ensure satisfactory fuel supply to the carburetor.



### Cleaning of muffler exhaust port

- Check of muffler exhaust port (2) regularly.
- If it is clogged by carbon deposits, carefully scratch the deposits out with a suitable tool.

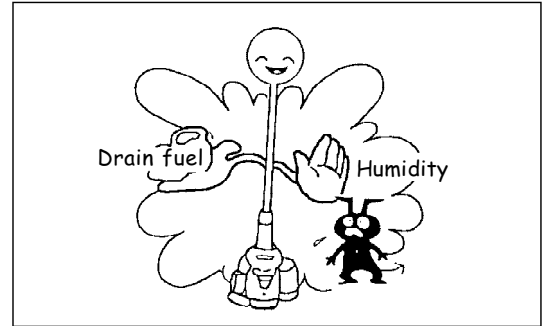


Any maintenance or adjustment work that is not included and described in this manual is only to be performed by Authorized Service Agents.



## STORAGE

- When the machine is in storage for a long time, drain fuel from the fuel tank and carburetor, as follows: Drain all fuel from the fuel tank. Dispose of properly and in accordance with all local laws.
- Remove the spark plug and a few drops of oil into the spark plug hole. Then, pull the starter gently, so that oil covers the engine inside and tighten the spark plug.
- Clear dirt or dust from the nylon cutting head and outside of engine, wipe them with a oil-immersed cloth and keep the machine in a place as dry as possible.



## Maintenance schedule

General	Engine assembly, screws and nuts	Visual inspection for damage and tightness Check for general condition and security
After each refuelling	Control lever I-O-switch	Functional check Functional check
Daily	Air filter Cooling air duct Cutting tool Idling speed	To be cleaned To be cleaned Check for damage Inspection (cutting tool must not move)
Weekly	Spark plug Muffler	Inspection, replace if necessary Check and if necessary clean the opening
Quarterly	Suction head Fuel tank	To be replaced To be cleaned
Shutting down procedure	Fuel tank Carburetor	Empty fuel tank Operate until engine runs out of fuel

## Fault location

Fault	System	Observation	Cause
Engine not starting or with difficulty	Ignition system	Ignition spark O.K.	Fault in fuel supply or compression system, mechanical defect
		No ignition spark	STOP-switch operated, wiring fault or short circuit, spark plug or connector defective, ignition module faulty
	Fuel supply	Fuel tank filled	Incorrect choke position, carburetor defective, fuel supply line bent or blocked, fuel dirty.
	Compression	No compression when pulled over	Cylinder bottom gasket defective, crankshaft seals damaged, cylinder or piston rings defective or improper sealing of spark plug
Warm start problems	Mechanical fault	Starter not engaging	Broken starter spring, broken parts inside of the engine
		Tank filled ignition spark existing	Carburetor contaminated, must be cleaned
Engine starts but dies	Fuel supply	Tank filled	Incorrect idling adjustment, carburetor contaminated Fuel tank vent defective, fuel supply line interrupted, cable or STOP-switch faulty
Insufficient performance	Several systems may simultaneously be affected	Engine idling poor	Air filter contaminated, carburetor contaminated, muffler clogged, exhaust duct in the cylinder clogged

## **EMISSON COMPLIANCE PERIOD**

For handheld engine : The Emissions

Compliance Period referred to on the Emissions

Compliance label indicates the number of operating hours for which the engine has been shown to meet Federal emission requirements.

Category C=50 hours, B=125 hours, and A=300 hours.

## **FEDERAL EMISSION COMPONENT DEFECT WARRANTY**

**EMISSION COMPONENT DEFECT WARRANTY COVERAGE** - This emission warranty is applicable in all States, except the State of California

Makita U.S.A., Inc., La Mirada, California, (herein "MAKITA") warrant to the initial retail purchaser and each subsequent owner, that this utility equipment engine (herein "engine" ) was designed, built, and equipped to conform at the time of initial sale to all applicable regulations of the U.S. Environmental Protection Agency (EPA), and that the engine is free of defects in materials and workmanship which would cause this engine to fail to conform with EPA regulations during its warranty period.

For the components listed under PARTS COVERED, Makita Factory Service Center or service center authorized by MAKITA will, at no cost to you, make the necessary diagnosis, repair, or replacement necessary to ensure that the engine complies with applicable U.S. EPA regulations.

### **EMISSION COMPONENT DEFECT WARRANTY PERIOD**

The warranty period for this engine begins on the date of sale to the initial purchaser and continues for a period of 2 years.

### **PARTS COVERED**

Listed below are the parts covered by the Emission Component Defect Warranty. Some of the parts listed below may require scheduled maintenance and are warranted up to the first scheduled replacement point for that part.

- 1) Fuel Metering System
  - (i) Carburetor and internal parts
  - (ii) Fuel filter, if applicable
  - (iii) Throttle stopper, if applicable
  - (iv) Choke System, if applicable
- 2) Air Induction System
  - (i) Air cleaner plate
  - (ii) Air cleaner case
  - (iii) Air cleaner element
- 3) Ignition System
  - (i) Spark plug
  - (ii) Flywheel Magneto
  - (iii) Ignition Coil
- 4) Miscellaneous Items Used in Above Systems
  - (i) Fuel hoses. clamps and sealing gaskets

## OBTAINING WARRANTY SERVICE

To obtain warranty service, take your engine to the nearest Makita Factory Service Center or Service Center authorized by MAKITA. Bring your sales receipts indicating date of purchase for this engine. The dealer or service center authorized by MAKITA will perform the necessary repairs or adjustments within a reasonable amount of time and furnish you with a copy of the repair order. All parts and accessories replaced under this warranty become the property of MAKITA.

## WHAT IS NOT COVERED

- \* Conditions resulting from tampering, misuse, improper adjustment (unless they were made by the dealer or service center authorized by MAKITA during a warranty repair), alteration, accident, failure to use the recommended fuel and oil, or not performing required maintenance services.
- \* The replacement parts used for required maintenance services.
- \* Consequential damages such as loss of time, inconvenience, loss of use of the engine of equipment, etc.
- \* Diagnosis and inspection charges that do not result in warranty-eligible service being performed.
- \* Any non-authorized replacement part, or malfunction of authorized parts due to use of non-authorized parts.

## OWNER'S WARRANTY RESPONSIBILITIES

As the engine owner, you are responsible for the performance of the required maintenance listed in your owner's manual, MAKITA recommends that you retain all receipts covering maintenance on your engine, but MAKITA can not deny warranty solely for the lack of receipts or for your failure to ensure the performance of all scheduled maintenance.

As the engine owner, you should however be aware that the MAKITA may deny your warranty coverage if your engine or a part has failed due to abuse, neglect, improper maintenance or unapproved modifications.

You are responsible for presenting your engine to the nearest Makita Factory Service Center or service center authorized by MAKITA when a problem exists.

If you have any questions regarding your warranty rights and responsibilities, you should contact the Makita Warranty Service Department at 1-800-4-MAKITA for the information.

## THINGS YOU SHOULD KNOW ABOUT THE EMISSION CONTROL SYSTEM WARRANTY

### MAINTENANCE AND REPAIRS

You are responsible for the proper use and maintenance of the engine. You should keep all receipts and maintenance records covering the performance of regular maintenance in the event questions arise. These receipts and maintenance records should be transferred to each subsequent owner of the engine. MAKITA reserves the rights to deny warranty coverage if the engine has not been properly maintained. Warranty claims will not be denied, however, solely because of the lack of required maintenance or failure to keep maintenance records.

MAINTENANCE, REPLACEMENT OR REPAIR OF EMISSION CONTROL DEVICES AND SYSTEMS MAY BE PERFORMED BY ANY REPAIR ESTABLISHMENT OR INDIVIDUAL; HOWEVER, WARRANTY REPAIRS MUST BE PERFORMED BY MAKITA FACTORY SERVICE CENTER OR SERVICE CENTER AUTHORIZED BY MAKITA. THE USE OF PARTS THAT ARE NOT EQUIVALENT IN PERFORMANCE AND DURABILITY TO AUTHORIZED PARTS MAY IMPAIR THE EFFECTIVENESS OF THE EMISSION CONTROL SYSTEM AND MAY HAVE A BEARING ON THE OUTCOME OF WARRANTY CLAIM.

If other than the parts authorized by MAKITA are used for maintenance replacements or for the repair of components affecting emission control, you should assure yourself that such parts are warranted by their manufacturer to be equivalent to the parts authorized by MAKITA in their performance and durability.

### HOW TO MAKE A CLAIM

All repairs qualifying under this limited warranty must be performed by Makita Factory Service Center or service center authorized by MAKITA. In the event that any emission-related part is found to be defective during the warranty period, you shall notify Makita Warranty Service Department at 1-800-4-MAKITA and you will be given the appropriate warranty service facilities where the warranty repair can be performed.

Nous vous remercions d'avoir fait l'acquisition de la taille-bordures MAKITA. Nous sommes heureux de pouvoir vous conseiller la taille-bordures MAKITA qui représente le résultat d'un long programme de développement et de plusieurs années de recherche et d'expérience. Veuillez lire cette brochure qui fait référence en détail aux différents points témoignant de l'efficacité exceptionnelle de votre taille-bordures MAKITA.



<b>Table des matières</b>	<b>Page</b>
Symboles .....	21
Consignes de sécurité .....	22
Caractéristiques techniques .....	25
Nomenclature des pièces .....	26
Assemblage du moteur et de l'arbre .....	27
Montage de la poignée .....	27
Montage du dispositif de protection .....	28
Montage de la tête de coupe à fil .....	29
Carburant/Ravitaillement .....	30
Manipulation correct de la machine .....	31
Mise en marche .....	31
Réglage du ralenti .....	32
Tête de coupe à fil en nylon .....	32
Instructions relatives aux réparations .....	34
Remisage .....	36

## SYMBOLES

Vous rencontrerez les symboles suivants en parcourant le manuel d'instructions.

	Lire le manuel d'instructions		Ne pas utiliser de lames métalliques
	Etre particulièrement soigneux et attentif		Vitesse maximale carburant et d'huile
	Interdit		Mélange de carburant et d'huile
	Maintenir ses distances		Démarrage manuel de la machine
	Risque de projections d'objets		Arrêt d'urgence
	Interdit de fumer		Premier secours
	Pas de flamme nue		Recyclage
	Porter des gants de protection		On/Démarrage
	Maintenir toute personne et tout animal domestique à l'écart de la zone de travail		Off/Arrêt
	Porter des protections visuelles et auditives		

# CONSIGNES DE SÉCURITÉ

## Instructions générales

- Pour utiliser la machine correctement, l'utilisateur doit lire ce manuel d'instructions afin de se familiariser avec la manipulation de la taille-bordures. Les utilisateurs disposant d'informations insuffisantes risquent de mettre leur propre vie comme celle de tiers en danger en manipulant la machine de façon incorrecte.
- Il est conseillé de prêter la taille-bordures uniquement à des personnes ayant fait leurs preuves dans la manipulation de taille-bordures. Toujours leur remettre le manuel d'instructions.
- Les premiers utilisateurs devraient demander au concessionnaire de leur dispenser les instructions de base afin de se familiariser à la manipulation de taille-bordures thermique.
- Les enfants et les jeunes gens de moins de 18 ans ne sont pas autorisés à utiliser la taille-bordures. Cependant, les jeunes gens âgés de plus de 16 ans peuvent utiliser la machine pour s'entraîner, mais uniquement sous la surveillance d'un formateur qualifié.
- Utiliser les taille-bordures avec le plus de soin et d'attention possibles.
- Utiliser la taille-bordures uniquement si vous êtes en bonne condition physique. Procéder aux travaux avec calme et attention. L'utilisateur est responsable vis à vis des autres personnes.
- Ne jamais utiliser la taille-bordures après absorption d'alcool ou de médicaments ou si l'on se sent fatigué ou souffrant.

## Utilisation spéciale de la machine

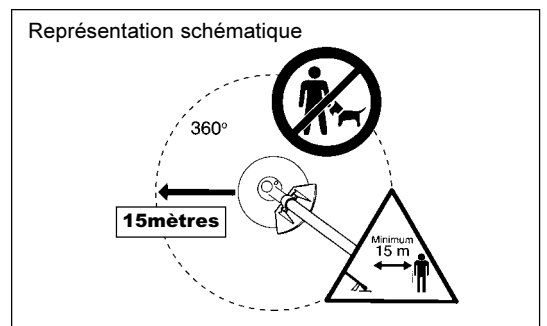
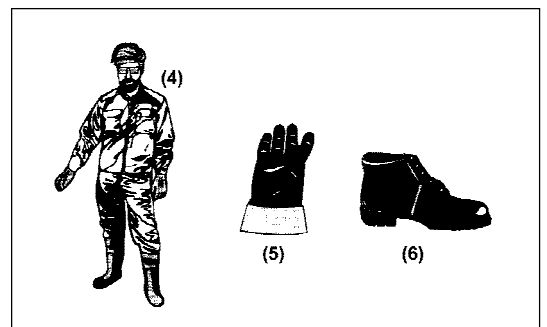
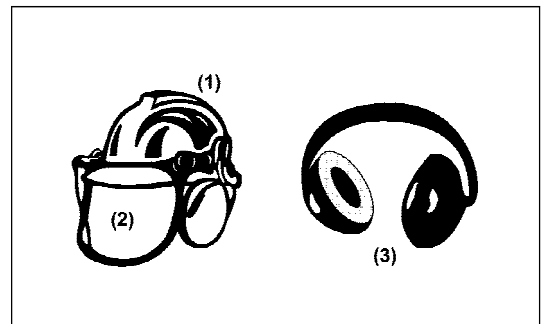
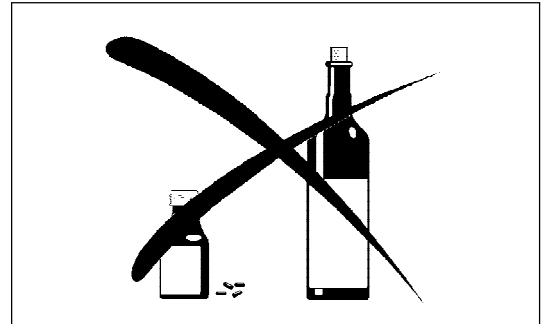
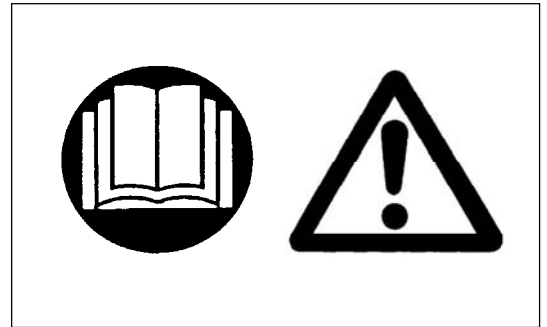
- La taille-bordures est seulement conçue pour couper l'herbes, broussailles et en sous-bois. Ne jamais employer la machine pour les usages comprenant tailles de bordure et de haies qui pourrait causer des blessures.

## Équipement personnel de protection

- Les habits doivent être fonctionnels et adaptés, c'est-à-dire qu'ils doivent être serrés sans toutefois entraver les mouvements. Ne pas porter de bijoux ou d'habits qui pourraient s'accrocher dans les buissons ou les broussailles.
- Porter l'équipement et les habits de protection lors de l'utilisation de la taille-bordures afin d'éviter les blessures au niveau de la tête, des yeux, des mains ou des pieds.
- Toujours porter un casque dans les endroits où les chutes d'objets sont possibles. Vérifier à intervalles réguliers si le casque de protection (1) n'est pas endommagé et le remplacer au plus tard après 5 ans. Utiliser uniquement des casques de protection réglementaires.
- La visière (2) du casque (ou les lunettes) protège le visage des débris et des pierres projetées. Toujours porter des lunettes ou une visière pour éviter les blessures au niveau des yeux lors de l'utilisation de la taille-bordures.
- Porter un équipement de protection contre le bruit approprié pour éviter une détérioration de l'ouïe (serre-tête (3), protège-tympons etc.).
- La combinaison de travail (4) protège contre les projections de débris et de pierres. Nous conseillons vivement à l'utilisateur d'en porter une.
- Des gants spéciaux (5) en cuir épais font partie de l'équipement prescrit et doivent être portés en permanence lors de l'utilisation de la taille-bordures.
- Lors de l'utilisation de la taille-bordures, toujours porter des chaussures de sécurité (6) munies d'une semelle antidérapante. Elles assurent une protection contre les blessures et un bon équilibre.

## Démarrage de la taille-bordures

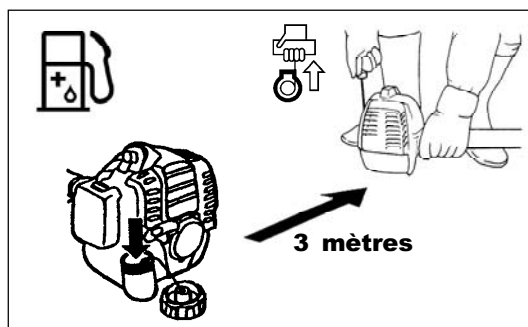
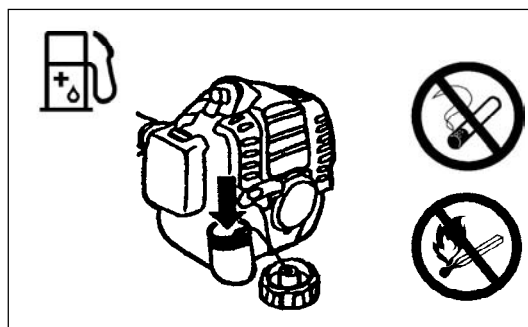
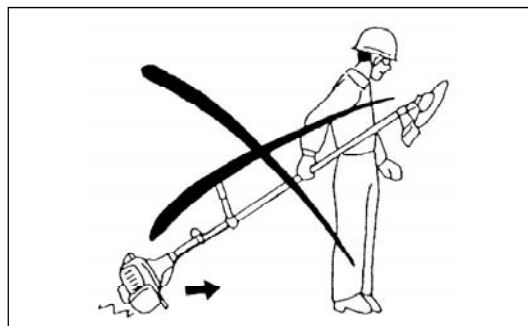
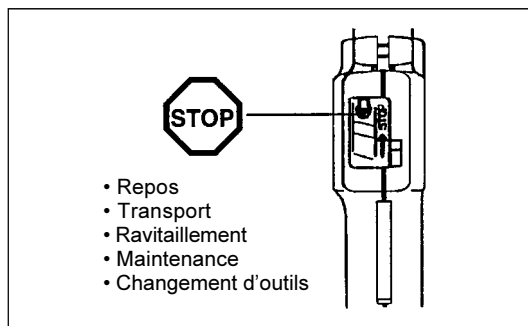
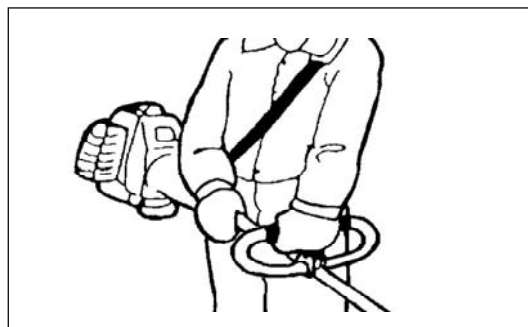
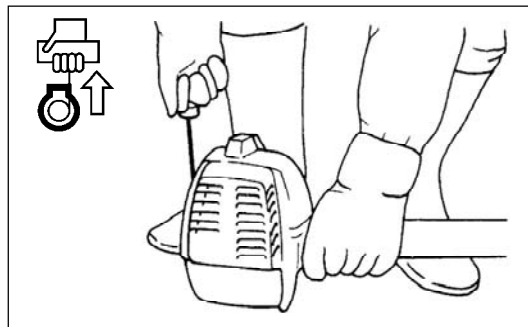
- Veuillez vous assurer de l'absence d'enfants ou d'autres personnes dans un rayon de 15 mètres ainsi que d'animaux à proximité de la zone de travail.
- Avant d'utiliser la machine, toujours vérifier que la taille-bordures peut fonctionner en toute sécurité. Vérifier si de la tête de coupe à fill est en bon état, si le levier de commande peut être actionné facilement. En cas de doute, consulter son revendeur pour les réglages. Au ralenti la tête de coupe ne doit pas tourner. Vérifier si les poignées sont propres et sèches et tester le fonctionnement de l'interrupteur de marche/arrêt.



- Mettre la taille-bordures en marche en appliquant strictement les instructions. Ne pas utiliser d'autres méthodes pour mettre la machine en marche!
- Utiliser la taille-bordures et les outils uniquement pour les applications conseillées.
  - Lancer le moteur de la taille-bordures uniquement une fois le montage intégralement réalisé. Il est interdit d'utiliser la machine avant que les accessoires appropriés ne soient montés
  - Avant de mettre la machine en marche, s'assurer que de la tête de coupe à fill n'est pas en contact avec des objets durs tels des branches ou des pierres car la lame de coupe tournera au démarrage.
  - Couper immédiatement le moteur en cas de problèmes.
  - Si la lame de coupe devait heurter des pierres ou d'autres objets durs, couper immédiatement le moteur et inspecter la lame de coupe.
  - Vérifier à intervalles réguliers que de la tête de coupe à fill n'est pas endommagé (détection de fêlures en sonnant l'outil).
  - Utiliser la taille-bordures uniquement lorsque le harnais est fixé sur l'épaule; ce harnais doit être ajusté correctement avant de mettre la machine en marche. Le harnais doit être ajusté en fonction de la taille de l'utilisateur afin d'éviter qu'il ne se fatigue.
  - Toujours tenir la taille-bordures avec les deux mains lors du fonctionnement. Toujours garantir une bonne stabilité.
  - Utiliser la taille-bordures de manière à éviter l'inhalation de gaz d'échappement. Ne jamais utiliser la machine dans des espaces clos (risque d'intoxication au gaz). Le monoxyde de carbone est un gaz inodore.
  - Coupez le moteur lors des pauses et lorsque vous laissez la taille-bordures sans surveillance et la placer dans un lieu sûr afin d'éviter de mettre la vie de tiers en danger ou d'endommager la machine.
  - Ne jamais placer la taille-bordures encore chaude sur de l'herbe sèche ou sur tout autre matériau combustible.
  - De la tête de coupe à fill doit être équipé de la protection appropriée. Ne jamais utiliser la taille-bordures sans cette protection!
  - Utiliser tous les dispositifs de protection fournis avec la machine.
  - Ne jamais lancer le moteur si le pot d'échappement est défectueux.
  - Couper le moteur lors du transport.
  - Toujours utiliser la protection de l'outil incluse dans l'équipement pour le transport sur de longues distances.
  - S'assurer du positionnement correct de la taille-bordures afin d'éviter des fuites d'huile.
  - Vérifier que le réservoir de carburant est complètement vide lors du transport de la taille-bordures.
  - Lors du déchargement de la taille-bordures ne jamais la laisser tomber sur le sol pour éviter des dommages importants sur le réservoir d'essence.
  - Sauf cas d'urgence, ne jamais laisser tomber ou lancer la taille-bordures sur le sol, cela endommagera sévèrement la taille-bordures.
  - Ne jamais trainer l'appareil pour le déplacer. Toujours le déplacer en le soulevant par le bas. Si l'appareil traîne sur le sol le réservoir à combustible peut être endommagé, le combustible risque de se renverser et provoquer un début d'incendie.

### Ravitaillement

- Couper le moteur durant le ravitaillement, se tenir à l'écart des flammes et ne pas fumer.
- Éviter les contacts cutanés avec des produits à base d'huile minérale. Ne pas respirer des vapeurs de carburant. Toujours porter des gants de protection lors du ravitaillement. Changer et nettoyer les habits de protection à intervalles réguliers.
- Prendre garde à ne pas renverser du carburant ou de l'huile afin d'éviter de polluer le sol (protection de l'environnement). Nettoyer immédiatement la taille-bordures après débordement de carburant.
- Évitez tout contact entre le carburant et les habits. Si du carburant a été renversé sur vos habits, changez-en immédiatement pour éviter que les habits ne prennent feu.
- Inspecter le bouchon du réservoir à intervalles réguliers en vérifiant s'il est serré correctement et qu'il n'y a pas de fuite.
- Serrer soigneusement le bouchon du réservoir du carburant. Changer d'endroit pour lancer le moteur (au moins à trois mètres de l'emplacement du ravitaillement).
- Ne jamais procéder au ravitaillement dans des espaces clos. Les vapeurs de carburant s'accumulent au niveau du sol (risque d'explosions).
- Transporter et stocker le carburant uniquement dans des containers réglementaires. S'assurer que le carburant stocké n'est pas accessible aux enfants.



## Méthode d'utilisation

- Utiliser la taille-bordures uniquement lorsque les conditions de luminosité et de visibilité sont bonnes. En hiver, être conscient des risques engendrés par le verglas, les zones humides, la glace et la neige (dérapage). Toujours garantir une bonne stabilité.
- Ne jamais couper au-dessus de la hauteur de la taille.
- Ne jamais se tenir sur une échelle en manipulant la taille-bordures.
- Ne jamais grimper dans les arbres pour procéder à des travaux de coupe avec la taille-bordures.
- Ne jamais travailler sur des surfaces instables.
- Retirer le sable, les pierres, les clous etc. trouvés à l'intérieur du rayon d'action. Les particules étrangères risquent d'endommager la lame de coupe et peuvent engendrer des projections dangereuses.
- Attendre que la lame ait atteint sa pleine vitesse de travail avant de commencer à couper.

## Tête de coupe à fill

Utiliser uniquement les tête de coupe à fill corrects pour procéder aux travaux.

Pour couper les matériaux épais, comme les mauvaises herbes, hautes herbes, buissons, les arbustes, sous-bois, fourrés, etc. (diamètre maximal de 2 cm). Pour ce genre de travaux, déplacer la taille-bordures en demi-cercles réguliers, de droite à gauche (comme avec une faux).

## Instructions de maintenance

- L'état de la taille-bordures, également de la courroie à passer sur l'épaule, doit être vérifié avant le début des travaux.
- Couper le moteur et retirer le connecteur de la bougie d'allumage lors de montage également lors du nettoyage de la taille-bordures ou tête de coupe à fill.
- Utiliser la taille-bordures à un niveau sonore et polluant aussi faible que possible. Contrôler en particulier si le carburateur est monté correctement.
- Nettoyer la taille-bordures à des intervalles réguliers et vérifier que l'ensemble des vis et des écrous soient bien serrés
- Ne jamais réparer ou remiser la taille-bordures à proximité de flammes.
- Toujours remiser la taille-bordures dans des pièces fermées à clé et en veillant à ce que le réservoir de carburant soit vide.

Respecter les instructions de prévention contre les accidents établies par les associations commerciales et les compagnies d'assurance habilitées.  
Ne procéder à aucune modification sur la taille-bordures car elles pourraient mettre votre vie en danger.

L'efficacité des travaux de maintenance et des réparations se limite aux opérations décrites dans le manuel d'instructions.  
Tout autre opération doit être effectuée par un agent habilité du service après-vente.

## Utiliser uniquement des pièces détachées et des accessoires d'origine commercialisés et fournis par MAKITA.

L'utilisation d'accessoires et d'outils non autorisés peut accroître le risque d'accidents.

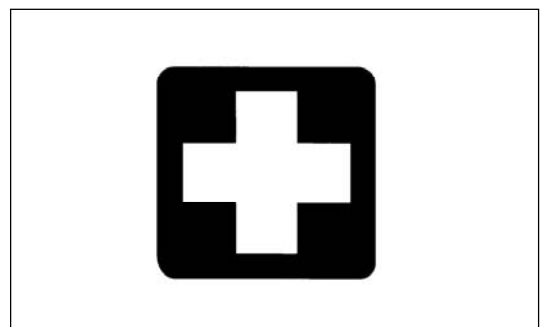
MAKITA décline toute responsabilité pour des accidents ou des dommages survenus à la suite de l'utilisation d'outils de coupe, d'appareils de fixation pour outils de coupe et d'accessoires non autorisés.

## Premier secours

Vérifier qu'une boîte de premier secours est toujours disponible à proximité du lieu de travail. Remplacer immédiatement tout article prélevé dans la boîte de premier secours.

## Si vous demandez du secours, veuillez indiquer les informations suivantes:

- Lieu de l'accident
- Ce qui se passe
- Le nombre de personnes blessées
- Le type de blessures
- Votre nom





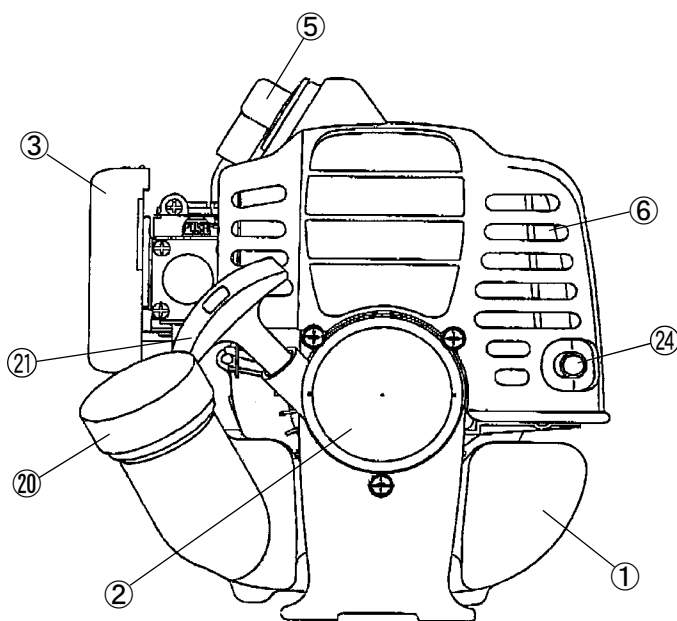
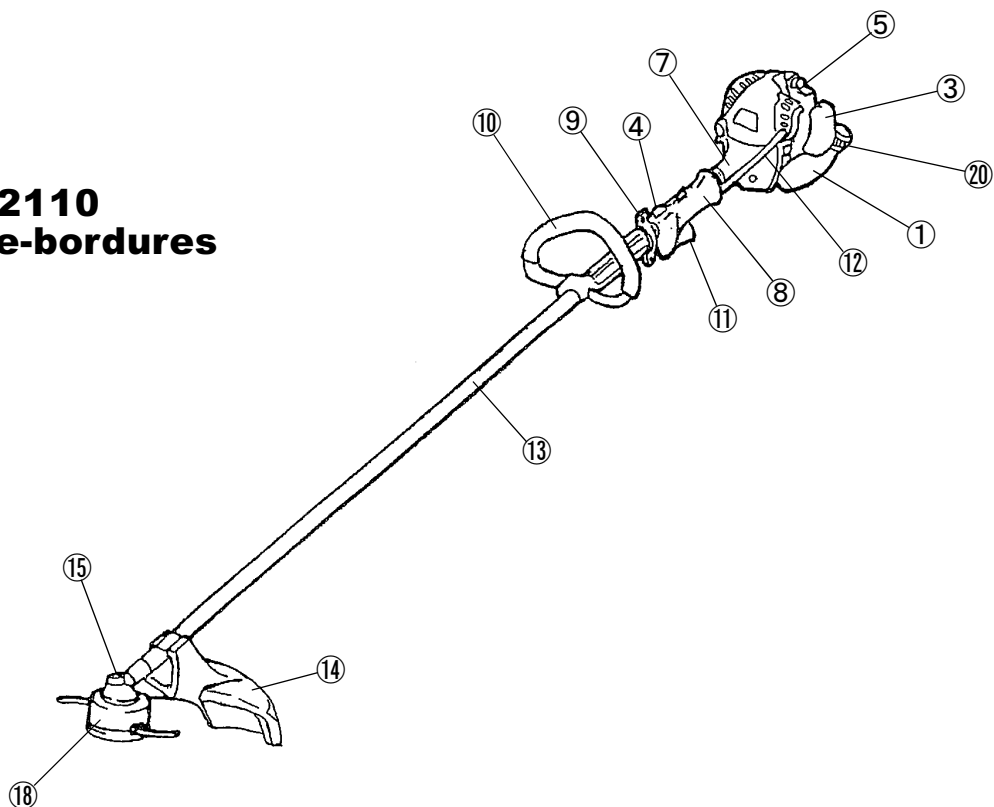
## CARACTERISTIQUES TECHNIQUES

Modèle	RBC2110	
Dimensions: longueur x largeur x hauteur (sans tête de coupe à fil)	mm	1735 x 235 x 220 (68-1/4" x 9-1/4" x 8-5/8")
Masse (sans protection en plastique et tête de coupe à fil)	kg	3.6
Volume (réservoir de carburant)	L	0.4
Cylindrée du moteur	cc	21.0
Puissance maximale du moteur	HP	0.83 /7000 /min
Vitesse du moteur à la vitesse max. autorisée pour l'arbre	/min	8800
Vitesse d'arbre maximale (correspondante)	/min	6000
Vitesse de rotation au ralenti	/min	3000
Vitesse d'embrayage	/min	4000
Carburateur (carburateur à diaphragme)	type	TK TZ9V
Système d'injection	type	Type Allumage électronique
Bougie d'allumage	type	NGK BPM7A
Jeu électrodes	mm	0.6-0.7 (0.024"-0.028")
Carburant		Mélange de carburant (Essence : huile à moteur deux temps = 50 : 1)
Rapport d'engrenage		14/19

**Avertissement: Le modèle RBC2110 ne devra pas être utilisé avec une lame en métallique.**

## NOMENCLATURE DES PIÈCES

### RBC2110 Taille-bordures



F	Nomenclature des pièces
1	Réservoir de carburant
2	Poulie d'enroulement du câble de démarrage
3	Filtre à air
4	Interrupteur I-O (marche/arrêt)
5	Bougie d'allumage
6	Protection d'échappement
7	Carter d'embrayage
8	Prise arrière
9	Anneau d'accrochage
10	Poignée
11	Levier de commande
12	Câble de commande
13	Arbre
14	Dispositif de protection
15	Carter de boîte de vitesse/Carter de tête
18	Tête de coupe à fil
20	Bouchon de réservoir carburant
21	Levier d'étranglement
24	Pot d'échappement

## ASSEMBLAGE DU MOTEUR ET DE L'ARBRE



**ATTENTION:** Toujours couper le moteur et retirer le connecteur de la bougie d'allumage avant de procéder à tout travail au niveau de la taille-bordures.

Toujours porter des gants de protection!

**ATTENTION:** Mettre la taille-bordures en marche uniquement après l'avoir assemblée complètement.

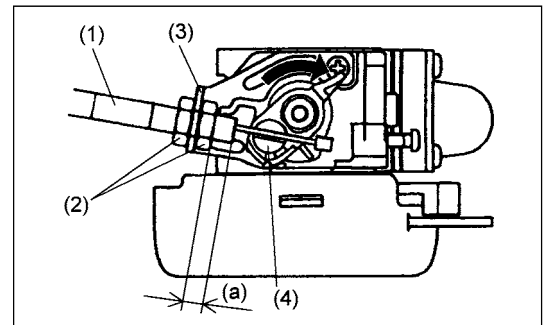
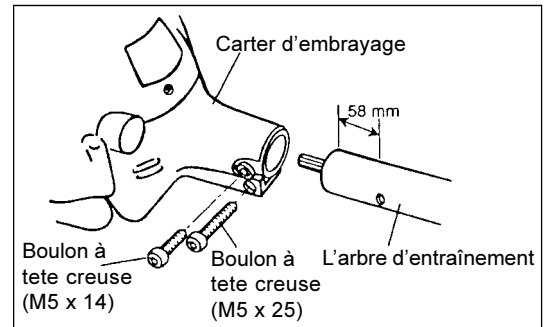
– Introduire l'arbre d'entraînement dans le carter du moteur (Fig.)

**Nota:** L'arbre d'entraînement doit rentrer jusqu'en butée dans le carter (58 mm). Si l'arbre intérieur empêche une introduction à fond, tourner celui-ci ou le disque d'arrêt au réducteur de façon à ce que l'arbre intérieur s'introduise dans le trou correspondant du carter et répéter l'opération.

– Après avoir vérifié que l'arbre d'entraînement est correctement introduit dans le carter, visser les boulons à tête creuse (M5 x 14) et boulon à tête creuse (M5 x 25) pour fixer ceux-ci.

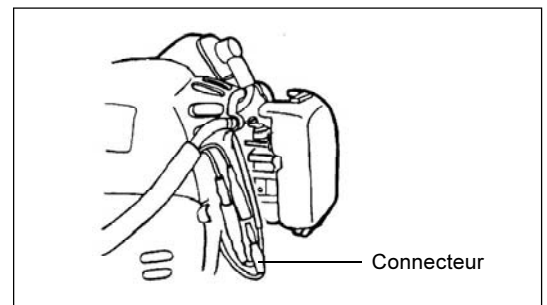
– Mettre l'oeillet du carburateur (3) entre les deux écrous (M6) (2) fixés au câble de commande (1), et serrer les deux écrous (2) de manière que la distance jusqu'à l'extrémité de la vis (a) du câble de commande (1) soit de 3 à 4 mm.

Puis, insérer le raccord du câble de commande (1) du câble de commande dans l'émerillon (4) du carburateur.



– Connecter les fils de l'interrupteur aux deux câbles du moteur en les insérant l'un dans l'autre.

– Fixer le connecteur de câble avec bride.



## MONTAGE DE LA POIGNÉE

**ATTENTION:** Toujours couper le moteur et retirer le connecteur de la bougie d'allumage avant de procéder à tout travail au niveau de la taille-bordures.

Toujours porter des gants de protection!

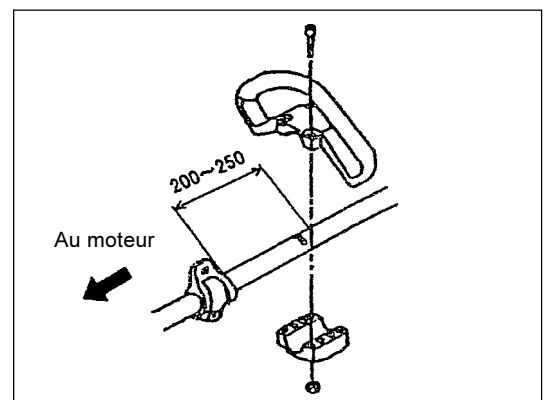
**ATTENTION:** Mettre la taille-bordures en marche uniquement après l'avoir assemblée complètement.



### Pour les modèles à poignée en boucle

– Ne pas approcher la poignée simple à la poignée de commande.

– La position standard de la poignée est de 200mm à 250mm à partir de l'anneau d'accrochage .



## MONTAGE DU DISPOSITIF DE PROTECTION

Utiliser uniquement les combinaisons outil/dispositif de protection mentionnées dans le tableau pour respecter les prescriptions de sécurité demandées.

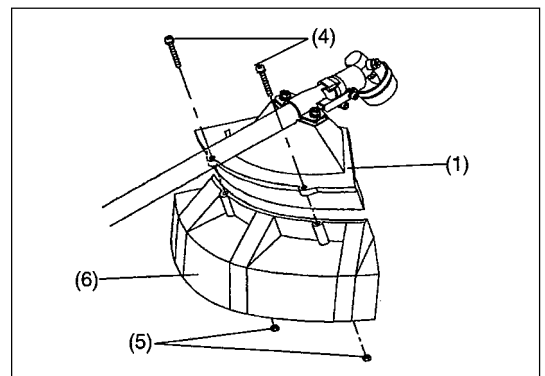
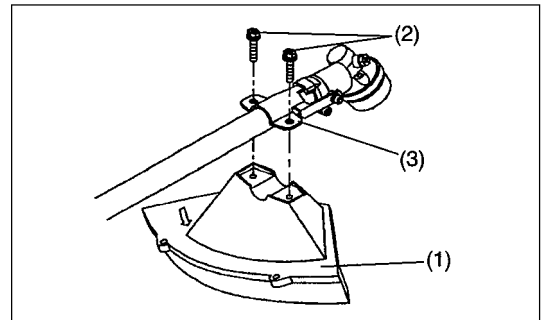
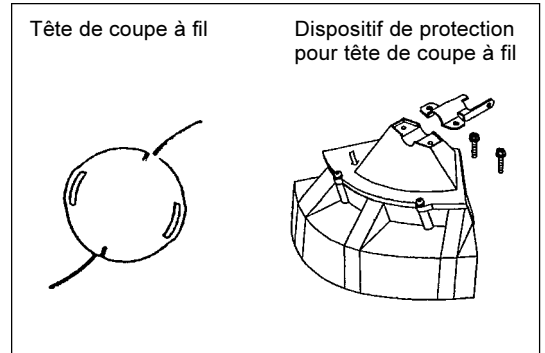
### Utiliser seulement une tête de coupe à fil MAKITA.

Si la tête de coupe à fil heurte une pierre au cours du fonctionnement, couper le moteur et vérifier immédiatement la lame.

**ATTENTION:** Le dispositif de protection approprié doit toujours être monté pour garantir votre propre sécurité et pour répondre aux lois relatives à la prévention contre les accidents. Il est interdit d'utiliser l'équipement si la protection n'est pas en place.

– Fixer le dispositif de protection (1) sur le collier de serrage (3) au moyen de deux boulons M6 x 30 (2).

– Lors d'employer la tête de coupe à fil, ajuster le protecteur (6) au protecteur (1), et les serrer avec deux écrous (5) et deux vis (4).

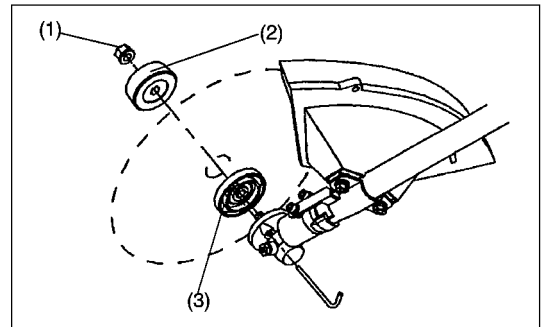


## MONTAGE DE LA TÊTE DE COUPE À FIL

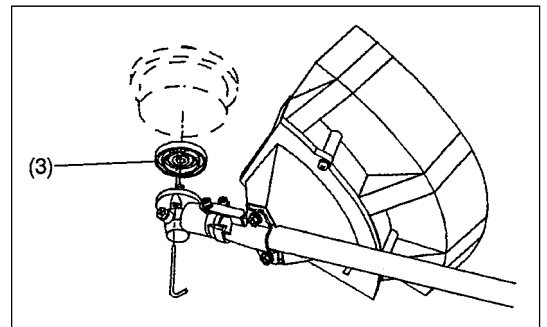


Retourner la machine afin de pouvoir placer facilement la tête de coupe à fil.

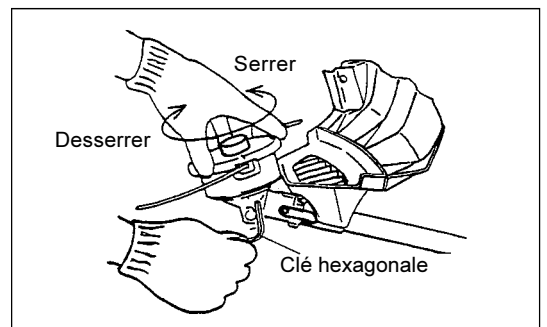
- Insérer la clé hexagonale dans le trou du carter de la boîte de vitesse et faire effectuer une rotation à la rondelle d'accouplement (3) jusqu'à ce qu'elle soit verrouillée au moyen de la clé hexagonale.
- Desserrer l'écrou (filetage à gauche) au moyen de la clé à tube puis refirer l'écrou (1) et la rondelle de serrage (2).



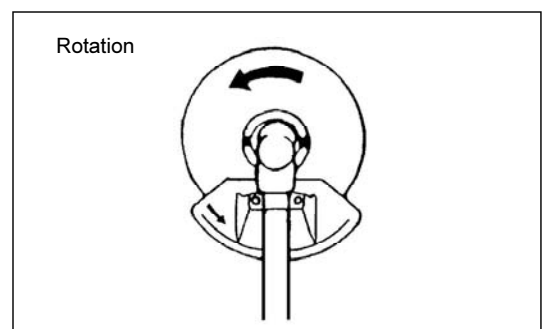
REMARQUE: La rondelle de serrage (2) et l'écrou (1) ne sont pas indispensables pour le montage de la tête de coupe à fil. La tête de coupe à fil doit venir se placer sur la rondelle d'accouplement (3).



- Visser la tête de coupe sur l'arbre.



- S'assurer que le côté droit de la lame est bien tourné vers la gauche.





## Manipulation du carburant:

La manipulation du carburant exige un soin extrême. Le carburant peut contenir des substances similaires aux solvants. Procéder au ravitaillement dans une pièce bien aérée ou à l'extérieur. Ne pas respirer de vapeurs de carburant, éviter tout contact cutané avec le carburant ou l'huile. Les produits à base d'huile minérale assèchent la peau. Si la peau entre en contact avec ces substances à plusieurs reprises et pendant une durée prolongée, elle se desséchera. Il peut en résulter diverses maladies de peau. De plus, ces produits sont connus pour entraîner des réactions allergiques. Les yeux peuvent être irrités par contact avec l'huile. Si de l'huile entre en contact avec ses yeux, les rincer immédiatement avec de l'eau claire. S'ils restent irrités, consulter immédiatement un docteur!

## Mélange de carburant

Vérifier le réservoir de carburant, et le ravitailler en carburant net et frais au rapport précisé de mélange, ce qui peut prolonger la vie de l'appareil.

Employer le mélange de carburant au rapport de mélange qui suit :

Essence : huile à moteur deux temps MAKITA = 50 : 1 ou

Essence : huile à moteur deux temps des fabricants autres que MAKITA = 25 : 1

## EN CONFORMITÉ AVEC LES RÈGLEMENTS DE CALIFORNIA, CET APPAREIL A ÉTÉ VÉRIFIÉ POUR METTRE EN MARCHÉ AVEC LE CARBURANT CONTENANT ESSENCE ET HUILE À MOTEUR DEUX TEMPS.

Pour préparer le mélange de carburant, n'employer que d'essence sans plomb, qui ne contient pas d'éthanol ni de méthanol.

Cela pourra servir à éviter des endommagements éventuels se trouvant sur les canalisations de carburant pour le moteur et les autres parties du moteur.

Ne pas mélanger essence avec huile directement dans le réservoir de carburant.

**IMPORTANT :** Ne pas manquer d'observer l'instruction du mélange approprié de carburant. Le manque pourra endommager le moteur.

## ATTENTION :

1. Ne préparer le mélange de carburant qu'en quantité requise pour chaque fois de travail. NE PAS utiliser de mélange datant de plus de deux mois. Le mélange de carburant restant plus de deux mois causera un démarrage difficile et fonctionnement irrégulier. Ne jamais manquer de renouveler de carburant usé.
2. Ne jamais faire déborder de carburant.
3. Ne jamais ajouter de carburant au réservoir dans un lieu couvert et non-ventilé.
4. Ne pas ravitailler cet appareil en carburant à proximité d'une flamme nue ou d'étincelles.
5. Ne pas manquer d'essuyer tout déversement éventuel de carburant, avant de procéder au démarrage du moteur.
6. Ne pas tenter de ravitailler le moteur lorsqu'il est chaud.

## Points à vérifier avant mise en marche :

1. Vérifier le desserrement des boulons, écrous et des raccords.
2. Vérifier l'état de propreté du filtre à air. Enlever toutes ordures du filtre à air avant mise en marche.
3. Veiller à ce que le protecteur soit juste en place.

## Ravitaillement

### Le moteur doit être coupé!

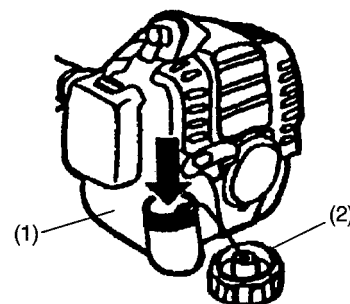
- Nettoyer soigneusement la zone entourant le bouchon de remplissage de carburant (2) afin d'empêcher que la saleté ne s'introduise dans le réservoir de carburant (1).
- Dévisser le bouchon de remplissage de carburant (2) et remplir le réservoir de carburant.
- Revisser fermement le bouchon de remplissage de carburant (2).
- Nettoyer le bouchon de remplissage de carburant fileté (2) et le réservoir après le ravitaillement!

## Stockage du carburant:

Le carburant ne peut pas être stocké pendant une durée illimitée. Acheter uniquement la quantité requise pour une durée de 4 semaines d'utilisation. Utiliser uniquement des containers de stockage de carburant réglementaires.



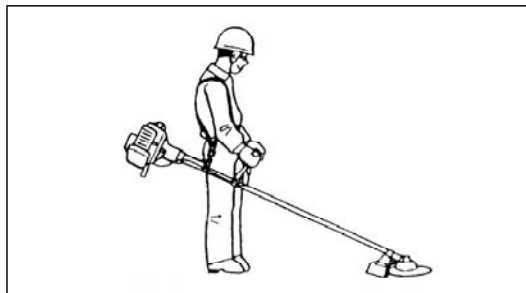
Respecter les consignes de sécurité de la page 23 !



## MANIPULATION CORRECTE DE LA MACHINE

### Fixation du harnais:

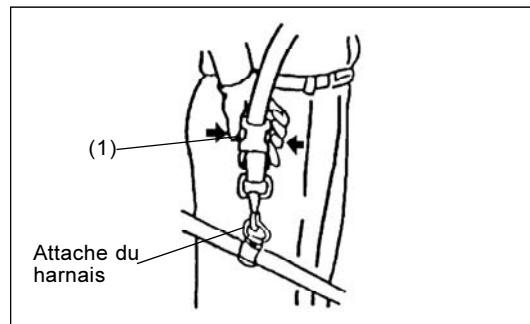
- Ajuster la longueur du harnais de sorte que la tête de coupe à fil reste parallèle au sol.



### Retrait

- En cas d'urgence, pousser les encoches (1) aux deux extrémités et retirer alors la machine.  
Etre extrêmement prudent pour garder le contrôle de la machine lors de cette opération. Ne pas laisser la machine dévier dans votre direction ou vers toute autre personne se trouvant à proximité de la zone de travail.

AVERTISSEMENT: La non-observation de cette précaution peut se traduire par de blessures corporelles graves ou la MORT.



## MISE EN MARCHÉ

Respecter les lois applicables en matière de prévention contre les accidents!



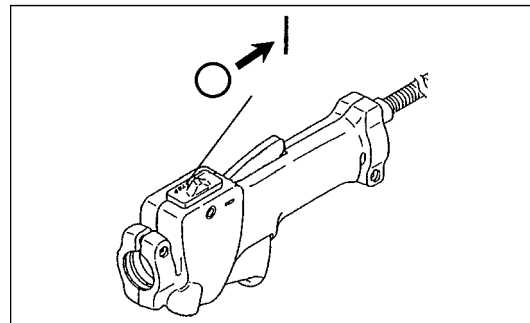
### Démarrage:

Déplacer la machine à trois mètres au moins du lieu de ravitaillement. Placer la taille-bordures sur une zone propre en veillant à ce que de la tête de coupe à fill n'entre pas en contact avec le sol ou tout autre objet.

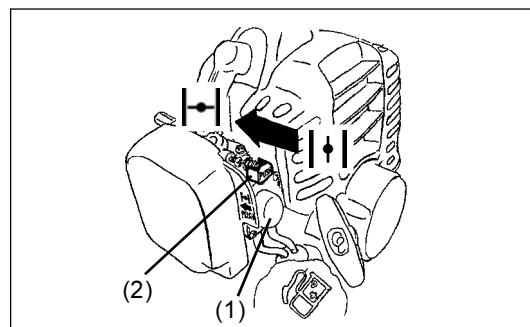
### Démarrage à froid

#### Pour les machines à poignée en Boucle

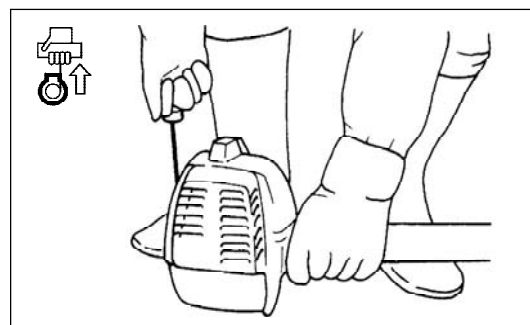
- Pousser l'interrupteur I-O (1) dans la direction indiquée par la flèche.



- Commencer par poser la machine sur le sol.
- Appuyer légèrement sur la pompe primaire (1) à plusieurs reprises (7-10 fois) jusqu'à ce que le carburant arrive à la pompe primaire.
- Poussez le bouton d'étranglement (2) sur la position " |⇄| "



- Maintenir fermement le carter d'embrayage avec la main gauche comme sur la figure.
- Tirer lentement la poignée de démarrage jusqu'à sentir une résistance et continuer en exerçant une faible traction.
- Ne pas tirer complètement la câble de démarrage et ne pas laisser la poignée de démarrage revenir de façon incontrôlée mais s'assurer qu'elle revienne lentement.
- Répéter l'étape de démarrage jusqu'à entendre les premiers allumages.
- Quand le moteur démarre, veuillez ouvrir le levier de commande. Le bouton d'étranglement étant automatique, il revient à la position originale " |⇄| ".
- Faire fonctionner le moteur pendant une minute environ à une vitesse modérée avant d'ouvrir complètement le papillon.



- Attention:
- Si vous actionnez la manette de démarrage a plusieurs reprises alors que le bouton d'etraglement est sur la position "I", le moteur ne demarrera pas facilement a cause d'une admission excessive du carburant.
  - Si le moteur est noyé, dévissez la bougie, puis tirez largement plusieurs fois sur le levier du starter, et retirez le carburant en trop.  
Ou bien, séchez l'électrode de la bougie.

### Consignes de sécurité lors du fonctionnement:

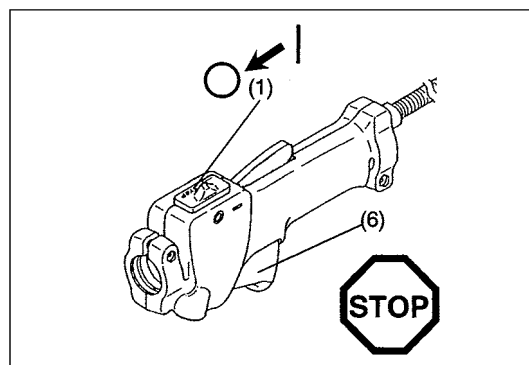
Si le levier de commande est complètement ouvert lors d'un fonctionnement sans charge, le régime du moteur augmente jusqu'à 10000 /min ou plus. Ne jamais utiliser le moteur à une vitesse supérieure à la vitesse requise et respecter une vitesse approximative de 6000 - 8000 /min.

### Démarrage à chaud du moteur

– Voir ci-dessus à l'exception du d'eplacement le bouton d'etraglement..

### Arrêt

- Relâcher complètement le levier d'etraglement commande (6) et pousser l'interrupteur I-O (1) en position "O" lorsque le régime du moteur s'est abaissé: le moteur s'arrêtera.
- Ouverture totale ou à moitié lors de remise en marche immédiatement après arrêt de la marche.

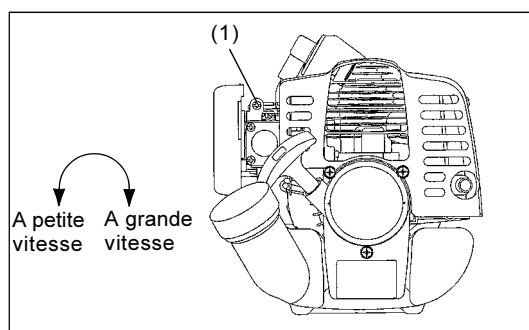


## RÉGLAGE DU RALENTI

La tête de coupe à fil ne devrait pas être actionnée lorsque le levier de commande est complètement relâché. Si nécessaire, régler le ralenti à l'aide de la vis de réglage du ralenti.

### Contrôle de la vitesse de ralenti

- La vitesse de ralenti devrait être de 3000 /min.  
La corriger si nécessaire au moyen de la vis de réglage du ralenti (la tête de coupe du câble ne doit pas tourner lorsque le moteur fonctionne en marche à vide).  
Le serrage de la vis (1) résultera en une augmentation de la vitesse du moteur alors qu'un desserrage se traduira par une diminution de vitesse.

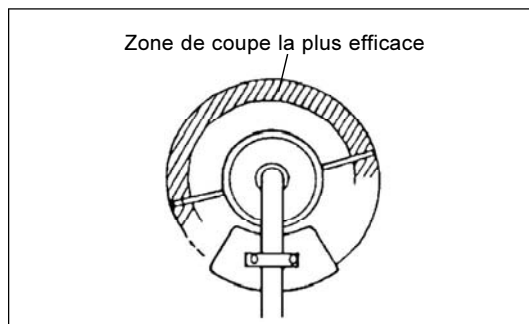


## TÊTE DE COUPE À FIL EN NYLON

La tête de coupe à fil en nylon est une tête à double fil capable d'assurer automatiquement les opérations de sélection de longueur de fil. La tête de coupe à fil en nylon délivre automatiquement la longueur appropriée de fil en fonction des variations de la force centrifuge générées par l'augmentation ou la diminution du régime. De plus, il est possible, en cognant la tête de coupe à fil en nylon contre le sol de fournir une longueur de fil supplémentaire comme indiqué dans la partie Fonctionnement afin de couper l'herbe molle de manière plus efficace.

### Fonctionnement

- Augmenter la vitesse de la tête de coupe à fil en nylon jusqu'à env. 6000 /min.  
La vitesse faible (4800 /min) n'est pas appropriée car le fil ne peut pas sortir correctement.
- Le domaine de coupe le plus efficace est visualisé par la zone hachurée.



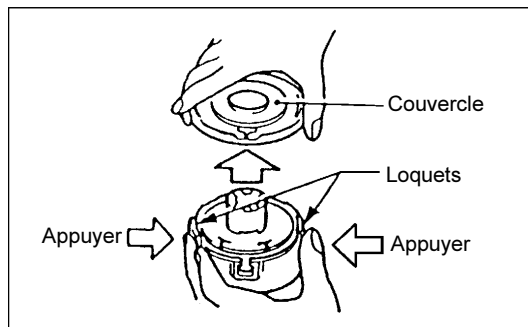
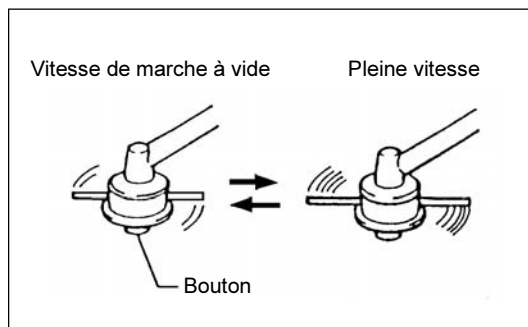


**Si le fil ne se déroule pas automatiquement procéder de la manière suivante:**

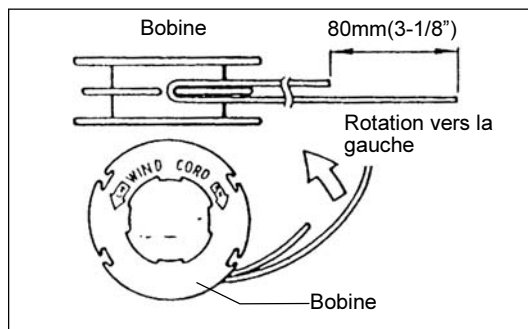
1. Relâcher le levier de commande pour faire fonctionner le moteur en marche à vide puis abaisser complètement le levier de commande. Répéter cette procédure jusqu'à ce que le fil en nylon se déroule à la longueur correcte.
2. Si le fil en nylon est trop court pour se dérouler automatiquement selon la procédure ci-dessus, cogner le bouton de la tête de coupe contre le sol afin de dérouler le fil en nylon.
3. Si le fil en nylon ne se déroule pas selon la procédure 2, rembobiner/ remplacer le fil en nylon en suivant les procédures décrites sous la rubrique Remplacement du file en nylon".

**Remplacement du fil en nylon**

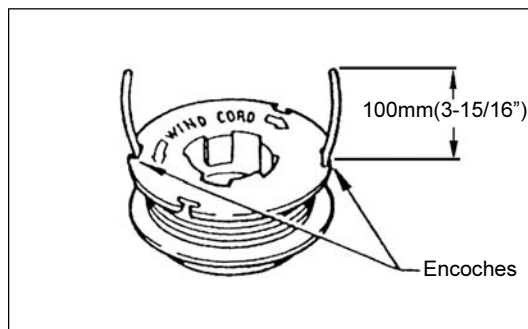
- Commencer par couper le moteur.
- Appuyer sur les loquets du carter vers l'intérieur pour soulever le couvercle; retirer ensuite la bobine.



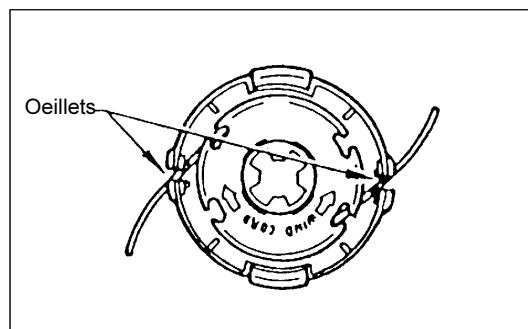
- Accrocher le centre du nouveau fil en nylon dans l'encoche située au centre de la bobine, une des extrémités du fil étant plus longue de 80 mm (3-1/8") que l'autre. Enrouler alors solidement les deux extrémités autour de la bobine dans le sens de rotation de la tête (sens gauche indiqué par Gll et sens droit par Dll sur le côté de la bobine).



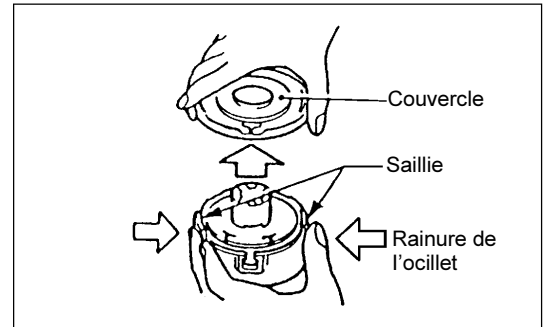
- Enrouler les câbles en laissant une longueur de 100 mm (3-15/16"), les extrémités restant temporairement accrochées à travers une encoche sur le côté de la bobine.



- Monter la bobine dans le carter de sorte que les cannelures et les saillies de la bobine s'adaptent à celles du carter. Maintenir le côté annoté de sorte qu'il soit visible vers le haut. Décrocher alors les extrémités du câble de leur position temporaire et les faire passer à travers les oeilletons pour sortir du carter.



- Aligner la saillie de la partie inférieure du couvercle sur les rainures des oeillets.
- Pousser alors avec force le couvercle sur le carter afin de le bloquer.



## INSTRUCTIONS RELATIVES AUX RÉPARATIONS



**ATTENTION:** Toujours couper le moteur et retirer le capuchon de la bougie d'allumage avant de procéder à tout travail sur la taille-bordures (voir Contrôle de la bougie d'allumage<sup>®</sup>). Toujours porter des gants de protection!

Procéder aux réparations suivantes à intervalles réguliers pour assurer une longévité importante et pour éviter tout endommagement de l'équipement.

### Contrôle et opérations de maintenance réguliers

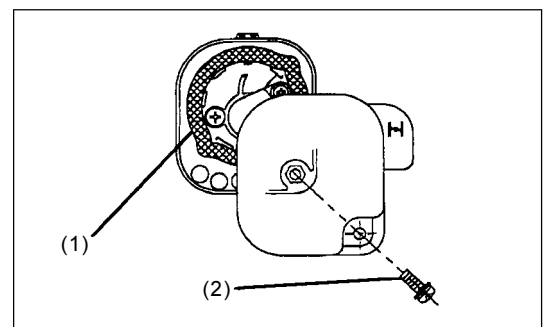
- Vérifier si les vis sont serrées et si l'ensemble des pièces est en place avant d'utiliser la machine. Prêter particulièrement attention à la fixation de la tête de coupe.
- Toujours vérifier si le canal et les ailettes de refroidissement du cylindre sont débouchés avant d'utiliser la machine. Les nettoyer si nécessaire.
- Procéder quotidiennement aux opérations suivantes après utilisation:
  - Nettoyer l'extérieur de la taille-bordures et vérifier si elle est endommagée.
  - Nettoyer le filtre à air. Nettoyer le filtre plusieurs fois par jour si les conditions de travail sont extrêmement poussiéreuses.
  - Vérifier si la tête de coupe est endommagée et s'assurer qu'elle est montée solidement.
  - Vérifier que la différence entre la vitesse de ralenti et la vitesse de conduite est suffisante afin de s'assurer que la tête de coupe est au repos lorsque le moteur fonctionne ralenti (réduire la vitesse de ralenti si nécessaire).  
Si l'outil devait continuer à fonctionner dans des conditions de ralenti, consulter l'agent du service après-vente habilité le plus proche.
- Vérifier le fonctionnement de l'interrupteur I-O, le levier de déverrouillage, le levier de commande.

### Nettoyage du filtre à air

Obstruer de l'élément (1) peut parfois le rendre difficile ou impossible de mettre en marche le moteur ou d'augmenter la vitesse de moteur.

Après l'fin de l'opération, soyez sûr de nettoyer le filtre à air comme mentionné ci-dessous.

- Enlevez la vis de couvercle de filtre à air.
- Placez le doigt sous la couvercle de filtre à air, abaissez la partie plus inférieure de couvercle, et détachez la couvercle de filtre à air.
- Sortez l'élément (1), nettoyez-l'avec de l'eau tiède mélangé au détergent neutre, et séchez-le complètement.
- Après nettoyage, attachez l'élément.
- Insérez la griffe à la partie supérieure de cas dans le trou à la partie supérieure de la couvercle de filtre à air. Puis, attachez la couvercle de filtre à air en la poussant, et serrez la vis (2).

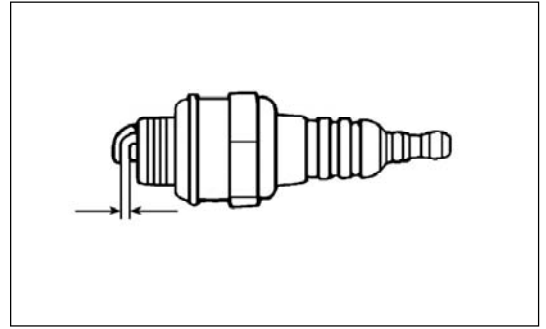


**NOTE :** Si la poussière et la saleté adhérant au filtre à air sont excessives, le nettoyer tous les jours. Un filtre à air bouché peut rendre le démarrage du moteur ou l'augmentation de la vitesse de rotation du moteur difficile ou impossible.

### Contôle de la bougie d'allumage

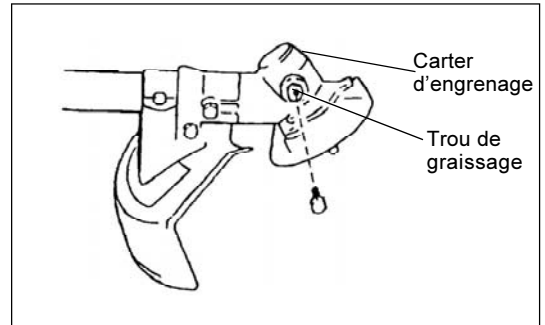
- Utiliser uniquement la clé universelle fournie pour retirer ou monter la bougie d'allumage.
- L'espacement entre les deux électrodes de la bougie d'allumage devrait être de 0,6 - 0,7mm (0,024" - 0,028"). Si l'espacement est trop large ou trop étroit, le régler. Si la bougie d'allumage est bouchée avec de la calamine ou encrassée, la nettoyer soigneusement ou la remplacer.

ATTENTION: Ne jamais toucher le connecteur de la bougie d'allumage lorsque le moteur tourne (risque d'électrocution haute tension).



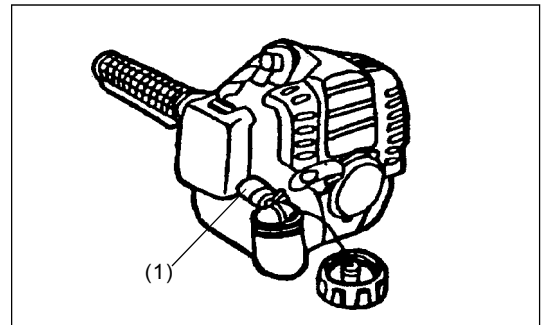
### Graissage du carter d'engrenage

- Alimenter le carter d'engrenage en graisse (Shell Alvania 3 ou équivalent) à travers le trou de graissage toutes les 30 heures. (Se procurer de l'huile MAKITA d'origine auprès de son agent MAKITA)



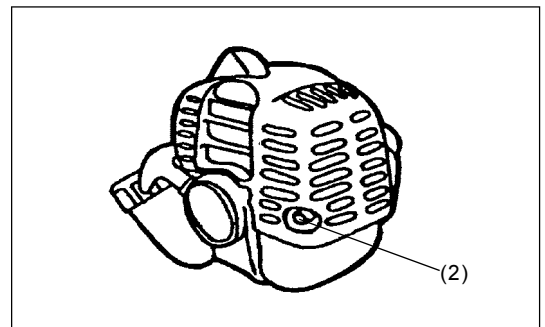
### Tête d'aspiration dans le réservoir de carburant

- Le filtre en feutre (1) de la tête d'aspiration est utilisé pour filtrer le carburant requis par le carburateur.
- Procéder à une inspection visuelle périodique du filtrer en feutre. Ouvrir le bouchon du réservoir à cet effet, utiliser un crochet et retirer la tête d'aspiration à travers l'ouverture du réservoir. Remplacer les filtres durcis, pollués ou bouchés.
- Une alimentation en carburant insuffisante peut empêcher le moteur d'atteindre sa vitesse de fonctionnement optimale. Il est donc important de remplacer le filtre en feutre au moins tous les 4 mois afin d'assurer une alimentation en carburant satisfaisante du carburateur.



### Nettoyage de l'orifice du pot d'échappement

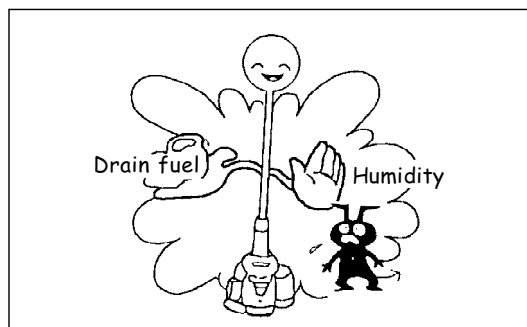
- Contrôler régulièrement l'orifice du pot d'échappement (2).
- S'il est bouché par des dépôts de charbon, enlever soigneusement les dépôts en les grattant avec un outil correct.



Toute opération de maintenance ou de réglage qui n'est pas comprise dans ce manuel ou qui n'y a pas été mentionnée doit être uniquement réalisée par un agent du service après-vente habilité.

## REMISAGE

- Lorsque la machine est remisee pendant une durée importante, évacuer le carburant du réservoir et du carburateur de la manière suivante: évacuer la totalité du carburant du réservoir s'en défaire en respectant les réglementations locales.
- Retirer la bougie d'allumage et ajouter quelques gouttes d'huile dans le trou de la bougie d'allumage. Tirer ensuite doucement le câble de démarrage, vérifier que la pellicule d'huile recouvre le moteur à l'intérieur et remettre la bougie d'allumage.
- Nettoyer la saleté et la poussière accumulée sur tête de coupe à fil la taille-bordures et à l'extérieur du moteur, essuyer avec un chiffon imbibé d'huile et remettre la machine dans un lieu aussi sec que possible.



### Plan de maintenance

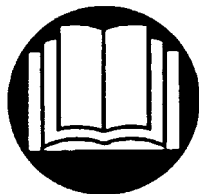
Générale	Assemblage du moteur, des vis et des écrous	Inspection visuelle (endommagement et fixation) Contrôle général et de sécurité
Après chaque ravitaillement	Levier de commande Interrupteur I-O	Contrôle de fonctionnement Contrôle de fonctionnement
Quotidienne	Filtre à air Conduit d'air de refroidissement Outil de coupe Vitesse de marche à vide	A nettoyer A nettoyer Contrôle de l'endommagement (la lame de coupe ne doit pas bouger)
Hebdomadaire	Bougie d'allumage Pot d'échappement	Inspection, remplacer si nécessaire Contrôler et nettoyer l'orifice si nécessaire
Semestrielle	Tête d'aspiration Réservoir de carburant	A remplacer A nettoyer
Procédure d'arrêt	Réservoir de carburant Carburateur	Vider le réservoir de carburant Faire fonctionner jusqu'à ce que ce que le moteur soit vidé du carburant

### Localisation des défauts

Défaut	Système	Observation	Cause
Pas de démarrage du moteur ou démarrage difficile	Système d'allumage	Étincelle d'allumage présente	Défaut dans l'alimentation en carburant ou dans le système de compression. Défaut mécanique
		Pas d'étincelle d'allumage	Interrupteur d'arrêt actionné, défaut du fil ou court-circuit, bougie d'allumage ou connecteur défectueux, module d'allumage défectueux
	Alimentation en carburant	Réservoir de carburant rempli	Position incorrecte de l'étrangleur, carburateur défectueux, tête d'aspiration sale, tuyau d'alimentation en carburant plié ou encrassé
	Compression	Pas de compression au tirage	Joint d'étanchéité du fond du cylindre défectueux, soudures du carter endommagées, piston ou segments défectueux ou fuite par la fixation de la bougie d'allumage
Problèmes en démarrage à chaud	Défaut mécanique	Câble non enclenché	Ressort du câble cassé, pièces cassées à l'intérieur du moteur
		Réservoir rempli Étincelle d'allumage présente	Carburateur sale, le nettoyer
Le moteur démarre mais est immédiatement noyé	Alimentation en carburant	Réservoir rempli	Réglage de marche à vide incorrect, tête d'aspiration ou carburateur sale  Orifice du réservoir de carburant bouché. Tuyau d'alimentation en carburant plié, câble ou interrupteur STOP défectueux
Performances insuffisantes	Plusieurs circuits sont peut-être affectés Simultanément.	Régime de marche à vide médiocre	Filtre à air sale, carburateur sale, conduit d'échappement du cylindre bouché

Muchas gracias por comprar la Cortabordes MAKITA. Nos complace recomendarle el uso de la Cortabordes MAKITA que es el resultado de un extenso programa de investigación desarrollado tras años de estudio y experiencia.

Por favor lean el folleto que hace referencia con detalle a los diversos puntos que demuestran su excelente funcionamiento. Esto le ayudará a obtener el mejor resultado posible de su Cortabordes MAKITA.



Lista de contenidos	Página
Símbolos .....	37
Instrucciones de seguridad .....	38
Especificación .....	41
Denominación de partes .....	42
Montaje de motor y eje .....	43
Montaje del manillar .....	43
Montaje del protector .....	44
Montaje de la cabezal de corte de nylon .....	45
Combustibles/Reabastecimiento .....	46
Uso correcto de la máquina .....	47
Puesta en marcha .....	47
Ajuste en vacío .....	48
Cabezal de Nylon .....	48
Instrucciones de servicio .....	50
Almacenamiento .....	52

## SÍMBOLOS

Ud. encontrará los siguientes símbolos en la lectura del manual de instrucciones.

	Leer el manual de instrucciones.		No utilizar cuchillas metálicas
	Tomar precauciones y atención especiales.		Máxima velocidad de trabajo permitida.
	Prohibido.		Mezcla de combustible y aceite.
	Mantener distancia de seguridad.		Encendido manual del motor.
	Peligro: Brozas objeto volante.		Paro de emergencia.
	No fumar.		Primeros auxilios.
	No acercar llamas.		Reciclable.
	Deben utilizarse guantes protectores.		ON/encendido
	Mantener el área de operación libre de personas y animales.		Off/Apagado
	Utilizar protector para ojos y oídos		

## INSTRUCCIONES DE SEGURIDAD

### Instrucciones generales

- Para asegurar un funcionamiento correcto, el usuario debe leer este manual de instrucciones para familiarizarse con el funcionamiento de la cortabordes. Los usuarios que no se informen suficientemente causarán riesgo para ellos mismos y otras personas debido a un funcionamiento inadecuado.
- Se recomienda prestar la cortabordes únicamente a gente que demuestren experiencia en el uso de cortabordes. Siempre entregar el manual de instrucciones.
- Los que utilizan la máquina por vez primera deben preguntar al vendedor las instrucciones básicas para familiarizarse con el manejo de un cortabordes motorizado.
- No se debe permitir el uso de la cortabordes a niños y personas menores de 18 años. Las personas mayores de 16 años pueden, sin embargo, utilizar la máquina para aprendizaje únicamente, bajo supervisión de un monitor cualificado.
- Utilizar la máquina con el máximo cuidado y atención.
- Manejar la cortabordes sólo si se encuentra en buena condición física. Realizar el trabajo con calma y cuidadosamente. El usuario debe aceptar su responsabilidad con otras personas.
- Nunca utilizar la cortabordes después del consumo de alcohol o drogas.
- Las regulaciones nacionales pueden restringir el uso de la máquina.

### Uso recomendado de la máquina

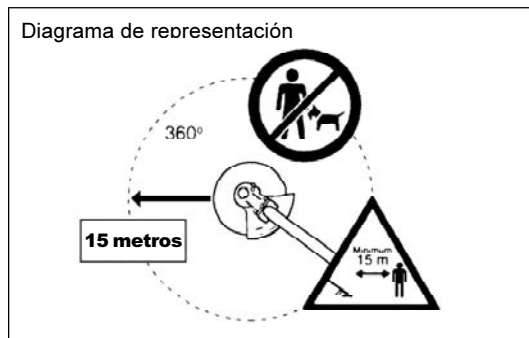
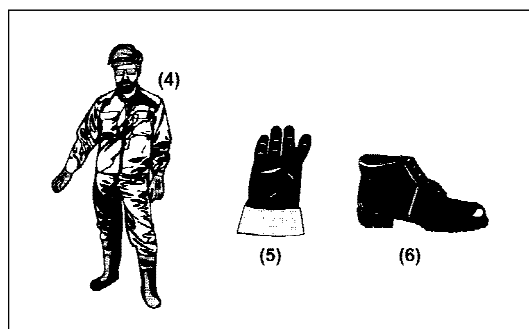
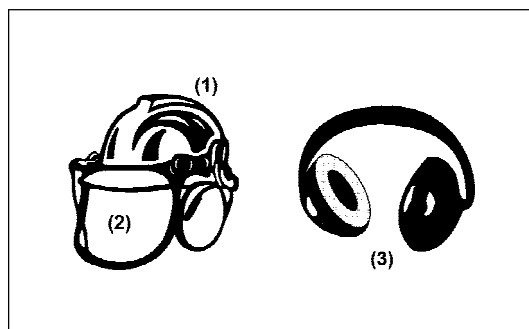
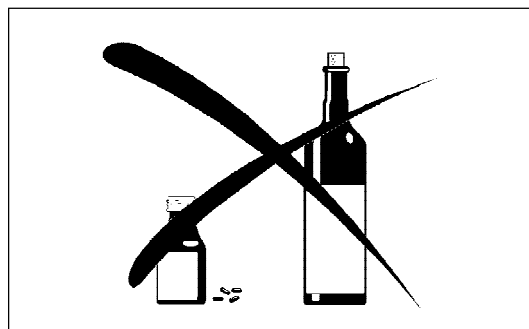
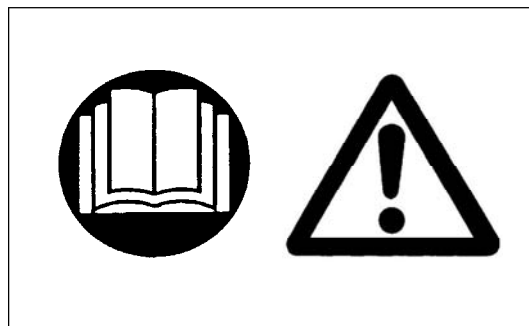
- La cortabordes/cortabordes es recomendado únicamente para cortar hierba, maleza, o arbustos. No se debe usar para cualquier otro propósito tales como canteado o cortado de seto ya que esto podría causar daños.

### Equipo Personal de Protección

- La ropa utilizada debe ser funcional y adecuada. Por ejemplo, debe quedar ajustada, sin causar estorbo. No llevar joyas o ropa que pueda quedar atrapada con matorrales o arbustos.
- Para evitar heridas en cabeza, ojos, manos, o pies, así como para proteger su oído, el siguiente equipo y ropa de protección debe usarse durante el uso de la cortabordes.
- Siempre llevar un casco usando se trabaja en el bosque. El casco protector (1) debe comprobarse a intervalos regulares y debe sustituirse como mínimo cada 5 años. Sólo utilizar cascos protectores aprobados.
- El visor (2) del casco (o gafas como alternativa) protegerá la cara de astillas y piedras volantes. Durante el uso de la cortabordes siempre debe llevar gafas o un visor para prevenir heridas en los ojos.
- Llevar un equipo protector del ruido adecuado para evitar daños en el oído (protectores de oídos (3), tapones de oídos etc.).
- Los manos de trabajos (4) protegen contra piedras y astillas volantes. Recomendamos expresamente que el usuario lleve mono de trabajo.
- Guantes especiales (5) fabricados de cuero grueso son parte del equipo obligatorio y deben llevarse siempre durante el uso de la cortabordes.
- Cuando se utilice la cortabordes. Siempre debe llevarse calzado robusto (6) con suela antideslizante. Esto protegerá contra heridas y asegura un caminar seguro.

### Puesta en Marcha de la Desbrozadora / cortabordes

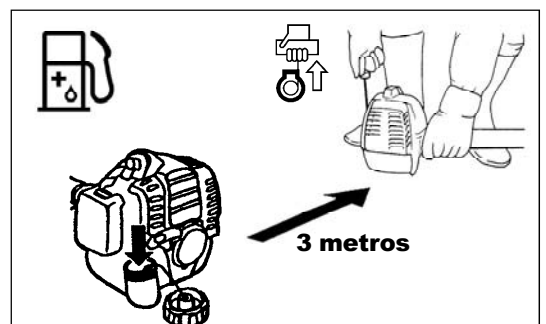
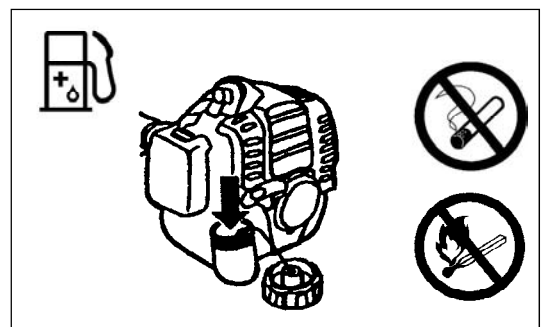
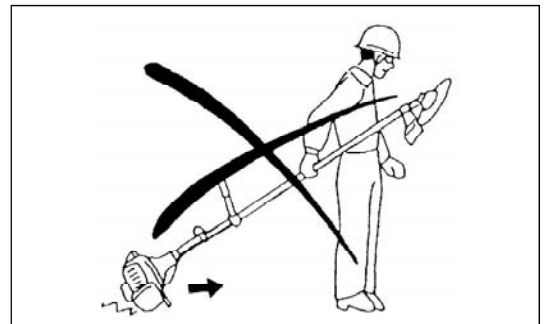
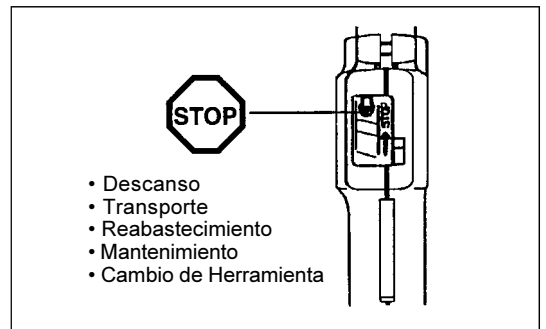
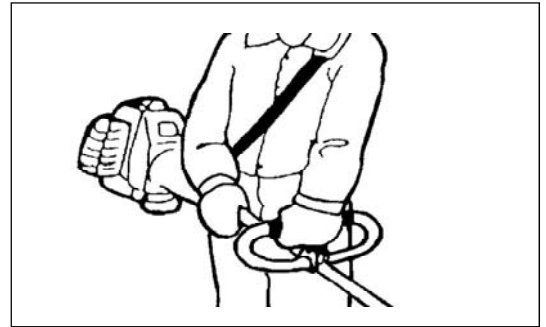
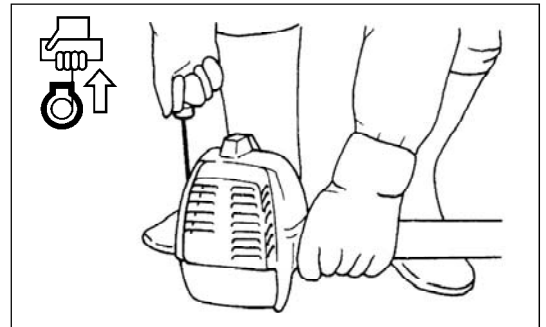
- Asegurarse que no hay niños o otras personas en un área de trabajo de 15 metros; también prestar atención a los animales cercanos al lugar de trabajo.
- Antes del uso, siempre comprobar que la cortabordes está preparado para un funcionamiento seguro. Comprobar la seguridad de la herramienta de corte y de la palanca de control, para un trabajo fácil, y comprobar el funcionamiento adecuado del seguro de la palanca de control. La herramienta de corte no debe girar cuando el motor marche en vacío. Comprobar que los manillares están limpios y secos y la función del interruptor de encendido/apagado.



- Poner en marcha la cortabordes sólo de acuerdo con las instrucciones. No utilizar otro procedimiento para poner en marcha el motor.
- Utilizar la cortabordes las herramientas sólo para las aplicaciones que se especifican.
- Poner en marcha el motor únicamente cuando se ha realizado el ensamblaje completo. Sólo se permite el funcionamiento de la máquina después de colocar todos los accesorios adecuados.
- Antes de la puesta en marcha asegurarse que la herramienta de corte no está en contacto con obetos duros, tales como ramas, piedras, ...
- El motor debe apagarse inmediatamente si hay problemas de motor.
- Si la herramienta de corte tropieza con una piedra o objeto duro, debe apagarse la máquina inmediatamente e inspeccionar la herramienta de corte.
- Inspeccionar la herramienta de corte a intervalos cortos de tiempo (detección de grietas finas mediante el test de ruido de enroscado).
- Utilizar la máquina sólo con la correa para hombro que se incluye, que debe ajustarse adecuadamente antes de que la máquina seté en marcha. Es esencial que se ajuste la correa de acuerdo con la talla del usuario para evitar la fatiga que se produce durante el uso. Nunca sujetar la máquina con una mano durante el luso.
- Durante el uso siempre sujetar la cortabordes con ambas manos. Siempre procurar una posición segura.
- Utilizar la máquina de forma que se evite la inhalación de los gases de salida. Nunca poner en marcha el motor en habitaciones cerradas (riesgo de envenenamiento por gas). El monóxido de carbono es un gas inodoro.
- Apagar motor cuando se descansa y cuando se deja la máquina sin atender, y colocarla en lugar seguro para prevenir el peligro para otras personas o el daño para la máquina.
- Nunca deje la máquina caliente sobre hierba seca o manteriales combustibles.
- Las herramientas de corte deben estar siempre equipadas con un protector adecuado. Nunca manejar la máquina sin este protector.
- Todos los accesorios y equipos de seguridad proporcionados con la máquina deben utilizarse durante el uso.
- Nunca trabajar con el silenciador de salida averiado.
- Apagar el motor durante el transporte.
- Durante transportes de larga distancia debe utilizarse la protección del equipo que se incluye con la máquina.
- Procurar una posición segura de la cortabordes durante el transporte por coche para evitar pérdidas de combustible.
- Cuando se almacena la cortabordes, asegurarse que el tanque de combustible está completamente vacío.
- Cuando se descarga la cortabordes del camión, nunca dejar caer el Motor a la tierra, si no, ésto podría dañar severamente el tanque de combustible.
- Salvo en el caso de emergencia, nunca deje caer o tirar la cortabordes a la tierra, si no, ésto podría dañar severamente la cortabordes.
- Aparte completamente la unidad de la máquina del suelo sin falta cuando se traslada. Si se traslada restregando la bomba de combustible al suelo, hay un gran peligro de que se rompa la bomba provocando fuga del combustible, y eso pueda causar incendio.

### Reabastecimiento

- Apagar el motor durante el reabastecimiento, mantenerse lejos de llamas y no fumar.
- Evitar el contacto de la piel con combustibles minerales. No inhalar vapores de combustibles. Siempre llevar gurante protectores durante el reabastecimiento. Cambiar y limpiar la ropa protectora a intervalos regulares.
- Tomar la precaución de no dramar el combustible o aceite para evitar la contaminación del suelo (protección del medio ambiente). Lavar la cortabordes inmediatamente si se ha derramado combustible.
- Evitar el contacto del combustible con su ropa. Cambiar la ropa al instante si se ha derramado combustible sobre ella (peligro de muerte).
- Inspeccionar el tapón del combustible a intervalos regulares, asegurando que puede cerrar el depósito completamente.
- Apretar con cuidado el tornillo de cierre del tanque de combustible. Cambiar de lugar para encender el motor (por lo menos a 3 metros del lugar de reabastecimiento).
- Nunca llenar el depósito en habitaciones cerradas. Los vapores de combustible se acumulan a nivel del suelo (riesgo de explosiones).
- Sólo transportar y almacenar combustible en contenedores aprobados. Asegurarse que el combustibles almacenado permanece fuera del alcance de niños.



## Método de trabajo

- Sólo utilizar la Cortabordes en buenas condiciones de luz y visibilidad. Durante el invierno, tomar precauciones en áreas resbaladizas o mojadas, hielo o nieve (riesgo de caída). Procurar siempre una posición segura.
- Nunca cortar por encima del hombro.
- Nunca subirse a una escalera y usar la Cortabordes.
- Nunca subirse a un árbol para trabajar con la Cortabordes.
- Nunca trabajar en terrenos inestables.
- Eliminar la arena, piedras, clavos etc. en el área de trabajo. Las partículas extrañas pueden dañar la herramienta de corte y pueden causar peligrosos contragolpes.
- Antes de empezar a trabajar, la herramienta de corte debe haber alcanzado la velocidad de trabajo.



## Herramientas de Corte

Emplear únicamente la cabezal de Nylon correcta para el trabajo en cuestión.

Diseñado exclusivamente para cortar a lo largo de muros, vallas, borde del césped, árboles, postes etc. (trabajo suplementario cortacéspedes). Realizar el trabajo mediante el balanceo del aparato en semicírculos de izquierda a derecha.



## Instrucciones de mantenimiento

- Las condiciones del aparato de la correa deben ser comprobadas antes de empezar el trabajo.
- Apagar el motor y quitar el conector de la bujía cuando se sustituya o cuando se limpie el aparato o la cuchilla.
- Trabajar con la Cortabordes con el mínimo ruido y contaminación posible. En particular, comprobar la colocación correcta del carburador.
- Limpiar la Cortabordes a intervalos regulares y comprobar que todas las tuercas y tornillos están bien sujetos.
- Nunca hacer mantenimiento ni almacenar la Cortabordes en la proximidad de llamas.
- Siempre almacenar la Cortabordes en habitaciones cerradas y con el tanque de combustible vacío.



Observar las instrucciones de prevención de accidentes relevantes que emiten los sindicatos y asociaciones oficiales y las compañías de seguros. No realizar modificaciones en la Cortabordes ya que pondrán en peligro su seguridad.

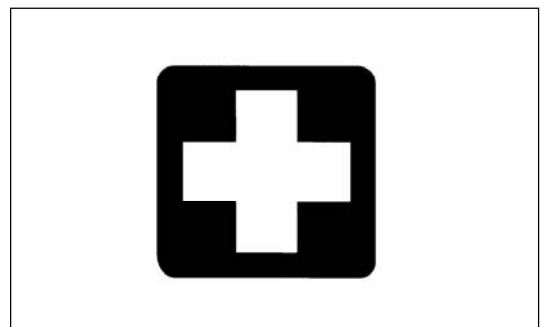
La realización del trabajo de mantenimiento o reparación por el usuario está limitada a las actividades que se describen en el manual de instrucciones. Cualquier otro trabajo debe ser realizado por el Agente de Servicio Autorizado.

Utilizar únicamente partes de recambio y accesorios genuinos suministrados por MAKITA.

El uso de accesorios y herramientas que no están aprobados significa un incremento en el riesgo de accidentes. MAKITA no aceptará ninguna responsabilidad por accidentes o daños causados por el uso de herramientas de corte y de sujeción, o accesorios, no aprobados.

## Primeros Auxilios

Para el caso de accidente asegúrese que un botiquín de primeros auxilios está disponible cerca del lugar de trabajo- Reponer inmediatamente cualquier producto que se utilice del botiquín.



**Cuando se pida ayuda, se debe proporcionar la siguiente información.**

- Lugar del accidente.
- Qué ha ocurrido.
- Número de personas heridas.
- Clase de heridas.
- Su nombre.



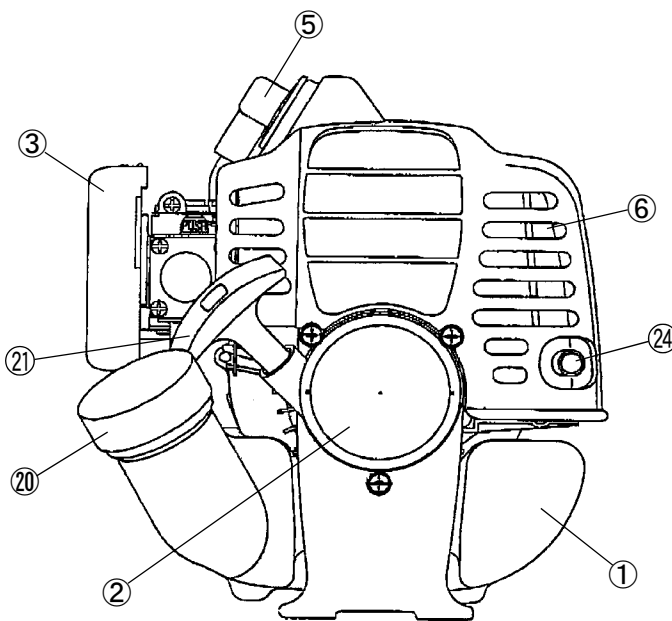
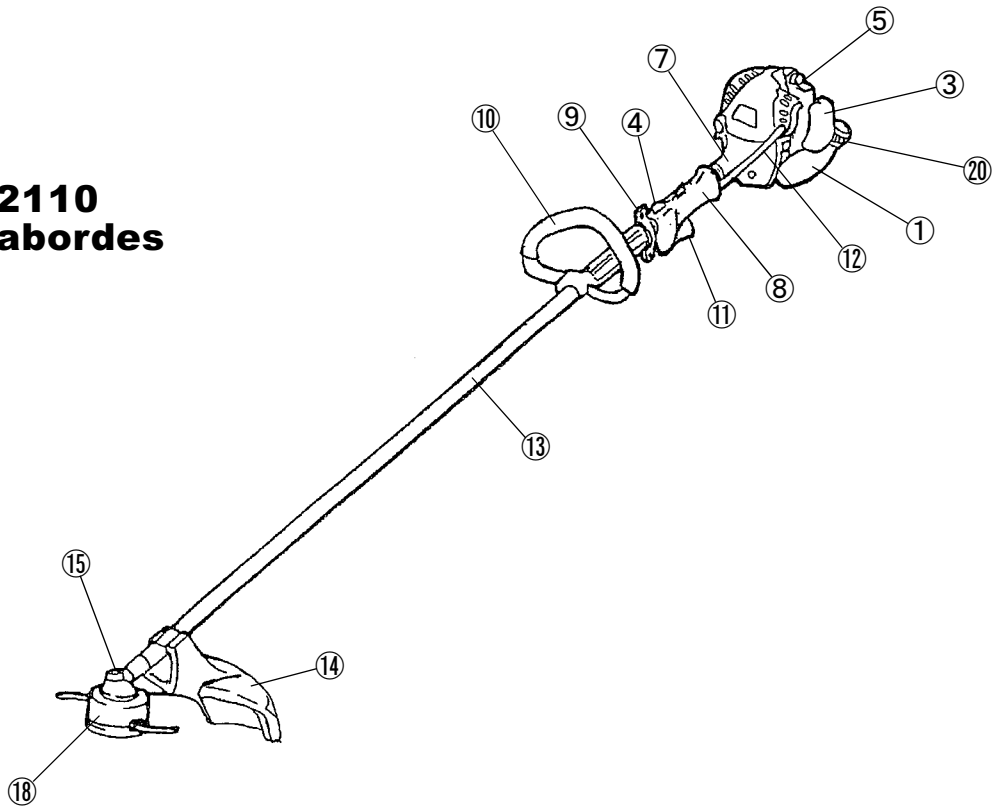
## Especificación

Modelo		RBC2110
Dimensiones: largo x ancho x alto (sin cabezal de nylon)	mm	1735 x 235 x 220 (68-1/4" x 9-1/4" x 8-5/8")
Peso (sin protector de plástico ni cabezal de nylon)	kg	3.6
Volumen (tanque de combustible)	L	0.4
Desplazamiento del motor	cc	21.0
Máximo rendimiento del motor	HP	0.83 /7000 /min
Velocidad del motor al máximo de revoluciones recomendada	/min	8800
Máximo de revoluciones (correspondiente)	/min	6000
Velocidad en vacío	/min	3000
Velocidad de acoplamiento del embrague	/min	4000
Carburador (de diafragma)	type	TK TZ9V
Sistema de encendido	type	Encendido en estado sólido
Bujías	type	NGK BPM7A
Separación del electrodo	mm	0.6-0.7(0.024"-0.028")
Combustible		Mezcla de combustible (Gasolina : aceite especificado 2 tiempos=50 : 1)
Relación de Engranajes		14/19

**ADVERTENCIA : La Modelo RBC2110 no se debe usar con el la cuchillas metálicas.**

## DENOMINACIÓN DE PARTES

### RBC2110 Cortabordes



E	DENOMINACION DE PARTES
1	Tanque de Combustible
2	Arrancador
3	Filtro de Aire
4	I-O Interruptor
5	Bujía
6	Silenciador de Salida
7	Caja del Embrague
8	Mango Trasero
9	Colgador
10	Manillar
11	Palanca de Control
12	Cable de Control
13	Eje
14	Protector
15	Caja de Engranajes/Cabezal
18	Cabezal de nylon
20	Tapón para llenado de combustible
21	Pomo de Arranque
24	Tubo de Escape

## MONTAJE DE MOTOR Y EJE



**PRECAUCIÓN:** Antes de realizar cualquier trabajo con la cortabordes, apagar el motor y separar el conector de la bujía.  
Llevar siempre quantes!

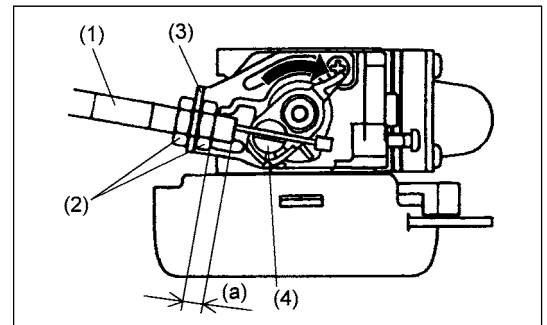
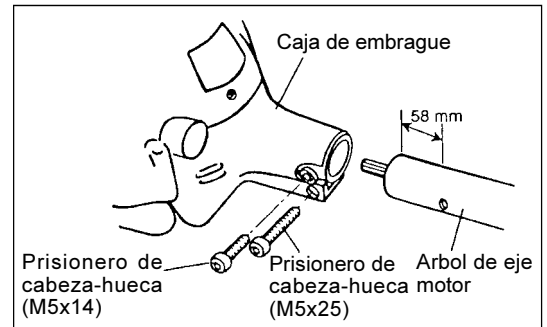
**PRECAUCIÓN:** Arrancar la cortabordes sólo después de haberlo montado completamente.

– Introduzca el eje conductor en la caja del soporte. (Fig.)

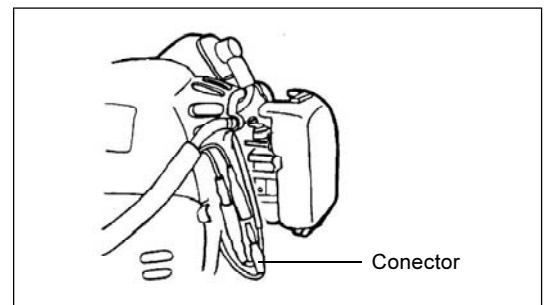
**Nota:** Introduzca siempre el eje conductor en la caja de soporte hasta dentro del todo (aprox. 58 mm). En caso que el eje interior estorbe que se introduzca del todo el eje conductor, pruebe a introducirlo de nuevo después de haber girado un poco el eje conductor o la arandela de soporte que hay en la caja del engranaje para que el eje interior coincida con el agujero que hay en la parte interior de la caja del soporte.

– Después de haberse asegurado de que el eje conductor esté bien metido hasta dentro y debidamente colocado, apriete los el prisionero de cabeza-hueca M5 x 14 y prisionero de cabeza-hueca M5 x 25 para sujetar bien el eje conductor.

– Ponga el soporte (3) del carburador entre las 2 tuercas (M6) (2) fijadas al cable de control (1) y apriete los 2 tuercas (2) asegurándose de que la distancia (a) a la extremidad del tornillo del cable de control es 3,0 a 4,0 milímetros. Entonces, inserte la enterrosca del cable de control en el eslabón giratorio (4) del carburador.



Conector los cable con el motor insertándolo uno con otro.  
– Fije el conector de cordon por medio de la grapa.



## MONTAJE DEL MANILLAR



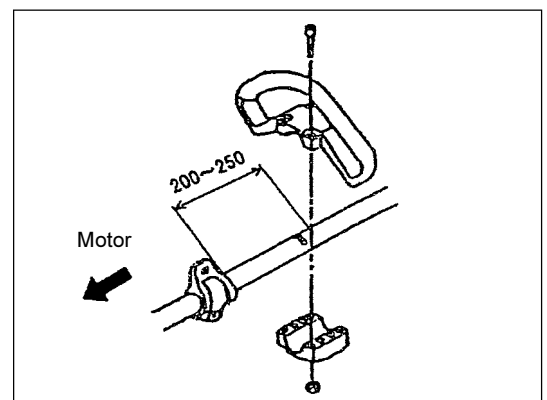
**PRECAUCIÓN:** Antes de realizar cualquier trabajo con la cortabordes, apagar el motor y separar el conector de la bujía.  
Siempre llevar quantes!

**PRECAUCIÓN:** Arrancar la desbrozadora / cortabordes sólo después de haberlo montado completamente.

### Para maquinas con manubrio en bucle

– No acier que el manubrio bucle a la empuñadura.

– La posición normal del manubrio se encuentra a una distancia de entre 200 y 250 mm del colgador.



## MONTAJE DEL PROTECTOR

Para satisfacer los normas de seguridad aplicables, únicamente deben utilizarse las combinaciones herramienta/protector que se indican en la tabla.

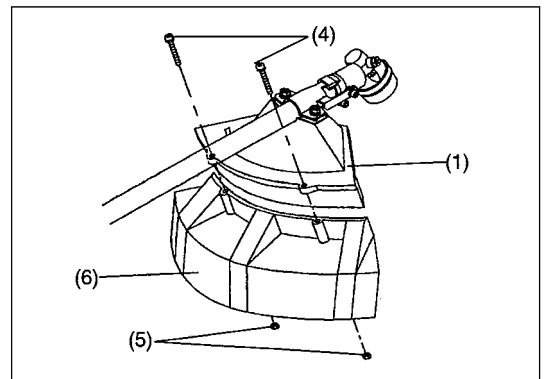
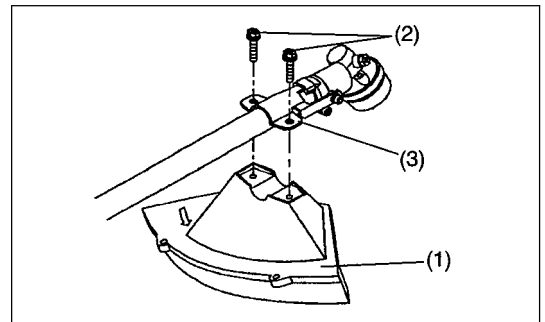
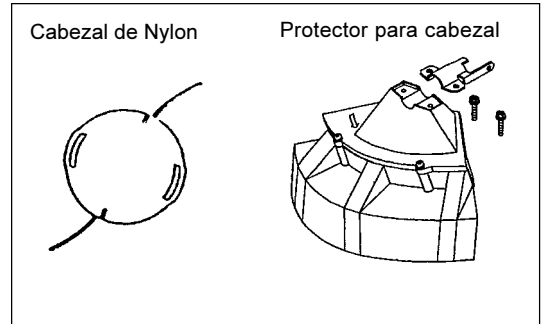
### Asegúrese que se utilizan cabezales de nylon MAKITA.

–Si la cuchillo cortador golpee contra una piedra durante la operación, pare el motor y verifique la cabezal cortadora de nylon inmediatamente.

**PRECAUCIÓN:** Un protector adecuado debe estar instalado siempre, para su propia seguridad y para cumplir con las normas de prevención de accidentes. No se permite la utilización del equipo sin el protector en su lugar.

– Fijar el protector (1) en la abrazadera (3) con dos pernos M6 x 30 (2).

– Cuando se utilice el cabezal de corte de nylon, ajuste el protector (6) dentro del protector (1) y apriételos con dos tuercas (5) y dos tornillos (4).

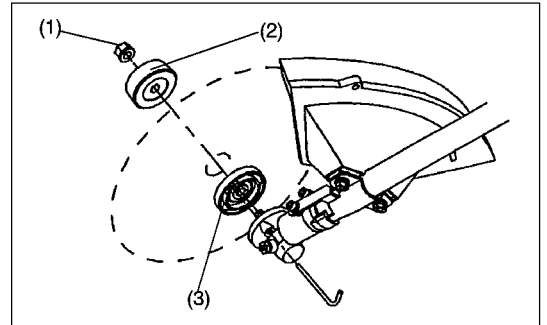


## MONTAJE DE LA CABEZAL DE CORTE DE NYLON

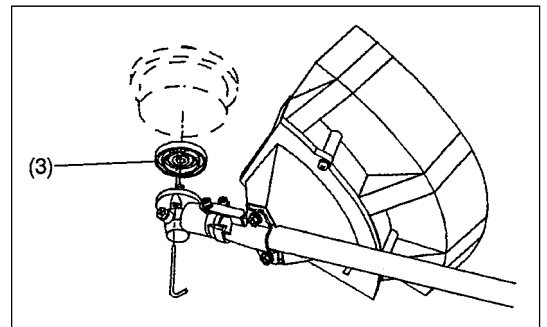


Voltee la máquina con la parte de arriba abajo, y de esta forma podrá cambiar la cabeza de corte de nylon más fácilmente.

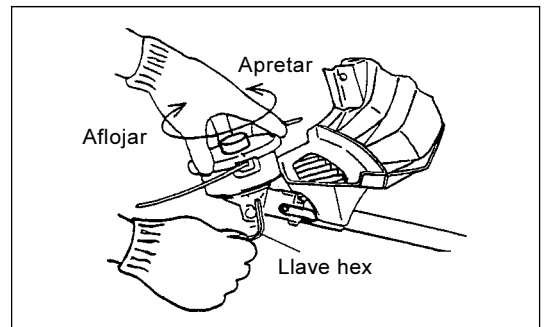
- Insertar la llave hexagonal en el agujero de la caja de engranajes y girar la arandela del receptor (3) hasta que quede fijada en la llave o el eje quede cerrado.
- Aflojar la tuerca (1) (rosca a mano izquierda) con la llave de cubo y quitar la tuerca (1) y la arandela de adrazadera (2).



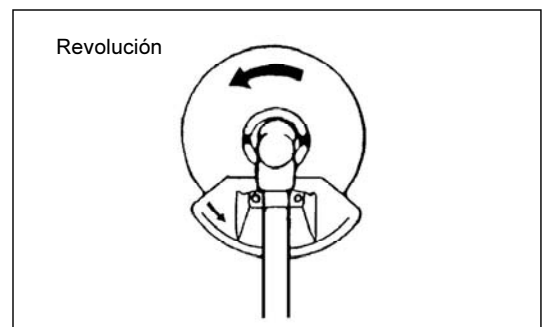
NOTA: La arandela de sujeción y la tuerca no son necesarias para montar el cabezal de nylon.



- Atornillar el cabezal de nylon sobre la eje.



- Asegúrese de que la cuchilla de corte esté colocada con la parte derecha hacia arriba.



## Manipulación del combustible

La máxima atención se requiere cuando se manipule el combustible. El combustible puede contener sustancias similares a los disolventes. Reponer combustible en una habitación bien ventilada o en el exterior, No inhalar vapores de combustible, evitar el contacto del combustible o del aceite con su piel. entra en contacto con setas sustancias repeditamente y por un periodo extenso, se resecará. Varias enfermedades de piel pueden aparecer. Además, pueden courrir reacciones alérgicas. Pueden irritarse los ojos por el contacto con el aceite. Si entra en sus ojos, lavar inmediatamente con agua limpia. Si sus ojos permanecen irritados, vaya a un médico inmediatamente.

## Mezcla de combustible y aceite

Inspeccione el depósito del carburante y rellénelo con una nueva mezcla en sus porciones adecuadas para asegurar una larga duración de la herramienta.

### Utilice la siguiente mazcla.

Gasolina : Aceite de motor de dos carreras legitimo de MAKITA = 50 : 1 o  
Gasolina : Aceite de motor de dos carreras de otros fabriantes = 25 : 1

## REGULACIONES PARA EL ESTADO DE CALIFORNIA CERTIFICAMOS QUE ESTE EQUIPO TRABAJA CON UNA MEZCLA DE GASOLINA Y DE ACEITE PARA MOTORES DE DOS TIEMPOS

Cuando mazcle gasolina con aceite para motores de dos tiempos, utilice únicamente gasolina normal ya que no contiene etanol o metanol (tipo de alcohol). Con ello se evitan posible daños a los tubos de la gasolina y a otras piezas del motor. No mezcle la gasolina y el aceite directamente en el depósito del carburante.

**IMPORTANTE: No seguir las apropiadas indicaciones sobre la mezcla de combustible puede causar daños al motor.**

- CAUTION: 1. Cuando prepare la mezcla de gasolina, prepare sólo la cantidad que necesite para el trabajo que vaya a realizar. No utilice una mezcla de gasolina que haya estado almacenada más de dos meses. Este tipo de mezcla produce que cueste poner en marcha el motor y una marcha lenta del mismo. Si hubiera una mezcla almacenada por un período mayor de tiempo debería ser cambiada por una nueva.
2. No llene nunca el depósito del carburante hasta el límite de la entrada.
  3. No rellene nunca el depósito en un lugar cerrado que no esté bien ventilado.
  4. No añada carburante cerca de un lugar con fuego a dónde se produzcan chispas.
  5. Asegúrese de limpiar bien el carburante que haya podido derramarse antes de poner en marcha el motor.
  6. No reabastezca con el motor caliente.

## Puntos de control antes de la operación

1. Compruebe si hay pernos flojos, tuercas y guarniciones.
2. Compruebe el filtro de aire si hay suciedad. Limpie el filtro de aire de toda la suciedad, etc. antes de la operacion.
3. Compruebe para ser seguro que el protector esta con seguridad en lugar.

## ¡El motor debe apagarse!

- Limpiar completamente la zona alrededor del tapón para evitar que entre suciedad en el tanque.
- Aflojar el tapón y llenar el tanque con combustible según sea el caso.
- Apretar fuertemente el tapón.
- Limpiar el tapón y al tanque después del llenado.

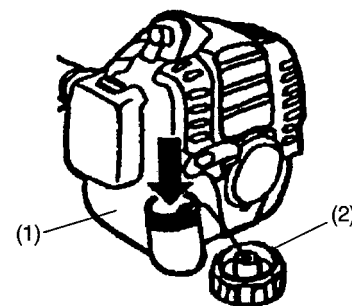
## Almacenamiento del combustible

El combustible no se puede almacenar durante en periodo indefinido de tiempo.

Comprar únicamente la cantidad requerida para un periodo de trabajo de 4 semanas. Utilizar únicaente contenedores de combustible aprobados.



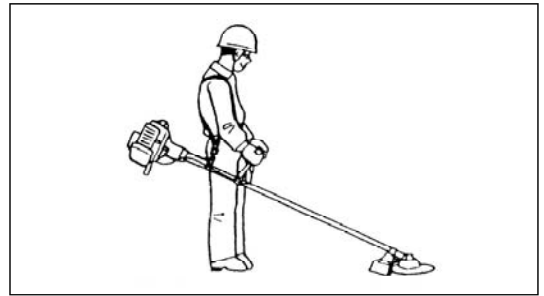
Observer las normas de seguridad de la pág.39!



## USO CORRECTO DE LA MÁQUINA

### Colocación de la correa para el hombro.

- Ajustar la longitud de la correa de forma que la hoja de corte quede paralela al suelo.

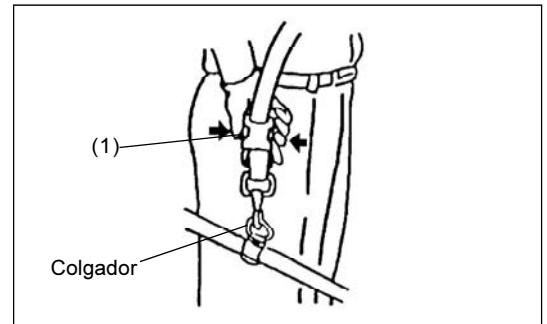


### Separación

- En caso de emergencia, empuje las muescas (1) en ambos lados, y usted puede separar la máquina de usted.

Tomar precauciones extremas para mantener el control de la máquina. No permitir que la máquina se desvía hacia Ud. o alguien situado cerca.

ADVERTENCIA: Un fallo en mantener el completo control de la máquina puede causar heridas corporales muy graves o la muerte.



## PUESTA EN MARCHA

!Observar las normas de prevención de accidentes aplicables!



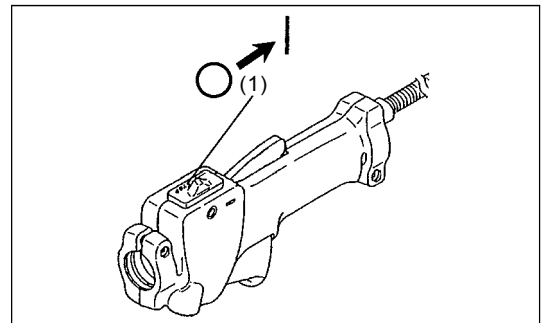
### Arranque

Situarse a una distancia mínima de 3 metros del lugar de reabastecimiento. Colocar la cortabordes en una zona de terreno limpio, tomando cuidado de que la herramienta de corte no entre en contacto con el suelo o cualquier otro objeto.

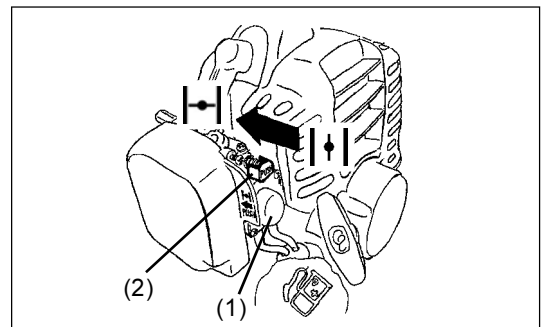
### Arranque en frío:

#### Máquina con manillar U ó bucle

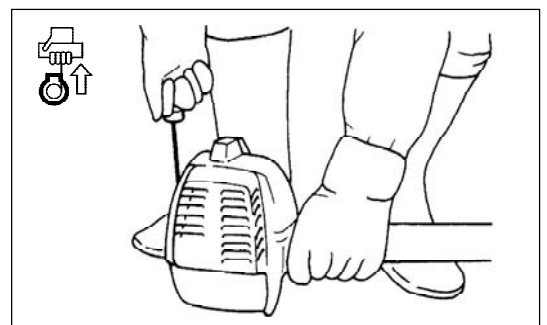
- Colocar el interruptor I-O (1) en la posición que indica flecha.



- Primero colocar la máquina sobre el suelo.
- Dar un suave empujón a la bomba de cebado (1) repetidamente (7-10 veces) hasta que el combustible entre en la bomba
- Colocar el botón del estrangulador (2) a la posición "I-O"



- Sujetar firmemente la caja del embrague con su mano izquierda según se ilustra.
- Retirar lentamente el mango del arrancador hasta que se note una resistencia y continuar con un tirón rápido.
- No estirar completamente la cuerda del arrancador hasta su longitud total, y no permitir que el mango del arrancador vuelva sin control. Asegurarse que vuelve lentamente.
- Repetir la operación de arranque hasta que se oigan los primeros encendidos.
- Cuando el motor comienza, satisfaga abierto la palanca de mariposa un poco. El botón de la estrangulación que es automático, vuelve a la posición original "I-O".
- Dejar correr el motor durante 1 minuto a una velocidad moderada antes de aplicar la admisión completa.



- Note: – Si extrae la manivela de arranque con demasiada repetición cuando la botón el estrangulador se mantiene en la posición "I", se pone en marcha con mucha dificultad debido a que se respira demasiado combustible.
- Si se respira demasiado combustible, desmonte la bujía de encendido, y haga escapar el combustible sobrante con repetida extracción lenta de la manivela de arranque. Asimismo, seque el electrodo de la bujía de encendido.

**Precauciones durante la operación:**

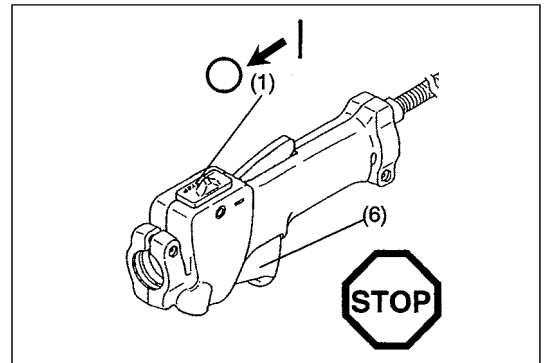
!Si la palanca de la mariposa de gases se abre completamente en operación sin carga, la rotación del motor se elevará a 10.000 rpm o más. Nunca operar el motor a una velocidad más alta que la requerida y mantenerse a una velocidad aproximada de 6000-8000 rpm

**Arranque del motor en caliente**

– Según se describe antes, pero sin mover la botón el estrangulador.

**Paro (manillar U/cerrado)**

– Soltar la palanca de control completamente y cuando las revoluciones del motor descendán, apretar el interruptor I-O a la posición O. El motor parará.

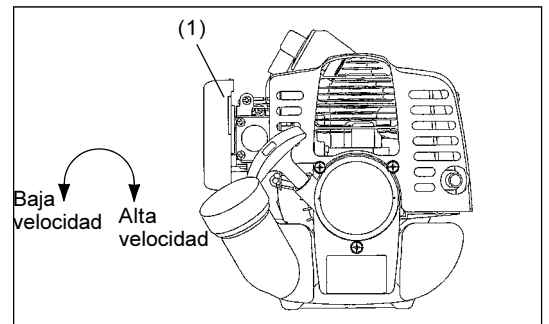


**IDLE ADJUSTMENT**

El cabezal de Nylon no deben pitar cuando la palanca de control está completamente soltada. Si es necesario, ajustar las revoluciones en vacío, utilizando el tornillo de ajuste en vacío.

**Comprobar la velocidad en vacío**

– La velocidad en vacío debe fijarse a 3000 rpm. Si es necesario, corregirla con el tornillo de ajuste (la corte de cuerda no deben girar cuando el motor marcha en vacío.).  
 Si se aprieta el tornillo (1) se producirá un aumento de la velocidad del motor, mientras que girándolo hacia afuera, la velocidad del motor disminuirá.

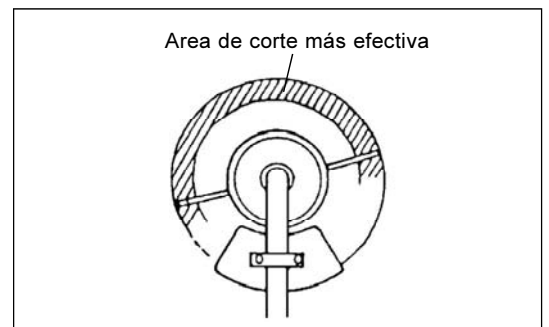


**CABEZAL DE NYLON**

El cabezal de nylon es un cabezal dual de cuerda que puede alimentar automáticamente y con mecanismo de tope y avance. El cabezal se alimentará automáticamente con la longitud adecuada de cuerda según los cambios de fuerza centrífuga causado por un aumento o disminución de las revoluciones. Sin embargo, para cortar el césped blando de forma eficiente, hacer topar el cabezal con el suelo para extraer cuerda adicional como se indica en la siguiente sección de operaciones.

**Operaciones**

- Aumentar la velocidad del cabezal de nylon hasta unas 6000 rpm. La velocidad baja (por debajo de 4800 rpm) no será útil, la cuerda de nylon no será extraída suficientemente a baja velocidad.
- El área más efectiva de corte se indica de forma sombreada en el diagrama.





**Si la cuerda de nylon no se alimenta automáticamente, hacer lo siguiente.**

1. Soltar la palanca de la mariposa de gases para hacer marchar el motor en vacío y apretar completamente la palanca de la mariposa de gases. Repetir hasta que la cuerda de nylon salga hasta la longitud adecuada.
2. Si la cuerda de nylon demasiado corta para alimentarse automáticamente según lo explicado, golpear el botón del cabezal contra el suelo para alimentar la cuerda de Nylon.
3. Si la cuerda de nylon no sale con lo explicado en 2, sustituir la cuerda de nylon según el procedimiento que se explica a continuación en "sustitución de la cuerda de nylon".

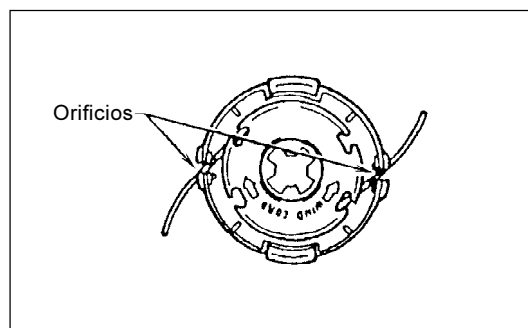
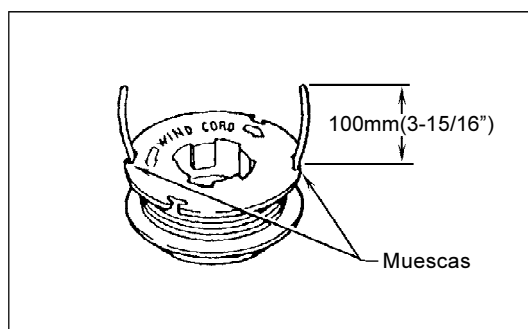
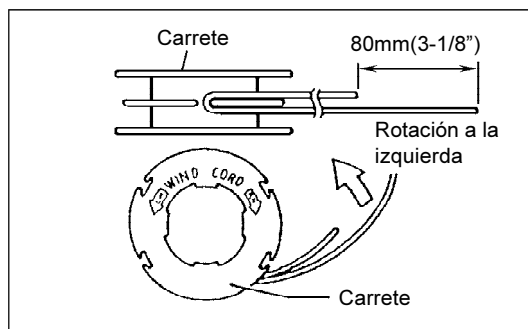
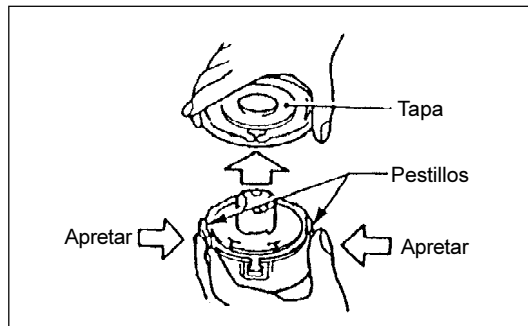
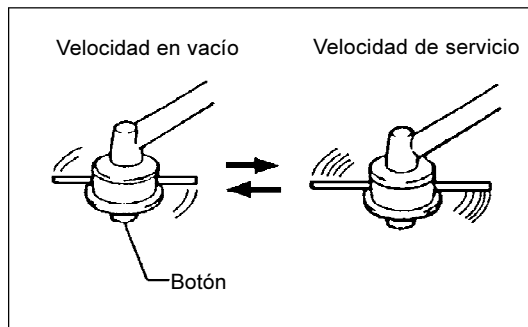
**Sustitución de la cuerda de nylon**

- Primero, parar el motor.
- Apretar los dos pestillos de la caja hacia el interior para levantar la tapa; quitar el carrete.

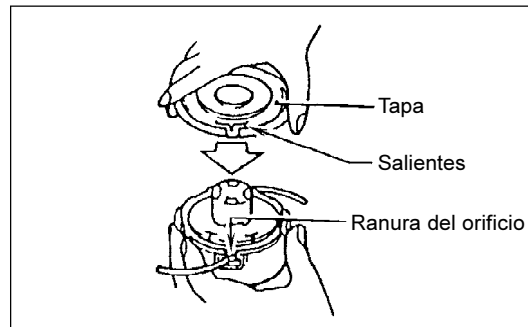
- Enganchar el centro de la nueva cuerda de nylon en la muesca del centro del carrete, dejando que uno de los extremos de la cuerda mida unos 80mm (3-1/8") más que el otro. Enrollar ambos extremos firmemente alrededor del carrete en la dirección de rotación del cabezal (a mano izquierda indicado con LH y a mano derecha indicado con RH en el lateral del carrete).

- Enrollar la totalidad excepto unos 100mm (3-15/16") de la cuerda, dejando los extremos temporalmente enganchados a través de una de las muescas del carrete.

- Montar el carrete en la caja de forma que los surcos y protuberancias del carrete encajen con los de la caja. Mantener el lado del carrete con letras visible (arriba). Ahora, desenganchar los extremos de la cuerda de su posición temporal y alimentar las cuerdas a través de los orificios hacia el exterior.



- Posicionar los salientes del interior de la tapa sobre las ranuras de los orificios. Presionar la tapa firmemente sobre la caja para asegurarla.



## INSTRUCCIONES DE SERVICIO



**PRECAUCIÓN:** Antes de realizar cualquier trabajo con la Cortabordes, siempre apagar el motor y sacar la tapa de la bujía (ver "comprobación de la bujía"). Siempre usar guantes protectores.

Para asegurar una larga vida y evitar cualquier daño al equipo, las siguientes instrucciones de servicio deben realizarse a intervalos regulares:

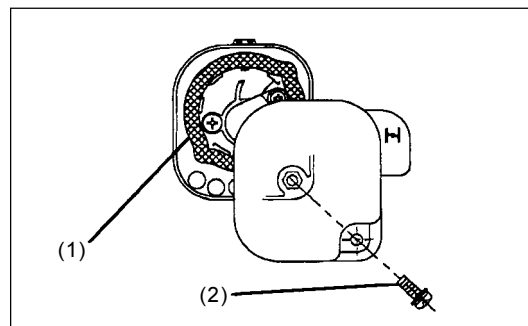
### Comprobación y mantenimiento diarios

- Antes de trabajar, comprobar que no hay tornillos sueltos o que faltan piezas. Particularmente, revisar que la cabezal de Nylon están bien sujetas.
- Antes de trabajar, siempre comprobar que el paso de aire refrigerante y las aletas de los cilindros no están obturadas. Limpiarlos si es necesario.
- Realizar el siguiente trabajo diariamente después del uso:
  - Limpiar la desbrozadora externamente y revisar si hay daños.
  - Limpiar el filtro de aire. Cuando se trabaje en condiciones de mucho polvo, limpiar el filtro varias veces al día.
  - Comprobar que la cuchilla o el cabezal de Nylon no están dañados y comprobar que estén bien montados.
  - Comprobar que hay una diferencia suficiente entre la velocidad en vacío y de funcionamiento para asegurar que la herramienta de corte permanece quieta cuando el motor marcha en vacío. Si es necesario reducir la velocidad en vacío. Si en velocidad inferior a la marcha en vacío la cuchilla sigue girando, consulte con su Agente de Servicio Autorizado.
- Comprobar el funcionamiento del interruptor I-O la palanca de cierre, la palanca de la mariposa de gases.

### Limpieza del filtro de aire

El estorbar del elemento (1) puede a veces hacerlo difícil o imposible encender para arriba el motor o de aumentar la velocidad del motor. Después del final de la operación, sea seguro limpiar el filtro de aire según lo mencionado abajo.

- Quite el tornillo de la tapa del filtro de aire.
- Coloque el dedo bajo tapa del filtro de aire, empuje hacia abajo la parte más inferior de la tapa, y separe la tapa del filtro de aire.
- Tome hacia fuera el elemento (1), límpielo con agua tibia mezclada con el detergente neutral, y séquelo totalmente.
- Después de limpiar, una el elemento.
- Inserte la garra en la parte superior del caso en el agujero en la parte superior de la tapa del filtro de aire. Entonces, una la tapa del filtro de aire empujándola, y apriete el tornillo (2).

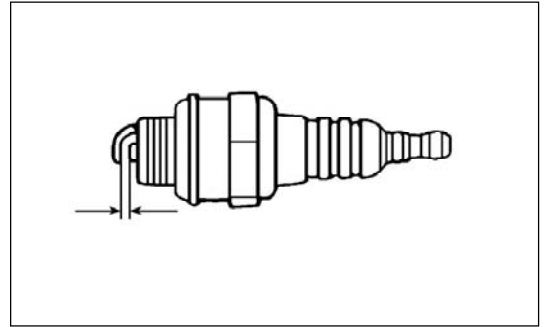


**NOTA:** Si hay polvo o suciedad excesivo que adhiere al filtro de aire, límpielo cada día. Un filtro de aire estorbado puede hacerlo difícil o imposible arrancar el motor o de incrementar la velocidad rotatoria del motor.

### Comprobación de la Bujía

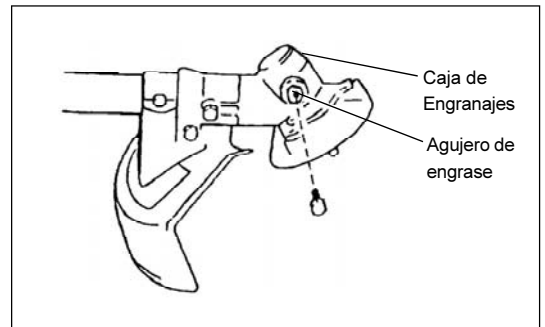
- Utilizar solo la llave universal suministrada para quitar o instalar la bujía.
- La separación entre ambos electrodos de la bujía debe ser de 0.6 - 0.7mm (0.024" - 0.028"). Si la separación es mayor o menor, ajustarla. Si la bujía está obturada con carbonilla o sucia, limpiarla completamente o cambiarla.

PRECAUCIÓN: Nunca tocar el conector de la bujía mientras el motor funciona. (Riesgo de alto voltaje).



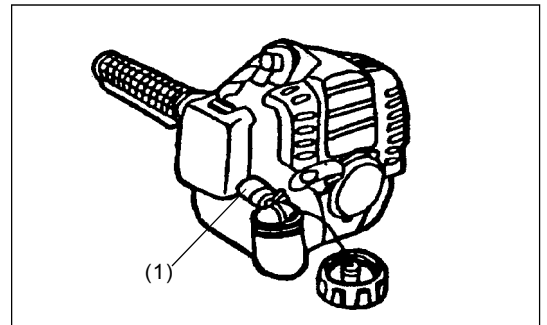
### Suministro de grasa a la caja de engranajes

- Suministrar grasa (Shell Alvania No. 3 o equivalente) a la caja de engranajes a través del agujero cada 30 horas. (Puede comprar grasa genuina MAKITA a su distribuidor MAKITA).



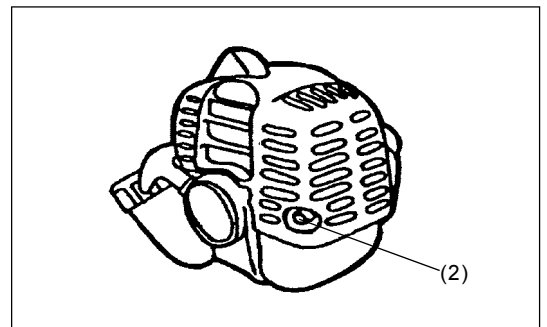
### Cabezal de succión en el tanque de combustible

- El filtro de fieltro (1) del cabezal de succión se utiliza para filtrar el combustible requerido por el carburador.
- Una inspección visual periódica de este filtro debe realizarse. Para ese propósito, saque la tapa del tanque y con un alambre en forma de gancho saque el cabezal a través del agujero del tanque. Los filtros que se hayan endurecido, ensuciado u obturado deben sustituirse.
- El suministro insuficiente de combustible puede provocar que se supere la máxima velocidad admisible. Por lo tanto, es importante cambiar este filtro por lo menos cada trimestre para asegurar un suministro satisfactorio de combustible al carburador.



### Limpeza del orificio de salida del silenciador

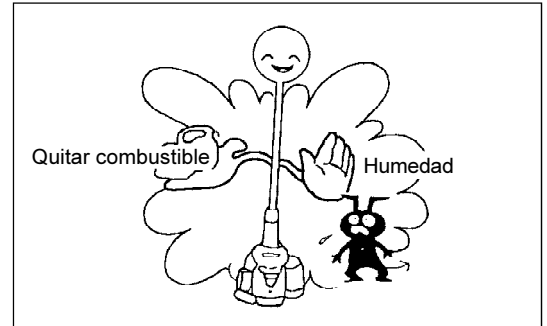
- Comprobar regularmente el orificio (2) de salida del silenciador.
- Si está obturado por depósitos de carbón, arrancar con cuidado estos depósitos con una herramienta adecuada.



Cualquier operación de mantenimiento o ajuste que no se incluya o describa en este manual sólo debe realizarse por el Agente de Servicio Autorizado.

## ALMACENAMIENTO

- Cuando se guarde la máquina durante un período largo de tiempo, extraer todo el combustible del tanque y del carburador. Desechar el combustible de acuerdo con la normativa local.
- Quitar la bujía y echar unas gotas de aceite en el agujero de la bujía. Tirar del tirador de arranque suavemente, confirmar que la película de aceite cubre el interior del motor y colocar la bujía.
- Limpiar el polvo o suciedad de la cuchilla y del exterior del motor con un trapo sumergido en aceite y guardar la máquina en lugar seco.



### Esquema de mantenimiento

General	Conjunto de motor tornillos y tuercas	Inspección visual de daños y seguridad Comprobar condiciones generales
Después de cada reabastecimiento	Palanca de control Interruptor I-O	Comprobación funcional Comprobación funcional
Diaria	Filtro aire Conducto aire refrigerante Herramienta de corte Velocidad en vacío	Limpiarlo Limpiarlo Comprobar daños y estado del afilado Inspeccionar (la cuchilla no se debe mover)
Semanal	Bujía Silenciador	Inspección/cambiar si es necesario Comprobar si es necesario limpiar
Trimestral	Cabezal de succión Tanque combustible	Cambiar Limpiar
Procedimiento para almacenaje	Tank combustible Carburador	Vaciar hacer funcionar hasta que el motor quede sin combustible

### Localización de averías

Avería	Sistema	Observaciones	Causas
El motor no arranca o lo hace con dificultades	Encendido	Hay chispa de encendido	Fallo en suministro de combustible o sistema de compresión Defecto mecánico
		No hay chispa	Interruptor I-O conectado, fallo del cableado o cortocircuito, bujía o conector defectuosos, fallo en el módulo de encendido
	Suministro de combustible	Tanque lleno	Posición incorrecta del estrangulador, carburador defectuoso, cabezal de succión sucio, línea de suministro de combustible doblada o interrumpida
	Compresión	Interior del motor	La junta interior del cilindro es defectuosa, los retenes del cigüeñal están dañados, el cilindro o los segmentos del pistón están dañados
Problemas de arranque en caliente	Fallo mecánico	El arrancador no funciona	El muelle del arrancador está roto. Partes rotas en el interior del motor
	Suministro de combustible	Tanque lleno hay chispa de encendido	Carburador contaminado, hay que limpiarlo
El motor arranca y se para inmediatamente		Suministro de combustible	Tanque lleno
			La ventilación del tanque falla, la línea de suministro de combustible está interrumpida. El cable o el interruptor I-O fallan.
Rendimiento pobre	Varios Sistemas pueden verse afectados	Motor en vacío	Filtro de aire contaminado, carburador contaminado, silenciador obturado, conducto de salida en el cilindro obturado

## **Makita Corporation**

3-11-8, Sumiyoshi-cho,  
Anjo, Aichi 446-8502, Japan

6199527100