



STEALTH CAM[®]
Digital Scouting Cameras



INSTRUCTION MANUAL
MODEL: STC-P12

****IMPORTANT NOTE****

To ensure the product is being utilized to its full potential, we recommend checking our website for new product updates. If your unit is having trouble, please check the website to determine you are using the latest firmware or software version.

TECHNICAL SUPPORT

EMAIL: *Stealthcam@gsmorg.com*

Please allow 48 hours for email response.

STEALTHCAM LLC

P.O. Box 535189

Grand Prairie, TX 75053-9504

CUSTOMER SERVICE

CONTACT & HOURS

Toll Free: 877-269-8490

CALL CENTER HOURS

Mon – Fri / 8 AM – 5 PM (CST)

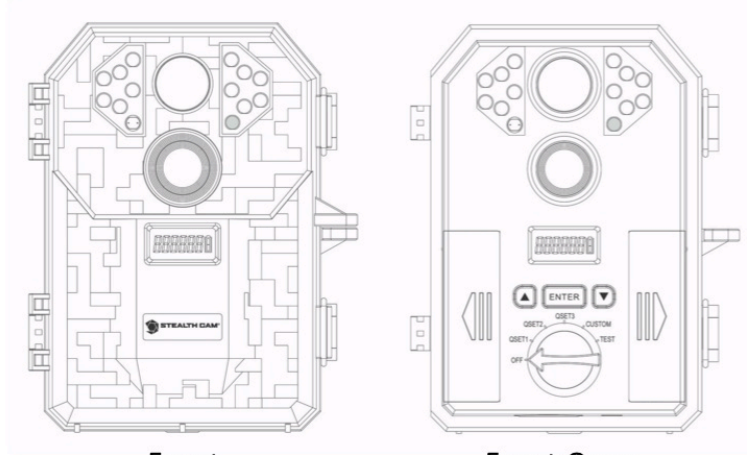
www.stealthcam.com
877-269-8490

Page 3

TABLE OF CONTENTS

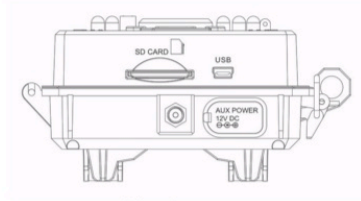
Camera Overview	5
Quick Start Guide	7
General Information	8
Camera Programming	9
Quick Set 1 (QSET1)	9
Quick Set 2 (QSET2)	9
Quick Set 3 (QSET3)	9
Custom Settings	10
Test Mode	13
Memory Card	
Installation	14
Formatting	13
Image Capacity Chart	14
Battery Removal & Installation	15
View and Deleting files	16
Frequently Asked Questions (FAQs)	17
FCC Compliance	18
Limited Warranty Information	19

CAMERA OVERVIEW



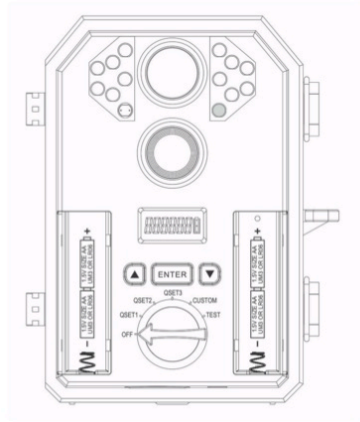
Front

Front Open

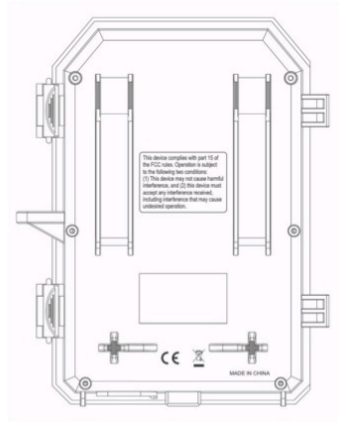


Bottom

CAMERA OVERVIEW (CONT)



Battery Compartment



Back

QUICK START GUIDE

Power Options (Select one)

1. Insert 8 'AA' batteries into the (2) inside battery compartments.
2. Connect 12V Battery Box to the bottom of the unit under the AUX POWER 12V DC gasket.

Memory

Insert a clean Class 10 SD memory card, between 2GB and 32GB into memory card slot. Memory card must be inserted in the correct orientation until spring lock mechanism engages.

Mount Camera

Mount the camera at the desired location using the strap mount, Python Lock cable, Articulating Ball Joint Mount, or other desired mounting mechanism. Position the camera so that it does not face East or West directly as the rising and setting of the sun can cause false positive triggers.

Activation

Move the program dial to the desired activation position:

Position	Default Settings	Details on Page
QSET1	6MP – 30 Sec Time Out – 3 Images	9
QSET2	6MP – 30 Sec Time Out – 1 Image	9
QSET3	VGA Video – 30 Sec Time Out – 10 Sec Length	9
CUSTOM	4MP – 5 Sec Time Out – 1 Image (Default)	10

GENERAL INFORMATION

Storing conditions

- Operating Environment: 14 to 104 deg F (-10 to 40 deg C). 20-85% relative humidity, non-condensing.

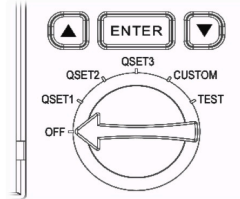
Special care instructions!!

- The camera is designed to be weather resistant. Never attempt to immerse the unit in water or any other liquid. This will damage the unit and void the warranty.
- Do not mix old and new batteries.
- Do not mix alkaline, standard, or rechargeable batteries.
- Use a soft lens cloth for cleaning lens. Avoid touching lens with fingers.
- Remove dirt or stains with a soft cloth dampened with water or neutral detergent. Keep your camera in a dry and cool dust-free environment or container when it is NOT used.
- Remove batteries when camera is NOT in use for an extended period of time.
- Avoid dropping your camera on to a hard surface.
- Do not disassemble your camera.
- Do not mix new and old batteries.
- Do not access the camera's internal components compartment for unauthorized service, as this could cause serious damage to the unit and WILL void the warranty.

NOTE: This camera is a precision electronic device. Do not attempt to service this camera yourself, as opening or removing covers may expose you to dangerous voltage points or other risks.

CAMERA PROGRAMMING

This P12 features 6 distinct modes of operation: **OFF / QSET1 / QSET2 / QSET3 / CUSTOM / TEST**. Each setting is activated based upon the position of the program dial on the inside of the unit.



OFF – This position completely powers down the unit.

QSET1 – This is the first Quick Set programming mode. When the camera is changed to the this mode, the display screen will give a digital read out of the following:

- 1st - **dLY 30** – (Delay) Counts down from 30sec to 0sec
- 2nd - **rdY** – (Ready) Camera is in a ready and active state

With this setting the camera is preprogrammed to take photos at 6MP resolutions, a 30 second timeout delay between activations and takes a burst of 3 photos every trigger activation.

QSET2 – This is the second Quick Set programming mode. This setting is preprogrammed to take photos as 6MP resolution, 30-second timeout delay and take a single photo per trigger activation.

QSET3 – This is the third Quick Set programming mode. This setting is preprogrammed to take a VGA Video with audio, have a 30 second timeout delay between activations, and each video will be 10 seconds in length.

CUSTOM – This is the fifth setting and is defined by the “user”. When the camera is changed to the this mode, the display screen will give a digital read out of the following:

dLY 30 – (Delay) Counts down from 30sec to 0sec

The system default programming is set to take photos at 4MP resolution, 5-second timeout delay and 1 Photo Burst. The 30-second timer will count down towards 0 showing how much time is left to **enter** the Custom configuration menu.

To make changes to the programming, press the **UP** or **DOWN** arrow to enter the configuration menu before the countdown reaches zero. By pressing the **DOWN** arrow button you will move to the next setting option, which is DATE. By pressing the **UP** or **DOWN** arrow you will be allowed to scroll through all the different menu choices. Once you find the option you want to change press the **ENTER** button. Pressing the **ENTER** button on a listed configuration option will cause the option to blink and allow it to be changed. By pressing **ENTER** again once an option has been changed will set the new configuration, save it to the camera’s memory, and return to options section of the **MENU** configuration. Once all the settings have been changed to the operator’s desired settings scroll through the menu till you see the word **QUIT** and then press **ENTER**.

The following are all the options and descriptions of how to change each configuration:

DATE – (01/01/14 default): This setting is used to give the camera the correct date to use on the Info Bar of the images. The format is in a MM/DD/YY setup. With the MM (month) setting blinking, use the **UP** and **DOWN** arrows to be change the setting from 1 to 12. Once this setting is on the appropriate month, press the **ENTER** button to move to the DD (day) setting and it will start to blink. Using the UP and DOWN arrows will allow the setting to be change from 1 to 31. Again when this setting is on the appropriate day, press the **ENTER** button to move to the YY (year) setting and it will start to blink. Using the UP and DOWN arrows will allow the setting to be changed from 14 to 35. Press the **ENTER** button to accept all your changes and to go back to main options menu.

TIME – (12:00A default): This setting is used to give the camera the correct time to use on the Info Bar of the images. The default format is in a HH/MM/AP setup. With the HH (hour) setting blinking, use the **UP** and **DOWN** arrows to change from 12am to 11pm. Once this setting is on the appropriate hour, press the **ENTER** button to move to the MM (minute) setting and it will start to blink. Using the **UP** and **DOWN** arrows will allow the setting to be change from 00 to 59. Again when this setting is on the appropriate minute, press the **ENTER** button to accept all your changes and to go back to main options menu.

MODE – (PHOTO default): This setting is used to tell the camera how it should take its images or videos. With this option blinking, use the **UP** or **DOWN** arrow key to move between the options either PHOTO or VIDEO. Press the **ENTER** button to accept all your changes and to go back to main options menu.

RESOLUTION – (MED default): This setting is used to determine the megapixel resolution of each image taken by the camera. This is only for PHOTO mode. With this option blinking, use the **UP** or **DOWN** arrow key to move between the options of: 6MP(HI), 4MP(MED), 2MP(LO). The higher the resolution of an image the more space the file will take on the SD memory card. Press the **ENTER** button to accept all your changes and to go back to main options menu.

DELAY - (5SEC default): This setting is used to determine the length of time that the camera will wait before it reinitializes its PIR sensor for the next activation. With this option blinking, use of the **UP** and **DOWN** arrows to choice how many seconds you want the delay to be set for - 120S / 60S / 30S / 15S / 10S / 5S. Once this setting is on the appropriate time, press the **ENTER** button to accept all your changes and to go back to main options menu.

BURST – (1P default): This setting is used to determine the number of photos the camera will take during its activation. This setting can be changed between 1 PHOTO up to 6 PHOTOS. With this option blinking, use the UP or DOWN arrow key to move between the value range in increments of 1. Press the **ENTER** button to accept all your changes and to go back to main options menu.

VIDEO LENGTH – (15SEC default): This setting is used to determine the length of time, in seconds, of the video recording. This setting can be set to either 30S / 15S / 5S. With this option blinking, use the **UP** or **DOWN** arrow key to make your selection. Press the **ENTER** button to accept all your changes and to go back to main options menu.

FACTORY RESET – (NO default): This setting is used to reset the camera to its factory defaults. With this option blinking, pressing the **UP** or **DOWN** arrow buttons will switch between the two options of NO or YES. When the YES option is chosen and the **ENTER** button is pressed the camera will default all configurations made up to this point. Once reset is completed the screen will flash DONE and return to the main options menu.

DELETE SD CARD – (NO default): This setting is used to format the SD memory card installed. This will also delete ALL FILES from the card. This is always recommended to do when a brand new card is being used. With this option blinking, use the **UP** or **DOWN** arrow key to move between the options either YES or NO. When YES is chosen you will see the screen say dEL---, then DONE. Once completed the screen will return back to the main options menu.

QUIT – This setting will allow you to exit the main options menu and enter camera-ready mode, simply press the **ENTER** button.

TEST – This is the final switch setting, and is used to determine the camera's PIR sensor coverage area. When moved to this setting the display will display **TEST**. By simply walk back and forth in front of the camera, the light will illuminate green when you have passed into the coverage area.

MEMORY CARD

INSTALLATION

To insert the SD memory card into the camera: first locate the SD card slot on the inside bottom of the camera case.

Next with the SD card label facing towards the front of the camera, insert the SD card.

When the card has been pressed in fully there will be a noticeable resistance as the spring locking mechanism activates to hold on the SD card.

No force should be required to insert the card, should it feel as though the card will not freely slide into the slot, remove the card and check for any obstructions and that is being inserted properly.

IMAGE CAPACITY CHART

	6MP (HI)	4MP (MID)	2MP (LO)	Video :05sec	Video :10Sec	Video :15Sec	Video :30sec
2GB SD CARD	1462	2048	3187	1024	512	310	170
4GB SD CARD	2924	4096	6374	2048	1024	620	340
8GB SD CARD	5848	8192	12748	4096	2048	1240	680
16GB SD CARD	11696	16384	25496	8192	4096	2480	1360
32GB SD CARD	23392	32768	50992	16384	8192	4960	2720

*Number of images/videos is approximate and subject to change based upon subject footage.

*NOTE: For best results use cards with  designation on memory cards 4GB or higher.

BATTERY REMOVAL & INSTALLATION

To remove the batteries; open the case and slide the battery compartments doors outwards. (See page 5 and 6)

New, Alkaline or Lithium, 'AA' batteries must be inserted with the orientation as shown in the compartment. As with most electronic devices the negative (-) orientation of the batteries should be against the springs. Failure to insert the batteries properly will cause damage to the unit.

Once batteries are properly installed and with the orientation correct, simply slide the battery compartment doors back into its final locked position. Should the battery doors not willingly slide into its destination, remove them and examine the area of possible debris that may be causing the issue.

NOTE: Replacing the batteries will not reset the cameras current configurations.

****WARNING****

Do not mix new and old batteries.

Remove batteries from the tray if the unit will not be in use for extended period of time.

VIEW & DELETING IMAGES

The camera allows for two (2) ways to view your images. First is the direct connection from the camera to the computer via a USB cable (not included). This is a USB mini to standard USB (type A/B) cable. By simply turning the unit to the OFF position, and plugging the USB mini end into the camera and the standard USB end into the computer, the computer will register the camera as a card reading device. Once connection with the computer has been established the files may be review based upon the software installed on the computer. Please refer to the software's Owner's Manual for exact viewing of images.

NOTE: Support for this operation is limited to but not exclusive to the Windows Vista operating system and above, and also the Mac OS 10.6 and above. Any operating systems below the above-mentioned are not guaranteed to be compatible and may result in system errors.

The second option is to remove the SD memory card from the camera, and using a card reading device to view the images. Please refer to your computer's Owner's Manual for the particular device in use for viewing the files.

NOTE: SD memory card viewers not manufactured by Stealth Cam may create conflicts on the memory card. Should this occur and the card is no longer working properly with the unit, the SD memory card will need to be reformatted.

FREQUENTLY ASKED QUESTIONS

Q: *Can I mix batteries together?*

A: *NO, you should never mix old with new OR Alkaline with Lithium with Rechargeable.*

Q: *Is my game camera Mac compatible?*

A: *Yes, This camera model works with 10.6 and above.*

Q: *Can I use rechargeable batteries in the camera?*

A: *Rechargeable batteries are fine for the unit; regular alkaline batteries designed for digital electronics are recommended for best performance.*

Q: *When I use a memory card can I view the pictures on my personal digital camera?*

A: *We do not recommend viewing SD memory card images taken in your game camera on any other digital camera. You may experience compatibility issues.*

Q: *Will I lose my images and setting when the batteries die?*

A: *The images are stored on your external SD memory card so your images will be intact only on your card. However you will need to reset your settings.*

Q: *What are my options if my camera is past its warranty?*

A: *We have an out of warranty program in which you may purchase a refurbished / reconditioned replacement unit for 50% or more off (based on retail price of unit) discount exchange of your old unit.*

FREQUENTLY ASKED QUESTIONS (CONT)

Q: *Can I use my game camera through a window or glass door?*

A: *Glass may disrupt your sensor beam we don't advise using the camera in this fashion.*

Q: *Do I need to recharge my 12V Battery Kit during the seasons if it's not in use?*

A: *The 12V Battery Kit should be recharge at least every 3 months, regardless if it is being used or not, in order to preserve the working condition of the battery inside the unit.*

To ensure optimum performance of your Stealth Cam camera, it's best to always check for periodical free software updates.

***For the latest firmware downloads,
please check <http://www.stealthcam.com/download>***

Sign up for our weekly newsletter to stay informed on updates & new product news.

This equipment has been tested and found to comply with the limits for Class B digital device, pursuant to part 15 of the FCC Rules. These limits are designed to provide reasonable protection against harmful interference in a residential installation. This equipment generates uses and can radiate radio frequency energy and, if not installed and used in accordance with the instructions, may cause harmful interference to radio or television receptions, which can be determined by turning the equipment off and on, the user is encouraged to try to correct the interference by one or more of the following measure:

- Reorient or relocate the receiving antenna.
- Increase the separation between the equipment and the receiver.
- Connect the equipment into an outlet on a circuit different from that to which the receiver is connected.
- Consult the dealer or an experienced radio/TV technician for help.

Product specifications are subject to change. Stealth Cam is not responsible for any photographic or typographical errors.

May be protected by one or more U.S. Patent numbers: 6,735,387 / 6,768,868 / 6,834,162 / 7,149,422 / 7,308,196 / 7,593,632 / 7,710,457.

LIMITED WARRANTY INFORMATION

Your Stealth Cam scouting camera is covered by a 365 Day Limited Warranty on parts and labor from the date of original purchase, and purchases must be made through an authorized dealer. The warranty covers defects in workmanship and materials. The warranty does not apply to units, which have been damaged or abused intentionally or unintentionally. A purchase from individuals or unauthorized Internet sites such as eBay voids the warranty.

This camera must be registered with Stealth Cam via web, email, or customer service phone support, and accompanied with a receipt from the point of purchase, for any Factory Reset options to be available.

Tampering with or altering the unit will void the warranty. Any unauthorized service will void warranty. A copy of your original sales receipt must be produced for any warranty service and a Return Authorization (RA) number must be obtained from customer service at 877-269-8490 prior to returning product.

Stealth Cam is not responsible for any lost untraceable packages or those without a Return Authorization at the time of return.



MANUEL D'INSTRUCTIONS
MODÈLE : STC-P12

****NOTE IMPORTANTE****

Pour vous assurer que le produit soit utilisé à son plein potentiel, nous vous recommandons de vérifier notre site Web pour obtenir les nouvelles mises à jour du produit. Si votre appareil a des problèmes, veuillez consulter le site pour déterminer si vous utilisez le dernier micrologiciel ou la toute dernière version du logiciel.

SOUTIEN TECHNIQUE

COURRIEL : *stealthcam@gsmorg.com*

Veillez allouer un délai de 48 heures avant d'obtenir une réponse par courriel.

STEALTH CAM LLC

P.O. Box 535189
Grand Prairie, TX 75053-9504

SERVICE À LA CLIENTÈLE

CONTACT & HEURES

Sans frais : 1-877-269-8490

HEURES DU CENTRE D'APPEL

Lun – Vend/8 h – 17 h (HCN)

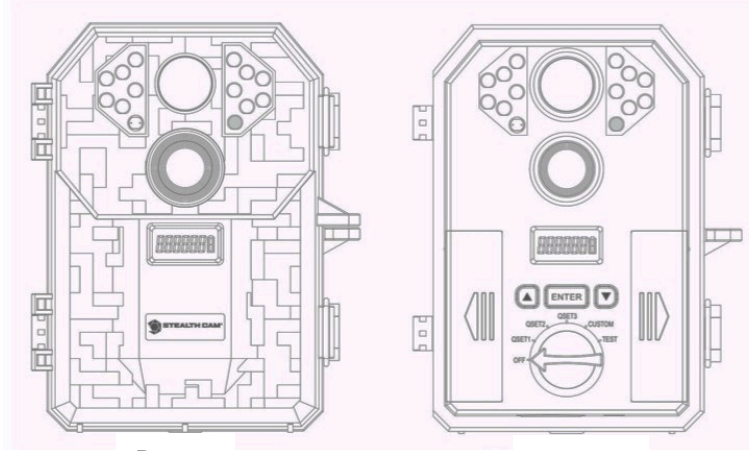
www.stealthcam.com
877-269-8490

Page 23

TABLE DES MATIÈRES

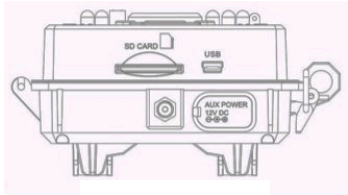
Aperçu de l'appareil photo	33
Guide démarrage rapide	37
Renseignements généraux	38
Réglage de l'appareil photo	39
Réglage rapide 1 (QSET1)	39
Réglage rapide 2 (QSET2)	39
Réglage rapide 3 (QSET3)	39
Paramètres personnalisés	40
Mode Test	50
Carte mémoire	
Installation	50
Formatage	51
Tableau de la capacité de l'image	50
Installation et retrait de la pile	52
Affichage et Suppression des fichiers	53
Définitions	54
Foire aux questions (FAQ)	56
Conformité FCC	58
Renseignements sur la garantie limitée	59

APERÇU DE L'APPAREIL PHOTO

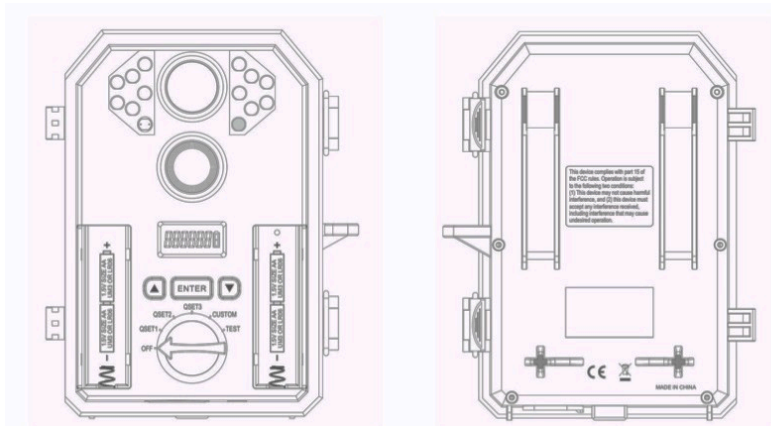


Devant

Devant



Bas



Côté

Arrière

GUIDE DE DÉMARRAGE RAPIDE 7

Options d'alimentation (Sélectionnez-en une)

1. Insérez 8 piles «AA» dans le (2) à l'intérieur des compartiments de batteries.
2. Branchez le Boîtier à piles de 12 V au bas de l'appareil, sous le joint AUX POWER 12V DC (ALIMENTATION AUX 12 V CD).

Mémoire

Insérez une carte mémoire SD de classe 10 propre, entre 2 GB et 32 GB, dans la fente de la carte mémoire. La carte mémoire doit être insérée dans le bon sens jusqu'à ce que le mécanisme de verrouillage à ressort s'engage.

Montage de l'appareil photo

Montez l'appareil photo à l'endroit désiré en utilisant l'étrier de montage, le câble de verrouillage Python, la monture Ball-Joint, ou tout autre mécanisme de montage désiré. Placez l'appareil-photo afin qu'il ne soit pas orienté vers l'est ou vers l'ouest directement, car la force et l'orientation du soleil peuvent fausser les déclencheurs positifs.

Activation

Déplacer le sélecteur de programme à la position d'activation souhaitée:

Position	Défaut Réglages	Détails sur la page
QSET1	6MP – Temporisation 30 sec – 3 Images	9
QSET2	6MP – Temporisation 30 sec – 1 Image	9
QSET3	Vidéo VGA - 10 sec - Temporisation 30 sec	9
Personnalisé	4MP – Temporisation 5 sec – 1 image (Par défaut)	10

RENSEIGNEMENTS GÉNÉRAUX

Conditions de rangement

- Environnement d'exploitation : -10 à 40 deg C (14 à 104 deg F). 20 - 85 % humidité relative, sans condensation.

Instructions pour les soins spéciaux

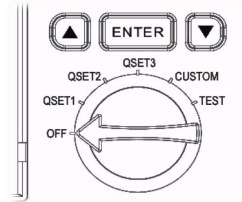
- L'appareil photo est conçu pour résister à l'eau. N'essayez jamais de plonger l'appareil dans l'eau ou dans tout autre liquide. Ce qui pourrait endommager l'appareil et annuler la garantie.
- Ne pas mélanger piles neuves et anciennes.
- Ne mélangez pas les piles alcalines, standard ou rechargeables.
- Utilisez un linge doux pour lentilles pour nettoyer les lentilles. Évitez de toucher les lentilles avec vos doigts.
- Éliminez la saleté ou les taches avec un linge doux trempé dans l'eau ou un détergent neutre. Gardez votre appareil photo dans un environnement sans poussière, frais et sec lorsque vous NE l'utilisez PAS.
- Retirez les piles lorsque vous n'utilisez pas l'appareil photo pendant une période de temps prolongée.
- Évitez de laisser tomber votre appareil photo sur une surface dure.
- Ne démontez pas votre appareil photo.
- Ne mélangez pas les vieilles piles avec les neuves.
- N'accédez pas aux composants internes de l'appareil photo pour un service non autorisé, ce qui pourrait endommager sérieusement l'appareil et ANNULERA la garantie.

REMARQUE : *Cet appareil-photo est un appareil électronique de précision. N'essayez pas de réparer cet appareil photo vous-même, car l'ouverture ou le retrait du couvercle peut vous exposer à des points de voltage dangereux ou à d'autres risques.*

RÉGLAGE DE L'APPAREIL PHOTO

Ce P12 comprend 6 modes distincts d'opération :

Arrêt/QSET1/QSET2/QSET3/Personnalisé/Test. Chaque paramètre est activé en fonction de la position du sélecteur de programme à l'intérieur de l'appareil.



Arrêt – Cette position coupe complètement l'alimentation de l'appareil.

QSET1 – Il s'agit du premier mode de programmation de Réglage rapide (Quick Set). Lorsque l'appareil est changé pour le ce mode, l'écran vous donnera une lecture numérique sur la façon dont l'appareil est préréglé. Il défilera sur l'écran comme suit :

1er - dLY 30 - (Delay) Compte à rebours de 30 secondes à 0sec

2 - rdY - (Prêt) L'appareil photo est dans un état prêt et actif

Avec ce réglage, l'appareil est préréglé pour prendre des photos à une résolution de 6 méga pixels, à 30 secondes de délai entre les activations et prend une rafale de 3 photos à chaque activation du déclencheur.

QSET2 – Il s'agit du deuxième mode de programmation de Réglage rapide (Quick Set). Ce paramètre est préréglé pour prendre des photos à une résolution de 6MP, à 30 secondes de délai et prendre une seule photo par activation du déclencheur.

QSET3 – Il s'agit du troisième mode de programmation de Réglage rapide (Quick Set). Ce paramètre est préréglé pour faire une vidéo VGA avec audio, avoir un deuxième délai de 30 secondes entre les activations, et chaque vidéo durera 10 secondes.

Personnalisé – Il s'agit du cinquième paramètre et est définie par «l'utilisateur». Lorsque l'appareil est changé pour le ce mode, l'écran vous donnera une lecture numérique de ce qui suit:

dLY 30 - (Delay) Compte à rebours de 30 secondes à 0sec

La programmation par défaut du système est réglé pour prendre des photos à une résolution de 4 MP, délai de 5 secondes de délai d'attente et une rafale photo. Le 30 deuxième minuterie compte à rebours vers 0 montrant combien de temps est laissé pour accéder au menu de configuration personnalisée.

Pour apporter des modifications à la programmation, appuyez sur la flèche HAUT ou BAS pour accéder au menu de configuration avant le compte à rebours atteint zéro. En appuyant sur le bouton fléché vous déplacer à l'option de réglage suivante, qui est DATE. En appuyant sur la flèche haut ou bas, vous serez autorisé à faire défiler les différentes options de menu. Une fois que vous trouverez l'option que vous souhaitez modifier appuyez sur la touche ENTER. Appuyez sur la touche ENTRER sur une option cotée de configuration entraînera l'option à clignoter et lui permettre d'être changé. En appuyant de nouveau sur ENTER une fois une option a été changée fixera la nouvelle configuration, l'enregistrer dans la mémoire de l'appareil photo, et retour à la section des options de la configuration du MENU. Une fois que tous les paramètres ont été modifiés pour les paramètres souhaités de l'opérateur de faire défiler le menu jusqu'à ce que vous voyez le mot FIN, puis appuyez sur ENTRER.

Ce qui suit sont les options et les descriptions de la façon de modifier chaque configuration:

DATE - (1.1.14 par défaut) : Ce paramètre est utilisé pour donner de l'appareil photo la date correcte à utiliser sur la barre d'informations des images . Le format est un / DD / configuration de AA MM . Avec la MM (mois) mise à clignoter , utilisez les flèches HAUT et BAS pour être changer le réglage de 1 à 12 . Une fois ce réglage est sur le mois approprié , appuyez sur la touche ENTRER pour passer à la DD (jour) la mise et il se met à clignoter . Utilisez les flèches HAUT et BAS permettra le réglage soit le changement de 1 à 31 . Encore une fois lorsque ce paramètre est sur le jour approprié , appuyez sur la touche ENTRER pour passer à l' AA (année) à régler et il se met à clignoter . Utilisez les flèches HAUT et BAS permettra le réglage à modifier 14-35 . Appuyez sur la touche ENTRER pour accepter toutes les modifications et revenir au menu principal des options.

TEMPS - (12:00 Un défaut) : Ce paramètre est utilisé pour donner la caméra le temps correct à utiliser sur la barre d'informations des images . Le format par défaut est dans une configuration HH / MM / AP . Avec le HH (heures) la mise à clignoter , utilisez les flèches HAUT et BAS pour changer douze heures-23 heures . Une fois ce paramètre est à l'heure appropriée , appuyez sur la touche ENTRER pour passer à la MM (minutes) à régler et il se met à clignoter . Utilisez les flèches HAUT et BAS permettra le réglage soit le changement de 00 à 59 . Encore une fois lorsque ce paramètre est sur la minute échéant , appuyez sur la touche ENTRER pour accepter toutes les modifications et revenir au menu principal des options.

MODE - (PHOTO par défaut): Ce paramètre est utilisé pour indiquer la caméra comment il devrait prendre ses images ou des vidéos. Avec cette option clignote, utilisez la flèche HAUT ou BAS pour vous déplacer entre les options soit photo ou vidéo. Appuyez sur la touche ENTRER pour accepter toutes les modifications et revenir au menu principal des options.

RESOLUTION - (par défaut MED) : Ce paramètre est utilisé pour déterminer la résolution mégapixels de chaque image prise par la caméra . Ce n'est que pour le mode photo . Avec cette option clignote , utilisez la flèche HAUT ou BAS pour vous déplacer entre les options suivantes: 6MP (HI) , 4MP (MED) , 2MP (LO) . Plus la résolution d'une image le plus d'espace du fichier aura sur la carte mémoire SD . Appuyez sur la touche ENTRER pour accepter toutes les modifications et revenir au menu principal des options.

RETARD - (5SEC défaut) : Ce paramètre est utilisé pour déterminer la longueur de temps que la caméra doit attendre avant d' réinitialise son capteur PIR pour la prochaine activation . Avec cette option clignotant , l'utilisation des flèches HAUT et BAS pour choisir le nombre de secondes que vous voulez le retard à régler pour - 120S / 60S / 30S / 15S / 10S / 5S . Une fois ce réglage est sur le moment approprié , appuyez sur la touche ENTRER pour accepter toutes les modifications et revenir au menu principal des options.

RAFALE - (1P défaut) : Ce paramètre est utilisé pour déterminer le nombre de photos de l'appareil photo aura lors de son activation . Ce réglage peut être modifié entre 1 PHOTO jusqu'à 6 photos . Avec cette option clignote , utilisez la flèche HAUT ou BAS pour se déplacer entre la plage de valeurs par incréments de 1 . Appuyez sur la touche ENTRER pour accepter toutes les modifications et revenir au menu principal des options.

VIDEO LONGUEUR - (15 S par défaut) : Ce paramètre est utilisé pour déterminer la longueur de temps , en secondes , de l'enregistrement vidéo . Ce paramètre peut être réglé à 30S / 15S / 5S . Avec cette option clignote , utilisez la flèche HAUT ou BAS pour faire votre choix . Appuyez sur la touche ENTRER pour accepter toutes les modifications et revenir au menu principal des options.

USINE - (NO par défaut) : Ce paramètre est utilisé pour réinitialiser l'appareil à ses réglages d'usine . Avec cette option clignote , en appuyant sur les touches flèche haut ou bas va basculer entre les deux options de NON ou OUI . Lorsque l'option OUI est choisi et le bouton ENTRER est appuyé sur la caméra par défaut toutes les configurations effectuées jusqu'à ce point . Une fois la réinitialisation est terminée , l'écran clignote FAIT et revenir au menu principal des options.

SUPPRIMER LA CARTE SD - (NO par défaut) : Ce paramètre est utilisé pour formater la carte mémoire SD installée . Cela permettra également de supprimer tous les fichiers de la carte . Ceci est toujours recommandé de faire quand une carte neuve est utilisé . Avec cette option clignote , utilisez la flèche HAUT ou BAS pour vous déplacer entre les options Oui ou Non . Lorsque OUI est choisie , vous verrez l'écran dit d'EL --- , alors FAIT . Une fois terminé l'écran sera de retour au menu principal des options.

QUITTER - Ce paramètre vous permet de quitter le menu principal des options et entrez dans le mode prêt à photographier , appuyez simplement sur la touche ENTRER .

TEST - C'est la position du commutateur finale , et est utilisé pour déterminer PIR la zone de couverture du capteur de l'appareil photo . Lors du déplacement de ce paramètre , l'écran affichera TEST. Simplement marcher en arrière en face de la caméra , la lumière s'allume en vert lorsque vous avez passé dans la zone de couverture .

CARTE MÉMOIRE

INSTALLATION

Pour insérer la carte mémoire SD dans l'appareil: d'abord localiser l'emplacement de carte SD sur le fond à l'intérieur du boîtier de l'appareil photo.

Suivant avec l'étiquette de la carte SD tourné vers l'avant de l'appareil photo, insérez la carte SD.


Lorsque la carte a été complètement enfoncée, il y aura une résistance notable que le mécanisme de verrouillage à ressort active de tenir sur la carte SD.

Aucune force ne devrait être nécessaire d'insérer la carte, il devrait se sentir comme si la carte ne sera pas coulisser librement dans la fente, retirez la carte et vérifier l'absence d'obstruction et que est inséré correctement.

TABLEAU DE LA CAPACITÉ DE L'IMAGE

	6MP (HI)	4MP (MID)	2MP (LO)	Vidéo :5sec	Vidéo :10sec	Vidéo :15sec	Vidéo :30sec
SD 2GB	1462	2048	3187	1024	512	310	170
SD 4GB	2924	4096	6374	2048	1024	620	340
SD 8GB	5848	8192	12748	4096	2048	1240	680
SD 16GB	11696	16384	25496	8192	4096	2480	1360
SD 32GB	23392	32768	50992	16384	8192	4960	2720

*Le nombre d'images/de vidéos est approximatif et sujet à changement en fonction de l'enregistrement du sujet.

*REMARQUE : Pour obtenir de meilleurs résultats, utilisez les  cartes portant la désignation sur les cartes 4GB et plus.

INSTALLATION ET RETRAIT DE LA PILE

Pour retirer les piles, ouvrir le boîtier et faites glisser la batterie thte compartiments portes vers l'extérieur. (Voir page 5 et 6)

Nouveau, alcalines ou au lithium, les piles «AA» doivent être insérés à l'orientation, comme indiqué dans le compartiment. Comme avec la plupart des appareils électroniques négatif (-) l'orientation des piles doit se faire contre les ressorts. Défaut d'insérer correctement les piles peut causer des dommages à l'unité.

Dès que les piles sont correctement installées et avec l'orientation correcte, il suffit de glisser les portes du compartiment de la batterie dans sa position verrouillée finale. Si les portes de la batterie ne glisse volontiers dans ce destination, retirez-les et examiner la zone de débris possible qui peut être la cause du problème.

REMARQUE :Le remplacement des pile ne réinitialise pas les configurations actuelles des appareils photos.

****AVERTISSEMENT****

Ne mélangez pas les vieilles piles avec les neuves.

Retirez les piles du compartiment si vous savez que vous n'utilisera pas l'appareil pendant une longue période de temps.

AFFICHAGE ET SUPPRESSION DES IMAGES

La caméra offre deux (2) façons de voir vos images. La première est la connexion directe de l'appareil photo à l'ordinateur via un câble USB (non fourni). Il s'agit d'un mini câble USB vers un câble USB standard (type A/B). Il suffit de mettre l'appareil à la position OFF, et de brancher l'extrémité du mini câble USB à l'appareil photo et l'extrémité du câble USB standard dans l'ordinateur, qui lui enregistrera l'appareil photo comme un appareil de lecture de carte. Une fois la connexion à l'ordinateur établie, les fichiers peuvent être révisés en vous basant sur le logiciel installé sur l'ordinateur. Veuillez vous référer au Guide du propriétaire du logiciel pour obtenir une visualisation exacte des images.

REMARQUE : La prise en charge de cette opération est limitée, mais non exclusive au système d'exploitation Windows Vista et plus, et aussi au Mac OS 10.6 et plus. Tous les systèmes d'exploitation mentionnés en-dessous de ce qui est susmentionné peuvent ne pas être compatibles et provoquer des erreurs de système.

La deuxième option consiste à retirer la carte mémoire SD de l'appareil, et à utiliser un appareil de lecture de carte pour voir les images. Veuillez vous référer au Guide du propriétaire de l'appareil particulier utilisé pour voir les fichiers.

REMARQUE : Les visionneurs carte mémoire SD qui ne sont pas fabriqués par Stealth Cam peuvent créer des conflits sur la carte mémoire. Si tel est le cas et que la carte ne fonctionne plus correctement avec l'appareil, la carte mémoire SD devra être reformatée.

DÉFINITIONS

REFLEX (Sensibilité avancée à faible luminosité) - Vitesse de déclenchement ultra-rapide, en moyenne < 1 seconde avec des temps de récupération programmables aussi bas que 5 secondes.

MATRIX(Technologie de réduction du flou) – La réduction avancée du flou réduit de manière importante les effets du flou, résultant en des images plus claires et plus nettes.

RETINA(Sous-déclencheur 1 seconde) – Performance supérieure en conditions de faible luminosité pour une portée prolongée de nuit.

DÉTECTION MULTI-ZONE - Fournit une couverture plus précise à l'angle et la distance, en maximisant la capacité de déclenchement des caméras.

TRIAD (Technologie 3-en-1)

- **Images fixes haute résolution** : Base sur laquelle les appareils photos d'exploration ont été conçus, les images fixes haute résolution de Stealth Cam d'aujourd'hui (jour et nuit) avec une clarté et des détails inégalés. Couplé avec le mode Rafale (plusieurs expositions par déclenchement).
- **Vidéo HD** : La capacité de Stealth Cam à filmer des vidéos HD avec audio apporte une toute nouvelle dimension à l'exploration en donnant à l'utilisateur un aperçu réel dans le comportement et les vocalisations de l'animal.
- **Délais** : L'option pour régler l'appareil photo pour prendre des photos à intervalles préétablis sur une période de temps sélectionnée (jour ou nuit) est la pierre angulaire derrière la fonction Délais de Stealth Cam. Nouveau pour 2014 est un écraseur de détecteur de mouvement - si un objet pénètre dans la zone de couverture des appareils photos entre les délais, le détecteur écrasera le paramètre, le déclencheur et capturera l'image quand tl retard est supérieure ou égale à une minute.

BURST (Mode Rafale) - Les expositions multiples par déclenchement permettent une séquence d'images capturant les mouvement du sujet.

RÉGLAGE RAPIDE (QUICK SET)(Réglage simple et rapide) - Interrupteurs pré-réglés qui permettent à l'utilisateur de définir littéralement sa came de piste en quelques secondes seulement.

SECURE LOCK (Protection numérique) – Secure Lock offre une protection par mot de passe rendant l'accès à l'appareil photo presque impossible.

DÉFINITIONS (SUITE)

GEO-TAG (GPS Meta-Tagging (à étiquetage)) - Permet l'entrée des coordonnées GPS dans l'appareil. Ces coordonnées ne figurent pas sur l'horodatage, mais plutôt dans les données de l'image de fond. Lorsque l'image étiquetée du GPS est ouverte avec un programme compatible de localisation, tel que des images iPhoto ou Picasa, elles sont tracées sur une carte.

FOIRE AUX QUESTIONS

Q : Mon appareil de jeu pour Mac est-i compatible?

R : *Oui, ce modèle d'appareil photo fonctionne avec la version 10.6 et plus.*

Q : Puis-je utiliser des piles rechargeables dans l'appareil photo?

R : *Les piles rechargeables sont très bien pour l'appareil; les piles alcalines ordinaires conçues pour les appareils électroniques numériques sont recommandées pour obtenir une meilleure performance.*

Q : Lorsque j'utilise une carte mémoire, puis-je voir les photos contenues sur mon appareil photo numérique personnel?

R : *Nous ne recommandons pas de voir les images de la carte mémoire SD prises avec votre appareil de jeu sur un autre appareil photo numérique. Il se peut qu'il y ait des problèmes de compatibilité.*

Q :Vais-je perdre mes images et tous les réglages si les piles meurent?

R : *Les images sont stockées sur votre carte mémoire SD externe afin que vos images demeurent intactes seulement sur votre carte. Cependant, vous devrez réinitialiser vos paramètres.*

Q : Quelles sont mes options si mon appareil a dépassé sa garantie?

R : *Nous avons un programme de garantie dans lequel vous pouvez acheter un appareil de remplacement/reconditionné à 50 % ou plus de rabais (basé sur les prix de détail de l'appareil) de votre ancien appareil.*

FOIRE AUX QUESTIONS (SUITE)

Q : *Puis-je utiliser mon appareil de jeu par une fenêtre ou une porte de verre?*

R : *Le verre peut perturber le faisceau de votre détecteur; nous ne vous conseillons pas d'utiliser l'appareil photo dans ce mode.*

Q : *Dois-je recharger mon ensemble de pile de 12 V au cours des saisons, si je ne l'utilise pas?*

R : *L'ensemble de pile de 12 V doit être rechargé au moins tous les 3 mois, sans vous soucier de l'utiliser ou non, afin de préserver l'état de fonctionnement de la pile contenue dans l'appareil.*

Pour garantir la performance optimale de l'appareil photo Stealth Cam, il vaut mieux toujours vérifier les mises à jour périodiques du logiciel libre.

Pour obtenir les derniers téléchargements du micrologiciel,

veuillez vérifier au <http://www.StealthCam.com/download>

Inscrivez-vous à notre infolettre hebdomadaire pour connaître les mises à jour et les nouvelles reliées aux nouveaux produits.

Cet équipement a été testé et se conforme aux exigences des appareils numériques de classe B, conformément à la partie 15 des Règles FCC. Ces limites sont conçues pour fournir une protection raisonnable contre les interférences nuisibles présentes dans une installation résidentielle. Cet équipement génère les utilisations et peut émettre de l'énergie radio électrique et, s'il n'est pas installé et utilisé conformément aux instructions, il peut causer des interférences nuisibles aux réceptions radio ou télévision, ce qui peut être déterminé en éteignant l'appareil en marche, l'utilisateur est encouragé à essayer de corriger l'interférence selon une ou plusieurs des mesures suivantes :

- Réorienter ou déplacer l'antenne réceptrice.
- Augmenter la séparation entre l'équipement et le récepteur.
- Brancher l'appareil dans une prise sur un circuit différent de celui sur lequel le récepteur est branché.
- Consulter le revendeur ou un technicien radio/TV expérimenté.

Les spécifications du produit sont sujettes à modification. Stealth Cam n'est pas responsable des erreurs photographiques ou typographiques.

Peut être protégé par un ou plusieurs numéros de brevet américain : 6,735,387/ 6,768,868/ 6,834,162/ 7,149,422/ 7,308,196/ 7,593,632/ 7,710,457.

RENSEIGNEMENTS SUR LA GARANTIE LIMITÉE

Votre appareil photo d'exploration Stealth Cam est couverte par une garantie limitée de 365 jours sur les pièces et la main-d'œuvre à partir de la date d'achat initial, et les achats doivent être effectués auprès d'un revendeur autorisé. La garantie couvre les défauts de fabrication et les matériaux. La garantie ne s'applique pas aux appareils ayant été endommagés ou mal utilisés, intentionnellement ou non. Un achat effectué auprès d'une personne ou sur des sites Internet non autorisés, tels qu'eBay, annule la garantie.

Cet appareil photo doit être enregistré auprès de Stealth Cam via Internet, par courriel ou par le biais du soutien téléphonique du service à la clientèle, et accompagné d'un reçu provenant du point de vente, pour obtenir toutes les options de Réinitialisation d'usine disponibles.

Falsifier ou modifier l'appareil annulera la garantie. Toute réparation non autorisée annulera la garantie. Une copie de votre facture originale doit être produite pour tout service de garantie et un numéro d'autorisation de retour (AR) doit être obtenu du service à la clientèle au 877-269-8490 avant de retourner le produit.

Stealth Cam n'est pas responsable de toute perte de colis introuvable ou de ceux ne possédant pas de numéro d'autorisation de retour au moment du retour.