



**FEDERAL SIGNAL**

*Protecting people and our planet*

## **MODEL 27XST**

**INSTALLATION AND SERVICE INSTRUCTIONS FOR MODEL  
27XST FOR USE IN HAZARDOUS LOCATIONS**

## **MODELO 27XST**

**INSTRUCCIONES DE INSTALACIÓN Y SERVICIO PARA LOS  
MODELO 27XST PARA USO EN UBICACIONES PELIGROSAS**

## **MODÈLE 27XST**

**CONSIGNES D'INSTALLATION ET D'ENTRETIEN DES  
MODÈLE 27XST POUR UTILISATION DANS LES  
ENDROITS DANGEREUX**

FEDERAL SIGNAL CORPORATION

Industrial Products Division

2645 Federal Signal Drive

University Park, IL 60484-3167

Phone: +1 877 289 3246 • +1 708-534-4756

Fax: +1 708 534 4887

[www.federal-signal-indust.com](http://www.federal-signal-indust.com) • [www.fs-isys.com](http://www.fs-isys.com)

25500046

Rev. A2 1014

Printed in U.S.A.

Impreso en los EE. UU.

Imprimé aux États-Unis

## INSTALLATION AND SERVICE INSTRUCTIONS FOR FEDERAL MODEL 27XST FOR USE IN HAZARDOUS LOCATIONS

### SAFETY MESSAGE TO INSTALLERS, USERS AND MAINTENANCE PERSONNEL

It is important to follow all instructions shipped with this product. This device is to be installed by a trained electrician who is thoroughly familiar with the National Electrical Code and/or Canadian Electrical Code and will follow the NEC and/or CEC Guidelines as well as local codes.

This device should be considered a part of the warning system and not the entire warning system. The selection of the mounting location for the device, its controls and the routing of the wiring are to be accomplished under the direction of the facilities engineer and the safety engineer. In addition, listed below are some other important safety instructions and precautions you should follow:

- Read and understand all instructions before installing or operating this equipment.
- Never alter the unit in any manner. Safety may be compromised if additional openings or other alterations are made to the unit.
- Do not connect the equipment when the circuit is powered or if the location is not known to be free of concentrations of ignitable concentrations.
- After installation, ensure that the set screw and threaded joints are properly tightened.
- After installation, test the light system to ensure that it operating properly.
- After testing is complete, provide a copy of this instruction sheet to all operating personnel.
- Establish a procedure to routinely check the light installation for integrity and proper operation.
- Keep the unit tightly closed when in operation.

Failure to follow all safety precautions and instructions may result in property damage, serious injury, or death.

### **I. GENERAL**

This equipment is suitable for use in Class I, Div. I, Groups C and D; Class I, Div. 2, Groups A, B, C and D; Class II, Div. 1, Groups E, F, and G; Class III, or non-hazardous locations only.

The Model 27XST strobe light is a visual signaling device for hazardous locations and provides about 75 to 80 high-intensity flashes per minute. The effective candlepower (ECP) of the light is 850 candelas (clear dome). The unit is UL and CSA listed for indoor and outdoor use and has been found to comply with Type 4X (watertight and corrosion resistant) enclosure requirements and Marine Visual Signal Device, Outside Type (saltwater).



**EXPLOSION HAZARD—This light fixture is not backward compatible with older products. Do not use this light fixture with the Series A versions of model CMXC, CMXC-R, PMXC, PMXC-R, WMXC, or WMXC-R mounting accessories. Failure to follow this warning may result in personal injury or death.**

## II. UNPACKING



**EXPLOSION HAZARD — Damaged glass domes can lead to explosions, which could result in serious injury or death. Replace damaged domes.**

After unpacking the unit, examine it for damage that may have occurred in transit. If the equipment has been damaged, do not attempt to install or operate the unit. File a claim immediately with the carrier, stating the extent of damage. Carefully check all envelopes, shipping labels and tags before removing or destroying them.

## III. INSTALLATION

### NOTE

**The glass dome is part of the explosion proof housing. In applications where the dome requires added protection, a separately purchased metal guard (Part No. DGXC-SB) can be readily attached.**

### NOTE

**Recommended mounting position of this light is in a vertical orientation with the dome facing down. The pendant mount has provisions for mounting to 3/4" pipe.**

The instructions below are for lights using the pendant mount option (PMXC-SB). Refer to instruction manual 25500050 for the ceiling mount (CMXC-SB) or wall mount option (WMXC-SB).

Wiring must comply with the National Electrical Code or Canadian Electrical Code and the local authority having jurisdiction

For marine applications, all wiring (including supply wire) must be stranded wire and meet the USCG (CFR46) Section (110-113).

The Model 27XST strobe light should be installed per the NEC or CEC, STATE and LOCAL CODES. Alternate installation locations and/or orientations should only be performed with the approval of the authority having jurisdiction. In addition, they can be mounted using an optional ceiling mount or an optional wall mount.

To install the 27XST on 3/4" N.P.T. threaded pipe:

A. Ensure that the mating threads are clean. Thread the pendant mount onto the 3/4" pipe and secure with the set screw (see Figure 1).

B. Remove the terminal block from the pendant mount by loosening the two mount screws.

**▲WARNING**

**SHOCK HAZARD — To avoid electrical shock hazards, do not connect wires when power is applied.**

C. Connect the supply wires to the terminal block as follows (see Figure 2):

1. DC Models

**CAUTION**

**REVERSE POLARITY/MISWIRING — The DC units are polarity sensitive, and MAY BE DAMAGED by incorrect electrical hookup. When connecting the DC strobe unit to the voltage supply lines, POLARITY MUST BE OBSERVED. In addition, damage will result if the voltage rating of the model is exceeded.**

a. Connect the positive (+) power source wire to the terminal block screw marked “L+.” Connect the negative (-) power source wire to the terminal block screw marked “N-.”

b. If required by local building codes, connect the earth ground wire to the green screw in the pendant mount.

2. AC Models

**▲WARNING**

**SHOCK HAZARD — To reduce shock hazards during maintenance POLARITY MUST BE OBSERVED when connecting AC units to the power source.**

**NOTE**

The 120 Vac strobe units are designed to operate on both 50 Hz and 60 Hz electrical power. Special modifications are NOT required for the two different AC line frequencies.

a. Connect the phase (hot) power source wire to the terminal block screw marked “L+.” Connect the common (neutral) power source wire to the terminal block screw marked “N-.”

b. If required by local building codes, connect the earth ground wire to the screw in the fixture mount.

D. Replace the terminal block in the pendant mount and secure with the previously loosened mounting screws.

E. To prevent galling and ease future maintenance, ensure that the threads on the pendant mount are clean and lubricated with a corrosion-inhibiting grease such as petrolatum or soap-thickened mineral oils. Thread the fixture clockwise into the mount and tighten it securely.

#### IV. MAINTENANCE

**EXPLOSION HAZARD — Do not disconnect the equipment while the circuit is live or unless the area is known to be free of ignitable concentrations.**

**EXPLOSION HAZARD — Substitution of any component may impair suitability for Class I, Division 2.**

#### SAFETY MESSAGE TO MAINTENANCE PERSONNEL

Listed below are some important safety instructions and precautions you should follow:

- Read and understand all instructions before operating this system.
- Any maintenance to the light system must be done with the power turned off.
- Any maintenance to the light system must be performed by a trained electrician in accordance with all applicable national and local codes in the country of use.
- Never alter the unit in any manner. The safety of the unit may be compromised if additional openings or other alterations are made.
- The nameplate should not be obscured. It contains cautionary and/or other information of importance to maintenance personnel. Ensure the nameplate remains readable if the housing's exterior is painted.
- If the glass dome is damaged in any way, it **MUST** be replaced.
- After performing any maintenance, test the light system to ensure that it is operating properly.

Failure to follow all safety precautions and instructions may result in property damage, serious injury, or death.

##### A. Flash Tube Replacement

As strobe lights are used, the flash tubes begin to darken, causing the light output to decrease. This darkening is characteristic of flash tubes. The darkening will begin near the base of the tube and progress upward. In addition, as flash tubes age, they may have a tendency to misfire (not fire periodically).

After extended operation, occasionally check for flash tube degradation. Should the flash tube misfire, have a noticeable decrease in light output, glow continuously or darken to a point beyond that shown in Figure 3, it should be replaced.



**SHOCK HAZARD — Strobe and HID light systems generate high voltages. Disconnect power from the strobe system and wait at least 5 minutes before opening the unit. Do not apply power to the unit while the unit is open. Failure to follow this warning could result in serious injury or death.**

**▲WARNING**

**HANDLE STROBE LAMPS CAREFULLY** — Strobe lamps get hot enough to burn you. Always allow these lamps to cool before handling them. Strobe lamps are also pressurized and, if broken, can result in flying glass. Failure to follow this warning may result in personal injury.

**▲WARNING**

**DO NOT TOUCH LAMP WITH BARE HANDS** — Oil deposits on the glass portion of the strobe lamp can cause the glass to fracture during use. If you are unsure if the glass has been handled without gloves, clean the glass using a soft cloth and isopropyl alcohol before installing the lamp.

**▲WARNING**

**EXPLOSION HAZARD** — The effectiveness of the explosion-proof enclosure must be maintained. Do not damage the dome or threads while disassembling or reassembling unit. Lubricated joints exposed for long periods of time may attract small particles of dirt or other foreign materials. Body and cover joints should be reassembled immediately.

To change the flash tube, proceed as follows:

1. Disconnect power.
2. Remove the glass dome assembly from the main casting by rotating the dome assembly counterclockwise.
3. Loosen the lens-clip screw (1–3 turns) and rotate the clip 90°. Remove the lens to expose the flash tube.
4. With the lens removed, use a rocking motion and gently remove the tube. Replace the flash tube with the appropriate replacement part listed in the replacement parts list in paragraph IV. F. Replacement Parts.
5. Place the lens in position under two hold-down tabs. Rotate the clip into place on the lip of dome.
6. Reassemble the unit by threading the glass dome assembly into the main housing until tight.

**B. Fuse Replacement for 120 Vac Units**

To replace the fuse:

1. Disconnect power.
2. Remove the glass dome assembly from the main casting by rotating the dome assembly counterclockwise.
3. The fuse is positioned on the component side of the PC board mounted in fuse clips. For easy removal, pry one end of the fuse out of the clip with an insulated-handled screwdriver.

4. Replace the fuse with one of the same sizes and rating only. The 120 Vac units use a 1 ampere, 250 volt, slow blow GMC fuse (Littlefuse Part No. 0313001-HXP or equal).

5. Reassemble the unit by threading the glass dome assembly into the main housing until tight.

C. Cleaning the Enclosure

**NOTE**

**Maintenance procedures sometime require fixtures to be hosed down for good housekeeping. The circuit must be turned OFF and the dome MUST be allowed to cool to ambient room temperature before cleaning.**

The fixture should be cleaned periodically to maintain maximum light output. Only mild, non-abrasive cleaning agents should be used. The glass dome should be regularly inspected for scratches and chips, and if damaged, must be replaced.

D. Lubrication

The threaded joint on the pendant mount should be kept well lubricated with a corrosion-inhibiting grease such as petrolatum or soap-thickened mineral oils. If corrosive products have accumulated on explosion-proof joints and cannot readily be removed with solvents, the parts should be discarded and replaced.



**EXPLOSION HAZARD — Never use an abrasive material or file to remove corrosive products from threaded surfaces. In extremely corrosive locations, equipment should be periodically inspected to guard against unusual deterioration and possible porosity, since this may weaken the enclosure structurally.**

E. Service

Federal Signal will service your equipment and provide technical assistance with any problems that cannot be handled locally by Federal Signal's Distributor or Manufacturer Representative.

If any unit returned to Federal Signal for service, inspection, or repair must be accompanied by a Return Material Authorization number with a brief explanation of the service being requested and/or the nature of the malfunction. This R.M.A. can be obtained from the local Federal Signal Distributor or Manufacturer's Representative.

Address all communications and shipments to:

FEDERAL SIGNAL CORPORATION  
Industrial Products Division  
2645 Federal Signal Drive  
University Park, IL 60484-3167  
Phone: +1 877 289 3246 • +1 708-534-4756  
Fax: +1 708 534 4887  
[www.federalsignal-indust.com](http://www.federalsignal-indust.com)

F. Replacement Parts

Description	Part Number
Fresnel Lens, Clear	K8550C095
Fresnel Lens, Blue	K8550C095-01
Fresnel Lens, Amber	K8550C095-02
Fresnel Lens, Red	K8550C095-03
Fresnel Lens, Green	K8550C095-04
Fresnel Lens, Magenta	K8550C095-07
Flash Tube	K8107159
Mechanism, 24 Vdc	K8436107-03
Mechanism, 120 Vac	K8436107-02
Glass Dome Assembly	K8436147
PCBA, Low In-Rush Board	K2001918-01

G. Optional Accessories

Description	Model
Dome Guard	DGXC-SB
Ceiling Mount	CMXC-SB
Wall Mount	WMXC-SB
Pendant Mount	PMXC-SB

Table 1. Electrical Ratings.

Operational Voltage	24V dc	120V ac
Flashes/minute	75	80
Maximum Operating Current, A	1.9 A	1.14 A
Frequency, Hz	DC	50/60



# INSTRUCCIONES DE INSTALACIÓN Y SERVICIO PARA LOS MODELO 27XST PARA USO EN UBICACIONES PELIGROSAS

## MENSAJE DE SEGURIDAD PARA INSTALADORES

Es importante seguir todas las instrucciones incluidas con este producto. Este dispositivo debe ser instalado por un electricista calificado familiarizado con el Código Eléctrico Nacional (NEC) y/o el Código Eléctrico de Canadá (CEC), y deberá cumplir ambas normas, además de los códigos locales.

La selección del lugar de montaje de este aparato, sus controles y la instalación del cable de conexiones, deberán ser efectuados bajo la dirección del ingeniero de facilidades y el ingeniero de seguridad. A continuación describimos otras instrucciones de seguridad importantes y precauciones que se deberán seguir:

- Lea y entienda todas las instrucciones antes de instalar o de operar el equipo.
- Jamás modifique la unidad en ninguna forma. Puede comprometerse la seguridad si se realizan aberturas adicionales u otras modificaciones a la unidad.
- No conecte el equipo mientras el circuito esté activado o salvo que se sepa que el área está libre de concentraciones combustibles
- Después de la instalación asegúrese que los tornillos de seguridad y las uniones de roscas han sido apretadas adecuadamente.
- Después de la instalación, pruebe el sistema de luz para asegurarse que está operando apropiadamente.
- Después de que termine las pruebas, proporcione una copia de la hoja de instrucciones, a todo el personal de operaciones.
- Establezca un procedimiento para rutinariamente verificar la activación y operación adecuadas del sistema de luz.
- Mantenga la unidad herméticamente cerrada cuando durante la operación.

Fallas al seguir estas instrucciones y precauciones de seguridad pueden resultar en daños a la propiedad, lesiones serias o muerte.

### I. GENERAL

Este equipo es adecuado para su uso en clase I, div. I, grupos C y D; Clase I, División 2, grupos A, B, C y D; Clase II, División 1, grupos E, F y G; Clase III, o lugares no peligrosos solamente.

El modelo de luz estroboscópica 27XST es un dispositivo de señalización visual para ubicaciones peligrosas y proporciona cerca de 75–80 destellos de alta intensidad por minuto. La intensidad lumínica efectiva (ECP) de la luz es de 850 candelas (domo transparente) La unidad está certificada por UL y CSA para empleo en interiores y exteriores y cumple con los requisitos de compartimientos tipo 4X (estancos y resistentes a la corrosión) y de Dispositivos de señalización visual marina tipo exterior (agua salada).

**▲ ADVERTENCIA**

**PELIGRO DE EXPLOSIÓN** — Esta lámpara no es compatible con productos anteriores. No utilice este aparato de luz con las versiones de la serie de accesorios de montaje de CMXC, CMXC-R, PMXC, PMXC-R, WMXC o WMXC-R modelo. Fallas al seguir esta advertencia de seguridad puede resultar en daños a la propiedad, lesiones serias o muerte a usted o terceras personas.

**II. DESEMPAQUE**

**▲ ADVERTENCIA**

**PELIGRO DE EXPLOSIÓN** — Domos de vidrio dañados pueden ocasionar explosiones que pueden resultar en lesiones serias o muerte. Domos dañados deben ser reemplazados.

Después de desempacar el Modelo 27XST, examínelo para detectar posibles daños que pudieran haber ocurrido durante el transporte. Si el equipo ha sido dañado ni trate de instalarlo ni de operarlo. Haga un reclamo inmediato con el transportador declarando los daños encontrados. Cuidadosamente verifique todas las marcas y documentos de embarque antes de removerlos o destruirlos.

**III. INSTALACION**

**NOTA**

El domo de vidrio es parte de la caja a prueba de explosión. En aplicaciones donde el domo requiere protección adicional, se puede comprar adicionalmente, una protección de metal (Parte número DGXC-SB) que viene lista para instalarse.

**NOTA**

La posición de montaje que se recomienda para esta luz es con orientación vertical y el domo hacia abajo. El montaje de la unidad viene con provisiones para montarla en tubería de 3/4".

Las instrucciones siguientes son para las luces utilizando un montaje colgante opción (PMXC-SB). Consulte el manual de instrucciones para el 25500050 opción (WMXC-SB) instalación de techo (CMXC-SB) o montaje en pared.

El cableado debe cumplir con el Código eléctrico nacional o el Código eléctrico de Canadá y la autoridad local que tenga jurisdicción.

Para aplicaciones marinas, todo el cableado (incluyendo el cable de alimentación) deberá ser alambre y también deberá cumplir con los requisitos de USCG (CFR46 sección (110-113)).

El modelo estroboscópico 27XST debe instalarse de acuerdo con los CÓDIGOS NEC o CEC, ESTATALES y LOCALES. Sólo debe realizarse una ubicación u orientación alternativa con la aprobación de la autoridad correspondiente. Además, puede montarse usando un soporte de techo o de pared opcionales.

Para instalar en un tubo roscado de 3/4 pulg. N.P.T, proceda de la siguiente forma:

A. Ver figura 1. Asegúrese que las uniones y las roscas están limpias. Atornille el montaje de la unidad en la tubería de 3/4" y sujétela con tornillos de presión.

B. Remueva el bloque de la terminal del montaje de la unidad, aflojando los dos tornillos de montaje.

**▲ ADVERTENCIA**

**PELIGRO DE CHOQUE ELÉCTRICO — Para evitar peligro de choque eléctrico no conecte los cables cuando está encendido el al sistema.**

C. Conecte los cables de suministro al bloque de terminales de la siguiente forma (vea la figura 2):

1. Luz de CC

**ATENCIÓN**

**Las unidades de VCC son sensitivas a la polaridad, y PUEDEN SER DAÑADAS si se conectan incorrectamente. Cuando conecte la luz de destello de 24 VCC a la línea de alimentación. DEBE OBSERVAR LA POLARIDAD CORRECTA. También puede dañar la unidad si el rango de voltaje de un modelo en particular se exceda.**

a. Conecte el cable de alimentación positivo (+) al tornillo del bloque de terminal marcado "L+." Conecte el cable de alimentación negativo (-) al tornillo del bloque de terminal marcado "N-."

b. Si los códigos de construcción locales lo requieren, conecte el cable de tierra al tornillo verde del montaje de la unidad.

2. Luz de CA

**▲ ADVERTENCIA**

**PELIGRO DE CHOQUE ELÉCTRICO — Para reducir la posibilidad de choques eléctricos durante mantenimiento, OBSERVE LA POLARIDAD CORRECTA cuando conecte la unidad de CA a la fuente de alimentación.**

**NOTA**

Los 120 VCA unidades de luz estroboscópica están diseñadas para funcionar con energía eléctrica tanto de 50 Hz y 60 Hz. Modificaciones especiales NO SON necesarios para las dos frecuencias diferentes de línea AC.

a. Conecte el cable de alimentación del lado fase al tornillo del bloque de la terminal marcado "L." Conecte el cable de alimentación del lado común (neutro) al tornillo del bloque de la terminal marcado "N-."

b. Si los códigos de construcción locales lo requieren, conecte el cable a tierra al tornillo verde del montaje de la unidad.

D. Reemplace el bloque de la terminal en el montaje de la unidad y sujétela con los tornillos previamente aflojados.

E. Para evitar el desgarramiento y facilitar el mantenimiento futuro, asegúrese de que el empalme roscado de la cubierta está limpio y lubricado con una grasa anticorrosiva como petrolato y aceites minerales saponificados.

#### IV. MANTENIMIENTO

##### ADVERTENCIA

**PELIGRO DE CHOQUE ELÉCTRICO** — Existen altos voltajes en el conjunto de iluminación después de desconectar la energía. Para evitar una descarga eléctrica, desconecte el dispositivo del circuito de suministro y espere por lo menos 5 minutos antes de abrirlo.

##### ADVERTENCIA

**PELIGRO DE EXPLOSION** — No desconecte el equipo mientras el circuito esté activado o salvo que se sepa que el área está libre de concentraciones combustibles.

##### ADVERTENCIA

**PELIGRO DE EXPLOSION** — La sustitución de cualquier componente podría menoscabar la conformabilidad a la Clase I, División 2.

##### MENSAJE DE SEGURIDAD PARA EL PERSONAL DE MANTENIMIENTO

A continuación describimos algunas instrucciones de seguridad importantes y precauciones que se deberán seguir:

- Lea y entienda todas las instrucciones antes de operar el sistema.
- El sistema de luz deberá estar apagado antes de realizar cualquier actividad de mantenimiento.
- Cualquier actividad de mantenimiento deberá ser realizada por un electricista capacitado y de acuerdo a los códigos locales y el National Electrical Code–NEC.
- No efectúe alteraciones de ningún tipo en la unidad misma. Puede poner en riesgo la seguridad de las áreas clasificadas como peligrosas si añade áreas de acceso o realiza alguna otra alteración en unidades diseñadas para usarse en ciertas áreas específicas.
- La placa de identificación puede contener notas de precaución o alguna otra información importante, para el personal de mantenimiento. Asegúrese que siempre permanece legible, especialmente cuando pinte el exterior del equipo.
- Si el domo tiene cualquier tipo de daño, DEBE ser reemplazado.
- Después de realizar cualquier trabajo de mantenimiento, pruebe el sistema de luz para asegurarse que esté funcionando correctamente.

Fallas al seguir las precauciones e instrucciones de seguridad pueden resultar en daños a la propiedad, lesiones severas o muerte.

#### A. Reemplazo del tubo de destello.

Ya que se utilizan luces estroboscópicas, los tubos de destello comienzan a oscurecerse, causando que disminuya la salida de luz. Este oscurecimiento es típico de los tubos de destello. El oscurecimiento comenzará cerca de la base del tubo y avanzará hacia arriba. Además, con el tiempo, los tubos de destello tienden a presentar fallas de encendido (no encienden periódicamente)

Después de una operación prolongada, verifique de vez en cuando si hay degradación del tubo de destello. Si el tubo tiene fallas de encendido, si presenta una disminución evidente de la salida de luz, si brilla continuamente o si se oscurece más del punto indicado en la figura 3, debe ser reemplazado.

### **⚠ ADVERTENCIA**

**PELIGRO DE CHOQUE ELÉCTRICO — Estroboscópico y sistemas de luz HID generan altos voltajes. Desconecte la alimentación del sistema de luz estroboscópica y espere al menos 5 minutos antes de abrir la unidad. Aplicar energía a la unidad mientras la unidad esté abierta. No seguir esta advertencia podría resultar en lesiones graves o la muerte.**

### **⚠ ADVERTENCIA**

**LÁMPARAS ESTROBOSCÓPICAS MANEJAR CUIDADOSAMENTE — Lámparas estroboscópicas Haz lo suficientemente calientes como para quemar. Siempre permita que estas lámparas se enfríen antes de manipularlos. Lámparas de luz estroboscópica también están presurizadas y, si se rompe, pueden resultar en vuelo vidrio. El incumplimiento de esta advertencia puede resultar en lesiones personales.**

### **⚠ ADVERTENCIA**

**HACER NO TOQUE LA LÁMPARA CON MANOS — Depósitos de aceite en la parte de vidrio de la lámpara estroboscópica pueden causar el artefacto de vidrio a romperse durante el uso. Si no está seguro si el vidrio ha sido manipulado sin guantes, limpie el vidrio con un paño suave y alcohol isopropílico antes de instalar la lámpara.**

### **⚠ ADVERTENCIA**

**PELIGRO DE EXPLOSIÓN — Debe mantenerse la efectividad de la caja a prueba de explosión. No dañe la pantalla ni la parte roscada al desensamblar o reensamblar la unidad. Las uniones lubricadas expuestas por largos períodos de tiempo pueden atraer pequeñas partículas de suciedad u otras materias extrañas. Las uniones del cuerpo y la cubierta deben ser reensambladas inmediatamente.**

Vea la figura 3. Para cambiar el tubo de destello, proceda de la manera siguiente:

1. Desconecte la alimentación.
2. Retire el conjunto de domo de cristal de la carcasa principal al girar el conjunto de domo antihorario.
3. Afloje el tornillo de la clavija de la lente (1 a 3 vueltas) y gire la clavija 90°. Quite el domo para dejar expuesto el tubo de destello.

4. Con la lente retirada, use un movimiento de oscilación y retire el tubo con suavidad. Reemplace el tubo destellante con la pieza de repuesto indicada en la lista de piezas de repuesto en el párrafo IV.F. Piezas de repuesto.

5. Coloque la lente en su lugar debajo de las aletas de sujeción inferiores (2). Gire la clavija a su lugar en el reborde del domo.

6. Volver a montar la unidad atornillando el conjunto de domo a la carcasa principal hasta que quede apretado.

#### B. Reemplazo de fusible para unidades de 120 VCA.

Para reemplazar el fusible proceda como se describe a continuación:

1. Desconecte la alimentación.

2. Retire el conjunto de domo de cristal de la carcasa principal al girar el conjunto de domo antihorario.

3. El fusible está ubicado del lado de los componentes de tablero de circuito impreso y está montado en unos clips. Para facilitar su desarmado, haga palanca con un destornillador de mango aislado y mueva el fusible hacia afuera del clip.

4. Sólo reemplace el fusible con uno de igual tamaño y capacidad. Las unidades de 120 VCA usan un fusible de acción retardada GMC de 1 amperio, 250 voltios, (pieza de Littlefuse N° 0313001-HXP o igual).

5. Volver a montar la unidad atornillando el conjunto de domo a la carcasa principal hasta que quede apretado.

#### C. Limpieza de la Unidad



**Procedimientos de mantenimiento requieren que el equipo se limpie algunas veces con una manguera. El circuito debe estar apagado y el ensamble de domo debe dejar enfriarse a temperatura ambiente antes de limpiarla.**

El ensamble debe ser limpiado periódicamente para mantener la máxima intensidad de luz disponible. Utilice únicamente limpiadores suaves y no abrasivos. La fuerza de agua de una manguera no debe exceder 65 Galones por minuto, con un diámetro de 1" y a una distancia de 10 pies. El vidrio del domo debe ser inspeccionado regularmente por rayaduras o picaduras. Si se encuentran estos daños, debe ser reemplazado el domo.

#### D. Lubricación

El empalme roscado de la cubierta debe lubricarse correctamente con una grasa anticorrosiva como petrolato y aceites minerales saponificados. Si se acumulan productos corrosivos en los empalmes a prueba de explosiones y no se pueden remover fácilmente con solventes, las piezas deben descartarse y reemplazarse.

**▲ ADVERTENCIA**

**PELIGRO DE EXPLOSIÓN — Nunca use ninguna materia abrasiva ni una lima para remover productos corrosivos de la superficie de las roscas. En lugares extremadamente corrosivos, el equipo debe ser inspeccionado periódicamente para protegerlo contra cualquier deterioro o posible porosidad, ya que estos pueden debilitar el ensamble estructuralmente.**

**E. Servicio**

La fábrica de Federal Signal dará servicio a su equipo o proporcionará asistencia técnica en cualquier problema que no pueda ser manejado localmente, con satisfacción y rapidez.

Cualquier unidad devuelta para ajuste o reparación, será aceptada por Federal, será aceptada sólo si antecede una comunicación por escrito o telefónicamente de su despacho. Esta notificación debe indicar claramente el servicio solicitado y la información pertinente, relacionada con la naturaleza de la falla y si es posible las causas que la originaron.

Envíe todas sus comunicaciones y embarques a:

FEDERAL SIGNAL CORPORATION  
Industrial Systems  
Service Department  
Phone: +1 877 289 3246 • +1 708-534-4756  
Fax: +1 708 534 4887  
www.federal-signal-indust.com

**F. Partes de Reemplazo**

Lente, Fresnel, Transparente	K8550C095
Lente, Fresnel, Azul	K8550C095-01
Lente, Fresnel, Ambar	K8550C095-02
Lente, Fresnel, Rojo	K8550C095-03
Lente, Fresnel, Violeta	K8550C095-07
Tubo estroboscópico (Serie C)	K8422A420
Tubo estroboscópico (Serie C1)	K8107159
Mecanismo, 24 VCC	K8436107-03
Mecanismo, 120 VCA	K8436107-02
Ensamble de domo	K8436147
PCBA, tablero de baja corriente inicial	K2001918-01

**G. Accesorios**

Descripción	Modelo
Protección del domo	DGXC-SB
Montaje de techo	CMXC-SB
Montaje de pared	WMXC-SB
Montaje de colgante	PMXC-SB

*Tabla 1. Valores eléctricos nominales.*

Voltaje operacional	24 voltios. CD	120 voltios. CA
Destellos / minuto	75	80
Corriente de funcionamiento-máxima, A	1,9 A	1,14 A
Frecuencia, Hz	DC	50/60

## CONSIGNES D'INSTALLATION ET D'ENTRETIEN DES MODÈLE 27XST POUR UTILISATION DANS LES ENDROITS DANGEREUX

### MESSAGE DE SÉCURITÉ AUX INSTALLATEURS

Il est important de suivre toutes les consignes livrées avec ce produit. Cet appareil doit être installé par un maître électricien familier avec le National Electrical Code (le code national de l'électricité) et/ou le code canadien de l'électricité ; il devra suivre les lignes directrices du NEC et/ou le CCE autant que celles des codes locaux.

Le choix de l'endroit de montage du dispositif, de ses commandes et du passage des câbles doit être effectué sous la direction de l'ingénieur de sécurité et de l'ingénieur des services électriques. De plus, sont énumérées ci-dessous quelques autres instructions et précautions de sécurité importantes que vous devez suivre:

- Lire et comprendre toutes les instructions avant d'installer ou d'utiliser ce matériel.
- Ne pas altérer l'appareil de quelque manière que ce soit. Votre sécurité pourrait être compromise si de nouvelles ouvertures ou autres modifications étaient pratiquées sur l'appareil.
- Ne pas brancher l'appareil lorsque le circuit est sous tension ni si l'endroit n'est pas notoirement libre de concentrations de produits inflammables.
- Après installation, assurez-vous que la vis de réglage est bien serrée et que les joints filetés sont bien engagés.
- Après installation, assurez-vous que toutes les vis de fixation et les joints filetés sont bien serrés.
- Après fin de l'essai, donnez un exemplaire de cette feuille d'instructions à tout le personnel utilisateur.
- Établissez une procédure pour vérifier de manière systématique l'installation d'éclairage concernant son intégrité et son fonctionnement correct.
- Garder l'appareil scellé lorsqu'il est en opération.

Si on ne respecte pas ces précautions de sécurité, il peut en résulter des dommages aux biens, des blessures graves ou mortelles.

### I. GÉNÉRAL

Cet équipement est adapté à une utilisation en Classe I, Div. I, C et D, Classe I, Division 2, Groupes A, B, C et D, Classe II, Division 1, Groupes E, F et G, Classe III, ou emplacements non dangereux uniquement.

La lampe stroboscopique modèle 27XST est un dispositif de signalisation visuel pour emplacements dangereux, qui apporte environ 75–80 éclairs de haute intensité par minute. L'intensité de lumière efficace de la lampe est de 850 candelas (dôme transparent). L'unité est certifiée UL et CSA pour un usage intérieur et extérieur et est conforme aux exigences d'enceinte de Type 4X (étanche et résistant à la corrosion) et Dispositif de signalisation visuel marin, type extérieur (eau de mer).



## II. DÉBALLAGE

### **▲ AVERTISSEMENT**

**RISQUE D'EXPLOSION — Des dômes endommagés peuvent conduire à des explosions résultant en blessures graves ou mortelles. Remplacer les dômes endommagés.**

Après déballage du Modèle 27XST, l'examiner pour détecter des dommages pouvant avoir eu lieu pendant le transport. Si le matériel a été endommagé, n'essayez pas de l'installer ou de l'utiliser. Déposez immédiatement une réclamation auprès du transporteur en indiquant les dommages. Vérifiez soigneusement toutes les enveloppes, les étiquettes d'expédition et les étiquettes volantes avant de les enlever ou de les détruire.

## III. INSTALLATION

### **REMARQUE**

**Le dôme en verre fait partie du carter anti-explosion. Dans les applications où le dôme en verre nécessite une protection supplémentaire, une protection métallique achetée séparément (pièce à DGXC-SB) peut être facilement attachée.**

### **REMARQUE**

**La position recommandée pour le montage de cette lampe est dans le sens vertical avec le dôme face en bas. La monture a des dispositions pour montage sur tuyau de 3/4".**

Les instructions ci-dessous pour les feux d'utiliser le support pendentif l'option (PMXC-SB). Reportez-vous au manuel d'instructions 25500050 pour le l'option (WMXC-SB) de montage au plafond (CMXC-SB) ou fixation murale.

Le câblage doit être conforme aux normes du National Electrical Code ou du Canadian Electrical Code et aux normes des autorités locales ayant juridiction.

Pour les applications marines, tout le câblage (y compris les fils d'alimentation) doivent être en fil torsadé et répondre à la section USCG (CFR46) (110-113).

Les lampes stroboscopiques 27XST doivent être installées selon les codes NEC ou CEC, nationaux et locaux. Les orientations et/ou emplacements différents ne doivent être exécutés qu'après approbation préalable de l'autorité compétente. En outre, elles peuvent être montées à l'aide d'un support de plafond ou d'un support mural facultatif.

Pour installer le tube fileté NPT, effectuez les procédures ci-dessous :

A. Voir figure 1. Assurez-vous que les filets correspondants sont propres. Vissez la monture sur le tuyau de 3/4" et fixez avec la vis de fixation.

B. Démontez le bornier de la monture en desserrant les deux vis de montage.

### **▲ AVERTISSEMENT**

**RISQUE DE CHOC ÉLECTRIQUE — Pour éviter les risques de choc électrique, ne pas connecter les fils si la tension n'est pas coupée.**

C. Branchez les câbles d'alimentation au bloc de jonction comme suit (voir figure 2) :

1. Lampe CC

**ATENCIÓN**

**Les appareils en courant continu sont sensibles à la polarité et PEUVENT ÊTRE ENDOMMAGÉS si on connecte mal électriquement. Lors de la connexion de l'appareil stroboscopique en 24V CC aux câbles d'alimentation, LA POLARITÉ DOIT ÊTRE RESPECTÉE. De plus, des dommages peuvent résulter d'un dépassement de tension du modèle particulier.**

a. Connectez le fil de la source d'alimentation (+) à la vis du bornier marquée « L + ». Connectez le fil négatif (-) de la source d'alimentation à la vis du bornier marquée « N- ».

b. Si exigé par les codes de construction locaux, connectez le fil de terre à la vis verte dans la monture.

2. Lampes en Courant Alternatif

**⚠ AVERTISSEMENT**

**RISQUE DE CHOC ÉLECTRIQUE — Pour réduire les risques de choc pendant l'entretien, LA POLARITÉ DOIT ÊTRE RESPECTÉE quand on fait la connexion des appareils CA à la source d'alimentation.**

**REMARQUE**

Les appareils stroboscopiques 120 V CA sont conçus pour fonctionner en 50 et 60 Hz. AUCUNE modification spéciale n'est nécessaire pour les deux fréquences différentes d'alimentation CA.

a. Connectez le fil de phase de la source d'alimentation à la vis du bornier marquée « L + ». Connectez le fil de la source d'alimentation commun (neutre) à la vis de bornier marquée « N- ».

b. Si exigé par les codes de construction locaux, connectez le fil de terre à la vis verte dans la monture.

D. Remettez en place le bornier dans la monture et fixez avec les vis de montage précédemment desserrées.

E. Pour éviter le grippage et faciliter l'entretien futur, assurez-vous que le joint fileté du couvercle est propre et lubrifié à l'aide d'une graisse anti-corrosion comme la gelée de pétrole ou une huile minérale épaissie au savon.

#### IV. MAINTENANCE

### AVERTISSEMENT

**RISQUE D'EXPLOSION** — Ne pas débrancher l'appareil lorsque le circuit est sous tension ni si l'endroit n'est pas notoirement libre de concentrations de produits inflammables.

### AVERTISSEMENT

**RISQUE D'EXPLOSION** — La substitution de tout composant risque de compromettre l'adéquation à la Classe I, Division 2.

### MESSAGE DE SÉCURITÉ AU PERSONNEL D'ENTRETIEN

Ci-dessous une liste d'instructions importantes de sécurité et de précautions qui doivent être suivies:

- Lire et comprendre toutes les instructions avant d'utiliser ce système.
- Tout entretien du système de lampe doit être fait avec la tension coupée.
- Tout entretien du système de lampe doit être fait par un électricien professionnel conformément aux recommandations NEC et aux codes locaux.
- Ne jamais modifier l'unité de quelle que manière que ce soit. La sécurité dans des lieux dangereux peut être mise en cause si des ouvertures supplémentaires ou d'autres modifications sont faites dans des unités spécifiquement conçues pour utiliser dans ces endroits.
- La plaque de caractéristiques, qui peut contenir des informations d'avertissement ou autres d'importance pour le personnel d'entretien, ne doit PAS être cachée de manière quelconque. Assurez-vous que la plaque de caractéristiques reste lisible lorsque l'extérieur du carter est peint.
- Si le dôme est endommagé de quelque manière que ce soit, il DOIT être remplacé.
- Après avoir complété une séance d'entretien, vérifiez le système pour vous assurer de son bon fonctionnement.

Si on ne respecte pas ces instructions et précautions de sécurité, il peut en résulter des dommages aux biens, des blessures graves ou mortelles pour vous ou d'autres.

#### A. Remplacement de la lampe éclair.

À mesure que la lampe stroboscopique s'use, la lampe éclair noircit, faisant en sorte que l'émission de lumière diminue. Ce noircissement est caractéristique des lampes éclair. Le noircissement débutera près de la base de la lampe et progressera vers le haut. En plus, lorsqu'une lampe éclair vieillit, elle peut avoir tendance à avoir des ratés (ne pas clignoter de façon régulière).

Après une utilisation prolongée, vérifiez occasionnellement la dégradation de la lampe éclair. Est-ce que la lampe éclair a des ratés, l'émission de lumière a-t-elle diminué, luit-elle de façon continue ou est-elle noircie au-delà du point illustré en figure 3—elle doit être remplacée.

**▲ AVERTISSEMENT**

**RISQUE DE CHOC ÉLECTRIQUE** — Systèmes de lumière stroboscopique et DHI génèrent des tensions élevées. Couper le courant et attendre 5 minutes avant d'ouvrir l'appareil. Le non-respect de cet avertissement pourrait entraîner des blessures graves ou la mort.

**▲ AVERTISSEMENT**

**RISQUE DE CHOC ÉLECTRIQUE** — Stroboscope et DHI lumière systèmes génèrent des hautes tensions. Débranchez-le du système stroboscopique et attendre au moins 5 minutes avant d'ouvrir l'appareil. Ne s'appliquent pas courant à l'unité alors que l'appareil est ouvert. Le non-respect de cet avertissement pourrait entraîner des blessures graves ou la mort.

**▲ AVERTISSEMENT**

**GÉRER STROBOSCOPE LAMPES SOIGNEUSEMENT** — Lampes stroboscopiques deviennent suffisamment chaudes pour vous brûler. Toujours autoriser ces lampes refroidir avant de les manipuler. Lampes stroboscopiques sont également sous pression et, si cassé, peuvent entraîner en éclats de verre. Le non-respect de cet avertissement peut entraîner des blessures corporelles.

**▲ AVERTISSEMENT**

**FAIRE PAS TOUCHER LAMPE À MAINS NUES** — Dépôts de pétrole sur le part de verre de la lampe stroboscopique peut causer le luminaire de verre se rompe pendant l'utilisation. Si vous ne savez pas si le verre a été géré sans gants, nettoyez la vitre à l'aide d'un chiffon doux et l'alcool isopropylique avant d'installer la lampe.

**▲ AVERTISSEMENT**

**RISQUE D'EXPLOSION** — L'efficacité du boîtier anti-explosion doit être préservée. N'endommagez pas le dôme ou les filets en démontant ou ré-assemblant l'appareil. Des joints lubrifiés exposés aux éléments pendant une longue période peuvent retenir de petites particules de saleté ou d'autres corps étrangers. Le boîtier et le couvercle doivent être ré-assemblés immédiatement.

Voir la figure 3, Pour changer la lampe éclair, procédez comme suit :

1. Déconnectez l'alimentation électrique.
2. Retirer l'ensemble de dôme à partir du boîtier principal par la rotation de l'ensemble de dôme dans le sens antihoraire.
3. Desserrer la vis de la fixation à ressort du dôme (de 1 à 3 tours) et faire pivoter la fixation de 90°. Retirer le dôme pour exposer la lampe à éclats.
4. Une fois la lentille retiré, utilisez un mouvement de bascule et retirez délicatement le tube. Remplacez le tube flash par la pièce de rechange appropriée que vous retrouverez dans la liste des pièces de rechange au paragraphe IV. F. Pièces de rechange.
5. Mettre la lentille en position sous les pattes de retenue (2). Tourner le clip en place sur le rebord de la coupole et serrer la vis.

6. Réassemblez l'appareil en vissant l'ensemble du dôme dans le carter principal jusqu'à ce que ce soit serré.

B. Fusible de remplacement pour appareils de 120 Vac.

Pour remplacer le fusible, procédez comme suit:

1. Déconnectez l'alimentation électrique.

2. Retirer l'ensemble de dôme à partir du boîtier principal par la rotation de l'ensemble de dôme dans le sens antihoraire.

3. Le fusible est placé sur le côté composants de la carte à circuit imprimé montée dans des crochets à fusible. Pour retirer facilement, poussez sur une extrémité du fusible pour le sortir de la fixation à l'aide d'un tournevis à poignée isolée.

4. Ne remplacez le fusible qu'avec un autre de même dimension et de même calibre. Les appareils de 120 utilisent un fusible GMC à action retardée de 1 ampère et 250 volt (N° de pièce du Littlefuse 0313001-HXP ou égal).

5. Réassemblez l'appareil en vissant l'ensemble du dôme dans le carter principal jusqu'à ce que ce soit serré.

C. Nettoyage de l'enceinte

**REMARQUE**

Les procédures d'entretien nécessitent quelquefois que les accessoires soient lavés au jet pour les nettoyer. Le circuit doit être COUPE et le bloc de l'appareil DOIT être laissé à refroidir à la température ambiante du local avant nettoyage.

L'accessoire doit être nettoyé périodiquement pour maintenir une émission de lumière maximale. Seuls des produits non abrasifs et doux de nettoyage doivent être utilisés. Le dôme en verre doit être régulièrement inspecté pour détecter des griffures et des écailles et s'il est endommagé, il doit être remplacé.

D. Lubrification

Le joint fileté du couvercle doit être bien lubrifié en tout temps à l'aide d'une graisse anti-corrosion comme la gelée de pétrole ou une huile minérale épaissie au savon. Si des produits corrosifs se sont accumulés sur les joints anti-explosion et ne peuvent pas être rapidement supprimés à l'aide de solvants, les pièces doivent être jetées et remplacées.

**▲ AVERTISSEMENT**

**RISQUE D'EXPLOSION — Ne jamais utiliser de matières abrasives ou de lime pour enlever des produits corrosifs des surfaces filetées. Dans des endroits extrêmement corrosifs, le matériel doit être inspecté périodiquement pour protéger contre une détérioration inhabituelle et une porosité éventuelle car cela peut affaiblir la structure de l'enceinte.**

## E. Service

Federal Signal s'occupe du service de votre matériel ou fournit une assistance technique pour tout problème qui ne peut être traité localement.

Toutes les unités renvoyées à Federal Service pour service, inspection ou réparation doivent être accompagnées d'une autorisation de retour de matériel. Cette autorisation (RMA) peut être obtenue auprès du distributeur local ou des représentants du fabricant.

Adressez toutes les communications et expéditions à:

FEDERAL SIGNAL CORPORATION  
Industrial Systems  
Service Department  
2645 Federal Signal Drive  
University Park, IL 60484-3167  
Phone: +1 877 289 3246

## F. Pièces de Rechange

Lentille Fresnel incolore	K8550C095
Lentille Fresnel bleue	K8550C095-01
Lentille Fresnel ambre	K8550C095-02
Lentille Fresnel rouge	K8550C095-03
Lentille Fresnel magenta	K8550C095-07
Tube stroboscopique (Série C)	K8422A420
Tube stroboscopique (Série C1)	K8107159
Mécanisme 24V CC	K8436107-03
Mécanisme 120V CA	K8436107-02
Ensemble dôme	K8436147
PCBA, planche d'appel basse	K2001918-01

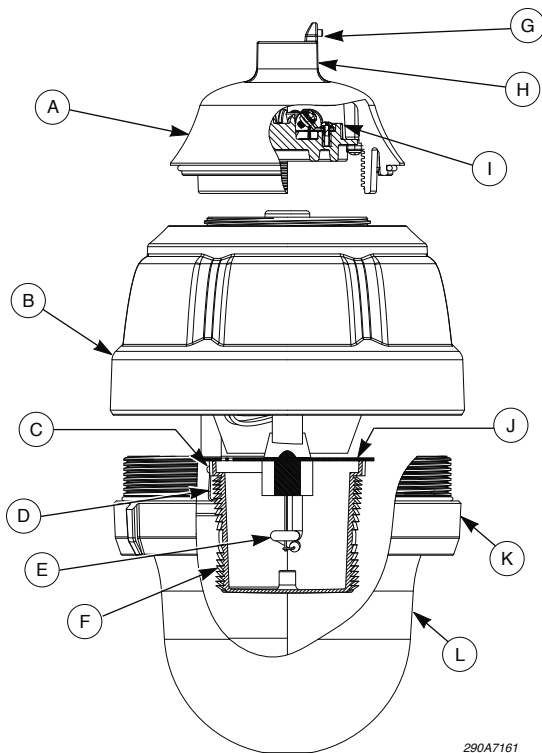
## G. Accessoires

Description	Modèle
Protection du dôme	DGXC-SB
Montage plafond	CMXC-SB
Montage mural	WMXC-SB
Montage pendentif	PMXC-SB

Tableau 1. Classification électrique.

Tension opérationnelle	24V c.c.	120V c.a.
Éclairs/minute	75	80
Courant opérationnel maximal, A	1,9 A	1,14 A
Fréquence, Hz	DC	50/60

I



English

- A. Pendant mount
- B. Main housing
- C. Lens clip screw
- D. Lens clip
- E. Strobe flash tube
- F. Lens
- G. Set screw
- H. 3/4" N.P.T. conduit
- I. Terminal block
- J. Mechanism assembly
- K. Glass dome assembly
- L. Glass dome

Español

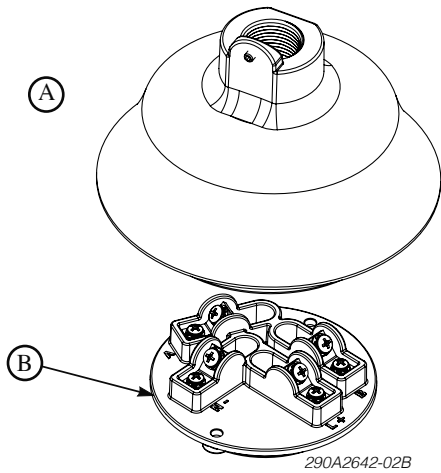
- A. Montaje de suspensión de la lámpara
- B. Caja principal
- C. Tornillo de clip de lente
- D. Clip de lente
- E. Tubo de destellos de la luz estroboscópica
- F. Lente
- G. Tornillo de presión
- H. Conducto N.P.T. 3/4"
- I. Bloque terminal
- J. Conjunto del mecanismo
- K. Cúpula de vidrio montaje
- L. Cúpula de vidrio

Français

- A. Support de montage de suspension
- B. Carter principal
- C. Lentille pince à vis
- D. Clip de lentille
- E. Tube à éclat du stroboscope
- F. Lentille
- G. Vis sans tete
- H. Conduit 3/4" N.P.T.
- I. Bloc de bornes
- J. Ensemble du mécanisme
- K. Ensemble du dôme en verre
- L. Dôme en verre

290A7161

2



**English**

- A. Not suitable for use with through branch circuit conductors.
- B. Terminal block

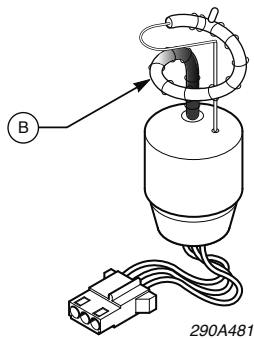
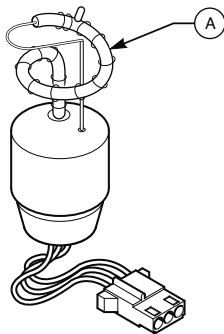
**Español**

- A. No apropiado para conductores de circuito de canal desviada.
- B. Bloque terminal

**Français**

- A. Ne convient pas pour utilisation avec conducteurs de dérivation de passage.
- B. Bloc de bornes

3



**English**

- A. New flash tube
- B. Used flash tube tends to discolor in areas shown and should be replaced.

**Español**

- A. Tubo de destellos luminosos nuevo
- B. El tubo de destellos luminosos usado tiende a descolorarse en las áreas indicadas y debe

**Français**

- A. Tube à éclats neuf
- B. Un tube à éclats utilisé a tendance à se décolorer à certains endroits et doit être remplacé