

Oster®



MODEL
MODELO
MODÈLE

TSSTJC5BBK

INSTRUCTION MANUAL

TOASTER

READ ALL INSTRUCTIONS BEFORE USING THIS APPLIANCE

MANUAL DE INSTRUCCIONES

TOSTADORA

LEA TODAS LAS INSTRUCCIONES ANTES DE USAR ESTE APARATO

MANUAL DE INSTRUÇÕES

TORRADEIRA

LEIA TODAS AS INSTRUÇÕES ANTES DE USAR ESTE APARELHO

MANUEL D'INSTRUCTIONS


GRILLE-PAIN

LIRE TOUTES LES INSTRUCTIONS AVANT D'UTILISER CET APPAREIL

IMPORTANT SAFEGUARDS

When using your toaster, basic safety precautions should always be followed, including the following:

READ ALL INSTRUCTIONS BEFORE USING YOUR TOASTER.

1. Unplug toaster from outlet when not in use and before cleaning. Allow to cool before putting on or taking off parts.
2. **DO NOT** touch hot surfaces . Metal parts can become hot. Use handles or knobs.
3. To prevent electric shock, unplug before cleaning.
4. To protect against electrical hazards, do not immerse cord, plug or toaster in water or other liquids.
5. **DO NOT** let cord hang over edge of table or counter or touch hot surfaces.
6. Never leave appliance unattended when in use.
7. Young children or incapacitated persons should not use this appliance. Supervise older children closely.
8. **DO NOT** operate or place the toaster on non-heat-resistant or flammable surfaces, on or near a hot gas or electric burner or in a heated oven or microwave oven.
9. To reduce the risk of fire or electric shock, do not insert utensils or foil-covered or oversized foods into the toaster or fingers or metallic utensils into slots when the toaster is plugged in.
10. **DO NOT** attempt to dislodge food when toaster is plugged in.
11. Do not use foods that will drip coatings or fillings when heated. Such accumulations inside the toaster create unsanitary conditions and the possibility of fire or toaster malfunction. Clean out accumulated crumbs frequently to avoid risk of fire or toaster malfunction. **DO NOT** operate the toaster without the crumb tray being replaced in its correct position.
12. **DO NOT** operate any appliance with a damaged cord or plug or after the appliance has malfunctioned or has been damaged in any manner. Return the toaster to the nearest Authorized Oster® Appliance Service Center for examination, repair or electrical or mechanical adjustment.
13. **DO NOT** use the toaster outdoors or for commercial purposes; this appliance is for household use only.
14. Use this appliance only for its intended use as described in this manual. **DO NOT** use attachments that are not recommended by the manufacturer; they may cause injury.
15. A fire may occur if toaster is covered, touching, near or below flammable material, including curtains, draperies, walls and the like when in operation.
16. Toast lift lever must be in the normal up position before attaching or disconnecting the plug from the wall outlet.
17. This appliance is not intended for use by persons (including children) with reduced physical, sensory or mental capabilities, or lack of experience and knowledge, unless they have been given supervision or instruction concerning use of the appliance by a person responsible for their safety. Children should be supervised to ensure that they do not play with the appliance.
18. Close supervision is necessary when any appliance is used by or near children, or incapacitated individuals.

19. This appliance is not intended to be operated by means of an external timer or separate remote-control system.
20. This appliance is intended to be used in household and similar applications such as: staff kitchen areas in shops, offices and other working environments; farm houses; clients in hotels, motels and other residential type environments; and bed and breakfast type environments.

THIS UNIT IS FOR HOUSEHOLD USE ONLY.

SAVE THESE INSTRUCTIONS

SPECIAL CORD SET INSTRUCTIONS

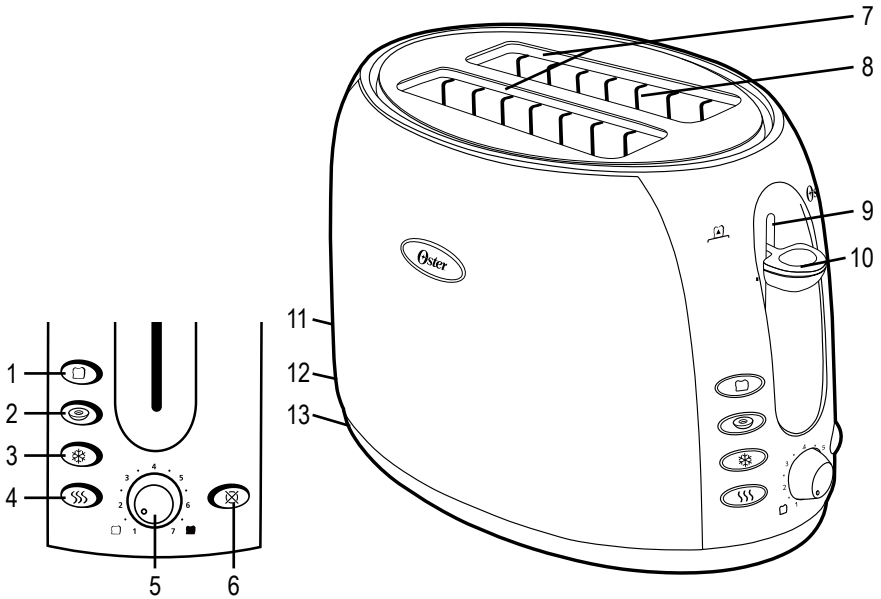
Please follow the instructions below to ensure the safe use of the power cord.

- This toaster has a power cord area that allows you to adjust the length of the cord so that it is the appropriate length for your situation. Try to position the toaster near the power source to reduce the hazards associated with power cords (such as becoming entangled or tripping over a long power cord).
- Do not pull, twist or otherwise abuse the power cord.
- Do not operate any electrical appliance with a damaged cord or plug or after the appliance malfunctions or has been dropped or damaged in any manner.
- Unplug the toaster when it is not in use and before cleaning.
- Do not wrap the power cord around the main body of the toaster during or after use.

Short Power Supply Cord Instructions

A short power-supply cord is provided to reduce the risk resulting from becoming entangled in or tripping over a longer cord. An extension cord may be used if care is exercised in its use. If an extension cord is used, the electrical rating of the cord must be at least as great as the electrical rating of the appliance. The extension cord should be arranged so that it will not drape over the countertop or tabletop where it can be pulled on by children or tripped over unintentionally.

DESCRIPTION OF THE APPLIANCE



- | | |
|---------------------------------------|--------------------------|
| 1. Toast Button with Indicator Light | 8. Bread Guides |
| 2. Bagel Button with Indicator Light | 9. Toast Lift |
| 3. Frozen Button with Indicator Light | 10. Bread Carriage Lever |
| 4. Warm Button with Indicator Light | 11. Removable Crumb Tray |
| 5. Lighter/Darker Knob | 12. Power Cord |
| 6. Cancel Button | 13. Cord Storage |
| 7. Extra-Wide Bread Slots | |

LEARNING ABOUT YOUR TOASTER

1. **Toast Button with Indicator Light** – Press this button if you want to toast bread. The indicator will light to confirm that “Toast” is selected.
2. **Bagel Button with Indicator Light** – Press this button if you want to toast a bagel. The indicator will light to confirm that “Bagel” is selected.
3. **Frozen Button with Indicator Light** – Press this button if your food is frozen. Use this button in combination with the Bagel and Toast buttons. The toaster will automatically defrost your food and then toast it in one easy step. The button will light up when pressed.
4. **Warm Button with Indicator Light** – Press this button to warm your toasted food. The indicator will light to confirm that “Warm” is selected.
5. **Lighter/Darker Knob** – Turn the knob to select how dark you would like your food toasted; 1 is lightest, 7 is darkest.
6. **Cancel Button** – Press the cancel button to pop the food out of the bread slots and stop the toasting process.
7. **Extra-Wide Bread Slots** – Wide slots 3.3 cm (1.3 inches) allow you to toast thickly sliced bread.
8. **Dual, Auto-Adjusting, Bread Guides** – Automatically adjusts to bread thickness for even toasting.
9. **Toast Lift** – Press up on the bread carriage lever to lift food out of the bread slots. Convenient and safe way of retrieving the smallest toasted items.
10. **Bread Carriage Lever** – Press to begin toasting your food.
11. **Fully Removable Crumb Tray** – For convenient and easy cleanup.
12. **Power Cord**
13. **Cord Storage** – Allows you to store any extra cord under the toaster and out of the way.

PREPARING TO USE YOUR TOASTER FOR THE FIRST TIME

If you are using your toaster for the first time, please be sure to:

1. Remove any stickers from the surface of the toaster and wipe the outside of your toaster with a damp cloth.
2. Insert the removable crumb tray into the crumb tray slot.
3. Make certain that the bread carriage lever is in the uppermost position before plugging in the toaster's power cord.
4. Select a location for the toaster. The location should be:
 - A flat, heat-resistant, non-flammable surface.
 - At least 8 cm (3 in.) away from walls or the back of countertops.
 - At least 30 cm (1 ft) away from any cabinet or shelving that may be above the toaster.
 - Away from flammable materials, such as curtains and wall fabric.
 - Away from a gas stove flame or electric element.
5. Plug the power cord into the electrical outlet. Adjusting the power cord length. Your toaster's cord storage area allows you to adjust the length of the power cord so that it is the exact length you desire.

To adjust the length of the power cord:

Wrap the power cord around the cord storage posts on the base of the toaster until the cord is the length you desire. Be certain to read the "Special Power Cord Instructions" at the beginning of this manual for important safety information.

6. Without inserting any food into the bread slots, push the bread lever all the way down until it locks. (The carriage will not lock if the toaster is not plugged into a power source.) The first toasting process will preheat the new elements and burn off any dust which may have accumulated during storage or manufacturing. It is normal for this burn off to create an odor. Your OSTER® Toaster is now ready for use.

USING YOUR TOASTER

Inserting the food into the bread slots and toasting:

Now you are ready to insert your food into the bread slots. Keep the following tips in mind when inserting your food:

- Most types of breads and pastries can be toasted, such as bagels, tea cakes, thickly sliced breads, English muffins, etc. Slices should not, however, be so thick as to jam the bread slots.
- When toasting two slices at a time, the slices should be of equal size and freshness to ensure even toasting.

- When toasting two slices of bread, place one slice in the center of each bread slot.
- When toasting one slice of bread, place the slice in the center of either bread slot.

After you insert the food into the bread slots:

1. Select the desired darkness setting by turning the Lighter/Darker knob.
2. Press the Bread Carriage Lever down until it locks.

The Auto-Adjusting Bread Guides will automatically center the food for even browning.

Tip: Your toaster has been designed for optimum toast balance. Some elements on the inside of the toaster may glow more brightly than others when in use. This is part of normal toaster operation.

After the desired level of darkness has been reached, the food will pop up automatically. The Bread Carriage Lever will return to its original position and the indicator lights will turn off.

3. Carefully remove the toasted food from the bread slots.

WARNING: Toasted food can be very hot. Handle with care.

Tip: To remove food jammed in the bread slots, unplug the toaster and remove the food once the toaster has cooled down.

WARNING: Never insert your fingers or metallic utensils into the bread slots.

USING THE FOOD SELECT FEATURE (TOAST, BAGEL)

Your OSTER® Toaster will adjust the light/dark range based upon the type of food you are toasting. You must select which type of food you are toasting so that the toaster can adjust accordingly. Toast is the default setting if no food or function select buttons are chosen.

To select the food type:

Choose between the Toast or Bagel mode.

- Press toast lever down.
- Press the Toast button if you are going to toast bread. The Toast indicator will light. This option will allow the toaster to adjust the time needed to toast bread according to the shade level selected.
- Press the Bagel button if you are going to toast a bagel. The Bagel indicator will light. This option will allow the toaster to adjust the time needed to toast bagels according to the shade level selected.

USING THE FROZEN FOOD FUNCTION

Your toaster can defrost your frozen food and then toast it. Now you can take a frozen bagel out of the freezer and defrost and toast it – all in your toaster – all in one easy step.

To defrost and toast your food:

1. Place food into the bread carriage.
2. Press the Bread Carriage lever.
3. Press the Frozen button if the food is frozen, then select your food type by pressing the appropriate button. If no food is selected the toaster will operate in toast mode.
4. Select the desired darkness setting by turning the Lighter/Darker knob.

USING THE WARM FUNCTION

Will your toasted food be ready before you are ready to eat it? This feature will allow you to reheat your toasted food.

To reheat your food:

1. Press the Bread Carriage lever.
2. Press the Warm button. If desired, press food select. If no food is selected the toaster will operate in toast mode. The Warm indicator will light and the toaster will reheat your food.

USING THE CANCEL FUNCTION

To cancel the toast process:

Press the Cancel button. The toaster will stop toasting immediately and the food will pop up automatically.

HELPFUL TIPS

Inserting the food into the bread slots and toasting

Now you are ready to insert your food into the bread slots. Keep the following tips in mind when inserting your food:

- Most types of breads and pastries can be toasted, thickly sliced breads, etc. Slices should not, however, be so thick as to jam the bread slots.
- When toasting two slices at a time, the slices should be of equal size and freshness to ensure even toasting.
- When toasting two slices of bread, place one slice in the center of each bread slot.

- When toasting one slice of bread, place the slice in the center of either bread slot.

CLEANING YOUR TOASTER

After use and before cleaning, unplug the toaster power cord from the power outlet and wait for the toaster to cool.

1. Wipe the outside of the toaster with a damp cloth and then dry it with another cloth or paper towel. Do not use abrasive cleaners; they will damage the toaster's finish.

WARNING: Do not use any pointed or sharp articles for cleaning the inside of the toaster; this may damage the toaster. Do not immerse the toaster in water or any other liquid.

2. Lightly tap the sides of the toaster to dislodge any crumbs caught in the toast chamber. Remove the crumb tray and empty it. Wipe the tray clean with a damp cloth or place it in the top rack of your dishwasher for cleaning. Be certain to put the crumb tray back into the toaster before using the toaster again.


WARNING: Empty the crumb tray frequently. Crumbs will accumulate in the crumb tray and could catch fire if not emptied periodically.

3. Wipe the top of the bread slots with a damp cloth and dry it with another cloth or paper towel.

PRECAUCIONES IMPORTANTES

Cuando utilice su tostadora, siempre debe seguir precauciones básicas de seguridad, incluyendo las siguientes:

LEA TODAS LAS INSTRUCCIONES ANTES DE UTILIZAR SU TOSTADORA.

1. Desenchufe la tostadora del tomacorriente cuando no se encuentre en servicio y antes de limpiarla. Antes de colocar o retirar alguna pieza; espere hasta que la tostadora se enfríe.
2. **NO** toque las superficies calientes . Las piezas de metal pueden estar calientes. Utilice las asas o perillas.
3. Para evitar el riesgo de una descarga eléctrica, desenchufe la tostadora antes de limpiarla.
4. Para protegerse contra el riesgo de una descarga eléctrica, **NO** sumerja el cable o la tostadora en agua u otros líquidos.
5. **NO** permita que el cable cuelgue del borde de la mesa o mostrador o que entre en contacto con superficies calientes.
6. Jamás permita que sus artefactos eléctricos queden desatendidos durante su funcionamiento.
7. Los niños y personas incapacitadas no deben hacer uso de estos artefactos. Supervise cuidadosamente a los niños de mayor edad.
8. **NO** opere ni coloque la tostadora sobre superficies que no sean termo-resistentes ni inflamables, cerca o encima de quemadores de estufas eléctricas o de gas o dentro de un horno caliente o microondas.
9. Para reducir el riesgo de incendios o descargas eléctricas, no inserte utensilios ni alimentos cubiertos en papel aluminio o de grandes dimensiones, tampoco introduzca los dedos ni utensilios de metal cuando el artefacto se encuentre enchufado.
10. **NO** intente retirar alimentos cuando la tostadora esté enchufada.
11. **NO** utilice alimentos cuyas cubiertas o rellenos puedan gotear a consecuencia del calentamiento. Tales acumulaciones dentro de la tostadora crean condiciones poco sanitarias así como la posibilidad de incendios o malfuncionamiento de la tostadora. Elimine con frecuencia las migas acumuladas para evitar el riesgo de incendios o el malfuncionamiento de su tostadora. **NO** opere la tostadora sin antes volver a colocar la bandeja para migas a su posición correcta.
12. **NO** opere ningún artefacto con un cable o enchufe dañado, después de que el artefacto haya fallado o si se cae al suelo o se daña de cualquier otra manera. Regrese el artefacto al Centro de Servicio Oster® Autorizado más cercano para examinarlo, repararlo o para ajustarlo mecánica o eléctricamente.
13. **NO** utilice la tostadora al aire libre o para propósitos comerciales: esta tostadora es para uso doméstico exclusivamente.
14. Sólo utilice este artefacto para su uso original conforme a lo descrito en este manual; no utilice accesorios que no hayan sido recomendados por el fabricante, ya que pueden producir lesiones corporales.
15. Puede producirse un incendio si la tostadora está cubierta, tocando, cerca o debajo de algún material inflamable, incluyendo cortinas, tapicería, paredes y afines mientras esté funcionando.

16. El elevador de tostadas debe estar en la posición elevada antes de conectar o desconectar el enchufe del tomacorriente.
17. Este dispositivo no ha sido diseñado para ser utilizado por personas (incluidos niños) con capacidades físicas, sensoriales o mentales disminuidas, o sin experiencia o conocimiento, a menos que la persona encargada de su seguridad haya supervisado o instruido a dichas personas respecto al uso del dispositivo. Los niños deberán estar bajo supervisión para cerciorarse de que no jueguen con el dispositivo.
18. Se requiere estricta supervisión cuando las personas discapacitadas o los niños utilicen cualquier electrodoméstico o estén cerca de él.
19. Este artefacto no ha sido diseñado para funcionar mediante un temporizador externo ni un sistema de control remoto.
20. Este artefacto ha sido diseñado para uso doméstico o en aplicaciones similares tales como: áreas de cocina del personal de tiendas, oficinas y otros ambientes de trabajo, granjas, clientes de hoteles, moteles y otros ambientes de tipo residencial, así como en ambientes de hospederías.

ESTA UNIDAD ESTA DISEÑADA SOLO PARA USO DOMESTICO.

CONSERVE ESTAS INSTRUCCIONES

INSTRUCCIONES PARA EL CABLE ELECTRICO

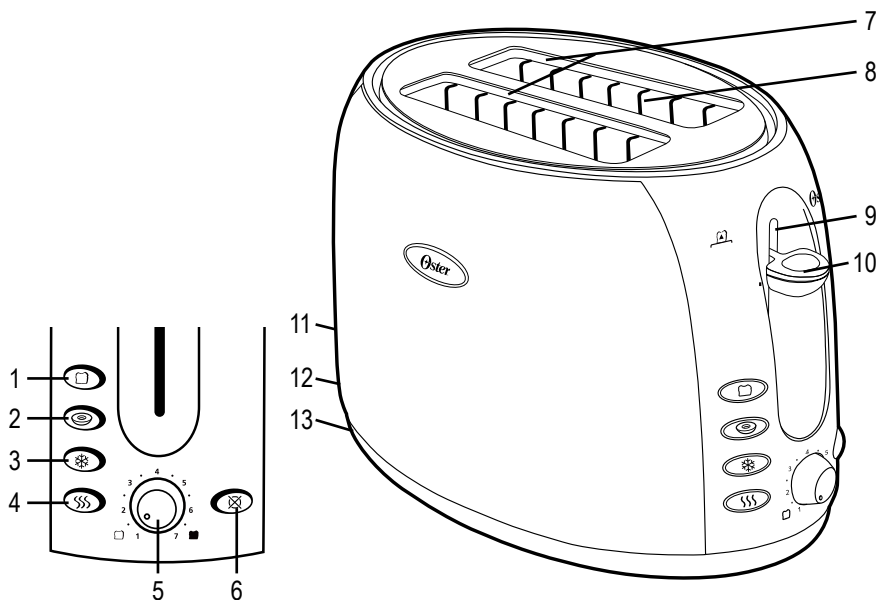
Tome en cuenta las siguientes instrucciones para asegurar el uso correcto del cable eléctrico.

- Esta tostadora cuenta con un área para el cable eléctrico que le permite ajustarlo a la longitud correcta según su necesidad. Trate de colocar la tostadora cerca del tomacorriente apropiado para disminuir los riesgos asociados con los cables eléctricos (tales como enredarse con un cable de longitud excesiva o tropezarse sobre él).
- No tire, tuerza ni abuse del cable eléctrico.
- No opere ningún artefacto eléctrico que tenga un cable o enchufe dañado, ni después de que se haya producido un mal funcionamiento de la unidad, ni que se haya caído o dañado en cualquier manera.
- Desenchufe la tostadora cuando no la esté utilizando y antes de limpiarla.
- No envuelva el cable eléctrico alrededor del cuerpo de la tostadora ni durante ni después del uso.

Uso de un Cable Eléctrico Corto

Se incluye un cable eléctrico corto para evitar que se enrede o que cause tropiezos. Un cable de extensión puede utilizarse con cuidado. Si se usa un cable de extensión, la capacidad nominal marcada en el cable de extensión debe ser por lo menos igual o mayor a la del artefacto. El cable de extensión debe colocarse de manera que no cuelgue del mostrador o de la mesa, donde pueda causar tropiezos accidentalmente.

DESCRIPCION DEL ARTEFACTO



- | | |
|--|----------------------------------|
| 1. Botón "Toast" con luz indicadora | 6. Botón para cancelar |
| 2. Botón de rosca "Bagel" con luz indicadora | 7. Ranuras extra anchas |
| 3. Botón de congelados con luz indicadora | 8. Guías para rebanadas |
| 4. Botón de calentar con luz indicadora | 9. Elevador de tostadas |
| 5. Perilla para tostar más claro/más oscuro | 10. Palanca para sostener el pan |
| | 11. Bandeja de migas removible |
| | 12. Cordón de potencia |
| | 13. Almacenamiento para el cable |

CONOCIENDO SU TOSTADORA

1. **Botón “Toast” con Luz Indicadora** – Presione este botón si desea tostar una tostada. Se encenderá el indicador para confirmar que se ha seleccionado “Toast”.
2. **Botón de Bagel con Luz Indicadora** – Presione este botón si usted desea tostar un bagel. Se encenderá el indicador para confirmar que se ha seleccionado “Bagel”.
3. **Botón de Congelados con Luz Indicadora** – Presione este botón si sus alimentos están congelados. Utilice este botón conjuntamente con los botones de “Bagel” o “Toast”. La tostadora descongelará automáticamente sus alimentos y luego los tostará fácilmente en un solo paso. El botón se encenderá al presionarlo.
4. **Botón “Warm” (Calentar) con Luz Indicadora** – Presione este botón para calentar su alimento tostado. El indicador se iluminará para confirmar que el botón “Warm” se ha seleccionado.
5. **Perilla para Tostar Más Claro/Más Oscuro** – Gire la perilla para seleccionar la intensidad con que le gustaría tostar sus alimentos: el número 1 es para más claro, y el número 7 es para más oscuro.
6. **Botón para Cancelar** – Presiónelo para hacer saltar los alimentos de la tostadora y cancelar el proceso de tostado.
7. **Ranuras Extra Anchas** – Las ranuras anchas 3,3 cm (1,3 pulgadas) le permiten tostar pan casero y bollitos.
8. **Guías para Rebanadas Dobles, Autonivelantes** – Se ajustan automáticamente al grosor del pan.
9. **Elevador de Tostadas** – Presione la palanca para sostener el pan para elevar los alimentos y retirarlos de las ranuras. Una manera conveniente y segura de retirar los alimentos tostados más pequeños.
10. **Palanca para Sostener el Pan** – Presiónela para comenzar a tostar sus alimentos.
11. **Bandeja para Migas Removible** – Para una limpieza conveniente y fácil.
12. **Cable Eléctrico**
13. **Almacenamiento para el Cable** – Le permite almacenar el cable o lo que sobra del cable en la parte inferior de su tostadora.

PREPARÁNDOSE PARA USAR SU TOSTADORA POR PRIMERA VEZ

Si va a utilizar su tostadora por primera vez, asegúrese de lo siguiente:

1. Retire cualquier calcomanía de la superficie de su tostadora y límpiela con un paño húmedo.
2. Inserte la bandeja para migas removible en su ranura.
3. Asegúrese de que la palanca para sostener el pan esté en la posición elevada antes de enchufar el cable de la tostadora.
4. Seleccione adonde desea ubicar su tostadora. Dicha ubicación debe ser:
 - Una superficie plana, termo-resistente y anti-inflamable.
 - Retirada como mínimo a 8 cm (3 pulgadas) de la pared o de la parte posterior de los mostradores.
 - Como mínimo a 30 cm (1 pie) de distancia de cualquier gabinete o estante que puedan encontrarse encima de la tostadora.
 - Alejada de los materiales inflamables como cortinas o tapizados.
 - Alejada de quemadores de estufas de gas o eléctricas.
5. Enchufe el cable en un tomacorriente. Ajuste la longitud del cable. La parte para almacenar el cable de su tostadora le permite ajustar la longitud exacta que desea.

Para ajustar la longitud del cable eléctrico:

Envuelva el cable alrededor de los postes de almacenamiento del cable en la base de la tostadora hasta que éste cuente con la longitud deseada. Asegúrese de haber realizado la lectura de las "Instrucciones para el cable eléctrico al inicio de este manual para obtener información sobre seguridad.

6. Sin insertar ningún alimento en las ranuras, empuje la palanca para sostener el pan completamente hacia abajo hasta que quede sujetado (las resistencias no quedarán sujetadas si la tostadora no está enchufada en un tomacorriente). El primer proceso de tostado precalentará los nuevos elementos y quemará cualquier polvo que se haya acumulado durante el almacenamiento o fabricación. Es perfectamente normal que dicho quemado produzca un olor. Su Tostadora OSTER® ya se encuentra lista para el uso.

USO DE LA TOSTADORA

Insertando alimentos en las ranuras y la operación de tostadora

Ya está listo para insertar alimentos en las ranuras de pan. Tenga los siguientes consejos en mente durante la inserción de sus alimentos.

- La mayoría de los panes y artículos de pastelería pueden tostarse, tales como bagels, bizcochos, rebanadas gruesas de pan, bollitos, waffles, etc. Sin embargo, las rebanadas no deben ser tan gruesas que queden atascadas en las ranuras.

- Cuando vaya a tostar dos rebanadas a la misma vez, las rebanadas deben ser del mismo tamaño y frescura para asegurar una tostadora uniforme.
- Cuando vaya a tostar dos rebanadas de pan, coloque una rebanada en el centro de cada ranura.
- Cuando vaya a tostar una sola rebanada de pan, coloque la ranura en el centro de cualquiera de las ranuras.

Después de insertar los alimentos en las ranuras:

1. Seleccione el nivel de oscuridad que desea, gire la perilla para tostar más claro/más oscuro.
2. Presione la palanca para sostener el pan hacia abajo hasta que quede sujetado.

La guía auto-ajustable para pan centrará automáticamente el alimento brindándole un tostado parejo.

Consejo: Su tostadora ha sido diseñada para brindarle un equilibrio óptimo. Algunos elementos dentro de la tostadora pueden brillar con más intensidad que otros durante su uso. Esto es parte del funcionamiento normal de la tostadora.

Una vez que haya alcanzado el nivel de tostado deseado, el alimento se elevará automáticamente. La palanca para sostener el pan volverá a su posición original y las luces indicadoras se apagarán.

3. Retire con cuidado los alimentos tostados de las ranuras.

ADVERTENCIA: Los alimentos tostados pueden estar sumamente calientes. Manéjelos con cuidado.

Consejo: Para extraer los alimentos atascados en las ranuras, desenchufe la tostadora y retire los alimentos una vez que la tostadora se haya enfriado.

ADVERTENCIA: Nunca inserte los dedos ni utensilios de metal en las ranuras.

USANDO LA CARACTERÍSTICA DE SELECCIONAR DE ALIMENTO (TOAST, BAGEL)

Su Tostadora OSTER® ajustará el grado de claridad/ oscuridad de sus tostadas con base en la clase de alimento que vaya a tostar. Debe seleccionar primero la clase de alimento a tostar para que la tostadora pueda realizar el ajuste correspondiente. Toast is the default setting if no food or function select buttons are chosen.

Para seleccionar el tipo de alimento:

Elija entre el modo de Bagel o Toast.

- Oprima la palanca de la tostadora hacia abajo.
- Presione el botón "Toast" si va a tostar pan. El indicador "Toast" se encenderá. Esta

opción permitirá que la tostadora regule el tiempo necesario para tostar pan de acuerdo con el nivel de matiz que ha seleccionado.

- Presione el botón de Bagel si va a tostar un bagel. El indicador de Bagel se encenderá. Esta opción permitirá que la tostadora se ajuste al tiempo necesario para tostar los bagels según el nivel de dorado seleccionado.

USO DE LA FUNCIÓN PARA ALIMENTO CONGELADO

Su tostadora puede deshelar sus alimentos congelados y tostarlos después. Ahora puede tomar un bagel congelado del congelador, deshelo y tostarlo – todo esto en su tostadora en un solo paso fácil.

Para deshelar y tostar sus alimentos:

1. Ponga los alimentos en las guías del pan.
2. Presione la palanca de las Guías del Pan.
3. Presione el botón de Congelado si la comida está congelada, luego seleccione su tipo de comida presionando el botón apropiado. If no food is selected the toaster will operate in toast mode.
4. Seleccione el grado de tostado deseado girando la perilla Lighter/Darker (Más Claro/ Más Oscuro).

USO DE LA FUNCIÓN PARA CALENTAR

¿Su comida tostada estará lista antes de que usted esté listo para comerla?

Esta característica le permitirá recalentar su comida tostada.

Para recalentar su comida:

1. Presione la palanca de las Guías del Pan.
2. Presione el botón de Calentar. If no food is selected the toaster will operate in toast mode. Si lo desea, presione la selección de comida. El indicador de calentar se encenderá y la tostadora recalentará su comida.

UTILIZANDO EL BOTÓN DE CANCELAR

Para cancelar el proceso de tostado:

Presione el botón de cancelar “Cancel.” La tostadora dejará de tostar inmediatamente y los alimentos se elevarán de manera automática.

CONSEJOS UTILES

Insertando los alimentos en las ranuras y tostándolos

Ya se encuentra listo para insertar los alimentos en las ranuras de la tostadora. Tome en cuenta los siguientes consejos.

- La mayoría de los panes y artículos de pastelería pueden tostarse, tales como rebanadas gruesas de pan, etc. Sin embargo, las rebanadas no deben ser tan gruesas que queden atascadas en las ranuras.
- Cuando tueste dos rebanadas a la vez, éstas deben ser del mismo tamaño y frescura para asegurar un tostado uniforme.
- Cuando tueste dos rebanadas de pan, coloque una rebanada en el centro de cada ranura.
- Cuando tueste una sola rebanada de pan, colóquela en el centro de cualquiera de las ranuras.

LIMPIANDO SU TOSTADORA

Después de utilizarla y antes de su limpieza, desenchufe el cable del tomacorriente y espere que la tostadora se enfríe.

1. Limpie la superficie de la tostadora con un paño húmedo y luego séquela con otro paño o papel toalla. No utilice limpiadores abrasivos, ya que podrían dañar el acabado de su tostadora.

ADVERTENCIA: No utilice artículos filosos o puntiagudos para limpiar el interior de la tostadora, ya que esto puede dañarla. No sumerja la tostadora en agua o cualquier otro líquido.

2. Golpee ligeramente los lados de la tostadora para desalojar las migas que puedan estar atrapadas en la cámara de tostado. Quite la bandeja para migas y vacíela. Limpie la bandeja con un paño suave o colóquela sobre la rejilla superior de su lavavajillas. Asegúrese de colocar la bandeja para migas en la tostadora de nuevo antes de hacer uso de la tostadora.


ADVERTENCIA: Vacíe la bandeja para migas frecuentemente. Las migas se acumularán y podrían incendiarse si no se vacía periódicamente la bandeja.

3. Limpie la superficie superior de las ranuras con un paño húmedo y séquela con otro paño o papel toalla.

PRECAUÇÕES IMPORTANTES

Ao usar sua torradeira, deve-se seguir precauções básicas de segurança como as que seguem:

LEIA TODAS AS INSTRUÇÕES ANTES DE USAR SUA TORRADEIRA.

1. Desligue a torradeira da tomada quando a mesma não estiver sendo usada e antes de limpá-la. Espere até que a torradeira esteja fria antes de colocar ou retirar alguma peça ou acessório.
2. **NÃO** toque as superfícies quentes . As peças de metal podem estar quentes. Use as alças ou botões.
3. Para evitar o risco de uma descarga elétrica, desligue a torradeira da tomada antes de limpar.
4. Como medida de proteção contra o risco de uma descarga elétrica, **NÃO** se deve submergir o fio ou a torradeira na água ou em outros líquidos.
5. **NÃO** deixe que o fio fique pendurado na borda da mesa ou do balcão da cozinha ou que encoste em superfícies quentes.
6. Jamais deixe seus eletrodomésticos sem supervisão enquanto estiverem funcionando.
7. Crianças e pessoas com deficiências físicas não devem usar estes eletrodomésticos. Supervisione atentamente a crianças maiores.
8. **NÃO** opere nem coloque a torradeira sobre superfícies que não sejam resistentes a temperatura ou infamáveis, próximo ou acima de bocas do fogões elétricos ou a gás ou dentro de um forno quente ou microondas.
9. Para reduzir o risco de incêndios ou descargas elétricas, não coloque utensílios, alimentos envolvidos em papel alumínio, alimentos muito grandes ou os dedos nas aberturas da torradeira enquanto a mesma estiver ligada na tomada.
10. **NÃO** tente retirar os alimentos enquanto a torradeira estiver ligada na tomada.
11. **NÃO** use alimentos que tenham cobertura ou recheios que possam pingar ou vazar como resultado do aquecimento. Esses tipos de resíduos dentro da torradeira criam condições não higiênicas e podem causar incêndios ou defeitos na torradeira. Elimine as migalhas acumuladas com frequência para evitar o risco de incêndios ou falhas no funcionamento de sua torradeira. **NÃO** use a torradeira sem antes colocar de volta a bandeja de migalhas em seu lugar.
12. **NUNCA** use um eletrodoméstico com o fio ou plugue danificados, se o mesmo tiver apresentado falhas ou caso tenha caído no chão ou se danificado de qualquer outra forma. Leve o eletrodoméstico ao Centro de Serviço Autorizado Oster® mais próximo para ser examinado, reparado ou para que efetuem quaisquer ajustes mecânicos ou elétricos que sejam necessários.
13. **NÃO** use a torradeira ao ar livre ou para fins comerciais: esta torradeira destina-se ao uso somente ao uso doméstico.
14. Use este eletrodoméstico somente para o uso ao qual descrevemos neste manual; não use acessórios que não sejam recomendados pelo fabricante, pois isso poderia causar lesões físicas.
15. Um incêndio poderá ocorrer caso a torradeira esteja coberta, tocando, próxima ou embaixo de algum material inflamável, incluindo cortinas, tapeçarias, paredes e outros materiais semelhantes durante o funcionamento.

16. A alavanca deve estar na posição elevada antes que a torradeira seja ligada ou desligada da tomada.
17. Este aparelho elétrico não está destinado a ser usado por pessoas (incluindo crianças) cujas capacidades físicas, sensoriais ou mentais estejam reduzidas ou careçam de experiência e conhecimento necessários para utilizá-lo, a menos que uma pessoa responsável por sua segurança tenha supervisionado ou instruído quanto ao uso deste eletrodoméstico. As crianças deverão estar sob supervisão para garantir que **NÃO** brinquem com o aparelho elétrico.
18. É necessária a estrita supervisão quando se utilize o eletrodoméstico próximo a crianças ou pessoas incapacitadas.
19. Este aparelho não foi desenvolvido para funcionar através de um timer externo nem um sistema de controle remoto.
20. Este aparelho foi desenvolvido para o uso doméstico ou em aplicações semelhantes tais como: áreas de cozinha de funcionários de lojas, escritórios e outros ambientes de trabalho, clientes de hotéis, motéis e outros ambientes do tipo residencial assim como em ambientes de pousadas.

ESTE APARELHO FOI DESENVOLVIDO SOMENTE PARA USO DOMÉSTICO.

GUARDE ESTAS INSTRUÇÕES

INSTRUÇÕES SOBRE O FIO ELÉTRICO

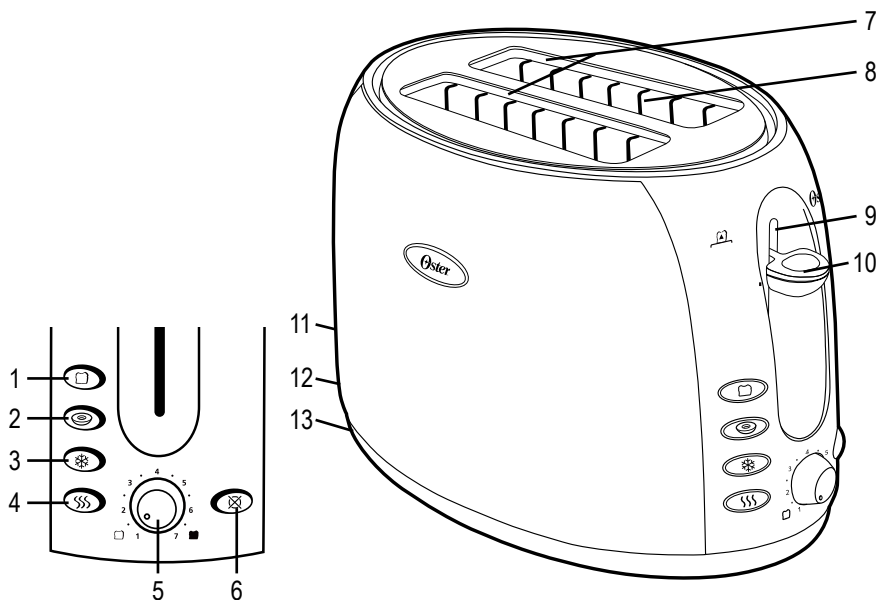
Siga as instruções que seguem para garantir o uso correto e seguro do fio elétrico.

- Esta torradeira tem uma área para guardar o fio elétrico que possibilita o ajuste do comprimento do mesmo segundo seja necessário. Procure colocar a torradeira próxima à tomada para diminuir os riscos relacionados aos fios elétricos tais como tropeços.
- Não puxe, torça nem force o fio elétrico.
- Não use um eletrodoméstico que tenha um fio ou plugue danificados ou caso o aparelho tenha falhado, caído ou esteja danificado.
- Desligue a torradeira da tomada quando a mesma não estiver sendo utilizada ou antes de limpá-la.
- Não enrole o fio elétrico ao redor da torradeira durante ou após o uso.

Uso de Fio Elétrico Curto

A torradeira vem com um fio curto para evitar que se enrosque ou cause tropeços. Uma extensão poderá ser usada tomando-se os devidos cuidados. Caso seja usada uma extensão, a capacidade nominal marcada deve ser igual ou maior que a do aparelho. A extensão deve ser usada de maneira que não fique pendurada sobre a mesa ou balcão da cozinha, onde poderia causar tropeços.

DESCRIÇÃO DO APARELHO



1. Botão para torrar com luz indicadora
2. Botão para torrar bagel com luz indicadora
3. Botão para descongelar com luz indicadora
4. Botão para esquentar com luz indicadora
5. Seletor de Intensidade de Claro a Escuro
6. Botão para Cancelar
7. Aberturas Amplas
8. Grelhas Ajustáveis
9. Alavanca para Elevar a Torrada
10. Alavanca para Prender/Abaixar o Pão
11. Bandeja de Migalhas
12. Fio elétrico
13. Área para guardar o fio

CONHECENDO SUA TORRADEIRA

1. **Botão para torrar com luz indicadora** - Pressione este botão para torrar seu pães. A luz indicadora acenderá confirmando sua seleção da função para torrar.
2. **Botão para torrar bagel com luz indicadora** - Pressione este botão para torrar bagels. A luz indicadora acenderá confirmando sua seleção da função para torrar bagels.
3. **Botão para descongelar com luz indicadora** - Pressione este botão se seus alimentos estiverem congelados. Use este botão simultaneamente com o botão para torrar ou o botão para torrar bagels. A torradeira irá automaticamente descongelar seus alimentos e em seguida torrar, de forma simples e fácil. A luz indicadora do botão acenderá ao ser pressionado.
4. **Botão para esquentar com luz indicadora** - Pressione este botão para esquentar seu alimento torrado. A luz indicadora acenderá confirmando sua seleção da função para esquentar.
5. **Seletor de Intensidade de Claro/Escuro** – Gire o seletor para escolher a intensidade que deseje torrar seus alimentos: o nível 1 é o mais claro e o número 7 é o mais escuro.
6. **Botão para Cancelar** – Pressione para soltar os alimentos e parar de torrar.
7. **Aberturas Amplas** – As aberturas amplas de 3,3 cm (1,3 polegadas) possibilitam torrar pão caseiro e outros alimentos mais espessos.
8. **Grelhas Duplas, Auto-ajustáveis** – Ajustam-se automaticamente à espessura do pão.
9. **Alavanca para Elevar a Torrada** – Empurre a alavanca para cima para levantar os alimentos e facilitar a retirada dos mesmos. Uma maneira segura e conveniente para retirar até mesmo alimentos pequenos.
10. **Alavanca para Prender/Abaixar o Pão** – Pressione para iniciar a torrar os alimentos.
11. **Bandeja para Migalhas** – Para limpeza fácil e conveniente.
12. **Fio elétrico**
13. **Área para Guardar o Fio** – Conveniente para guardas o fio quando não estiver usando a torradeira ou guardar parte do fio que não for necessário durante o uso.

PREPARANDO PARA USAR SUA TORRADEIRA PELA PRIMEIRA VEZ

Quando for utilizar sua torradeira pela primeira vez, certifique-se do seguinte:

1. Retire qualquer adesivo da superfície de sua torradeira e limpe-a com um pano úmido.
2. Coloque a Bandeja para Migalhas em seu lugar.
3. Certifique-se de que a Alavanca esteja elevada antes de ligar o plugue na tomada.
4. Escolha o local onde deseja colocar sua torradeira. Esse local deve ser:
 - Uma superfície plana, resistente à temperatura e não inflamável.
 - A pelo menos 8 cm (3 polegadas) de distância da parede ou do fundo do balcão da cozinha.
 - A pelo menos 30 cm (1 pé) de distância de qualquer armário ou gabinete que esteja acima da torradeira.
 - Longe de materiais inflamáveis como cortinas, tapetes ou tapeçarias.
 - Longe de bocas de fogões a gás ou elétrico.
5. Ligue na tomada. Ajuste o tamanho do fio. A área para guardar o fio de sua torradeira possibilita deixar para fora somente o comprimento de fio necessário durante o uso.

Para ajustar o comprimento do fio elétrico:

Enrole o fio ao redor dos pinos para guardar o fio na base da torradeira até que o mesmo esteja no comprimento desejado. Leia a seção "Instruções Sobre o Fio Elétrico" no início deste manual para maiores informações sobre segurança.

6. Sem colocar nenhum alimento nas aberturas, empurre a Alavanca para baixo até que fique travada (as grelhas não irão travar se a torradeira não estiver ligada na tomada). A primeira vez que a torradeira for usada irá pré-aquecer os novos elementos e queimará o pó que foi acumulado durante o armazenamento ou a fabricação. É possível que isso provoque um odor. Sua torradeira Oster® está pronta para ser usada.

USANDO SUA TORRADEIRA

COLOCANCO ALIMENTOS NAS CAVIDADES E TORRANDO:

Agora você já pode colocar seus alimentos nas cavidades da torradeira. Mantenha as seguintes dicas quando for colocar seus alimentos:

- A maioria dos tipos de pães e pães doces, tais como bagels, bolos, etc., podem ser torrados. As fatias, no entanto, não devem ser grossas demais de maneira que possam travar nas cavidades.
- Quando for torrar duas fatias ao mesmo tempo, as fatias devem ser do mesmo tamanho e espessura para obter torradas uniformes.
- Quando torrar duas fatias de pão, coloque uma fatia no centro de cada uma das duas

cavidades da torradeira.

- Quando torrar uma fatia de pão, coloque-a no centro de uma das duas cavidades da torradeira.

Após haver colocado os alimentos nas aberturas:

1. Selecione a intensidade que deseja torrar girando o botão que vai de mais claro a mais escuro.
2. Pressione a Alavanca para baixo até que fique travada.

As Grelhas Auto-Ajustáveis irão centrar os alimentos automaticamente para garantir torradas uniformes.

Dica: Sua torradeira foi desenvolvida para torrar de forma balanceada. Alguns elementos térmicos dentro da torradeira poderão brilhar com maior intensidade que outros durante o funcionamento. Isso faz parte do funcionamento normal da torradeira. Quando as torradas chegarem na intensidade selecionada, o alimento subirá automaticamente. A Alavanca voltará a sua posição original.

3. Retire com cuidado os alimentos torrados das aberturas.

PRECAUÇÃO: Os alimentos torrados podem estar extremamente quentes. Manuseie com cuidado.

Dica: Para retirar os alimentos que fiquem presos nas aberturas, desligue a torradeira e retire os alimentos assim que a torradeira tenha esfriado.

PRECAUÇÃO: Nunca coloque os dedos nem utensílios de metal nas ranhuras.

USANDO A FUNÇÃO PARA SELECIONAR O ALIMENTO (TORRAR, BAGEL)

Sua torradeira OSTER® ajustará o nível de tostado de claro a escuro baseado em sua seleção do tipo de alimento que estiver torrando. Você deve selecionar o tipo de alimento a ser torrado para que a torradeira se ajuste de forma adequada. Torrar é a função pré-estabelecida caso nenhuma outra função seja selecionada.

Para selecionar o tipo de alimento:

Escolha entre as funções para torrar ou torrar bagel.

- Empurre a alavanca para baixo.
- Pressione o botão para torrar se for torrar pão. A luz indicadora para torrar acenderá. Esta opção irá ajustar a torradeira para o tempo necessário para torrar o pão de acordo com o nível de tostado selecionado.
- Pressione o botão para torrar bagel se for torrar bagels. A luz indicadora para torrar bagel acenderá. Esta opção irá ajustar a torradeira para o tempo necessário para torrar bagels de acordo com o nível de tostado selecionado.

USANDO A FUNÇÃO PARA DESCONGELAR

Sua torradeira pode descongelar alimentos congelados e em seguida torrará-los. Agora você pode tirar bagels congelados do freezer e descongelá-los e torrará-los - tudo em sua torradeira - tudo de forma simples e fácil.

Para descongelar e torrar seus alimentos:

1. Coloque os alimentos nas cavidades.
2. Empurre a alavanca para baixo.
3. Pressione o botão para descongelar se os alimentos estiverem congelados e em seguida pressione o botão para selecionar o tipo de alimento. Caso nenhuma das seleções for feita, a torradeira irá funcionar na função para torrar.
4. Gire o botão para selecionar o nível de tostado desejado de claro a escuro.

USANDO A FUNÇÃO PARA ESQUENTAR

Sua torrada estará pronta antes que você esteja pronto para comer? Esta função possibilitará requeentar sua torrada.

Para requeentar seus alimentos:

1. Empurre a alavanca para baixo.
2. Pressione o botão para esquentar. Se desejar, pressione a seleção de alimento. Caso nenhuma das seleções for feita, a torradeira irá funcionar na função para torrar. A luz indicadora da função para esquentar acenderá e a torradeira irá requeentar seus alimentos.

UTILIZANDO O BOTÃO PARA CANCELAR

Para parar de torrar:

Pressione o Botão para Cancelar "Cancel". A torradeira irá parar de torrar imediatamente e os alimentos subirão automaticamente.

DICAS ÚTEIS

Colocando os alimentos nas aberturas para torrar

Agora você já sabe como colocar os alimentos nas aberturas da torradeira, leve em consideração as seguintes dicas:

- A maioria dos pães podem ser torrados, tais como pão doces, fatias grossas de pão, etc. Porém as fatias não devem ser tão grossas ao ponto que possam vir a ficar pressas nas aberturas.
- Quando for torrar duas fatias ao mesmo tempo, elas devem ser do mesmo tamanho e semelhantes em textura para torrar de forma uniforme.
- Ao torrar duas fatias de pão, coloque uma fatia no centro de cada abertura.
- Se for torrar somente uma fatia de pão, coloque-a no centro de qualquer uma das duas aberturas.

LIMPANDO SUA TORRADEIRA

Após o uso e antes de limpar, desligue o fio da tomada e espere até que a torradeira esfrie.

1. Limpe a superfície da torradeira com um pano úmido e seque-a em seguida com outro pano seco ou papel toalha. Não use limpadores ou esponjas abrasivas que possam danificar o acabamento de sua torradeira.

PRECAUÇÃO: Não use artigos afiados ou pontiagudos para limpar o interior da torradeira, pois isso poderá causar danos. Não se deve submergir a torradeira na água ou qualquer outro líquido.

2. Bata levemente nas laterais da torradeira para soltar migalhas que possam estar presas nas cavidades internas. Retire a bandeja para migalhas e a esvazie. Para limpar a bandeja, utilize um pano úmido ou coloque-a na parte superior da máquina de lavar louças. Certifique-se de que a bandeja para migalhas esteja colocada novamente na torradeira antes de ser usada novamente.


PRECAUÇÃO: Esvazie a bandeja para migalhas frequentemente. As migalhas se acumulam e podem incendiar-se caso a bandeja não seja limpa.

3. Limpe a superfície superior das aberturas com um pano úmido e seque-a com outro pano seco ou papel toalha.

IMPORTANTES MESURES DE SÉCURITÉ

L'utilisation d'un Grille-pain exige certaines précautions fondamentales, y compris les suivantes:

LISEZ TOUTES LES INSTRUCTIONS AVANT D'UTILISER L'APPAREIL.

1. Débranchez l'appareil s'il ne sert pas et avant de le nettoyer. Laissez refroidir avant de mettre ou d'enlever des pièces.
2. **NE** touchez pas aux surfaces chaudes . Les pièces en métal deviennent brûlantes. Employez poignées ou boutons.
3. Débranchez la prise avant nettoyage pour éviter un choc électrique.
4. Pour éviter d'être électrocuté, **NE PAS** plonger le cordon, la fiche électrique ou la base du moteur dans l'eau ou toute autre liquide.
5. **NE** laissez pas pendre le cordon au bord de la table ou du plan de travail; veillez à ce qu'il ne touche pas à une surface chaude.
6. **NE** le laissez jamais sans surveillance quand il fonctionne.
7. Jeunes enfants et personnes invalides ne devraient pas utiliser l'appareil; redoublez de vigilance dans le cas des enfants plus âgés.
8. **NE** faites pas fonctionner le Grille-pain et ne le posez pas sur une surface non résistante à la chaleur ou inflammable, sur ou à proximité d'un brûleur à gaz ou d'une plaque électrique en marche, dans un four chaud ou dans un four à micro-ondes
9. Pour réduire les risques d'incendie ou de chocs électriques ne mettez pas d'ustensiles ou bien d'aliments enveloppés de feuille d'aluminium ou surdimensionnés dans le Grille-pain, n'introduisez ni vos doigts ni des ustensiles en métal dans les fentes quand le Grille-pain est branché.
10. **NE** tentez pas de déloger un aliment si l'appareil est branché.
11. N'y placez pas d'aliments glacés ou dotés d'une garniture risquant de couler une fois chaude. Non-hygiéniques, les d'égouttures peuvent causer un incendie ou un mauvais fonctionnement. Enlevez souvent les miettes qui s'accumulent dans le ramasse-miettes pour prévenir incendies et pannes. N'employez jamais le Grille-pain sans que le ramasse-miettes ne soit en place.
12. N'utilisez pas un appareil équipé d'un cordon ou d'une fiche abîmée, qui a mal fonctionné ou a été endommagé de quelque façon. Retournez-le au centre de service OSTER® agréé le plus proche pour lui faire subir les contrôles, réparations ou réglages électriques ou mécaniques nécessaires.
13. Conçu pour l'usage domestique, le Grille-pain ne doit être utilisé ni à l'air libre ni à des fins commerciales.
14. N'employez le Grille-pain qu'aux fins auxquelles il est destiné, tel que décrit dans cette notice. Ne vous servez pas d'accessoires qui ne sont pas formellement conseillés par le fabricant, ils pourraient être source de blessures.
15. Il y a un risque d'incendie si le grille-pain est couvert, en contact, à proximité ou en dessous d'un matériau inflammable, par exemple rideaux, draperies, murs etc. pendant sa mise en marche.
16. Assurez-vous que la manette soit en position haute avant de brancher ou de débrancher le Grille-pain.

17. Cet appareil n'est pas destiné à être utilisé par des personnes (enfants y compris) dont les capacités physiques, sensorielles ou mentales sont diminuées, ou qui ne disposent pas des connaissances ou de l'expérience nécessaire, à moins qu'elles n'aient été formées et encadrées pour l'utilisation de cet appareil par une personne responsable de leur sécurité. Les enfants doivent être surveillés pour s'assurer qu'ils **NE** jouent pas avec l'appareil.
18. Les enfants et personnes handicapées doivent être surveillés lorsqu'ils utilisent l'appareil ou que l'appareil est utilisé à côté d'eux.
19. Cet appareil n'est pas conçu pour être utilisé par le biais d'une minuterie externe ou d'un système de télécommande séparé.
20. Cet appareil est destiné à être utilisé à la maison et dans des environnements similaires tels que: l'espace cuisine des employés de boutiques, d'entreprises ou autre environnement de travail, maisons de ferme, par les clients.

CET APPAREIL EST DESTINÉ À UN USAGE MÉNAGER UNIQUEMENT.

CONSERVEZ CES INSTRUCTIONS

INSTRUCTIONS SPÉCIALES QUANT AU CORDON

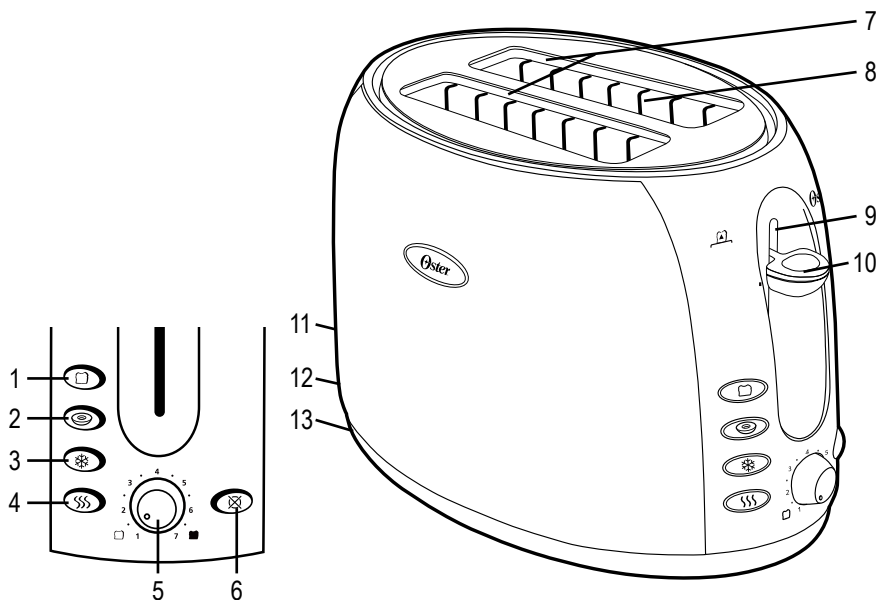
Veuillez observer ces instructions par mesure de sécurité.

- Ce Grille-pain est équipé d'un cordon de longueur réglable, adaptable selon vos besoins particuliers. Placez de préférence le Grille-pain près de la prise de courant (afin que le cordon ne risque pas de faire trébucher, comme le ferait un cordon long).
- Ne tirez pas sur le cordon, ne le tordez pas et ne lui faites pas subir de mauvais traitements.
- N'utilisez pas un appareil électrique équipé d'un cordon ou d'une fiche abîmée, qui a mal fonctionné ou bien a été échappé ou endommagé de quelque façon.
- Débranchez le Grille-pain s'il ne sert pas et avant de le nettoyer.
- N'enroulez pas le cordon autour du corps du Grille-pain pendant ou après l'utilisation.

Utilisation de Corde de Prolongation

L'appareil est livré avec un cordon d'alimentation court pour réduire les risques d'enchevêtrement ou de trébuchement accidentel. Un cordon d'extension peut être acheté et utilisé à condition de prendre des précautions. Si une rallonge électrique est utilisée, le calibre électrique indiqué sur la rallonge devrait être au moins soit aussi grande que l'estimation électrique d'appareil. La rallonge devrait être placée de sorte quelle ne tombe pas du compteur ou du dessus de table là où des enfants pourraient l'attraper ou s'accrocher accidentellement dans celle-ci.

DESCRIPTION DE L'APPAREIL



- | | |
|---|----------------------------------|
| 1. Bouton Toast (Pain grillé) avec voyant | 6. Bouton d'Annulation |
| 2. Bouton « Bagel » (Baguel) avec Voyant | 7. Fentes Très Grandes |
| 3. Bouton « Frozen » (Congelé) avec Voyant | 8. Rampe pour guider le pain |
| 4. Bouton « Warm » (Garde-au-chaud) avec voyant | 9. Lève Rôties |
| 5. Bouton Clair/Foncé | 10. Manette du Chariot |
| | 11. Ramasse-miettes amovible (s) |
| | 12. Cordon |
| | 13. Range Cordon |

FAMILIARISEZ-VOUS AVEC VOTRE GRILLE-PAIN

1. **Bouton Toast (Pain grillé) avec voyant** – Appuyez sur ce bouton pour griller du pain. Le voyant s'allume pour confirmer que « Bagel° » (Baguel) a été sélectionné.
2. **Bouton Bagel (Baguel) avec voyant** – Appuyez sur ce bouton pour griller un baguel. Le voyant s'allume pour confirmer que Bagel (Baguel) a été sélectionné.
3. **Bouton « Frozen » (Congelé) avec Voyant** – Appuyez sur ce bouton si l'aliment est surgelé. Utilisez ce bouton en combinaison avec le bouton « Bagel » (Baguel) ou « Toast » (Toast). Décongélation et grillage se font automatiquement en une seule opération. Le voyant s'allumera en appuyant sur le bouton.
4. **Bouton Warm (Garde au chaud) avec voyant** – Appuyez sur ce bouton pour réchauffer les aliments grillés. Le voyant s'allume pour confirmer que « Warm » (Réchauffer) a été sélectionné.
5. **Bouton Clair - Foncé** – Vous le tournez selon le degré de cuisson préféré ; 1 est le réglage le plus clair et 7 le plus foncé.
6. **Bouton d'Annulation** – Vous le pressez pour faire éjecter les aliments et interrompre le cycle de grillage
7. **Fentes** – Ont 3,3 cm (1,3 po) de largeur : acceptent baguels, tranches de pain épaisses et pains moufflets.
8. **Deux Guide-Pain Auto réglables** – S'ajustent automatiquement selon l'épaisseur des tranches.
9. **Lève Rôties** – Vous mettez la manette du chariot en position extra-haute pour sortir les aliments des fentes.
10. **Manette du Chariot** – Le grillage débute quand vous l'abaissez.
11. **Ramasse-miettes amovible** – Pour le nettoyage commode et facile.
12. **Cordon**
13. **Range Cordon** – Nettement rangé sous le Grille-pain, l'excédent de cordon ne gêne pas.

PRÉPARATIFS POUR LA TOUTE PREMIÈRE UTILISATION

Si vous utilisez le Grille-pain pour la toute première fois:

1. Retirez les étiquettes qui adhèrent au Grille-pain et essayez le corps avec un linge humide.
2. Faites glisser le ramasse-miettes amovible en place.
3. Assurez-vous que la manette du chariot est dans sa position la plus élevée avant de brancher le Grille-pain.
4. Décidez où placer le Grille-pain. Choisissez un endroit –
 - Plat, résistant à la chaleur et ininflammable ;
 - À au moins 8 cm (3 po) des murs ou du dosseret du plan de travail ;
 - Au moins 30 cm (1 pied) loin de tout coffret ou étagère qui peuvent être au-dessus du grille-pain ;
 - Éloigné des matériaux inflammables, rideaux et murs tapissés de tissu, par exemple ;
 - Éloigné des foyers de cuisson à gaz ou électriques.
5. Branchez le cordon sur une prise de courant.

Pour modifier la longueur du cordon :

Enroulez le cordon autour des ergots prévus à cet effet sous le socle de l'appareil, jusqu'à ce que la longueur convienne. Consultez les renseignements de sécurité fournis sous « Instructions Spéciales Quant au Cordon ».

6. Sans mettre quoi que ce soit dans les fentes, abaissez la manette du chariot jusqu'à ce qu'elle se bloque. (Elle ne se bloquerait que si le Grille-pain est branché). Ce tout premier grillage à vide réchauffe les éléments et brûle la poussière ayant pu s'accumuler au cours de l'entreposage. L'odeur qui se dégage est tout à fait normale. Votre Grille-pain OSTER® est prêt à l'emploi.

UTILISATION DU GRILLE-PAIN

Pose des aliments dans les fentes et grillage :

Vous êtes maintenant prêt à placer les tranches dans les fentes. Tenez compte des conseils pratiques suivants :

- La plupart des pains et des pâtisseries peuvent être grillés, y compris les baguels, les brioches plates, les tranches de pain épaisses, les pains moufflets, les gaufres, et autres. Les tranches ne doivent cependant pas être si épaisses qu'elles se coincent dans les fentes. N'oubliez pas que le grillage ordinaire est le réglage par défaut.
- Deux tranches de pain qui grillent simultanément doivent être de mêmes épaisseur et fraîcheur pour cuire uniformément.

- Pour faire griller deux tranches de pain d'un coup, placez une tranche au milieu de chaque fente.
- Dans le cas d'une seule tranche, placez-la au centre de l'une ou de l'autre des fentes.

Une fois les tranches posées dans les fentes :

1. Sélectionnez le degré de brunissement souhaité en tournant le bouton Clair/Foncé.
2. Abaissez la manette du chariot jusqu'à ce qu'elle se bloque.

Les guide-pain auto réglables vont centrer automatiquement les aliments pour un brunissement uniforme.

Truc: OSTER® a conçu ce Grille-pain pour qu'il fournisse le grillage optimal. Il est possible – et normal – que certaines parties des éléments rougeoient plus vivement que d'autres au cours du fonctionnement.

Après que le niveau désiré de l'obscurité aura été atteint, la nourriture sautera vers le haut automatiquement. Le levier de chariot de pain reviendra à sa position originale et les voyants de signalisation s'éteindront.

3. Retirez prudemment les tranches des fentes.

AVERTISSEMENT: Les aliments juste grillés sont très chauds. Agissez avec prudence.

Truc: Si un aliment se coince dans une fente, débranchez et laissez refroidir le Grille-pain avant de retirer l'aliment.

AVERTISSEMENT: Ne mettez jamais vos doigts ou des ustensiles métalliques dans les fentes.

UTILISATION DE LA FONCTION ALIMENTS (TOAST, BAGEL, [PAIN GRILLÉ, BAGUEL])

Le grille-pain OSTER® Toaster ajustera le réglage Clair/Foncé selon le type d'aliment que vous grillez. Vous devez sélectionner le type d'aliment que vous voulez griller afin le grille-pain puisse se régler en conséquence. Toast est le réglage par défaut si aucun bouton d'aliment ou de fonction n'est choisi.

Pour sélectionner le type d'aliment :

Choisir un mode parmi Toast (Pain grillé) ou Bagel (Baguel).

- Appuyez sur le levier du toaster pour le faire descendre.
- Appuyez sur le bouton Toast si vous allez griller du pain. Le voyant de pain grillé s'allume. Cette option permet au grille-pain de régler le temps nécessaire au grillage du pain selon le degré de brunissement sélectionné.

- Appuyez sur le bouton « Bagel » (Baguel) si vous allez griller un baguel. Le voyant Bagel (Baguel) s'allume. Cette option étant réglée, le grille-pain ajustera la durée grillage des baguels selon le degré de brunissement que vous avez choisi.

UTILISATION DE LA FONCTION FROZEN FOOD (ALIMENTS CONGELÉS)

Le Grille-pain est capable de décongeler les aliments surgelés puis de les griller. Vous pouvez donc désormais sortir un baguel surgelé du congélateur et le griller dans votre Grille-pain en une seule opération.

Pour décongeler et griller du pain :

1. Placez le pain dans le chariot
2. Appuyez sur la manette du chariot du grille-pain.
3. Appuyez sur le bouton Frozen (Congelé) si l'aliment est congelé puis sélectionnez le type d'aliment en appuyant sur le bouton correspondant.
4. Sélectionnez le degré de brunissement souhaité en tournant le bouton Clair/Foncé.

UTILISATION DE LA FONCTION WARM (RÉCHAUFFER)

L'aliment grillé sera-t-il prêt avant de passer à table ? Cette fonction permet de réchauffer un aliment grillé/cuit.

Pour réchauffer un aliment :

1. Appuyez sur la manette du chariot du grille-pain.
2. Appuyez sur le bouton Warm (Réchauffer). Le cas échéant, appuyez sur Food Select (Aliments). Le voyant Warm (Réchauffer) s'allume et le grille-pain réchauffe l'aliment.

INTERRUPTION DU GRILLAGE

Pour interrompre le cycle de grillage:

Appuyez sur le bouton d'annulation « Cancel ». Le grillage cessera immédiatement et les tranches seront automatiquement éjectées.

TRUCS UTILES

Pose des aliments dans les fentes et grillage:

Vous êtes maintenant prêt à placer les tranches dans les fentes. Tenez compte des conseils pratiques suivants:

- La plupart des pains et des pâtisseries peuvent être grillés, y compris les baguels, les brioches plates, les tranches de pain épaisses, les pains moufflets, les gaufres, et autres. Les tranches ne doivent cependant pas être si épaisses qu'elles se coincent dans les fentes. N'oubliez pas que le grillage ordinaire est le réglage par défaut.
- Deux tranches de pain qui grillent simultanément doivent être de mêmes épaisseur et fraîcheur pour cuire uniformément.
- Pour faire griller deux tranches de pain d'un coup, placez une tranche au milieu de chaque fente.
- Dans le cas d'une seule tranche, placez-la au centre de l'une ou de l'autre des fentes.

ENTRETIEN DU GRILLE-PAIN

Débranchez le Grille-pain en fin d'utilisation et avant le nettoyage ; attendez qu'il ait refroidi pour le nettoyer.

1. Essuyez l'extérieur de votre Grille-pain avec un linge humide puis asséchez-le à l'aide d'un linge sec ou d'un essuie-tout. Ne vous servez pas de nettoyeurs abrasifs, ils abîmeraient irrémédiablement le fini.

AVERTISSEMENT: N'employez pas d'articles pointus ou coupants pour nettoyer l'intérieur, vous endommageriez le Grille-pain. Ne plongez pas le Grille-pain dans l'eau ou dans un autre liquide.

2. Tapez légèrement sur les côtés du Grille-pain pour déloger les dernières miettes de la chambre de grillage. Sortez le ramasse-miettes et videz-le ; essuyez-le avec un linge humide ou bien lavez-le dans le panier supérieur du lave-vaisselle. Remettez le ramasse-miettes en place avant d'utiliser le Grille-pain.

AVERTISSEMENT: Videz souvent le ramasse-miettes sinon les miettes qui s'y accumulent pourraient s'enflammer.

3. Essuyez la surface qui se trouve au haut des fentes avec un linge humide puis séchez-la à l'aide d'un linge sec ou d'un essuie-tout.



Electric characteristics of series models: Características eléctricas de los modelos de la serie: Características elétricas dos modelos da série:		TSSTJC5BBK-XXX
Voltage/Voltaje/ Voltagem	Frequency/Frecuencia/Frequência	Power/Potencia/ Potência
120 V	60 Hz	800 W
127 V	60 Hz	800 W
220 V	50/60 Hz	800 W
220 V	50 Hz	800 W
220 V	60 Hz	800 W

XXX where X is any number between 0 and 9 or any letter between A and Z.
XXX en donde X es cualquier numero entre 0 y 9 o cualquier letra entre A y Z.
XXX onde X é qualquer número entre 0 e 9 ou qualquer letra entre A e Z.

The following information is intended for Mexico only.
La siguiente información es para México solamente.
A informação a seguir é somente para o México.

TOSTADORA OSTER®

MODELOS: TSSTJC5BBK, TSSTJC5BBK -013
LEA EL INSTRUCTIVO ANTES DE USAR EL APARATO
LA SIGUIENTE INFORMACIÓN ES PARA MÉXICO:

IMPORTADOR: SUNBEAM MEXICANA, S.A. DE C.V.

AV. JUÁREZ No. 40-201,
EX-HACIENDA DE SANTA MÓNICA,
TLALNEPANTLA, ESTADO DE MÉXICO,
C.P. 54050, R.F.C. SME570928G90, TEL. 53660800
PAÍS DE ORIGEN: CHINA
PAÍS DE PROCEDENCIA: CHINA, E.U.A.

CARACTERÍSTICAS ELÉCTRICAS

60 Hz 120 V ~ 800 W

CONTENIDO: 1 PIEZA



© 2013 Sunbeam Products, Inc. All rights reserved. Distributed by Sunbeam Latin America, LLC, 5200 Blue Lagoon Drive, Suite 470, Miami, FL 33126.

One year limited warranty – please see insert for details.

© 2013 Sunbeam Products, Inc. Todos los derechos reservados. Distribuido por Sunbeam Latin America, LLC, 5200 Blue Lagoon Drive, Suite 470, Miami, FL 33126.

Garantía limitada de un año – por favor consulte los detalles en el inserto.

© 2013 Sunbeam Products, Inc. Todos os direitos reservados. Distribuído pela Sunbeam Latin America, LLC, 5200 Blue Lagoon Drive, Suite 470, Miami, FL 33126.

Garantia limitada de um ano – para maiores detalhes, consulte o certificado.

© 2013 Sunbeam Products, Inc. Tout droit réservé. Distribué par by Sunbeam Latin America, LLC, 5200 Blue Lagoon Drive, Suite 470, Miami, FL 33126.

Une année de garantie limitée – veuillez lire le feuillet sur la garantie pour plus de détails.