



14.4 & 18 Volt Cordless Drills

INSTRUCTION MANUAL

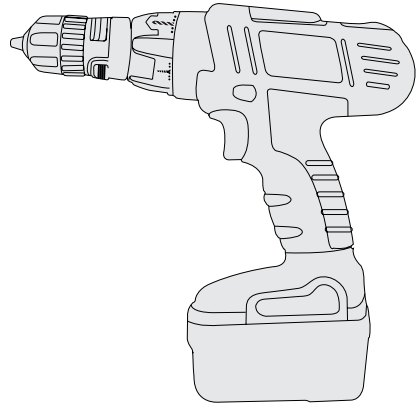
Catalog No. HPD1402, HPD1802

BEFORE RETURNING THIS PRODUCT FOR ANY REASON PLEASE CALL

1-800-54-HOW-TO (544-6986)

IF YOU SHOULD EXPERIENCE A PROBLEM WITH YOUR BLACK & DECKER PRODUCT, CALL 1-800-54-HOW-TO (544-6986)

BEFORE YOU CALL, HAVE THE FOLLOWING INFORMATION AVAILABLE, CATALOG No., TYPE No., AND DATE CODE (e.g. 20000130M). IN MOST CASES, A **BLACK & DECKER** REPRESENTATIVE CAN RESOLVE YOUR PROBLEM OVER THE PHONE. IF YOU HAVE A SUGGESTION OR COMMENT, GIVE US A CALL. YOUR FEEDBACK IS VITAL TO BLACK & DECKER.



SAVE THIS MANUAL FOR FUTURE REFERENCE.

VEA EL ESPAÑOL EN LA CONTRAPORTADA.

INSTRUCTIVO DE OPERACIÓN, CENTROS DE SERVICIO Y PÓLIZA DE GARANTÍA. **ADVERTENCIA:** LEASE ESTE INSTRUCTIVO ANTES DE USAR EL PRODUCTO.

Cat. # HPD1402, HPD1802 Form # 497158-33
(June-04) Copyright © 2004 Black & Decker Printed in China

General Safety Rules

WARNING: Read and understand all instructions. Failure to follow all instructions listed below may result in electric shock, fire and/or serious personal injury.

SAVE THESE INSTRUCTIONS

Work Area

- **Keep your work area clean and well lit.** Cluttered benches and dark areas invite accidents.
- **Do not operate power tools in explosive atmospheres, such as in the presence of flammable liquids, gases, or dust.** Power tools create sparks which may ignite the dust or fumes. Use in well ventilated areas only.
- **Keep bystanders, children, and visitors away while operating a power tool.** Distractions can cause you to lose control.

Electrical Safety

- **Double insulated tools are equipped with a polarized plug (one blade is wider than the other.) This plug will fit in a polarized outlet only one way. If the plug does not fit fully in the outlet, reverse the plug. If it still does not fit, contact a qualified electrician to install a polarized outlet. Do not change the plug in any way.** Double insulation eliminates the need for the three wire grounded power cord and grounded power supply system.
- **Avoid body contact with grounded surfaces such as pipes, radiators, ranges and refrigerators.** There is an increased risk of electric shock if your body is grounded.
- **Don't expose power tools to rain or wet conditions.** Water entering a power tool will increase the risk of electric shock.
- **Do not abuse the cord. Never use the cord to carry the tools or pull the plug from an outlet. Keep cord away from heat, oil, sharp edges or moving parts. Replace damaged cords immediately.** Damaged cords increase the risk of electric shock.
- **When operating a power tool outside, use an outdoor extension cord marked "W-A" or "W."** These cords are rated for outdoor use and reduce the risk of electric shock.

Personal Safety

- **Stay alert, watch what you are doing and use common sense when operating a power tool. Do not use tool while tired or under the influence of drugs, alcohol, or medication.** A moment of inattention while operating power tools may result in serious personal injury.
- **Dress properly. Do not wear loose clothing or jewelry. Contain long hair. Keep your hair, clothing, and gloves away from moving parts.** Loose clothing, jewelry, or long hair can be caught in moving parts. Air vents cover moving parts and should be avoided.
- **Avoid accidental starting. Be sure switch is off before plugging in.** Carrying tools with your finger on the switch or plugging in tools that have the switch on invites accidents.
- **Remove adjusting keys or wrenches before turning the tool on.** A wrench or key that is left attached to a rotating part of the tool may result in personal injury.
- **Do not overreach. Keep proper footing and balance at all times.** Proper footing and balance enables better control of the tool in unexpected situations.
- **Use safety equipment. Always wear eye protection.** Dust mask, non-skid safety shoes, hard hat, or hearing protection must be used for appropriate conditions.

Tool Use and Care

- **Use clamps or other practical way to secure and support the workpiece to a stable platform.** Holding the work by hand or against your body is unstable and may lead to loss of control.
- **Do not force tool. Use the correct tool for your application.** The correct tool will do the job better and safer at the rate for which it is designed.
- **Do not use tool if switch does not turn it on or off.** Any tool that cannot be controlled with the switch is dangerous and must be repaired.
- **Disconnect the plug from the power source before making any adjustments, changing accessories, or storing the tool.** Such preventative safety measures reduce the risk of starting the tool accidentally.
- **Store idle tools out of reach of children and other untrained persons.** Tools are dangerous in the hands of untrained users.
- **Maintain tools with care. Keep cutting tools sharp and clean.** Properly maintained tools, with sharp cutting edges are less likely to bind and are easier to control.

- **Check for misalignment or binding of moving parts, breakage of parts, and any other condition that may affect the tools operation. If damaged, have the tool serviced before using.** Many accidents are caused by poorly maintained tools.
- **Use only accessories that are recommended by the manufacturer for your model.** Accessories that may be suitable for one tool, may become hazardous when used on another tool.

Service

- **Tool service must be performed only by qualified repair personnel.** Service or maintenance performed by unqualified personnel could result in a risk of injury.
- **When servicing a tool, use only identical replacement parts. Follow instructions in the Maintenance section of this manual.** Use of unauthorized parts or failure to follow Maintenance Instructions may create a risk of electric shock or injury.

Specific Safety Rules

- **Hold tool by insulated gripping surfaces when performing an operation where the cutting tool may contact hidden wiring or its own cord.** Contact with a "live" wire will make exposed metal parts of the tool "live" and shock the operator.
- **When working on a ladder or on scaffolding be sure to lay the tool down on its side when not in use.** Some tools with large battery packs will stand upright but may be easily knocked over.

WARNING: Some dust created by power sanding, sawing, grinding, drilling, and other construction activities contains chemicals known to cause cancer, birth defects or other reproductive harm. Some examples of these chemicals are:

- lead from lead-based paints,
- crystalline silica from bricks and cement and other masonry products, and
- arsenic and chromium from chemically-treated lumber. (CCA)

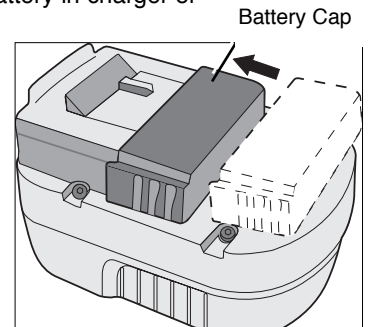
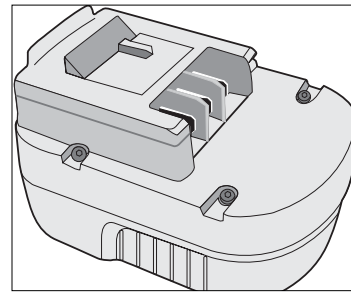
Your risk from these exposures varies, depending on how often you do this type of work. To reduce your exposure to these chemicals: work in a well ventilated area, and work with approved safety equipment, such as those dust masks that are specially designed to filter out microscopic particles.

The label on your tool may include the following symbols.

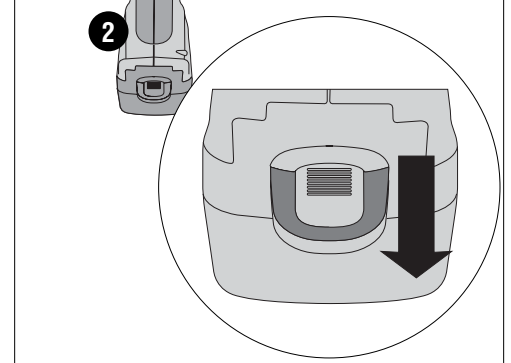
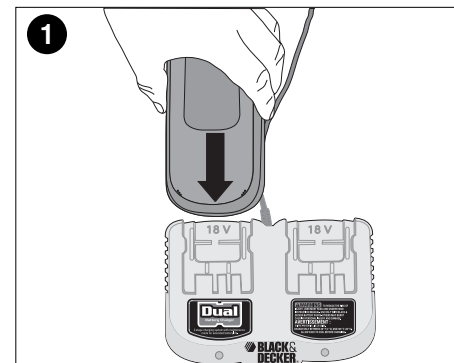
V	volts	A	amperes
Hz	hertz	W	watts
min	minutes	~	alternating current
—	direct current	n _o	no load speed
□	Class II Construction	⊕	earthing terminal
⚠	safety alert symbol	.../min	revolutions or reciprocations per minute

BATTERY CAP INFORMATION

Battery storage and carrying caps are provided for use whenever the battery is out of the tool or charger. Remove cap before placing battery in charger or tool.

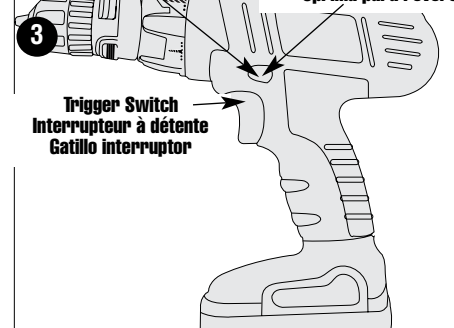


WARNING: Do not store or carry battery so that metal objects can contact exposed battery terminals. For example, do not place battery in aprons, pockets, tool boxes, product kit boxes, drawers, etc. with loose nails, screws, keys, etc. without battery cap. Transporting batteries can possibly cause fires if the battery terminals inadvertently come in contact with conductive materials such as keys, coins, hand tools and the like. The US Department of Transportation Hazardous Material Regulations (HMR) actually prohibit transporting batteries in commerce or on airplanes (i.e. packed in suitcases and carryon luggage) UNLESS they are properly protected from short circuits. So when transporting individual batteries, make sure that the battery terminals are protected and well insulated from materials that could contact them and cause a short circuit."



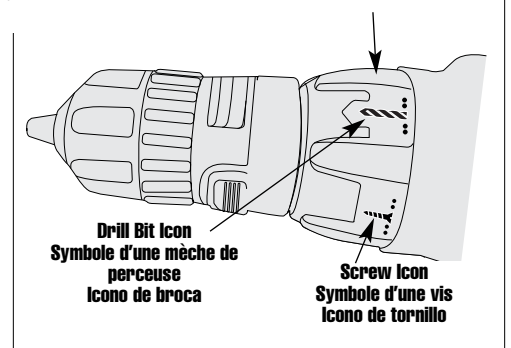
Depress for reverse (this side)
Enfoncer pour la marche arrière
Oprima para marcha hacia adelante

Depress for forward (other side)
Enfoncer pour la marche avant
Oprima para reversa



Trigger Switch
Interrupteur à détente
Gatillo interruptor

Torque Adjust Collar
collier de réglage du couple
collarín de ajuste de par (torque)

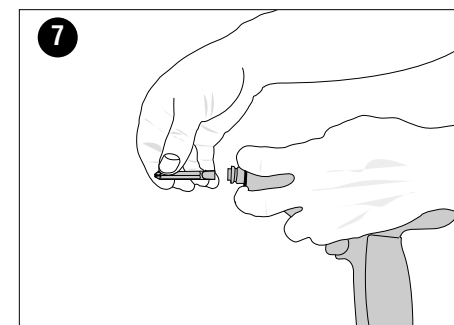
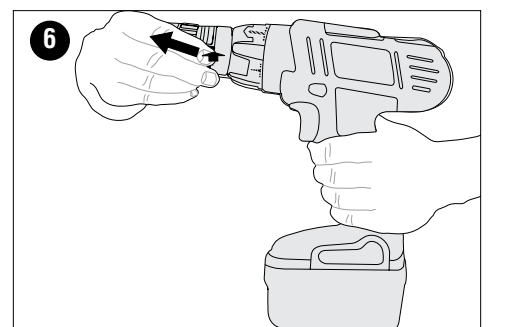


Drill Bit Icon
Symbole d'une mèche de perceuse
Icono de broca

Screw Icon
Symbole d'une vis
Icono de tornillo



Gear Shifter
Sélecteur de vitesses
Palanca de cambio de engranes



⚠ Important Safety Instructions

- **SAVE THESE INSTRUCTIONS.**
- Before using charger, read and understand all instructions and cautionary markings on (1) charger, (2) battery pack, and (3) product using battery pack.
- ⚠ **DANGER:** 120 volts present at charging terminals. Do not probe with conductive objects. Danger of electric shock or electrocution.
- ⚠ **DANGER:** If battery pack case is cracked or damaged, do not insert into charger. Danger of electric shock or electrocution.
- ⚠ **DANGER:** Never attempt to open the battery pack for any reason. If the plastic housing of the battery pack breaks or cracks, return to a service center for recycling.
- ⚠ **WARNING:** Don't allow any liquid to get inside charger. Electric shock may result.
- ⚠ **CAUTION:** To reduce risk of injury, charge only Black & Decker rechargeable batteries. Other types of batteries may burst, causing personal injury and damage.
- To facilitate the cooling of the battery pack after use, avoid placing the charger or battery pack in a warm environment such as in a metal shed, or an uninsulated trailer.
- Do not expose charger to rain or snow.
- Use of an attachment not recommended or sold by Black & Decker may result in risk of fire, electric shock, or injury to persons.
- This charger is not intended for any uses other than charging Black & Decker rechargeable batteries. Any other uses may result in risk of fire, electric shock or electrocution.
- To reduce risk of damage to electric plug and cord, pull by plug rather than cord when disconnecting charger.
- Make sure cord is located so that it will not be stepped on, tripped over, or otherwise subjected to damage or stress.
- An extension cord should not be used unless absolutely necessary. Use of improper extension cord could result in risk of fire, electric shock, or electrocution. If an extension cord must be used, make sure:
 - That the pins on plug of extension cord are the same number, size and shape of those of plug on charger.
 - That extension cord is properly wired and in good electrical condition and the wire size is large enough for AC ampere rating of charger as specified below.

An extension cord must have adequate wire size (AWG or American Wire Gauge) for safety. The smaller the gauge number of the wire, the greater the capacity of the cable, that is, 16 gauge has more capacity than 18 gauge. When using more than one extension to make up the total length, be sure each individual extension contains at least the minimum wire size.

RECOMMENDED MINIMUM AWG SIZE FOR EXTENSION CORDS

Total Extension Cord Length (feet)	25	50	75	100	125	150	175
Wire Gauge	18	18	16	16	14	14	12

- The charger is ventilated through slots in the housing. Do not place any object on top of charger or place the charger on a soft surface that might block the ventilation slots and result in excessive internal heat. Place the charger in a position away from any heat source.
- Do not operate charger with damaged cord or plug — have them replaced immediately.
- Do not operate charger if it has received a sharp blow, been dropped, or otherwise damaged in any way; take it to an authorized service center.
- Do not disassemble charger; take it to an authorized service center when service or repair is required. Incorrect reassembly may result in risk of electric shock, electrocution or fire.
- The charger is designed to operate on standard 120 VAC, 60Hz household electrical power. Do not attempt to use it on any other voltage.
- To reduce risk of electric shock, unplug charger from outlet before attempting any cleaning. Removing the battery pack will not reduce this risk.
- NEVER attempt to connect 2 chargers together.
- DO NOT store or use the tool and battery pack in locations where the temperature may reach or exceed 105°F (such as outside sheds or metal buildings in summer).
- A small leakage of liquid from the battery cells may occur under extreme usage, charging or temperature conditions. This does not indicate a failure. However, if the outer seal is broken and this leakage gets on your skin:
 - a. Wash quickly with soap and water.
 - b. Neutralize with a mild acid such as lemon juice or vinegar.
 - c. If the battery liquid gets in your eyes, flush them with clean water for a minimum of 10 minutes and seek immediate medical attention. **MEDICAL NOTE:** The liquid is a 25-35% solution of potassium hydroxide.

SAVE THESE INSTRUCTIONS

Introduction

READ AND UNDERSTAND ALL OF THE INSTRUCTIONS IN THIS MANUAL BEFORE ATTEMPTING TO CHARGE THE BATTERY PACK FOR YOUR TOOL.

Your charger is designed to use standard 120 volt AC, 60 Hz power. Do not use DC or any other voltage. Charge time is 3 to 6 hours depending on battery pack type and condition.

Charging Procedure

1. Plug the charger into an appropriate outlet.
2. Insert 1 or 2 batteries into the charger (Figure 1).

NOTE: Charge time is the same for multiple batteries. Be sure the battery is fully seated in the charger. The red "Charging Indicator" light will come on indicating that there is contact between the battery and charger. The light will stay on as long as the battery is in the charger and the charger is plugged into a working outlet. It **WILL NOT** flash, go out or change to a different color when the charging cycle is complete.

Remove pack from the charger and place in tool. **NOTE:** To remove the battery from the tool, press down on the release button on the back of the battery (Figure 2) and pull out.

Leaving the Battery Pack in the Charger

The charger and battery pack can be left connected with the red light glowing indefinitely. The charger will keep the battery pack fresh and fully charged.

NOTE: A battery pack will slowly lose its charge when kept out of the charger. If the battery pack has not been kept on maintenance charge, it may need to be recharged before use. A battery pack may also slowly lose its charge if left in a charger that is not plugged into an appropriate AC source.

Important Charging Notes

1. Longest life and best performance can be obtained if the battery pack is charged when the air temperature is between 65°F and 75°F (18°- 24°C). DO NOT charge the battery pack in an air temperature below +40°F(+4.5°C), or above +105°F (+40.5°C). This is important and will prevent serious damage to the battery pack.
2. The charger and battery pack may become warm to touch while charging. This is a normal condition, and does not indicate a problem.
3. If the battery pack does not charge properly — (1) Check power at receptacle by plugging in a lamp or other appliance. (2) Check to see if receptacle is connected to a light switch which turns power off when you turn out the lights. (3) Move charger and battery pack to a location where the surrounding air temperature is approximately 65°F - 75°F (18°- 24°C). (4) If charging problems persist, take or send the tool, battery pack and charger to your local service center.
4. The battery pack should be recharged when it does not produce sufficient power on jobs which were easily done previously. DO NOT CONTINUE use under these conditions. Follow the charging procedures. You may also charge a partially used pack whenever you desire with no adverse affect on the battery pack.
5. Black & Decker battery packs that are labeled "NiMH" should only be used with chargers labeled "NiMH" or "NiCd/NiMH."
6. Under certain conditions, with the charger plugged into the power supply, the exposed charging contacts inside the charger can be shorted by foreign material. Foreign materials of a conductive nature such as, but not limited to, steel wool, aluminum foil, or any buildup of metallic particles should be kept away from charger cavities. Always unplug the charger from the power supply when there is no battery pack in the cavity. Unplug charger before attempting to clean.
7. Do not immerse charger in water or any other liquid.

Operating Instructions

TRIGGER SWITCH & REVERSING BUTTON - FIGURE 3

The drill is turned ON and OFF by pulling and releasing the trigger switch shown in Figure 3. The farther the trigger is depressed, the higher the speed of the drill. A forward/reverse control button determines the direction of the tool and also serves as a lock off button. To select forward rotation, release the trigger switch and depress the forward/reverse control button. To select reverse, depress the forward/reverse control button the opposite direction. The center position of the control button locks the tool in the off position. When changing the position of the control button, be sure the trigger is released.

TORQUE CONTROL - FIGURE 4

To set the tool's torque, rotate the adjustable torque collar as required. There are 36 clutch settings in all. These are indicated by screw icons depicted on the torque collar. For light duty work when using small screws, set the collar to the smallest screw icon. Each click in a clockwise direction means an increase in the torque produced. The highest position is the drill mode and is indicated by a drill bit icon. In this position the clutch will not operate. This permits heavy duty drilling.

DUAL RANGE GEARING - FIGURE 5

The dual range feature of your drill allows you to shift gears for greater versatility. To select low speed, high torque setting (position 1), turn tool off and permit to stop. Push button forward towards the chuck. To select the high speed, low torque setting (position 2), turn tool off and permit to stop. Slide gear shifter back (away from chuck). NOTE: Do not change gears when tool is running. If you are having trouble changing gears, make sure that the dual range gear button is either completely pushed forward or completely pushed back.

KEYLESS CHUCK

To insert a drill bit or other accessory:

1. Grasp the rear half of the chuck with one hand and use your other hand to rotate the front half in the counterclockwise direction, as viewed from the chuck end.
2. Insert the bit or other accessory fully into the chuck, and tighten securely by holding the rear half of the chuck and rotating the front portion in the clockwise direction as viewed from the chuck end.

⚠ **WARNING:** Do not attempt to tighten drill bits (or any other accessory) by gripping the front part of the chuck and turning the tool on. Damage to the chuck and personal injury may occur when changing accessories.

REMOVABLE CHUCK WITH QUICK CONNECT™ BIT CHANGE SYSTEM- FIGURE 6

Another unique feature of your drill is the ability to remove the chuck quickly and easily. This allows for a drill bit to be in the keyless chuck, while another accessory such as a screwdriver bit, can be inserted into the Quick Connect™ hex shaft at the same time.

To remove the chuck:

1. Grasp the drill and depress the two orange buttons on the chuck collar as shown in Figure 6.
2. With the buttons depressed, pull straight out.

To replace the chuck:

1. Push the quick connect chuck straight on with a slight twisting motion until you hear it click into place.

To insert a screwdriver bit into the Quick Connect™ hex shaft, push the bit in until you hear it click into place. To remove the bit, hold the drill as shown in figure 7. Push in evenly on the spring loaded disc with two fingers and pull the bit straight out.

SCREW DRIVING

For driving fasteners, the reversing button should be pushed to the left. Use reverse (button pushed to the right) for removing fasteners. When moving from forward to reverse, or vice versa, always release the trigger switch first.

ON BOARD BIT STORAGE

A bit storage slot is built-in to the area just above the battery.

DRILLING

- Use sharp drill bits only.
 - Support and secure work properly, as instructed in the Safety Instructions.
 - Use appropriate and required safety equipment, as instructed in the Safety Instructions.
 - Secure and maintain work area, as instructed in the Safety Instructions.
 - Run the drill very slowly, using light pressure, until the hole is started enough to keep the drill bit from slipping out of it.
 - Apply pressure in a straight line with the bit. Use enough pressure to keep the bit biting but not so much as to stall the motor or deflect the bit.
 - **Hold the drill firmly with two hands to control its twisting action.**
 - **DO NOT CLICK THE TRIGGER OF A STALLED DRILL OFF AND ON IN AN ATTEMPT TO START IT. DAMAGE TO THE DRILL CAN RESULT.**
 - Minimize stalling on breakthrough by reducing pressure and slowly drilling through the last part of the hole.
 - Keep the motor running while pulling the bit out of a drilled hole. This will help reduce jamming.
 - Use a cutting lubricant when drilling metals. The exceptions are cast iron and brass which should be drilled dry. The lubricants that work best are sulphurised cutting oil or lard oil.
 - When using twist drill bits to drill holes in wood, it will be necessary to pull the bits out frequently to clear chips from the flutes.
 - **Make sure switch turns drill on and off.**
- ⚠ **WARNING:** It is important to support the work properly and to hold the drill firmly to prevent loss of control which could cause personal injury. If you have any questions on how to properly operate tool, call: **1-800-54-HOW-TO (544-6986).**

DRILLING IN WOOD

Holes in wood can be made with the same twist drill bits used for metal or with spade bits. These bits should be sharp and should be pulled out frequently when drilling to clear chips from the flutes.

DRILLING IN METAL

Use a cutting lubricant when drilling metals. The exceptions are cast iron and brass which should be drilled dry. The cutting lubricants that work best are sulfurized cutting oil or lard oil.

DRILLING IN MASONRY

Use carbide tipped masonry bits. Refer to Drilling section. Keep even force on the drill but not so much that you crack the brittle material. A smooth, even flow of dust indicates the proper drilling rate.

Maintenance

Use only mild soap and damp cloth to clean the tool. Never let any liquid get inside the tool; never immerse any part of the tool into a liquid.

An occasional application of a household oil to the Quick Connect™ hex shaft will help prevent rust.

IMPORTANT: To assure product SAFETY and RELIABILITY, repairs, maintenance and adjustment (other than those listed in this manual) should be performed by authorized service centers or other qualified service organizations, always using identical replacement parts.

The RBRC™ Seal

The RBRC™ (Rechargeable Battery Recycling Corporation) Seal on the nickel-cadmium battery (or battery pack) indicates that the costs to recycle the battery (or battery pack) at the end of its useful life have already been paid by Black & Decker. In some areas, it is illegal to place spent nickel-cadmium batteries in the trash or municipal solid waste stream and the RBRC program provides an environmentally conscious alternative.

RBRC in cooperation with Black & Decker and other battery users, has established programs in the United States and Canada to facilitate the collection of spent nickel-cadmium batteries. Help protect our environment and conserve natural resources by returning the spent nickel-cadmium battery to an authorized Black & Decker service center or to your local retailer for recycling. You may also contact your local recycling center for information on where to drop off the spent battery, or call **1-800-8-BATTERY**.

Accessories

Recommended accessories for use with your tool are available from your local dealer or authorized service center. If you need assistance regarding accessories, please call: **1-800-54-HOW-TO (544-6986).**

⚠ **WARNING:** The use of any accessory not recommended for use with this tool could be hazardous.



The following accessories should be used only in the sizes specified below:
 BITS, METAL DRILLING – Up to 3/8" (9.5mm); BITS, MASONRY DRILLING – Up to 3/8" (9.5mm); WOOD DRILLING – Up to 1/2" (12.7mm).

Service Information

All Black & Decker Service Centers are staffed with trained personnel to provide customers with efficient and reliable power tool service. Whether you need technical advice, repair, or genuine factory replacement parts, contact the Black & Decker location nearest you. To find your local service location, refer to the yellow page directory under "Tools—Electric" or call:

1-800-54-HOW TO. (544-6986)

Full Two-Year Home Use Warranty

Black & Decker (U.S.) Inc. warrants this product for two years against any defects in material or workmanship. The defective product will be replaced or repaired at no charge in either of two ways.

The first, which will result in exchanges only, is to return the product to the retailer from whom it was purchased (provided that the store is a participating retailer). Returns should be made within the time period of the retailer's policy for exchanges (usually 30 to 90 days after the sale). Proof of purchase may be required. Please check with the retailer for their specific return policy regarding returns that are beyond the time set for exchanges.

The second option is to take or send the product (prepaid) to a Black & Decker owned or authorized Service Center for repair or replacement at our option. Proof of purchase may be required. Black & Decker owned and authorized Service Centers are listed under "Tools-Electric" in the yellow pages of the phone directory.

This warranty does not apply to accessories. This warranty gives you specific legal rights and you may have other rights which vary from state to state. Should you have any questions, contact the manager of your nearest Black & Decker Service Center.

This product is not intended for commercial use.

Free Warning Label Replacement: If your warning labels become illegible or are missing, call 1-800-544-6986 for a free replacement.

Imported by
 Black & Decker (U.S.) Inc.,
 701 E. Joppa Rd.
 Towson, MD 21286 U.S.A.



See "Tools-Electric"
 – Yellow Pages –
 for Service & Sales



AVANT DE RETOURNER LE PRODUIT, PEU IMPORTE LA
 RAISON PRIÈRE DE COMPOSER
1 800 544-6986

IMPORTANTES MESURES DE SÉCURITÉ - POUR TOUS LES OUTILS ALIMENTÉS PAR PILES

⚠ AVERTISSEMENT! Lire et comprendre toutes les directives. Le non-respect de toutes les directives suivantes présente des risques de secousses électriques, d'incendie ou de blessures graves.

CONSERVER CES MESURES.

ZONE DE TRAVAIL

- **S'assurer que la zone de travail est propre et bien éclairée.** Des établis encombrés et des endroits sombres présentent des risques d'accidents.
- **Ne pas utiliser des outils électriques en présence de vapeurs explosives (comme celles dégagées par des liquides, des gaz ou des poussières inflammables).** Les étincelles générées par le moteur des outils électriques peuvent enflammer les poussières ou les vapeurs.
- **Éloigner les curieux, les enfants et les visiteurs de la zone de travail lorsqu'on utilise un outil électrique.** Une distraction peut entraîner la perte de maîtrise de l'outil.

MESURES DE SÉCURITÉ RELATIVES À L'ÉLECTRICITÉ

- **Manipuler le cordon avec soin. Ne jamais se servir du cordon afin de transporter l'outil ni tirer sur le cordon pour débrancher l'outil. Éloigner le cordon des sources de chaleur, des flaques d'huile, des arêtes tranchantes et des pièces mobiles. Remplacer immédiatement les cordons endommagés.** Les cordons endommagés augmentent les risques de secousses électriques.
- **Il faut charger un outil à piles intégrées ou un ensemble de piles seulement dans le chargeur conçu à cet effet.** Un chargeur convenant pour un type de piles peut présenter un risque d'incendie lorsqu'on s'en sert avec un autre type de piles.
- **Utiliser un outil alimenté par piles seulement avec la pile appropriée.** L'utilisation de toute autre pile présente des risques d'incendie.

SÉCURITÉ PERSONNELLE

- **Demeurer vigilant, prendre soin et faire preuve de jugement lorsqu'on utilise un outil électrique. Ne pas s'en servir lorsqu'on est fatigué ou affaibli par des drogues, de l'alcool ou des médicaments.** De graves blessures peuvent résulter d'un moment d'inattention lors de l'utilisation d'un outil électrique.
- **Porter des vêtements appropriés. Éviter de porter des vêtements amples ou des bijoux. Recouvrir la chevelure si elle est longue. Éloigner les cheveux, les vêtements et les gants des pièces en mouvement qui peuvent les happer.**
- **Éviter les démarrages accidentels. S'assurer que l'interrupteur est en position hors tension avant d'insérer la pile.** Afin d'éviter les risques de blessures, ne pas transporter l'outil avec le doigt sur l'interrupteur ni insérer la pile dans un outil dont l'interrupteur est en position sous tension.
- **Enlever les clés de réglage avant de mettre l'outil sous tension.** Une clé qui est laissée sur une pièce rotative de l'outil présente des risques de blessures.
- **Ne pas dépasser sa portée. Garder son équilibre en tout temps.** On s'assure d'une meilleure maîtrise de l'outil dans des situations imprévues grâce à une position stable et un bon équilibre.
- **Porter de l'équipement de sécurité. Toujours porter des lunettes de sécurité.** Dans certaines conditions, il faut porter des masques respiratoires, des chaussures antidérapantes, un casque de sécurité ou des protège-tympan.

UTILISATION ET ENTRETIEN DE L'OUTIL

- **Utiliser des pinces de serrage ou de tout autre moyen pratique afin de fixer et de soutenir la pièce à ouvrir sur une plate-forme stable.** La pièce est instable lorsqu'elle est retenue par la main ou le corps de l'utilisateur. Cela présente des risques de perte de maîtrise de l'outil.
- **Ne pas forcer l'outil. Utiliser l'outil approprié à la tâche.** L'outil approprié fonctionne mieux et sûrement lorsqu'on s'en sert à son rendement nominal.
- **Ne pas se servir de l'outil lorsque l'interrupteur est défectueux.** Le cas échéant, l'outil est dangereux et il faut le réparer.
- **Enlever la pile de l'outil ou placer celui-ci en position hors tension avant de le régler, d'en remplacer les accessoires ou de le ranger.** On minimise de la sorte le risque de démarrage accidentel de l'outil.
- **Ranger l'outil hors de portée des enfants et de toute autre personne qui n'en connaît pas le fonctionnement.** L'outil est dangereux entre les mains de ces personnes.
- **Lorsque la pile ne sert pas, l'éloigner de tout objet métallique (comme des trombones, des pièces de monnaie, des clés, des clous, des vis ou tout autre petit objet métalliques qui peut créer une connexion d'une borne à l'autre).** Lorsque les bornes sont court-circuitées, cela peut générer des étincelles, des brûlures ou un incendie.
- **Prendre soin des outils. S'assurer que les outils de coupe sont tranchants et**

propres. Des outils bien entretenus à arêtes tranchantes ont moins tendance à se coincer et ils se maîtrisent mieux.

- **Vérifier l'alignement et les attaches des pièces mobiles, le degré d'usure des pièces ainsi que tout autre facteur susceptible de nuire au bon fonctionnement de l'outil. Faire réparer un outil endommagé avant de s'en servir.** Des outils mal entretenus sont la cause de nombreux accidents.
- **Utiliser seulement les accessoires recommandés par le fabricant.** Des accessoires qui conviennent à un outil peuvent présenter des risques avec un autre outil.

ENTRETIEN

- **Confier l'entretien de l'outil seulement à du personnel qualifié.** Le non-respect de la présente directive présente des risques de blessures.
- **Lors de l'entretien de l'outil, utiliser seulement des pièces de rechange identiques. Respecter les consignes relatives à l'entretien du présent guide d'utilisation.** Il y a risque de secousses électriques ou de blessures lorsqu'on utilise des pièces non autorisées ou lorsqu'on ne respecte pas les consignes relatives à l'entretien.

MESURES DE SÉCURITÉ SPÉCIFIQUES

- **Saisir l'outil par ses surfaces de prises isolées lorsque l'outil peut entrer en contact avec des fils cachés.** En cas de contact avec un fil sous tension, les pièces métalliques de l'outil seront sous tension et l'utilisateur subira des secousses électriques.
- **Lorsqu'on est installé sur une échelle ou un échafaudage pour travailler, on doit déposer l'outil sur le côté lorsqu'on ne s'en sert plus.** Bien que certains outils munis d'un gros bloc-piles puissent être placés à la verticale, dans cette position, ils peuvent facilement être renversés.

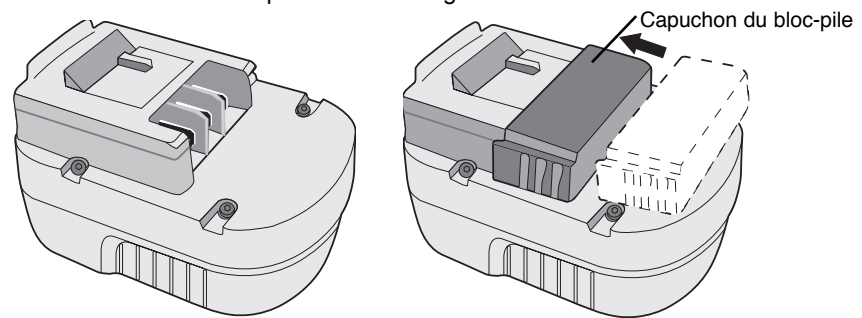
L'étiquette de l'outil peut comporter les symboles suivants.

V	volts	A	ampères
Hz	hertz	W	watts
min	minutes	~	courant alternatif
====	courant continu	Ⓝ	sous vide
☐	Construction de classe II	⊕	borne de mise à la minute
⚠	symbole d'avertissement	.../min	tours ou courses à la minute

CONSERVER CES MESURES.

INFORMATION CONCERNANT LE CAPUCHON DU BLOC-PILE

Un capuchon est fourni avec le bloc-pile en vue d'être utilisé chaque fois qu'on retire ce dernier de l'outil ou du chargeur en vue de le ranger ou de le transporter; enlever le capuchon avant de remettre le bloc-pile dans le chargeur ou dans l'outil.



⚠ AVERTISSEMENT : s'assurer, au moment de ranger ou de transporter le bloc-pile, qu'aucun objet métallique n'entre en contact avec les bornes à découvert du bloc-pile. Par exemple, il faut éviter de placer un bloc-pile sans capuchon dans un tablier, une poche, une boîte à outils ou un tiroir (etc.) contenant des objets tels que des clous, des vis ou des clés, car le bloc-pile pourrait causer un court-circuit et s'endommager, ou risquer de provoquer des brûlures ou un incendie.

⚠ Mesures de sécurité importantes

- **CONSERVEZ CES DIRECTIVES.**
- Bien lire toutes les directives et tous les avertissements qui se trouvent sur (1) le chargeur, (2) l'ensemble de piles et (3) l'outil avant d'utiliser le chargeur.
- **⚠ DANGER :** Les bornes du chargeur sont sous une tension de 120 volts. Ne pas les examiner avec un objet conducteur; cela présente des risques de secousses électriques.
- **⚠ DANGER :** Ne pas placer dans le chargeur un ensemble de piles craqué ou endommagé; cela présente des risques de secousses électriques.
- **⚠ MISE EN GARDE :** Ne jamais tenter d'ouvrir un ensemble de piles. Lorsque le boîtier en plastique craque ou se casse, en confier le recyclage à un centre de service.
- **⚠ AVERTISSEMENT :** Ne laisser aucun liquide s'infiltrer dans le chargeur car cela représente des risques de secousses électriques.
- **⚠ MISE EN GARDE :** Afin de réduire les risques de blessures, charger seulement des piles rechargeables Black & Decker. Tout autre type de piles peut exploser; ce qui présente des risques de blessures et de dommages.
- Pour faciliter le refroidissement de l'ensemble de piles après s'en être servi, éviter de placer le chargeur ou l'ensemble de piles dans un endroit chaud comme une remise en métal ou une remorque non isolée.
- Protéger le chargeur de la pluie ou de la neige.
- L'utilisation d'un accessoire non recommandé ni vendu par Black & Decker comporte des risques d'incendie, de secousses électriques ou de blessures.
- L'utilisation du chargeur pour tout ensemble de piles autres que les ensembles rechargeables Black & Decker comporte des risques d'incendie et de secousses électriques.
- Pour minimiser les risques de dommages au cordon et à sa fiche, débrancher l'appareil en tirant sur la fiche plutôt que sur le cordon.
- Placer le cordon de sorte qu'on ne puisse pas marcher ni s'accrocher dessus et qu'il ne soit pas autrement sujet aux dommages et aux contraintes.
- Ne pas utiliser de rallonge à moins que cela ne soit absolument nécessaire, car l'usage d'une rallonge ayant une puissance inadéquate pourrait causer des risques d'incendie, de choc électrique ou d'électrocution. Si une rallonge est nécessaire, s'assurer que :
 - les broches de la prise de la rallonge sont de mêmes nombre, taille et forme que celles de la prise du chargeur.
 - la rallonge est correctement câblée et en bonne condition, et que le calibre du fil est suffisant pour l'intensité nominale de courant alternatif du chargeur comme spécifié ci-dessous.

CALIBRE MINIMAL (AWG) RECOMMANDE DES RALLONGES

LONGUEUR TOTALE DE LA RALLONGE (EN METRES)	7,6	15,2	22,8	30,4	38,1	45,7	53,3
CALIBRE AWG	18	18	16	16	14	14	12

- La ventilation du chargeur se fait par les fentes sur le dessus et le dessous de l'appareil. Ne rien déposer sur le chargeur et ne pas déposer ce dernier sur une surface qui pourrait en bloquer les orifices car cela risque de provoquer la surchauffe de l'appareil. Éloigner le chargeur des sources de chaleur.
- Ne jamais se servir d'un chargeur dont le cordon ou la fiche sont endommagés. Les remplacer immédiatement.
- Ne jamais se servir d'un chargeur qui a encaissé un coup brusque, qui est tombé ou qui est endommagé. Le faire vérifier à un centre de service autorisé.
- Ne jamais démonter le chargeur. N'en confier la réparation ou l'entretien qu'à un centre de service autorisé. Le remontage non conforme du produit comporte des risques d'incendie ou de secousses électriques.

- Le chargeur est conçu pour fonctionner sur une alimentation domestique standard. Ne pas essayer de s'en servir sous toute autre tension.
- Pour minimiser les risques de secousses électriques, débrancher le chargeur avant de le nettoyer. Le risque n'est pas éliminé en enlevant l'ensemble de piles du chargeur.
- NE JAMAIS raccorder deux chargeurs l'un à l'autre.
- NE PAS ranger le produit dans un endroit où la température peut atteindre ou dépasser 40 °C (105 °F) (comme dans une remise métallique en été).
- Ne pas incinérer les piles, car elles peuvent exploser en présence de flammes. Les cellules peuvent subir une fuite légère par suite d'un usage extrême, du chargement ou d'une exposition à certaines températures; cela n'indique pas un problème. Cependant, si le scellant externe est percé et le liquide entre en contact avec la peau, on doit :
 - se laver rapidement la partie du corps touchée avec de l'eau savonneuse;
 - neutraliser l'effet au moyen d'un acide doux tel que du jus de citron ou du vinaigre;
 - si les yeux sont touchés, les rincer à fond avec de l'eau propre pendant au moins 10 minutes et consulter immédiatement un médecin. **REMARQUE AUX FINS MÉDICALES** : ce liquide contient une solution composée de 25 à 35 % d'hydroxyde de potassium.

CONSERVER CES MESURES

Introduction

LIRE ET COMPRENDRE TOUTES LES INSTRUCTIONS DE CE MANUEL AVANT DE TENTER DE RECHARGER LE BLOC-PILES DE VOTRE APPAREIL.

Ce Chargeur a été conçu pour fonctionner sur 120 volts de courant alternatif, à une puissance de 60 Hz. Ne pas utiliser sur courant continu (CC) ou tout autre voltage. La durée de charge peut prendre de 3 à 6 heures selon le type de bloc-piles et sa condition.

Méthode de chargement

- Brancher le chargeur dans la prise appropriée.
- Insérer 1 ou 2 piles dans le chargeur (Fig. 1).

REMARQUE : La durée de charge est la même pour une ou plusieurs piles.

S'assurer que la pile est insérée à fond dans le chargeur. Le voyant rouge de charge s'allumera indiquant qu'il y a contact entre la pile et le chargeur. Le voyant restera allumé tant que la pile sera dans le chargeur et que le chargeur sera branché dans une prise alimentée en courant. **II NE** clignotera pas, **NE** s'éteindra pas ou **NE** changera pas de couleur en fin du cycle de charge.

Bloc-piles laisse dans le chargeur

Le chargeur et son bloc-piles peuvent rester connectés avec le voyant rouge allumé indéfiniment. Le chargeur maintiendra la pile pleinement chargée.

REMARQUE : Un bloc-pile perdra graduellement sa charge s'il est laissé hors du chargeur. Si le bloc-pile n'a pas été maintenu en mode de maintenance de charge, il peut être nécessaire de le recharger avant chaque utilisation. Un bloc-pile peut aussi perdre sa charge graduellement s'il est laissé dans un chargeur qui n'est pas branché à une source de courant alternatif appropriée.

Notes importantes relatives au chargement

- Pour optimiser la durée et le rendement de l'ensemble de piles, il est préférable de le charger à des températures variant entre 18 °C et 24 °C (65 °F et 75 °F). NE PAS charger l'ensemble de piles lorsque la température ambiante est inférieure à 4,5 °C (40 °F) ou supérieure à 40,5 °C (105 °F). Cette mesure est importante et aide à prévenir les risques de graves dommages à l'ensemble de piles.
- Pendant le chargement, l'ensemble de piles et le chargeur peuvent devenir chauds au toucher. Il s'agit d'une situation normale qui ne pose aucun problème.
- Lorsque l'ensemble de piles n'est pas bien chargé, (1) vérifier l'alimentation de la prise en y branchant une lampe ou un autre appareil, (2) vérifier si la prise est reliée à un interrupteur pour l'éclairage qui met la prise hors circuit lorsqu'on éteint les lumières, (3) déplacer l'ensemble de piles et le chargeur dans une pièce où la température ambiante se situe entre 18 °C et 24 °C (65 °F et 75 °F), (4) si le problème persiste, il faut confier l'outil, l'ensemble de piles et le chargeur au centre de service de la région.
- Il faut charger l'ensemble de piles lorsqu'il ne fournit plus la puissance nécessaire pour effectuer les tâches avec autant de facilité qu'auparavant. NE PLUS S'EN SERVIR dans ces conditions. Suivre les directives relatives au chargement. On peut également charger en tout temps un ensemble de piles chargé en partie.
- Les ensembles de piles Black & Decker portant la mention «NiMH» devraient seulement être utilisés avec des chargeurs portant la mention «NiMH» ou «NiCd/NiMH».
- Dans certaines conditions, lorsque le chargeur est branché, des corps étrangers peuvent court-circuiter les contacts de chargement à découvrir. Il faut donc éloigner les creux de chargement du chargeur les corps étrangers de nature conductive, comme la laine d'acier, le papier d'aluminium ou tout autre accumulation de particules métalliques. Toujours débrancher le chargeur lorsqu'il n'y a pas d'ensemble de piles dans le chargeur et avant de le nettoyer.
- Ne pas immerger le chargeur de pile dans l'eau ou tout autre liquide.

Mode d'emploi

INTERRUPTEUR À GÂCHETTE ET BOUTON DE COMMANDE DE MARCHÉ ARRIÈRE – FIGURE 3

Enfoncer puis relâcher l'interrupteur à gâchette (fig. 3) pour démarrer et arrêter l'outil. Plus on enfonce l'interrupteur, plus la vitesse augmente.

Un bouton de commande de marche avant / arrière, qui sert aussi de bouton de verrouillage en position d'arrêt, détermine la direction de marche de l'outil. Pour sélectionner la position de marche avant, relâcher l'interrupteur à gâchette et enfoncer le bouton de commande. Pour sélectionner la position de marche arrière, appuyer sur le même bouton pour choisir la direction opposée. La position centrale du bouton sert à verrouiller l'outil en position d'arrêt. On doit toujours relâcher la gâchette lorsqu'on change la position du bouton.

RÉGULATEUR DE COUPLE – FIGURE 4

Pour régler le couple de l'outil, tourner le collier de réglage de couple à la position voulue. Le collier comprend 36 positions d'embrayage; ces positions sont représentées par le symbole d'une vis sur le collier. Pour effectuer des travaux légers au moyen de petites vis, placer le collier au symbole représentant la plus petite vis. Le couple augmente chaque fois qu'on entend un déclic, lorsqu'on tourne le collier vers la droite. La vitesse la plus élevée, représentée par le symbole d'une mèche, est utilisée pour le mode perceuse. Le mécanisme d'embrayage ne fonctionne pas dans cette position, qu'on utilise pour percer des pièces épaisses.

BOUTON À DEUX VITESSES D'ENGRENAGE - FIGURE 5

Le bouton à deux vitesses d'engrenage permet de changer la vitesse d'engrenage, rendant ainsi l'outil encore plus polyvalent. Pour sélectionner la basse vitesse à couple élevé (position 1), arrêter l'outil et attendre qu'il s'arrête complètement, puis glisser le bouton vers l'avant en direction du mandrin. Pour sélectionner la haute vitesse à couple faible (position 2), arrêter l'outil et attendre qu'il s'arrête complètement, puis glisser le bouton vers l'arrière, dans la direction opposée du mandrin. **REMARQUE** : ne pas changer la vitesse d'engrenage lorsque l'outil est en marche. Si on éprouve de la difficulté à modifier cette dernière, s'assurer que le bouton est poussé complètement vers l'avant ou vers l'arrière, selon le cas.

MANDRIN SANS CLÉ

Pour insérer une mèche ou tout autre accessoire, on doit :

- saisir la partie arrière du mandrin d'une main et utiliser l'autre pour faire tourner la partie avant vers la gauche (lorsqu'on la regarde à partir de l'extrémité du mandrin);
- insérer la mèche ou l'accessoire dans le mandrin et serrer fermement en saisissant la partie arrière du mandrin d'une main et en faisant tourner de l'autre la partie avant vers la droite (lorsqu'on la regarde à partir de l'extrémité du mandrin).

⚠️ AVERTISSEMENT : ne pas tenter de serrer une mèche (ou tout autre accessoire) en saisissant la partie avant du mandrin et en mettant l'outil en marche; cela pourrait endommager le mandrin ou entraîner des blessures lorsqu'on change un accessoire.

MANDRIN À FIXATION RAPIDE QUICK CONNECT^{MC} – FIGURE 6

La perceuse comprend également un dispositif qui permet de retirer le mandrin rapidement et facilement afin de pouvoir insérer une mèche de perceuse dans le mandrin sans clé et d'insérer en même temps un autre type d'accessoire, tel qu'une mèche de tournevis, dans la tige hexagonale Quick Connect^{MC}. Pour retirer le mandrin, on doit :

- saisir la perceuse et enfoncer les deux boutons orange situés sur le collier du mandrin, tel qu'illustré à la figure 6;
- sortir le mandrin en le tirant en ligne droite et en gardant les boutons enfoncés.

Pour remplacer le mandrin, il faut :

- insérer le mandrin à fixation rapide en le poussant tout droit, puis en le tournant légèrement jusqu'à ce qu'il s'enclenche fermement.

Pour insérer une mèche de tournevis dans la tige hexagonale Quick Connect^{MC}, la pousser jusqu'à ce qu'elle s'enclenche fermement. Pour la retirer, tenir la perceuse tel qu'illustré à la figure 7, puis pousser uniformément sur le disque à ressort avec deux doigts et sortir la mèche en la tirant en ligne droite.

MODE TOURNEVIS

Pour enfoncer des attaches, pousser le bouton de commande de marche arrière vers la gauche; pousser le bouton vers la droite pour les retirer. On doit toujours relâcher l'interrupteur à gâchette lorsqu'on change la position du bouton de la marche avant à la marche arrière, ou vice versa.

MODE PERÇAGE

- Utiliser des mèches aiguisées seulement.
- Bien soutenir et fixer la pièce, conformément aux consignes de sécurité.
- Utiliser le matériel de sécurité approprié, conformément aux consignes de sécurité.
- Garder la zone de travail propre et sécuritaire, conformément aux consignes de sécurité.
- Faire fonctionner la perceuse très lentement en exerçant une légère pression, jusqu'à ce que le trou soit suffisamment profond pour empêcher la mèche d'en sortir.
- Appliquer une pression en ligne droite au moyen de la mèche en exerçant juste assez de pression pour permettre à la mèche de mordre dans la pièce, en évitant de caler le moteur ou de faire dévier la mèche.
- Saisir fermement la perceuse des deux mains afin de maîtriser la torsion de cette dernière.
- NE PAS ENFONCER ET RELÂCHER LA GÂCHETTE À PLUSIEURS REPRISÉS POUR ESSAYER DE REDÉMARRER LA PERCEUSE AFIN D'ÉVITER DE L'ENDOMMAGER.
- Réduire les risques de calage au minimum en réduisant la pression lorsque la mèche perce le matériau et en perçant lentement la dernière section du trou.
- Maintenir le moteur en marche lorsqu'on retire la mèche du trou percé afin d'éviter qu'elle reste coincée.
- Utiliser une huile de coupe pour percer des métaux, à l'exception de la fonte et du laiton, car ces derniers doivent être percés à sec. Les meilleurs lubrifiants sont l'huile sulfurée et l'huile de lard.
- Lorsqu'on utilise des mèches hélicoïdales pour percer des trous dans le bois, il faut sortir les mèches fréquemment pour enlever les copeaux restés coincés dans les cannelures.
- S'assurer que l'interrupteur peut mettre la perceuse en position de marche ou d'arrêt. **⚠️ AVERTISSEMENT** : il est important de bien immobiliser la pièce et de saisir fermement l'outil afin d'éviter de perdre la maîtrise, ce qui pourrait entraîner des blessures. Pour obtenir de plus amples renseignements sur le fonctionnement de cet outil, composer le **1 800 544-6986**.

PERÇAGE DU BOIS

On peut percer le bois au moyen des mèches hélicoïdales qu'on utilise pour le métal ou de mèches à vrille. On doit utiliser des mèches bien aiguisées et les sortir fréquemment pour enlever les copeaux restés coincés dans les cannelures.

PERÇAGE DU MÉTAL

Utiliser une huile de coupe lorsqu'on perce des métaux, à l'exception de la fonte et du laiton, car ces derniers doivent être percés à sec. Pour cette tâche, les meilleurs lubrifiants sont l'huile sulfurée et l'huile de lard.

PERÇAGE DE LA MAÇONNERIE

Utiliser des mèches à pointe carburée (voir la section « Mode perçage »). Maintenir une pression uniforme sur la perceuse, sans trop forcer pour éviter de fissurer les matériaux plus cassants. La vitesse choisie est appropriée lorsque la poussière est soulevée uniformément et régulièrement.

ENTRETIEN

N'utiliser que du savon doux et un chiffon humide pour nettoyer l'outil; ne jamais laisser de liquide pénétrer à l'intérieur de ce dernier et ne jamais l'immerger dans un liquide quelconque. Une application occasionnelle d'huile domestique sur la tige hexagonale à fixation rapide Quick Connect^{MC} aidera à prévenir la rouille.

IMPORTANT : pour assurer la SÉCURITÉ et la FIABILITÉ de cet outil, toutes les opérations de réparation, d'entretien et de réglage (autres que celles décrites aux présentes) doivent être effectuées par un centre de service autorisé ou qualifié; on ne doit utiliser que des pièces de rechange identiques.

SCEAU RBRC^{MC}

Le sceau RBRC^{MC} de la Rechargeable Battery Recycling Corporation apposé sur la pile au nickel-cadmium (ou le bloc-pile) indique que les coûts de recyclage de ce dernier à la fin de sa vie utile ont déjà été payés par Black & Decker. En certains endroits, la mise au rebut ou aux ordures municipales des piles au nickel-cadmium est illégale; le programme de «RBRC» constitue donc une solution des plus pratiques et écologiques. La «RBRC», en collaboration avec Black & Decker et d'autres utilisateurs de piles, a mis sur pied des programmes aux États-Unis et au Canada dans le but de faciliter la collecte des piles déchargées. Black & Decker encourage ses utilisateurs à participer à son programme de protection de l'environnement et de conservation des ressources naturelles en retournant les piles usagées à un centre de service autorisé Black & Decker ou chez un dépositaire local afin qu'elles puissent être recyclées. On peut en outre se renseigner auprès d'un centre de recyclage local pour connaître d'autres sites les acceptant, ou composer le 1 800 8-228-8379 pour obtenir de l'information sur le recyclage de ces piles dans sa région.

ACCESSOIRES

Les accessoires recommandés pour chaque outil sont offerts chez les dépositaires locaux ou dans les centres de service autorisés. Pour obtenir plus d'information sur les accessoires, composer le **1 800 544-6986**.

⚠️ AVERTISSEMENT : l'usage d'un accessoire non recommandé peut présenter un danger. On ne doit utiliser que des accessoires ayant les dimensions précisées ci-dessous : MÉCHES À MÉTAL - jusqu'à 9,5 mm (3/8 po); MÉCHES À MAÇONNERIE - jusqu'à 9,5 mm (3/8 po); MÉCHES À BOIS - jusqu'à 12,7 mm (1/2 po)

INFORMATION SUR LES SERVICES

Tous les centres de service Black & Decker sont dotés de personnel qualifié en matière d'outillage électrique; ils sont donc en mesure d'offrir à leur clientèle un service efficace et fiable. Pour obtenir un conseil technique ou une pièce d'origine ou pour faire réparer un outil, on peut communiquer avec le centre Black & Decker le plus près. Pour obtenir le numéro de téléphone, consulter les pages jaunes sous la rubrique «Outils - électriques» ou composer le : **1 800 544-6986**.

GARANTIE COMPLÈTE DE DEUX ANS POUR USAGE RÉSIDENTIEL

Black & Decker (U.S.) Inc. garantit ce produit pour une période de deux ans contre tout défaut de matériel ou de fabrication. Le produit défectueux sera réparé ou remplacé sans frais, suivant l'une des deux méthodes suivantes.

La première méthode consiste en un échange seulement. On doit retourner le produit au détaillant qui l'a vendu (pourvu qu'il s'agisse d'un détaillant participant), en respectant les délais stipulés dans sa politique relative aux échanges (normalement de 30 à 90 jours après la vente). Une preuve d'achat peut être requise. On doit vérifier la politique de retour du détaillant pour tout produit retourné après le délai prescrit pour les échanges.

La deuxième méthode consiste à apporter ou à envoyer le produit (prépayé) à un centre Black & Decker ou à un centre de service autorisé aux fins de réparation ou de remplacement, selon notre choix. Une preuve d'achat peut être requise. Les centres Black & Decker et les centres de service autorisés sont répertoriés dans les pages jaunes sous la rubrique «Outils - électriques».

Cette garantie ne s'applique pas aux accessoires. Elle confère des droits légaux particuliers à l'acheteur, mais celui-ci pourrait aussi bénéficier d'autres droits variant d'un territoire à l'autre. Toute question doit être adressée au gérant du centre Black & Decker le plus près.

Ce produit n'est pas destiné à un usage commercial.

REPLACEMENT GRATUIT DE L'ÉTIQUETTE D'AVERTISSEMENT : En cas de perte ou d'endommagement des étiquettes d'avertissement, composer le **1 800 544-6986** afin d'en obtenir de nouvelles sans frais.

Imported by / Importé par
Black & Decker Canada Inc.
100 Central Ave.
Brockville (Ontario) K6V 5W6

Voir la rubrique «Outils électriques»
des Pages Jaunes
pour le service et les ventes.



ANTES DE DEVOLVER ESTE PRODUCTO POR CUALQUIER RAZON POR FAVOR LLAME

(55)5326-7100

REGLAS GENERALES DE SEGURIDAD - PARA TODAS LAS HERRAMIENTAS OPERADAS CON BATERÍAS

⚠ **ADVERTENCIA!** LEA Y COMPRENDA TODAS LAS INSTRUCCIONES. No hacerlo puede originar riesgos de choque eléctrico, incendio y lesiones personales de gravedad.

CONSERVE ESTAS INSTRUCCIONES

ÁREA DE TRABAJO

- **Conserve su área de trabajo limpia y bien iluminada.** Las bancas amontonadas y las zonas oscuras propician los accidentes.
- **No opere herramientas eléctricas en atmósferas explosivas, como en presencia de líquidos, gases o polvos inflamables.** Las herramientas eléctricas producen chispas que pueden originar la ignición de los polvos o los vapores.
- **Conserve a observadores, niños y visitantes alejados mientras opera una herramienta eléctrica.** Las distracciones pueden ocasionar que pierda el control.

SEGURIDAD ELÉCTRICA

- **No maltrate el cable. Nunca utilice el cable para transportar la herramienta. Conserve el cable alejado de calor, aceite, bordes afilados o piezas móviles. Reemplace inmediatamente los cables dañados.** Los cables dañados pueden originar incendio.
- **Una herramienta de baterías con baterías integradas o por separado debe recargarse únicamente con el cargador especificado para esas baterías.** Un cargador que pueda adecuarse a un tipo de batería puede crear riesgos de incendio cuando se emplea con otra batería.
- **Utilice su herramienta de baterías únicamente con la batería especialmente diseñada para ella.** El empleo de otras baterías puede crear riesgos de incendio.

SEGURIDAD PERSONAL

- **Esté alerta, concéntrese en lo que está haciendo. Recorra al sentido común cuando opere una herramienta eléctrica.** No opere ninguna herramienta si se encuentra fatigado o bajo la influencia de drogas, alcohol o medicamentos. Un momento de desatención mientras se operan herramientas eléctricas puede ocasionar lesiones graves.
- **Vístase de manera adecuada. No tenga puestas ropas o artículos de joyería flojos. Cubra su cabello si lo tiene largo.** Conserve su cabello, sus ropas y guantes alejados de las piezas móviles. Las piezas de vestir flojas, las joyas y el cabello largo pueden resultar atrapados por las piezas móviles.
- **Evite el encendido accidental.** Asegúrese que el interruptor esté en posición de apagado antes de instalar la batería. Sostener una batería con el dedo en el interruptor o conectarla sin fijarse si el interruptor está en posición de encendido propicia los accidentes.
- **Retire las llaves de ajuste antes de encender la herramienta.** Una llave que se deja en una pieza giratoria puede ocasionar lesiones personales.
- **No se sobreextienda. Conserve siempre los pies bien apoyados, al igual que el equilibrio.** La posición correcta de los pies y el equilibrio permiten controlar mejor la herramienta en situaciones inesperadas.
- **Utilice equipo de seguridad. Siempre utilice protección en los ojos.** Se deben utilizar mascarillas contra polvo, zapatos antiderrapantes, casco o protectores para los oídos para tener las condiciones apropiadas.

USO Y CUIDADOS DE LA HERRAMIENTA

- **Utilice prensas u otros medios prácticos para asegurar y apoyar la pieza de trabajo en una plataforma estable.** Sujetar las piezas con la mano o contra su cuerpo es inestable y puede originar la pérdida de control.
- **No fuerce la herramienta. utilice la herramienta adecuada para su aplicación.** La herramienta adecuada hará mejor el trabajo y de manera más segura bajo las especificaciones para las que se diseñó.
- **No utilice la herramienta si el interruptor no enciende y apaga.** Cualquier herramienta que no pueda controlarse por medio del interruptor es peligrosa y debe repararse.
- **Desconecte la batería de la herramienta o coloque el interruptor en posición de apagado antes de hacer cualquier ajuste, cambio de accesorios o de guardar la herramienta.** Tales medidas de seguridad preventivas reducirán el riesgo de que la herramienta se encienda accidentalmente.
- **Guarde las herramientas fuera del alcance de los niños y de otras personas no capacitadas.** Las herramientas son peligrosas en manos de personas no capacitadas.
- **Cuando no utilice la batería consérvela alejada de objetos metálicos como: clips, monedas, llaves, clavos, tornillos y otras piezas de metal que puedan establecer una conexión entre una terminal y otra.** Hacer corto en las terminales de la batería puede ocasionar chispas, quemaduras o incendios.
- **Cuide sus herramientas. Conserve las herramientas de corte afiladas y limpias.** Las herramientas que reciben un mantenimiento adecuado, con piezas de corte afiladas, difícilmente se atascan y son más fáciles de controlar.
- **Verifique la alineación de las piezas móviles, busque fracturas en las piezas y cualesquiera otras condiciones que puedan afectar la operación de las herramientas.** Si está dañada, lleve su herramienta a servicio antes de usarla de nuevo. Muchos accidentes se deben a herramientas con mantenimiento pobre.
- **Solamente use accesorios que el fabricante recomiende para su modelo de herramienta.** Los accesorios que estén diseñados para una herramienta, pueden volverse peligrosos cuando se emplean con otra.

SERVICIO

- **El servicio a las herramientas lo debe efectuar únicamente personal calificado.** El servicio o mantenimiento realizado por personal no calificado puede originar riesgos de lesiones.
- **Cuando efectúe servicio a una herramienta, utilice únicamente refacciones idénticas. Siga las instrucciones de la sección de Mantenimiento de este manual.** El empleo de piezas no autorizadas o no seguir las instrucciones de mantenimiento puede originar riesgos de choque eléctrico o lesiones.

REGLAS ESPECÍFICAS DE SEGURIDAD

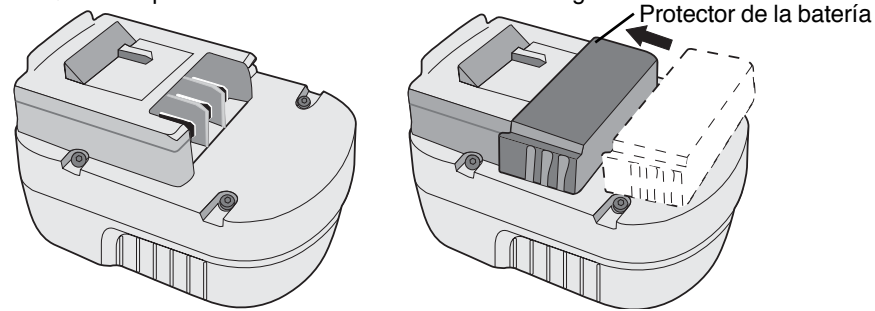
- **Sujete la herramienta por las superficies aislantes cuando realice una operación en que la herramienta pueda hacer contacto con cableados ocultos.** Al hacer contacto con un cable "vivo", las partes metálicas de la herramienta se vuelven "vivas" y pueden originar un choque al operador.
- **Cuando trabaje en una escalera o una plataforma asegúrese de dejar la herramienta de lado cuando no la use.** Algunas herramientas con baterías grandes se paran sobre su base, pero se pueden volcar fácilmente.

La etiqueta de su herramienta puede incluir los siguientes símbolos.

V	volts	A.....	amperes
Hz	hertz	W	watts
min	minutos	~	corriente alterna
====	corriente directa	no.....	velocidadsin carga
☐	construcción clase II	⊕	terminales de conexión a tierra
⚠	símbolo de alerta seguridad	.../min	revoluciones o reciprocaciones por minuto

INFORMACIÓN RESPECTO A LA TAPA PARA LA BATERÍA

Se proveen tapas para batería para uso cuando ésta se encuentre fuera de la herramienta o el cargador. Quite la tapa antes de colocar la batería en el cargador o la herramienta.



⚠ **ADVERTENCIA:** Asegúrese de que las terminales de la batería no entren en contacto con metales. Por ejemplo, no coloque la batería en un delantal, bolsillos, cajas de herramientas, estuches del producto, cajones etc. sin antes colocarle la tapa. Sin la tapa, la batería puede entrar en corto circuito causando incendio o quemadura a la batería.

Instrucciones importantes de seguridad

- **GUARDE ESTAS INSTRUCCIONES.**
 - Antes de emplear el cargador, lea todas las instrucciones y las marcas precautorias en (1) el cargador, (2) la batería y (3) el producto que utiliza la batería.
 - ⚠ **PELIGRO:** Corriente de 120 volts presente en las terminales de carga. No las una con objetos conductores. Peligro de choque eléctrico o electrocución.
 - ⚠ **PELIGRO:** Si la caja de la batería está estrellada o dañada, no la inserte en el cargador. Peligro de choque eléctrico o electrocución.
 - ⚠ **PELIGRO:** Nunca intente abrir la batería por ningún motivo. Si la carcasa de plástico se rompe o se estrella, llévela a un centro de servicio para que la reciclen.
 - ⚠ **ADVERTENCIA:** No permita que se introduzca ningún líquido en el cargador. Puede originarse un choque eléctrico.
 - ⚠ **PRECAUCION:** Cargue únicamente baterías recargables Black & Decker para evitar el riesgo de lesiones. Baterías de otros tipos pueden estallar, ocasionando lesiones personales y daños.
 - Para facilitar el enfriamiento de la batería después de utilizarla, evite colocar el cargador o la batería en ambientes cálidos, como los de un cobertizo de lámina o un remolque sin aislamiento.
 - No exponga el cargador a la lluvia o a la nieve.
 - Estos cargadores no están diseñados para usos diferentes a la carga de las baterías recargables Black & Decker. Cualquier otro uso puede originar riesgos de incendio, choque eléctrico o electrocución.
 - Para reducir los riesgos de daño a la clavija y el cordón eléctrico, cuando desconecte el cargador tire de la clavija, no del cordón.
 - Asegúrese de que el cordón eléctrico esté colocado de tal manera que no lo pisen, enreden o le hagan alguna otra cosa que lo tense y le cause daño.
 - Trate de no usar cordones de extensión a menos que sea absolutamente necesario. El uso de una extensión inadecuada puede ocasionar incendios, descargas eléctricas o electrocución. Si es necesario utilizar la extensión, asegúrese:
 - Que las patas de la clavija de la extensión sean iguales en número, tamaño y forma a los de la clavija del cargador.
 - Que los cables de la extensión estén en buenas condiciones eléctricas y que el calibre sea suficiente para soportar la corriente que el cargador necesita, como se describe a continuación.
Una extensión debe contar con alambre de calibre adecuado (AWG o American Wire Gauge) por seguridad. Mientras más pequeño sea el número del calibre del alambre, mayor será la capacidad del cable; por ejemplo, un cable de calibre 16 tiene mayor capacidad que otro de calibre 18. Cuando emplee más de una extensión para alcanzar la longitud total, asegúrese que cada extensión individual tenga por lo menos el calibre mínimo requerido.
- | CALIBRE AWG MINIMO RECOMENDADO PARA LOS CORDONES DE EXTENSION | | | | | | | |
|---|-----|------|------|------|------|------|------|
| Longitud total del cable de extensión (metros) | | | | | | | |
| | 7,6 | 15,2 | 22,8 | 30,4 | 38,1 | 45,7 | 53,3 |
| Calibre del alambre | 18 | 18 | 16 | 16 | 14 | 14 | 12 |
- El cargador se ventila a través de las ranuras de la cubierta. No coloque ningún objeto sobre el cargador o coloque éste en una superficie suave que pueda bloquear las ranuras de ventilación y ocasionen calor interno excesivo. Coloque el cargador en un lugar alejado de cualquier fuente de calor.
 - No opere el cargador con el cordón o la clavija dañados — hágalos cambiar de inmediato.
 - No utilice el cargador si ha recibido algún golpe, se ha caído o ha recibido algún otro daño, llévelo a un Centro de Servicio autorizado.
 - No desarme el cargador, llévelo a un centro de servicio autorizado cuando requiera ser reparado. Ensamblarlo de modo incorrecto puede ocasionar descargas eléctricas, electrocución o incendios.
 - El cargador está diseñado para funcionar con corriente doméstica estándar. No intente usarlo con otro voltaje
 - Desconecte el cargador antes de intentar limpiarlo para reducir el riesgo de descargas eléctricas. Retirar la batería no reducirá este riesgo.
 - NUNCA intente conectar 2 cargadores juntos.
 - NO guarde ni utilice la herramienta o la batería en lugares en los que la temperatura pueda alcanzar o exceder los 40°C (105°F) (tales como cobertizos o construcciones de metal en el verano).
 - NO incinere las baterías. Pueden explotar en un incendio. Las celdas de la batería pueden tener fugas pequeñas de líquido cuando han sido usadas o cargadas durante períodos demasiado largos, o bajo ciertas condiciones de temperatura. Esto no indica una falla. Sin embargo, si el sello externo ha sido roto y su piel entra en contacto con el líquido:
 - a. Lave rápidamente con jabón y agua.
 - b. Neutralice con un ácido suave como jugo de limón o vinagre.
 - c. Si el líquido de la batería le entra a los ojos, lávelos con agua limpia por al menos 10 minutos y hágase ver por un médico de inmediato. **NOTA MÉDICA:** El líquido es una solución de 25-35% de hidróxido de potasio.

CONSERVE ESTAS INSTRUCCIONES

Introducción

LEA Y COMPRENDA TODAS LAS INSTRUCCIONES DE ESTE MANUAL ANTES DE INTENTAR CARGAR LA UNIDAD DE ALIMENTACIÓN DE SU HERRAMIENTA.

Su cargador fue diseñado para utilizar corriente alterna estándar de 120 voltios y 60 Hz. No utilice corriente directa ni cualquier otro voltaje. El tiempo de carga es entre 3 y 6 horas, dependiendo del tipo y las condiciones de la unidad de alimentación.

Procedimiento de carga

1. Enchufe el cargador en una toma de corriente apropiada.
2. Inserte 1 ó 2 baterías en el cargador (Figura 1). **Nota:** El tiempo de carga es el mismo para cargar baterías múltiples. Asegúrese que la batería esté bien puesta en el cargador. La luz roja del "Indicador de carga" se encenderá para indicar que se ha hecho contacto entre la batería y el cargador. La luz se mantendrá encendida mientras la batería de corriente activa. **NO** destellará, ni se apagará o cambiará de color cuando el ciclo de carga se haya completado.

Permanencia de la unidad de alimentación en el cargador

El cargador y la unidad de alimentación pueden dejarse conectados con la luz roja encendida indefinidamente. El cargador mantendrá la unidad de alimentación fresca y completamente cargada.

NOTA: La unidad de alimentación perderá su carga lentamente si se retira del cargador. Si no se ha dejado la unidad de alimentación en carga de mantenimiento, puede que sea necesario recargarla antes de usarla nuevamente. La unidad de alimentación también puede perder lentamente su carga si se deja en un cargador que no está enchufado en una toma de corriente alterna adecuada.

Notas importantes sobre la carga

- Se puede obtener mejor rendimiento y más larga vida si la batería se carga cuando la temperatura oscila entre 18° y 24°C (65°F - 75°). NO cargue la batería cuando la temperatura sea inferior a +4.5°C (+40°F), o superior a +40.5°C (+105°F). Esto es muy importante y le evitará serios daños a la batería.
- El cargador y la batería pueden sentirse calientes al tacto durante la carga. Esto es una condición normal y no indica ningún problema.
- Si la batería no carga apropiadamente — (1) Verifique la corriente en la toma conectando una lámpara u otro aparato eléctrico, (2) Verifique si la toma está conectada a un interruptor que corte la corriente cuando apaga las luces. (3) Lleve el cargador con la batería a un lugar en donde la temperatura del aire que los rodee esté entre 18° y 24°C (65°F - 75°F). (4) Si persisten los problemas de carga, lleve o envíe la herramienta, la batería y el cargador a su centro de servicio local.
- La batería debe recargarse cuando deja de producir suficiente potencia en trabajos que se hicieron fácilmente con anterioridad. NO CONTINUE usándola en estas condiciones. Siga los procedimientos de carga. Usted puede cargar una batería parcialmente usada cuando lo desee sin que ésta sufra efectos adversos.
- Las baterías Black& Decker que estén etiquetadas “NiMH” deberán utilizarse únicamente con cargadores que estén etiquetados como “NiMH” o “NiCd/NiMH”.
- Bajo ciertas condiciones, con el cargador conectado a la toma de corriente, los contactos de carga expuesto dentro del cargador pueden hacer contacto entre sí debido a algún material externo. Los materiales externos de naturaleza conductora tales como alambre de acero, papel aluminio o cualquier tipo de partícula metálica deben conservarse alejados de las cavidades del cargador. Desconecte siempre el cargador de la toma de corriente cuando no tenga cargando una batería. También desconéctelo antes de intentar limpiarlo.
- No sumerja el cargador en agua u otro líquido.

INTERRUPTOR DE DISPARO & BOTÓN DE REVERSA - FIGURA 3

El taladro se PRENDE y APAGA al oprimir y soltar el interruptor de disparo según se ilustra en la Figura 3. Mientras más a fondo oprima el interruptor, mayor será la velocidad del taladro. El botón de control de marcha adelante/atrás determina la dirección en que gira la herramienta y también actúa como seguro. Para seleccionar la rotación hacia adelante, suelte el interruptor de disparo y oprima el botón de control. Para seleccionar la marcha atrás, oprima el botón de control en dirección contraria. La posición central del botón de control asegura la herramienta en posición apagado. Cuando cambie la posición del botón de control, asegúrese de que el interruptor de disparo se encuentre liberado.

CONTROL DE TORSIÓN - FIGURA 4

Para fijar la torsión de la herramienta, gire el collar de torsión de apriete según sea necesario. Hay 36 fijaciones de embrague en total. Estas se indican mediante iconos de tuerca dibujados en el collar de torsión de apriete. Para trabajos livianos que requieren tuercas pequeñas, fije el collar en el icono de la tuerca más pequeña. Cada “click” en dirección horaria significa un aumento en la torsión. La posición más alta es el modo taladro y se indica mediante un icono de broca. En esta posición el embrague no operará. Esto permite efectuar taladros de trabajo pesado.

ENGRANAJE DE DOBLE ALCANCE - FIGURA 5

El dispositivo de doble alcance del taladro le permite cambiar los engranajes para mayor versatilidad. Para seleccionar la velocidad baja reglaje de mayor torsión (posición 1), apague la herramienta y deje que se detenga. Empuje el botón hacia el portabrocas. Para seleccionar velocidad baja, torsión y velocidad baja (posición 2) apague la herramienta y deje que se detenga. Deslice el cambiador de engranajes hacia atrás (lejos del portabroca). NOTA: No haga cambio de engranajes cuando la herramienta está funcionando. De tener problemas en cambiar los engranajes, asegúrese de que el botón de engranajes de doble alcance esté o completamente empujado hacia adelante o completamente empujado hacia atrás.

BROQUERO SIN LLAVE

Para insertar una broca u otro accesorio:

- Agarre la mitad posterior del portabroca con una mano y use la otra para girar la mitad anterior en dirección antihoraria, visto desde el portabroca.
- Inserte la broca u otro accesorio completamente en el portabroca, y apriete muy bien mientras sujeta la mitad posterior del portabroca y gira la porción frontal en dirección horaria, visto desde el portabroca.

ADVERTENCIA: No trate de apretar las brocas (u cualquier otro accesorio) agarrando la parte frontal del portabroca y prendiendo la herramienta. Esto podría dañar el portabrocas u ocasionar lesiones personales al hacer cambio de accesorios

SISTEMA DE CAMBIO DE BROCA QUICK CONNECT™, - FIGURA 6

Otro dispositivo único de este taladro es la capacidad de quitar el portabroca en forma rápida y fácil. Esto permite que la broca se mantenga en el portabroca sin llave mientras que al mismo tiempo se inserta otro accesorio, una broca destornilladora p. ej., en la barra hexagonal Quick Connect™.

Para quitar el portabroca:

- Tome el taladro y oprima lo dos botones color naranja que se encuentran en el collar del portabroca según se ilustra en la Figura 6.
- Con los botones oprimidos, tire hacia afuera, en forma recta.

Para reponer el portabroca:

- Empuje el portabroca Quick Connect en forma recta con un leve movimiento giratorio hasta que usted oiga “clic” y se asienta en su lugar.

Para insertar una broca destornilladora en la barra hexagonal Quick Connect™, empuje la broca hasta que usted oiga “clic” y se asienta en su lugar. Para quitar la broca, sujete el taladro según se ilustra en la Figura 7. Empuje hacia adentro uniformemente sobre el disco de resorte con dos dedos y saque la broca en forma recta hacia afuera.

DES/ATORNILLADO TORNILLOS

Para atornilar sujetadores, se debe empujar el botón de reversa hacia la izquierda. Use el botón de reversa (empujado hacia la derecha) para quitar los sujetadores. Antes de mover el botón de adelante a reversa, o vice versa, suelte siempre el interruptor de gatillo primero.

TALADRADO

- Use sólo brocas afiladas.
- Aseguro y apoye la pieza de trabajo adecuadamente, según se indica en las Instrucciones de seguridad.
- Use el equipo de seguridad apropiado requerido, según se indica en las Instrucciones de seguridad.
- Asegure y mantenga su área de trabajo según se indica en las Instrucciones de seguridad.
- Opere el taladro muy lentamente, presionando levemente, hasta que el hueco esté lo suficientemente definido para que la broca no se salga.
- Aplice presión alineada con la broca. Ejercer suficiente presión para que la broca permanezca en rotación, pero no demasiada con el fin de evitar que el motor se atasque o la broca se desvíe.
- Sujete firmemente el taladro para controlar la fuerza de torsión del taladro.
- NO APRIETE EL INTERRUPTOR DE DISPARO EN LAS POSICIONES DE ENCENDIDO Y APAGADO CON EL FIN DE INTENTAR HACER FUNCIONAR LA BROCA ATORADA - ESTO PUEDE DAÑAR EL TALADRO
- Minimice el atascamiento por atravesamiento mediante reducción de la presión y taladrado lento a través de la última parte del hueco.
- Mantenga el motor en funcionamiento al retirar la broca del interior de la perforación, de manera que evite su atascamiento.
- Use un lubricante para corte al taladrar metales. Las excepciones son el hierro colado y el latón, los cuales que deben perforarse en seco. Los lubricantes para corte que mejor funcionan son aceites sulfurizados para corte o manteca de cerdo.
- Cuando use brocas helicoidales para taladrar huecos en madera, será necesario sacar las brocas frecuentemente para retirar las virutas que se acumulan en sus ranuras.
- Asegúrese de que el interruptor prende y apaga el taladro.
⚠ ADVERTENCIA: Es importante apoyar la pieza de trabajo adecuadamente y sujetar el taladro firmemente para evitar la pérdida de control que podría causar daño personal. Si tiene preguntas sobre como operar la herramienta adecuadamente, llame al: **(55)5326-7100**.

TALADRADO EN MADERA

Los huecos en madera pueden efectuarse con las mismas brocas helicoidales usados para metal o con brocas de horquilla. Estas brocas deben ser afiladas y deben retirarse frecuentemente al taladrar para limpiar las virutas de las ranuras.

TALADRADO EN METAL

Use un lubricante para corte al taladrar metales. Las excepciones son el hierro colado y el latón, los cuales que deben perforarse en seco. Los lubricantes para corte que mejor funcionan son aceites sulfurizados para corte o manteca de cerdo.

TALADRADO EN ALBAÑILERÍA

Use brocas con puntas de carburo de tungsteno. Refiérase a la sección Taladrado. Ejercer una fuerza uniforme sobre el taladro, pero no tanto que se fracture el material quebradizo. Un flujo uniforme y suave de rebabas indica que se está taladrando a una velocidad adecuada.

MANTENIMIENTO

Utilice solamente jabón suave y agua para limpiar la herramienta. Nunca permita que ningún líquido se introduzca dentro dentro de la misma; nunca sumerja ninguna parte de la herramienta dentro de ningún líquido.

Una aplicación ocasional de aceite casero a la barra hexagonal Quick Connect™ ayudará a prevenir el óxido”.

IMPORTANTE: Para garantizar la SEGURIDAD y la FIABILIDAD del producto, las reparaciones, el mantenimiento y los ajustes (no enumerados en este manual), deberán ser realizados en los centros autorizados de servicio u otras organizaciones de servicio calificadas, utilizando siempre para ello accesorios originales.

EL SELLO RBRC™

El sello RBRC™ (Rechargeable Battery Recycling Corporation) en las baterías de níquelcadmio, indica que el costo del reciclaje de la batería (o grupo de baterías), al final de su vida útil, ya ha sido pagado por Black & Decker. En algunas áreas es ilegal colocar las baterías de níquelcadmio desgastadas en la basura doméstica o en los basureros municipales y el programa RBRC™ proporciona una alternativa ambiental conveniente.

La RBCR, en cooperación con Black & Decker y otros usuarios de baterías, han establecido programas en los Estados Unidos para facilitar la recolección de baterías de níquelcadmio desgastadas. Al llevar sus baterías desgastadas de níquelcadmio a un centro de servicio autorizado Black & Decker o a su minorista local para el reciclaje de su batería, usted ayuda a proteger nuestro medio ambiente y a conservar nuestros recursos naturales. Usted puede comunicarse con el centro de reciclaje de su localidad para que le informen acerca de los lugares donde usted puede regresar las baterías desgastadas, o llame a 1-800-8-BATTERY.

ACCESORIOS

Los accesorios que se recomiendan usar con su herramienta están disponibles donde su distribuidor o centro de servicio local. De necesitar asistencia para obtener un accesorio, favor llamar a: 1-800-54-HOW-TO (544-6986).

[symbol] **ADVERTENCIA:** Puede ser peligroso usar cualquier accesorio no recomendado. Los accesorios siguientes deben usarse únicamente en los tamaños especificados a continuación:

BROCAS, TALADRADO EN METAL – Hasta 3/8" (9.5mm); BROCAS, TALADRADO EN ALBAÑILERÍA – Hasta 3/8" (9.5mm); TALADRADO EN MADERA – Hasta 1/2" (12.7mm).

INFORMACIÓN ACERCA NUESTROS CENTROS DE SERVICIO

Todos los centros de servicio Black & Decker tienen personal entrenado para dar un servicio eficiente y confiable a las herramientas eléctricas de sus clientes. De necesitar orientación técnica, reparación, o repuestos originales de fábrica, diríjase al centro Black & Decker más cercano. Para hallar la ubicación del centro de servicio local, busque en las páginas amarillas de la guía telefónica bajo "Herramientas—Eléctricas" o llame a: **(55)5326-7100**

GARANTÍA COMPLETA DE DOS AÑOS PARA USO DOMÉSTICO

Black & Decker (U.S.) Inc. garantiza este producto por dos años contra todo defect en material y fabricación. El producto defectuoso será reemplazado o reparado sin costo en algunas de las formas siguientes.

La primera, que resultará en intercambio solamente, será devolviendo el producto al distribuidor del cual fue comprado (siempre que la tienda sea un minorista participante). Las devoluciones deberán hacersen dentro del período que el minorista tiene por política de intercambio(generalemente de 30 a 90 días despues de la venta). La prueba de compra podrá ser requerida. Favor infórmese con el minorista sobre la política específica de devolución en cuanto a devoluciones que hechos en fecha posterior al fijado para intercambios.

La segunda opción es llevar o enviar el producto (prepagado) a un centro de servicio Black & Decker o uno autorizado para reparaciones o reemplazo a nuestra discreción. La prueba de compra podrá ser requerida. Los centros de servicio Black & Decker o centros autorizado se anuncian bajo "Herramientas - Eléctricas" en las páginas amarillas de la guía telefónica.

Esta garantía no se aplica a los accesorios. Esta garantía le otorga a usted derechos legales específicos y otros derechos que pueden variar de estado en estado. Si tiene alguna pregunta, comuníquese con el gerente de su centro de servicio Black & Decker más cercano.

Este producto no está destinado a uso comercial.

SUSTITUCIÓN GRATUITA DE LAS ETIQUETAS DE ADVERTENCIA: Si sus etiquetas de advertencia se vuelven ilegibles o se pierden, llame al **1-800-544-6986** para conseguir repuestos gratuitos.

Para reparación y servicio de sus herramientas eléctricas, favor de dirigirse al Centro de Servicio más cercano:

CULIACAN, SIN

Av. Nicolás Bravo #1063 Sur
(667) 7 12 42 11
Col. Industrial Bravo

GUADALAJARA, JAL

Av. La Paz #1779
(33) 3825 6978
Col. Americana Sector Juarez

MEXICO, D.F.

Eje Central Lázaro Cardenas
No. 18
(55) 5588 9377
Local D, Col. Obrera

MERIDA, YUC

Calle 63 #459-A
(999) 928 5038
Col. Centro

MONTERREY, N.L.

Av. Francisco I. Madero
No.831
(81) 8375 2313
Col. Centro

PUEBLA, PUE

17 Norte #205
(222) 246 3714
Col. Centro

QUERETARO, QRO

Av. Madero 139 Pte.
(442) 214 1660
Col. Centro

SAN LUIS POTOSI, SLP

Av. Universidad 1525
(444) 814 2383
Col. San Luis

TORREON, COAH

Blvd. Independencia, 96 Pte.
(871) 716 5265
Col. Centro

VERACRUZ, VER

Prolongación Díaz Mirón #4280
(229)921 7016
Col. Remes

VILLAHERMOSA, TAB

Constitución 516-A
(993) 312 5111
Col. Centro

PARA OTRAS LOCALIDADES LLAME AL: (55) 5326 7100

ESPECIFICACIONES

Cargador:
INPUT: 120V AC 60Hz 25W
OUTPUT: 2X 21,75V DC 210 mA
(NOM 2X 21,75V DC)

Para servicio y ventas consulte
“HERRAMIENTAS ELECTRICAS”
en la sección amarilla.



IMPORTADOR: BLACK & DECKER S.A. DE C.V.
BOSQUES DE CIDROS ACCESO RADIATAS NO. 42
BOSQUES DE LAS LOMAS, 05120 MEXICO, D.F.
(55) 5326-7100