



Sno-Thro.®

Parts Manual

Models

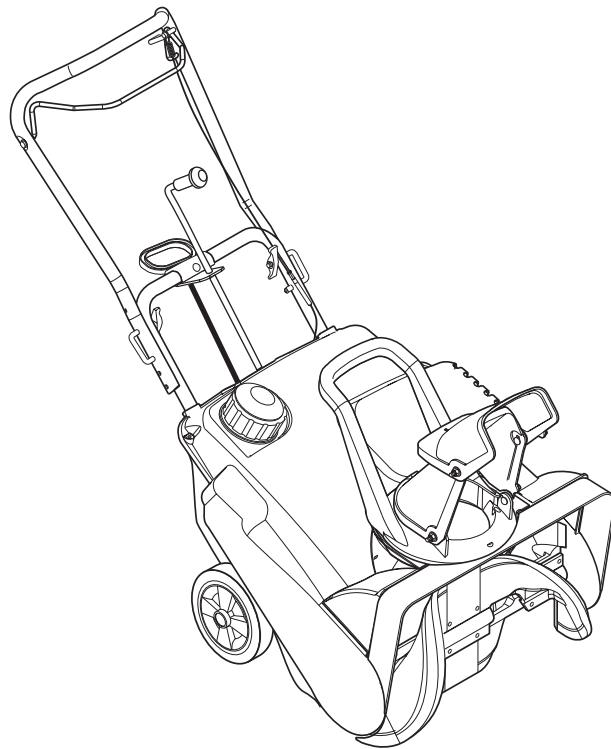
938015 - 322

938017 - 522

938018 - 722

938019 - 522

938300 - 522



THE MANUAL

Before you operate your unit, carefully and completely read manuals supplied with the unit. The contents will provide you with an understanding of safety instructions and controls during normal operation and maintenance.

For your safety and the safety of others always read, understand, and follow all DANGER, WARNING, and CAUTION messages found in manuals and on safety decals.

Hardware descriptions are given in decimals.

| Decimals to Fractions | | | |
|-----------------------|------|------|-------|
| .063 | 1/16 | .563 | 9/16 |
| .125 | 1/8 | .625 | 5/8 |
| .188 | 3/16 | .688 | 11/16 |
| .250 | 1/4 | .750 | 3/4 |
| .313 | 5/16 | .813 | 13/16 |
| .375 | 3/8 | .875 | 7/8 |
| .438 | 7/16 | .938 | 15/16 |
| .500 | 1/2 | 1.00 | 1 |

SERVICE AND REPLACEMENT PARTS

When ordering replacement parts or making service inquiries, know the Model and Serial numbers of your unit and engine.

Numbers are located on the product registration card in the unit literature package. They are printed on a serial number label, located on the frame of your unit.

- Record Unit Model and Serial numbers here:

- Record Engine Model and Serial numbers here:

UNAUTHORIZED REPLACEMENT PARTS

Use only Ariens replacement parts. The replacement of any part on this vehicle with anything other than an Ariens authorized replacement part may adversely affect the performance, durability, or safety of this unit and may void the warranty. Ariens disclaims liability for any claims or damages, whether warranty, property damage, personal injury or death arising out of the use of unauthorized replacement parts.

PRODUCT REGISTRATION

The Gravely dealer must register the product at the time of purchase. Registering the product will help the company process warranty claims or contact you with the latest service information. All claims meeting requirements during the limited warranty period will be honored, whether or not the product registration card is returned. Keep a proof of purchase if you do not register your unit.

Customer Note: If Dealer does not register your product, please fill out, sign and return the product registration card to Gravely.

YOUR SATISFACTION IS IMPORTANT

Questions? Please follow these helpful steps:

1. Refer to the manuals supplied with your unit.
They will guide you through safe and proper operation and maintenance.
They contain specifications on your unit.
If your questions are not answered in these manuals, go to step number two.
2. Contact Your Dealer.
Our dealers will be happy to supply any service or advice required to keep your unit operating at peak efficiency.
A factory trained staff is available to support your equipment needs. They stock genuine Ariens parts and lubricants manufactured with the same precision and skill as the original.
If your questions are not resolved by the support staff, ask for the manager or owner.
When contacting your Dealer supply your model and serial numbers.

TO SPEED PARTS ORDERING:

1. Know the model and serial numbers of your unit.
2. Know the part number required.
3. Know the quantity required.
4. Know the part description.

MODELS

938015 (SS322)
3 HP 22" Single Stage Sno-Thro
Serial No. 003000 and up

938017 (SS522)
5 HP 22" Single Stage Sno-Thro
Serial No. 000101 and up

938018 (SS722)
7HP 22" Single Stage Sno-Thro
Serial No. 000101 and up

938019 (SS522)
5HP 22" Single Stage Sno-Thro
Serial No. 000101 and up

938300 (SS522)
5 HP 22" Single Stage Sno-Thro
Serial No. 000101 and up

TABLE OF CONTENTS

DECALS

Decals 3

POWER PLANT

Engine and Drive 4

OPERATORS CONTROLS

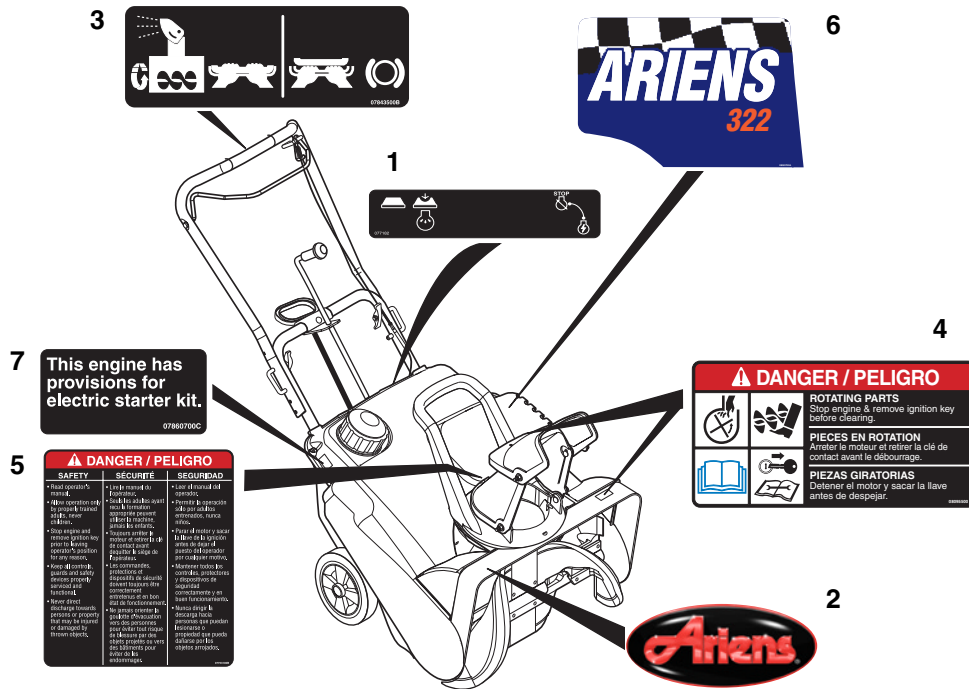
Chassis, Cowl, Wheels and Supports 6

Auger and Discharge Chute. 8

Handlebars and Controls 10

DECALS

Model 938015, 017, 018, 019, 300

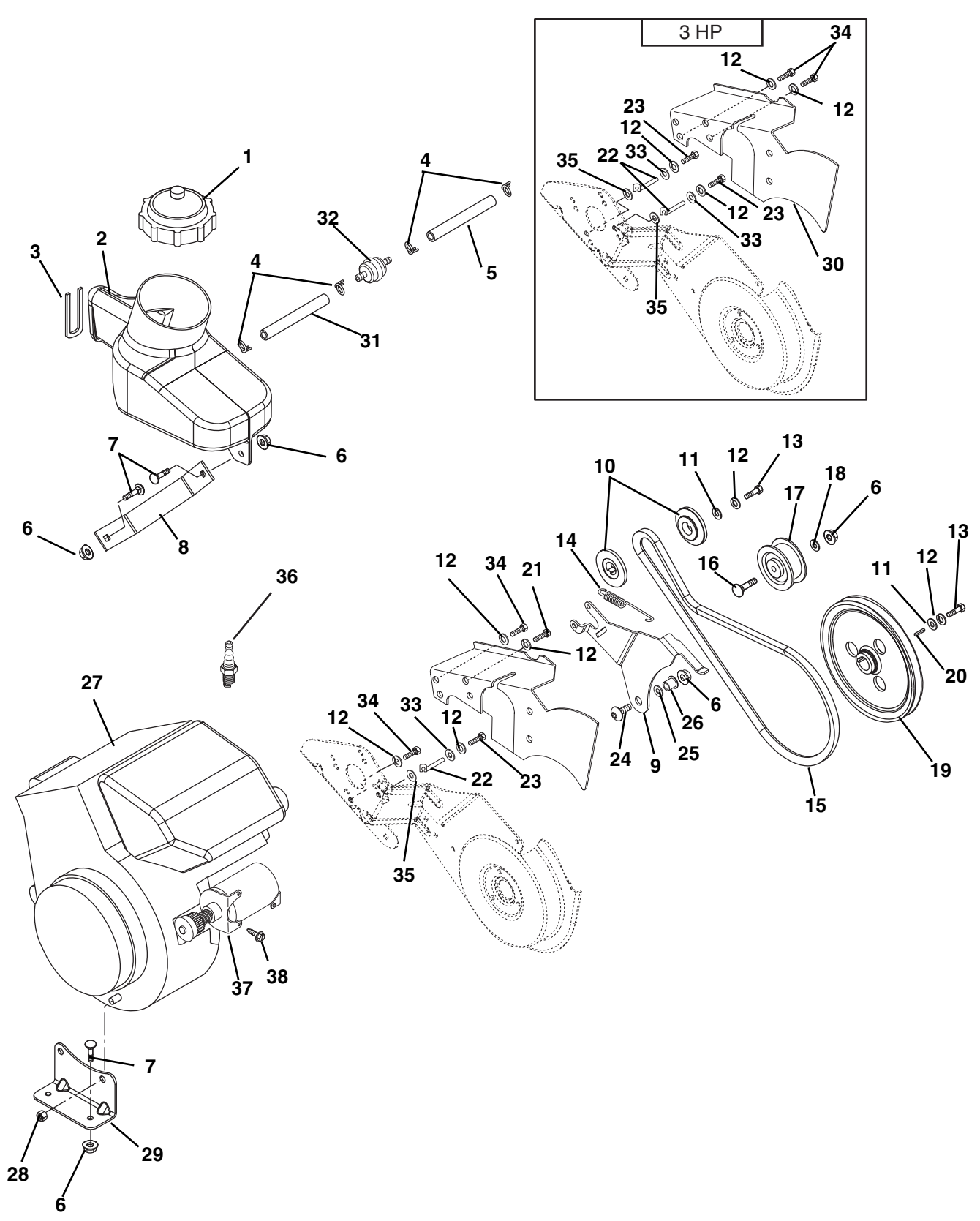


PS0017

| Item | Part No. | Qty. | Description |
|------|----------|------|---------------------------------------------|
| 1 | 07718200 | 1 | Decal, Panel |
| 2 | 07746400 | 1 | Decal, Ariens |
| 3 | 07843500 | 1 | Decal, Auger Bail |
| 4 | 08095500 | 2 | Decal, Safety-Auger and Chute, Single Stage |
| 5 | 07753100 | 1 | Decal, Danger Chute |
| 6 | 08083700 | 1 | Decal, 322 (015) |
| | 08083800 | 1 | Decal- 522 (017, 019, 300) |
| | 08093800 | 1 | Decal, 722 (018) |
| 7 | 07860700 | 1 | Decal, Electric Start (019, 300) |

ENGINE AND DRIVE

Model 938015, 017, 018, 019, 300



PS0036

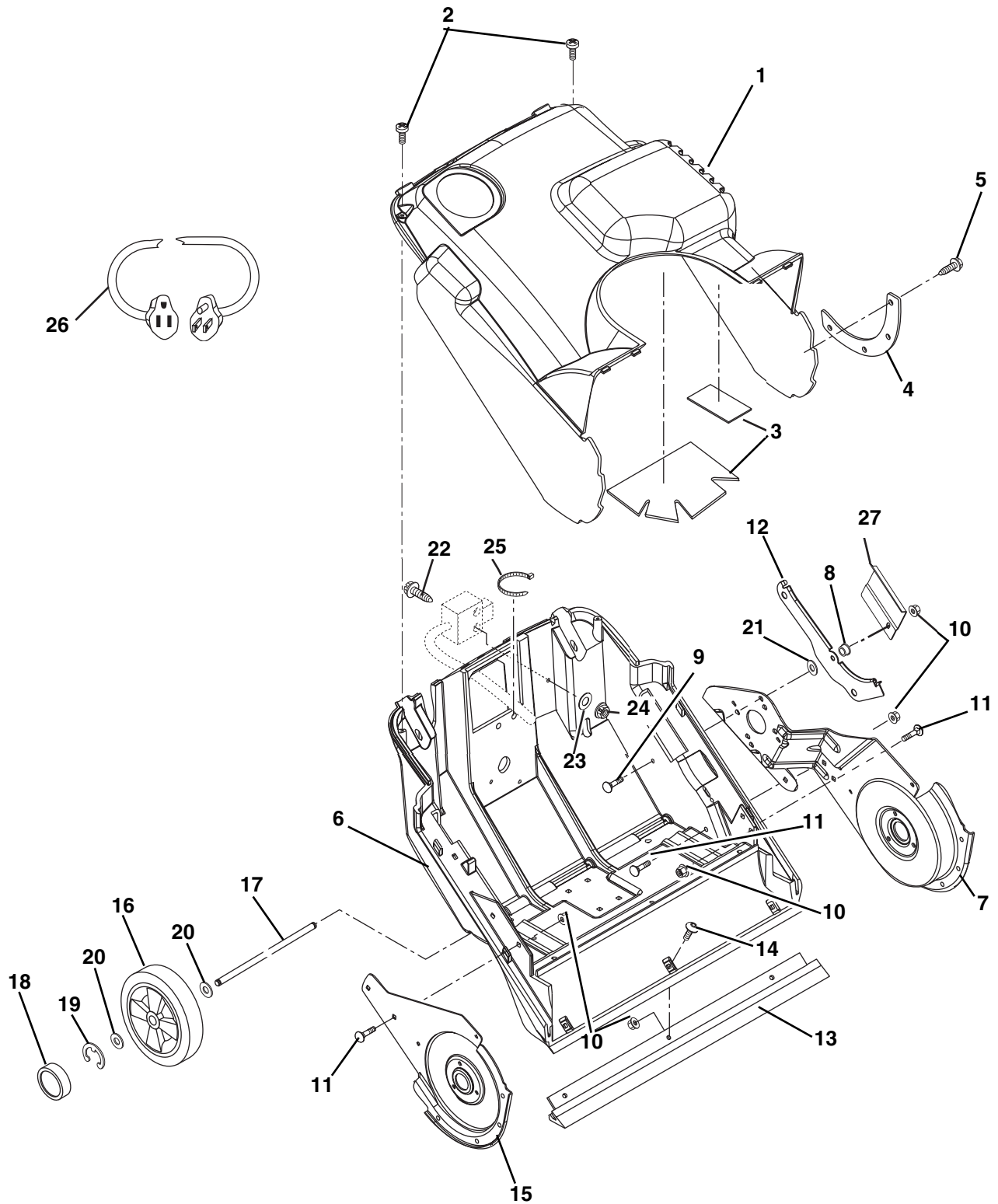
ENGINE AND DRIVE

Model 938015, 017, 018, 019, 300

| Item | Part No. | Qty. | Description |
|------|----------|------|-----------------------------------------------------------------|
| 1 | 07525300 | 1 | Cap-Fuel |
| 2 | 53802500 | 1 | Kit, 938 Fuel Tank (Includes Item 31 and 32) |
| 3 | 03807800 | 1 | Tape Foam, Neoprene 6.0" |
| 4 | 06939100 | 4 | Clamp-Hose Wire .49/.51 x .116 |
| 5 | 03807900 | 1 | Gas Line .25" I.D. x 9.5 (017, 018, 019, 300) |
| | 03328000 | 1 | Gas Line .25" ID x 11.0 (015) |
| 6 | 06527600 | 6 | Nut-Locking-Center-Flange .25-20 |
| 7 | 06219900 | 4 | Bolt-Round Head Square Neck .25-20 x .75 |
| 8 | 03802600 | 1 | Bracket-Fuel Tank Mounting |
| 9 | 03810800 | 1 | Idler Arm |
| 10 | 03801200 | 2 | Pulley-Drive 3L x 1.80 Diameter (017, 018, 019, 300) |
| | 03801100 | 2 | Pulley-Drive 3L x 1.52 Diameter (015) |
| 11 | 06435700 | 2 | Washer-Flat-Steel .38 x .875 x .083 |
| 12 | 06307400 | 6 | Washer-Locking .312 x .097 Heavy |
| 13 | 05947300 | 2 | Bolt-Hex .31-24 x .75 |
| 14 | 08334000 | 1 | Spring, Extension |
| 15 | 07236300 | 1 | V-Belt 3L-Section 32.53 x .38 (017, 018, 019, 300) |
| | 07236400 | 1 | V-Belt 3L-Section 32.04 x .38 (015) |
| 16 | 06219700 | 1 | Bolt-Round Head Square Neck .25-20 x 1.25 |
| 17 | 07321900 | 1 | Idler-Flat 1.75 x .27 |
| 18 | 06426600 | 1 | Washer-Flat-Steel .28 x 1.00 x .063 |
| 19 | 07325900 | 1 | Pulley-V, Impeller Shaft 5.50 x .67 with Key |
| 20 | 06606100 | 1 | Key-Square .188 x .75 x .188 |
| 21 | 05933100 | 1 | Screw-Cap .31-18 x .75 (017, 018, 019, 300) |
| 22 | 03805500 | 1 | Finger-Belt (017, 018, 019, 300) |
| | 03805500 | 2 | Finger-Belt (015) |
| 23 | 05946900 | 1 | Bolt-Hex .31-18 x 1.00 Grade 5 (017, 018, 019, 300) |
| | 05946900 | 2 | Bolt-Hex .31-18 x 1.00 Grade 5 (015) |
| 24 | 06114400 | 1 | Screw-Machine .25-20 x .75 |
| 25 | 06436000 | 2 | Washer-Flat-Steel .51 x .88 x .024 |
| 26 | 05513400 | 1 | Bushing-Flange .27 x .44 x .25 x .75 |
| 27 | 08249100 | 1 | Engine-HSK850 5 HP 2 Cycle (017, 019, 300) |
| | 08249000 | 1 | Engine-HSK 3 HP 2 Cycle (015) |
| | 08264700 | 1 | Engine, 7HP 2 Cycle Tecumseh (018) |
| 28 | 06529800 | 2 | Nut-Locking-Center .31-18 |
| 29 | 03801600 | 1 | Bracket, Engine Mounting |
| 30 | 03810751 | 1 | Baffle |
| 31 | 03813600 | 1 | Gas Line .25 I.D. x 2.5 |
| 32 | 02910800 | 1 | Fuel Filter |
| 33 | 06437200 | 1 | Washer-Flat-Steel .344 x .688 x .065(017, 018, 019, 300) |
| | 06437200 | 2 | Washer-Flat-Steel .344 x .688 x .065 (015) |
| 34 | 05947000 | 2 | Bolt-Hex .31-18 x .75 Grade 5 (017, 018, 019, 300) |
| 35 | 06307200 | 1 | Washer-Locking-External .326 x .599 x .031 (017, 018, 019, 300) |
| | 06307200 | 2 | Washer-Locking-External .326 x .599 x .031 (015) |
| 36 | 21533600 | 1 | Plug, Spark |
| 37 | 03803500 | 1 | Motor-Starting (017, 018) |
| 38 | 07029500 | 3 | Screw-Hex Flange Washer Head .25-20 x .49 (017, 018) |

CHASSIS, COWL, WHEELS AND SUPPORTS

Model 938015, 017, 018, 019, 300



PS0515

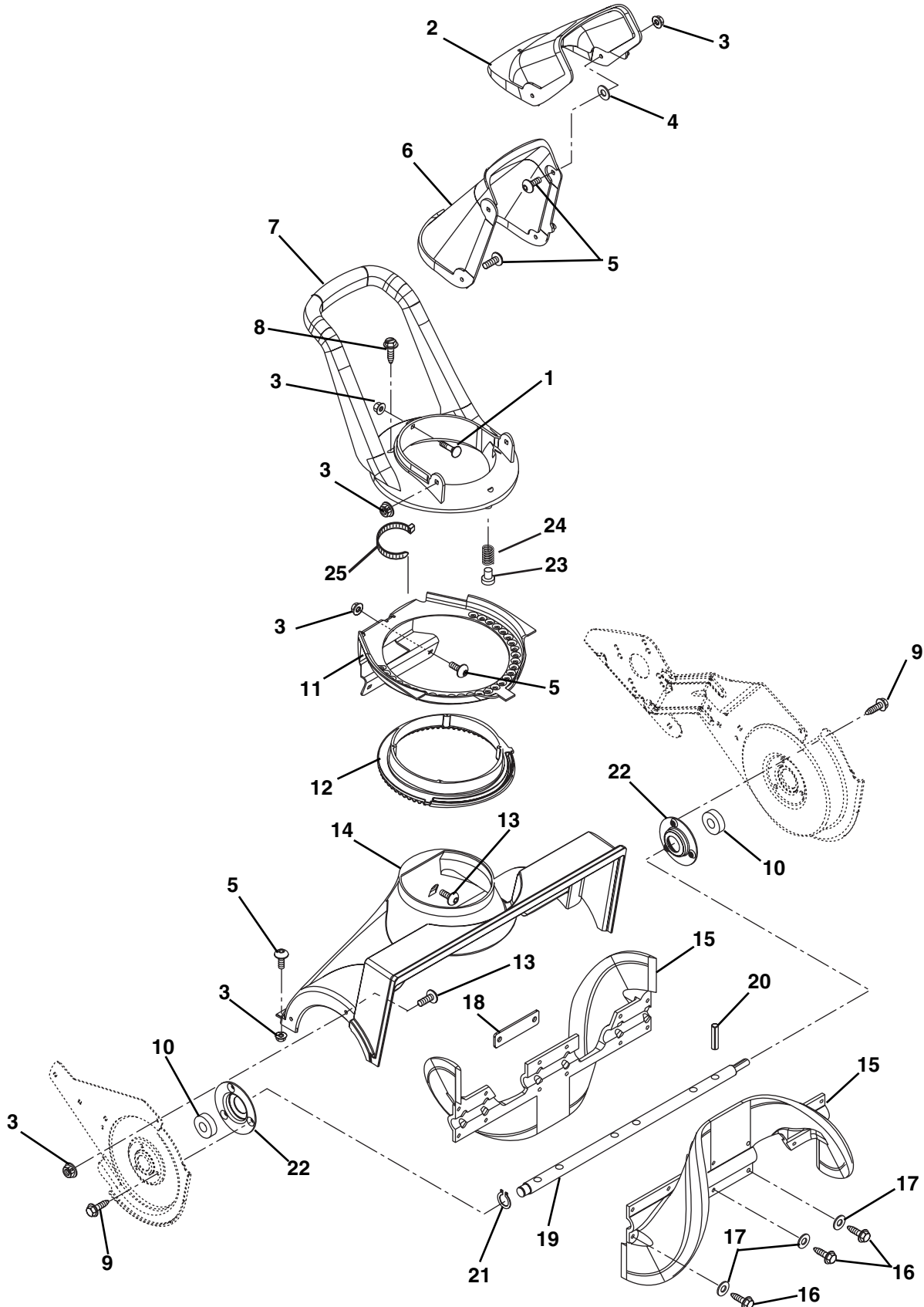
CHASSIS, COWL, WHEELS AND SUPPORTS

Model 938015, 017, 018, 019, 300

| Item | Part No. | Qty. | Description |
|------|----------|------|---------------------------------------------------|
| 1 | 53801800 | 1 | Cowl-Assembly (Includes Item 3) |
| 2 | 07412300 | 2 | Screw-Special-Tapping #10 x 1.0 with #12 Head |
| 3 | 03805000 | 1 | Sheet-Heat Reflective (017, 018, 019, 300) |
| | 03805200 | 1 | Sheet-Heat Reflective 3 x 5 (015) |
| 4 | 03810451 | 2 | Plate-Cowl Retainer |
| 5 | 07413300 | 8 | Screw-Tapping 12-24 x .50 |
| 6 | 03810500 | 1 | Chassis |
| 7 | 03807151 | 1 | Support-Bearing, Left Hand |
| 8 | 05513400 | 1 | Bushing-Flange .27 x .44 x .25 x .75 |
| 9 | 06219700 | 1 | Bolt-Round Head Square Neck .25-20 x 1.25 Grade 5 |
| 10 | 06527600 | 9 | Nut-Locking-Center-Flange .250-20 |
| 11 | 06219900 | 5 | Bolt-Round Head Square Neck .25-20 x .75 Grade 5 |
| 12 | 03811400 | 1 | Guide-Cable |
| 13 | 03813800 | 1 | Blade-Scraper |
| 14 | 06114400 | 3 | Screw-Machine .25-20 x .75 |
| 15 | 03807200 | 1 | Support-Bearing, Right Hand |
| 16 | 07139400 | 2 | Tire/Wheel Assembly 7.0 x 1.5 |
| 17 | 03802300 | 1 | Axle |
| 18 | 03802400 | 2 | Cap-Hub |
| 19 | 05710600 | 2 | Ring-Retaining-External .38 x .035 Type E |
| 20 | 06436200 | 4 | Washer-Flat-Steel .41 x .81 x .065 |
| 21 | 06435800 | 1 | Washer-Flat-Steel .31 x .73 x .065 |
| 22 | 06116600 | 2 | Screw-Machine 8-32 x 2.75 (017, 018) |
| 23 | 06442700 | 2 | Washer- Flat Steel .219 x .50 x .49 (017, 018) |
| 24 | 06531300 | 2 | Nut, Lock Nylon 8-32 (017, 018) |
| 25 | 07517300 | 1 | Cable Tie (017, 018) |
| 26 | 02483100 | 1 | Cord, Extension (017, 018) |
| 27 | 03808900 | 1 | Deflector-Exhaust (015) |

AUGER AND DISCHARGE CHUTE

Model 938015, 017, 018, 019, 300



PS0064

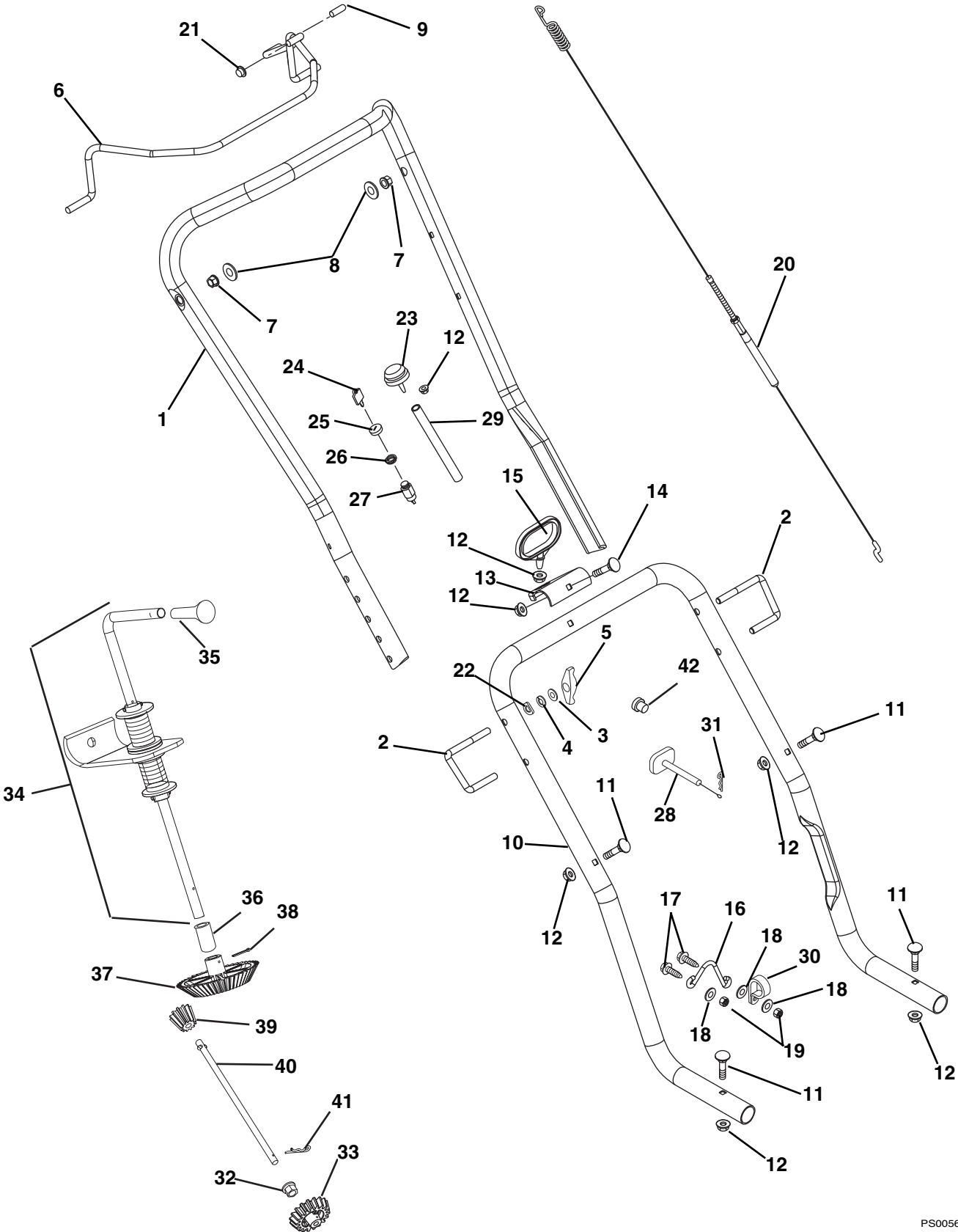
AUGER AND DISCHARGE CHUTE

Model 938015, 017, 018, 019, 300

| Item | Part No. | Qty. | Description |
|------|----------|------|--------------------------------------------------|
| 1 | 06219900 | 1 | Bolt-Round Head Square Neck .25-20 x .75 Grade 5 |
| 2 | 53800400 | 1 | Deflector-Discharge Chute Assembly |
| 3 | 06527600 | 13 | Nut-Locking-Center-Flange .25-20 |
| 4 | 06437800 | 2 | Washer-Flat-Rubber .31 x 1.25 x .06 |
| 5 | 06114400 | 9 | Screw-Machine .25-20 x .75 |
| 6 | 53801700 | 1 | Chute-Discharge |
| 7 | 03801800 | 1 | Handle |
| 8 | 07409500 | 4 | Screw-Tapping 8-18 x 1.50 |
| 9 | 07412000 | 6 | Screw-Tapping .25 x .50 Hex Washer Head |
| 10 | 05418800 | 2 | Bearing Ball .699 x 1.58 x .47 |
| 11 | 03801700 | 1 | Bracket-Discharge Chute Rotation |
| 12 | 03804000 | 1 | Gear-Discharge Chute Segment |
| 13 | 06114300 | 5 | Screw-Machine .25-20 x .50 |
| 14 | 53800300 | 1 | Housing-Auger Assembly |
| 15 | 03807000 | 2 | Auger Half |
| 16 | 07412400 | 12 | Screw-Tapping .25-20 x 1.00 |
| 17 | 06426600 | 12 | Washer-Flat-Steel .28 x 1.00 x .063 |
| 18 | 03803000 | 6 | Plate, Bolt, Self-Tapping |
| 19 | 03806900 | 1 | Shaft-Auger |
| 20 | 05809200 | 6 | Pin-Roll .25 x 1.75 |
| 21 | 05706100 | 1 | Ring-Retaining-External .67 x .035 |
| 22 | 03800800 | 2 | Cup-Bearing |
| 23 | 06816700 | 1 | Rivet .25 x 1.13 Truss Head (015, 019) |
| 24 | 08329800 | 1 | Spring-Compression .045 x .36 x 2.75 (015, 019) |
| 25 | 07517300 | 1 | Cable Tie (017, 018, 300) |

HANDLEBARS AND CONTROLS

Model 938015, 017, 018, 019, 300



PS0056

HANDLEBARS AND CONTROLS

Model 938015, 017, 018, 019, 300

| Item | Part No. | Qty. | Description |
|------|----------|------|----------------------------------------------------|
| 1 | 03804451 | 1 | Handle Bar-Upper |
| 2 | 03802700 | 2 | J Bolt .31-18 |
| 3 | 06439400 | 2 | Washer-Flat-Steel .33 x .88 x .062 |
| 4 | 06307400 | 2 | Washer-Locking .31 x .097 Heavy |
| 5 | 07531700 | 2 | Knob, Wing .31-18 |
| 6 | 03809051 | 1 | Bail, Single Stage |
| 7 | 05514500 | 2 | Bushing-Flange .33 x .44 x .44 x .56 |
| 8 | 06437200 | 2 | Washer-Flat-Steel .34 x .69 x .065 |
| 9 | 07517000 | 1 | Cap |
| 10 | 03802151 | 1 | Handle Bar-Lower |
| 11 | 06220000 | 4 | Bolt-Round Head Square Neck .25-20 x 1.75 |
| 12 | 06527600 | 6 | Nut-Locking-Center-Flange .25-20 |
| 13 | 03802900 | 1 | Bracket-Starter-Handle |
| 14 | 06206000 | 1 | Bolt-Round Head Square Neck .25-20 x 1.50 |
| 15 | 01157100 | 1 | Recoil Start Handle |
| 16 | 03803800 | 1 | Guide-Rope |
| 17 | 06118500 | 2 | Screw-Machine 10-24 x 1.00 Hex Washer Head |
| 18 | 06442700 | 3 | Washer-Flat-Steel .22 x .50 x .049 |
| 19 | 06536000 | 2 | Nut-Locking Nylon with Insert 10-24 |
| 20 | 06943300 | 1 | Cable-Clutch Control |
| 21 | 02215300 | 1 | Nut, Push .25 |
| 22 | 06446800 | 2 | Washer, Saddle-.32 x .94 x .062 |
| 23 | 07518200 | 1 | Primer Assembly |
| 24 | 02460700 | 1 | Key-w/Cap |
| 25 | 07517700 | 1 | Cap-Ignition Switch |
| 26 | 06517300 | 1 | Nut-Panel .63-32 |
| 27 | 52406900 | 1 | Assembly, Switch |
| 28 | 06949200 | 1 | Control, Choke 5HP and 7HP Tecumseh 2 Cycle |
| | 06929000 | 1 | Control-Choke 3 HP (015) |
| 29 | 03803300 | 1 | Line-Primer |
| 30 | 00539800 | 1 | Clamp, Nylon .5 Hose |
| 31 | 06714800 | 1 | Pin-Hair |
| 32 | 05514500 | 1 | Bushing-Flange .33 x .44 x .56 (017, 018, 300) |
| 33 | 03804100 | 1 | Pinion-Discharge Chute 18T |
| 34 | 53800100 | AR | Crank-Chute Assembly (017, 018, 300) |
| 35 | 07514500 | 1 | Knob (017, 018, 300) |
| 36 | 03803900 | 1 | Spacer-crank Transfer Pinion (017, 018, 300) |
| 37 | 03804300 | 1 | Pinion-Crank Transfer 48T (017, 018, 300) |
| 38 | 06701100 | 1 | Pin, Cotter .16 x 1.25 (017, 018, 300) |
| 39 | 03804200 | 1 | Gear, Crank Transfer 12T (017, 018, 300) |
| 40 | 03803600 | 1 | Shaft, Chute Crank Transfer (017, 018, 300) |
| 41 | 06701000 | 1 | Pin-Hair Internal .08 x .38 x 1.42 (017, 018, 300) |
| 42 | 07527800 | 1 | Plug-Hole .50 Diameter (015, 019, 300) |



Ariens Company
655 West Ryan Street
P.O. Box 157
Brillion, WI 54110-0157
920-756-2141
Fax 920-756-2407
www.ariens.com