

Garantía Limitada

Durante un (1) año a partir de la fecha de compra, WAYNE Water Systems, cuyo nombre comercial es AquaPRO® Systems reparará o cambiará, a su propio criterio, para el propietario original, cualquier pieza de sus Filtros de Cartucho ("Producto") que AquaPRO® Systems determine, luego de examinarlo, que tienen defectos de materiales o de mano de obra.

Por favor, llame por instrucciones a AquaPRO® Systems, al teléfono 1-877-278-2797. Esté listo a proporcionar el recibo, el número del modelo y de serie cuando ejerza el derecho a esta garantía limitada.

El comprador deberá pagar todos los cargos de mano de obra y transporte de los Productos o piezas enviadas para reparación o cambio.

Todos los cargos por servicios que no entran en esta garantía corren por cuenta del comprador original. El no pago de los cargos que no pertenecen a la garantía anularán esta Garantía limitada.

Esta garantía limitada no cubre productos que estén dañados debido a accidentes, congelamiento, abuso, uso indebido, negligencia, instalación incorrecta, mantenimiento inadecuado, o no hacerlo funcionar según las instrucciones escritas de AquaPRO® Systems. Todo el mantenimiento y servicio deberá ser realizado por parte de agentes de servicio aprobados por AquaPRO® Systems. Cualquier modificación o reparación no autorizada anulará esta Garantía limitada.

NO EXISTE OTRA GARANTÍA EXPRESA. LAS GARANTÍAS IMPLÍCITAS, INCLUYENDO AQUELLAS DE COMERCIALIZACIÓN Y APTITUD PARA UN PROPÓSITO EN PARTICULAR, ESTÁN LIMITADAS A UN (1) AÑO A PARTIR DE LA FECHA DE COMPRA. ÉSTE ES EL RECURSO EXCLUSIVO Y SE EXCLUYE CUALQUIER RESPONSABILIDAD POR TODO Y CUALQUIER DAÑO INDIRECTO O CONSECUENTE O GASTOS AFINES.

Algunos estados no permiten limitaciones sobre la duración de las garantías implícitas o no permiten la exclusión ni la limitación de daños incidentales o consecuentes, por lo tanto es posible que las limitaciones anteriores no se apliquen en su caso. Esta garantía limitada le proporciona derechos legales específicos, y también puede tener otros derechos legales que varían de un estado a otro.

Bajo ningún concepto, ya sea por incumplimiento del contrato de garantía, incumplimiento extracontractual (incluyendo negligencia) u otro, AquaPRO® Systems o sus proveedores serán responsables de ningún daño especial, consecuente, incidental o penal, incluyendo, pero sin limitarse a pérdida de ganancias, pérdida de uso del producto o cualquier equipo asociado, daños al equipo asociado, costo de capital, costo de productos sustitutos, instalaciones, poderes de servicio o reemplazo, costos de inutilidad, o reclamos de clientes del comprador por dichos daños.

Esta garantía limitada no incluye gastos de flete por equipos o piezas, hacia y desde la fábrica, servicios como mantenimiento o inspección, reparación o daños debido a negligencia tal como condiciones de congelamiento, instalación incorrecta ni hechos fortuitos. La responsabilidad de AquaPRO® Systems no excederá la reparación o cambio de piezas defectuosas bajo esta Garantía limitada. Esta Garantía limitada tampoco incluye llamadas innecesarias por servicios debido a informes de funcionamiento erróneos, posiciones de válvulas externas o servicio eléctrico. Si se realiza una llamada que no esté cubierta por esta garantía y el propietario de la casa se niega a pagar la llamada de servicio, se anulará esta Garantía limitada. Esta Garantía limitada se anulará si el producto es reparado o modificado por cualquier persona o agencia que no sean aquellas autorizadas por AquaPRO® Systems. Esta Garantía limitada se aplica únicamente dentro de los EE.UU. continentales. Por garantía fuera de los EE.UU. continentales, póngase en contacto con AquaPRO® Systems.

Usted **DEBE** conservar su recibo de compra junto con este formulario. En caso de que necesite hacer ejercicio de un reclamo dentro de la garantía, **DEBERÁ** presentar una **copia** del recibo de compra en el momento del servicio. Sírvase llamar a AquaPRO® Systems al 1-877-278-2797 para solicitar servicio o una autorización de devolución e instrucciones.

NO ENVÍE ESTE FORMULARIO POR CORREO A AquaPRO® SYSTEMS. Utilice este formulario para mantener un registro.

N° DE MODELO _____ N° DE SERIE _____ FECHA DE INSTALACIÓN _____

**SWIMMING POOL PUMP
FOR POOLS AND SPAS****BOMBAS PARA
PISCINAS Y TINAS DE
HIDROMASAJE**

OWNER'S MANUAL

• MANUAL DEL USUARIO



NSF

**APB075PRO, APB100PRO, APB150PRO, APB200PRO,
APB300PRO, APB100UPRO, APB150UPRO, APB200UPRO and APB250UPRO**

101 Production Drive, Harrison, OH 45030 877.278.2797 fax 888.610.3839
cs@aquapro systems.com www.aquapro systems.com

Please read and save these instructions. Read carefully before attempting to assemble, install, operate or maintain the product described. Protect yourself and others by observing all safety information. Failure to comply with instructions could result in personal injury and/or property damage! Retain instructions for future reference.

Contents

Description	2
Safety guidelines	2
General safety information	2 - 3
Pool safety guidelines	3
Responsible adult supervision	3
Drains, suction fittings, and jets	3
Electrical hazards	3
Drowning prevention	3
Indoor installations	3
Warning signs	3
Installation	3 - 5
Threaded connections	3
Pump plumbing	3 - 4
Teflon taping instructions	4
Fittings	4
Prior to pressure testing	4
Swimming pool pump suction requirements	4
Outlets per pump	4
Electrical	4 - 5
Voltage	4 - 5
Grounding/bonding	5
Wiring	5
Operation	5
Priming pump	5
Maintenance	5 - 7
Draining pump	5
Storage/winterizing	5
Pump service	6 - 7
Repair	7
Troubleshooting guide	7
Swimming pool pump flow rates	7 - 8
Notes	8 - 9
Parts diagram	10
Replacement parts list	11
Warranty	12

Description

The self priming pool pump is designed for high efficiency, and easy maintenance, with an oversized strainer basket. It is constructed of durable thermoplastic for years of trouble free service. This swimming pool pump is designed for use with permanently installed swimming pools and spas only. Do not use with storable pools.

Unpacking

After unpacking the unit, carefully inspect for any damage that may have occurred during transit. Check for loose, missing or damaged parts.

Safety Guidelines

This manual contains information that is very important to know and understand. This information is provided for SAFETY and to PREVENT EQUIPMENT PROBLEMS. To help recognize this information, observe the following symbols.

⚠ DANGER *Danger indicates an imminently hazardous situation which, if not avoided, will result in death or serious injury.*

⚠ WARNING *Warning indicates a potentially hazardous situation which, if not avoided, could result in death or serious injury.*

⚠ CAUTION *Caution indicates a potentially hazardous situation which, if not avoided, may result in minor or moderate injury.*

NOTICE *Notice indicates important information, that if not followed, may cause damage to equipment.*

NOTE: Information that requires special attention.

General Safety Information

As an AquaPRO® Systems user, you are important to us. Thus, one copy of the Operating Instructions and Parts Manual is included with each pump shipped from our factory. This manual contains important sections relative to user safety, use, maintenance, warranty, etc. It is a good idea to ask for extra copies for other installers/users. Extra copies, free of charge, are available at www.aquapro systems.com.

CALIFORNIA PROPOSITION 65

⚠ WARNING *This product or its power cord may contain chemicals known to the State of California to cause cancer and birth defects or other reproductive harm. Wash hands after handling.*

GENERAL SAFETY

READ AND FOLLOW ALL INSTRUCTIONS

⚠ WARNING *To reduce the risk of injury, do not permit children to use this product unless they are closely supervised at all times.*



Figure 1 - Swimming Pool Pump

⚠ WARNING *Risk of Electric Shock. Connect only to a grounding type receptacle protected by a ground-fault circuit-interrupter (GFCI). Contact a qualified electrician if you cannot verify that the receptacle is protected by a GFCI.*

Do not bury cord. Locate cord to minimize abuse from lawn mowers, hedge trimmers, and other equipment.

⚠ WARNING *To reduce the risk of electric shock, replace damaged cord immediately.*

⚠ CAUTION *This pump is for use with permanently-installed pools and may also be used with hot tubs and spas if so marked. Do not use with storable pools. A permanently-installed pool is constructed in or on the ground or in a building such that it cannot be readily disassembled for storage. A storable pool is constructed so that it is capable of being readily disassembled for storage and reassembled to its original integrity.*

SAVE THESE INSTRUCTIONS.

Do not use pump for any purpose other than pool/spa application. Components have not been designed for other applications. Severe pump failure, may result. Any unapproved use will void warranty.

Always follow basic safety precautions with this equipment, including:

- Provide sufficient ventilation to maintain air temperature below the maximum ambient temperature rating shown on the motor nameplate. Any enclosure

Lista de Repuestos

No. de Ref.	Descripción	Número del RepuestoCtd.	
1	Tornillo para metales de 3/8-16 x 1.00 UNC 2A	4383	4
2	Tornillo de la base	4951	2
3	Tornillo para metales de 10-32 x 1/2 UNC 2A	08831	3
4	Tornillo para metales de 1/4-20 x 1 UNC 2A izquierdo	14052	1
5	Anillo en O del difusor	19014-001	1
6	Anillo en O del cesto de filtrado	19084-001	1
7	Anillo en O de la caja	19087-002	1
8a	Sello estacionario	21212-001	1
8b	Ensamble de tubo flexible	21212-002	1
9	Tapón de drenaje	14421	2
10	Cesto del filtro	28570-001	1
11	Caja de la bomba	28571-002	1
12	Placa de sellado	28572-001	1
13	Base de la bomba para piscina	28573-001	1
14	Anillo de bloqueo	29595-001	1
15	Cubierta del cesto transparente	29596-001	1
16a	Impulsor de 3/4 HP (APB075PRO, APB100UPRO)	29860-001	1
16b	Impulsor de 1 HP (APB100PRO, APB150UPRO)	29859-001	1
16c	Impulsor de 1-1/2 HP (APB150PRO, APB200UPRO)	29861-001	1
16d	Impulsor de 2 HP (APB200PRO, APB250UPRO)	29862-001	1
16e	Impulsor de 3 HP (APB300PRO)	29858-001	1
17a	Difusor de 5 paletas (APB075PRO y APB100UPRO)	29864-001	1
17b	Difusor de 7 paletas (APB100PRO, APB150PRO, APB200PRO, APB150UPRO, APB200UPRO, APB250UPRO)	29863-001	1
17c	Difusor de 3 HP (APB300PRO)	29863-002	1
18a	Motor de 3/4 HP (APB075PRO, APB100UPRO)	32166-001	1
18b	Motor de 1 HP (APB100PRO, APB150UPRO)	32165-001	1
18c	Motor de 1-1/2 HP (APB150PRO, APB200UPRO)	32164-001	1
18d	Motor de 2 HP (APB200PRO, APB250UPRO)	32163-001	1
18e	Motor de 3 HP (APB300PRO)	32162-001	1
19	Anillo de desgaste de flotación	46066-001	1
20	Perilla	67121-001	6
21	Pernos de cuello acanalado	67122-001	6
22	Anillo deflector	(Incluye con Motor, piezas 18a-e)	1
JUEGOS DE REPUESTOS			
Juego de sellado		69013-001	(Piezas 6 & 7)
Kit del motor			
3/4 HP (APB075PRO, APB100UPRO)		69014-001	(Piezas 7, 8 & 18a)
1 HP (APB100PRO, APB150UPRO)		69015-001	(Piezas 7, 8 & 18b)
1-1/2 HP (APB150PRO, APB200UPRO)		69016-001	(Piezas 7, 8 & 18c)
2 HP (APB200PRO, APB250UPRO)		69017-001	(Piezas 7, 8 & 18d)
3 HP (APB300PRO)		69018-001	(Piezas 7, 8 & 18e)
Kit del impulsor			
3/4 HP (APB075PRO, APB100UPRO)		69019-001	(Piezas 4, 7, 16a & 19)
1 HP (APB100PRO, APB150UPRO)		69020-001	(Piezas 4, 7, 16b & 19)
1-1/2 HP (APB150PRO, APB200UPRO)		69021-001	(Piezas 4, 7, 16c & 19)
2 HP (APB200PRO, APB250UPRO)		69022-001	(Piezas 4, 7, 16d & 19)
3 HP (APB300PRO)		69023-001	(Piezas 4, 7, 16e & 19)
Kit del difusor			
3/4 HP (APB075PRO, APB100UPRO)		69025-001	(Piezas 5, 7 & 17a)
1, 1-1/2, 2 HP (APB100PRO, APB150PRO, APB200PRO, APB150UPRO, APB200UPRO, APB250UPRO)		69024-001	(Piezas 5, 7 & 17b)
3 HP (APB300PRO)		69026-001	(Piezas 5, 7 & 17c)
Juegos para extremo de succión			
3/4 HP (APB075PRO, APB100UPRO)		69133-001	(Parts 18a,16a,17a,1,3,4,5,7,8a,8b,12,19,22)
1 HP (APB100PRO, APB150UPRO)		69132-001	(Parts 18b,16b,17b,1,3,4,5,7,8a,8b,12,19,22)
1-1/2 HP (APB150PRO, APB200UPRO)		69131-001	(Parts 18c,16c,17b,1,3,4,5,7,8a,8b,12,19,22)
2 HP (APB200PRO, APB250UPRO)		69130-001	(Parts 18d,16d,17b,1,3,4,5,7,8a,8b,12,19,22)
3 HP (APB300PRO)		69129-001	(Parts 18e,16e,17c,1,3,4,5,7,8a,8b,12,19,22)
Kit de la placa de sellado		69027-001	(Piezas 7, 8 & 12)

REMINDER: Keep your dated proof of purchase for warranty purposes! Attach it to this manual or file it for safekeeping.

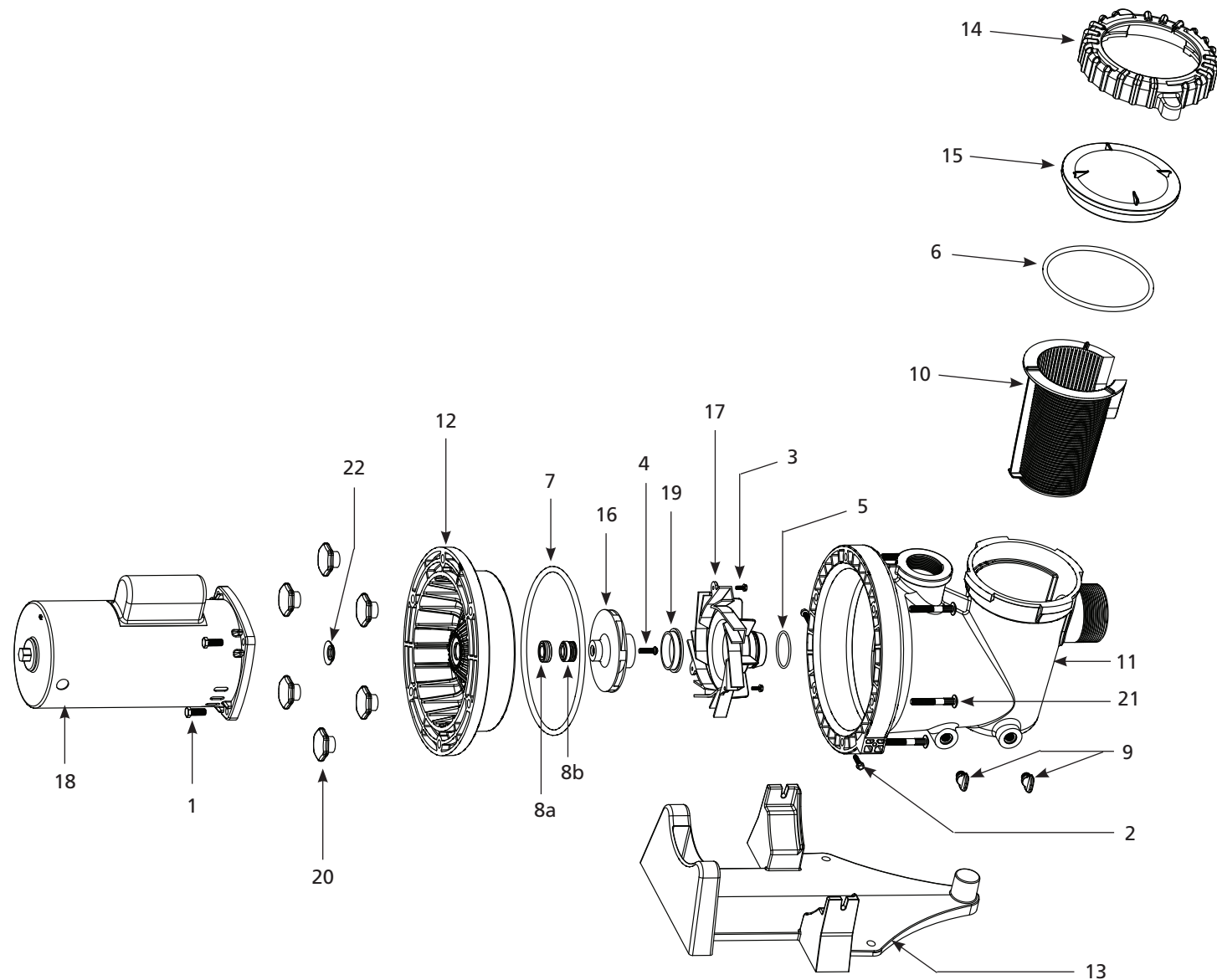
Para Ordenar Repuestos o Asistencia Técnica, Sírvase Llamar al Distribuidor Más Cercano a Su Domicilio

Sírvase darnos la siguiente información:

- Número del modelo
- Número de Serie o código con fecha (de haberlo)
- Descripción y número del repuesto según la lista de repuestos

Dirija toda la correspondencia a:

AquaPRO® Systems
Attn: Customer Service
101 Production Drive
Harrison, OH 45030 U.S.A.



General Safety Information (Cont.)

- or pump house must allow adequate ventilation to assure the ambient temperature remains below the motor rating when the pump is operating.
- Locate pump on a non combustible surface. The surface should be hard, level, dry, well ventilated, out of direct sunlight. The surrounding area should provide protection from the elements and allow sufficient space for maintenance and service. Ensure the drainage will flow away from the pump. To reduce vibration and pipe stress, use anchor bolts to secure pump base to surface. Support the suction and discharge piping.
- Design the piping system to allow the pump suction inlet height to be as close to water level as possible. Mount pump below water level for easy priming. If the pump must be located above the filled water level, keep the vertical distance to a minimum. Use short, direct piping to the suction this will minimize friction loss.

⚠ WARNING *Fire and burn hazard. Motors run at high temperatures. Do not allow leaves, debris, or foreign matter to collect around the pump motor. Keep ventilation holes open. Allow motor to cool before handling. Keep flammable liquids away.*

- If the thermal overload protection in the motor trips or if the GFCI trips determine the reason and correct the problem before re-starting pump.

- Use rigid or flexible PVC pipe. Ensure pipe ends are clean and free of any flash caused by cutting. Use the proper glue for the type of pipe selected.

NOTE: Use a supplier recommended primer to ensure glued joints are secure. Many local codes require primer with a purple tracer to verify primer use.

- Consider climatic conditions when applying adhesives. Atmospheric conditions with high humidity will make the adhesive action of certain glues less effective. Follow the manufacturer's instructions.

Pool Safety Guidelines

RESPONSIBLE ADULT SUPERVISION

Constant and responsible adult supervision is mandatory in the pool or spa environment. Always supervise children around pools and spas. Never allow a child to play in a way that could permit the child's hair to come near the drain cover.

DRAINS, SUCTION FITTINGS, AND JETS

Keep hair and clothing away from the suction fitting drain cover. Wear a bathing cap or pin hair up if you have long hair. Current grates and covers help prevent body or hair entrapment. Make sure that drain covers meet the ANSI/ASME A112.19.8 standard. Safety doors should be installed in all pool cleaner wall suction lines. Pools or spas with drain covers that are broken, missing, or not adequately secured should not be used until the proper replacement has been installed.

ELECTRICAL HAZARDS

A licensed electrician, experienced in swimming pools and spas, should inspect your equipment to make sure everything is properly grounded, bonded, and protected by proper GFCI circuits according to Article 680 of the National Electric Code.

DROWNING PREVENTION

Install and routinely inspect fences, self-closing and latching gates, baby barrier fences, and alarms. Eliminate incidental routes to pool including machinery or equipment that provides a route over fencing into pool area.

INDOOR INSTALLATIONS

Pools and spas located indoors must comply with ANSI/ASHRAE (American Society of Heating, Refrigeration and Air-Conditioning Engineers) standard 62-2001 to ensure adequate ventilation and safe use.

WARNING SIGNS

Protect your family and guests. Make sure that all warning signs provided by the manufacturer, builder, or installer are displayed according to the manufacturer's specifications.

Installation

⚠ DANGER *Shock Hazard! Only qualified, licensed personnel should install pump and wiring.*

⚠ WARNING *A professional trained and familiar with pool pump installation must perform pressure tests.*

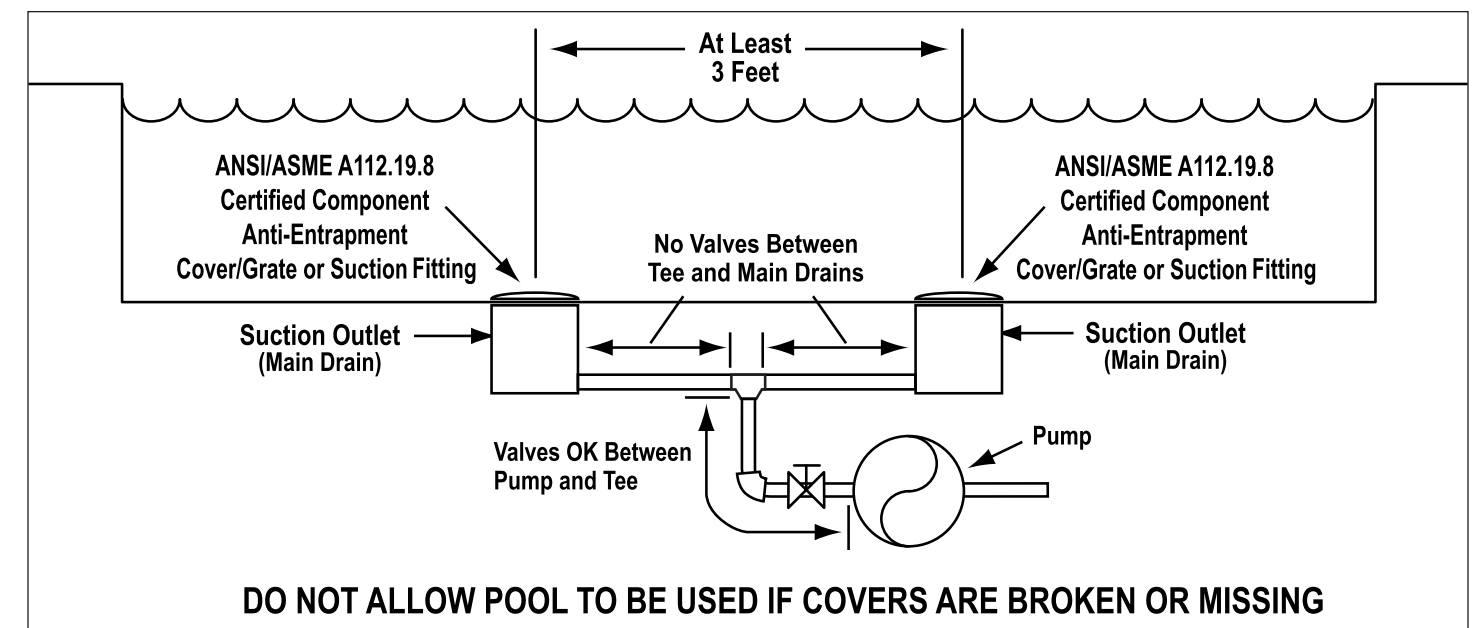


Figure 2

Installation (Cont.)

The pump mount must be located away from corrosive or flammable chemicals.

Do not connect the pump to a municipal water system. The pump is only designed for pool or spa installation. The pump must be installed with at a minimum of 2 main drains equipped with certified anti-entrapment covers that comply with ASME/ANSI A119.19.8 standard (see Figure 2). All air must be removed from piping system before operating or testing equipment (see filter manual).

THREADED CONNECTIONS

Use only Teflon® tape or equivalent on threaded plumbing connections. Other pipe compounds may damage threads. Do not use silicone or petroleum based compounds.

PUMP PLUMBING

Suction pipe should be as large as or larger than discharge pipe. Avoid using a suction pipe smaller than pump connection. The pump is designed to accept either 2 or 3 inch suction piping. Larger diameter pipes reduce noise and improve performance.

1. Keep the piping as straight and short as possible, and of suitable size.
2. Avoid connecting an elbow directly into the pump inlet. A length of straight pipe will allow proper entry of the water to the pump.
3. Slope horizontal runs upward to the pump to prevent trapping air.
4. Use independent piping supports to reduce strain on the pump.
5. Keep as much of the suction line as possible below the water level to reduce priming time.
6. Install valves and unions in the pump suction and return lines to facilitate servicing. Valves are also essential for pump maintenance if the system is installed below pool water level.
7. Keep all valves fully open during operation. Partially closed valves waste energy!

NOTICE Use Teflon tape for making threaded connections to the pump. Do not use pipe dope.

TEFLON TAPING INSTRUCTIONS

Use only new or clean PVC pipe fittings. Wrap male pipe threads with one to two layers of Teflon tape. Cover entire threaded portion. Do not over tighten. If leaks occur, remove pipe, clean off old tape, rewrap with one to two additional layers of tape and remake the connection.

NOTICE Internal - 2 in. NPT are available for direct connection to pipe. The suction line is also designed to accept 3 in. NPT external threaded connection. For best results use the larger diameter suction line.

FITTINGS

Fittings restrict flow; for best efficiency use fewest possible fittings. Avoid fittings which could cause an air trap. Pool fittings must conform to International Association of Plumbing and Mechanical Officials (IAPMO) standards. Use only non-entraping suction fitting or double suction.

PRIOR TO PRESSURE TESTING

- Securely tighten knobs, drain fittings, lid, and system accessories
- Air may collect at the highest point in the plumbing system. Normally an air purge valve is provided with the pool filter. Consult pool filter instruction manual for air purging instructions.
- Basket lid must be rotated and locked into position as indicated in Figure 3.

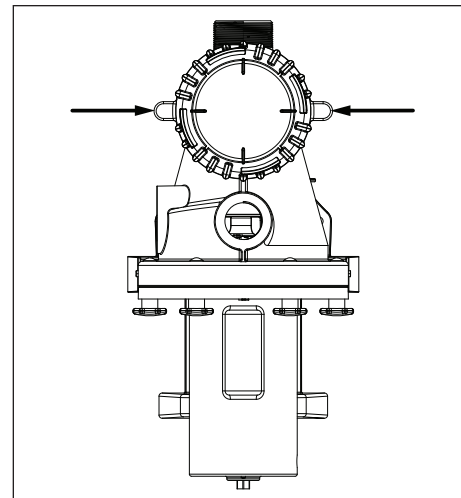


Figure 3 - Clamp rings

- Test system at a water pressure of 25 psi or less
- Water Temperature for test must be less than 100° F
- After 24 hours visually check system for leaks.

POOL PUMP SUCTION REQUIREMENTS

⚠ DANGER Pump suction is hazardous and can trap, drown or disembowel bathers. Do not use or operate swimming pools or spas if a suction outlet cover is missing, broken, or loose. Follow the guidelines below for a pump installation which minimizes risk to users of pools and spas.

⚠ DANGER Ground the motor before connecting to electrical power supply. Failure to ground the motor may cause severe or fatal electrical shock hazard.

ENTRAPMENT PROTECTION

The pump suction must be designed to eliminate the possibility of suction entrapment or hair entrapment/entanglement.

SUCTION COVERS

All suction inlet covers must be maintained and replaced if cracked, broken, or missing. See Figure 2 for outlet cover certification requirements.

TESTING AND CERTIFICATION

All suction inlet covers must comply with ASME/ANSI A112.19.8 specifications for suction fittings for use in swimming pools, spas and whirlpool bathtub applications. The product must be tested for compliance with the standards and the certification must be included with the components.

Single or Multiple Pump Circulation Systems must be provided with a minimum of 2 (two) suction inlets of the approved type.

Do not install multiple pumps in one hydraulic circuit. The pump is not designed to accept output flow from another pump. Do not allow water to back flow through the pump. Water flowing in the discharge and out the suction during an upset condition can cause the motor to rotate backwards. Never attempt to start pump if shaft is rotating due to a hydraulic turbine action, this could cause pump to operate in reverse and damage internal components.

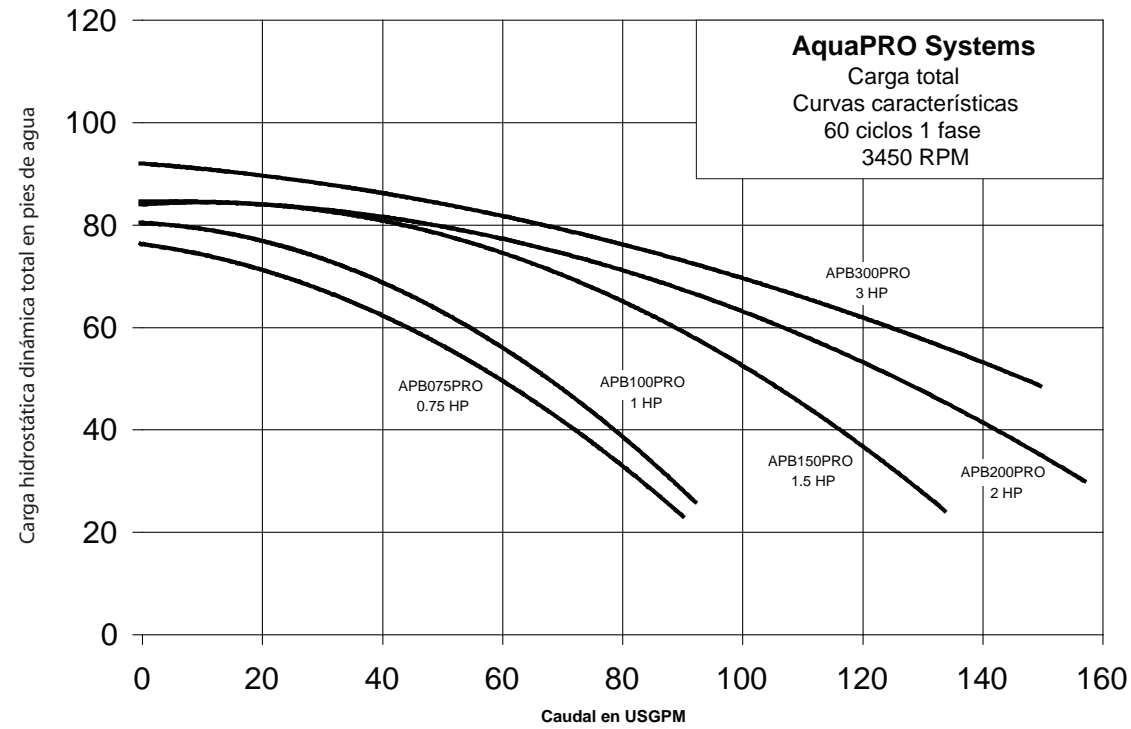
⚠ DANGER Any pool or spa should immediately be closed if the cover or grate is damaged or missing.

OUTLETS PER PUMP

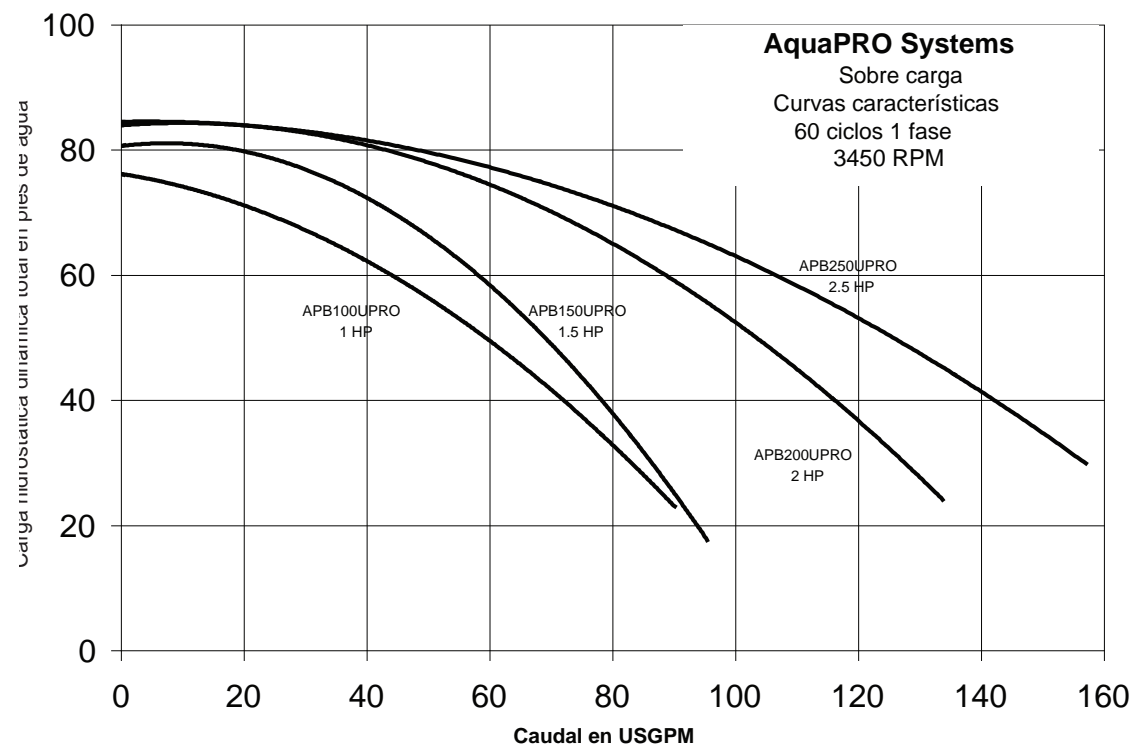
Provide at least two hydraulically balanced main drains, with covers for each swimming pool pump suction line. The centers of the main drains suction fitting must be at least three feet apart (see Figure 2). The system must be built so that it cannot operate with the pump drawing water from only one main drain. Two main drains must be connected to the pump whenever it is running. If two main drains run into a single suction line, the single suction line can be equipped with a single valve that shuts off both main drains from the pump. **A valve in each suction line is not allowed.**

Notas

Caudales de la bomba para piscinas



Caudales de la bomba para piscinas



Electrical

A Ground Fault Circuit Interrupter (GFCI) is required in the circuit. For size of GFCI required and test procedures for GFCI, see manufacturer's instructions.

- Never ground to a gas supply line.
- To avoid dangerous or fatal electrical shock: turn OFF, disconnect the power at its source, lock out power to motor, and place a tag on the dedicated GFCI circuit breaker indicating the power is to remain OFF before working on electrical connections.

Ground Fault Circuit Interrupter (GFCI) tripping indicates an electrical problem. If GFCI trips, determine the reason for tripping. If you are uncertain, have a qualified electrician inspect and repair the electrical system.

Verify supply voltage matches the nameplate voltage. Incorrect voltage can cause fire or seriously damage motor and voids warranty.

VOLTAGE

Voltage at motor must be within 10% of the motor nameplate rated voltage or motor may overheat, causing overload tripping and reduced component life. Verify voltage is correct before applying power. If voltage does not fall within the specified range during operation consult the power company.

The pumps are shipped with motors wired for 208-230 volt operation. The 3/4, 1 and 1-1/2 HP models are equipped with a voltage change device for 115/208-230 operation. Refer to the motor nameplate for 115 Volt hook-up.

GROUNDING/BONDING

Install, ground, bond and wire motor according to local or National Electrical Code requirements. Permanently ground the motor. Use ground terminal provided in the terminal box on the back of the motor. Use size and type wire required by local codes. Connect motor ground terminal to electrical service ground.

Bond motor to pool structure. Use a solid copper conductor, size No. 8 AWG or larger. Run wire from external bonding lug to reinforcing rod or mesh.

Use solid copper bonding conductor not smaller than 8 AWG (8.4 mm²) from the accessible wire connector on the motor to all metal parts of the swimming pool or spa structure and to all electrical equipment, metal conduit, and metal piping within 5 feet (1-1/2 m) of the inside walls of the swimming pool or spa.

WIRING

Follow all national and local wiring codes. If unsure of code requirements consult a professional electrician. Pump must be permanently connected to a dedicated circuit. If unsure consult a licensed electrician.

NOTE: All electrical wiring and components must be selected and installed in conformance with the latest NEC requirements and local codes. If you are unsure about the requirements consult a licensed electrician familiar with the requirements.

Operation

Do not run pump dry. Fill pump with water before starting motor.

Before removing trap cover:

1. CLOSE GATE VALVES in suction and discharge pipes
2. RELEASE ALL PRESSURE from pump and piping system

If pump is being pressure tested, be sure pressure has been released before removing trap cover.

Do not block pump suction. To do so with body may cause severe or fatal injury. Small children using pool must ALWAYS have close adult supervision.

⚠ WARNING Fire and burn hazard. Motor runs at high temperatures, to reduce the risk of fire, do not allow debris, or foreign matter to collect around the pump motor. Allow motor to cool prior to handling or performing maintenance.

The motor is equipped with an internal thermal protection circuit to guard against overheating. The maximum ambient temperature for motor operation must not exceed rating on motor model plate.

PRIMING PUMP
Release all pressure from filter, pump, and piping system; see the filter owner's manual. In a flooded suction system (water source higher than pump), pump will prime automatically when suction and discharge valves are opened. If pump is located above the normal pool water level remove ring and cover assembly and slowly fill basket and pump with water. Clean and inspect o-ring; reinstall on trap. Replace ring and cover assembly rotate clockwise to tighten cover (see Figure 3).

Clamp ring must engage with pump body. Push down and rotate until internal stops are felt. Properly aligned tabs shown above in Figure 3, assure lid is securely clamped.

Failure to tighten clamp ring as indicated will reduce product strength, resulting in failure of components, and bodily injury.

NOTICE Pump prime time will depend on vertical distance and length of suction line. If pump does not prime, make sure that all valves are open, suction pipe is submerged. Verify there are no leaks in suction lines. See Troubleshooting Guide for further assistance.

Maintenance

All AquaPRO® Systems pumps are shipped from the factory with DANGER and/or WARNING labels already on the pump. These labels contain a series of basic, yet extremely important safety messages for the user and bystander. Regardless of how well these labels are attached or how scratch resistant or wear-resistant they may be, it is possible that, in time, the wording may become illegible with normal use. Whenever you are repairing the pump, performing routine maintenance, or have the opportunity to inspect the pump, make sure the label is readable. If the label is not legible, replace the label with an adhesive version that is available at no charge by calling AquaPRO® Systems at 1-877-278-2797.

Use only parts supplied by manufacturer. Similar looking parts may not have sufficient strength for safe operation.

The only routine maintenance needed is inspection/cleaning of strainer basket. Debris or trash that collects in basket will choke off water flow through the pump.

Before attempting to clean basket:

- A. Stop pump, disconnect power at its source, lock out power, place tag on the dedicated GFCI circuit breaker indicating the power is to remain OFF, close valves in suction and discharge, and release pressure from system.

⚠ DANGER Hazardous suction can trap hair or body parts, causing severe injury or death. Do not block suction.

- B. Remove ring and cover assembly by turning counterclockwise. If necessary, tap handles gently with a rubber mallet.
- C. Remove basket and clean. Inspect holes in basket for blockage. Clean basket with water and replace in basket housing. Verify basket is oriented correctly in housing.
- D. Clean and inspect lid o-ring; reinstall ring and cover assembly.
- E. Prime pump (see priming instructions).

Maintenance (Cont.)

DRAINING PUMP

⚠ DANGER *To avoid dangerous or fatal electrical shock hazard, turn OFF power to motor before draining pump. Disconnect power at its source, lock out the power, and place a tag on the dedicated GFCI circuit breaker indicating the power is to remain off.*

- Close suction discharge valves to isolate pump.
- Drain the basket housing and pump housing through the drain plugs.
- Be sure motor is kept dry and covered.

STORAGE/WINTERIZING

⚠ DANGER *Explosion hazard. Purging the system with compressed air can cause components to explode, with risk of severe injury or death to anyone nearby. Use only a low pressure (below 5 psi), high volume blower for purging the pump, filter, or piping.*

NOTICE *Allowing pump to freeze will damage pump and void warranty!*

NOTICE *Use only non-toxic anti-freeze. Do not use automotive antifreeze. It is highly toxic and may damage plastic components in the system.*

PUMP SERVICE

If the pump mechanical seal (reference numbers 8a and 8b on page 9) starts leaking replace it immediately to avoid damage to motor or other components. Pump should only be serviced by qualified personnel. Use only AquaPRO® Systems factory parts.

BEFORE REMOVING CLAMP ON BASKET HOUSING:

- STOP PUMP ELECTRICALLY: Disconnect the power at its source, lock out the power, and place a tag on the dedicated GFCI circuit breaker indicating the power is to remain OFF.
- CLOSE GATE VALVES in suction and discharge pipes.
- RELEASE ALL PRESSURE from pump and piping system. Refer to the filter manual for method.
- NEVER tighten or loosen clamp while pump is operating!

⚠ DANGER *To avoid dangerous or fatal electrical shock hazard, turn OFF and lock out power to motor before working on pump or motor.*

REPAIR

DISASSEMBLY

- Disconnect power at its source, lock out the power, and place a tag on the dedicated GFCI circuit breaker indicating the power is to remain OFF.
- Drain pump by removing drain plugs on bottom of pump body and basket body.
- Disconnect electrical connections at motor.
- Remove six knobs holding seal plate to pump body.
- Slide motor/seal plate assembly out of the back of the pump.
- Remove three screws holding diffuser to seal plate.
- Remove motor shaft cover on rear of motor (see Figure 4). Use a wrench or a large screw driver to stop motor shaft rotation.



Figure 4

- Remove screw from center of impeller. The threads are reversed. Turn clockwise to loosen screw (Figure 5).

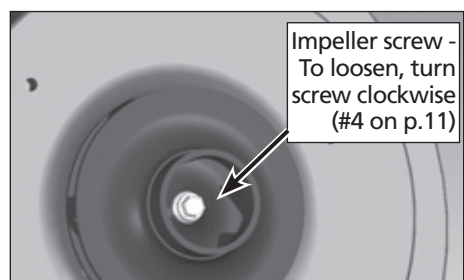


Figure 5

- Then grasp impeller and rotate counter-clockwise to remove impeller from shaft.
- Pull mechanical seal rotating assembly from motor shaft.

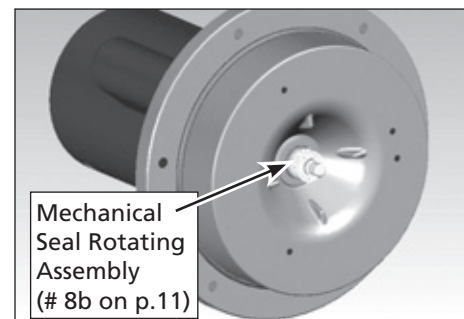


Figure 6

- With a screw driver carefully pry old stationary seat from seal plate (see Figure 7). DO NOT SCRATCH SEAL BORE.

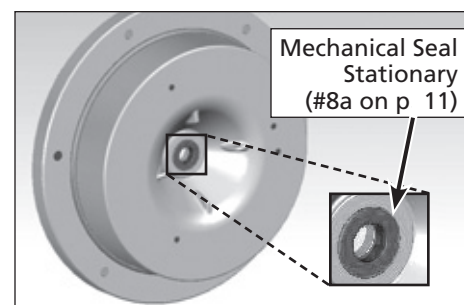


Figure 7

- If shaft is corroded or dirty motor will need to be removed from seal plate so that the shaft can be effectively cleaned.
- If necessary use a 9/16 socket with a 6 inch extension to remove four screws holding motor to seal plate. If seal has been leaking for a long time the motor bearing may be compromised, if excessive corrosion or shaft end play can be detected motor will need to be replaced.

REASSEMBLY

- Obtain a new mechanical seal rotating assembly and seat (reference numbers 8a and 8b on page 11). Seal parts must be replaced as a set. Do not mix old and new parts. Lubricate seal stationary o-ring with a very small amount of dish soap. Do not allow soap, dirt, grease, or any contaminate on the polished seal face (see Figure 8).

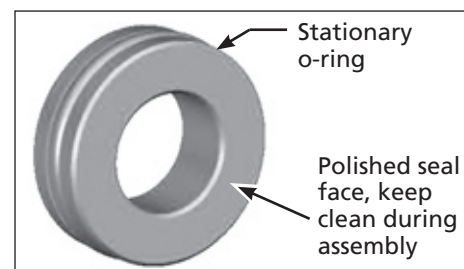


Figure 8

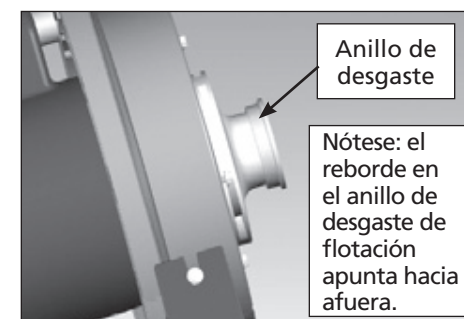


Figura 9

- Reemplace el anillo en O del difusor (referencia de la pieza N° 5 en la página 23) si está dañado. Limpie la ranura del anillo en O antes de instalar un nuevo anillo en O.
- Instale el difusor con 3 tornillos, cubra el anillo en O con una pequeña cantidad de jabón para vajilla para facilitar el ensamblaje dentro del cuerpo de la bomba.
- Cambie el anillo en O de la placa de sellado principal por uno nuevo. Limpie la superficie antes de instalar.
- Deslice el ensamble giratorio de regreso en la caja de la bomba.
- Apriete las seis perillas en un patrón escalonado de modo que todos los tornillos queden apretados uniformemente.
- Ahora la bomba está lista para volver a funcionar.

⚠ PELIGRO *El voltaje puede provocar choques, quemaduras o causar la muerte. Desconecte la corriente antes de trabajar en la bomba o motor. Desconecte la energía desde su fuente; bloquee el suministro de energía al motor, y coloque una etiqueta en el disyuntor GFCI dedicado, que indique que la energía debe permanecer apagada (OFF).*

Diagnóstico y Resolución de Problemas

¡Lea y entienda las instrucciones de seguridad y funcionamiento en este manual antes de realizar cualquier trabajo sobre la bomba! ¡Solo personal calificado debería probar eléctricamente el motor de la bomba!

PÉRDIDAS DE AGUA ALREDEDOR DEL MOTOR

Una pérdida de agua en el área del motor o la conexión de la bomba indica un fallo del sello mecánico y un peligro de choque. Retire la bomba de servicio y cambie de inmediato el sello para evitar daños a otros componentes y reducir el riesgo de choque eléctrico. Refiérase a la sección de Mantenimiento de la bomba.

LA BOMBA NO FUNCIONA: PRESIÓN DE DESCARGA O CAPACIDAD REDUCIDA

PÉRDIDAS DE SUCCIÓN/CEBADO:

- La bomba debe cebarse; asegúrese de que el cuerpo de la bomba y el cesto estén llenos de agua. Consulte las instrucciones de cebado.
- Asegúrese de que no haya pérdidas en las tuberías de succión.
- Asegúrese de que la entrada de succión esté bien por debajo del nivel del agua para evitar que la bomba succione aire.
- Baje la bomba (verticalmente) más cerca de la fuente de agua o instale una válvula de retención en la línea de succión.

TUBERÍA/COLECTOR/IMPULSOR

OBSTRUIDOS, IMPULSOR DESGASTADO:

- Asegúrese de que el colector de succión no esté obstruido; si lo está, limpie el colector y el filtro. Consulte la sección de Mantenimiento.
- Asegúrese de que el impulsor no esté obstruido (siga los pasos 1 al 7 en "DESENSAMBLAJE", página 17; verifique si el impulsor está obstruido; siga los pasos 7 al 10 en "REENSAMBLAJE", página 17 - 18, para el reensamblaje).

- El impulsor y el difusor pueden estar desgastados. Si lo están, pida piezas de repuesto de la "Lista de piezas de repuesto", en las páginas 22 y 23.
- La bomba puede estar intentando empujar una columna de agua demasiado alta. Si es así, se necesita una bomba con una mayor carga hidrostática. Llame a AquaPRO® Systems al 1-877-278-2797.

ELÉCTRICO:

- La bomba puede estar funcionando demasiado lento; verifique el voltaje en los terminales del motor y en el medidor mientras la bomba está funcionando. Si está bajo, vea las instrucciones de cableado o consulte con la compañía de electricidad. Compruebe que no haya conexiones flojas.
- La bomba puede estar demasiado caliente.
 - Revise el voltaje de la línea; si es menor al 90% o mayor del 110% del voltaje nominal consulte a un electricista licenciado.
 - Aumente la ventilación.
 - Reduzca la temperatura ambiente.
 - Apriete todas las conexiones flojas.

RUIDO Y PROBLEMAS MECÁNICOS

- Si las tuberías de succión y descarga no están adecuadamente apoyadas, el ensamble de la bomba estará bajo tensiones. Consulte la "Instalación", páginas 14 -15.
- ¡No instale la bomba sobre una plataforma de madera! Instálela con seguridad sobre una plataforma de hormigón para un funcionamiento silencioso. Use los orificios de anclaje que se proporcionan en la base de la bomba.

Mantenimiento (Continuación)

manual del filtro para ver el método.

- ¡NUNCA apriete ni afloje la abrazadera mientras la bomba está funcionando!

⚠ PELIGRO Para evitar el riesgo de choques eléctricos peligrosos o mortales, APAGUE y bloquee la corriente que va hacia el motor antes de trabajar en la bomba o en el motor.

REPARACIÓN

DESENSAMBLAJE

1. Desconecte la energía desde su fuente; bloquee el suministro de energía al motor, y coloque una etiqueta en el disyuntor GFCI dedicado, que indique que la energía debe permanecer apagada (OFF).
2. Drene la bomba quitando los tapones de drenaje en la parte inferior del cuerpo de la bomba y del cuerpo del cesto.
3. Desconecte las conexiones eléctricas al motor.
4. Quite las seis perillas que sostienen la placa de sellado al cuerpo de la bomba.
5. Deslice hacia afuera de la parte trasera de la bomba el ensamble de la placa de sellado/motor.
6. Quite los tres tornillos que sostienen el difusor a la placa de sellado.
7. Quite la cubierta del eje del motor en la parte trasera del motor (vea Figura 4).



Figura 4

8. Quite los tornillos del centro del impulsor. Las roscas son inversas. Gire hacia la derecha para aflojar el tornillo (vea Figura 5).

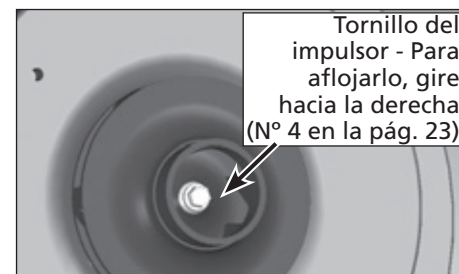


Figura 5

9. Luego tome el impulsor y gírelo hacia la izquierda para quitar el impulsor del eje.
10. Tire del ensamble giratorio del sello mecánico del eje del motor.

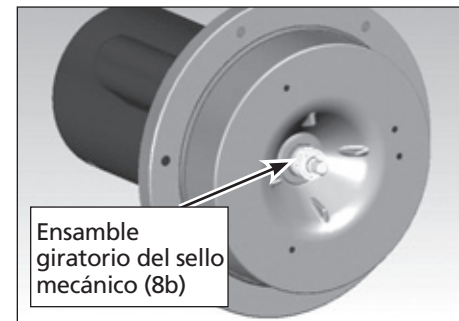


Figura 6

11. Con un destornillador haga palanca con cuidado en el asiento estacionario antiguo de la placa de sellado (vea Figura 7). NO RAYE EL DIÁMETRO INTERNO DEL SELLO.

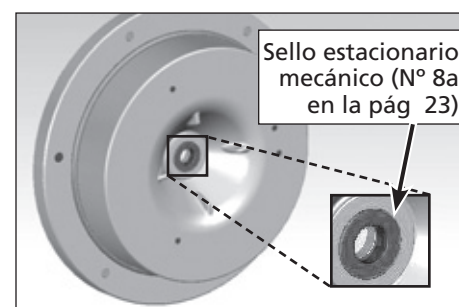


Figura 7

12. Si el eje está corroído o el motor está sucio deberá quitarse de la placa de sellado de modo que el eje se pueda limpiar eficazmente.
13. Si fuera necesario use una llave de cubo de 9/16 con una extensión de 6 pulg. para quitar los cuatro tornillos que sostienen el motor a la placa de sellado. Si el sello ha estado perdiendo durante mucho

tiempo el cojinete del motor puede estar comprometido, si hay excesiva corrosión o se puede detectar juego en el extremo del eje, el motor deberá ser reemplazado.

REENSAMBLAJE

1. Obtenga un nuevo asiento y ensamble giratorio de sello mecánico (números de referencia 8a y 8b en la página 23). Las piezas de sellado se deben reemplazar como juego. No mezcle piezas viejas con nuevas. Lubrique el anillo en O del sello estacionario del eje con una pequeña cantidad de jabón para vajilla. No permita que el jabón, suciedad, grasa ni nada entre en contacto con el lado de sellado pulido (vea Figura 8).

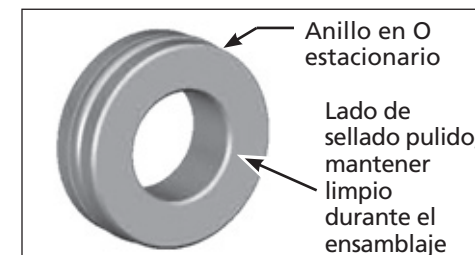


Figura 8

Limpie el diámetro interno del sello, luego presione el sello estacionario dentro del diámetro interno. Cubra el lado de sellado con un cartón u otro material adecuado para evitar tocar el lado de sellado pulido. Verifique si el sello está totalmente apoyado en la parte inferior del diámetro interno.

2. Vuelva a instalar el motor si lo quitó, lubrique el eje limpio del motor con una pequeña cantidad de jabón para vajilla. Deslice el nuevo ensamble del sello giratorio en el eje del motor hasta que esté parejo con el soporte del eje. El lado de carbono pulido debe coincidir con el lado estacionario pulido. Asegúrese de que el sello esté adecuadamente apoyado en la caja.
3. Atornille el impulsor sobre el eje del motor.
4. Instale el anillo de desgaste de flotación sobre el impulsor. Tenga cuidado de instalar con el reborde hacia afuera (vea Figura 9).

Maintenance (Cont.)

Clean bore for seal, then press seal stationary into bore. Cover seal face with cardboard or other suitable material to avoid touching polished seal face. Verify seal is fully seated in the bottom of the bore.

2. Reinstall motor if removed, lubricate clean motor shaft with a small amount of dish soap. Slide the new rotating seal assembly on to the motor shaft until it is even with the shaft shoulder. Polished carbon face must mate with polished stationary face. Make certain seal is properly seated in housing.
3. Screw impeller on to motor shaft. Install left handed retaining screw and washer.
4. Install floating wear ring on impeller. Be careful to install with flange pointing out (see Figure 9).

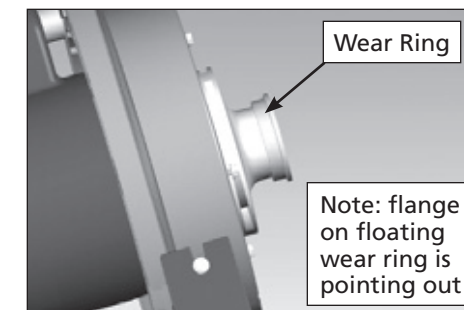


Figura 9

5. Replace diffuser o-ring (reference part #5 on page 11) if it is damaged. Clean o-ring groove before installing a new o-ring.
6. Install diffuser with 3 screws, coat o-ring with a small amount of dish soap to make assembly into pump body easier.
7. Replace main seal plate o-ring with a new one. Clean the surface before installing.
8. Slide rotating assembly back into pump housing.
9. Tighten six knobs in a staggered pattern so all screws are tightened evenly.
10. Pump is now ready to return to service.

⚠ DANGER Voltage can shock, burn, or cause death. Disconnect power before working on pump or motor. Disconnect power at its

source, lock out the power, and place a tag on the dedicated GFCI circuit breaker indicating the power is to remain off.

Troubleshooting Guide

Read and understand safety and operating instructions in this manual before doing any work on pump! Only qualified personnel should electrically test pump motor!

WATER LEAKING AROUND MOTOR:

A water leak in the area of the motor to pump connection indicates a mechanical seal failure and a shock hazard. Take pump out of service and replace seal immediately to avoid damage to other components and to reduce risk of electric shock. Refer to pump maintenance section.

FAILURE TO PUMP: REDUCED CAPACITY OR DISCHARGE PRESSURE

SUCTION LEAKS/LOST PRIME:

1. Pump must be primed; make sure that pump body and basket body are full of water. See priming instructions.
2. Make sure there are no leaks in suction piping.
3. Make sure suction inlet is well below the water level to prevent pump from sucking air.
4. Lower pump closer (vertically) to water source or install check valve in suction line.

CLOGGED PIPE/TRAP/IMPELLER, WORN IMPELLER:

5. Make sure suction trap is not clogged; if it is, clean trap and strainer. See Maintenance section.
6. Make sure impeller is not clogged (follow steps 1 through 7 under "DISASSEMBLY", Page 6; check impeller for clogging; follow steps 7 through 10 under "REASSEMBLY", Pages 6 - 7, for reassembly).

7. Impeller and diffuser may be worn. If so, order replacement parts from "Repair Parts List", on pages 10 and 11.
8. Pump may be trying to push too high a column of water. If so, a "higher head" pump is needed. Call AquaPRO® Systems 1-877-278-2797.

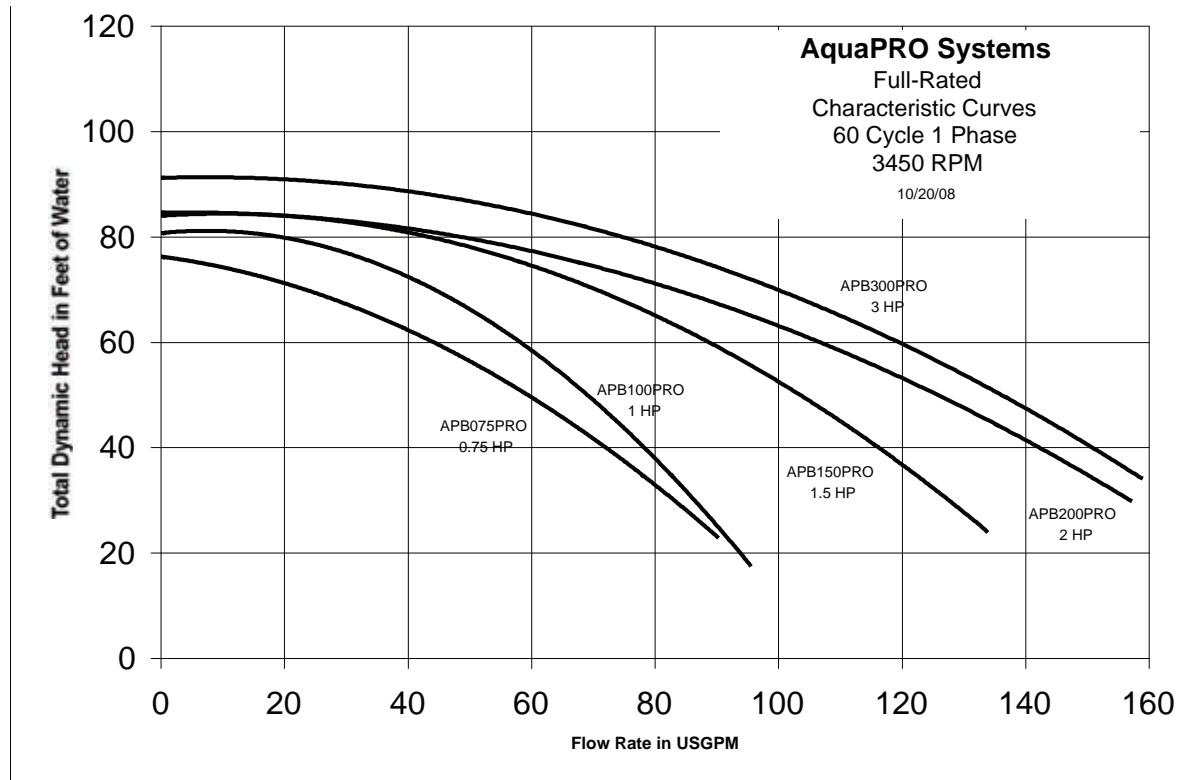
ELECTRICAL:

9. Pump may be running too slowly; check voltage at motor terminals and at meter while pump is running. If low, see wiring instructions or consult power company. Check for loose connections.
10. Pump may be too hot.
 - A. Check line voltage; if less than 90% or more than 110% of rated voltage consult a licensed electrician.
 - B. Increase ventilation.
 - C. Reduce ambient temperature.
 - D. Tighten any loose connections.

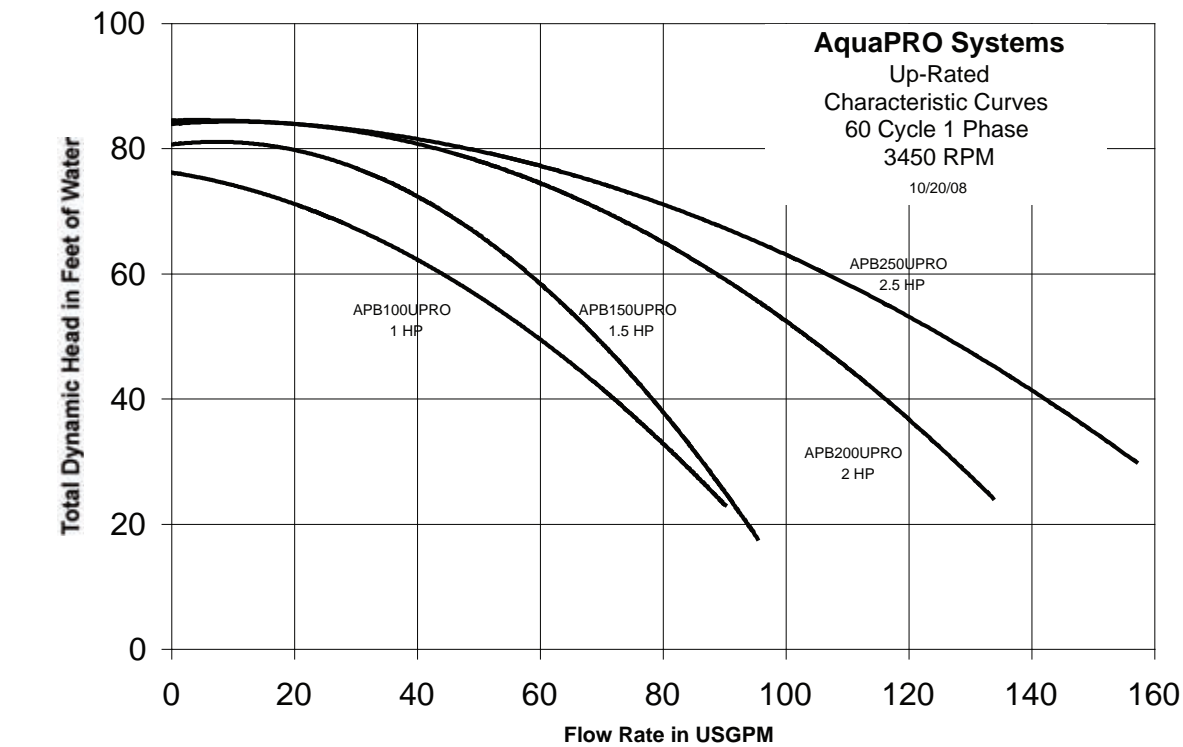
MECHANICAL TROUBLES AND NOISE

1. If suction and discharge piping are not adequately supported, pump assembly will be strained. See "Installation", Page 3 - 4.
2. Do not mount pump on a wooden platform! Securely mount on concrete platform for quietest performance. Use anchor holes provided in pump base.

Swimming Pool Pump Flow Rates



Swimming Pool Pump Flow Rates



Funcionamiento (Continuación)

⚠ ADVERTENCIA *Riesgo de incendio y quemaduras. El motor funciona a altas temperaturas, para reducir el riesgo de incendios, no permita que se acumulen restos o materia extraña alrededor del motor de la bomba. Deje que el motor se enfríe antes de manipularlo o realizar el mantenimiento.*

El motor está equipado con un circuito de protección térmica interno para protegerlo de sobrecalentamiento. La máxima temperatura ambiente para el funcionamiento del motor no debe superar la clasificación indicada en la placa del modelo del motor.

CEBADO DE LA BOMBA

Libere toda la presión del filtro, la bomba y el sistema de tuberías, consulte el manual del propietario del filtro. En un sistema de succión inundado (fuente de agua a una altura mayor que la de la bomba), la bomba se cebará automáticamente cuando se abran las válvulas de succión y descarga. Si la bomba está ubicada por encima del nivel de agua normal de la piscina quite el ensamble del anillo y cubierta y llene lentamente el cesto y la bomba con agua. Limpie e inspeccione el anillo en O; vuelva a instalarlo en el colector. Vuelva a colocar el ensamble del anillo y la cubierta y gírelo hacia la derecha para apretar la cubierta (vea Figura 3).

El anillo de sujeción debe estar trabado con el cuerpo de la bomba. Presione hacia abajo y gire hasta que se sientan los topes internos. Las lengüetas alineadas correctamente como se muestran en la Figura 3, aseguran que la tapa está sujeta con seguridad. Si no se aprieta el anillo de sujeción como se indica se reducirá la resistencia del producto, dando como resultado una falla de los componentes y lesiones corporales.

AVISO *El tiempo de cebado de la bomba dependerá de la distancia vertical y el largo de la línea de succión. Si la bomba no se ceba, asegúrese de que todas las válvulas estén abiertas y de que la tubería de succión esté sumergida. Verifique que no haya pérdidas en las líneas de succión. Consulte la Guía de diagnóstico de problemas para obtener más ayuda.*

Mantenimiento

Todas las bombas AquaPRO® Systems se envían de fábrica con las etiquetas de PELIGRO y/o ADVERTENCIA ya instaladas en la bomba. Estas etiquetas contienen una serie de mensajes de seguridad básicos pero sumamente importantes para el usuario y las personas cercanas. Sin importar lo bien que estén adheridas estas etiquetas o lo resistentes que sean a los rayones o al desgaste, es posible que con el tiempo, el texto se vuelva ilegible con el uso normal. Cada vez que repare la bomba, realice el mantenimiento de rutina o tenga la oportunidad de inspeccionar la bomba, asegúrese de que la etiqueta esté legible. Si la etiqueta no está legible, reemplácela con una versión adhesiva que está disponible sin cargo llamando a AquaPRO® Systems al 1-877-278-2797.

Use únicamente piezas proporcionadas por el fabricante. Las piezas que se vean similares pueden no tener la resistencia suficiente para un funcionamiento seguro.

El único mantenimiento de rutina necesario es la inspección/limpieza del cesto de filtrado. Los restos o desechos que se acumulan en el cesto ahogarán el flujo de agua a través de la bomba.

Antes de intentar limpiar el cesto:

- Apague la bomba, desconecte la energía desde su fuente, bloquee el suministro de energía, coloque una etiqueta en el disyuntor GFCI dedicado que indique que la energía debe permanecer APAGADA (OFF); cierre las válvulas de succión y descarga, y descargue la presión del sistema.

⚠ PELIGRO *Una succión peligrosa puede atrapar el cabello o partes del cuerpo, provocando lesiones graves o la muerte. No bloquee la succión.*

- Quite el ensamble del anillo y cubierta girándolo hacia la izquierda. Si fuera necesario, golpee suavemente los mangos con un mazo de goma.
- Retire el cesto y limpie. Inspeccione los orificios del cesto para ver si están obstruidos. Limpie el cesto con agua y vuelva a colocarlo en la caja del cesto. Verifique que el cesto quede orientado correctamente dentro de la caja.
- Limpie e inspeccione el anillo en O de la tapa; vuelva a instalar el ensamble del anillo y cubierta.
- Bebe la bomba (consulte las instrucciones de cebado).

DRENAJE DE LA BOMBA

⚠ PELIGRO *Para evitar riesgos de choque eléctrico peligroso o mortal, APAGUE la corriente al motor antes de drenar la bomba. Desconecte la energía desde su fuente; bloquee el suministro de energía al motor, y coloque una etiqueta en el disyuntor GFCI dedicado, que indique que la energía debe permanecer apagada (OFF).*

- Cierre las válvulas de descarga de succión para aislar la bomba.
- Drene la caja del cesto y la caja de la bomba a través de los tapones de drenaje.
- Asegúrese de que el motor se mantenga seco y cubierto.

ALMACENAMIENTO/ ACONDICIONAMIENTO PARA EL INVIERNO

⚠ PELIGRO *Peligro de explosión. Purgar el sistema con aire comprimido puede hacer explotar los componentes, con el riesgo de que las personas próximas sufran lesiones graves o la muerte. Use únicamente una presión baja (menor a 5 psi), en una sopladora de gran volumen para purgar la bomba, el filtro o la tubería.*

AVISO *¡Dejar que la bomba se congele dañará la bomba y anulará la garantía!*

AVISO *Use únicamente anticongelantes no tóxicos. No utilice anticongelante automotriz. Es altamente tóxico y puede dañar los componentes plásticos del sistema.*

MANTENIMIENTO DE LA BOMBA

Si el sello mecánico de la bomba (números de referencia 8a y 8b en la página 23) comienza a tener pérdidas cámbielo de inmediato para evitar daños al motor o a otros componentes. Los mantenimientos de servicio de la bomba deben ser realizados únicamente por personal calificado. Use sólo piezas de fábrica de AquaPRO® Systems.

ANTES DE QUITAR LA ABRAZADERA DE LA CAJA DEL CESTO:

- APAGUE LA BOMBA ELÉCTRICAMENTE: Desconecte la energía desde su fuente; bloquee el suministro de energía al motor, y coloque una etiqueta en el disyuntor GFCI dedicado, que indique que la energía debe permanecer apagada (OFF).
- CIERRE LAS VÁLVULAS DE COMPUERTA en las tuberías de succión y descarga.
- LIBERE TODA LA PRESIÓN de la bomba y el sistema de tubería. Consulte el

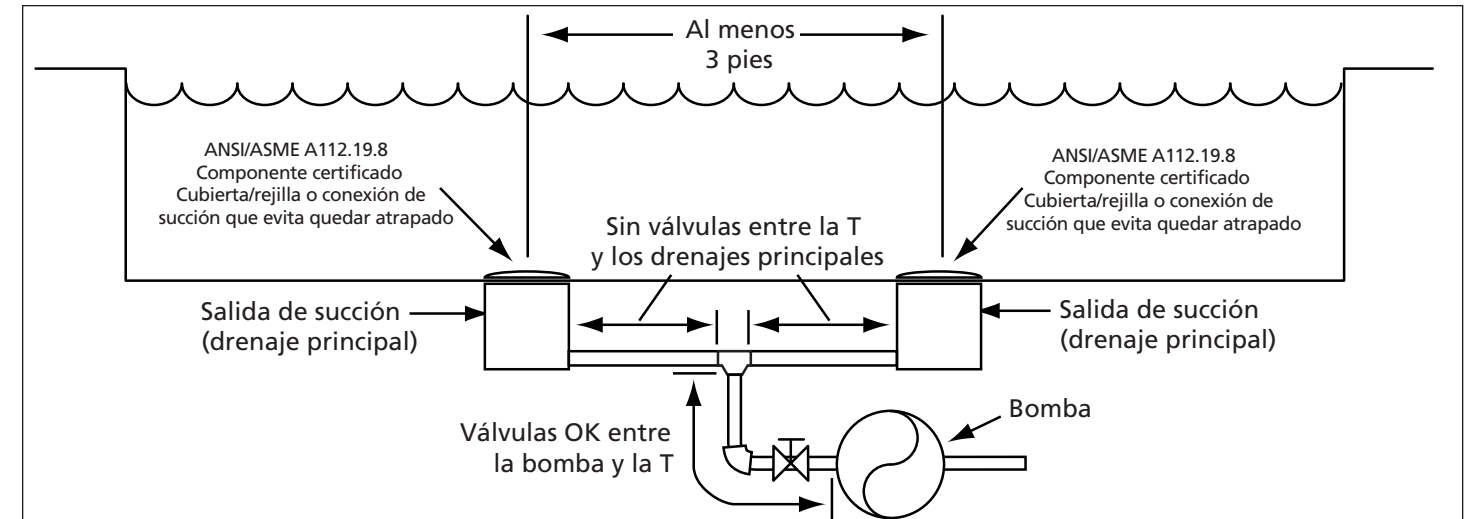
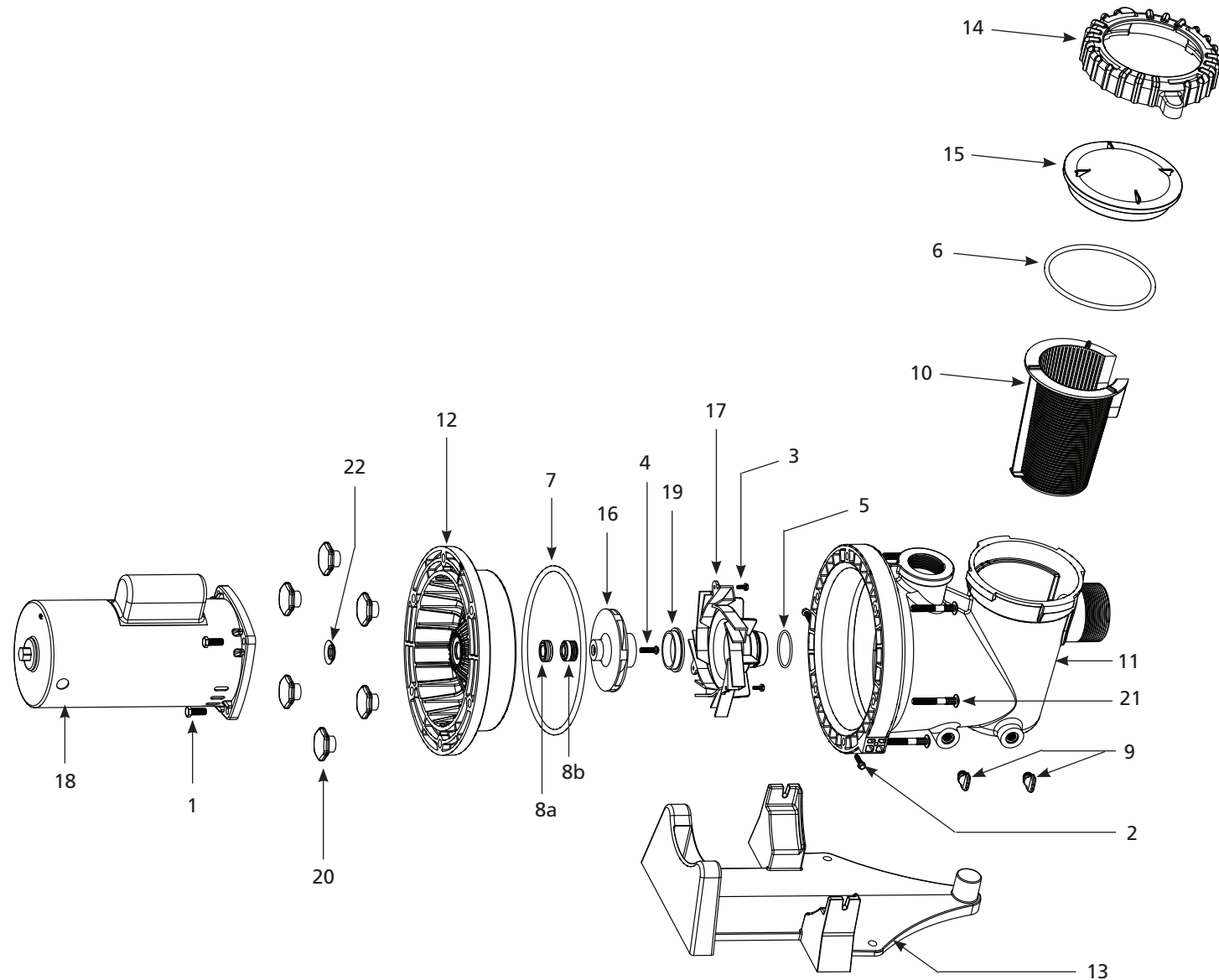
For replacement parts or technical assistance, call 1-877-278-2797

Please provide following information:

- Model number
- Serial number
- Part description and number as shown in parts list

Address parts correspondence to:

AquaPRO® Systems
Attn: Customer Service
101 Production Drive
Harrison, OH 45030 U.S.A.



NO PERMITA QUE SE UTILICE LA PISCINA SI LAS CUBIERTAS ESTÁN ROTAS O FALTAN

Figura 2

Instalación (Continuación)

- La pendiente hacia la bomba es ascendente para evitar que quede aire atrapado.
- Utilice soportes de tubería independientes para reducir la tensión sobre la bomba.
- Mantenga la línea de succión por debajo del nivel de agua tanto como sea posible para reducir el tiempo de cebado.
- Instale válvulas y uniones en las líneas de succión y de retorno de la bomba para facilitar el servicio. Las válvulas también son esenciales para el mantenimiento de la bomba si el sistema se instala por debajo del nivel del agua de la piscina.
- Mantenga todas las válvulas totalmente abiertas durante el funcionamiento. ¡Las válvulas parcialmente cerradas desperdician energía!

AVISO Use cinta Teflon cuando haga las conexiones roscadas a la bomba. No use grasa para roscas.

INSTRUCCIONES DE ENCINTADO DE TEFLÓN

Use únicamente conexiones de tubería de PVC nuevas o limpias. Envuelva las roscas macho de la tubería con dos capas de cinta Teflon. Cubra toda la porción roscada. No apriete en exceso. Si aparecen pérdidas, quite la tubería, limpie la cinta anterior, vuelva a envolver con una o dos capas adicionales de cinta y vuelva a hacer la conexión.

AVISO Hay roscas internas NPT de 2 pulg. disponibles para conexión directa a la tubería. La línea de succión también está diseñada para aceptar una conexión roscada externa NPT de 3 pulg. Para obtener mejores resultados use la línea de succión de mayor diámetro.

CONEXIONES

Las conexiones limitan el flujo; para conseguir la mejor eficacia use la menor cantidad de conexiones posible. Evite las conexiones que podrían causar que quedara aire atrapado. Las conexiones de una piscina deben cumplir con las normas de la International Association of Plumbing and Mechanical Officials (IAPMO). Use únicamente conexiones de succión que no permitan quedar atrapado o de succión doble.

ANTES DE LA PRUEBA DE PRESIÓN

- Apriete en forma segura las perillas, conexiones de drenaje, tapa, y accesorios del sistema.
- Es posible que se acumule aire en el punto más alto del sistema de tuberías. Normalmente se proporciona una válvula de purgado con el filtro de la piscina. Consulte el manual de instrucciones del filtro de la piscina para obtener instrucciones sobre el purgado del aire.
- La tapa del canasto se debe girar y bloquear en su posición como se indica en la Figura 3.
- Pruebe el sistema a una presión de agua de 25 psi o menos
- La temperatura del agua para la prueba debe ser menor a 100° F.

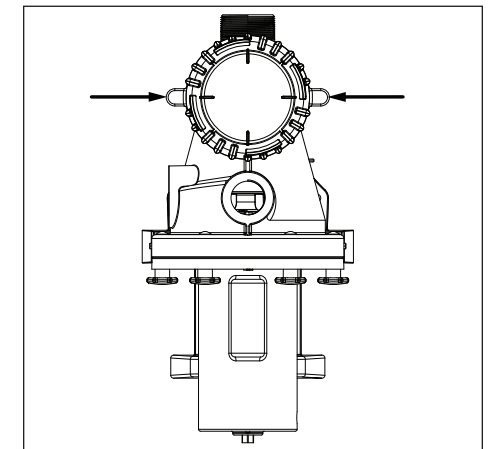


Figura 3 - Anillos de fijación

- Después de 24 horas verifique visualmente el sistema para detectar posibles pérdidas.

REQUISITOS DE SUCCIÓN DE LA BOMBA PARA PISCINA

PELIGRO La succión de la bomba es peligrosa y puede atrapar, ahogar o destripar a los bañistas, no use ni opere piscinas o tinas de hidromasaje si falta la tapa de la salida de succión o si está rota o suelta. Siga las pautas que aparecen a continuación para una instalación de la bomba que minimice el riesgo a los usuarios de piscinas y tinas de hidromasaje.

PELIGRO Conecte a tierra el motor antes de conectar la fuente de energía eléctrica. El no conectar a tierra el motor puede causar un riesgo de choque eléctrico grave o mortal.

Informaciones Generales de Seguridad (Continuación)

en la placa de identificación del motor. Todo cerramiento o construcción para contener la bomba debe permitir una ventilación adecuada que asegure que la temperatura ambiente permanece por debajo de la clasificación del motor cuando la bomba esté funcionando.

- Coloque la bomba sobre una superficie no combustible. La superficie debe ser dura, estar nivelada, seca, bien ventilada y fuera de la luz solar directa. El área circundante debe proporcionar protección contra las inclemencias climáticas y un espacio suficiente para permitir el servicio y el mantenimiento. Asegúrese de que el drenaje fluya lejos de la bomba. Para reducir la vibración y la tensión en las tuberías, utilice pernos de anclaje para asegurar la base de la bomba a la superficie. Apoye la tubería de succión y descarga.
- Diseñe el sistema de tubería de modo que la altura de entrada de succión de la bomba esté lo más cerca posible del nivel del agua. Arme la bomba por debajo del nivel del agua para facilitar el cebado. Si la bomba debe colocarse sobre el nivel del agua de la piscina, mantenga la distancia vertical al mínimo. Utilice tuberías cortas y directas hacia la succión para minimizar la pérdida por fricción.

⚠ ADVERTENCIA *Riesgo de incendio y quemaduras. Los*

motores funcionan a altas temperaturas.

No permita que se acumulen hojas, restos o materia extraña alrededor del motor de la bomba. Mantenga abiertos los orificios de ventilación. Deje que el motor se enfríe antes de manipularlo. Mantenga alejados los líquidos inflamables.

- Si se dispara la protección de sobrecarga térmica del motor o si se dispara el interruptor GFCI determine la causa y corrija el problema antes de volver a encender la bomba.
- Utilice tuberías de PVC rígido o flexible. Asegúrese de que los extremos estén limpios y libres de toda rebaba causada por el corte. Utilice el pegamento adecuado para el tipo de tubería seleccionada.

NOTA: utilice un imprimador recomendado por el proveedor para asegurar que las uniones pegadas queden seguras. Muchos códigos locales exigen un imprimador con un

indicador violeta para verificar el uso del imprimador.

- Tenga en cuenta las condiciones climáticas cuando aplique adhesivos. Las condiciones atmosféricas de alta humedad harán que la acción adhesiva de algunos pegamentos sea menos eficaz. Siga las instrucciones del fabricante.

Pautas de seguridad en las piscinas

SUPERVISIÓN ADULTA RESPONSABLE

Es obligatoria la supervisión adulta constante y responsable en el entorno de la piscina o la tina de hidromasajes. Siempre supervise a los niños alrededor de piscinas y tinas de hidromasaje. Nunca permita que un niño juegue de tal modo que el cabello del niño quede cerca de la cubierta del drenaje.

DRENAJES, ACCESORIOS DE SUCCIÓN Y CHORRO

Mantenga el cabello y la ropa lejos de la cubierta de drenaje de la conexión de succión. Si tiene cabello largo use una gorra de baño o recójase el cabello hacia arriba. Las rejillas y cubiertas de corriente ayudan a evitar que el cabello o el cuerpo queden atrapados. Asegúrese de que las cubiertas de drenaje cumplan con la norma A112.19.8 de ANSI/ASME. Se deben instalar puertas de seguridad en todas las líneas de succión de la pared de limpieza de la piscina. Las piscinas o tinas de hidromasaje con cubiertas de drenaje rotas, faltantes o no aseguradas adecuadamente no deben usarse hasta que se haya instalado un reemplazo adecuado.

RIESGOS ELÉCTRICOS

Un electricista licenciado, con experiencia en piscinas y tinas de hidromasaje debe inspeccionar su equipo para asegurarse de que todo está adecuadamente conectado a tierra, empalmado y protegido con circuitos GFCI adecuados de acuerdo con el Artículo 680 del Código eléctrico nacional.

PREVENCIÓN DE AHOGO

Instale e inspeccione regularmente las cercas, los portones de cierre automático y con seguro, las cercas de barrera para bebés y las alarmas. Elimine las rutas secundarias hacia la piscina que incluyan máquinas o equipo que proporcionen una ruta por encima de la cerca y hacia el área de la piscina.

INSTALACIONES DE INTERIORES

Las piscinas y tinas de hidromasajes ubicadas en interiores deben cumplir con la norma 62-2001 de ANSI/ASHRAE (American Society of Heating,

Refrigeration and Air-Conditioning Engineers) para asegurar una ventilación adecuada y un uso seguro.

SEÑALES DE ADVERTENCIA

Proteja a su familia e invitados. Asegúrese de que todas las señales de advertencia proporcionadas por el fabricante, constructor o instalador se exhiban de acuerdo con las especificaciones del fabricante.

Instalación

⚠ PELIGRO *¡Riesgo de choque! Sólo personal calificado y licenciado debe instalar la bomba y el cableado.*

⚠ ADVERTENCIA *Un profesional capacitado y familiarizado con la instalación de la bomba para piscinas debe realizar las pruebas de presión.*

El montaje de la bomba se debe ubicar alejado de productos químicos corrosivos o inflamables.

No conecte la bomba a un sistema de agua municipal. La bomba está diseñada únicamente para su instalación con piscinas o tinas de hidromasaje. La bomba se debe instalar con un mínimo de 2 drenajes principales equipados con cubiertas certificadas que eviten quedar atrapado y que cumplan con la norma A119.19.8 de ASME/ANSI (vea Figura 2). Se debe eliminar el aire del sistema de tuberías antes de poner en funcionamiento o probar el equipo (vea el manual del filtro).

CONEXIONES ROSCADAS

Utilice únicamente cinta de Teflón® o equivalente en las conexiones roscadas de plomería. Otros compuestos para tuberías pueden dañar las roscas. No utilice silicona ni compuestos a base de petróleo.

PLOMERÍA DE LA BOMBA

La tubería de succión debe ser tan larga como la tubería de descarga o más larga. Evite utilizar una tubería de succión más pequeña que la conexión de la bomba. La bomba está diseñada para aceptar tuberías de succión de 2 ó 3 pulg. Las tuberías de mayor diámetro reducen el ruido y mejoran el desempeño.

- Mantenga la tubería tan recta y corta como sea posible, y del tamaño adecuado.
- Evite conectar un codo directamente en la entrada de la bomba. Una tubería recta de cierto largo permitirá la correcta entrada del agua a la bomba.

Replacement Parts List

Ref. No.	Description	Part Number	Qty.
1	Machine Screw 3/8-16 x 1.00 UNC 2A	4383	4
2	Base Screw	4951	2
3	Machine Screw 10-32 x 1/2 UNC 2A	08831	3
4	Machine Screw 1/4-20 x 1 UNC 2A Left Handed	14052	1
5	Diffuser O-Ring	19014-001	1
6	Strainer Basket O-Ring	19084-001	1
7	Housing O-Ring	19087-002	1
8a	Seal Stationary	21212-001	1
8b	Bellows Assembly	21212-002	1
9	Drain Plug	14421	2
10	Filter Basket	28570-001	1
11	Pump Housing	28571-002	1
12	Seal Plate	28572-001	1
13	Pool Pump Base	28573-001	1
14	Locking Ring	29595-001	1
15	Clear Basket Cover	29596-001	1
16a	3/4 HP Impeller (APB075PRO, APB100UPRO)	29860-001	1
16b	1 HP Impeller (APB100PRO, APB150UPRO)	29859-001	1
16c	1-1/2 HP Impeller (APB150PRO, APB200UPRO)	29861-001	1
16d	2 HP Impeller (APB200PRO, APB250UPRO)	29862-001	1
16e	3 HP Impeller (APB300PRO)	29858-001	1
17a	Diffuser 5 Vane (APB075PRO and APB100UPRO)	29864-001	1
17b	Diffuser 7 Vane (APB100PRO, APB150PRO, APB200PRO, APB150UPRO, APB200UPRO, APB250UPRO)	29863-001	1
17c	Diffuser 3 HP (APB300PRO)	29863-002	1
18a	3/4 HP Motor (APB075PRO, APB100UPRO)	32166-001	1
18b	1 HP Motor (APB100PRO, APB150UPRO)	32165-001	1
18c	1-1/2 HP Motor (APB150PRO, APB200UPRO)	32164-001	1
18d	2 HP Motor (APB200PRO, APB250UPRO)	32163-001	1
18e	3 HP Motor (APB300PRO)	32162-001	1
19	Floating Wear Ring	46066-001	1
20	Knob	67121-001	6
21	Rib Neck Bolts	67122-001	6
22	Slinger	(Included with Motor, parts 18a-e)	1

REPLACEMENT PART KITS

Seal Kit	69013-001	(Parts 6 & 7)
Motor Kit		
3/4 HP (APB075PRO, APB100UPRO)	69014-001	(Parts 7, 8 & 18a)
1 HP (APB100PRO, APB150UPRO)	69015-001	(Parts 7, 8 & 18b)
1-1/2 HP (APB150PRO, APB200UPRO)	69016-001	(Parts 7, 8 & 18c)
2 HP (APB200PRO, APB250UPRO)	69017-001	(Parts 7, 8 & 18d)
3 HP (APB300PRO)	69018-001	(Parts 7, 8 & 18e)
Impeller Kit		
3/4 HP (APB075PRO, APB100UPRO)	69019-001	(Parts 4, 7, 16a & 19)
1 HP (APB100PRO, APB150UPRO)	69020-001	(Parts 4, 7, 16b & 19)
1-1/2 HP (APB150PRO, APB200UPRO)	69021-001	(Parts 4, 7, 16c & 19)
2 HP (APB200PRO, APB250UPRO)	69022-001	(Parts 4, 7, 16d & 19)
3 HP (APB300PRO)	69023-001	(Parts 4, 7, 16e & 19)
Diffuser Kit		
3/4 HP (APB075PRO, APB100UPRO)	69025-001	(Parts 5, 7 & 17a)
1, 1-1/2, 2 HP (APB100PRO, APB150PRO, APB200PRO, APB150UPRO, APB200UPRO, APB250UPRO)	69024-001	(Parts 5, 7 & 17b)
3 HP (APB300PRO)	69026-001	(Parts 5, 7 & 17c)
Wet End Kits		
3/4 HP (APB075PRO, APB100UPRO)	69133-001	(Parts 18a,16a,17a,1,3,4,5,7,8a,8b,12,19,22)
1 HP (APB100PRO, APB150UPRO)	69132-001	(Parts 18b,16b,17b,1,3,4,5,7,8a,8b,12,19,22)
1-1/2 HP (APB150PRO, APB200UPRO)	69131-001	(Parts 18c,16c,17b,1,3,4,5,7,8a,8b,12,19,22)
2 HP (APB200PRO, APB250UPRO)	69130-001	(Parts 18d,16d,17b,1,3,4,5,7,8a,8b,12,19,22)
3 HP (APB300PRO)	69129-001	(Parts 18e,16e,17c,1,3,4,5,7,8a,8b,12,19,22)
Seal Plate Kit	69027-001	(Parts 7, 8 & 12)

Limited Warranty

For one (1) year from the date of purchase, WAYNE Water Systems, d/b/a AquaPRO® Systems will repair or replace, at its option, for the original owner any parts of its pumps ("Product") which are found upon examination by AquaPRO® Systems to be defective in materials or workmanship.

Please call AquaPRO® Systems at 1-877-278-2797 for instructions. Be prepared to provide a receipt, the model number and serial number when exercising this limited warranty.

Purchaser must pay all labor and transportation charges on Products or parts submitted for repair or replacement.

All non-warranty service charges are the responsibility of the original owner. Failure to pay for non-warranty service charges will void this Limited Warranty.

This Limited Warranty does not cover Products that have been damaged as a result of accident, freezing, abuse, misuse, neglect, improper installation, improper maintenance or failure to operate in accordance with AquaPRO®'s written instructions. All maintenance and service must be performed by service agents approved by AquaPRO® Systems. Any unauthorized alteration or repairs will void this Limited Warranty.

THERE IS NO OTHER EXPRESS WARRANTY. IMPLIED WARRANTIES, INCLUDING THOSE OF MERCHANTABILITY AND FITNESS FOR A PARTICULAR PURPOSE, ARE LIMITED TO ONE (1) YEAR FROM THE DATE OF PURCHASE. THIS IS THE EXCLUSIVE REMEDY AND ANY LIABILITY FOR ANY AND ALL INDIRECT OR CONSEQUENTIAL DAMAGES OR EXPENSES WHATSOEVER IS EXCLUDED.

Some states do not allow limitations on how long an implied warranty lasts, or do not allow the exclusions or limitations of incidental or consequential damages, so the above limitations might not apply to you. This limited warranty gives you specific legal rights, and you may also have other legal rights which vary from state to state.

In no event, whether as a result of breach of contract warranty, tort (including negligence) or otherwise, shall AquaPRO® or its suppliers be liable for any special, consequential, incidental or penal damages including, but not limited to loss of profit or revenues, loss of use of the products or any associated equipment, damage to associated equipment, cost of capital, cost of substitute products, facilities, services or replacement power, downtime costs, or claims of buyer's customers for such damages.

This Limited Warranty does not include freight charges for equipment or component parts, to and from the factory, services such as maintenance or inspection, repair or damage due to negligence such as freezing conditions, incorrect installation, nor acts of God. The liability of AquaPRO® Systems shall not exceed the repair or replacement of defective parts under this Limited Warranty. This Limited Warranty also does not include unnecessary service calls due to erroneous operational reports, external valve positions, or electrical service. If a non-warranty service call is made, and the homeowner is unwilling to pay for the service call, this Limited Warranty will be voided. This Limited Warranty is voided if the product is repaired or altered by any persons or agencies other than those authorized by AquaPRO® Systems. This Limited warranty applies only within the continental USA. For warranty outside the continental USA, contact AquaPRO® Systems.

You **MUST** retain your purchase receipt along with this form. In the event you need to exercise a warranty claim, you **MUST** present a **copy** of the purchase receipt at the time of service. Please call AquaPRO® Systems at 1-877-278-2797 for service or return authorization and instructions.

DO NOT MAIL THIS FORM TO AquaPRO® SYSTEMS. Use this form only to maintain your records.

MODEL NO. _____ SERIAL NO. _____ INSTALLATION DATE _____

Por favor lea y guarde estas instrucciones. Léalas cuidadosamente antes de tratar de montar, instalar, operar o dar mantenimiento al producto aquí descrito. Protéjase usted mismo y a los demás observando toda la información de seguridad. ¡El no cumplir con las instrucciones puede ocasionar daños, tanto personales como a la propiedad! Guarde estas instrucciones para referencia en el futuro.

Índice

Descripción	13
Medidas de seguridad	13
Informaciones generales de seguridad	13 - 14
Pautas de seguridad en las piscinas .	14
Supervisión adulta responsable . .	14
Drenajes, accesorios de succión y chorro	14
Riesgos eléctricos	14
Prevención de ahogos	14
Instalaciones de interiores	14
Señales de advertencia	14
Instalación	14 - 16
Conexiones roscadas	14
Plomería de la bomba	14 - 15
Instrucciones de encintado de Teflón	15
Conexiones	15
Antes de la prueba de presión . . .	15
Requisitos de succión de la bomba para piscina	15 - 16
Salidas por bomba	16
Eléctrica	16
Voltaje	16
Conexión a tierra/empalmes	16
Cableado	16
Funcionamiento	16 - 17
Cebado de la bomba	16 - 17
Mantenimiento	17 - 18
Drenaje de la bomba	17
Almacenamiento/acondicionamiento para el invierno	17
Mantenimiento de la bomba	17
Reparación	17 - 18
Diagnóstico y Resolución de Problemas	18 - 19
Caudales de la bomba para piscinas	19 - 20
Notas	20 - 21
Diagrama de piezas	22
Lista de Repuestos	23
Garantía	24

Descripción

La bomba para piscina autocebante está diseñada para ofrecer una alta eficiencia y un fácil mantenimiento con un cesto de filtrado de gran tamaño. Está construida de termoplástico duradero para años de servicio sin problemas. Esta bomba para piscinas está diseñada para ser usada únicamente en piscinas de instalación permanente y tinas de hidromasaje. No la use con piscinas desmontables.

Desempaque

Al desempacar este producto, revíselo con cuidado para cerciorarse de que esté en perfecto estado. Verifique que no haya piezas sueltas, faltantes o dañadas.

Medidas de seguridad

Este manual contiene información que es muy importante que sepa y comprenda. Esta información se la suministramos como medida de SEGURIDAD y para EVITAR PROBLEMAS CON EL EQUIPO. Debe reconocer los siguientes símbolos.

▲ PELIGRO Esto le indica que hay una situación inmediata que LE OCASIONARIA la muerte o heridas de gravedad.

▲ ADVERTENCIA Esto le indica que hay una situación que PODRIA ocasionarle la muerte o heridas de gravedad.

▲ PRECAUCION Esto le indica que hay una situación que PODRIA ocasionarle heridas no muy graves.

AVISO Esto le indica una información importante, que de no seguirla, le podría ocasionar daños al equipo.

NOTA: información que requiere atención especial.

Informaciones Generales de Seguridad

Como usuario AquaPRO® Systems, usted es importante para nosotros. Por eso se incluye una copia del Manual del usuario con cada bomba que se envía desde nuestra fábrica. Este manual contiene secciones importantes con respecto a la seguridad del usuario, el uso, el mantenimiento, la garantía, etc. Es una buena idea pedir copias adicionales para otros instaladores/usuarios. Hay copias adicionales gratuitas disponibles en www.aquapro systems.com.

PROPOSICIÓN 65 DE CALIFORNIA

▲ ADVERTENCIA Este producto, o su cordón eléctrico, puede contener productos químicos conocidos por el estado de California como causantes de cáncer y defectos de nacimiento u otros daños reproductivos. Lave sus manos después de usar.

INFORMACIONES GENERALES DE SEGURIDAD

LEA Y SIGA TODAS LAS INSTRUCCIONES

▲ WARNING Para reducir el riesgo de lesiones, no permita que los niños usen este producto a menos que estén constantemente supervisados muy de cerca.



Figura 1 - Bomba para piscinas

▲ WARNING Riesgo de choque eléctrico. Conectar sólo a un tomacorriente de tipo con conexión a tierra protegido por un interruptor de descarga a tierra (GFCI). Póngase en contacto con un electricista calificado si usted no puede verificar que el tomacorriente está protegido por un GFCI.

No entierre el cordón. Coloque el cordón para minimizar daños por cortacéspedes, cortadoras de bordes y otro equipo.

▲ WARNING Para reducir el riesgo de choque eléctrico, sustituya inmediatamente el cordón dañado.

▲ CAUTION Esta bomba está diseñada para usarse con piscinas de instalación permanente y también puede usarse con tinas de agua caliente e hidromasaje si así se indica. No la use con piscinas desmontables. Una piscina de instalación permanente está construida dentro o sobre el suelo o de tal manera que no se puede desarmar fácilmente para guardarse. Una piscina desmontable está construida de manera tal que se puede desarmar fácilmente para guardar y se puede volver a armar para que quede con su estructura original.

GUARDE ESTAS INSTRUCCIONES.

No use la bomba para ningún otro propósito que no sea para usar con una piscina/tina de hidromasaje. Los componentes no fueron diseñados para otras aplicaciones, esto podría provocar graves fallos en la bomba. Cualquier uso no aprobado anulará la garantía.

Siga siempre las precauciones básicas de seguridad con este equipo, incluido lo siguiente:

- Proporcione ventilación suficiente para mantener la temperatura del aire por debajo de la clasificación máxima de temperatura ambiente que se muestra

RECORDATORIO: ¡Guarde su comprobante de compra con fecha para fines de la garantía! Adjúntela a este manual o archívela en lugar seguro.