

Installation Instructions

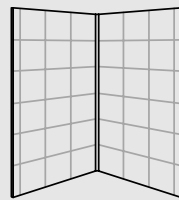
CORIAN® SOLID SURFACE BATH AND SHOWER WALLS

TOWN SQUARE MODELS:

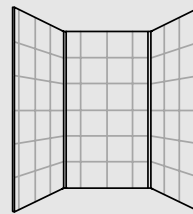
4834.SWTS, 3636.SWTS, 3838.CWTS, 6042.BWTS

OTHER MODELS:

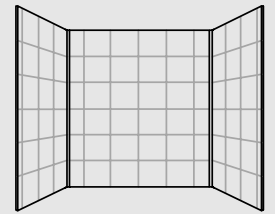
3232.LSW, 3636.LSW, 4242.LSW, 4834.LSW, 6034.LSW
3636.LCW, 3838.LCW, 4242.LCW, 6060.LCW
6030.LBW, 6032.LBW, 7236.LBW



Corner



Alcove



Bath Tub

Certified to comply with ANSI Z124.1;
Z-124-2; Z-124.3. Observe all local
plumbing and building codes.

**Thank you for selecting American-Standard...the benchmark of fine quality
for over 100 years. To ensure that your installation proceeds smoothly—please
read these instructions carefully before you begin.**

752770-100 Rev. B

BEFORE YOU BEGIN....

Unpack your new shower walls and inspect them carefully for damage. Verify that the walls are the correct size for your installation. Save the shipping carton to use as a template. Refer to American Standard roughing-in information for specific dimensions for each model.

TOOLS & MATERIALS REQUIRED....

TOOLS:

- Carbide Drill & Hole Saw or Sabre Saw
- Tape Measure
- Caulking Gun
- Razor (Utility) Knife
- Grease Pencil
- Masking Tape
- Hot-Melt Glue Gun (optional)
- Level
- Denatured Alcohol Solvent

MATERIALS:

- 4 Tubes Clear Silicone Caulking For Shower or 5 Tubes Clear Silicone Caulking For Bath
- Hot Melt Glue and/or props and/or braces

NOTE Take extra care in handling the front surfaces of the walls. Use only non-abrasive cloths to avoid scratching.

HOTLINE FOR HELP

FOR TOLL FREE INFORMATION AND ANSWERS TO YOUR QUESTIONS, CALL:
1 (800) 442-1902, in Canada call 1 (800) 387-0369.
Weekdays 8:00 a.m. to 4:00 p.m. Eastern time.

1

WALL SURFACE PREPARATION:

Corian® solid surface shower walls can be installed on water-proof drywall, plaster, Wonderboard®, or marine-grade plywood. Regular drywall is not recommended.

1. Remove any loose pieces of wall surface and repair to make a flat, plumb and square surface.
2. Clean the surface with **denatured alcohol** to insure good panel bonding.
3. Prime or water seal raw plaster, wallboard or spackling prior to installation.

IMPORTANT The shower base or bath must be in place before the shower walls can be installed. Make sure that these fixtures are installed correctly and are **level**. Please cover the fixtures with plastic or cardboard to prevent damage during installation. Allow 1/8" gap per width of panel for expansion. This applies especially to applications where both vertical sides are restricted, such as between end walls. Also, allow 1/16" to 1/8" space at the bottom between the panels and the bath or shower base.

HOLE LOCATIONS FOR FIXTURES:

1. Turn off hot and cold supplies remove existing handles, escutcheons and shower head & arm.
2. Cut a template from the shipping carton the width & length of the side panel, mark the template "front". See Fig. 1.
3. Draw a vertical line from the top corner of the bath or shower base using a level to 1" below the ceiling. See Fig. 2 & 3.
4. Measure the centers of the shower head pipe and faucet valve stem(s) as referenced from the top of the mounting surface shim (made from narrow wooden strips or plastic) and the vertical line made in step no. 3.
5. Transfer these hole locations to the cardboard template and cut holes in the template large enough to fit over the faucet valve stem(s) and the shower pipe.
6. Place the template on the wall and align the front edge with the pencil line scribed from step no. 3. Check for accuracy of the holes. If a hole is off, place masking tape over the incorrect hole and spot the new, correct center. Mark the front of the template (side facing you) for later identification.
7. Place the side wall on the floor with the grooves facing toward the floor and place front of the template on top (facing down). See Fig. 1 Make sure the front of the template is lined up with the front edge of the panel, and the bottom corresponds to the top of the shower base. Line up the front and bottom edges and mark the hole centers on the shower wall with a grease pencil.
8. Drill holes in the panel. Using a carbide hole saw, drill holes of sufficient size to allow for clearance of stems and valves, and to allow for future servicing of these components. Make sure that the holes can be covered by the escutcheon. Drill holes from the backside of the panel to avoid chipping the front surface.
9. After drilling the holes, dry fit the panel against the wall and check for accuracy lining-up the edges of the panel with the traced line from step no. 3.

IMPORTANT: USE ROUTER, SPADE BITS, TWIST DRILLS OR HOLE SAWS ONLY. DO NOT USE AUGER BITS.

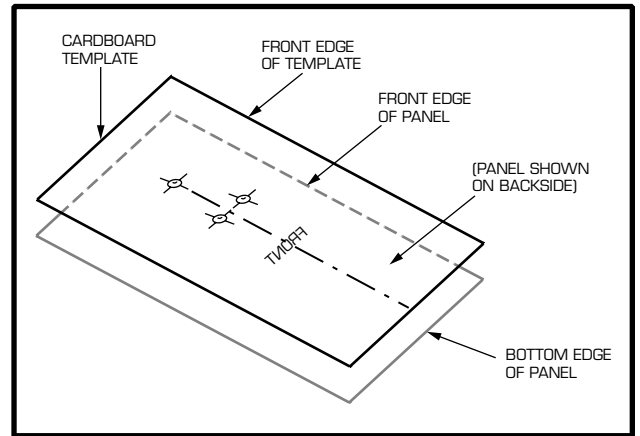


FIG. 1

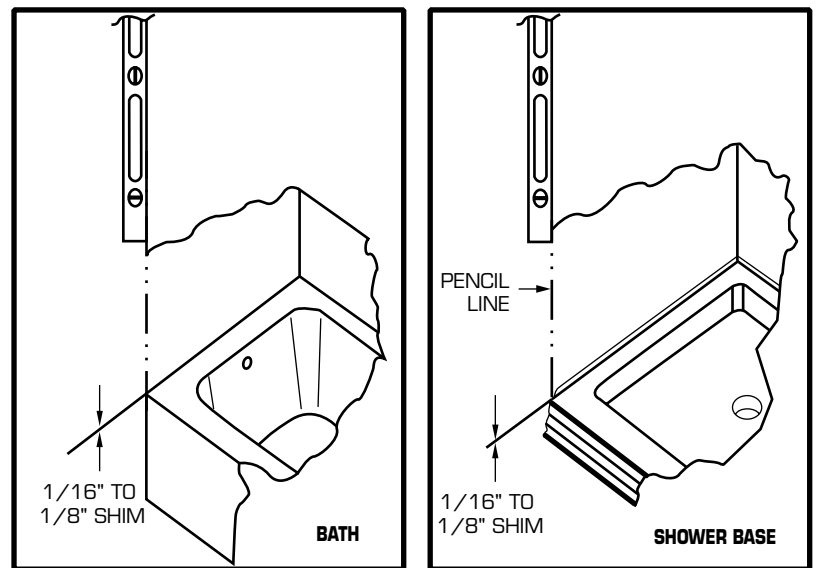


FIG. 2

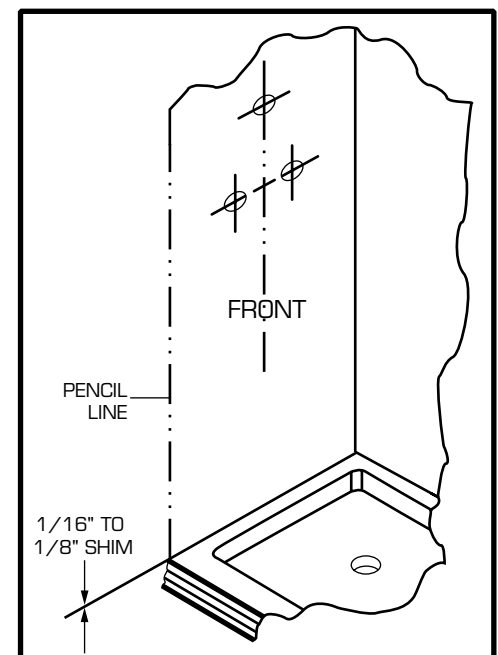


FIG. 3

PANEL INSTALLATION:

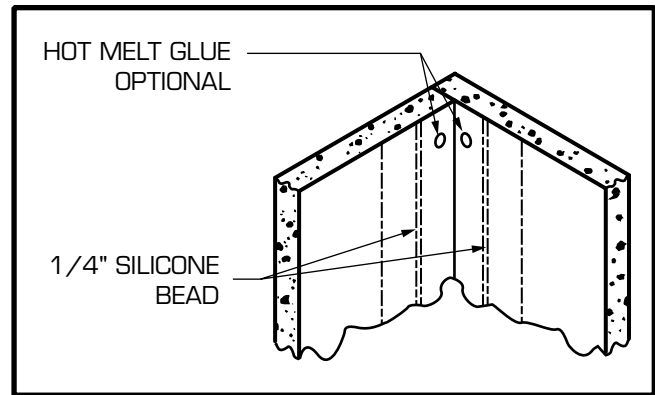
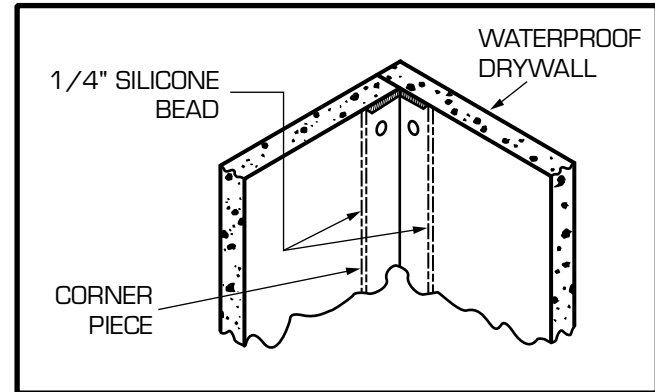
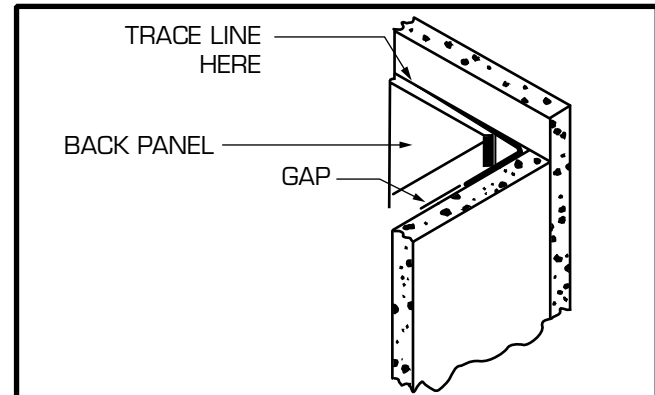
1. Apply a 1/4" bead of silicone to each side of corner(s). Place corner pieces into corners and secure with props and/or braces and/or hot melt glue. Shim corner pieces 1/16" to 1/8" up from tub or shower base. Let dry. See Figs. 4 & 5.
2. Dry-fit the back panel to the back wall, centering the panel between the two corner pieces. You should have the same gap between the corner and the panel on both sides. See Fig. 6.

Remember to shim the panel up from fixture. With the panel in place, trace a line across the top edge to serve as a guide for alignment and silicone application. Repeat this process for remaining wall(s).

3. **GLUING PANELS TO WALL:**

Bond one panel at a time. Apply silicone onto the premarked wall to within 1/2" of the pencil lines.

Apply a 1/4" bead of silicone sealant 3/8" from edge of the backside of the panel. Install the back panel and secure in place with props and/or braces and/or hot melt glue. Wipe excess sealant with a damp cloth. Repeat this procedure until all panels are installed. See Fig. 6.

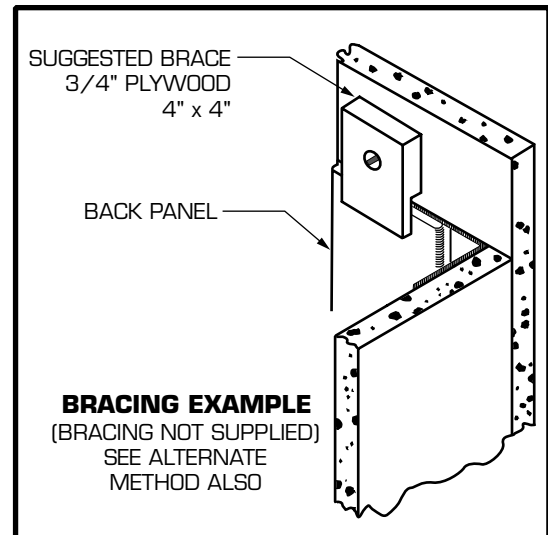
**FIG. 4****FIG. 5****FIG. 6**

SPLIT BACK-PANEL INSTRUCTIONS (for Back walls that are 48" to 72" wide)

These back-panels are split horizontally in the center of the grooves to hide the seams. The bottom panel should be installed first, and the top panel will "slide" over the tongue of the bottom panel to make a seamless appearance.

1. After corner pieces are set and dried, dry-fit the bottom panel to the back wall, centering the panel between the two corner pieces. You should have the same gap between the corner piece and the panel on both sides. See Fig. 6. (Remember to shim the panel up from the shower base or bath tub.) With the bottom half panel in place, trace a line across the tongue to serve as a guide for alignment and adhesive application.
2. Apply silicone onto the premarked wall to within 1/2" of the pencil lines. Apply a 1/4" bead of silicone sealant on the edge of the backside of the panel. Install the bottom half of the back panel and secure in place with props and/or braces and/or hot melt glue. Wipe excess sealant with a damp cloth.
3. After the bottom half of the panel is set and dried, the top panel can be installed. Dry fit the top half of the panel and check for alignment with pre-drawn lines, corner pieces, and bottom panel half. Apply silicone onto the pre-marked top half wall to within 1/2" of the pencil lines.

Apply a 1/4" bead of silicone sealant in the groove of the top panel as shown in Fig. 7 on the following page. Apply a 1/4" bead of silicone sealant 3/8" from the edge of the sides of the panel. Install the top half of the back panel and secure in place with props and/or braces. Wipe excess sealant with a damp cloth. See Figs. 7 & 8 below.



ALTERNATE BRACING METHOD:

Pull panel away from the wall at the top and apply a dab of hot melt glue to subsurface at each panel corner. Immediately press entire panel into position. Hold panel in place for 10 to 15 seconds.

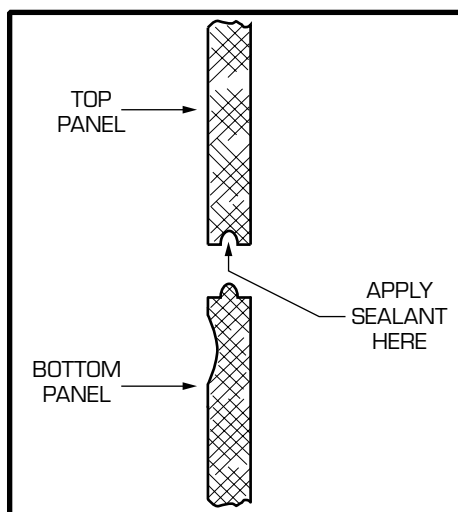


FIG. 7

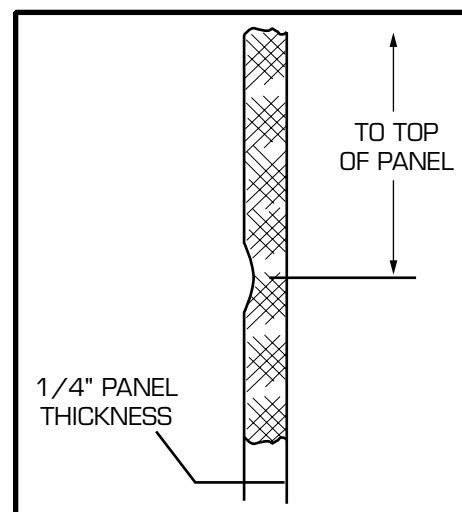


FIG. 8

5**FINISHING:**


After the adhesive is set, remove the shim and caulk the exposed seams with silicone sealant. Exposed seams must be caulked with a clear or matching silicone sealant. The freshened caulked lines can be smoothed and excess sealant removed by running a clean, damp cloth along the seams.

Apply trim (if any) and accessories (soap dish, etc.) with clear or matching silicone sealants and prop into place until the sealant sets.

6**MAINTENANCE:**

Clean up of silicone sealants or mastics, should follow manufacturer's recommendation. For daily care and cleaning, refer to the American Standard maintenance label provided with the Corian® solid product shower walls. Always provide adequate ventilation while working.

AMERICAN STANDARD TEN-YEAR LIMITED WARRANTY

If, within ten years after its initial purchase, inspection of the  Corian portion of this American Standard product, confirms that it is defective in materials or workmanship, American Standard will repair or, at its option, exchange the product for a similar model or refund the purchase price.

This warranty applies only to the original purchaser and installation of these products. All labor and transportation costs or charges incidental to warranty service are to be borne by the original consumer-purchaser.

This limited warranty **does not apply** to local building code compliance. Since local building codes vary considerably, the purchaser of this product should check with a local building or plumbing contractor to insure local code compliance before installation.

This warranty **shall be void** if the product has been fabricated or modified in a manner inconsistent with the product as shipped by American-Standard; moved from its initial place of installation; if it has been subjected to faulty maintenance, abuse, misuse, accident or other damages; or if it was not installed in accordance with American Standard's instructions.

American Standard's option to repair or exchange the product under this warranty does not cover any labor or other costs of removal or installation, **nor shall American Standard be responsible for any other incidental or consequential damages attributable to a product defect or to the repair or exchange of a defective product, all of which are expressly excluded from this warranty.** (Some states or provinces do not allow the exclusion or limitation of implied warranties, so this exclusion may not apply to you.)

This warranty gives you specific legal rights. You may have other statutory rights that vary from state to state or from province to province, in which case this warranty does not affect such statutory rights.

In the United States:

American Standard Inc.,
P.O. Box 6820
Piscataway, New Jersey 08855
Attention: Director of Consumer Affairs

For residents of the United States,
warranty information may also be
obtained by calling the following
toll free number: (800) 442-1902

In Canada:

American-Standard,
2480 Stanfield Road
Mississauga, Ontario
Canada L4Y 1S2

Toll Free: (800) 387-0369

In Mexico:

Customer Service Manager
Ideal Standard, S.A. de C.V.
Via Morelos #330
Col. Santa Clara
Ecatepec 55540 Edo. Mexico

www.americanstandard-us.com

www.americanstandard-ca.com