

American Standard

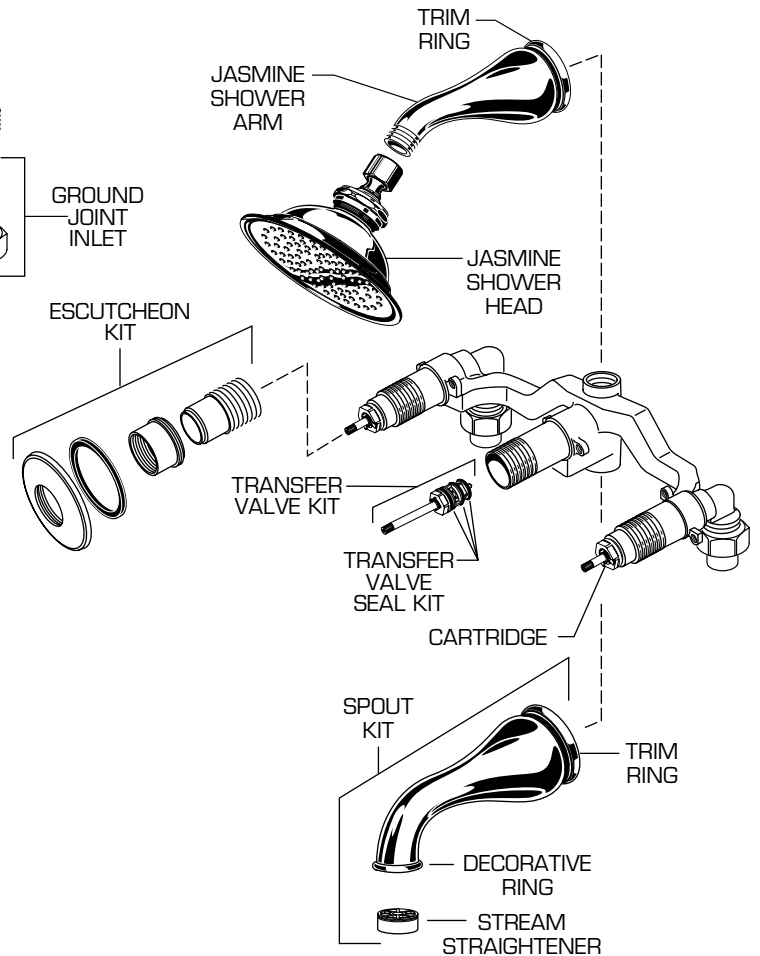
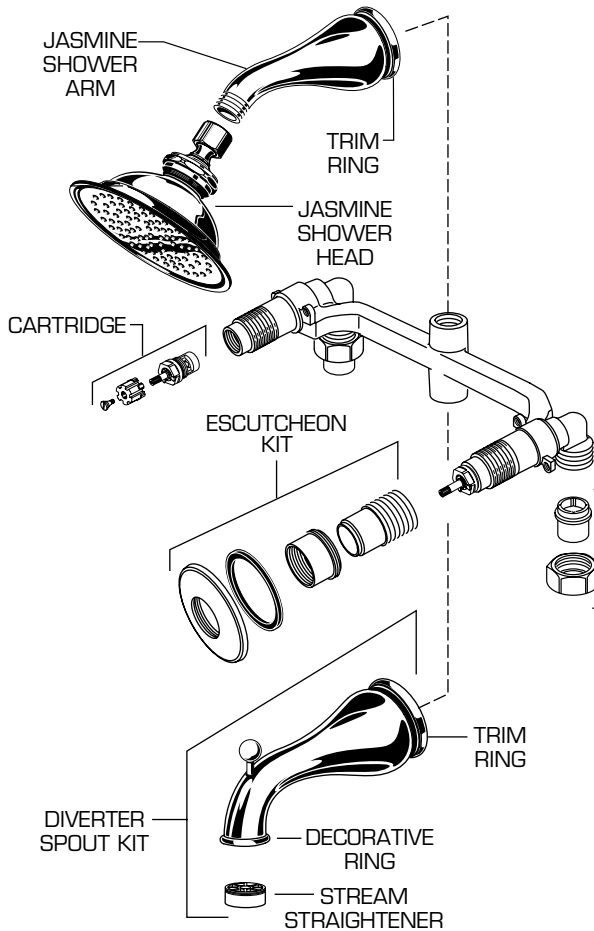
JASMINE

AMARILIS

TWO and THREE HANDLE BATH/SHOWER MODEL NUMBERS

3630 SERIES 3621 SERIES 3622 SERIES

See C-42 for products
manufactured before 01/01



★ Replace the "YYY" with appropriate finish code

CHROME	002
WHITE	020
BLK NICKEL/POL. BRASS	062 *
BLACK SMITH (PVD)	078
POL. BRASS	099
SATIN/POL. CHROME	221 *
SATIN	295
SATIN/POL. BRASS	297
CHROME/POL. BRASS	299

***NOTE: .062 AND .221 FINISHES
ARE ONLY AVAILABLE ON
3630 SERIES FITTINGS**

REPAIR PARTS	DESCRIPTION	PART NUMBER ★	PKG QTY
Handle Parts	See Amarilis Jasmine & Iris Handles In Section E		
Faucet Parts	Cartridge	028610-0070A	1
	Transfer Valve Kit	012316-0070A	1
	Transfer Valve Seal Kit	012325-0070A	1
	Ground Joint Inlet	075060-0070A	1
	Escutcheon Kit	060453-YYY0A	1
	Trim Parts	Jasmine Tub Spout	066203-YYY0A
Jasmine Diverter Tub Spout		M950215-YYY0A	1
Decorative Ring (with O-Ring)		066119-YYY0A	1
Trim Ring		909719-YYY0A	1
Stream Straightener		028678-YYY0A	1
Jasmine Shower Head		M953570-YYY0A	1
Jasmine Shower Arm		M900507-YYY0A	1