

ACRYLUX™ 36" x 36" SHOWER PAN

☐ **3636Y1.SR SHOWER PAN**

Product Features:

- High-gloss acrylic-capped ABS with fiberglass reinforcement
- Integral tiling flange on all sides
- Textured bottom



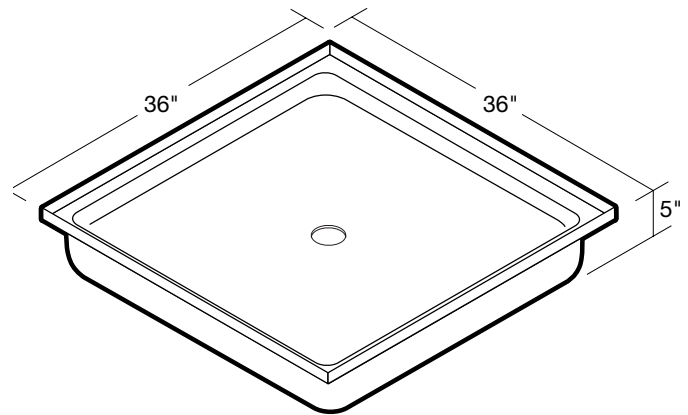
Nominal Dimensions:

36" x 36" x 5"
(914 x 914 x 127mm)

Compliance Certifications -

Meets or Exceeds the Following Specifications:

- ANSI Z124.2 for Plastic Showers
- ASTM E162 for Flammability
- NFPA 258 for Smoke Density



STUD LAYOUT

