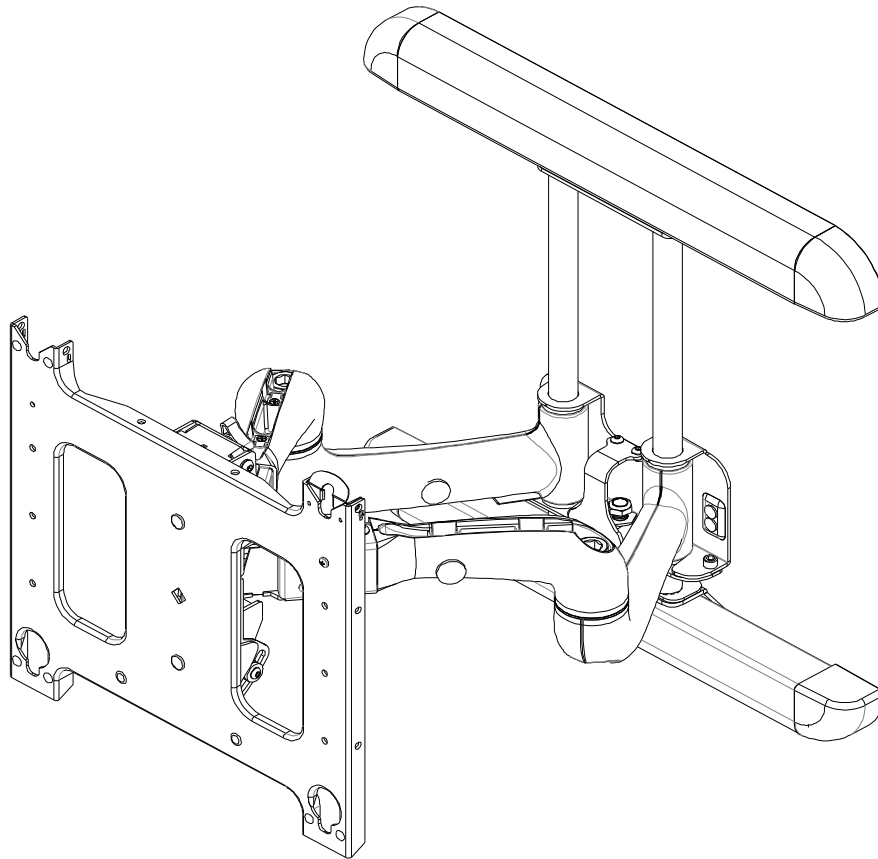

INSTALLATION INSTRUCTIONS




Large Flat Panel Dual Arm Wall Mount


DISCLAIMER


Milestone AV Technologies and its affiliated corporations and subsidiaries (collectively "Milestone"), intend to make this manual accurate and complete. However, Milestone makes no claim that the information contained herein covers all details, conditions or variations, nor does it provide for every possible contingency in connection with the installation or use of this product. The information contained in this document is subject to change without notice or obligation of any kind. Milestone makes no representation of warranty, expressed or implied, regarding the information contained herein. Milestone assumes no responsibility for accuracy, completeness or sufficiency of the information contained in this document.


Chief®, ClickConnect™ and Centris Select™ are registered trademarks of Milestone AV Technologies. All rights reserved.


IMPORTANT SAFETY INSTRUCTIONS


 **WARNING:** A WARNING alerts you to the possibility of serious injury or death if you do not follow the instructions.


 **CAUTION:** A CAUTION alerts you to the possibility of damage or destruction of equipment if you do not follow the corresponding instructions.


 **WARNING:** Failure to read, thoroughly understand, and follow all instructions can result in serious personal injury, damage to equipment, or voiding of factory warranty! It is the installer's responsibility to make sure all components are properly assembled and installed using the instructions provided.

 **WARNING:** Failure to provide adequate structural strength for this component can result in serious personal injury or damage to equipment! It is the installer's responsibility to make sure the structure to which this component is attached can support five times the combined weight of all equipment. Reinforce the structure as required before installing the component. The wall to which the mount is being attached may have a maximum drywall thickness of 5/8" (1.6cm).

 **WARNING:** Exceeding the weight capacity can result in serious personal injury or damage to equipment! It is the installer's responsibility to make sure the combined weight of all components attached to this mount does not exceed 200 lbs (90.7 kg).

 **WARNING:** Use this mounting system only for its intended use as described in these instructions. Do not use attachments not recommended by the manufacturer.

 **WARNING:** Never operate this mounting system if it is damaged. Return the mounting system to a service center for examination and repair.

 **WARNING:** Do not use this product outdoors.

IMPORTANT ! : The PNR Series mounts has been designed to be mounted onto a 2" x 4" (51mm x 102 mm) 16" on center, wood stud wall.

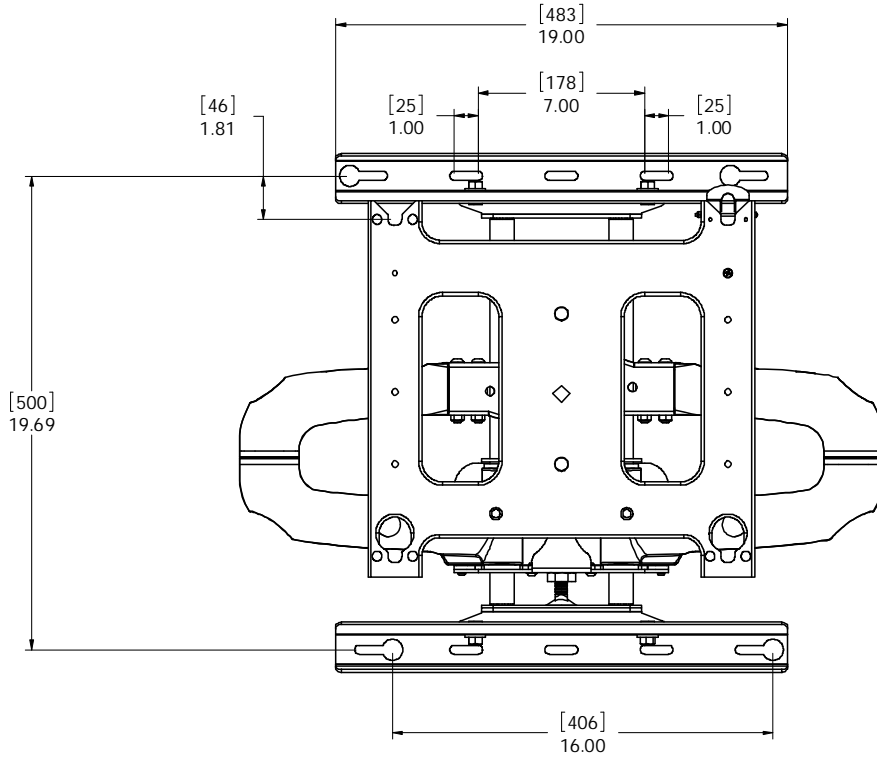
NOTE: The PNR Series includes:

- Accessory Model PNR2000 (to be used with UL Listed Chief accessory PSBU interface bracket--not included).
- Model PNRU which includes the UL Listed Chief accessory PSBU interface bracket.

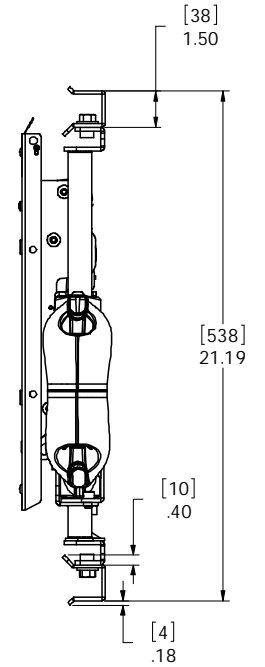
--SAVE THESE INSTRUCTIONS--

DIMENSIONS

Mounting Pattern

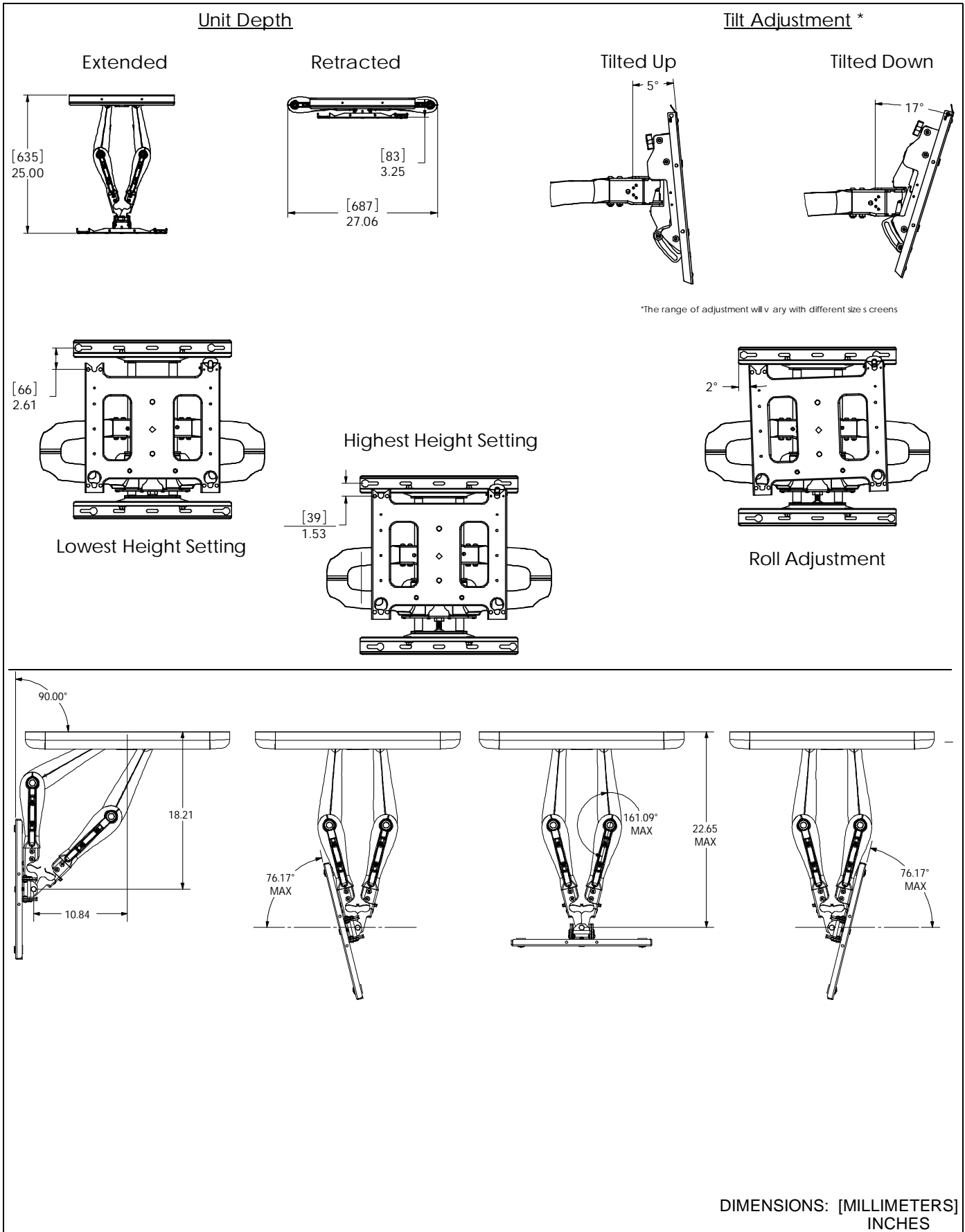


NOTE: PSBU INTERFACE BRACKET NOT SHOWN. THE PSBU INTERFACE BRACKET WILL ADD 1" IN DEPTH AND MAY AFFECT THE LOCATION OF THE DISPLAY ON THE MOUNT.











DIMENSIONS: [MILLIMETERS]
INCHES

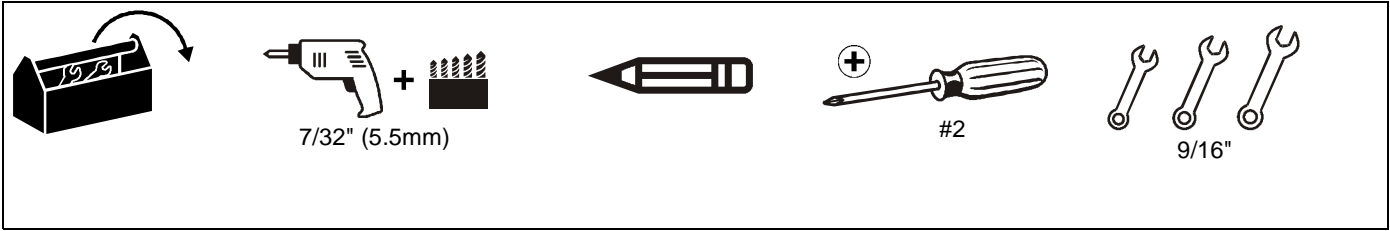
DIMENSIONS -- cont'd



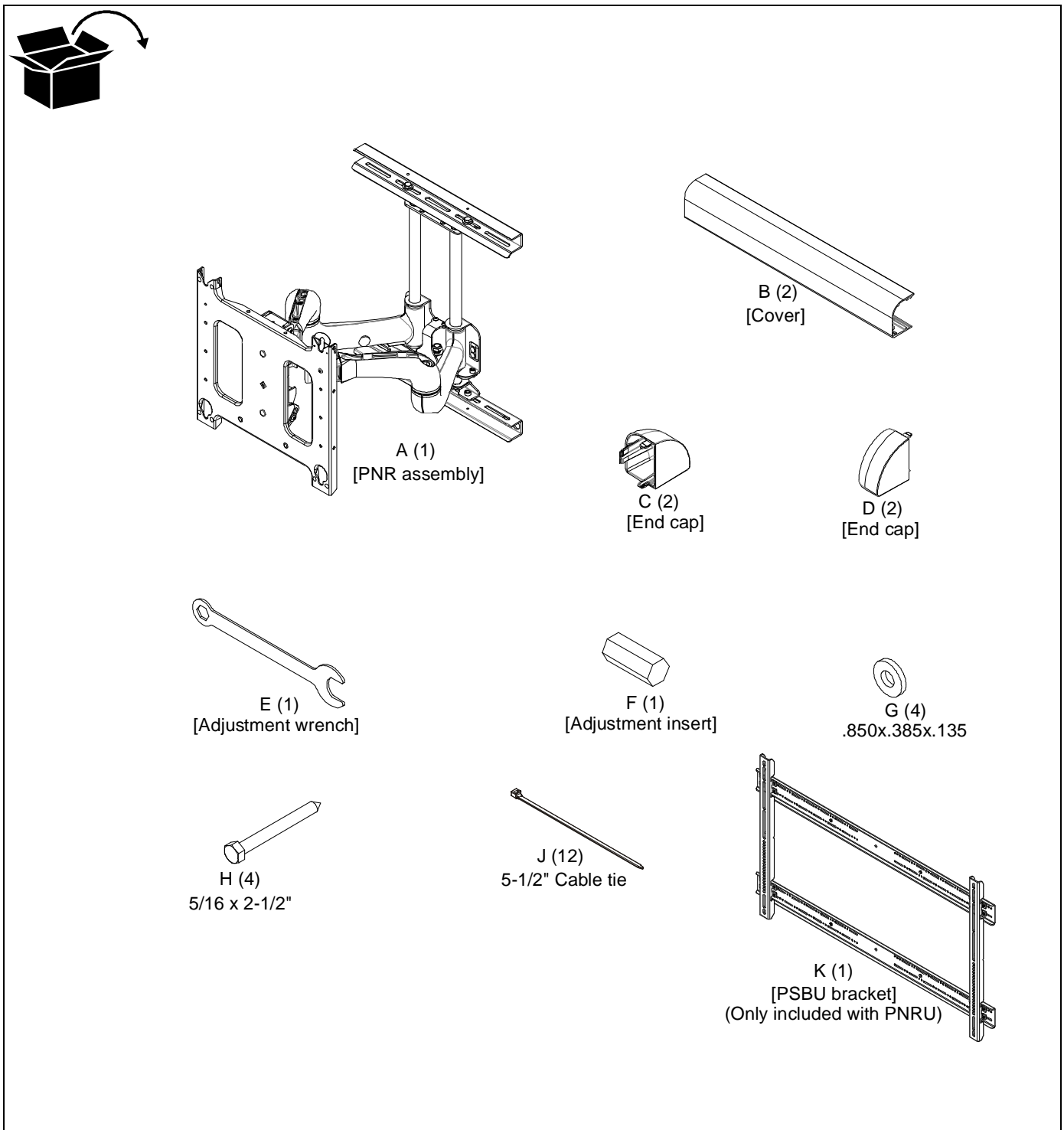
LEGEND

	<p>Tighten Fastener</p> <p>Apretar elemento de fijación</p> <p>Befestigungsteil festziehen</p> <p>Apertar fixador</p> <p>Serrare il fissaggio</p> <p>Bevestiging vastdraaien</p> <p>Serrez les fixations</p>		<p>Pencil Mark</p> <p>Marcar con lápiz</p> <p>Stiftmarkierung</p> <p>Marcar com lápis</p> <p>Segno a matita</p> <p>Potloodmerkteken</p> <p>Marquage au crayon</p>
	<p>Loosen Fastener</p> <p>Aflojar elemento de fijación</p> <p>Befestigungsteil lösen</p> <p>Desapertar fixador</p> <p>Allentare il fissaggio</p> <p>Bevestiging losdraaien</p> <p>Desserrez les fixations</p>		<p>Drill Hole</p> <p>Perforar</p> <p>Bohrloch</p> <p>Fazer furo</p> <p>Praticare un foro</p> <p>Gat boren</p> <p>Percez un trou</p>
	<p>Phillips Screwdriver</p> <p>Destornillador Phillips</p> <p>Kreuzschlitzschraubendreher</p> <p>Chave de fendas Phillips</p> <p>Cacciavite a stella</p> <p>Kruiskopschroevendraaier</p> <p>Tournevis à pointe cruciforme</p>		<p>Adjust</p> <p>Ajustar</p> <p>Einstellen</p> <p>Ajustar</p> <p>Regolare</p> <p>Afstellen</p> <p>Ajuster</p>
	<p>Open-Ended Wrench</p> <p>Llave de boca</p> <p>Gabelschlüssel</p> <p>Chave de bocas</p> <p>Chiave a punte aperte</p> <p>Steeksleutel</p> <p>Clé à fourche</p>		<p>Hex-Head Wrench</p> <p>Llave de cabeza hexagonal</p> <p>Sechskantschlüssel</p> <p>Chave de cabeça sextavada</p> <p>Chiave esagonale</p> <p>Zeskantsleutel</p> <p>Clé à tête hexagonale</p>

TOOLS REQUIRED FOR INSTALLATION



PARTS



Installing Mount to Wall



WARNING: IMPROPER INSTALLATION CAN LEAD TO MOUNT FALLING CAUSING SERIOUS PERSONAL INJURY OR DAMAGE TO EQUIPMENT! It is the installer's responsibility to make sure the structure to which the mount is being installed is capable of supporting five times the combined weight of the mount and all attachments.

NOTE: The following instructions assume a suitable mounting structure and surface exists prior to installation.



CAUTION: To avoid personal injury, use an assistant when lifting, lowering or holding PNR during installation.

1. Determine mounting location taking into consideration display size and PNR's range of movement.
2. Using a stud sensor locate two wood studs 16" on center. (See Figure 1)

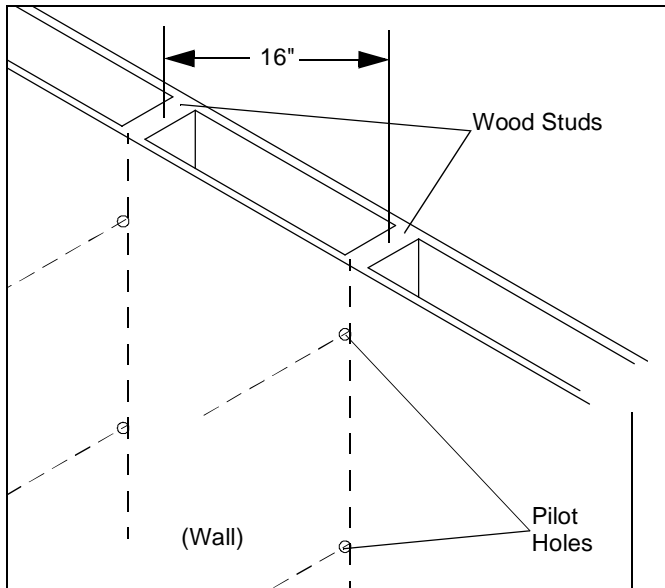


Figure 1

3. Place and level mount against wall, aligning mounting holes in upper and lower wall channels with studs. (See Figure 2)
4. Mark four mounting holes making sure mounting holes are located as close as possible to center of studs. (See Figure 2)

5. Drill four 7/32" pilot holes where the mounting holes were marked. (See Figure 2)

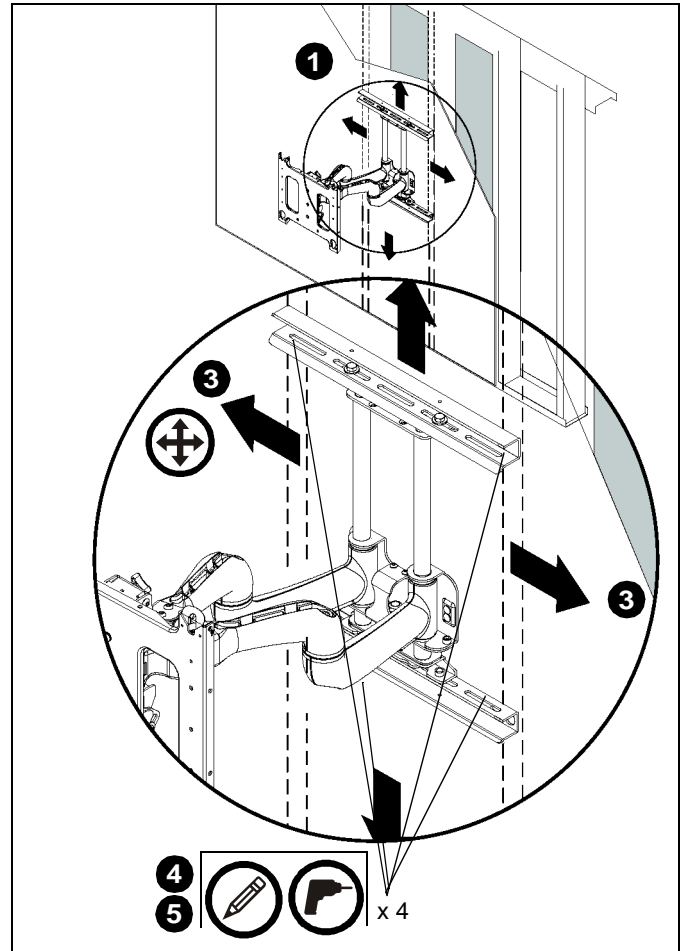


Figure 2

6. Install two 5/16" x 2-1/2" lag bolts (H) and two .850x.385x.135" washers (G), through mounting holes in upper wall channel and into pilot holes. DO NOT tighten at this time. (See Figure 3)
7. Place mount against wall aligning mounting holes in upper wall channel with lag bolts, and hang mount on lag bolts making sure washers are located in front of mount.
8. Adjust mount lateral position left until lag bolts are seated in mounting slots in upper wall channel. (See Figure 3)
9. Install two 5/16" x 2-1/2" lag bolts (H) and two .850x.385x.135" washers (G), through mounting holes in lower wall channel and into pilot holes. (See Figure 3)
10. Tighten all hardware. DO NOT over tighten!

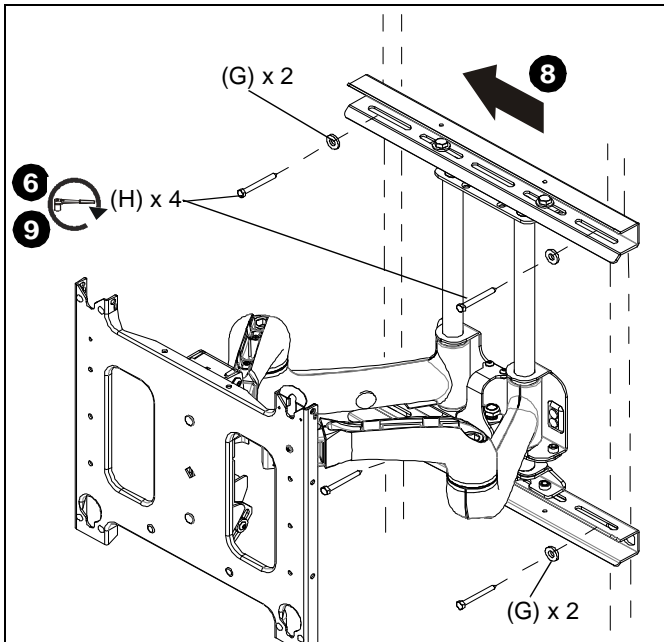


Figure 3

Adjusting PNR Height

NOTE: Height adjustment range up to 1.08 inches.

1. Check PNR for the desired height. If needed, use the adjustment wrench (E) to adjust the PNR height. (See Figure 4)
 - Turn adjustment nut clockwise to lower the unit height, or
 - Turn adjustment nut counterclockwise to raise the unit height.

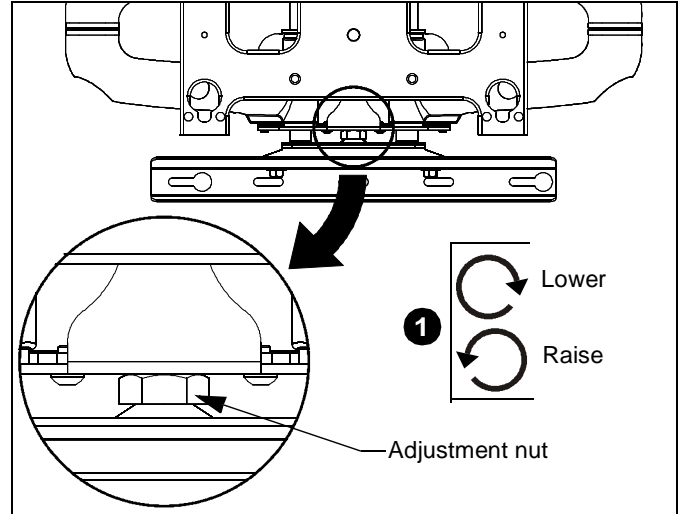


Figure 4

Installing Covers and End Caps

NOTE: The covers and end caps have pressure fitting ends that lock into place with each other.

1. Install cover (B) over the top bracket. (See Figure 5)
2. Install end caps (C and D) into the cover and top bracket. (See Figure 5)
3. Repeat Steps 1 and 2 for the lower mounting bracket. (See Figure 5)

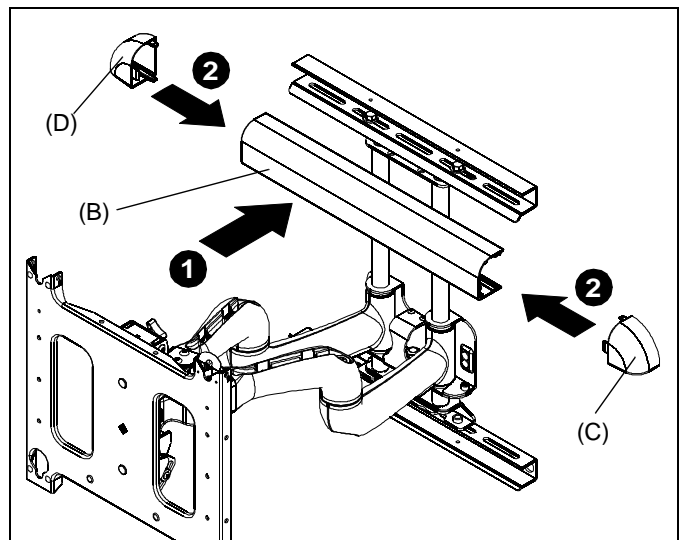


Figure 5

Mounting the Display



WARNING: IMPROPER INSTALLATION CAN LEAD TO MOUNT FALLING CAUSING SEVERE PERSONAL INJURY OR DAMAGE TO EQUIPMENT. Displays can weigh in excess of 40 lbs (18.1kg). ALWAYS use two people and proper lifting techniques when installing display.

1. Install PSBU interface bracket (K - included with PNRU only) to display using hardware and installation instructions included with PSBU bracket.
2. Move faceplate to extended position by grasping faceplate and pulling outward away from wall.



WARNING: IMPROPER INSTALLATION CAN LEAD TO MOUNT FALLING CAUSING SEVERE PERSONAL INJURY OR DAMAGE TO EQUIPMENT. Make sure mounting buttons on display are properly seated in mounting holes in faceplate.

3. While supporting both sides of display, align four mounting buttons on display or interface bracket with four mounting holes in faceplate. (See Figure 6) and (See Figure 7)
4. Lower display into place listening for audible "click" to ensure recessed area of mounting buttons are properly seated in lower area of mounting holes and ClickConnect mechanism engages. (See Figure 6) and (See Figure 7)

NOTE: Holes are provided in the faceplate for use with a padlock or similar locking device, if desired. In addition, the pin and nut may be removed from the upper holes and moved to the lower holes for use as a more permanent locking device. (See Figure 7)

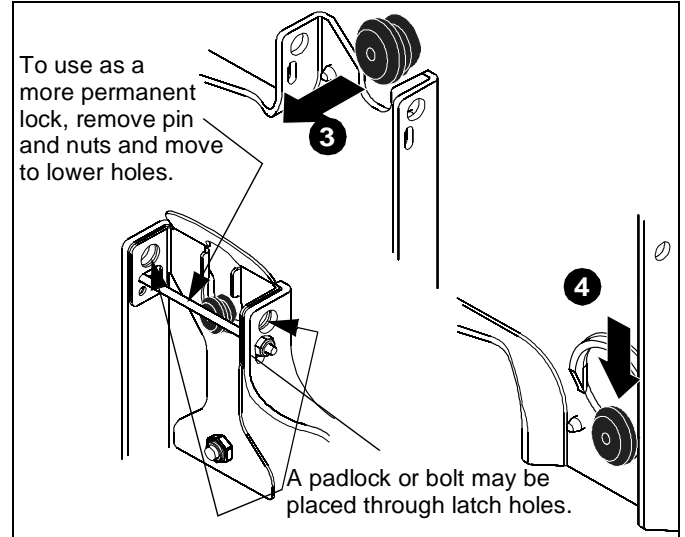


Figure 7

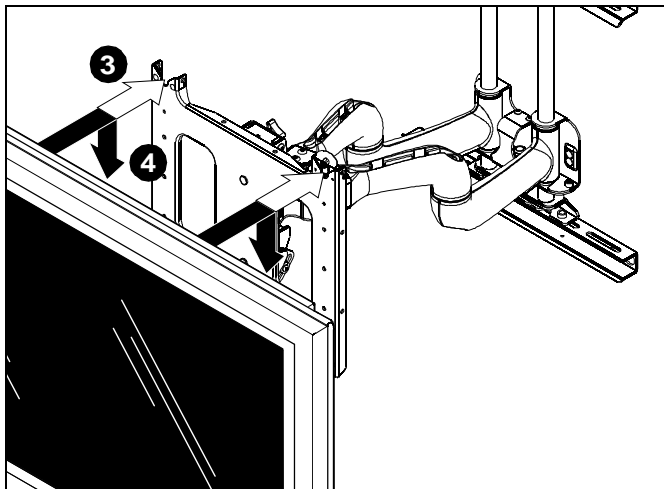


Figure 6

Cable Management



WARNING: IMPROPER INSTALLATION CAN LEAD TO SERIOUS PERSONAL INJURY OR DAMAGE TO EQUIPMENT! Make sure cables do not run through pinch points.

1. Thread cable ties (J) under cable clamps in mount arms. (See Figure 1)

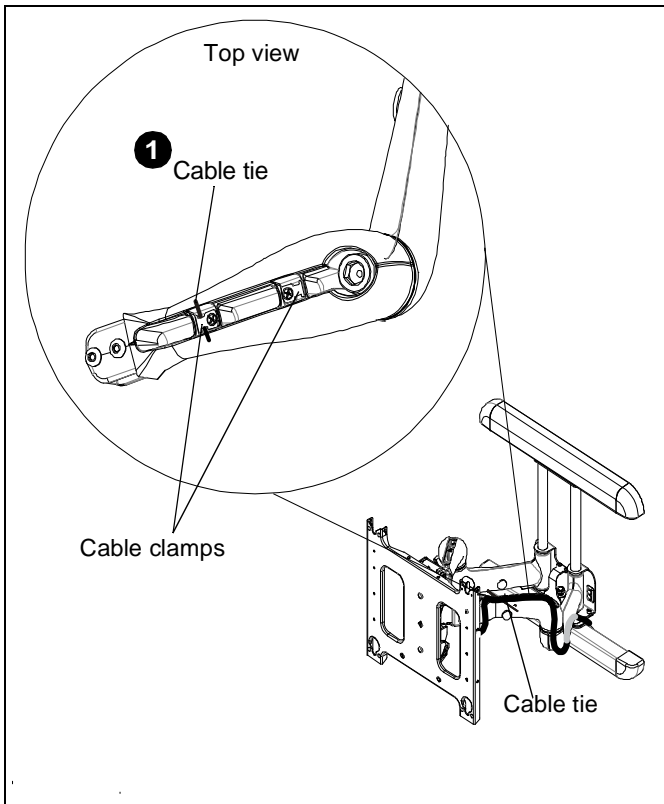


Figure 8

2. Route power/audio/video cables through the cable channel in top arm (See Figure 8), allowing sufficient slack in cables for left / right movement of display and swing arm, as well as swing arm extension and retraction.
3. Secure cables to top arm using two cable ties (J).
4. Repeat Steps 1 through 3, as necessary, for remaining top arm and lower arms.



WARNING: IMPROPER INSTALLATION CAN LEAD TO SERIOUS PERSONAL INJURY OR DAMAGE TO EQUIPMENT! DO NOT route cables through holes in faceplate.

Tension Adjustments

Vertical Tilt Tension Adjustment

1. With display mounted, check for desired vertical tilt tension.
2. Adjust the Centris Select knob until desired vertical tilt tension is obtained. (See Figure 9)
3. To lock the mount at the desired vertical tilt, tighten the vertical tilt lock screw. (See Figure 10)

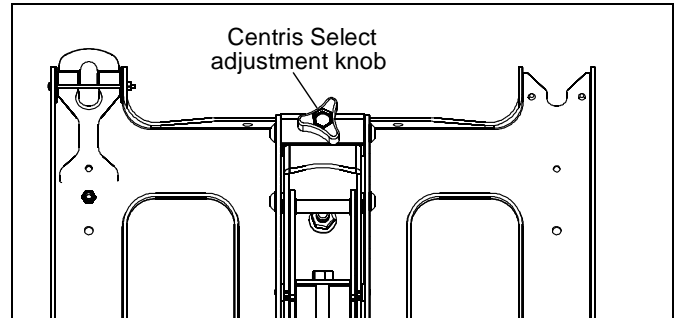


Figure 9

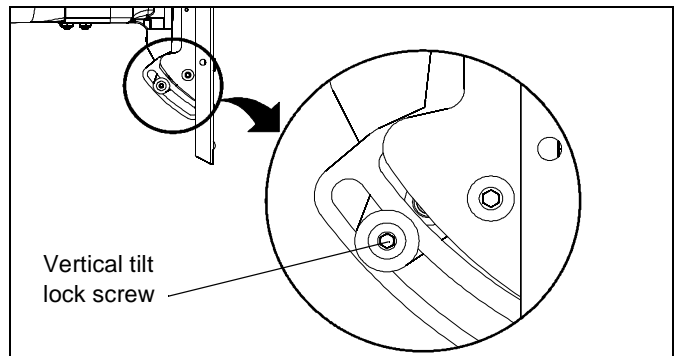


Figure 10

Swivel Tension Adjustment



CAUTION: DO NOT OVER TIGHTEN SWIVEL ADJUSTMENT NUT. Over tightening swivel adjustment nut will cause excessive wear and may distort adjustment components.

1. Using a 9/16" wrench (not provided), slightly tighten or loosen swivel tension adjustment nut. (See Figure 11)
2. Repeat until desired tilt tension is obtained.

Roll Tension Adjustment

1. If necessary, loosen or tighten roll tension adjustment nut. (See Figure 11)
2. Repeat until desired rotational tilt tension is obtained.

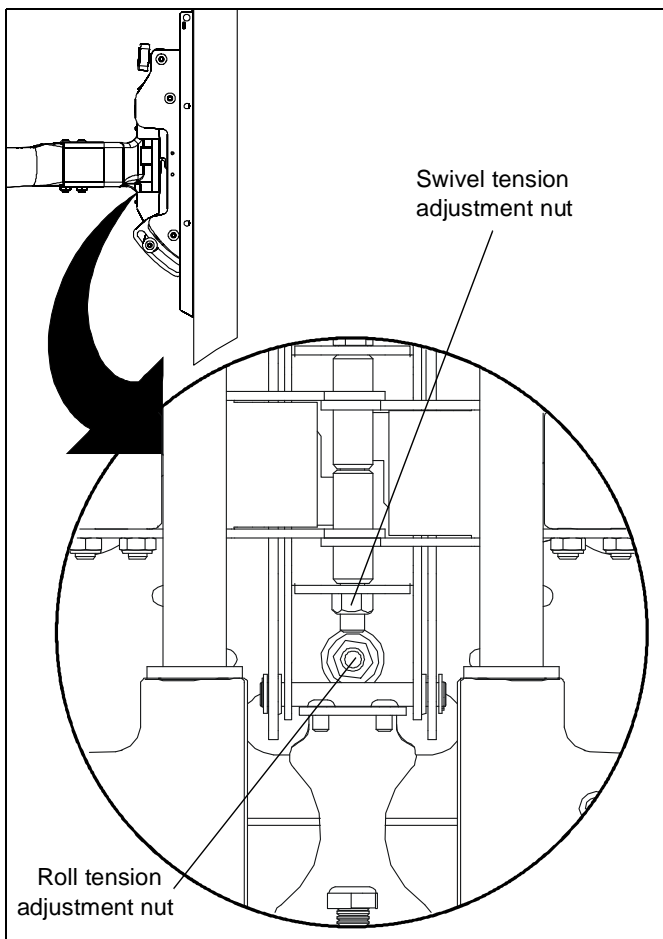


Figure 11

Swing Arm Adjustments

The dual swing arms are shipped installed in the center of the top and bottom mounting brackets, which is the standard mounting configuration.

The top and bottom mounting brackets have slotted holes, allowing for lateral adjustment of the dual swing arms.

After installing top and bottom mounting brackets between two wood studs 16" on center, the swing arms can be adjusted or moved off center, depending on the location of the mount, size of display, and lateral movement needed to rotate the display.

The swing arms can be adjusted, as follows:

- **Adjusting the Swing Arms Off-Center**
With no disassembly required, you can adjust the swing arms up to 1-inch to the left of center or up to 1-inch to the right of center.
- **Reconfiguring the Swing Arms Left of Center**
With some disassembly and reassembly required, you can move the swing arms to the left of center by reconfiguring the mount. Use the first and third slotted holes in the top and bottom mounting brackets.
- **Reconfiguring the Swing Arms Right of Center**
With some disassembly and reassembly, you can move the swing arms to the right of center by reconfiguring the mount. Use the third and fifth slotted holes in the top and bottom mounting brackets.

Adjusting the Swing Arms Off Center

1. Remove the display from the mount.
2. Loosen four bolts (two on the top and two on the bottom) securing the swing arm assembly to top and bottom mounting brackets (See Figure 12).
3. Move the swing arm assembly left or right within slots to desired location.
4. Tighten the bolts.
5. Install the display on the mount.

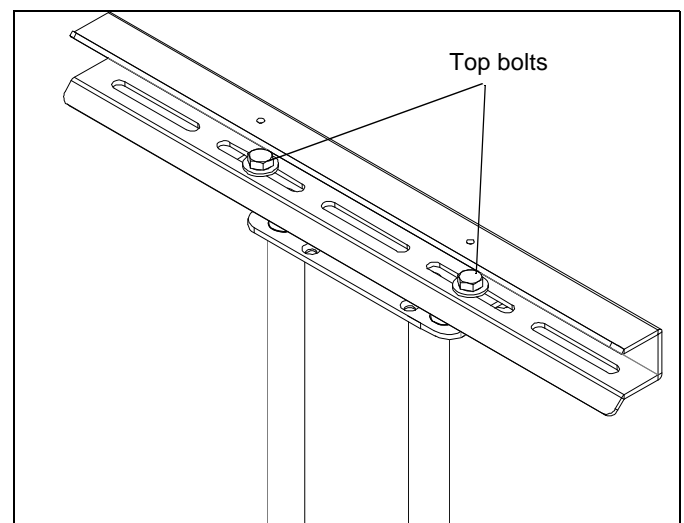


Figure 12

Reconfiguring the Swing Arms to Left or Right of Center

1. Remove the display from the mount.



WARNING: The next step will release the arm assembly from the mount. The arms and plate may fall if you are not careful.

2. Remove four bolts (two on the top and two on the bottom) securing the swing arm assembly to the top and bottom mounting brackets. (See Figure 13)

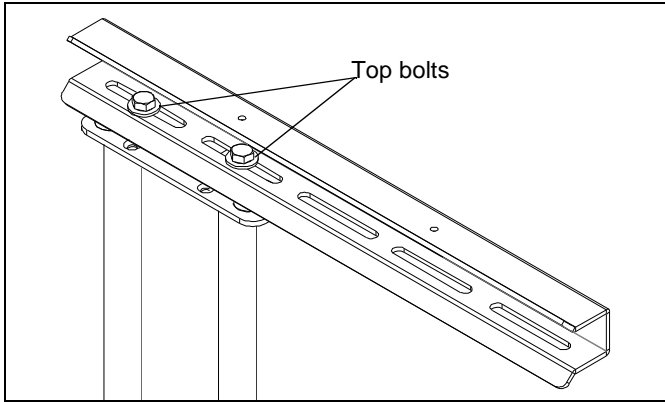


Figure 13

3. Move the swing arm assembly left or right within slots to desired location.
 - Left of Center (See Figure 13).
 - Right of Center (See Figure 14).
4. Install four bolts (two on the top and two on the bottom) to secure the swing arm assembly to the top and bottom mounting brackets.
5. Tighten the bolts.
6. Install the display on the mount.

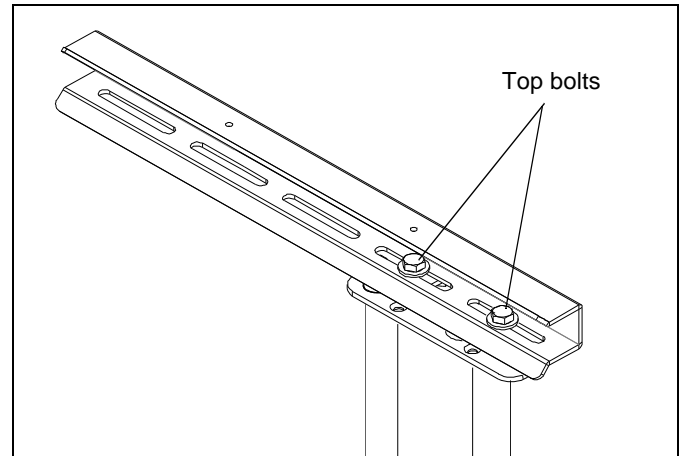


Figure 14

Swing Arm Tension Adjustment

Swing arm tension is pre-set at the factory and is adjusted to accommodate displays with weights near the top of the mount's capacity.

If smaller displays are used it may be difficult to reposition the display after mounting.

NOTE: The display must be mounted prior to adjusting swing arm tension.

To adjust swing arm tension to compensate for smaller display:

1. Place adjustment insert (F) into tension adjustment screw located at swing arm pivot point. (See Figure 15)

NOTE: The display may need to be repositioned in order to gain access to the tension adjustment screw(s).

2. Use the adjustment wrench (E) provided with the mount, turn adjustment insert clockwise to increase swing arm tension (See Figure 16) or counterclockwise to reduce swing arm tension. (See Figure 17)

NOTE: Small adjustments of 1/8 turn or less are typically all that is required to achieve desired tension.

3. Check swing arm tension. If desired tension is present, tension adjustment is complete. If additional tension adjustment is required, repeat steps 1 and 2 until desired tension is achieved.

NOTE: If changing from a smaller display to a larger display it may be necessary to increase swing arm tension.

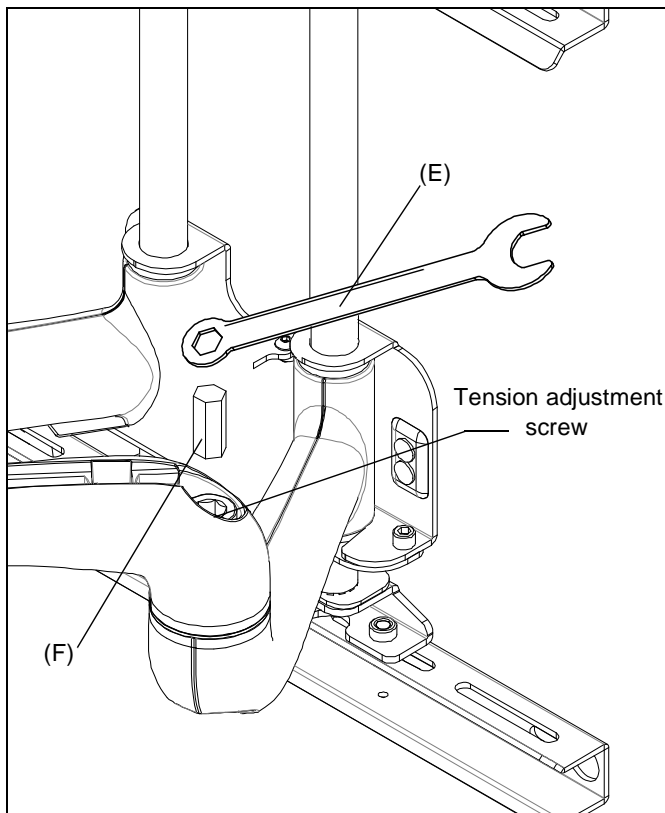


Figure 15

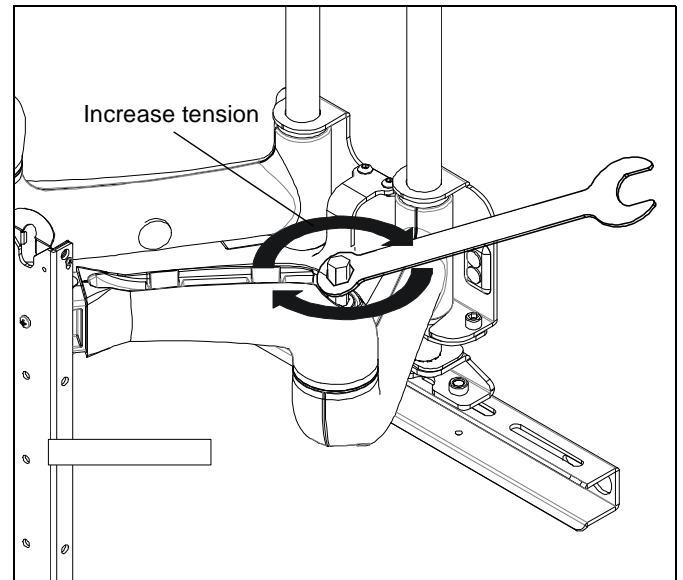


Figure 16

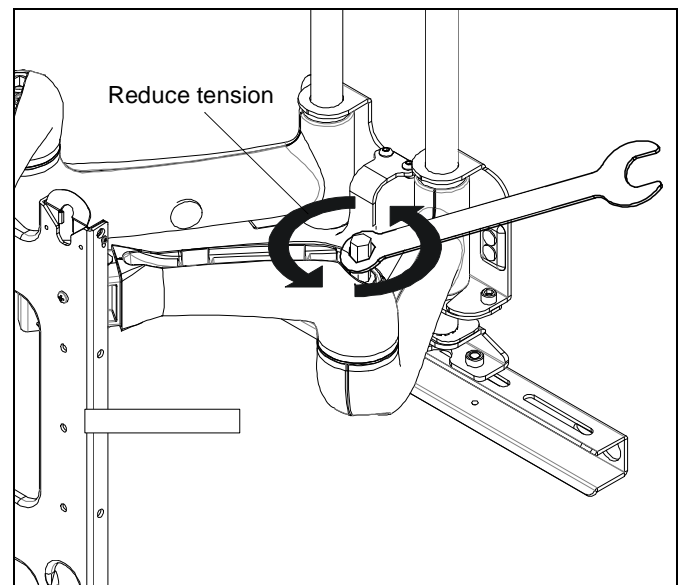


Figure 17

Removing Display from Mount

1. Remove bolt or padlock from faceplate (if used).

NOTE: The pin may have been used as a more permanent locking device. If so, remove nut and pin and move from the lower holes to the upper holes.

2. Pull back on flag on upper mounting hole and press pin down into "Open" position. (See Figure 18)



WARNING: DISPLAY MAY WEIGH IN EXCESS OF 40 LBS! Always use two people and proper lifting techniques when installing or positioning display on mount.

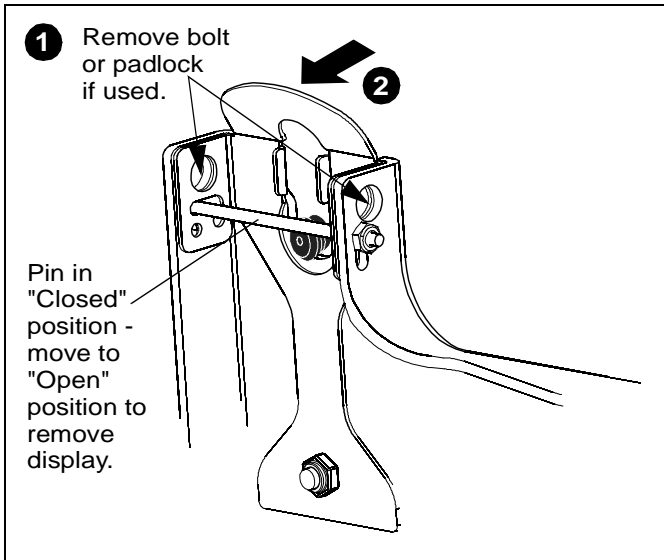


Figure 18

3. Carefully lift display from mount
4. Lift up on pin and place flag back against faceplate to return it to "Closed" position. (See Figure 19)

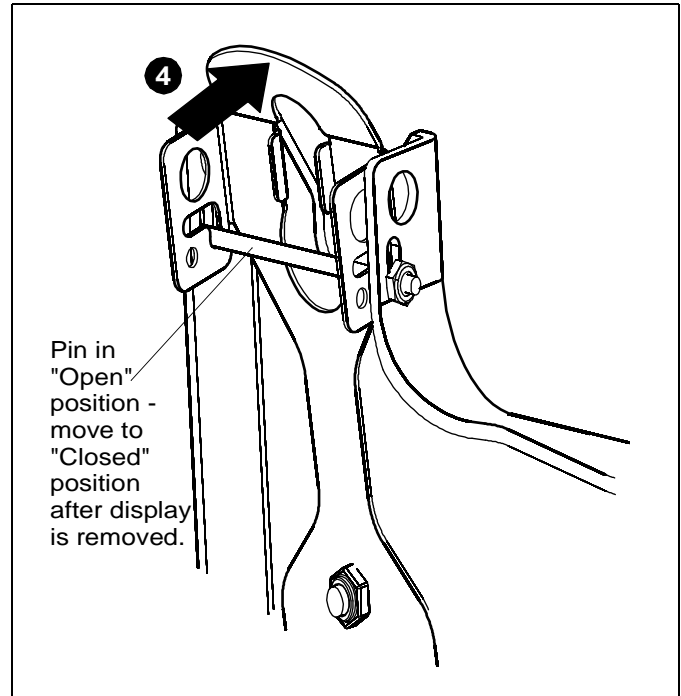


Figure 19



Our Mounts. **Your Vision.**

Chief, a products division of
Milestone AV Technologies

8800-002618 Rev00
©2014 Milestone AV Technologies
www.chiefmfg.com
07/14

USA/International	A 6436 City West Parkway, Eden Prairie, MN 55344
	P 800.582.6480 / 952.225.6000
	F 877.894.6918 / 952.894.6918
Europe	A Franklinstraat 14, 6003 DK Weert, Netherlands
	P +31 (0) 495 580 852
	F +31 (0) 495 580 845
Asia Pacific	A Office No. 918 on 9/F, Shatin Galleria 18-24 Shan Mei Street Fotan, Shatin, Hong Kong
	P 852 2145 4099
	F 852 2145 4477

