



**OWNERS MANUAL
MANUAL DEL USUARIO
NOTICE D'UTILISATION**

**Model No.
Modelo No.
Modèle No.**

45-02114

CAUTION:
Read Rules for
Safe Operation
and Instructions
Carefully

PRECAUCION:
Lea cuidadosamente
los Procedimientos e
Instrucciones para la
Operación Segura de la
Máquina.

ATTENTION:
Lire et suivre attentivement
les instructions et consignes
de sécurité de cette notice.

- Safety
- Assembly
- Operation
- Maintenance
- Parts
- Seguridad
- Montaje
- Operación
- Mantenimiento
- Piezas de Repuesto
- Sécurité
- Assemblage
- Fonctionnement
- Maintenance
- Pièces de Rechange



**TOW BROADCAST SPREADER
ESPARCIDOR DE AMPLIO ALCANCE DE
REMOLQUE**

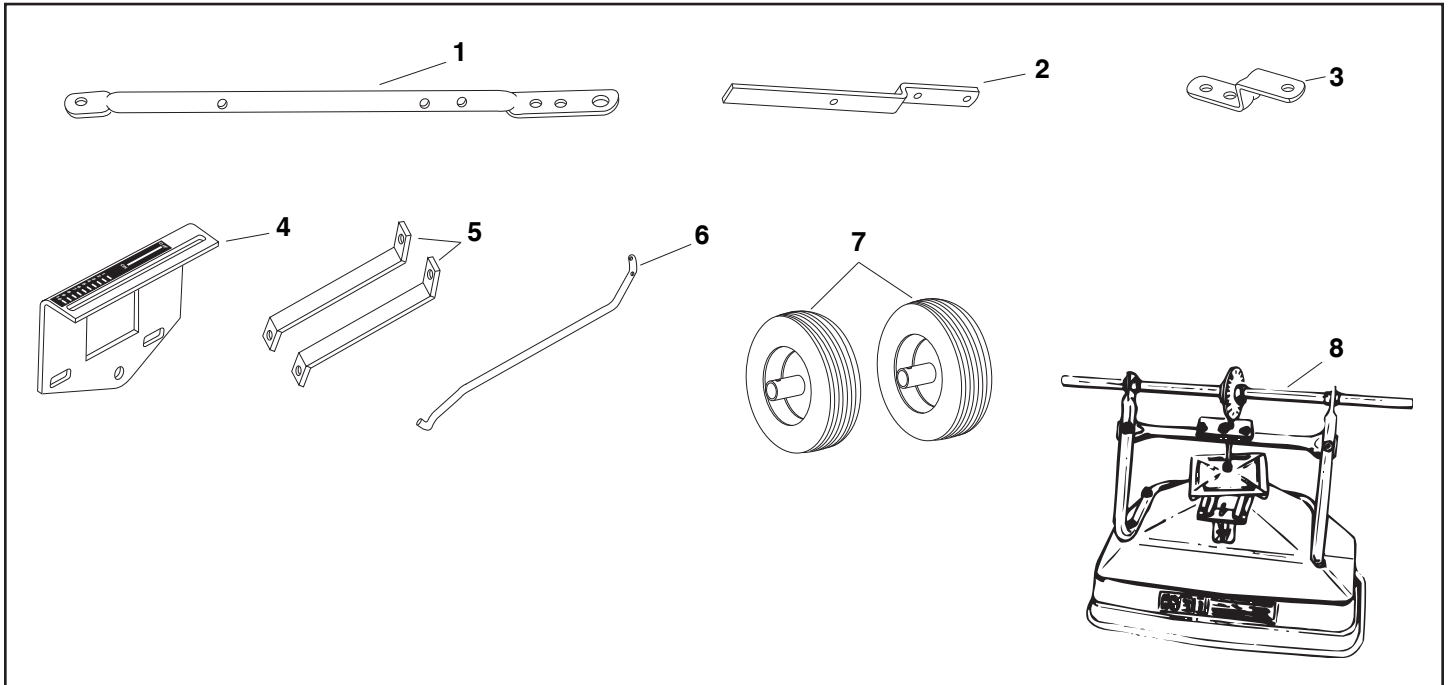
**ÉPANDEUR-AÉRATEUR À GRANDE PORTÉE À
REMORQUER**

SpeedEPart *the fastest way to purchase parts* www.speedepart.com

CARTON CONTENTS (Loose Parts in Carton)

CONTENIDO DE LA CAJA (Partes Sueltas en la Caja)

CONTENU DU CARTON (Pièces en Vrac Dans le Carton)



ENGLISH

1. Hitch Tube
2. Flow Control Arm
3. Hitch Bracket
4. Flow Control Mount Bracket
5. Braces (2)
6. Flow Control Rod
7. Wheels (2)
8. Hopper Assembly
Hardware Pack (see page 3)

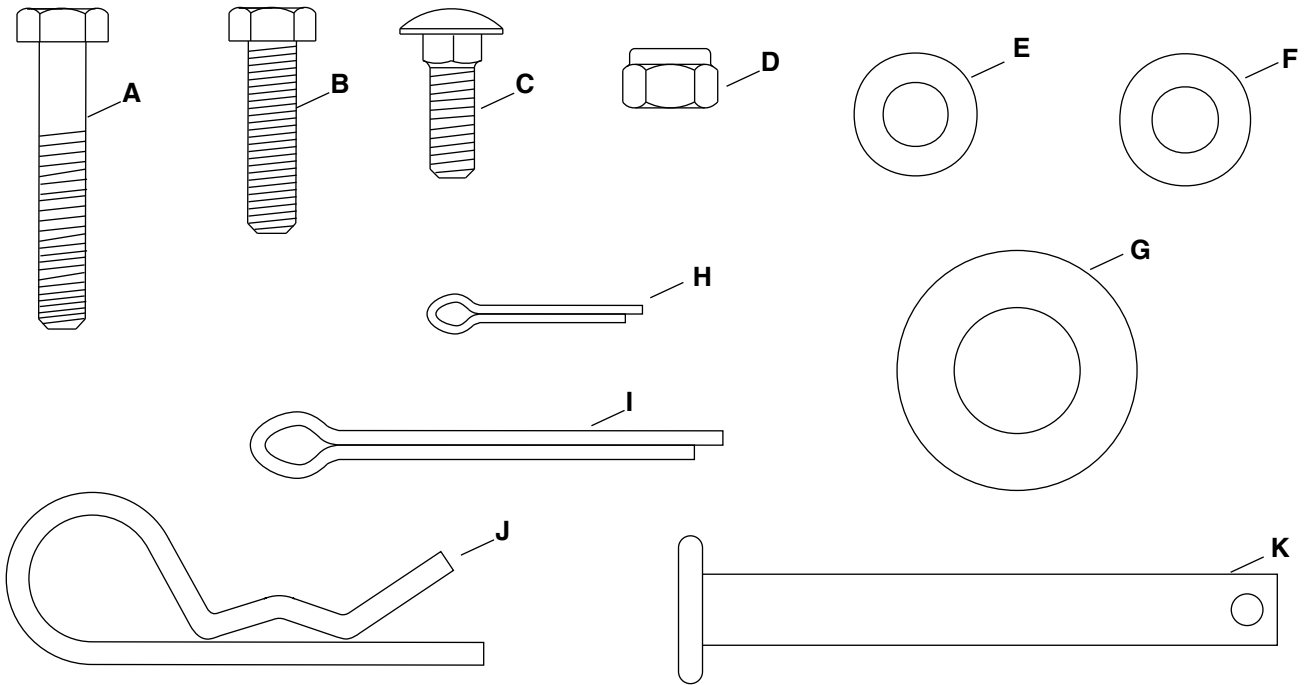
ESPAÑOL

1. Tubo de Enganche
2. Brazo del Control de Flujo
3. Soporte de Enganche
4. Soporte de Montaje del Control de Flujo
5. Puntales (2)
6. Barra de Control de Flujo
7. Ruedas (2)
8. Tapa de la Tolva
Paquete de Elementos de Ferrería
(vea la página 3)

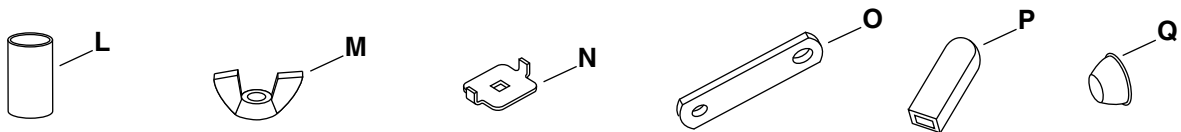
FRANÇAIS

1. Tube d'attelage
2. Bras de contrôle de débit
3. Support d'attelage
4. Support de montage du contrôle de débit
5. Entretoises d'attelage (2)
6. Bielle de contrôle de débit
7. Roues (2)
8. Couvercle de la trémie
Sac de visserie (voir page 3)

SHOWN FULL SIZE



NOT SHOWN FULL SIZE



REF.	QTY.	DESCRIPTION	REF.	QTY.	DESCRIPTION
A	5	Hex Bolt, 1/4-20 x 1-1/2"	J	1	Hair Cotter Pin
B	4	Hex Bolt, 1/4-20 x 1"	K	1	Hitch Pin
C	1	Carriage Bolt, 1/4-20 x 3/4"	L	2	Spacers
D	9	Nylock Nuts, 1/4-20 Thread	M	1	Nylon Wing Nut
E	4	Nylon Washer	N	1	Adjustable Stop
F	6	Flat Washer, 5/16"	O	1	Flow Control Link
G	4	Flat Washers, 5/8"	P	1	Grip
H	1	Cotter Pin, 3/32" x 3/4"	Q	2	Hub Cap
I	1	Cotter Pin, 5/32 x 2"			

RULES FOR SAFE OPERATION

Any power equipment can cause injury if operated improperly or if the user does not understand how to operate the equipment. Exercise caution at all times when operating equipment.

- Read the towing vehicle owners manual and towing vehicle safety rules. Know how to operate your tractor before using the broadcast spreader attachment.
- Read the chemical label instructions and cautions for handling and applying the chemicals purchased for spreading.
- Wear eye and hand protection when handling and when applying lawn or garden chemicals.
- Never operate tractor and spreader attachment without wearing substantial footwear, and do not allow anyone to ride or sit on spreader attachment frame.
- Never allow children to operate the tractor or spreader attachment, and do not allow adults to operate without proper instructions.
- Always begin with the transmission in first (low) gear and with the engine at low speed, and gradually increase speed as conditions permit. Maximum towing speed - 10 M.P.H.
- When towing broadcast spreader do not drive too close to a creek or ditch and be alert for holes and other hazards which could cause you to loose control of the broadcast spreader and tractor.
- Before operating vehicle on any grade (hill) refer to the safety rules in the vehicle owner's manual concerning safe operation on slopes. **Stay off steep slopes!**
- Follow maintenance and lubrication instructions as outlined in this manual.



LOOK FOR THIS SYMBOL TO POINT OUT IMPORTANT SAFETY PRECAUTIONS. IT MEANS — ATTENTION! BECOME ALERT! YOUR SAFETY IS INVOLVED.

ASSEMBLY INSTRUCTIONS

TOOLS REQUIRED FOR ASSEMBLY

- (1) Pliers
- (2) 7/16" Wrenches
- (1) Hammer

REMOVAL OF PARTS FROM CARTON

Remove all parts and hardware packages from the carton. Lay out all parts and hardware and identify using the illustrations on pages 2 and 3.

1. Turn the spreader upside down as shown in figure 1.

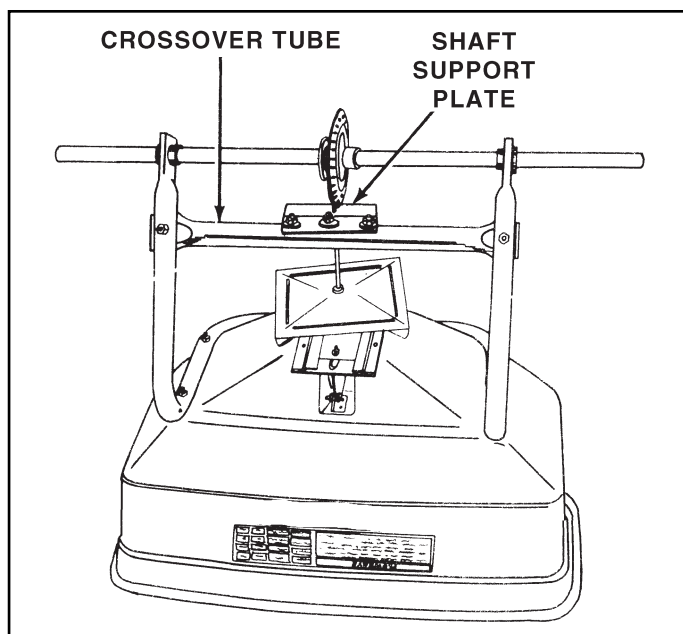


FIGURE 1

ENGLISH

2. Assemble the two hitch braces to the inside of the hopper frame, one on each side, using two 1/4" x 1-1/2" hex bolts (A) and two 1/4" nylock nuts (D). **DO NOT TIGHTEN YET.** See figure 2.
3. Remove the nut from the middle bolt in the crossover tube and shaft support plate. Leave the bolt in place. See figure 2.
4. Assemble the hitch tube onto the middle bolt and secure it with the same nut you removed. **DO NOT TIGHTEN YET.** See figure 2.

IMPORTANT: The hitch tube must attach to the side of the crossover tube opposite the shaft support plate.

5. Assemble the two hitch braces to the hitch tube using a 1/4" x 1-1/2" hex bolt (A) and a 1/4" nylock nut (D). **DO NOT TIGHTEN YET.** See figure 2.
6. **Tighten** the nuts and bolts fastening the hitch braces to the hopper frame and the hitch tube, then tighten the middle lock nut fastening the hitch tube to the crossover tube. **DO NOT COLLAPSE TUBES WHEN TIGHTENING.**

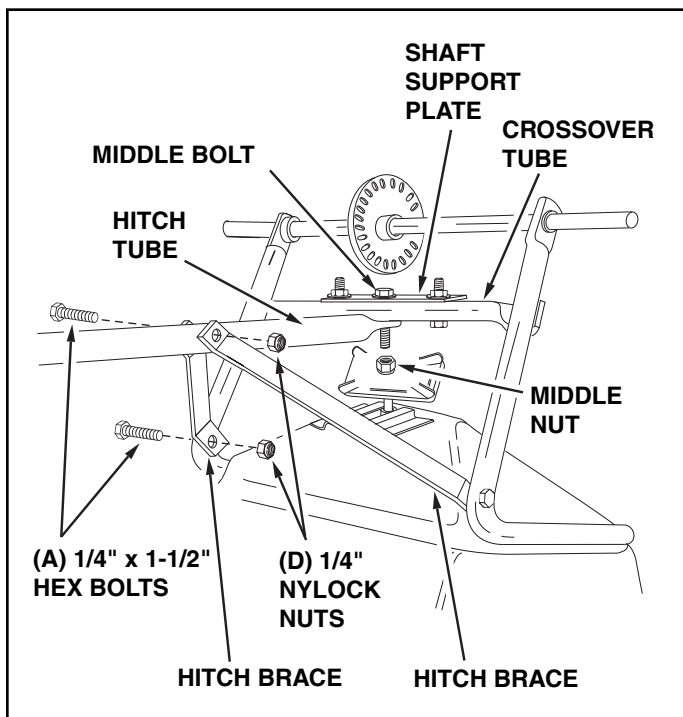


FIGURE 2

7. Select the end of the axle with no cross hole. Assemble a spacer (L), a 5/8" flat washer (G), a wheel (air valve facing out) and then another 5/8" flat washer (G) onto the axle. See figure 3.
8. Install a hub cap (Q) by tapping it carefully onto the axle with a hammer. See figure 3.

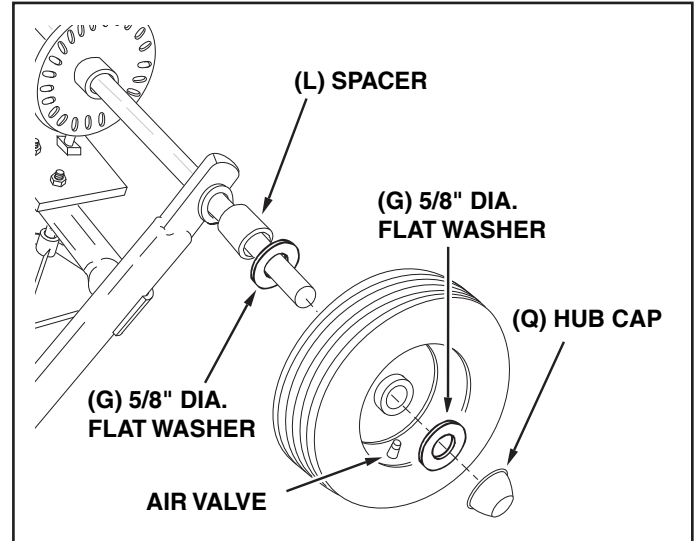


FIGURE 3

9. Select the end of the axle containing the cross hole. Assemble a spacer (L), a 5/8" flat washer (G), a wheel (air valve facing out) and then another 5/8" flat washer (G) onto the axle. Insert the 5/32" x 2" cotter pin (I) through the wheel hub and the axle and then spread the ends of the pin. See figure 4.
10. Install a hub cap (Q) by tapping it carefully onto the axle with a hammer. See figure 4.

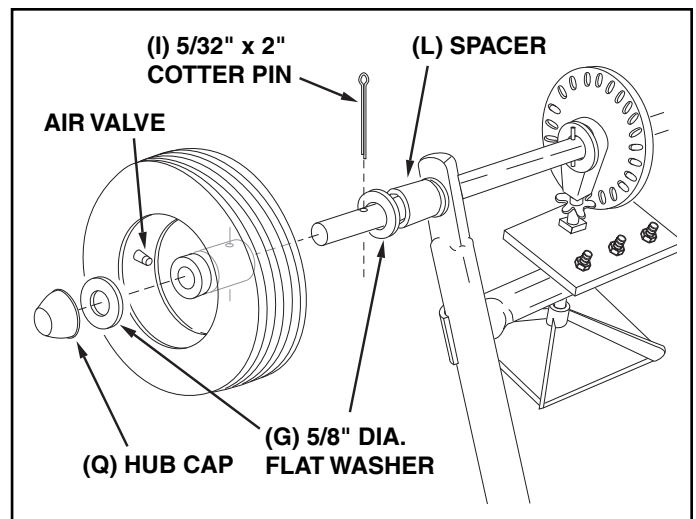


FIGURE 4

ENGLISH

11. Turn the spreader upright on its wheels.
12. Assemble the hitch bracket to the top of the hitch tube using two 1/4" x 1" hex bolts (B) and 1/4" nylock nuts (D). See figure 5.
13. Assemble the hitch pin (K) through the hitch bracket and the hitch tube and secure with the hair cotter pin (J). See figure 5.

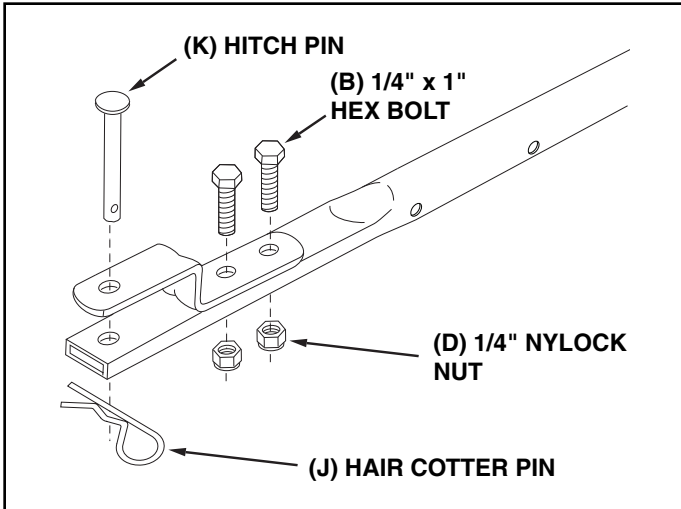


FIGURE 5

14. Assemble the flow control link (O) (end with small hole) to the flow control arm using a 1/4" x 1" hex bolt (B), a nylon washer (E) and a 1/4" nylock nut (D). **Tighten carefully.** The flow control link should not be loose but should pivot with no more than slight resistance. See figure 6.

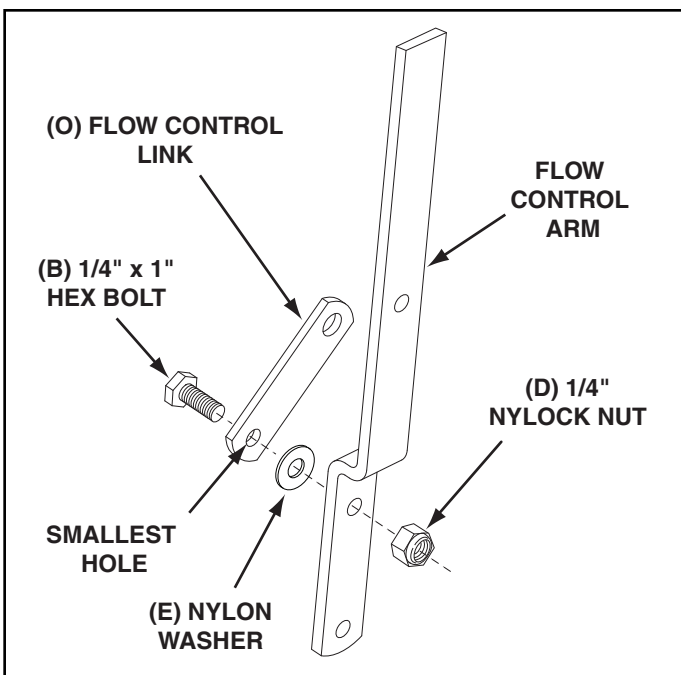


FIGURE 6

15. Assemble the flow control arm to the flow control mounting bracket using a 1/4" x 1" hex bolt (B), two nylon washers (E) and a 1/4" nylock nut (D) as shown in figure 7. **Tighten carefully.** The flow control arm should pivot with a slight resistance.
16. Assemble the vinyl grip (P). See figure 7.

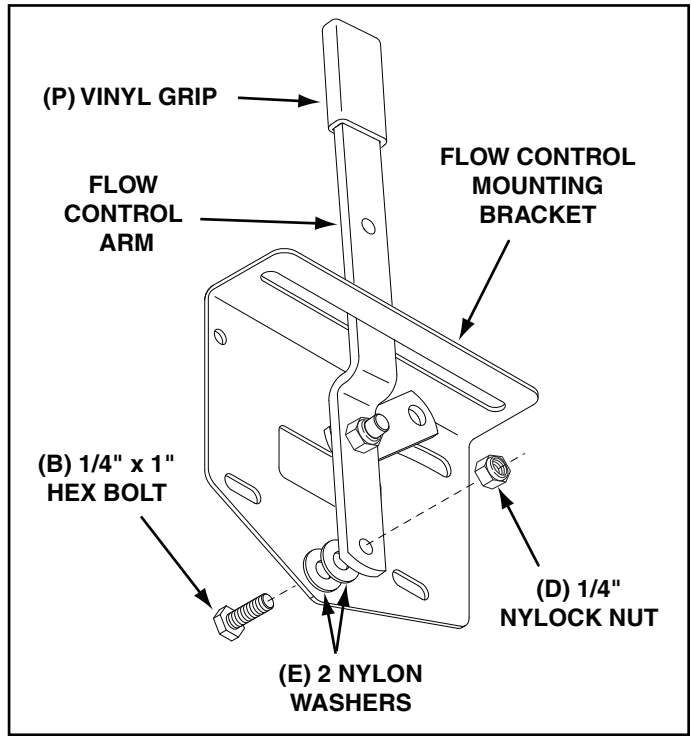


FIGURE 7

17. Place a 5/16" flat washer (F) onto the end of the flow control rod. Insert the end of the rod through the slot in the flow control mounting bracket and through the hole in the flow control link (O). Secure with a 3/32" x 3/4" cotter pin (H). See figure 8.

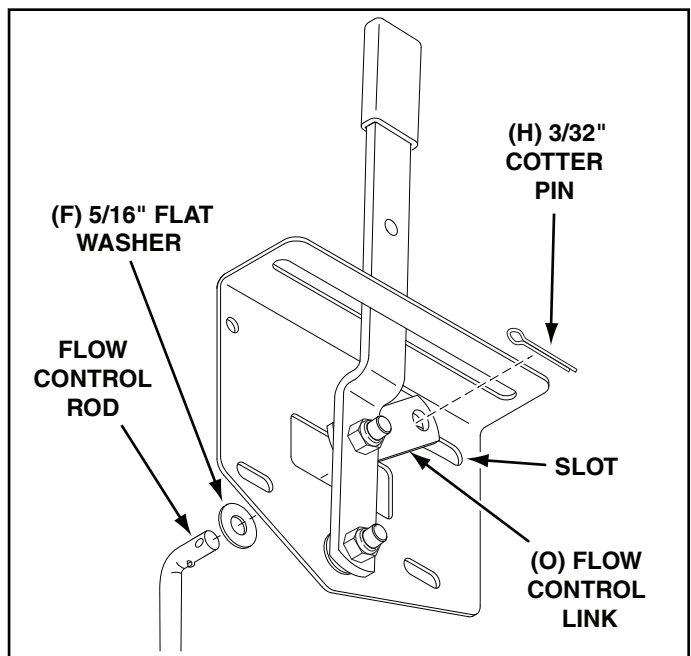


FIGURE 8

18. Hook the free end of the flow control rod through the hole in the slide gate bracket located near the bottom of the hopper. See figure 9.

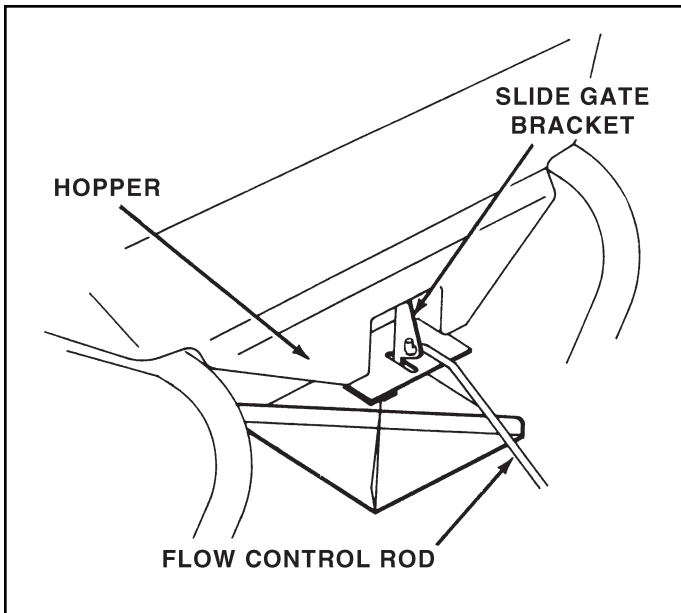


FIGURE 9

19. Assemble the flow control mounting bracket to the hitch tube using two 1/4" x 1-1/2" hex bolts (A), four 5/16" flat washers (F) and two 1/4" nylock nuts (D) as shown in figure 10. **Do not tighten at this time.**

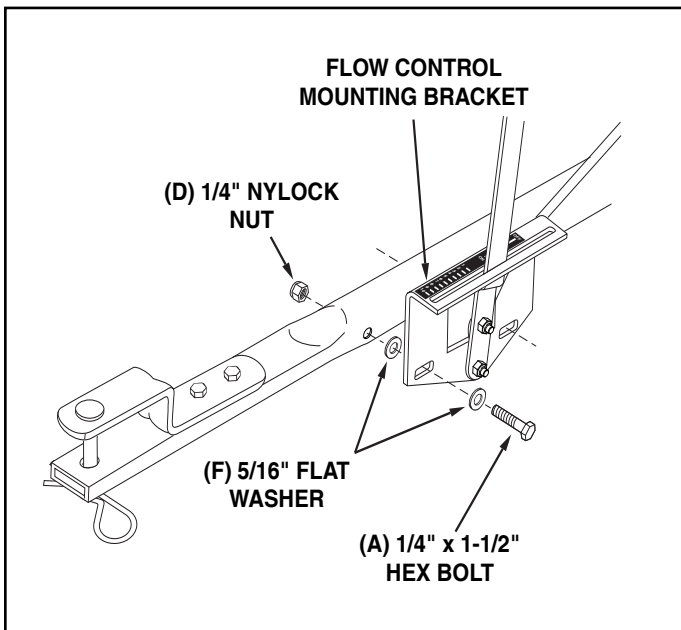


FIGURE 10

20. Place the adjustable stop (N) into the "ON" end of the slot in the top of the flow control mounting bracket. Secure with the 1/4" x 3/4" carriage bolt (C), a nylon washer (E), a 5/16" flat washer (F) and the nylon wing nut (M). See figure 11.

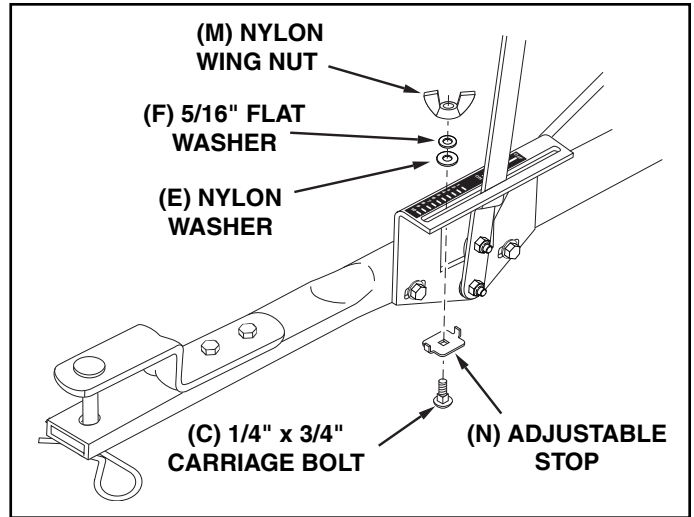


FIGURE 11

21. Position the flow control mounting bracket (figure 12).
- Push on flow control arm until it locks in "OFF" position.
 - Slide flow control mounting bracket along tube until closure plate in bottom of hopper just closes.
 - Snug the mounting bolts just enough to hold flow control mounting bracket in place.
 - Set adjustable stop at "5". Pull flow control arm against stop. Verify that closure plate has opened about half way.
 - If closure plate does not open half way, it may be closed too far at "OFF". Adjust position of flow control mounting bracket until closure plate will open about half way at "5" and still close when arm is locked in "OFF". **Tighten** mounting bolts.

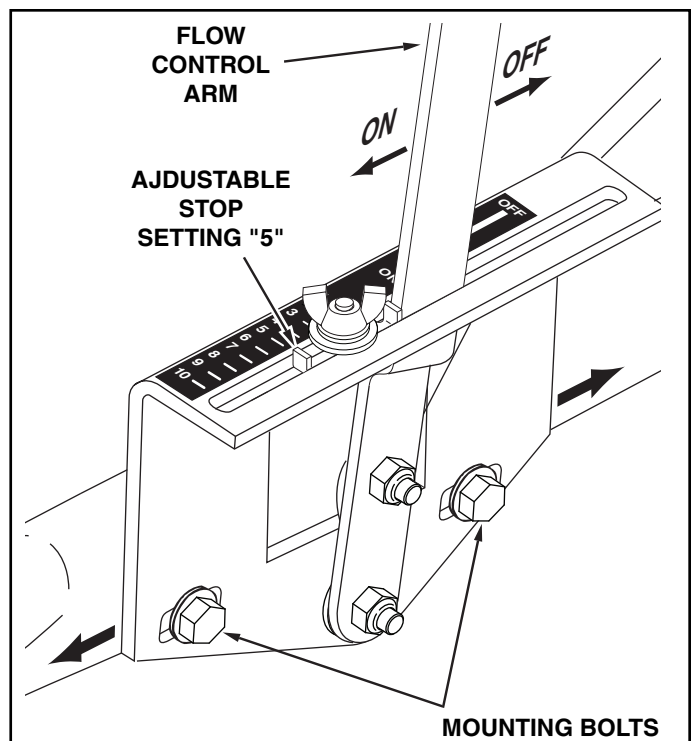


FIGURE 12

OPERATION

HOW TO USE YOUR SPREADER

SETTING THE FLOW CONTROL

(Refer to figure 12 on page 7.)

1. Loosen the nylon wing nut, set the adjustable stop to the desired flow rate setting and retighten the wing nut. The higher the setting number, the wider the opening in the bottom of the hopper.
2. Refer to the application chart on page 8 and to the instructions on the fertilizer bag to select the proper flow rate setting.
3. Pull the flow control arm against the adjustable stop for the on position and toward the hopper for the off position.

USING YOUR SPREADER

We do not recommend the use of any powdered lawn chemicals, due to difficulty in obtaining a satisfactory or consistent broadcast pattern.

1. Determine approximate square footage of area to be covered and estimate amount of material required.
2. Before filling the hopper make sure the flow control arm is in the off position and the closure plate is shut.
3. Break up any lumpy fertilizer as you fill the hopper.
4. Set the adjustable stop with the flow control arm still in the off position. Refer to the application chart on this page and to the instructions on the fertilizer bag to select the proper flow rate setting.
5. The application chart is calculated for light to heavy application at a vehicle speed of 3 mph, or 100 ft. in 23 seconds. A variation in speed will require an adjustment of the flow rate to maintain the same coverage. The faster you drive, the wider the broadcast width.
6. Always start the tractor in motion before opening closure plate.
7. Always shut the closure plate before turning or stopping the tractor.
8. If fertilizer is accidentally deposited too heavily in a small area, soak the area thoroughly with a garden hose or sprinkler to prevent burning of the lawn.
9. To insure uniform coverage, make each pass so that the broadcast pattern slightly overlaps the pattern from the previous pass as shown in figure 13. The approximate broadcast widths for different materials are shown in the application chart on this page.
10. When broadcasting weed control fertilizers, make sure the broadcast pattern does not hit evergreen trees, flowers or shrubs.
11. Heavy moisture conditions may require a cover over the hopper to keep contents dry. The vinyl cover (available as an accessory) acts as a wind and moisture shield, but should not be used as a rain cover. Refer to the parts list on page 19.

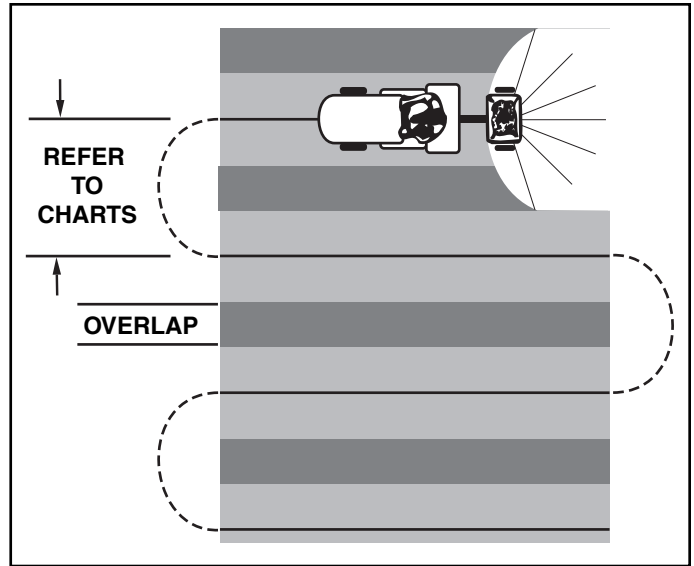


FIGURE 13

IMPORTANT: Application rates shown in the chart are affected by humidity and by the moisture content of the material (granular and pellet). Some minor setting adjustments may be necessary to compensate for this condition.

APPLICATION CHART

MATERIAL TYPE	FLOW SETTING	SPREAD WIDTH
<i>FERTILIZER</i>		
Powder	3 - 5	3' - 4'
Granular	3 - 5	8' - 10'
Pelleted	3 - 5	10' - 12'
Organic	6 - 8	6' - 8'
<i>GRASS SEED</i>		
Fine	3 - 4	6' - 7'
Coarse	4 - 5	8' - 9'
<i>ICE MELTER</i>	6 - 8	10' - 12'

OPERATING SPEED - 3 MPH. (100 ft. in 23 seconds)

MAINTENANCE

CHECK FOR LOOSE FASTENERS

1. Before each use make a thorough visual check of the spreader for any bolts and nuts which may have loosened. Retighten any loose bolts and nuts.

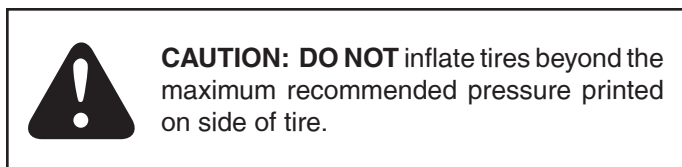
CHECK FOR WORN OR DAMAGED PARTS

2. Check for worn or damaged parts before each use. Repair or replace parts if necessary.

CHECK TIRE INFLATION

3. Check if tires are adequately inflated before each use. Do not inflate beyond maximum recommended pressure.

CLEANING



4. Rinse inside of hopper and exterior of spreader and dry off before storing.

LUBRICATE (See figure 14.)

5. Lightly apply automotive grease as needed to the sprocket and gear.
6. Oil the nylon bushings on the vertical sprocket shaft and on the axle at least once a year, or more often as needed.
7. Oil right hand (idler) wheel bearing at least once a year or more often as needed.

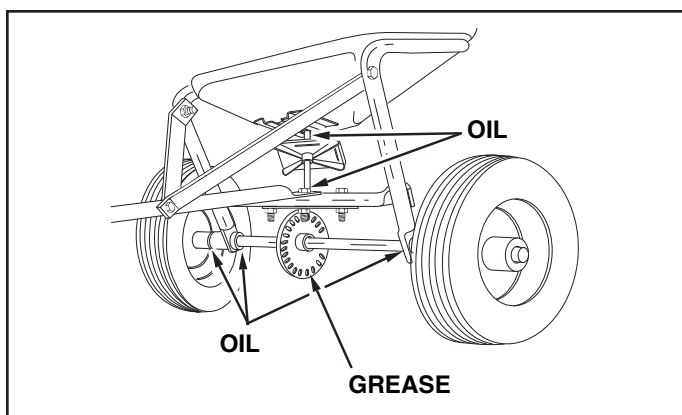


FIGURE 14

STORAGE

1. Rinse inside of hopper and exterior of spreader and dry off before storing.
2. Store in a clean, dry area.

SERVICE AND ADJUSTMENTS

1. If the axle, slotted gear and sprocket assembly is disassembled, mark down the positions of the parts as they are removed. The drive wheel and sprocket positions in relation to the slotted gear determine which direction the spreader plate will spin. Be sure to reassemble them in their original positions. (Refer to figure 4 on page 5.) Use shim washers (Ref. no. 21 on pages 18 and 19) as needed for minimum backlash. Add grease to gear and sprocket.
2. If the agitator hairpin becomes damaged or worn it can be replaced. See figure 15.

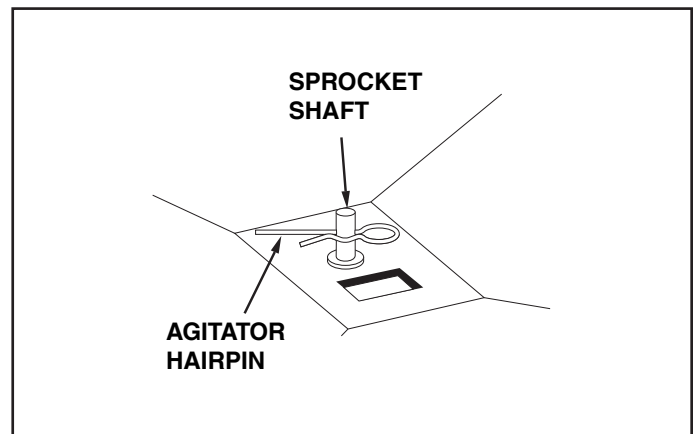
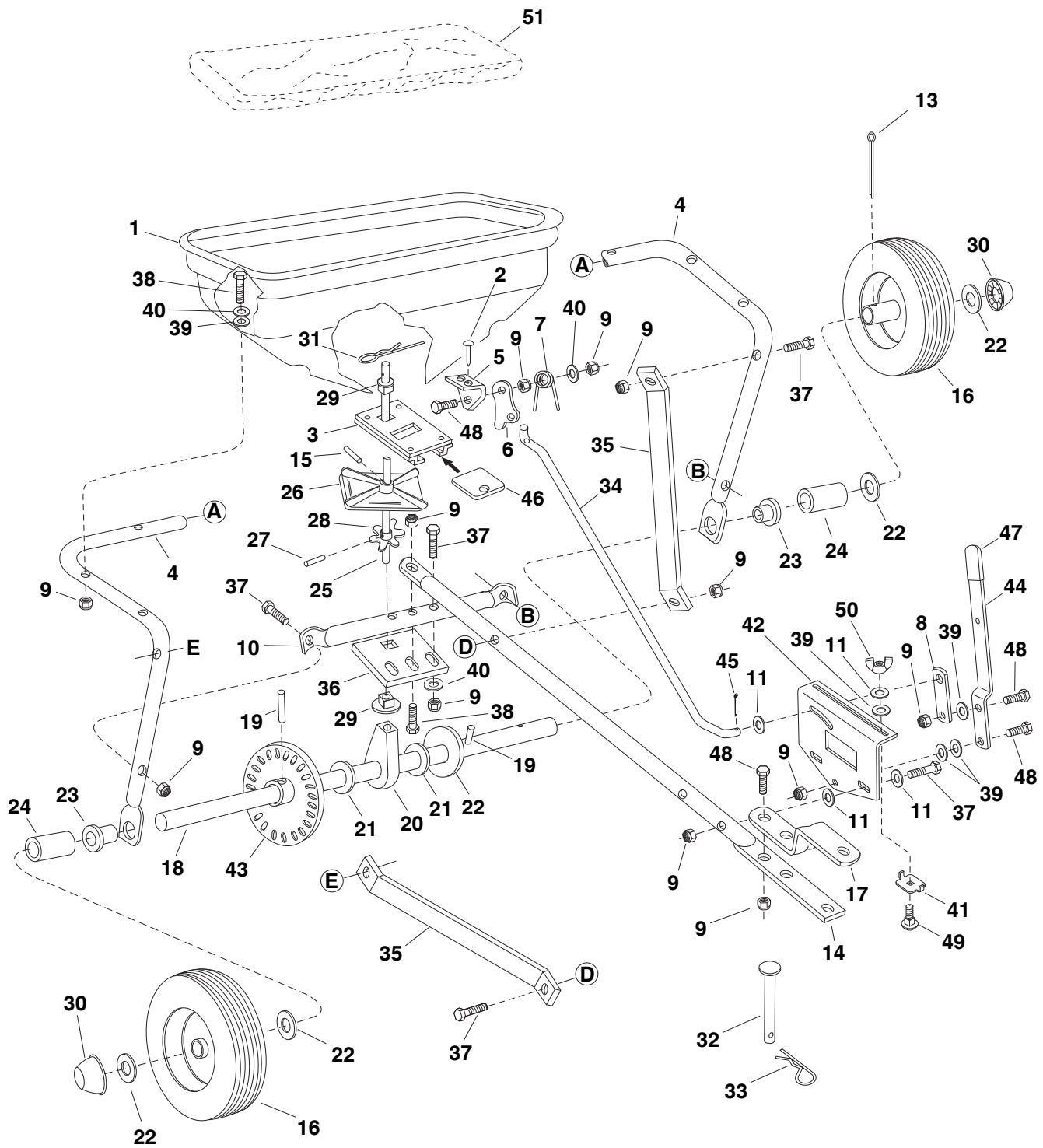


FIGURE 15

REPAIR PARTS FOR BROADCAST SPREADER MODEL 45-02114



REPAIR PARTS FOR BROADCAST SPREADER MODEL 45-02114

REF.	PART NO.	QTY.	DESCRIPTION	REF.	PART NO.	QTY.	DESCRIPTION
1	44466	1	Hopper	27	43850	1	Pin, Spring 1/8" Dia. x 5/8".
2	C-9M5732	2	Rivet, Pop	28	44468	1	Sprocket, 6 Tooth
3	62482	1	Ass'y, Guide Closure	29	44285	2	Bushing, Delrin
4	48842	1	Tube, Frame	30	48499	2	Hub Cap
5	23753	1	Slide Gate Angle Bracket	31	48934	1	Hairpin, Agitator
6	23758	1	Slide Gate Bracket	32	47623	1	Hitch Pin
7	44566	1	Spring, Torsion	33	43343	1	Hair Cotter Pin, 1/8"
8	24857	1	Flow Control Link	34	44469	1	Rod, Flow Control
9	47189	22	Nut, Nylock 1/4-20	35	23525	2	Brace, Hitch
10	48841	1	Tube, Crossover	36	23780	1	Shaft Support Plate
11	R19111116	6	Washer, 5/16 SAE	37	43648	9	Bolt, Hex 1/4-20 x 1-1/2"
13	47063	1	Pin, Cotter 5/32" x 2"	38	1509-69	7	Bolt, Hex 1/4-20 x 1-3/4"
14	44586	1	Tube, Hitch	39	1543-69	10	Washer, Nylon
15	46055	1	Pin, Spring 1/8" Dia. x 1" Lg.	40	43088	10	Washer, Flat 1/4" Std.
16	40880	2	Wheel	41	24858	1	Stop, Adjustable
17	23687	1	Bracket, Hitch	42	24855	1	Bracket, Flow Control Mount
18	25067	1	Shaft, Axle	43	48888	1	Gear, Slotted
19	44665	2	Pin, Spring 5/32" x 1-1/4"	44	24859	1	Flow Control Arm
20	48916	1	Bushing, Axle Shaft	45	44101	1	Cotter Pin 3/32" x 3/4" Lg.*
21	44125	4	Washer, Flat 5/8" x 1"	46	23533	1	Plate, Closure
22	R19212016	5	Washer, Flat 5/8" x 1-1/4"	47	43848	1	Grip, Flow Control Arm
23	741-0249	2	Bearing, Flange	48	43661	5	Bolt, Hex 1/4-20 x 1" Lg. *
24	48857	2	Tube, Spacer	49	44950	1	Bolt, Carriage 1/4-20 x 3/4"x 50
25	25305	1	Shaft, Sprocket	50	47141	1	Wing Nut, Nylon
26	04367	1	Spreader Plate	51	43962	1	Vinyl Cover (Optional)
					49095	1	Owner's Manual

*Purchase common hardware locally.

SpeedEPart *the fastest way to purchase parts* www.speedepart.com

SpeedEPart *the fastest way to purchase parts* www.speedepart.com

REPAIR PARTS

Agri-Fab, Inc.
303 West Raymond
Sullivan, IL. 61951
217-728-8388
www.agri-fab.com

This document (or manual) is protected under the U.S. Copyright Laws and the copyright laws of foreign countries, pursuant to the Universal Copyright Convention and the Berne convention. No part of this document may be reproduced or transmitted in any form or by any means, electronic or mechanical, including photocopying or recording, or by any information storage or retrieval system, without the express written permission of Agri-Fab, Inc. Unauthorized uses and/or reproductions of this manual will subject such unauthorized user to civil and criminal penalties as provided by the United States Copyright Laws.

© 1990 Agri-Fab, Inc.