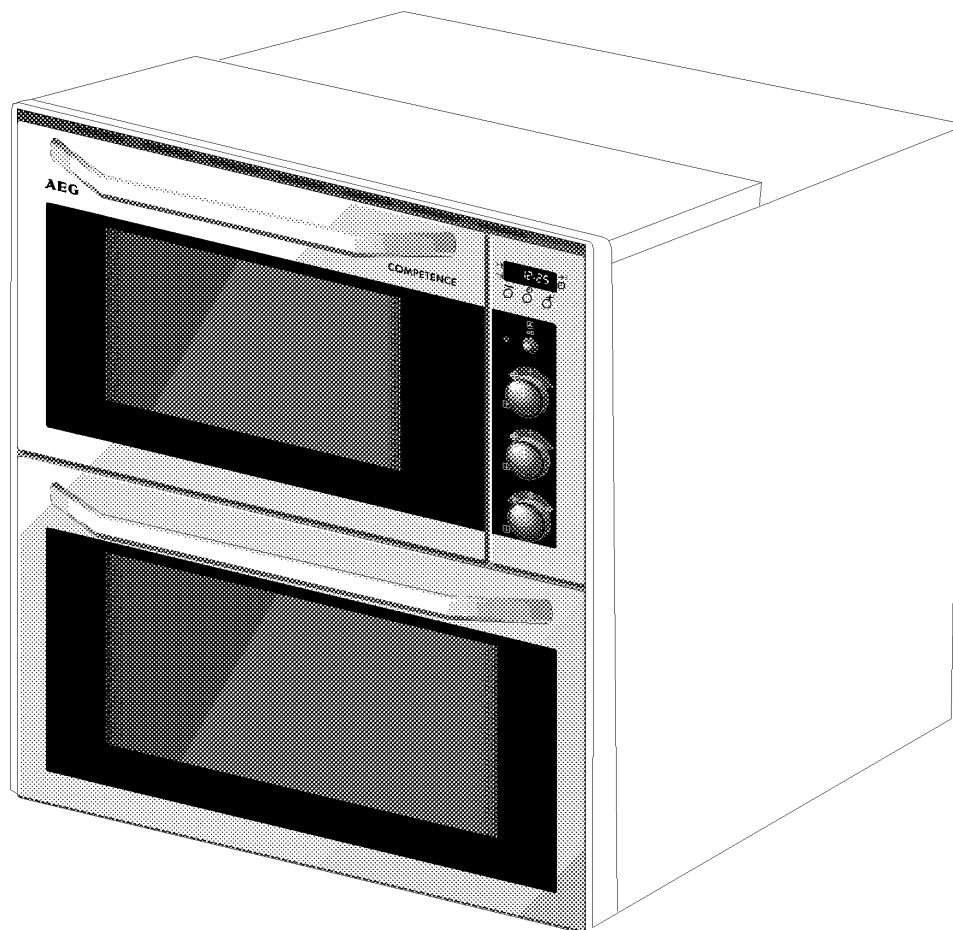


COMPETENCE 3210 BU

Built Under Double Oven

Operating And Installation
Instructions



IMPORTANT SAFETY INFORMATION

These warnings are provided in the interests of your safety. Ensure that you understand them all before installing or using the appliance. Your safety is of paramount importance. If you are unsure about any of the information in this book contact the Customer Care Department. Telephone 0870 5 350350

INSTALLATION

The appliance must be installed according to the instructions supplied. The installation work must be undertaken by a qualified electrician or competent person.

The appliance must be installed in an adequately ventilated room.

NOTE: It is imperative that the appliance is left in the base to protect both the appliance and the floor.

This appliance is heavy and care must be taken when moving it. **Do not** try to lift or move the appliance by pulling the door handles.

All packaging, both inside and outside the appliance must be removed before the appliance is used.

It is dangerous to alter the specifications or modify the appliance in any way.

After installation please dispose of the packaging with due regard for safety and the environment.

Your local authority can arrange this.

CHILD SAFETY

Do not allow young children to play with any part of the packaging.

This appliance is designed to be operated by adults. Young children must not be allowed to tamper with the controls or play near or with the appliance.

CAUTION: Accessible parts may be hot when the grill is in use. Young children should be kept away.

DURING USE

This appliance has been designed for domestic use to cook edible foodstuffs only and must not be used for any other purposes.

Take great care when heating fats and oils as they will ignite if they become too hot.

Never place plastic or any other material which may melt in or on the oven.

Do not stand too close to the oven or grill while in use as warm air will exhaust from the grill cavity and the vents on the front frame of the appliance.

Do not leave the grill pan handle in position when grilling and ensure oven gloves are used to remove and replace the handle, as it will become hot.

Always use oven gloves to remove and place food in the oven.

Ensure that all vents are not obstructed to ensure ventilation of the oven cavity.

Never line any part of the appliance with foil.

Never leave the appliance unattended when the oven door is open.

Do not place sealed cans or aerosols inside the oven. They may explode if they are heated.

Ensure that all control knobs are in the OFF position when not in use.

Do not stand on the open oven doors.

Do not hang towels, dishcloths or clothes from the appliance or its handles. They are a safety hazard.

The appliance and accessible parts especially around the grill area become hot when the appliance is in use.

Keep children away until it has cooled.

CLEANING AND MAINTENANCE

The appliance is heavy and care must be taken when moving it.

For hygiene and safety reasons this appliance should be kept clean at all times. A build-up of fats or other foodstuffs could result in a fire especially in the grill pan.

Do not leave the cookware containing foodstuffs, e.g. fat or oil in the appliance in case it is inadvertently switched on.

Always allow the cooling fan to cool the appliance down before switching off at the wall prior to carrying out any cleaning / maintenance work.

Only clean this appliance in accordance with the instructions given in this book.

SERVICE

Repairs should not be carried out by inexperienced persons as this may cause injury or serious malfunction. This appliance should be serviced by an authorised Service Engineer and only genuine approved spare parts should be used. Details of servicing and repair arrangements are supplied on page 34 of this book.



AT THE END OF THE APPLIANCE'S LIFE

When the time comes to dispose of your appliance please contact your local Council Authority. They can arrange to dispose of the appliance in a safe and controlled manner. The number will be in the telephone book.

Please read the instruction books carefully before use and retain for future reference.

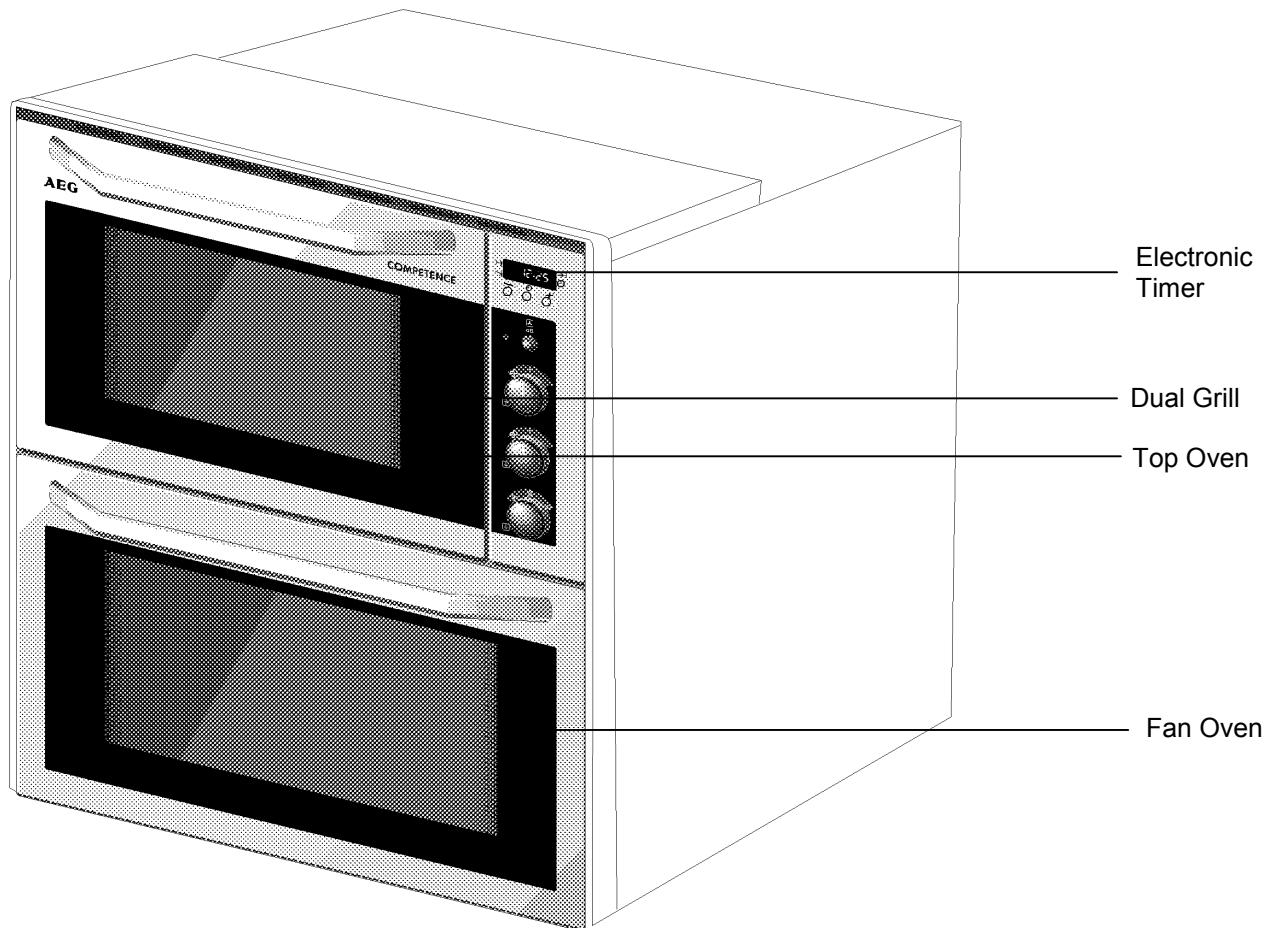
CONTENTS

FOR THE USER

Important Safety Information	2	Care and Cleaning	25
Description of the Appliance	4	Cleaning Materials	25
Getting to Know Your Oven	5	Cleaning the Outside of the Appliance	25
Before Using The Appliance	6	Cleaning the Brass Plated Handles (Where Applicable)	25
When First Switching On	6	Cleaning the Outer and Inner Door Glass Panels	26
Rating Plate	6	Cleaning Inside the Ovens	27
Preparing to Use Your Appliance	6	Cleaning the Top Oven Roof	28
Condensation and Steam	6	To Remove the Wirework Runners	28
Cookware	7	Cleaning the Shelves, Wirework Runners and Grill/Oven Furniture	29
The Cooling Fan for the Controls	7	Care of Stayclean Surfaces	29
Control Panel Indicator Neons	7	The Oven Cleaning Cycle	29
Grill and Oven Furniture	8	Things to Note	29
The Electronic Timer	9	Hints and Tips	30
The Dual Grill	13	Cooking to Reduce Soilage	30
Uses of the Grill	13	Replacing an Oven Light Bulb	31
How to use the Dual Grill	13	If Something Doesn't Work	32
Things to Note	13	Service and Spare Parts	34
The Grill Pan and Handle	14	Guarantee Conditions	35
Hints and Tips	14		
Grilling Chart	16		
The Top Oven	17	FOR THE INSTALLER	
Uses of the Top Oven	17	Technical Details	36
How to use the Top Oven	17	Warnings	37
Things to Note	17	Choice of Electrical Connection	37
To Fit the Oven Shelf	17	Things to Note	38
Hints and Tips	18	Preparing Cabinet for Fitting Oven	39
Oven Cooking Chart	19	How to Finish Unpacking	40
The Fan Oven	20	To Remove Cover of Mains Terminal	41
Uses of the Fan Oven	20	Connecting to the Mains Terminal	42
How to use the Fan Oven	20	Checking Electrical Connections	43
Things to Note	20	Connecting to a Hob or Cooker Point	43
To Fit the Fan Oven Shelves	21	Fitting into the Space Between Cabinets	44
Hints and Tips	21	Notes	45
Fan Oven Cooking Chart	22		
Roasting Chart	23		
Defrost Feature	24	Please read the whole instruction book before using the appliance. To help you the following symbols will be found in the text.	
Uses of Defrost Feature	24		
How to Defrost	24	 Hints and Tips	
Things to Note	24	 Safety Instructions	
Hints and Tips	24		

Built-under electric double oven

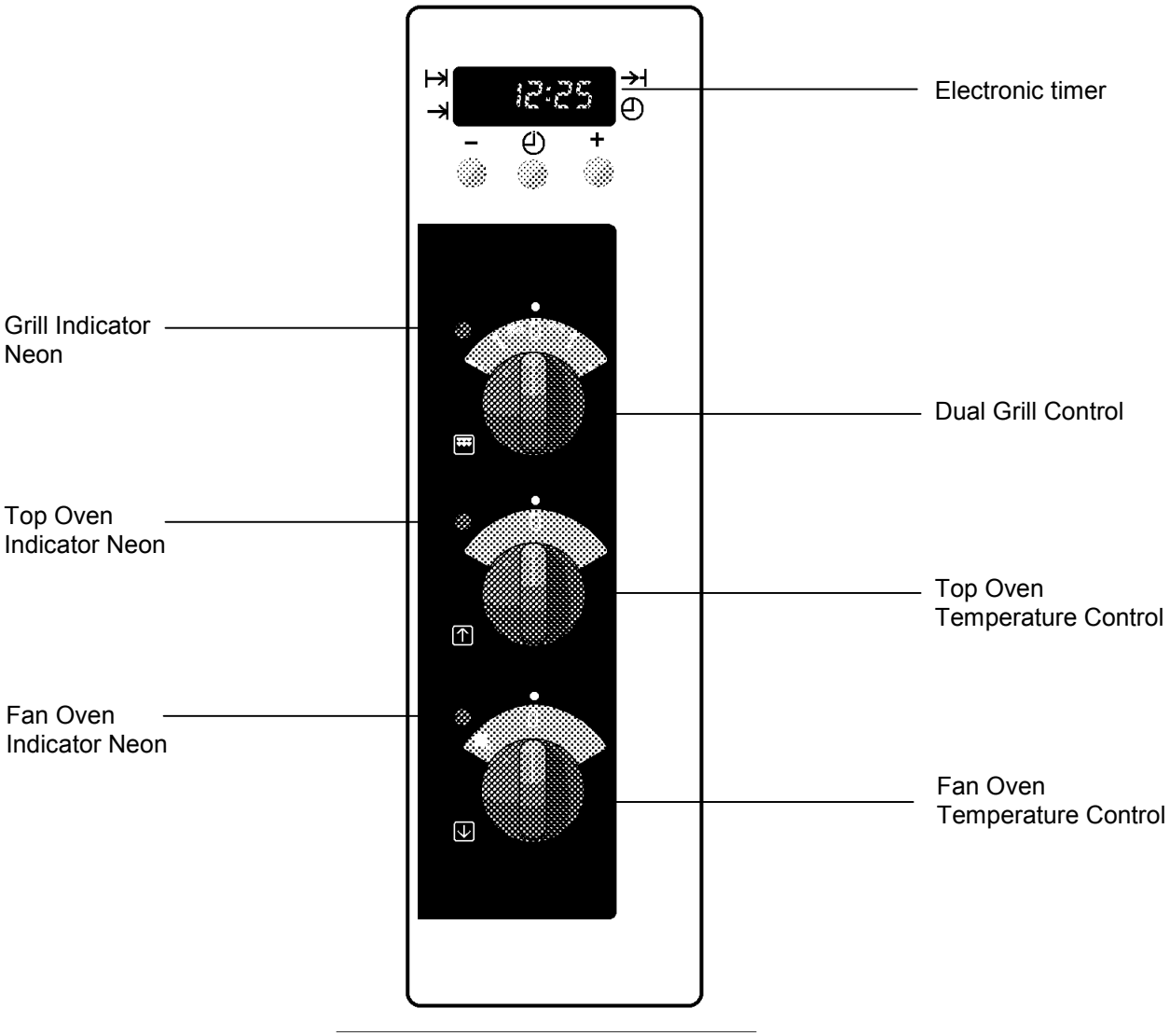
 **WARNING: THIS APPLIANCE MUST BE EARTHED**



Your built-under appliance comprises of a conventional oven and dual grill in the top compartment. The top oven is convenient and economical for mid-week use because of its size.

The main fan oven is the larger of the two ovens. It is particularly suitable for cooking larger quantities of food. The main fan oven can be automatically controlled by the timer.

The Control Panel



BEFORE USING THE APPLIANCE

WHEN FIRST SWITCHING ON

The oven has a 24 hour clock. When the oven is first switched on at the wall the electronic display will automatically show 12.00, and the 'Time' (⊕) neon will also flash.

To set the time of day and use the timer refer to instructions on page 9.

RATING PLATE

This is situated on the lower front frame of the appliance and can be seen upon opening the top cavity door. Alternatively the rating plate may also be found on the back or top of some models (where applicable).

The appliance must be protected by a suitably rated fuse or circuit breaker. The rating of the appliance is given on the rating plate.

Do not remove the rating plate from the appliance as this may invalidate the guarantee.

PREPARING TO USE YOUR APPLIANCE

Wipe over the base of the ovens with a soft cloth and hot soapy water and wash the grill and oven furniture before use.

We suggest that you run the oven elements for 10 – 15 minutes at 220°C to burn off any residue from their surfaces.

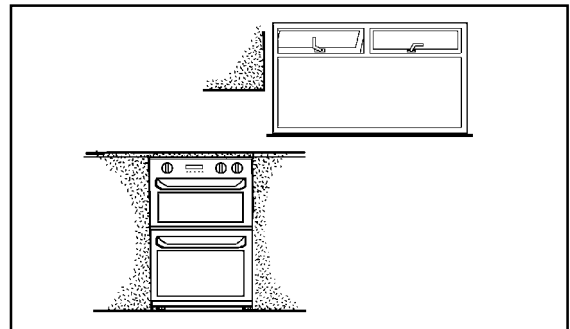
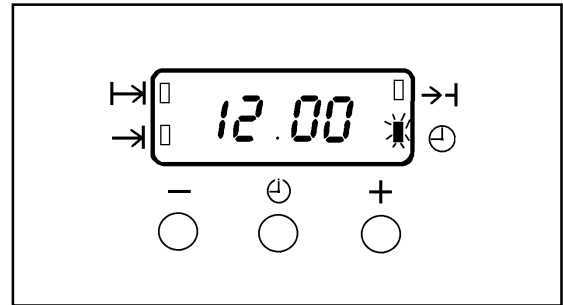
The procedure should be repeated with the grill for approximately 5 – 10 minutes.

During this period and odour may be emitted, it is therefore advisable to open a window for ventilation.

CONDENSATION AND STEAM

When food is heated it produces steam in the same way as a boiling kettle does. The ovens are vented to allow some of this steam to escape. However, always stand back from the appliance when opening the oven doors to allow any build up of steam or heat to release. If the steam comes into contact with a cool surface on the outside of the appliance, e.g. a trim, it will condense and produce water droplets. This is quite normal and is not caused by a fault on the appliance.

To prevent discolouration occurring, regularly wipe away condensation and any soilage from the appliance surfaces.

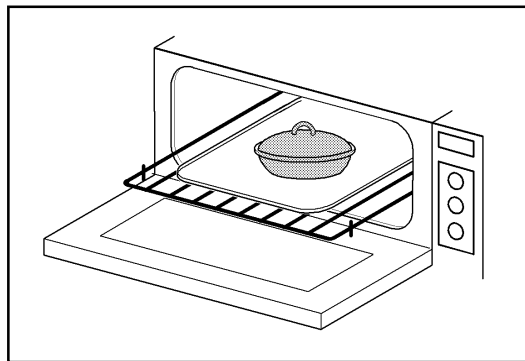


COOKWARE

Baking trays, dishes etc., should not be placed directly against the grid covering the fan at the back of the oven.

Do not use baking trays larger than 30cm x 35cm (12" x 14") as they will restrict the circulation of heat and may affect performance. Advice on the effect of different materials and finishes of bakeware is given in 'Hints and Tips' in the appropriate oven section.

Note. The meat tin should not be placed on a heated hotplate as this may cause the enamel to crack.



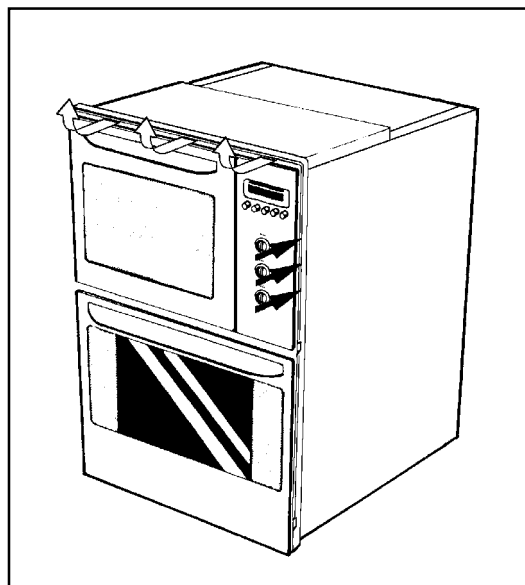
THE COOLING FAN FOR THE CONTROLS


Your appliance has a cooling fan fitted behind the controls to prevent them from overheating.

The cooling fan will come on immediately when the grill is switched on and after a short time when either of the ovens are in use.

The cooling fan may turn on and off when the appliance is in use. This is quite normal.

The cooling fan may run on after the ovens or grill are switched off for a period of time to cool the appliance down. It may continue to switch on and off until the appliance is cool.



 **Always allow the cooling fan to cool the appliance down before switching off at the wall prior to carrying out any cleaning or maintenance work.**

NOTE

The action of the cooling fan will depend on how long the ovens or grill have been used and at what temperature. It may not switch on at all at lower temperature settings nor run on where the grill or oven has only been used for a short time.

CONTROL PANEL INDICATOR NEONS

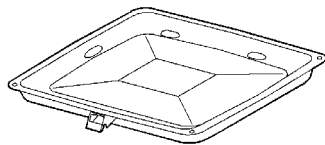
These lights indicate whether the ovens or grill are switched on. In the case of the ovens, the top and fan oven neons also indicate when the set temperature has been reached. They will turn on and off during use to show that the temperature is being maintained.

The fan oven neon does not operate with the Defrost setting.

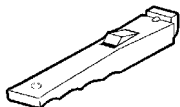
GRILL AND OVEN FURNITURE

The following items of oven furniture have been supplied with the appliance.

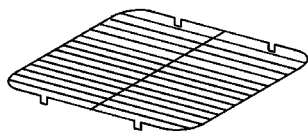
1 grill pan



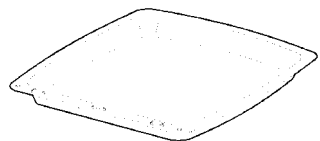
1 grill pan handle



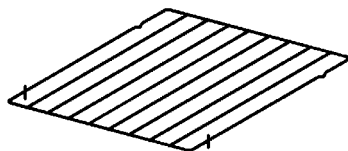
1 grill pan grid



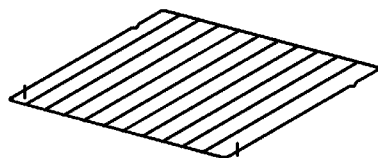
1 meat tin



1 shelf for grilling and
Top oven cooking



2 shelves for Fan
oven cooking



Scuffing of the Stayclean panel/s by the oven furniture pack may occur during transit. These marks will disappear after the oven elements have been burnt off for the first time.

THE ELECTRONIC TIMER

KEY

A COOK TIME

B END TIME

C COUNTDOWN

D TIME

E DECREASE CONTROL

F SELECTOR CONTROL

G INCREASE CONTROL

NOTE:

The time of day must be set before the main oven will operate manually.

1. SET THE TIME OF DAY

The oven has a 24 hour clock.

When the electricity supply is first switched ON, the display will show 12.00 and the 'Time' (⌚) indicator neon will flash as Fig. 1.

To set the correct time press the increase control button (+) and if necessary, the decrease control button (-) until the correct time on the 24 hour clock is reached, e.g. 10.00am as Fig.2. The 'Time' indicator (⌚) neon will flash for 5 seconds and then go out.

Note: The increase and decrease control buttons operate slowly at first, and then more rapidly. They should be pressed separately.

2. HOW TO SET THE COUNTDOWN

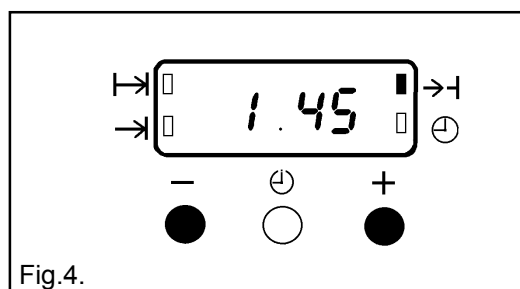
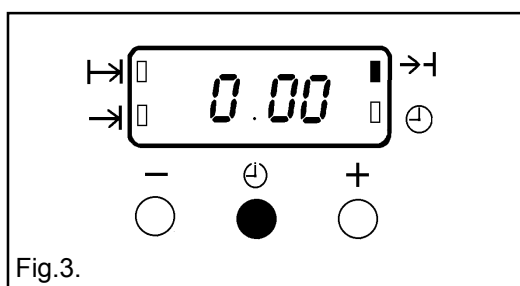
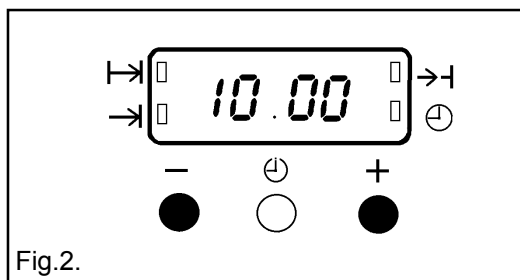
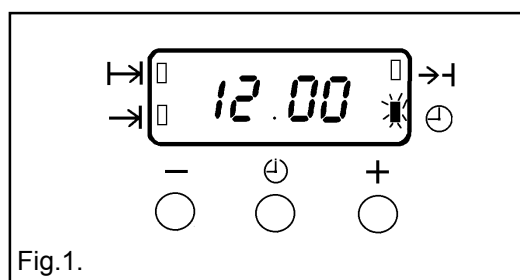
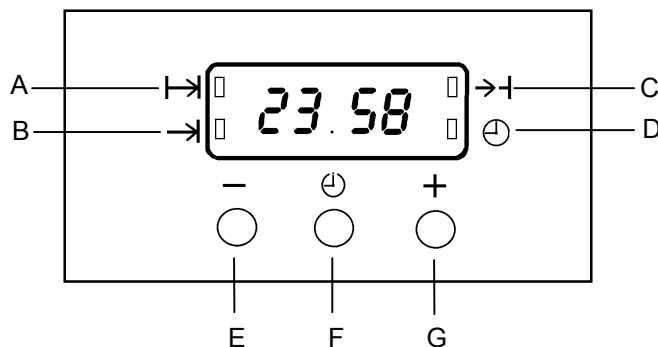
The 'Countdown' gives an audible reminder at the end of any period of cooking. This cooking period may be up to 2 hrs 30 mins. It is not part of the automatic control.

To set, press the Selector Control button (⌚) until the 'Countdown' indicator is illuminated (→|) the display reads 0.00 as Fig.3.

To set the correct time duration depress the increase control (+) until the display indicates the interval to be timed, e.g. 1hr 45 mins as Fig. 4. If necessary depress the decrease control (-) to achieve the correct time interval.

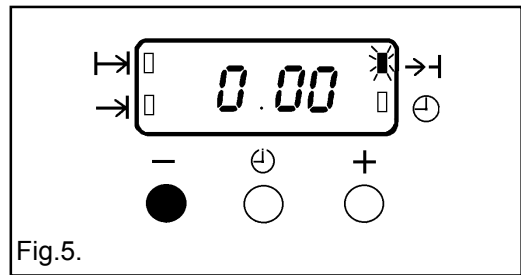
NOTE: This must be completed within 5 seconds of first pressing the Selector Control button.

During the operation of the 'Countdown', the remaining time period will be shown in the display. The 'Countdown' will sound intermittently for up to 2 minutes at the end of the timed period. The sound can be stopped by pressing any button.



TO CANCEL THE COUNTDOWN

If you change your mind and want to cancel the 'Countdown', press the Selector Control button until the 'Countdown' indicator ($\rightarrow\downarrow$) flashes and then the decrease control (-) until 0.00 shows in the display as Fig. 5. The 'Countdown' indicator ($\rightarrow\downarrow$) will continue to flash for a few seconds and then return to the time of day.



3. SETTING THE OVEN TIMER CONTROL

The main oven can be automatically timed.

When using the timer control for the very first time, it is advisable to let it operate while you are at home. The displays can be checked to show that it is operating correctly and you will feel confident to leave a meal to cook automatically in the future.

A) TO SET THE TIMER TO SWITCH ON AND OFF AUTOMATICALLY

- i) Ensure the electricity supply is switched ON and that the correct time of day is displayed, e.g. 9.am. as Fig. 6.
- ii) Place food in oven
- iii) To set the length of cooking time, press the Selector control button (\downarrow) until the 'Cook Time' indicator is illuminated ($\rightarrow\downarrow$). Press the increase control (+) until the required length of cooking time is displayed, e.g. 2 hrs 15 mins as Fig. 7. If necessary depress the decrease control (-) until the correct time interval is achieved.

The maximum cooking time is 10 hours.

- iv) Release the buttons. The 'Cook Time' indicator ($\rightarrow\downarrow$) will be illuminated.

Remember, this must be completed within 5 seconds of first pressing the Selector Control button.

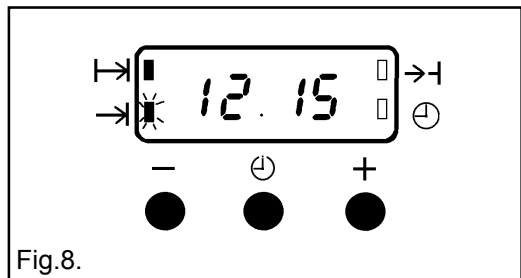
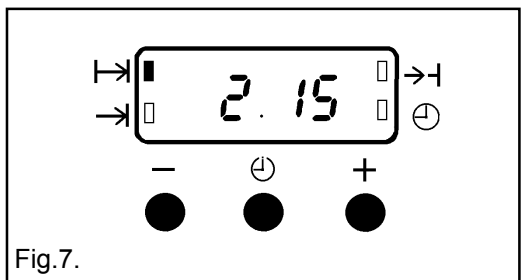
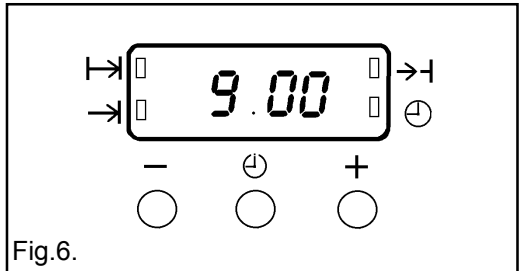
- v) To set the 'End Time'. Press the Selector Control button until the 'End Time' ($\rightarrow\downarrow$) flashes. Press the increase control (+) until the required stop time is displayed, e.g. 12.15 p.m. as Fig. 8. If necessary depress the decrease control (-) until the correct time interval is achieved.

- vi) Release the buttons. The time of day will be displayed after 5 seconds. The 'Cook Time' ($\rightarrow\downarrow$) and 'End Time' ($\rightarrow\downarrow$) indicators will be illuminated.


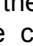
The 'End Time' must not be more than 23 hours 59 minutes from the time of day. For example, if the time of day is 09.00 a.m., the latest 'End Time' would be 08.59 a.m. the next day.

- vii) Set the main oven control to the required temperature. The oven indicator neon should be OFF.

Note: When the automatic timed period starts, the oven indicator neon will turn ON and OFF periodically during cooking, showing that the temperature is being maintained.



B) TO SET THE TIMER TO SWITCH OFF ONLY

- i) Ensure the electricity supply is switched ON and that the correct time of day is displayed, e.g. 10.00am as Fig. 9.
- ii) Place food in oven.
- iii) To set the length of cooking time, press the Selector Control button until the 'Cook Time' () indicator is illuminated. Press the increase control (+) until the required length of cooking time is displayed, e.g. 2 hrs 15 mins as Fig. 10. Depress the decrease control (-) if necessary.
- iv) Release the buttons. The 'Cook Time' indicator () will illuminate and the time of day will be displayed after 5 seconds.
- v) Set the oven temperature. The oven indicator neon should be ON.
- vi) To check the 'End Time' during the cooking period, simply press the Selector Control button once and the remaining time will be displayed, as Fig. 11.

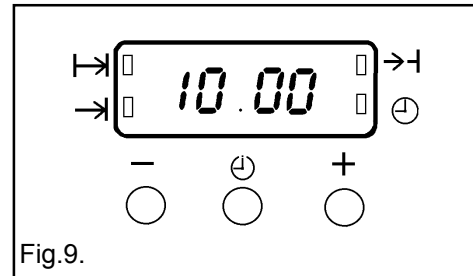


Fig.9.

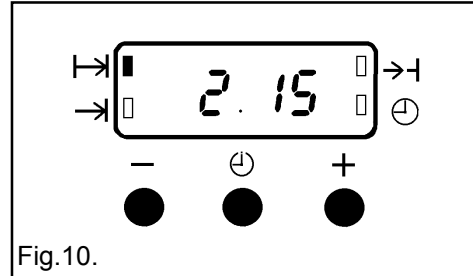


Fig.10.

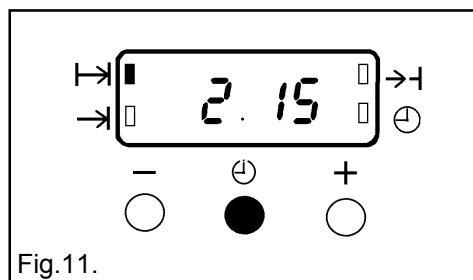


Fig.11.

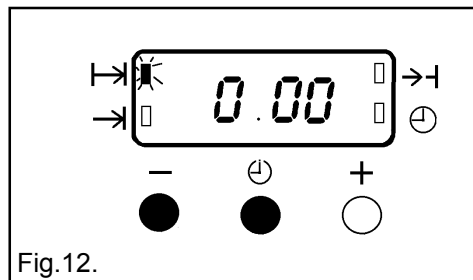


Fig.12.

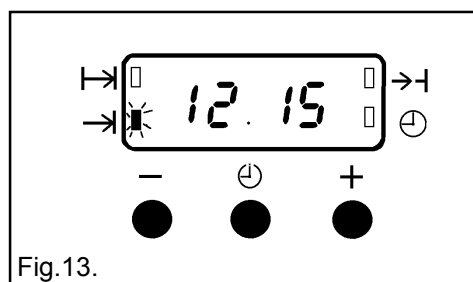
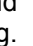



Fig.13.

4. TO CANCEL AN AUTOMATIC PROGRAMME

- i) To cancel an automatic programme press the Selector Control button until the 'Cook Time' indicator () neon flashes. Press the decrease control (-) until the display reads 0.00 as Fig. 12.
- ii) Release the buttons. The 'Cook Time' indicator () will flash and after 5 seconds return to the time of day.
- iii) Turn off oven control.

5. TO RETURN THE APPLIANCE TO MANUAL

At the end of a timed cooking period, the indicator neon will flash and an alarm will sound for up to 2 minutes.

- i) To stop the sound press any of the three buttons, as Fig. 13.
- ii) The display will return to the time of day.
- iii) Turn off the oven controls.

6. THINGS TO NOTE

In the event of an interruption of the electricity supply, the timer will reset itself to zero, and all programming will be cancelled.

7. AUTOMATIC COOKING

It is advisable to leave food in the oven for as short a time as possible before automatic cooking. Always ensure commercially prepared food is well within its use by date and that home prepared food is fresh and of good quality.

When cooking is complete, **do not** leave food to stand in the oven, but remove and cool it quickly if the food is not to be consumed immediately.

Always ensure food in the oven has been covered before cooking if it is not possible to remove food immediately after cooking.

THE DUAL GRILL

⚠ WARNING – Accessible parts become hot when the grill is in use. Keep children away.

USES OF THE GRILL

The grill is situated in the Top oven compartment. The grill is a dual circuit grill which means that the full area of the grill or the centre section only can be used. Use the centre section for economy purposes when cooking smaller quantities.

HOW TO USE THE DUAL GRILL

1. Open the Grill / Top Oven door.
2. Turn the grill control clockwise for full grill or anticlockwise for the centre section only.
3. Ensure the Top Oven control is in the Off position '0'.

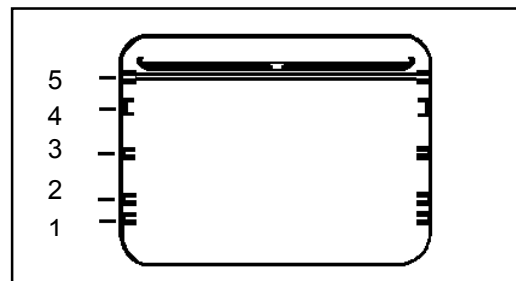
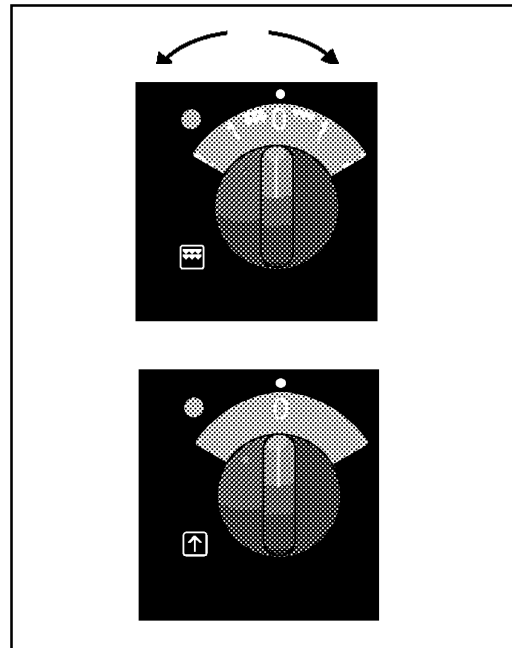
⚠ The grill door must be left open when grilling.

⚠ The grill pan must not be located in the shelf runners.

THINGS TO NOTE

- The cooling fan for the controls will operate as soon as the grill control is turned. For more information on the operation of the cooling fan turn to page 7.
- The outer section of the grill element may appear to glow brighter than the inner section. This is quite normal
- The grill indicator neon will glow until the desired power level has been reached. It will turn ON and OFF periodically during cooking showing the temperature is being maintained.
- You can use the grill pan on the shelf in positions 3 and 5 only.

⚠ If you use the grill pan in position 3 the shelf must be withdrawn before the pan can be located or removed. Ensure the grill pan is properly located.



THE GRILL PAN AND HANDLE

The grill pan has a removable handle.

To insert the handle, press the button on the handle with the thumb and pivot slightly upwards inserting the lip into the widest part of the bracket. Move the handle towards the left, lower into position and release the button.


 **Ensure the handle is properly located.**

To remove the handle, press the button on the handle with the thumb and pivot the handle slightly upwards and towards the right to remove from the bracket.

 **Protect your hands when removing the grill pan handle.**

Always remove the grill pan handle during grilling.

To correctly locate the grill pan on the shelf, ensure that the cut out on the underside of the handle bracket locates over the front bar of the shelf.

 **The grill pan must not be located in the shelf runners.**

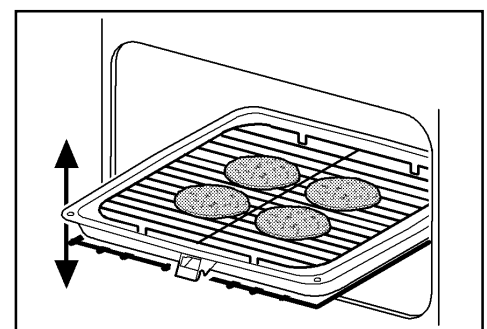
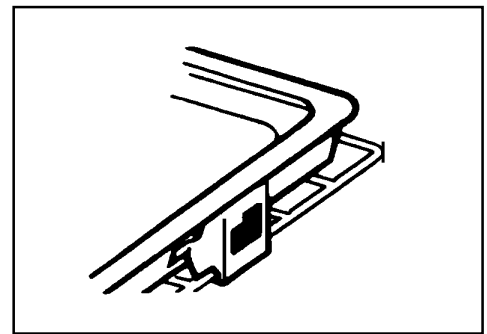
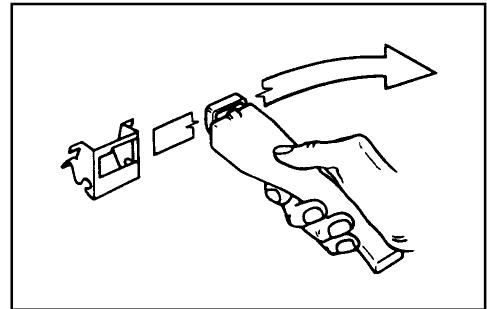
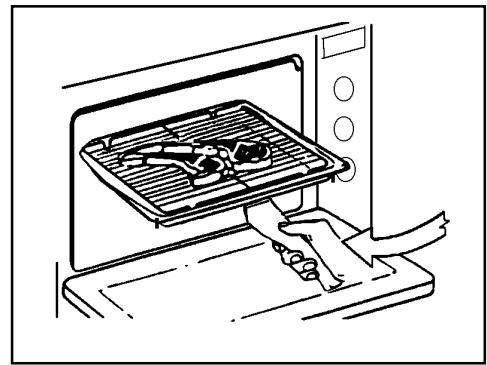
To check the progress of the food being grilled, the grill pan should be withdrawn on the shelf to attend to food during cooking.

HINTS AND TIPS

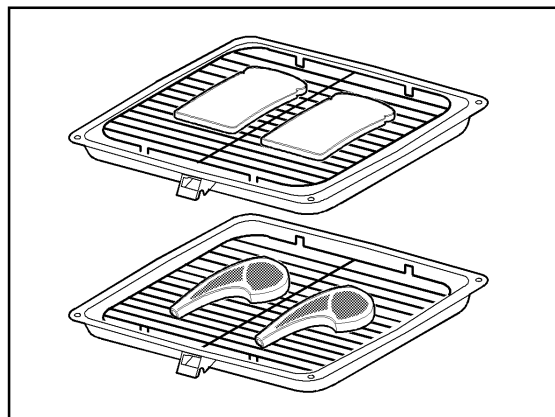
- Most foods should be placed on the grilling grid in the grill pan. This allows maximum circulation of air by raising the food out of fats and juices.

 **Ensure that you support the grill pan when it is withdrawn.**

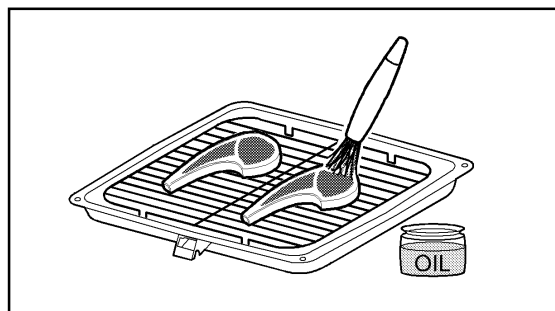
- Adjust the grid and grill pan runner to allow for different thicknesses of food. Position the food close to the element for faster cooking and further away for more gentle cooking.



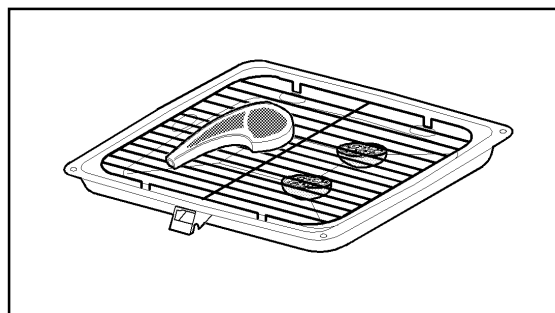
- The grill pan grid is reversible. This is useful if you want to cook foods of varying thicknesses. As a general rule, bread for toasting should be placed on the grid in the 'high' position in the grill pan. Foods such as chicken pieces or chops may be grilled using the grilling grid in the low position.



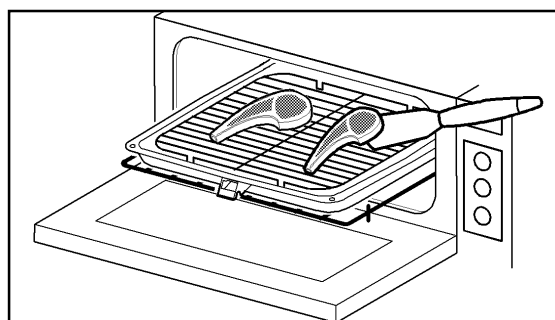
- Food should be thoroughly dried before grilling to minimise splashing. Brush lean meats and fish lightly with a little oil or melted butter to keep them moist during cooking.



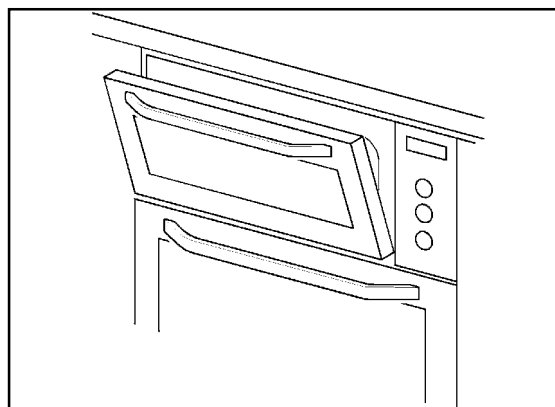
- Accompaniments such as tomatoes and mushrooms may be placed underneath the grid when grilling meats.



- The food should be turned over during cooking as required.



- The grill door must be left open when grilling. For convenience the grill door can be left ajar.



- Preheat the grill on full setting for a few minutes before sealing steaks or toasting. Adjust the heat setting and the shelf position as necessary during cooking.

GRILLING CHART

The chart below gives recommended cooking times and shelf positions. Remember that these are a guide and should be adjusted to suit personal taste.

Note: Shelf positions are counted from the bottom upwards.

FOOD	GRILL TIME (Min)	Shelf	Grid position
Bacon Rashers	3 – 5 each side	5	High
Beefburgers	6 – 10 each side	5	Low
Chicken Joints	15 – 20 each side	3	High
Chops - Lamb	7 – 10 each side	5	Low
Pork	10 – 15 each side	5	Low
Fish – Whole / Herring	8 – 12 each side	5	Low
Fillets – Plaice / Cod	4 – 6 each side	5	Low
Kebabs	10 – 15 each side	5	Low
Kidneys – Lamb	4 – 6 each side	5	Low
Pig	8 – 10 each side	5	Low
Liver – Lamb/Pig	5 – 10 each side	5	Low
Sausages	10 – 15 turn as required	5	Low
Steaks - Rare	3 – 6 each side	5	Low
Medium	6 – 8 each side	5	Low
Well Done	7 – 10 each side	5	Low
Browning e.g. au gratin, Lasagne, Shepherd's Pie	3 – 5 mins	3	-

THE TOP OVEN

USES OF THE TOP OVEN


The Top oven is the smaller of the two ovens. The Top oven is a conventional oven, i.e. without a fan. It is convenient where smaller quantities or convenience foods are being cooked. It is important to refer to the cooking chart as a guide to shelf positions and temperatures as these may differ from previous appliances you may have used.

HOW TO USE THE TOP OVEN

1. Turn the Top Oven temperature control to the required setting.

THINGS TO NOTE

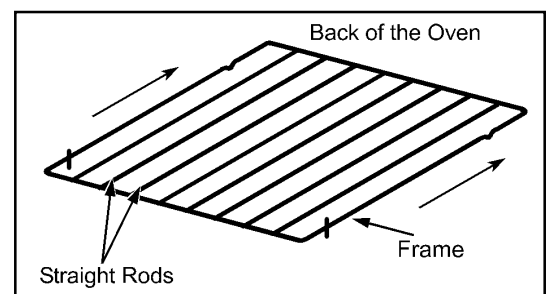
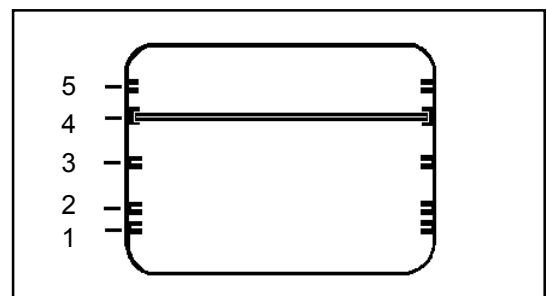
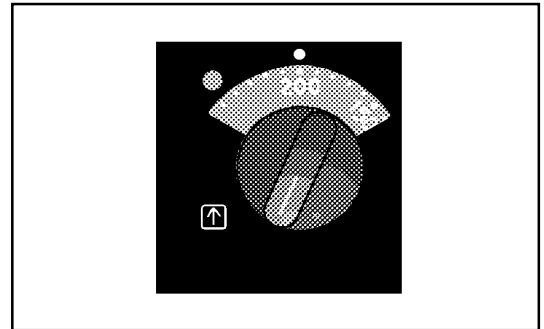
- The Top oven indicator neon will glow until the oven has reached the desired temperature and then go out. It will turn on and off periodically during cooking showing that the temperature is being maintained.
- The cooling fan for the controls will operate after a time. See page 7 for more information on the operation of the cooling fan.

 **Do not place dishes, tins and trays directly on the oven base as it becomes very hot and damage will occur.**

TO FIT THE OVEN SHELF

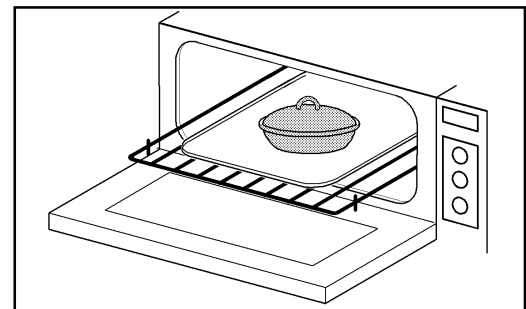
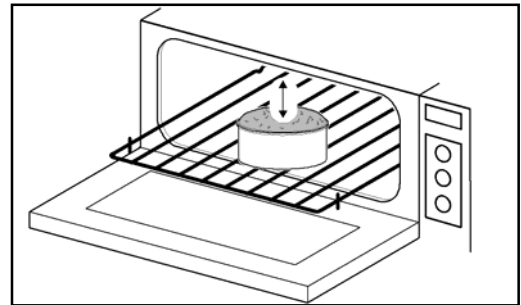
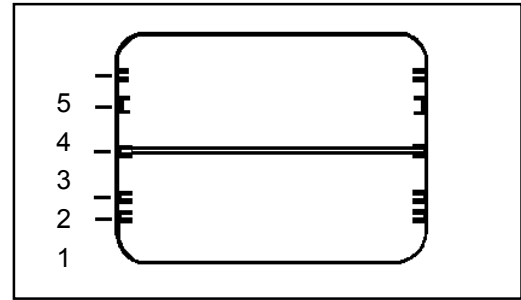
There are 5 shelf positions in the Top oven. Shelf positions are counted from the bottom upwards.

The shelf should be fitted with the straight rods uppermost on the frame and the forms towards the back of the oven. If not fitted correctly the anti-tilt and safety stop mechanism will be affected.



i HINTS AND TIPS

- Use the Top oven when you want to warm plates. Use a setting of 80°C – 100°C on the oven temperature control.
- For the best results use one shelf in the Top oven. For the best results food should be placed in the centre of the oven. To increase top browning e.g. for au gratin dishes, the food should be placed towards the top of the oven. Similarly for foods which benefit from the base being browned, e.g. pizza, quiches and flans, place the food on a lower shelf.
- There should always be at least 2.5cm (1") between the top of the food and the grill element. This gives best cooking results and allows room for rise in yeast mixtures, Yorkshire puddings etc. When cooking cakes, pastry, scones bread etc., place the tins or baking trays centrally on the shelf.
- Ensure that food is placed centrally on the shelf and there is sufficient room around the baking tray or dish to allow for maximum circulation.
- Where a larger quantity of food is to be cooked we recommend you use the fan oven.
- Place dishes on a suitably sized baking tray on the shelf to prevent spillage onto the oven base and to help reduce cleaning.
- The material and finish of the baking tray and dishes will affect the degree of base browning of the food. Enamelware, dark, heavy or non-stick utensils increase base browning. Shiny aluminium or polished steel trays reflect the heat away and give less base browning.
- **Do not** use the grill pan or meat tin as a baking tray as this will increase base browning of the food.
- Because of the smaller cooking space and lower temperatures, shorter cooking times are sometimes required. Be guided by the recommendations in the cooking chart.
- For economy leave the door open for the shortest possible time, particularly when placing food into a pre-heated oven.



TOP OVEN COOKING CHART

Note: Shelf positions are counted from the bottom upwards.

FOOD	SHELF POSITION	TEMP (°C)
Biscuits	3	170 - 190
Bread	3	210 - 220
Bread rolls/buns	3	210 - 220
Cakes:		
Small & Queen	3	180 - 190
Sponges	2	180 - 190
Victoria Sandwich	2	180 - 190
Madeira	3	160 - 170
Rich Fruit	3	140 - 150
Gingerbread	3	150 - 160
Meringues	2	80 - 100
Flapjack	3	180 - 190
Shortbread	3	140 - 150
Baked Custard	3	160 - 170
Casseroles:		
Beef/Lamb	2	150 - 160
Chicken	2	140 - 160
Convenience Foods	3	According to manufacturers instructions
Fish	3	170 - 190
Fish Pie Potato Topped	3	200 - 210
Fruit Pies, Crumbles	3	190 - 200
Milk Puddings	3	140 - 150
Pasta / Lasagne etc.	3	190 - 200
Pastry :		
Choux – eclairs/profiteroles	3	190 - 200
Flaky / Puff Pies	3	210 - 220
Shortcrust	3	190 - 200
Mince Pies	3	190 - 200
Meat Pies	3	210 - 220
Quiche, Tarts, Flans	3	180 - 190
Roasting Meat / Poultry	1	160 - 180
Scones	3	220 - 230
Shepherd's Pie	3	200 - 210
Soufflés	3	190 - 200
Vegetables:		
Baked Jacket	3	190 - 200
Roast Potatoes	3	200 - 210
Yorkshire Puddings: - Large	3	210 - 220
Individual	3	210 - 220

THE FAN OVEN

USES OF THE FAN OVEN

The Fan oven is particularly suitable for cooking larger quantities of food, or for weekend or celebration meals.

The advantages of Fan oven cooking are:

PREHEATING

The Fan oven quickly reaches its temperature so it is not usually necessary to preheat the oven. Without preheating however you may need to add an extra 5 – 10 minutes on the recommended cooking times. For recipes needing high temperatures e.g. bread, pastries, scones, soufflés etc., best results are achieved if the oven is preheated first. For best results when cooking frozen or cooked chilled ready meals preheat the oven first.

COOKING TEMPERATURES

Fan oven cooking generally requires lower temperatures than conventional cooking. Follow the temperatures recommended in the chart on page 22 until you are familiar with the lower temperatures associated with Fan oven cooking. As a guide reduce temperatures by 20°C - 25°C for your own recipes.

BATCH BAKING

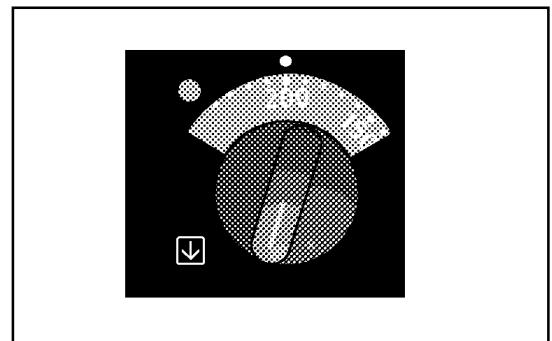
The Fan oven cooks evenly on all shelf levels, especially useful when batch baking.

HOW TO USE THE FAN OVEN

1. Turn the Fan oven temperature control to the required setting.

THINGS TO NOTE

- The oven light will come on when the control is turned.
- The oven fan will operate continually during cooking.
- The cooling fan for the controls will operate after a time. See page 7 for further details on the operation of the cooling fan.
- The fan oven indicator neon will glow until it has reached the desired temperature. It will turn on and off periodically during cooking showing that the temperature is being maintained.
- If an automatic programme has been set, the oven fan and oven light do not come on until the cook time begins.

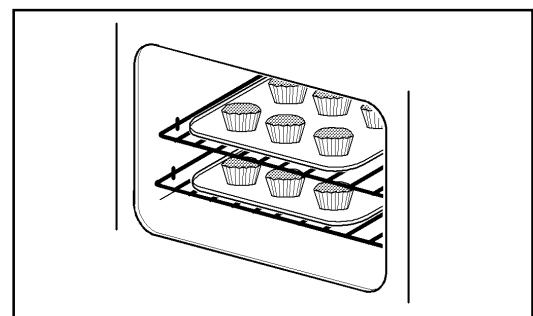
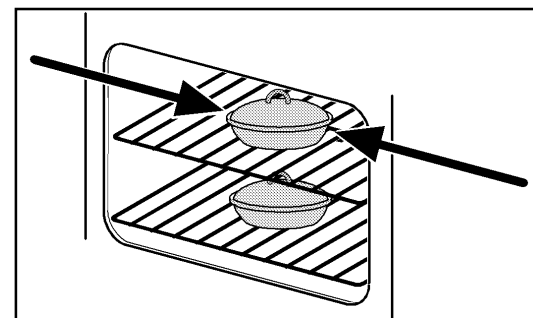
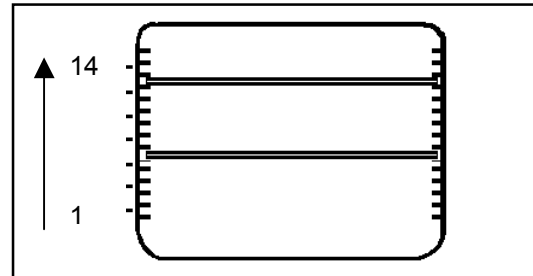
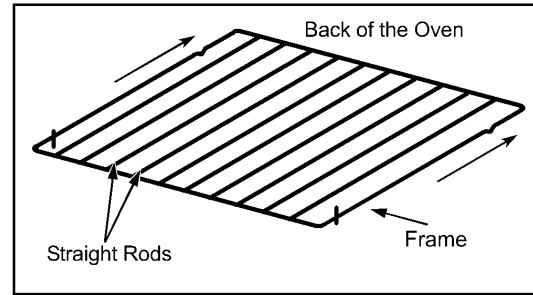


TO FIT THE FAN OVEN SHELVES

The shelves should be fitted with the straight rods uppermost on the frame and the forms towards the back of the oven. If not fitted correctly the anti-tilt and safety stop mechanism will be affected.

i HINTS AND TIPS

- Arrange the shelves in the required positions before switching the oven on. Shelf positions are counted from the bottom upwards.
- When cooking more than one dish in the fan oven, place dishes centrally on different shelves rather than cluster several dishes on one shelf, this will allow the heat to circulate freely for the best cooking results.
- It is recommended that when baking larger quantities, the shelf positions should be evenly spaced to suit the load being cooked. A slight increase in cooking time may be necessary.
- The material and finish of the baking tray and dishes will affect the degree of base browning of the food. Enamelware, dark, heavy or non-stick utensils increase base browning. Shiny aluminium or polished steel trays reflect the heat away and give less base browning.
- The use of excessively high temperatures can cause uneven browning. It may be necessary to reduce temperatures slightly. Refer to the recommendations given in the oven cooking chart, on page 22.



FAN OVEN COOKING CHART

The oven temperatures are intended as a guide only. It may be necessary to increase or decrease the temperatures by a further 10°C to suit individual preferences and requirements.

Note: Shelf positions are counted from the bottom of the oven.

FOOD	SHELF POSITION	TEMP (°C)
Biscuits		160 - 190
Bread		210 - 220
Bread rolls/buns	Shelf	210 - 220
Cakes:		
Small & Queen		160 - 170
Sponges		160 - 170
Victoria Sandwich	positions	160 - 170
Madeira		140 - 150
Rich Fruit		140 - 150
Christmas	are not	130 - 140
Gingerbread		140 - 150
Meringues		90 - 100
Flapjack	critical	170 - 180
Shortbread		140 - 150
Baked Custard		140 - 150
Casseroles:		
Beef/Lamb	but ensure	140 - 150
Chicken		160 - 180
Convenience Foods		According to manufacturers instructions
Fish	that oven	150 - 170
Fish Pie (Potato Topped)		190 - 200
Fruit Pies, Crumbles	shelves are	180 - 190
Milk Puddings		130 - 140
Pasta / Lasagne etc.		180 - 190
Pastry :		
Choux –	evenly	
Eclairs/profiteroles		160 - 170
Flaky / Puff Pies		210 - 220
Shortcrust -	spaced	
Mince Pies		170 - 180
Meat Pies		210 - 220
Quiche, Tarts, Flans	when more	180 - 190
Roasting Meat / Poultry		160 - 180
Scones		220 - 210
Shepherd's Pie	than one is	190 - 200
Soufflés		170 - 180
Vegetables:		
Baked Jacket		190 - 200
Roast Potatoes	used	200 - 210
Yorkshire Puddings: - Large		210 - 220
Individual		210 - 220

ROASTING CHART

ROASTING CHART		
INTERNAL TEMPERATURES – Rare : 50-60°C, Medium : 60-70°C, Well done : 70-80°C		
MEAT	FAN OVEN	COOKING TIME
Beef	160 – 180°C	20-35 minutes per ½kg (1lb) and 20-35 minutes over
Beef, boned	160 – 180°C	25-35 minutes per ½kg (1lb) and 25-35 minutes over
Mutton and Lamb	160 – 180°C	25-35 minutes per ½kg (1lb) and 25-35 minutes over
Pork and Veal	160 – 180°C	30-40 minutes per ½kg (1lb) and 30-40 minutes over
Ham	160 – 180°C	30-40 minutes per ½kg (1lb) and 30-40 minutes over
Chicken	160 – 180°C	15-20 minutes per ½kg (1lb) and 20 minutes over
Turkey and Goose	160 – 180°C	15-20 minutes per ½kg (1lb) up to 3½kg (7lb) then 10 minutes per ½kg (1lb) over 3½kg (7lb)
Duck	160 – 180°C	25-35 minutes per ½kg (1lb) and 25-35 minutes over
Pheasant	160 – 180°C	35-40 minutes per ½kg (1lb) and 35-40 minutes over
Rabbit	160 – 180°C	20 minutes per ½kg (1lb) and 20 minutes over
Potatoes with meat	160 – 180°C	According to size
Potatoes without meat	180 – 190°C	According to size

The roasting temperatures and times given in the chart should be adequate for most joints, but slight adjustments may be required to allow for personal requirements and the shape and texture of the meat. However, lower temperatures and longer cooking times are recommended for less tender cuts or larger joints.


Wrap joints in foil if preferred, for extra browning uncover for the last 20 – 30 min. cooking time.

DEFROST FEATURE

USES OF DEFROST FEATURE

This fan oven function enables you to defrost most foods without heat faster than some conventional methods as the oven fan circulates air around the food. It is particularly suitable for delicate frozen foods which are to be served cold e.g. cream filled gateaux, cakes covered with icings or frostings, cheesecakes, biscuits, scones, etc.

HOW TO DEFROST

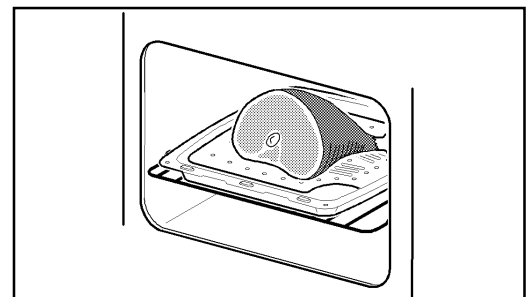
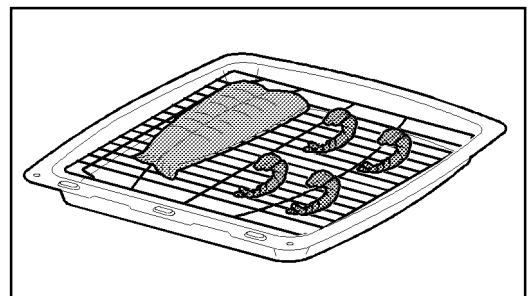
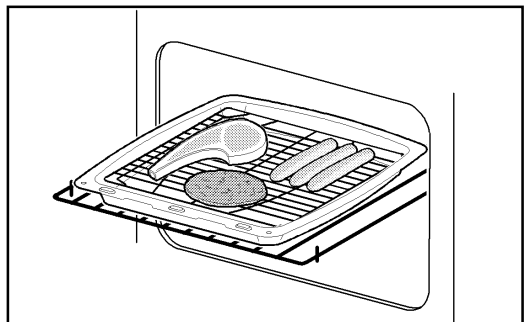
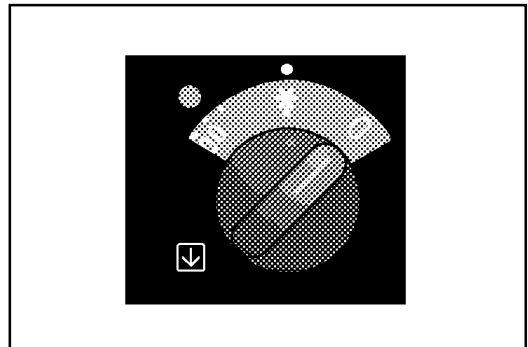
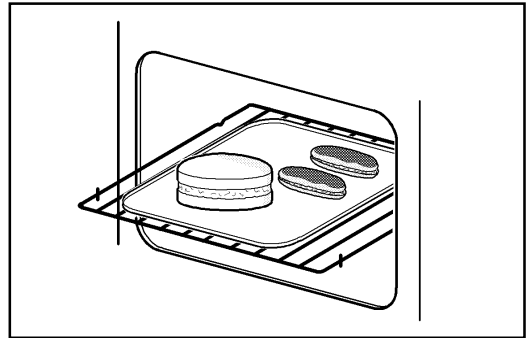
1. Turn the Fan oven temperature control to Defrost setting. 

THINGS TO NOTE


- The oven fan and internal oven light will operate.

HINTS AND TIPS

- Place the frozen food in a single layer where possible and turn it over half way through the defrosting process.
- The actual speed of defrosting is influenced by room temperature. On warm days defrosting will be faster than on cooler days.
- It is preferable to thaw fish, meat and poultry slowly in the fridge. However, this process can be accelerated by using the defrost function. Small or thin fish fillets, frozen peeled prawns, cubed or minced meat, liver, thin chops, steaks etc., can be thawed in 1 – 2 hours.
- A 1kg/2½lb oven ready chicken will be thawed in approximately 5 hours. Remove the giblets as soon as possible during the thawing process.
- Joints of meat up to 2kg/4½lb in weight can be thawed using the defrost function.
- All joints of meat and poultry must be thawed thoroughly before cooking.
- Always cook thoroughly immediately after thawing.
- **DO NOT** leave food at room temperature once it is defrosted. Cook raw food immediately or store cooked food in the fridge, once it has cooled.
- Care must always be taken when handling foods in the home. Always follow the basic rules of food hygiene to prevent bacterial growth and cross contamination when defrosting, preparing, cooking cooling and freezing foods.



CARE AND CLEANING

 Before cleaning the appliance always allow the cooling fan for the controls to cool the appliance down before switching off the electricity supply.

CLEANING MATERIALS

Before using any cleaning materials on your appliance, check that they are suitable and that their use is recommended by the manufacturer.

Cleaners that contain bleach should NOT be used as they may dull the surface finishes. Harsh abrasives should also be avoided.

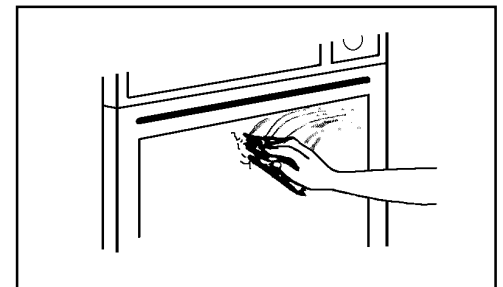



CLEANING THE OUTSIDE OF THE APPLIANCE

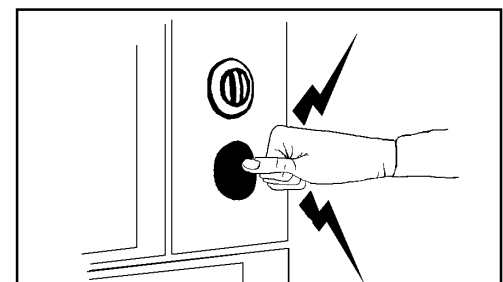
DO NOT use abrasive cleaning materials or scourers on the outside of the appliance as some of the finishes are painted and damage may occur. Regularly wipe over the control panel and oven doors using a soft cloth well wrung out in warm water to which a little liquid detergent has been added.

Any spillage on the stainless steel finish must be wiped off immediately.

Stainless Steel cream cleaners are abrasive and should be avoided as they may dull the surface finish.



 Do not place attempt to remove any of the control knobs from the panel as this may cause damage and is a safety hazard.



CLEANING THE BRASS PLATED HANDLES (WHERE APPLICABLE)

If your appliance is fitted with brass plated handles it is strongly recommended that only hot soapy water is used for cleaning.

ANY OTHER CLEANING MATERIALS WILL DULL THE BRASS PLATED FINISH.

CLEANING THE OUTER AND INNER DOOR GLASS PANELS



To prevent damaging or weakening of the door glass panels avoid the use of the following:

- Household detergents and bleaches
 - Impregnated pads unsuitable for non-stick saucepans
 - Brillo/Ajax pads or steel wool pads
 - Chemical oven pads or aerosols
 - Rust removers
 - Bath/Sink stain removers
-

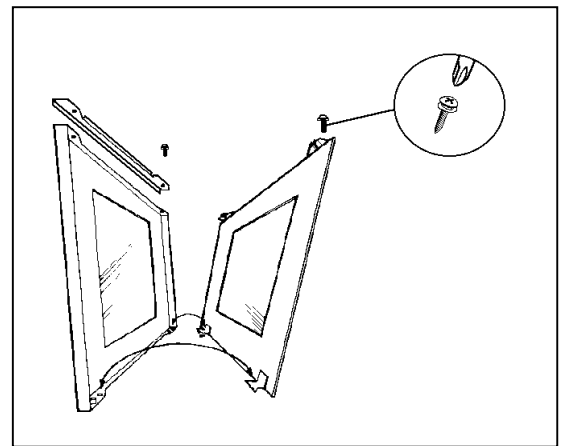
The outer oven door glass panels are removable for cleaning.

TO REMOVE THE OUTER GLASS

1. Open the oven door slightly to gain access to the two cross head screws on the top of the oven door.
2. Loosen the two screws using a Pozidrive screwdriver.
3. Hold the door glass securely in place with one hand remove the screws and washers with the other hand.

The screws and washers retain the trim on the top of the grill door. Note the position of the trim on the door.

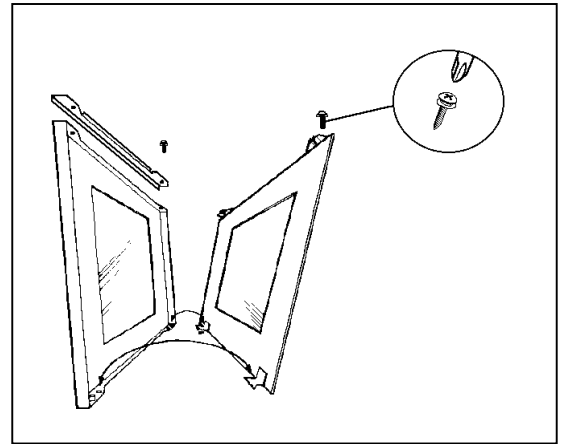
4. Holding the door and glass with one hand, gently pull towards you and slightly lift the door glass with the other hand to disengage the panel from the location point at the bottom of the door. Gently release the door to close it.
5. Clean the outer and inner glass using hot soapy water or Hob Brite. Should the inner face of the outer door glass be heavily soiled it is recommended that soapy water with a high concentration of soap is used. To prevent streaking a glass cleaning spray may be applied and the glass polished with a soft cloth. Ensure that all parts are thoroughly dry before attempting to replace the outer door glass.




If the door glass panel becomes chipped or has deep scratches the glass will be weakened and must be replaced to prevent the possibility of the panel shattering. Please contact your local Service Force Centre who will be pleased to advise further.

TO REPLACE THE OUTER DOOR GLASS

1. Holding the oven glass with both hands, gently place the locators into the holes of the brackets at the bottom of the oven door.
2. Holding the door glass with your left hand, use your right hand to open the oven door. Bring the door gently towards the glass panel ensuring the screw location holes line up.
3. Place the trim in the correct position on the top of the grill door.
4. Hold the glass in place with one hand and insert the cross head screws with washers into the location holes with the other hand. Give the screws one turn to ensure the glass is secure.
5. Tighten the screws positively with a Pozidrive screwdriver before closing the oven door.



 **DO NOT attempt to use the oven without the glass being in place.**

TO CLEAN THE INNER GLASS DOOR

The inner glass door is not removable. Clean using hot soapy water or Hob Brite and a soft cloth. **DO NOT** use abrasives as they may damage the glass or seal.

CLEANING INSIDE THE OVENS

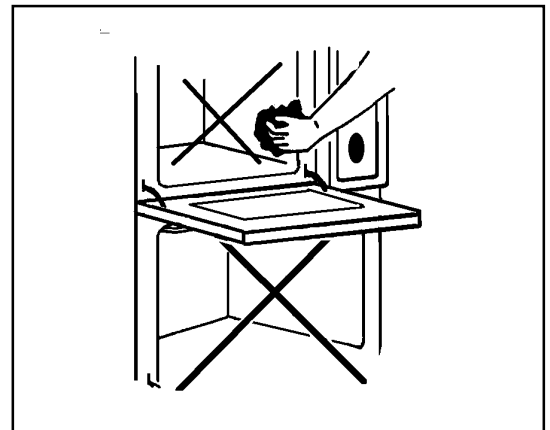
The oven roofs, sides and main oven back panel are coated with a Stayclean finish.

The Stayclean areas should not be cleaned manually. See Care of Stayclean Surfaces on page 29.

The base of the ovens and the grill / top oven compartment back panel can be cleaned using normal oven cleaners or aerosol oven cleaners with care. Ensure that the manufacturers instructions are followed and that all parts are well rinsed afterwards.


Do not use any cleaning agents or scrapers on the Stayclean finish.

Damage will occur if soap impregnated steel wool pads, aerosol cleaners or any abrasive cleaners are used.

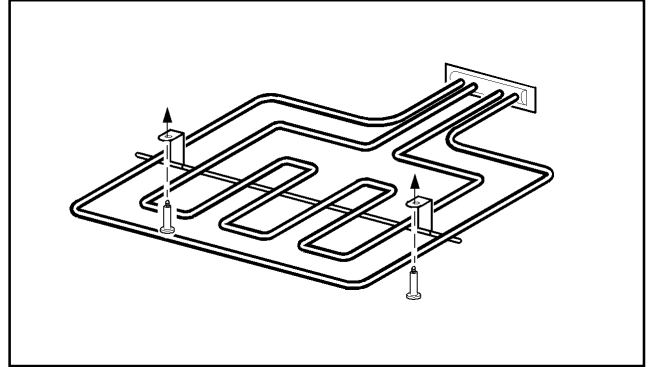


CLEANING THE TOP OVEN ROOF

The grill element is hinged to make cleaning the oven roof easier.

 **Switch off the appliance from the electricity supply before cleaning and ensure the oven is cold.**

1. Remove the wirework side runners. See below.
2. Undo the two screws which hold the grill element in place.
3. Gently pull the element downwards to allow access to the oven roof. **Do not** force the element downwards.
4. Clean the top of the oven with Cif cream cleaner and a sponge scourer. If heavily soiled, aerosol oven cleaners may be used following the instructions given above for cleaning the grill / top oven compartment.
5. Gently push the grill element back into place.
6. Fit the screws to hold the element in place and tighten firmly.
7. Replace the wirework side runners.



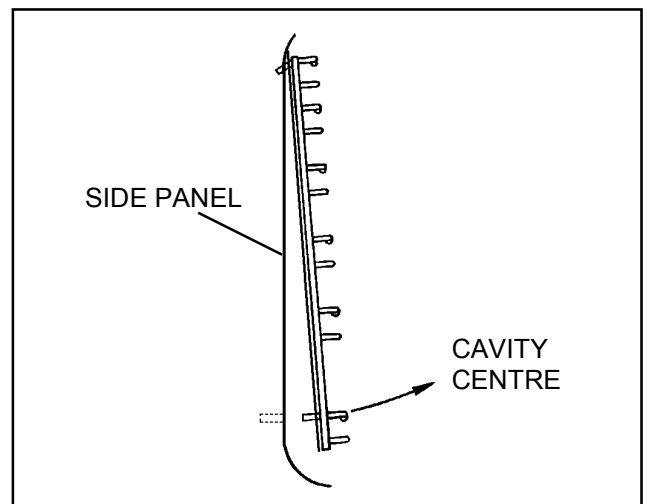
 **Ensure the screws are firmly in place after cleaning.**

TO REMOVE THE WIREWORK RUNNERS

The wirework runners in both ovens can be removed for cleaning.

1. Remove all shelves and furniture from the oven.
2. Hold the wirework at the bottom, unclip from the cavity side and gently pull towards the centre of the oven.
3. Support the side panel at the bottom.
4. Unhook the runner and side panel at the top and remove from the cavity.
5. To replace, ensure the side panel is assembled on to the wirework runner before hooking it back into the oven.

 **Ensure that the wirework runners are firmly in place before refitting the oven shelves.**



CLEANING THE SHELVES, WIREWORK RUNNERS AND GRILL/OVEN FURNITURE

All removable parts, except the grill pan handle can be washed in the dishwasher.

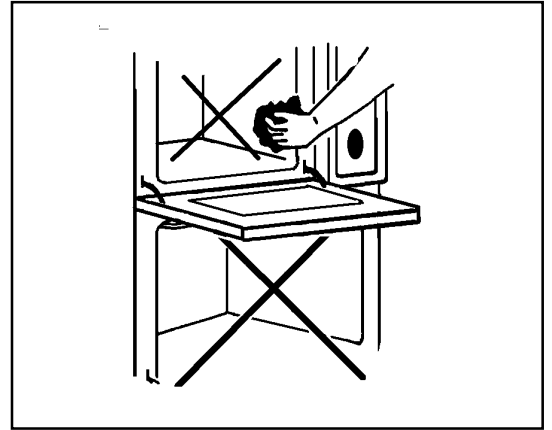
The grill pan, grill pan grid, meat tin, oven shelves and wirework runners may be cleaned using a soap impregnated steel wool pad. Soaking first in hot soapy water will make cleaning easier.

CARE OF STAYCLEAN SURFACES

The roofs and sides of both ovens and the main oven back panel are coated with a Stayclean finish. They should not be cleaned manually.

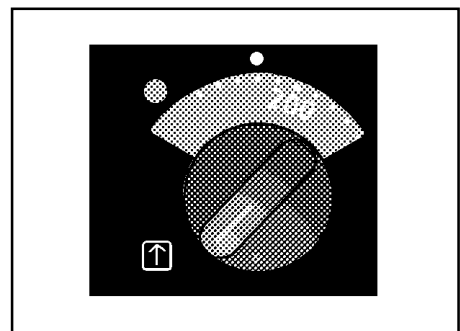
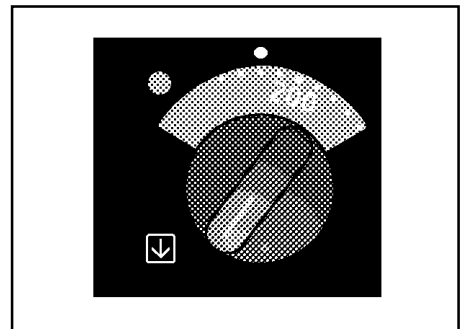
Aerosol cleaners must not be used on Stayclean surfaces and must not come into contact with elements or the door seal, as this may cause damage.

During normal use the Stayclean coating will become splashed with fats and food residues. By running the oven without food, the Stayclean surfaces burn off any soilage. Regular use of the oven cleaning cycle will help to keep the panels in good condition. See page 29.



THE OVEN CLEANING CYCLE – BOTH OVENS

1. Remove oven shelves, wirework runners and bakeware from oven.
2. Turn the required oven temperature control to 220°C and allow the oven to run for an hour or so.



THINGS TO NOTE

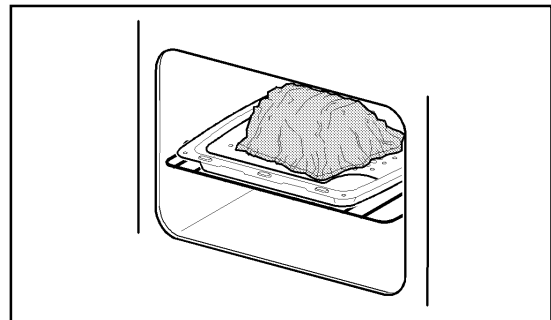
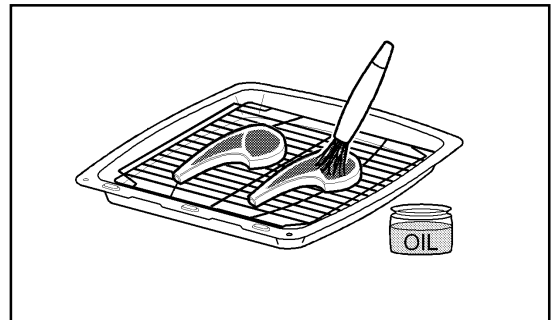
- The oven indicator neon will glow until the oven has reached the desired temperature and then go out. It will then turn on and off showing that the oven temperature is being maintained.
- The internal oven light will come on.
- The cooling fan for the controls will operate after a short time when the oven cleaning cycle is selected. It may run on after the controls are switched off until the appliance has cooled. See page 7 for more details on the operation of the cooling fan

i HINTS AND TIPS

- Slight discolouration and polishing of the Stayclean surfaces may occur in time, but this will not affect their self cleaning properties.
- A good time to use the oven cleaning cycle is after the weekly roast.
If you do a lot of roasting and very little baking you should follow the cleaning cycle every week.
If you roast very little you will only need to follow the cleaning cycle every 2 – 3 weeks.
- Follow the recommendations below to keep soilage to a minimum.

COOKING TO REDUCE SOILAGE.

- Cook at the recommended temperatures. Higher temperatures during roasting will increase soilage. Try cooking at lower temperature for an increased length of time, you will save energy and often the joint is more tender.
- Use minimal, if any, extra oil or fat when roasting meat, potatoes only require brushing with fat before cooking. Extra fat in the oven during roasting will increase splashing and soilage.
- It is NOT necessary to add water to a meat tin when roasting. The water and the fat juices from the joint create excessive splattering during cooking – even at normal temperatures, as well as causing condensation.
- Covering joints during cooking will also prevent splashing onto the interior surfaces. Removing the covering for the last 20-30 minutes will allow extra browning if required. Some large joints and turkeys especially benefit by this method of cooking, allowing the joint to cook through before the outside is over-browned.

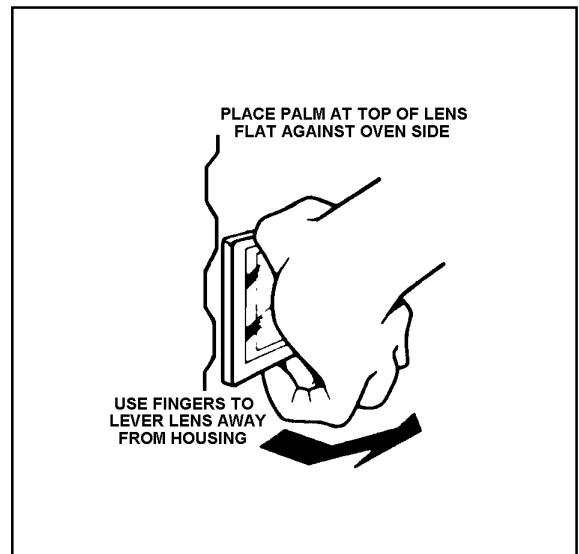


REPLACING AN OVEN LIGHT BULB

The type of bulb required is a 300°C, 25 watt small Edison Screw.

CAUTION: Disconnect the appliance from the electricity supply before replacing the bulb.

1. Make sure the appliance is cool before you replace a bulb
2. Open the door and remove the shelves, side panels and wirework runners.
Instructions on how to remove the wirework runners and side panels are given on page 28.
3. Pull the glass bulb cover towards you and then pull it off. If necessary use a screwdriver to carefully lever off the cover, taking care not to damage the oven cavity.
4. Unscrew the bulb by turning it to the left.
5. Fit a new bulb and then replace the glass bulb cover.
6. Refit the side panels, wirework runners and replace the oven shelves.
7. Restore the appliance to the electricity supply and reset the time of day.



SOMETHING NOT WORKING?

Please carry out the following checks on your appliance before calling a Service Engineer. It may be that the problem is a simple one which you can solve yourself without the expense of a service call.

If our Service Engineer finds that the problem is listed below you will be charged for the call whether or not the appliance is under guarantee.

Please note that it will be necessary to provide proof of purchase for any in-guarantee service calls.

PROBLEM	POSSIBLE SOLUTION
The Grill, Ovens and Timer do not work	<p>Check that the appliance has been wired in to the cooker supply and is switched on at the wall.</p> <p>Check that the main appliance fuse is working.</p>
The Grill and Top Oven work but the Fan Oven does not	<p>Check that the Timer is set for manual operation. See page 9.</p>
The Grill does not work or cuts out after being used for a long period of time.	<p>Check that only the Grill control has been turned. If the Top Oven control has been turned it will override the Grill.</p> <p>Ensure that the Grill door is open when grilling. Leave the door open and allow the Grill to cool. After a couple of hours check that the Grill works as normal.</p> <p>Ensure the Cooling Fan is running when the Grill is on. If the Cooling Fan fails, the Grill will turn on and off. Contact your nearest Service Force Centre.</p>
The Timer does not work	<p>Check that the instructions for the operation of the Timer are being closely followed.</p>
The Indicator Neons are not working correctly	<p>Check that you have selected only the function you require. Ensure all other controls are in the Off '0' position.</p>
The Oven is not cooking evenly	<p>Check that the appliance is correctly installed and is level.</p> <p>Check that the recommended temperatures and shelf positions are being used.</p>

The Oven Light fails to illuminate

The Oven Light bulb may need replacing see page 31.

If the Fan Oven is set for automatic cooking the light will illuminate when the cook time begins.

The Oven Fan is noisy

Check that the Oven is level.

Check that the shelves and bakeware are not vibrating in contact with the oven back panel.

The Oven temperature is too high or low

Check that the recommended temperatures and shelf positions are being used. See page 22. Be prepared to adjust the temperature up or down by 10°C to achieve the results you want.

SERVICE AND SPARE PARTS

In the event of your appliance requiring service, or if you wish to purchase spare parts, please contact your local Service Force Centre by telephoning:-

0870 5 929929

Your telephone call will be automatically routed to the Service Force Centre covering your post code area.

For the address of your local Service Force Centre and further information about Service Force, please visit the website at www.serviceforce.co.uk

Before calling out an engineer, please ensure you have read the details under the heading "Something Not Working".

When you contact the Service Force Centre you will need to give the following details:

1. Your name, address and post code.
2. Your telephone number.
3. Clear and concise details of the fault.
4. The model and serial number of the appliance (found on the rating plate).
5. The purchase date.

Please note that a valid purchase receipt or guarantee documentation is required for in-guarantee service calls.

CUSTOMER CARE DEPARTMENT

For general enquires concerning your AEG appliance, or for further information on AEG products, please contact our Customer Care Department by letter or telephone at the address below or visit our website at www.aeg.co.uk

Customer Care Department
AEG Domestic Appliances
55 – 77 High Street
Slough
Berkshire
SL1 1DZ
Tel: 0870 5 350350 (*)

*calls to this number may be recorded for training purposes.

GUARANTEE CONDITIONS

Standard guarantee conditions

AEG offer the following guarantee to the first purchaser of this appliance:

1. The guarantee is valid for 12 months commencing when the appliance is handed over to the first retail purchaser, which must be verified by purchase invoice or similar documentation.
The guarantee does not cover commercial use.
2. The guarantee covers all parts or components which fail due to faulty workmanship or faulty material. The guarantee does not cover appliances where defects or poor performance are due to misuse, accidental damage, neglect, faulty installation, unauthorised modification or attempted repair, commercial use or failure to observe requirements and recommendations set out in the instruction book
This guarantee does not cover such parts as light bulbs, removable glassware or plastic.
3. Should guarantee repairs be necessary the purchaser must inform the nearest customer service office (AEG's service or authorised agent). AEG reserves the right to stipulate the place of repair (i.e. the customer's home place of installation or AEG workshop).
4. The guarantee of free replacement includes both labour and materials.
5. Repairs carried out under guarantee do not extend the guarantee period for the appliance. Parts removed during guarantee repairs become the property of AEG.
6. The Purchaser's statutory rights are not affected by this guarantee.

European Guarantee

If you should move to another country within Europe then your guarantee moves with you to your new home subject to the following qualifications:

- The guarantee starts from the date you first purchased your product.
- The guarantee is for the same period and to the same extent for labour and parts as exists in the new country of use for this brand or range of products.
- This guarantee relates to you and cannot be transferred to another user.
- Your new home is within the European Community (EC) or European Free Trade Area.
- The product is installed and used in accordance with our instructions and is only used domestically, i.e. a normal household.
- The product is installed taking into account regulations in your new country.

Before you move please contact your nearest Customer Care centre, listed below, to give them details of your new home. They will then ensure that the local Service Organisation is aware of your move and able to look after you and your appliances.

France	Senlis	+33 (0) 3 44 62 29 29
Germany	Nürnberg	+49 (0) 800 234 7378
Italy	Pordernone	+39 (0) 800117511
Sweden	Stockholm	+46 (0) 8 672 53 60
UK	Slough	+44 (0) 1753 219899

TECHNICAL DETAILS

Voltage: 230-240 Volts AC 50Hz

Loading Info:

Top Oven* 1.7kW

Dual Grill: 2.8kW

Base Element 1.0kW

Main Oven
Fan Element: 2.5kW

Fan Motor: 0.03kW

Oven Light: 0.05kW

Wattage: 5.0-5.5kW


Height: 720 mm

Width: 593 mm

Depth: 585 mm
(excluding handles and knobs)

Weight: 52kg

* Cannot be used at the same time as the grill element

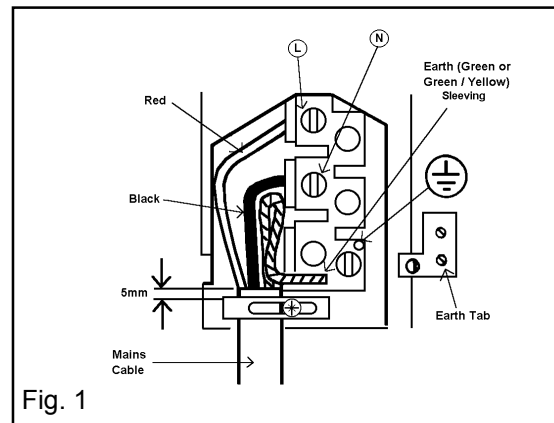
 This appliance complies with: European Council Directive 73/23/EEC.
ECM Directive 89/336/EEC.
CE Marking Directive 93/68/EEC.

INSTALLATION INSTRUCTIONS

WARNINGS

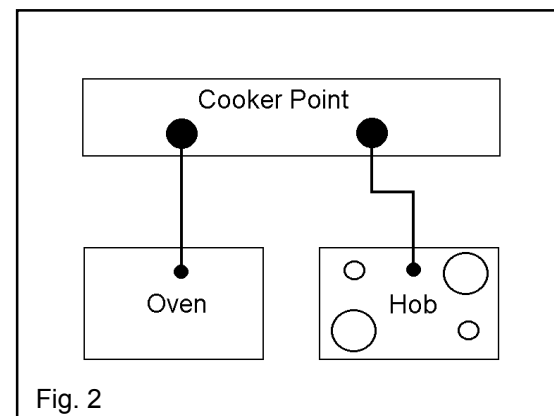
WARNINGS:

- This appliance must be installed by a qualified electrician/competent person. Safety may be impaired if installation is not carried out in accordance with these instructions.
- This appliance must be earthed.
- **Do not** remove the screws from the earth tab extending from the oven mains terminal block (Fig. 1).
- Before connecting the appliance make sure that the voltage of your electricity supply is the same as that indicated on the rating plate. This is situated on the lower front frame of the appliance and can be seen upon opening the top cavity door. Alternatively the rating plate may also be found on the back or top of some models (where applicable).
- **Do not** alter the electrical circuitry of this appliance.



CHOICE OF ELECTRICAL CONNECTION

- The appliance should be operated using at least 6mm² twin core and earth PVC insulated multicore cable. Please choose from the most appropriate after reading the descriptions:
- By connecting the appliance to a cooker point having a double pole isolating switch providing at least 3mm contact separation in all poles and protected with a fuse or miniature circuit breaker at your mains fuse box.
- If you wish to connect an oven and a hob to a cooker point you can, by connecting the oven and hob separately to the cooker point. See Fig. 2.



INSTALLATION INSTRUCTIONS

NOTE: It is good practice to :

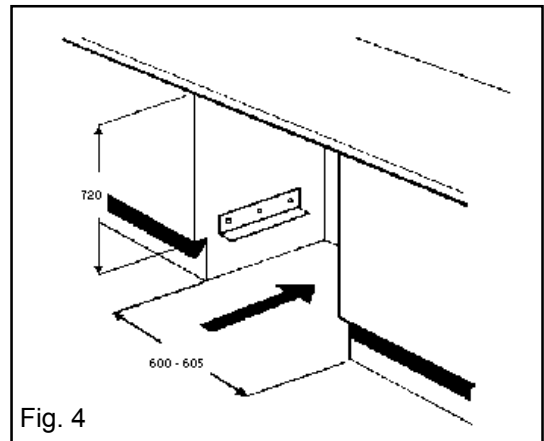
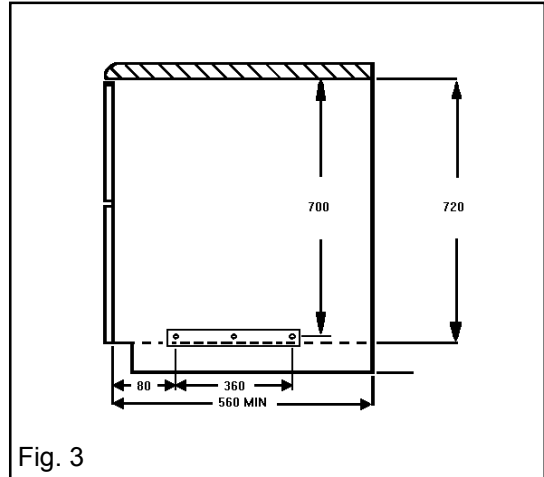
- Fit an Earth Leakage Circuit Breaker to your house wiring.
- Wire your appliance to the latest IEE regulations.

THINGS TO NOTE

- This appliance is designed to be fitted between cabinets with the recommended dimensions as shown in Fig. 3 & 4.
- If there is an existing housing unit it must be removed.
- The dimensions given provide adequate air circulation around the unit within the cabinet, ensuring compliance with BS EN60-335.
- Enquiries regarding the installation of the cooker point, if required, should be made to your Regional Electricity Company to ensure compliance with their regulations.
- This appliance must not be installed on a wooden base board.
- The cooker point should be within 2m of the appliance to make it accessible to switch off the appliance in case of an emergency.
- To protect the hands, wear gloves when lifting the oven into its housing.

NOTE: HOUSE CIRCUIT

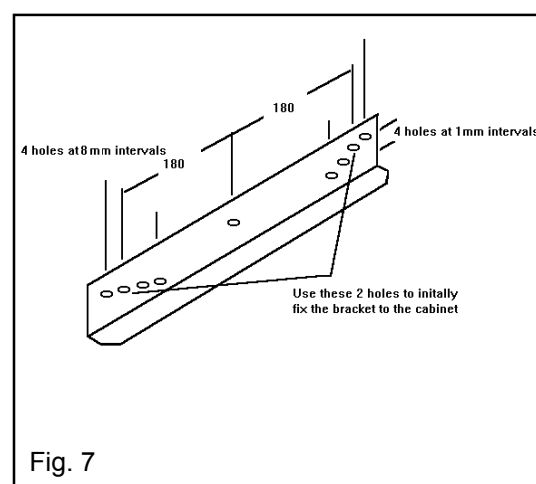
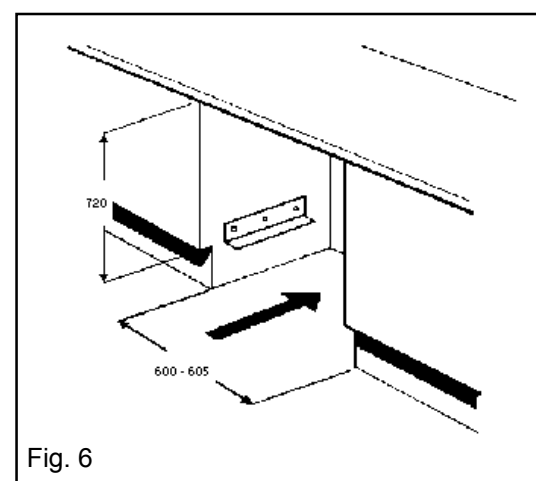
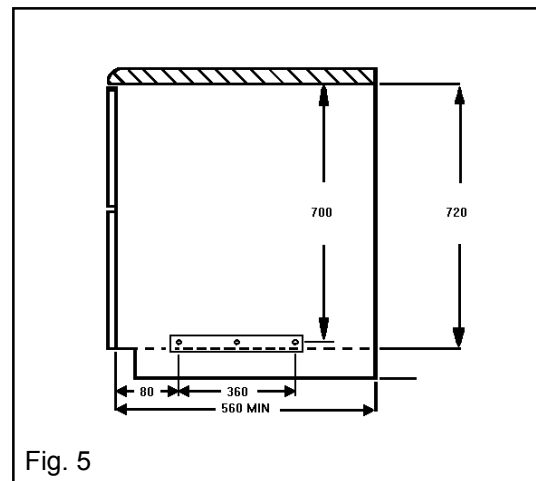
Earth leakage / continuity tests must be carried out before the appliance is connected to the mains supply and re-checked after fitting.



INSTALLATION INSTRUCTIONS

PREPARING CABINET FOR FITTING OVEN

- Make sure the space between the cabinets is the correct size for the appliance to be fitted (Ref. Fig. 5 & 6).
- The plinth board spanning the space into which the appliance is to be installed should be removed.
- If the size between adjacent cabinets is 605-610*mm, then the cabinets should be modified so that the recommended dimension of at least 600-605mm is maintained.
- The adjacent cabinets must be stable and firmly secured to the wall or floor. If necessary, make arrangements to ensure the work surface below which the oven will rest is level.
- Drill two pilot screw holes into the sides of the adjacent cabinets, in the positions indicated by Fig. 5.
- Fit the appliance mounting brackets using the two holes indicated in Fig. 7 to the adjacent cabinets (Ref. Fig. 5 & 6).



INSTALLATION INSTRUCTIONS

- Check that the mounting brackets are level. They can be adjusted if necessary by using the extra holes at the ends of the brackets. Once the brackets are level, drill a pilot hole through the central hole in the bracket and fit the remaining screw.

HOW TO FINISH UNPACKING

- Place appliance next to the space in which it will be installed. See Fig 8.
- Remove the appliance packing except for bottom tray which should be left in position until the appliance is ready to be fitted into its cabinet.
- Ensure the owner is given these operating instructions.

NOTE: It is imperative that the appliance is left in the base to protect both the appliance and the floor.

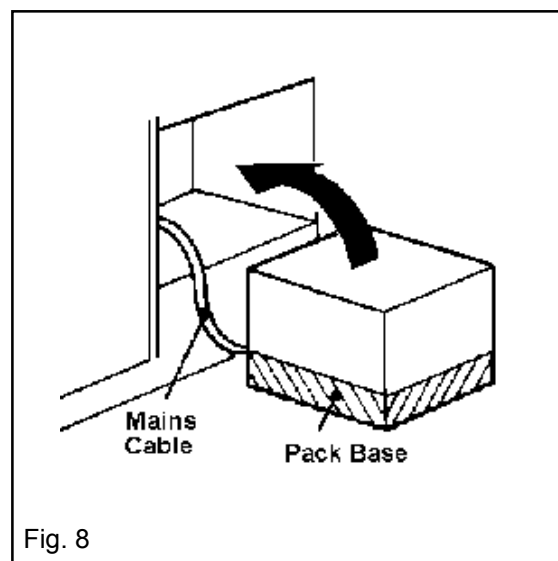


Fig. 8

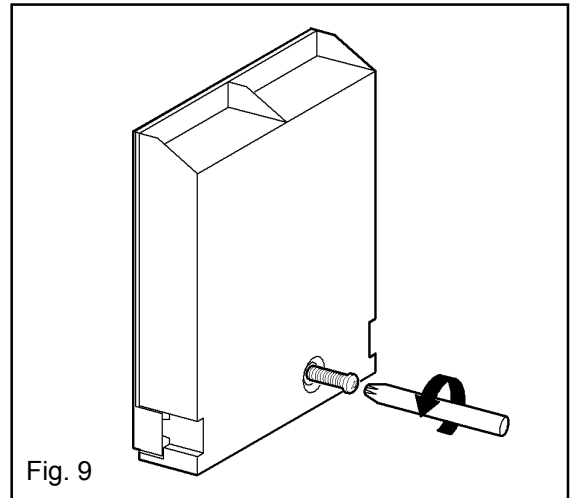
⚠ Important: Switch off at mains, miniature circuit breaker and, if appropriate, remove fuse before commencing any electrical work.

INSTALLATION INSTRUCTIONS

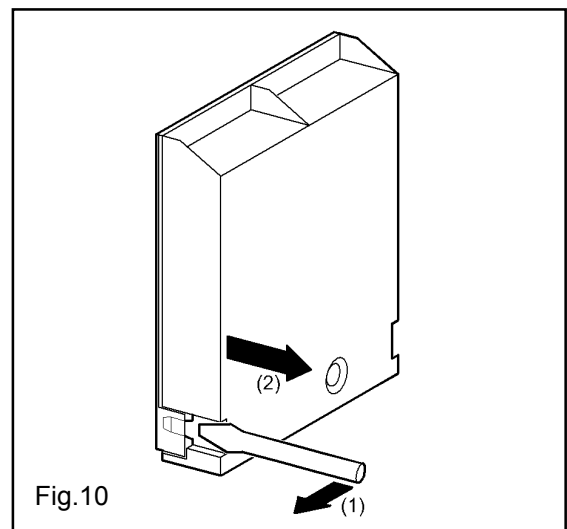
TO REMOVE COVER OF MAINS TERMINAL

From the rear of the appliance, remove mains input terminal cover to gain access to terminal block.

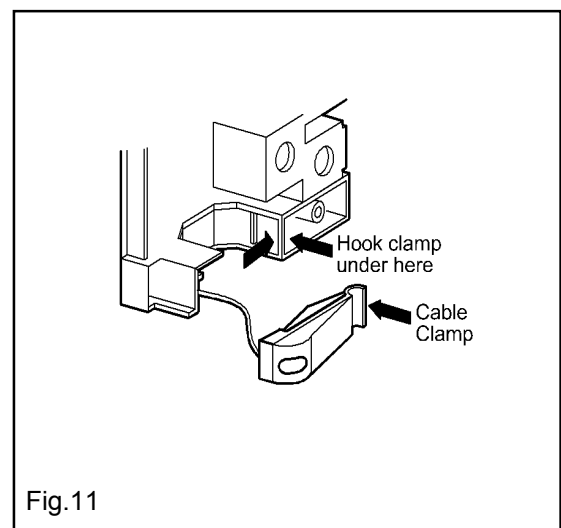
- First remove retaining screw with pozidrive screwdriver. See Fig. 9.



- Prise cover loose using screwdriver in position (1) then lever off with screwdriver in position (2) at either side. See Fig. 10.



Lift cover and remove screw from cable clamp. See Fig. 11.



INSTALLATION INSTRUCTIONS

CONNECTING TO THE MAINS TERMINAL

Warning: This appliance must be earthed.

- We recommend you use a new length of 6mm² twin core and earthed cable to ensure your safety.
- Make connection as shown in Fig. 12 by proceeding as follows:-
- Preform wires to the appropriate shape to suit fitting into the mains terminal block.
- Strip inner insulation on wires using wirestrippers.
- Twist the bared wires using pliers.
- Cut bared wires 10mm away from the end of the inner insulation. Where uninsulated Earth wires are used ensure they are suitably sheathed to leave 10mm bare wire fit into the terminal.
- Clamp bare wires into the relevant terminal and check they are held by tugging each one in turn.
- Clamp the mains cable securely ensuring 5mm of the outer insulation is inside the terminal block and that the wires are not taught but not so slack as to cause any fouling. See Fig. 12.
- Connect the remaining end of the mains cable to the cooker point / junction box.
- Please fuse / miniature circuit breaker in circuit and switch on at mains.

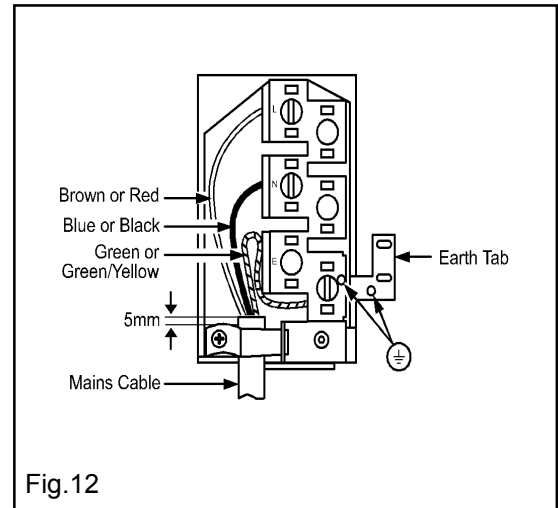


Fig.12

INSTALLATION INSTRUCTIONS

CHECKING ELECTRICAL CONNECTIONS

- Confirm the appliance is correctly connected by switching on and observing the various oven functions indicators.
- The electronic timer will flash on and off.

CONNECTING TO A HOB OR COOKER POINT

- Either follow in general terms the instructions for connecting to the terminal block or refer to the hob suppliers installation instructions.

Feed the cable through the cabinet and arrange to route the cable away from the appliance.

NOTE: HOUSE CIRCUIT

Earth leakage / continuity tests must be carried out before the appliance is connected to the mains supply and re-checked after fitting.

INSTALLATION INSTRUCTIONS

FITTING INTO THE SPACE BETWEEN CABINETS



IMPORTANT: Ensure that the oven is switched off at the wall before any further work is carried out.

- Ensure the appliance is in front of the cabinet. See Fig. 13.
- Take out all oven furniture before installation to reduce the weight you need to lift.
- To place the appliance into the space between cabinetry follow the procedure below:
- **N.B. Two people will be required to carry out the lifting procedure.**
- Warning: **Do not** attempt to lift this appliance by the handle(s).

Each person should squat either side of the appliance.

Tilt the appliance so that your hands can support the underside of the appliance.

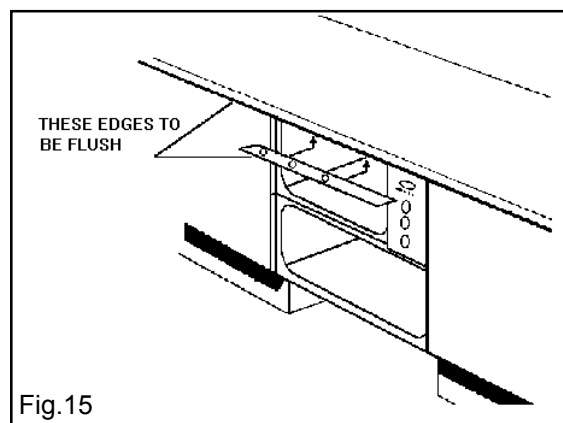
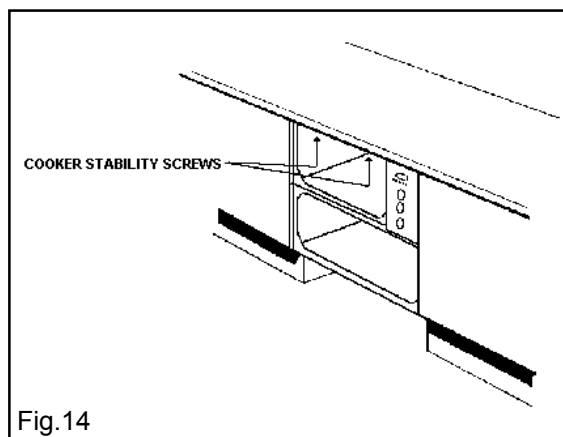
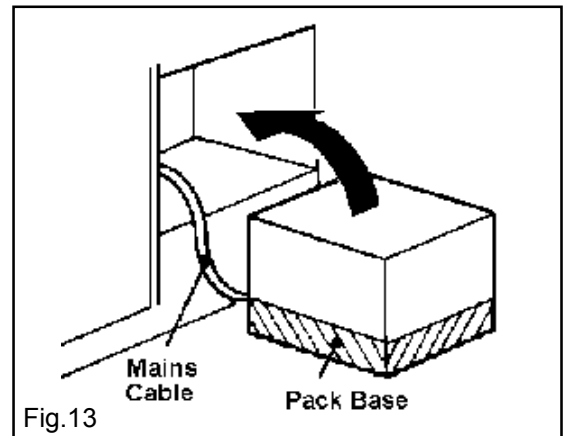
Raise the appliance to the correct height.

Rest the rear underside of the appliance on the mounting brackets while your hands support the front.

The appliance can be pushed fully into the space. Take care to avoid fouling the mains lead.

Ensure the appliance is central and level.

- When the appliance is fully housed, screw the stability screws (supplied with the appliance) into the underside of the worksurface in the positions indicated (see Fig. 14), taking care not to distort the trim. It is advisable to turn each screw alternatively to avoid damaging the trim.
- Place the top trim flush with the edge of the worksurface, with the cork spacers upover (see Fig.15) and screw into position using the screws supplied with the appliance.
- Replace the plinth board.
- Switch on the appliance and refer the user to the operating instructions.



NOTES

NOTES

NOTES

IMPORTANT NOTICE

In line with our continuing policy of research and development, we reserve the right to alter models and specifications without prior notice.

This instruction booklet is accurate at the date of printing, but will be superseded if specifications or appearance are changed.

AEG
55 – 77 HIGH STREET,
SLOUGH,
BERKSHIRE,
SL1 1DZ.
TELEPHONE 0870 5 350350
<http://www.aeg.co.uk>
Part Number: 311387414

© Electrolux plc 2002

 **From the Electrolux Group.** *The world's No.1 choice.*

The Electrolux Group is the world's largest producer of powered appliances for kitchen, cleaning and outdoor use. More than 55 million Electrolux Group products (such as refrigerators, cookers, washing machines, vacuum cleaners, chain saws and lawn mowers) are sold each year to a value of approx. USD 14 billion in more than 150 countries around the world.