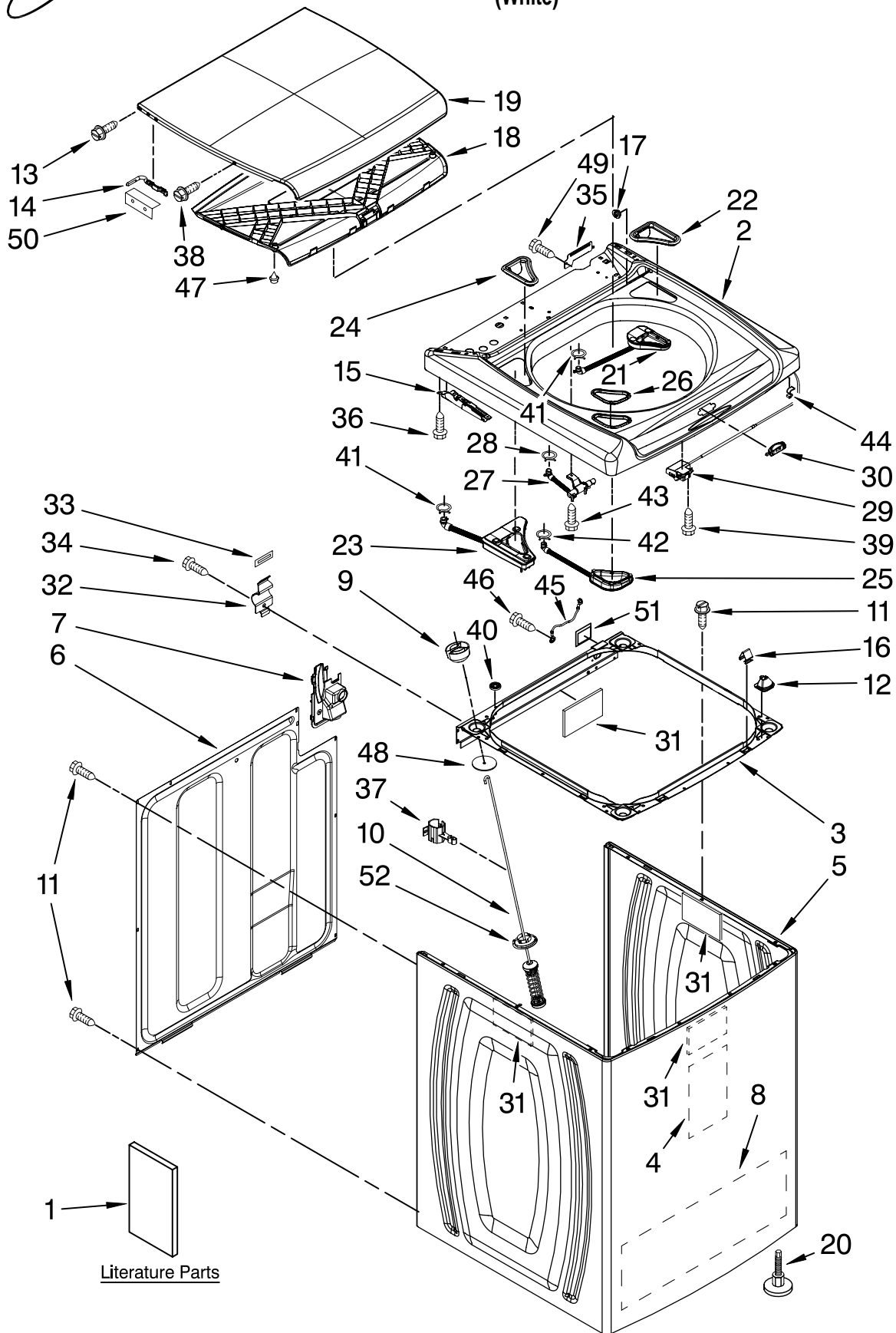




TOP AND CABINET PARTS

AUTOMATIC WASHER

For Model: WTW6400SW2
(White)



Literature Parts

FOR ORDERING INFORMATION REFER TO PARTS PRICE LIST

TOP AND CABINET PARTS

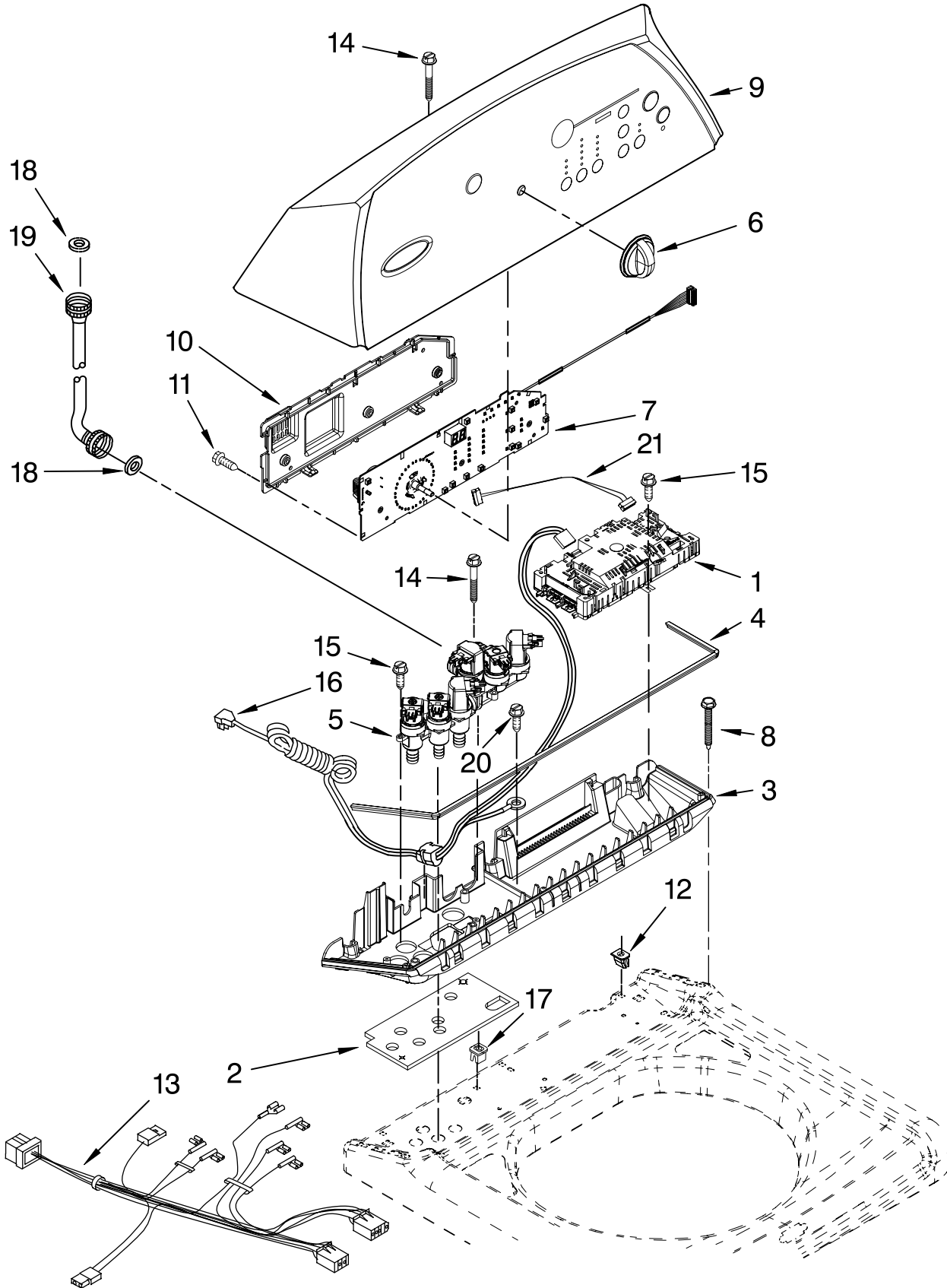
For Model: WTW6400SW2
(White)

Illus. No.	Part No.	DESCRIPTION	Illus. No.	Part No.	DESCRIPTION	Illus. No.	Part No.	DESCRIPTION
1		Literature Parts	13	355274	Screw, Lid	30	8572019	Bezel, Lid Lock
	W10106470	Use & Care Guide			Hinge	31	8564458	Absorber, Impact
	W10026571	Tech Sheet			Mounting (4)	32	8564456	Hinge, Top (2)
	W10106480	Quick Start Guide	14	8576780	Hinge Arm, Lid (2)	33	18849	Pad, Top Hinge (2)
	8577781	Wiring Diagram	15		Hinge, Spring	34	343641	Screw,
	W10107030	Energy Guide			Assembly			10-16 x 1/2 (2)
2	8565311	Top		8563962	(Left)	35	8563941	Cover, Harness
3	W10114656	Frame Assembly, Cabinet Top (Includes Items 31 & 51)	16	8563963	(Right)	36	693995	Screw, 8-18 x 3/8
4	8576784	Sound Absorber, Cabinet		8563785	Lock, Top- Front (2)	37	8543784	Bracket, Drain Hose
5	8566156	Cabinet	17	W10052730	Bearing, Lid	38	W10076920	Screw (2)
6	8566090	Panel, Rear			Hinge (2)	39	8281136	Screw, 10-16 x 3/4
7	8543781	Retainer, Drain Hose Storage	18	8577353	Lid-Inner (Includes Item 47)	40	8576476	Spacer, Rear (Cabinet/Top)
8	8578225	Sound Absorber, Cabinet	19	8572891	Lid	41	370451	Clamp, Hose
9	W10111536	Ball, Suspension (4)	20	8578826	Foot Assembly, Leveling (4)	42	371503	Clamp, Hose
10	8564009	Damper Assembly, Tub Suspension (Set Of 4-Includes Items 48 & 52)	21	W10059150	Dispenser, Fabric Softener	43	3400061	Screw, 10-16 x 9/16
11	1157158	Screw, 8-18 x 3/8	22	8566210	Bezel, Fabric Softener Dispenser	44	90016	Clip, Harness (5)
12	W10042120	Locator, Top (2)	23	W10059160	Dispenser, Bleach	45	8281736	Wire, Ground Jumper
			24	8566211	Bezel, Bleach Dispenser	46	3400076	Screw, 10-32 x 5/8
			25	8564976	Dispenser, Detergent	47	W10076780	Bumper, Lid (2)
			26	8564979	Bezel, Detergent Dispenser	48	8577896	Washer, Suspension Umbrella (4)
			27	W10106990	Nozzle Assembly, Fresh Water	49	3390647	Screw, 8-18 x 1/2
			28	371503	Clamp, Hose	50	21097	Pad, Lid Hinge (2)
			29	W10059230	Lock Assembly, Lid	51	8578386	Shield, Wire Harness
						52	8564017	Cup, Suspension (4)

FOR ORDERING INFORMATION REFER TO PARTS PRICE LIST

CONTROL PANEL PARTS

For Model: WTW6400SW2
(White)



FOR ORDERING INFORMATION REFER TO PARTS PRICE LIST

CONTROL PANEL PARTS

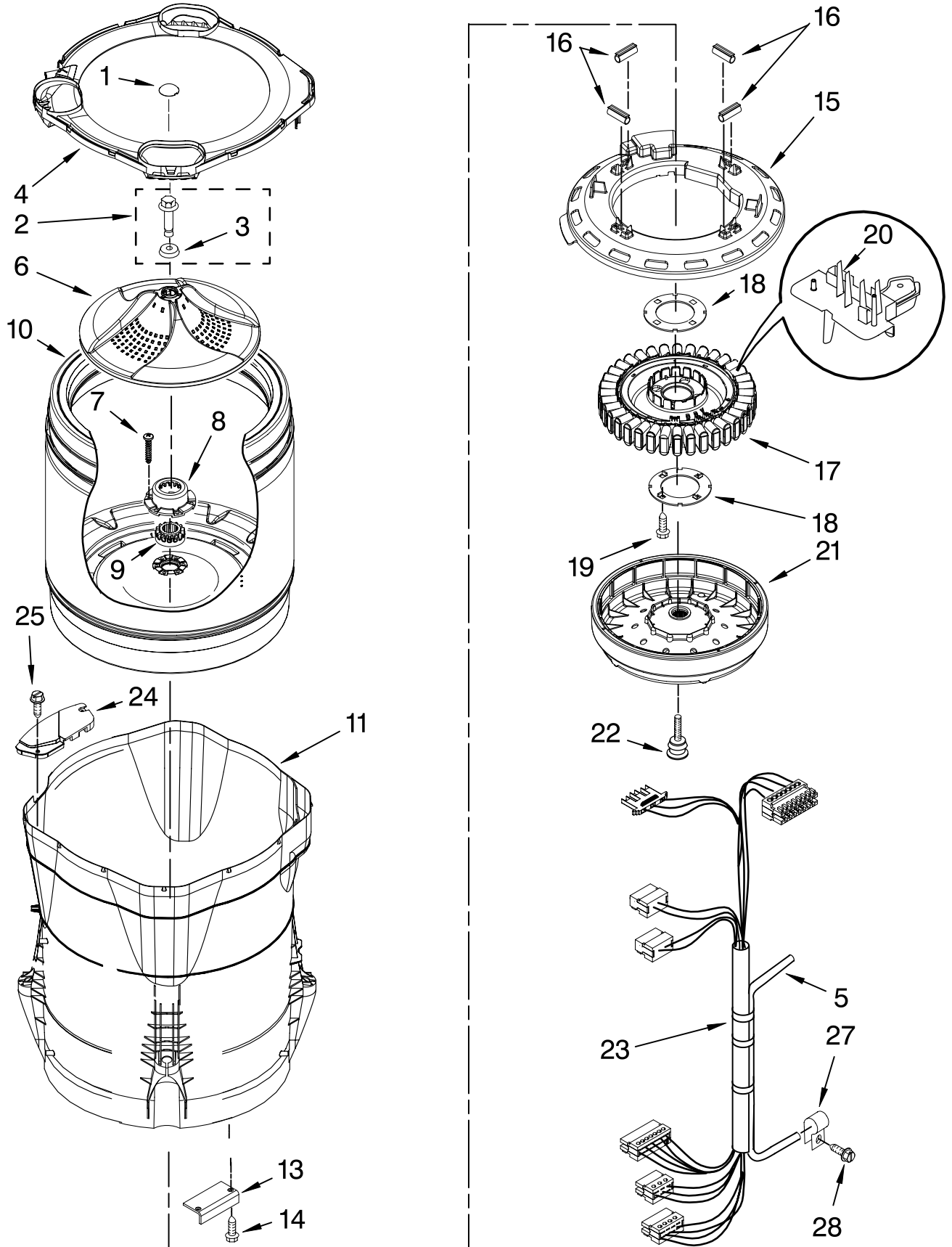
For Model: WTW6400SW2
(White)

<u>Illus.</u> <u>No.</u>	<u>Part</u> <u>No.</u>	<u>DESCRIPTION</u>
1	W10112113	Control Unit Assembly, Machine & Motor
2	8565260	Gasket, Valve Tray
3	8565304	Tray Assembly, Console (Includes Items 2 & 4)
4	8565259	Gasket, Console/Tray
5	W10059320	Valve, Log Assembly
6	8574957	Knob, Control
7	8564291	User Interface
8	W10004990	Screw, 6-20 x 1.2
9	W10070050	Console
10	8564265	Cover, Rear- User Interface
11	W10003770	Screw, 6-19 x 1/2 (3)
12	W10022060	Nut, Push-In (3)
13	W10045100	Harness, Upper
14	8565324	Screw, 10-16 x 1.75
15	8281136	Screw, 8-18 x 3/4
16	3407203	Cord Assembly, Power
17	98460	Nut, Push-In (2)
18	3976300	Washer, Water Inlet Hose (1-1/16 x 5/8)(4)
19		Hose, Water Inlet
	8571377	Blue Coupler
	8571378	Red Coupler
20	488649	Screw, Power Cord Ground
21	3407187	Harness, Thermistor

FOR ORDERING INFORMATION REFER TO PARTS PRICE LIST

MOTOR, BASKET AND TUB PARTS

For Model: WTW6400SW2
(White)



FOR ORDERING INFORMATION REFER TO PARTS PRICE LIST

MOTOR, BASKET AND TUB PARTS

For Model: WTW6400SW2

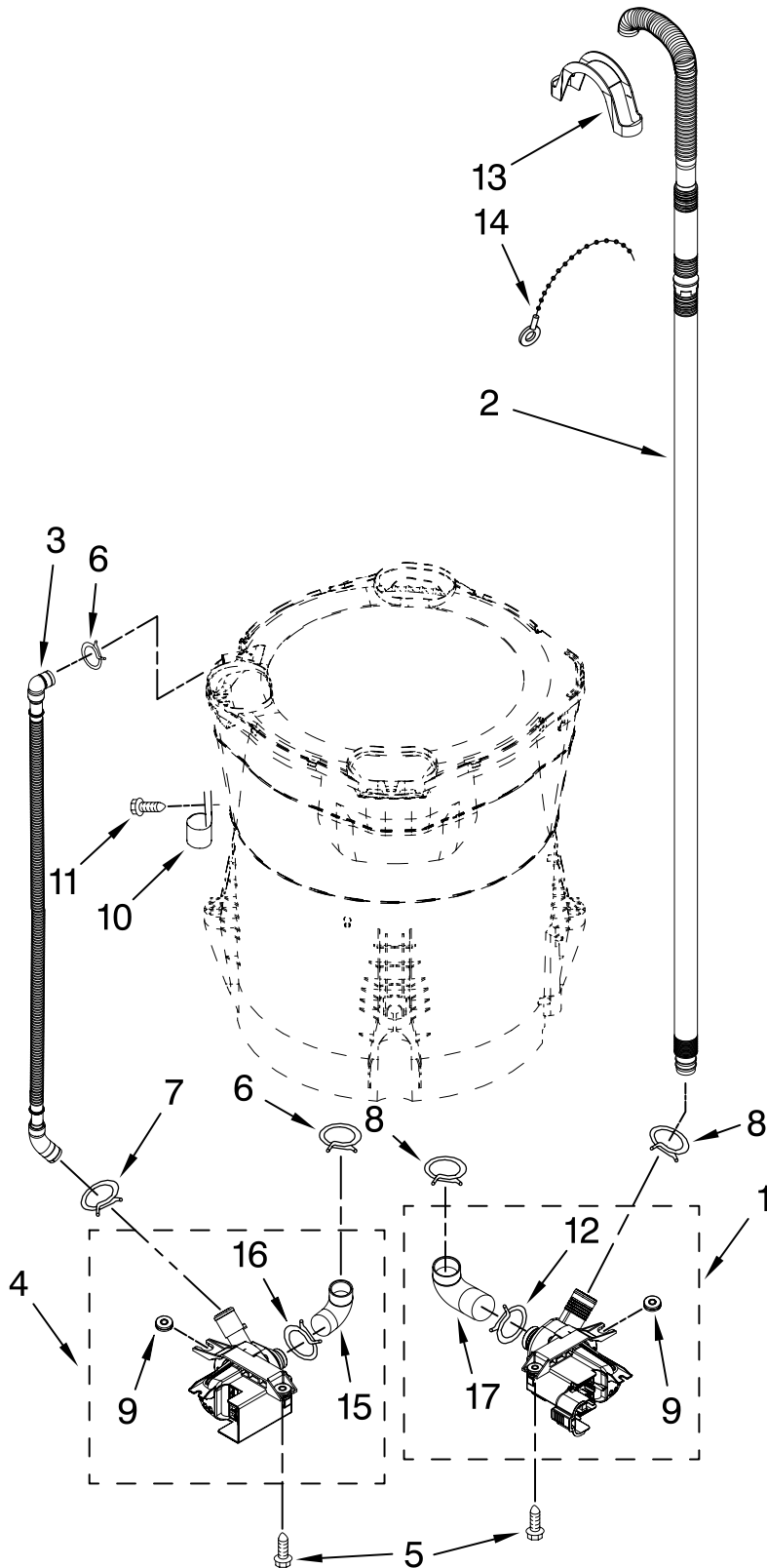
(White)

Illus.	Part	
No.	No.	DESCRIPTION
1	W10106600	Cap, Impeller
2	W10076270	Screw & Washer Assembly
3	W10076260	Washer
4	W10108430	Tub Ring
5	8572540	Hose Pressure Switch
6	W10076230	Impeller (Washplate)
7	8533953	Screw, 8-16 x 1.000 (6)
8	W10118114	Hub, Basket-Driven (Includes Item 9)
9	8545953	Hub, Basket-Driver (Includes Item 8)
10	W10118182	Basket Assembly (Includes Items 7, 8, & 9)
11	8572660	Tub & Drive Shaft Assembly
13	8542674	Weight, Tub Counterbalance
14	W10004910	Screw, 12-16 x 1-1/4 (2)
15	8557839	Shield, Drive Motor (Includes Item 16)
16	8565172	Tube, Buffer (Set Of 4)
17	8565170	Stator, Motor (Includes Item 18)
18	8557836	Plate, Stator (Set Of 2)
19	W10076010	Screw, 1/4-20 x .968 (4)
20	8565188	RPS Assembly
21	8565177	Rotor, Main Drive Motor (Includes Item 22)
22		Bolt, Rotor Assembly Non-Serviceable (Supplied W/Rotor)
23	W10058730	Harness, Lower (Includes Item 5)
24	8566197	Filter, Dual Pump Hood
25	8533928	Screw, 8-18 x 3/4 (2)
27	W10005430	Clamp, Pressure Hose Retainer
28	8533957	Screw, 10-16 x 1/2

FOR ORDERING INFORMATION REFER TO PARTS PRICE LIST

PUMP PARTS

For Model: WTW6400SW2
(White)



Illus. No.	Part No.	DESCRIPTION
1	W10049390	Pump Assembly, Drain
2	8571715	Hose, Drain
3	8543774	Hose, Recirc
4	W10049400	Pump Assembly, Recirc
5	8534063	Screw, 10-14 x 1.000
6	370449	Clamp, Hose
7	8269146	Clamp, Hose
8	8317496	Clamp, Hose
9	8182771	Grommet, Pump Mounting (4)
10	8534021	Clamp, Recirc Hose Retainer
11	8533943	Screw, 10-16 x 3/4
12	8182768	Clamp, Drain Pump Hose
13	8576642	Retainer, Drain Hose
14	3347868	Cable Tie
15	8182769	Hose, Recirc Pump
16	8182770	Clamp, Recirc Pump Hose
17	8182767	Hose, Drain Pump

FOR ORDERING INFORMATION REFER TO PARTS PRICE LIST

OPTIONAL PARTS (NOT INCLUDED)

For Model: WTW6400SW2
(White)

Illus. No.	Part No.	DESCRIPTION
-----------------------	---------------------	--------------------

PAINT, TOUCH-UP (1/2oz.)

72017 White

PAINT, PRESSURIZED SPRAY (12 oz.)

350938 Primer, Gray
350930 White

PAINT, BULK (1 qt.)

799344 White (Uncut)

WATER SYSTEM PARTS

285442 Connector Kit,
Plastic Drain
Hose
285321 Sleeve Kit,
(Contains 2
Sleeves)
285320 Siphon Break Kit
367031 Drain Protector

SEALER

285195 Sealer, Gasket
(.20 Fl. Oz.) (6 ml)

COUPLING

384496 Coupling, Hose