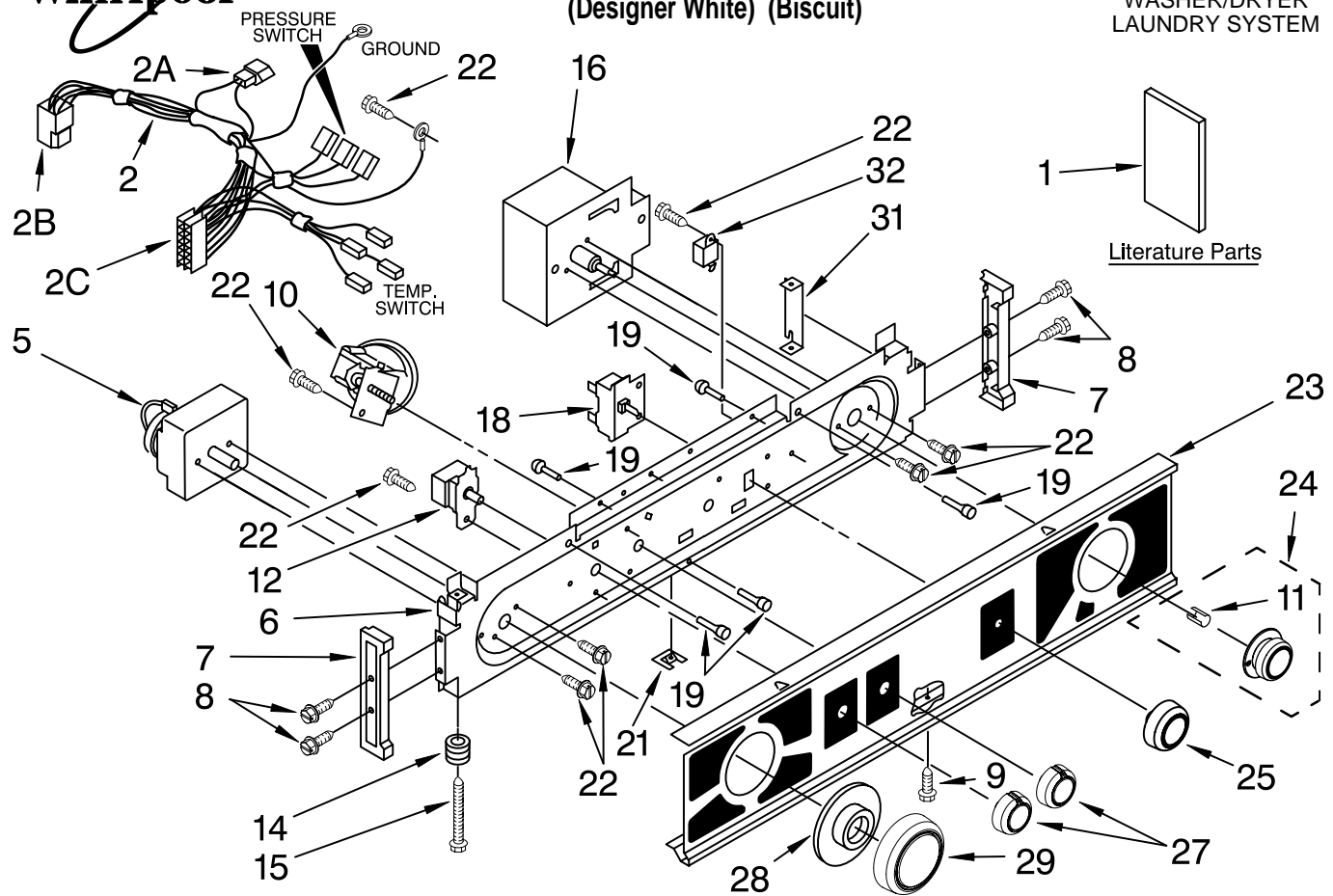




# WASHER/DRYER CONTROL PANEL PARTS

For Models: LTG5243DQ6, LTG5243DT6  
(Designer White) (Biscuit)

WASHER/DRYER  
LAUNDRY SYSTEM



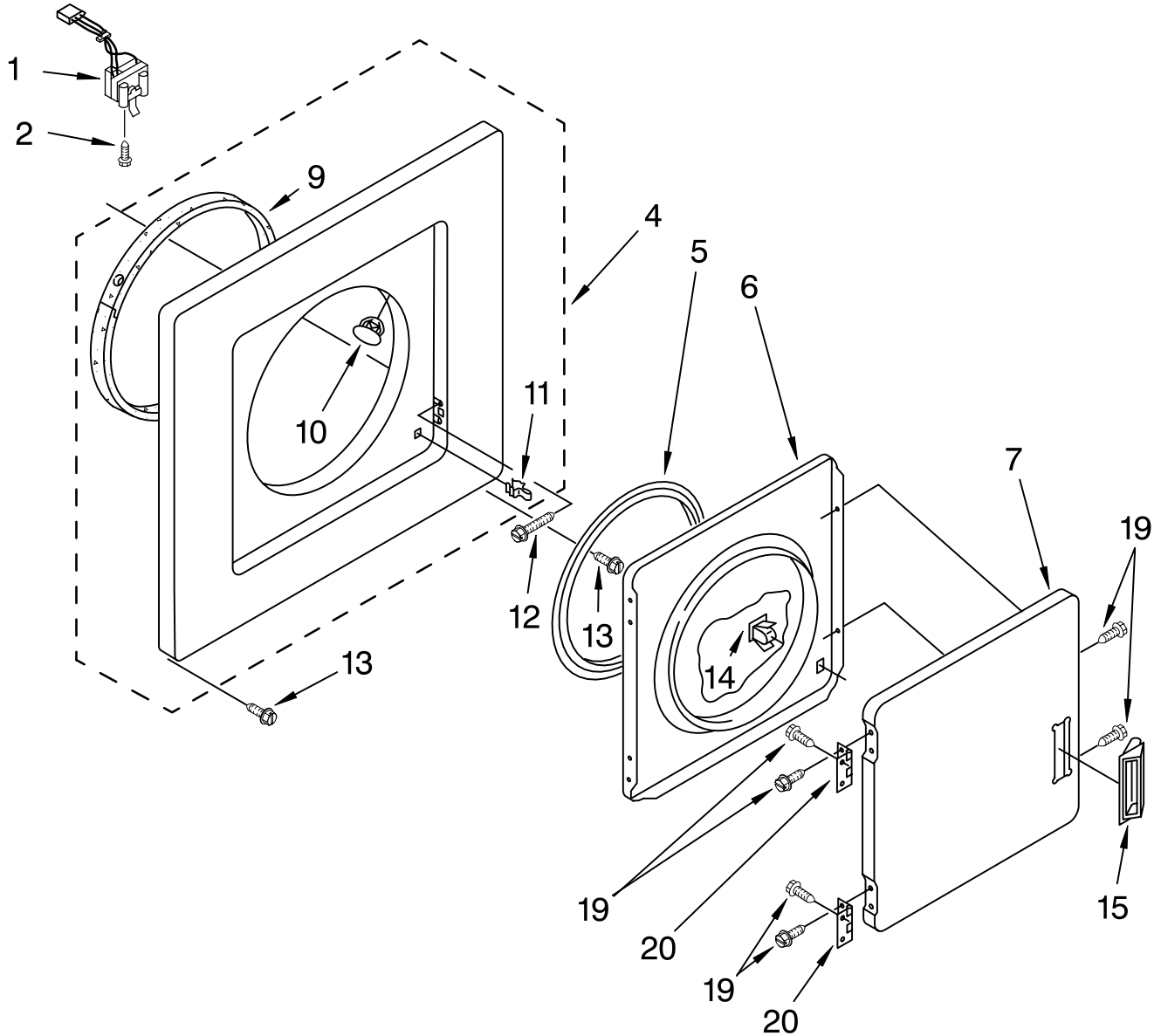
Illus. No.	Part No.	DESCRIPTION	Illus. No.	Part No.	DESCRIPTION	Illus. No.	Part No.	DESCRIPTION
1	8577218	Literature Parts Installation Instructions	5	3952499	Timer, Control (60 Hz.) (Automatic Washer)	22	3390646	Screw, (8-18 x 5/16)
	8578179	Use & Care Guide	6	8528154	Bracket, Control	23	3977194	White Panel, Control
	8542754	Sheet, Cycle Feature	7		End Cap, Console (L.H. & R.H.)		3977195	Biscuit
	8577335	Wiring Diagram		692993	White Biscuit	24	3957752	White Knob, Timer (Dryer)
	3954161	Energy Guide	8	348689	Screw, 8-18 x 3/4		3957753	White Biscuit
2	8577368	Harness, Console Wiring (Automatic) (Includes Illus. 2A, 2B & 2C)	9	694091	Screw, 8-18 x 3/8	25		Knob, Push-To-Start
2A	3350130	Plug, Terminal (2-Way) (Connects With Main Dryer Harness)	10	3362987	Switch, Water Level		3957800	White Biscuit
2B	696073	Receptacle, Connector (Connects With Lower Automatic Harness)	11	688805	Spring-Clip, Knob		3957801	Biscuit Knob, Control (2)
2C	3948614	Disconnect Block (Connects With Automatic Timer)	12	8054142	Switch, Water Temperature	27	3957796	White Biscuit
			14	693151	Spring, Console Lock (2)		3957797	Biscuit
			15	3400860	Screw, Console Lock (2)	28		Dial, Timer (Washer)
			16	3406720	Timer, Control (60 Hz.) (Dryer) (Timer Motor Not Serviceable)		3957841	White Biscuit
			18	3977456	Switch, Push-To-Start	29	3957842	Biscuit Knob, Timer (Washer)
			19	693152	Bumper, Console (5)		3957821	White Biscuit
			21	694037	Clip, Console		3957822	Biscuit
						31	692983	Lock, Console (2)
						32	694419	Buzzer

FOR ORDERING INFORMATION REFER TO PARTS PRICE LIST

# DRYER FRONT PANEL AND DOOR PARTS

For Models: LTG5243DQ6, LTG5243DT6

(Designer White) (Biscuit)



Illus. No.	Part No.	DESCRIPTION
1	3406108	Door Switch
2	697773	Screw, 6-20 x 7/8
4	692619	Panel, Front White
5	3978587	Biscuit
6	3390734	Seal, Door
	695656	Door, Rear

Illus. No.	Part No.	DESCRIPTION
7	348205	Door, Front White
	3978598	Biscuit
9	8066123	Bearing & Seal
10	685203	Clip, Felt Pad (2)
11	696144	Strike, Panel
12	3390663	Screw, 10-16 x 1/2

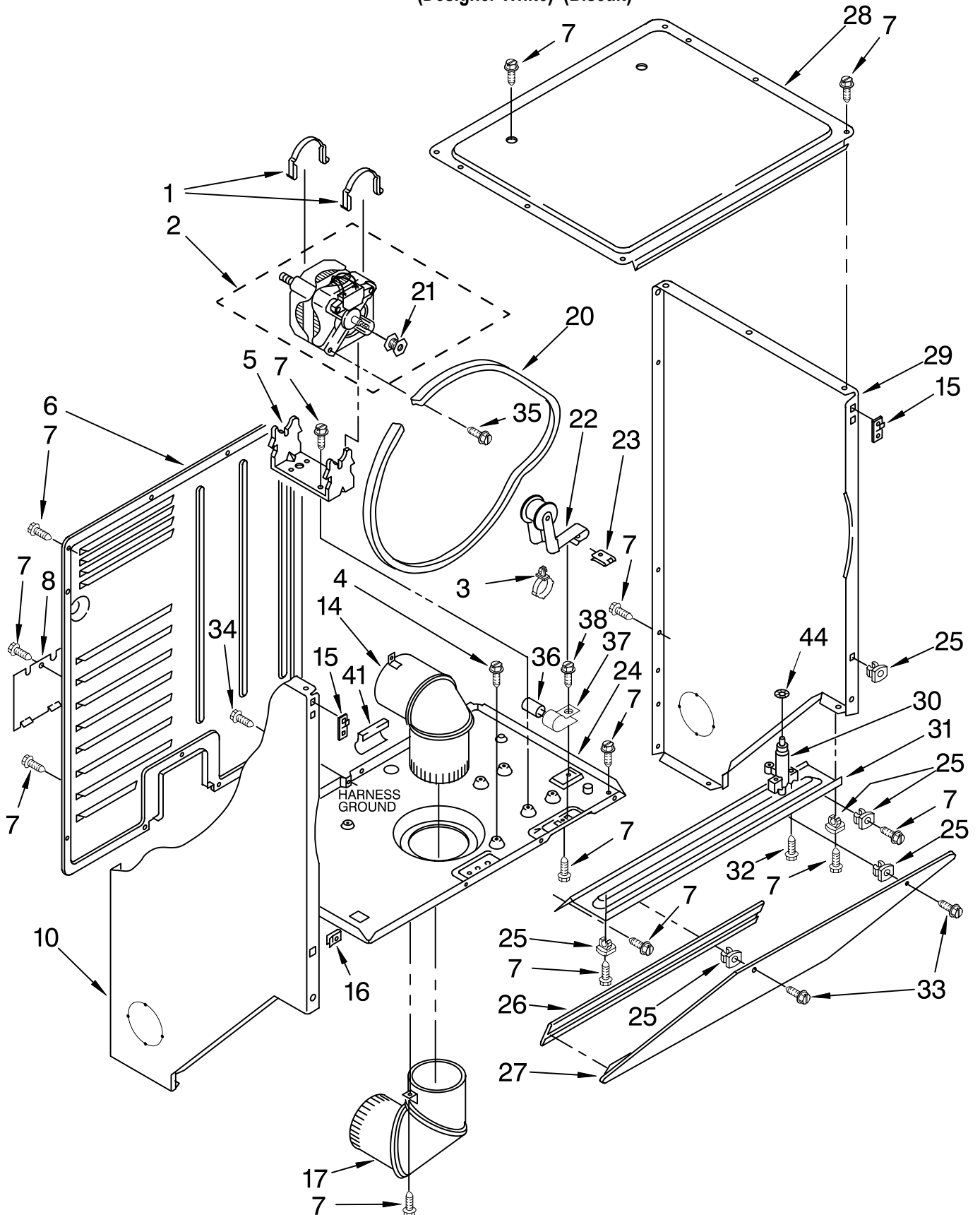
Illus. No.	Part No.	DESCRIPTION
13	343641	Screw, 10-16 x 1/2
14	3389441	Catch, Door
15	686711	Handle, Door White
	3978592	Biscuit
19	694091	Screw, 8-18 x 3/8
20	348023	Hinge & Pin, Door (2)

FOR ORDERING INFORMATION REFER TO PARTS PRICE LIST

# DRYER CABINET AND MOTOR PARTS

For Models: LTG5243DQ6, LTG5243DT6

(Designer White) (Biscuit)



FOR ORDERING INFORMATION REFER TO PARTS PRICE LIST

# DRYER CABINET AND MOTOR PARTS

For Models: LTG5243DQ6, LTG5243DT6

(Designer White) (Biscuit)

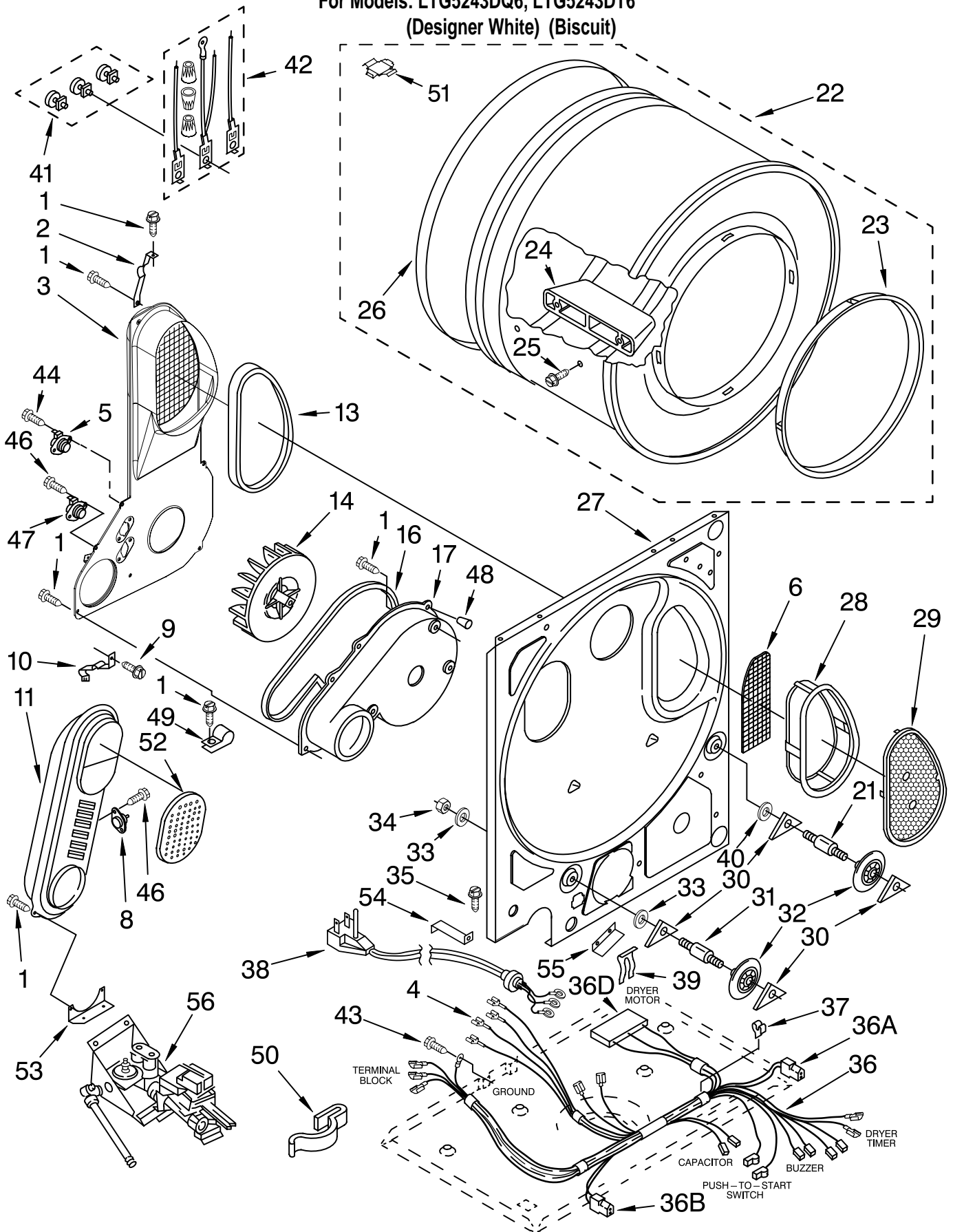
Illus. No.	Part No.	DESCRIPTION	Illus. No.	Part No.	DESCRIPTION	Illus. No.	Part No.	DESCRIPTION
1	660658	Clamp, Motor Mounting (2)	21	8066051	Pulley, Motor (60 Hz.)	31		Closure, Control Area
2	8538265	Motor, Main Drive (60 Hz.)	22	691366	Idler & Pulley Assembly		692781	White
3	3352501	Clip	23	692771	Nut, Idler Bracket To Base	32	3978599	Biscuit
4	3351614	Screw, 10-24 x 3/8	24	3399633	Base, Dryer		354975	Screw & Washer (3) (Lid Latch Mounting)
5	696541	Bracket, Motor	25	692400	Nut, Push-In	33	693304	Screw & Washer (2) (Transition Panel To Closure)
6	3390405	Panel, Rear	26	692926	Cove, Transition Panel (Black)	34	697776	Screw, Ground (10-32 x 5/8)
7	343641	Screw, 10-16 x 1/2	27		Panel, Transition White	35	3390631	Screw, 10-16 x 3/8
8	3394228	Cover, Terminal Block		692933	White	36	8572717	Capacitor, Motor Start (Automatic Washer)
10		Panel, Side (L.H.)		3978591	Biscuit	37	357030	Clamp, Capacitor
	3402293	White	28	692641	Top, Dryer	38	343641	Screw, Capacitor Mounting
	3978589	Biscuit	29		Panel, Side (R.H.)	41	686770	Edge, Protector
14	3399602	Elbow, Upper		3402287	White	44	90296	Clip
15	3394083	Clip, Front Panel (2)		3978590	Biscuit			
16	98234	Clip, Ground	30	693145	Latch, Lid			
17	3399603	Elbow, Lower						
20	8066064	Belt, Drive						

FOR ORDERING INFORMATION REFER TO PARTS PRICE LIST

# DRYER BULKHEAD PARTS

For Models: LTG5243DQ6, LTG5243DT6

(Designer White) (Biscuit)



FOR ORDERING INFORMATION REFER TO PARTS PRICE LIST

# DRYER BULKHEAD PARTS

For Models: LTG5243DQ6, LTG5243DT6

(Designer White) (Biscuit)

Illus. No.	Part No.	DESCRIPTION	Illus. No.	Part No.	DESCRIPTION	Illus. No.	Part No.	DESCRIPTION
1	343641	Screw, 10-16 x 1/2	29	8531967	Cover, Lint Screen Outlet	39	694415	Strain Relief, Power Cord
2	3395396	Clip, Air Duct To Bulkhead	30	690997	Tri-Ring (4)	40	3388703	Washer, Support
3	8566187	Air Duct & Cover	31	3399506	Shaft, Drum Roller (L.H.)	41	279393	Screw Kit (For Terminal Block)
4	94614	Terminal	32	3397590	Roller, Support (2)	42	279318	Terminal, Tinned & Brass (3) (Includes Illus. 41)
5	3398128	Thermostat, Internal Bias	33	348197	Washer, Support (4)	43	697776	Screw, 10-32 x 1/2
6	348378	Screen, Back-up	34	3359452	Nut, 3/8-16 (2)	44	3390647	Screw, 8-18 x 1/2
8	3403140	Thermostat, Heater Box 205°F (96C)	35	3390631	Screw, 10-16 x 3/8	46	90767	Screw, 8-18 X 3/8
9	489463	Screw, 8-18 x 5/8	36	8299829	Harness, Main Dryer Wiring (Includes Illus. 36A, 36B, 36D)	47	8572767	Thermal Limiter 195°F (91C)
10	3398161	Clip, Heater Box To Bulkhead	36A	717252	Receptacle, Terminal (2-Way) (Connects With Door Switch Harness)	48	359702	Cap, Screw
11	697269	Heater Box				49	255563	Clip, Strain Relief
13	339956	Seal, Air Duct To Bulkhead	36B	697780	Receptacle, (Gas Valve)	50	3400935	Clip, Harness
14	696426	Wheel, Blower	36D	3395683	Receptacle, Multi-Terminal (Connects With Dryer Motor)	51	8066086	Drum, Hole Plug
16	8066094	Seal, Fan Scroll				52	345335	Cover, Manifold
17	696418	Fan Scroll				53	347455	Support, Heater Box
21	3399507	Shaft, Drum Roller (R.H.)				54	3387208	Support, Corner Gas
22	695943	Drum, Dryer	37	693141	Clip, Wiring Harness (3)	55	697571	Guard, Sock
23	3394508	Ring, Bearing	38	694018	Cord, Power	56	3402856	Burner (Refer to page 19 For Complete Breakdown)
24	685207	Baffle, Drum (3)						
25	97787	Screw, 11-16 x 3/4						
26	345648	Seal, Drum Rear						
27	697540	Bulkhead						
28	8531964	Lint Screen						

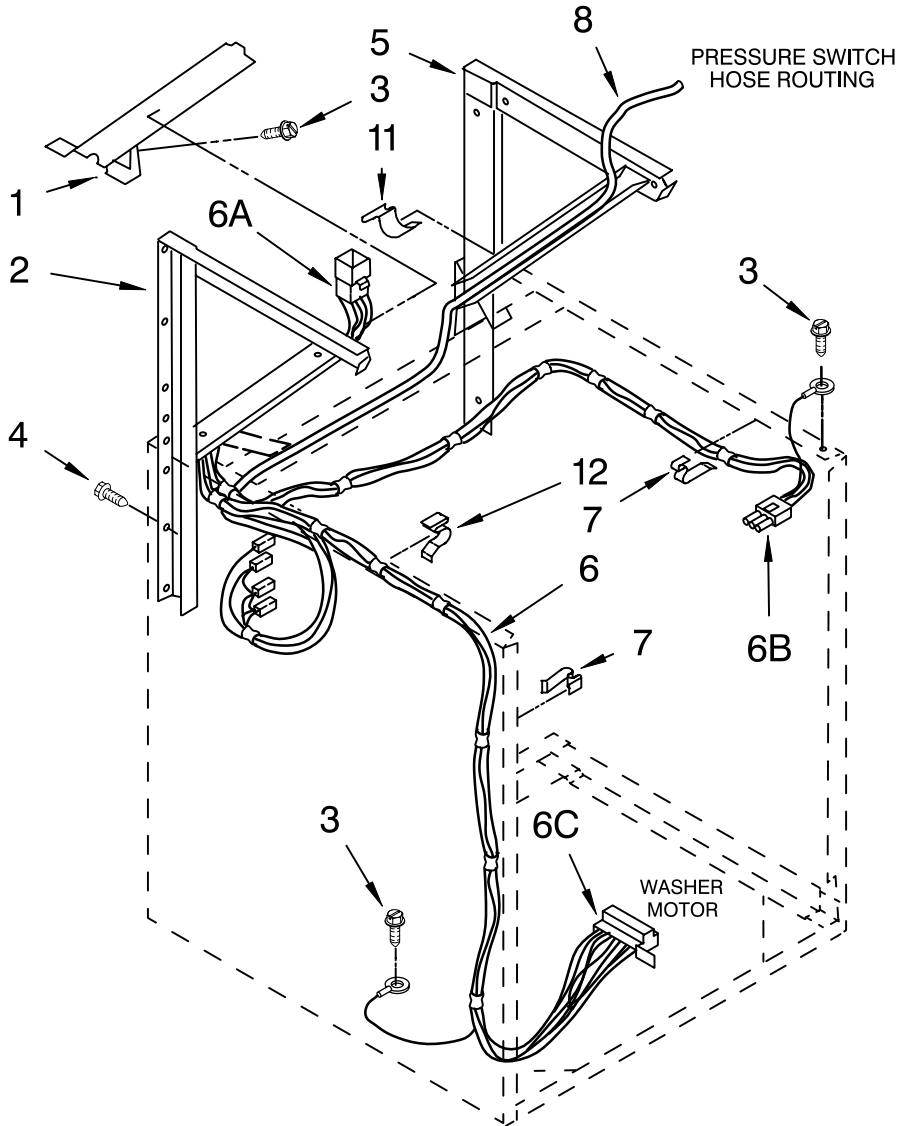
FOR ORDERING INFORMATION REFER TO PARTS PRICE LIST

# DRYER SUPPORT AND WASHER PARTS

For Models: LTG5243DQ6, LTG5243DT6

(Designer White) (Biscuit)

Illus. No.	Part No.	DESCRIPTION
1	694304	Cover, Channel
2	692647	Support, Dryer (L.H.)
3	343641	Screw, 10-16 x 1/2
4	3400000	Screw, 10-24 x 3/8 (8) (Washer Cabinet To Dryer Supports)
5	692646	Support, Dryer (R.H.)
6	3957867	Harness, Lower (Automatic) (Includes Illus. 6A, 6B & 6C)
6A	696074	Plug, Terminal (12-Way) (Connects With Automatic Console Harness)
6B	62889	Plug, Terminal (3-Way) (Connects With Automatic Lid Switch Harness)
6C	62505	Block, Disconnect (Connects With Automatic Washer Motor)
7	3347812	Clip, Wiring Harness (4)
8	8066080	Hose, Pressure Switch
11	90016	Clip, Pressure Switch Hose (2)
12	693141	Clip, Harness

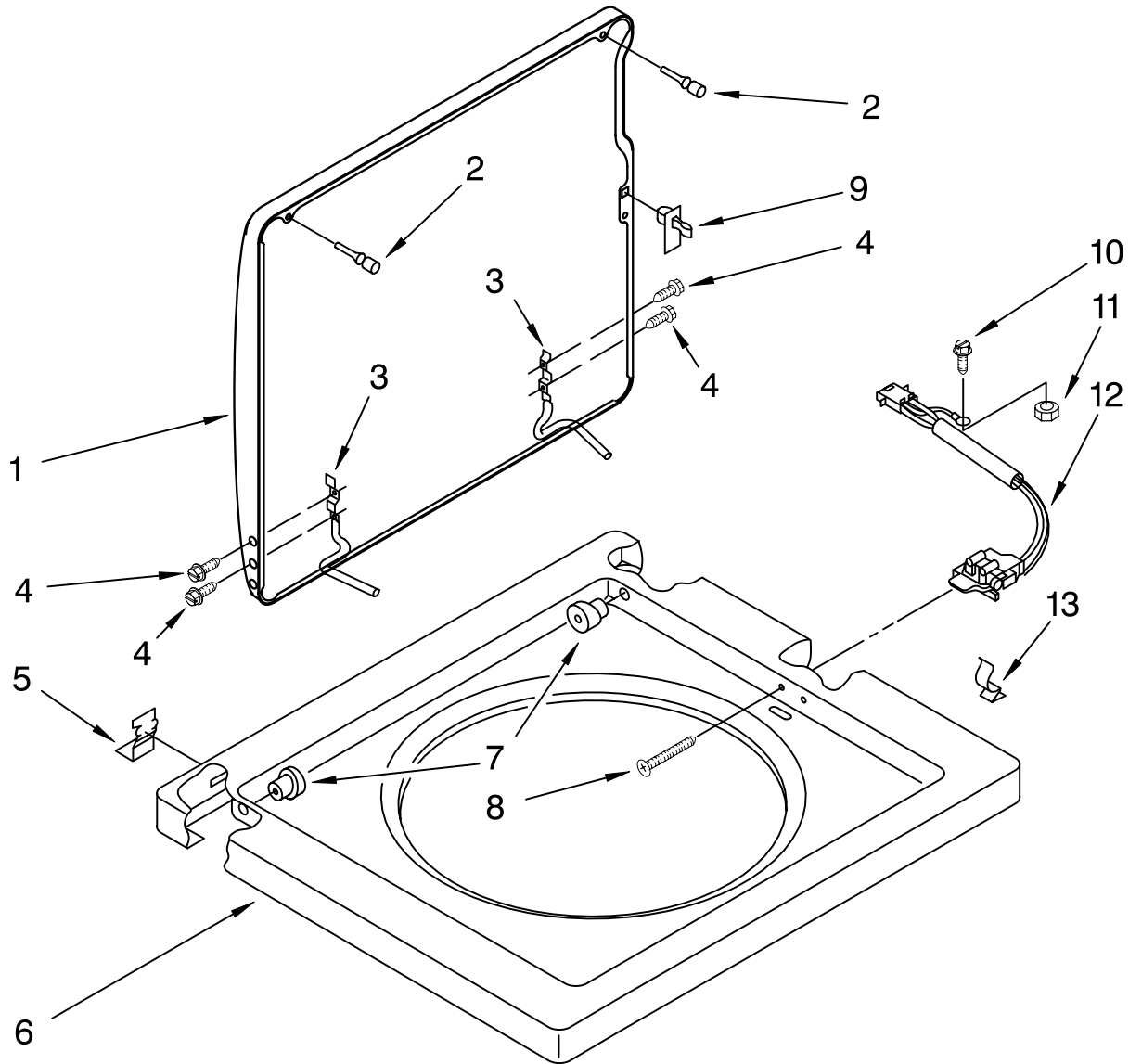


FOR ORDERING INFORMATION REFER TO PARTS PRICE LIST

# WASHER TOP AND LID PARTS

For Models: LTG5243DQ6, LTG5243DT6

(Designer White) (Biscuit)



Illus. No.	Part No.	DESCRIPTION
1		Lid
	3398848	White
	3398849	Biscuit
2	384475	Bumper, Lid (2)
3	91770	Hinge, Lid (2)
4	3351355	Screw, Lid Hinge Mounting (4)
5	692985	Clip, Spring (2) (Top To Cabinet)

Illus. No.	Part No.	DESCRIPTION
6		Top
	384693	White
	3978593	Biscuit
7	21258	Bearing, Lid Hinge (2)
8	3356311	Screw & Washer, Lid Switch Shield (2)

Illus. No.	Part No.	DESCRIPTION
9	358684	Strike, Lid Switch
10	3400030	Screw, 10-24 x 1/2
11	8533959	Nut, Ground Screw
12	3355806	Switch, Lid
13	90016	Clip, Harness Routing

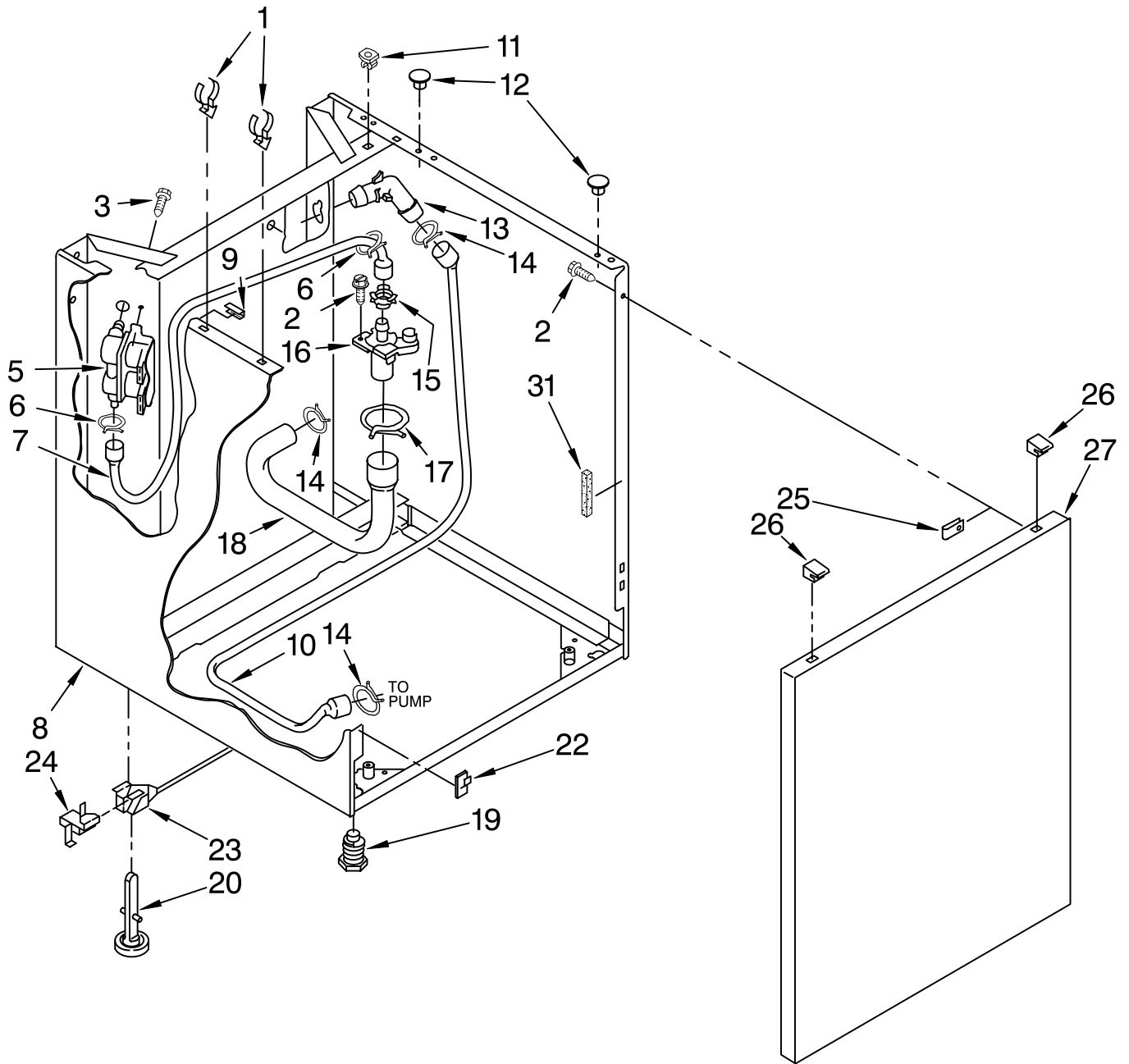
FOR ORDERING INFORMATION REFER TO PARTS PRICE LIST



# WASHER CABINET PARTS

For Models: LTG5243DQ6, LTG5243DT6

(Designer White) (Biscuit)



FOR ORDERING INFORMATION REFER TO PARTS PRICE LIST

# WASHER CABINET PARTS

For Models: LTG5243DQ6, LTG5243DT6

(Designer White) (Biscuit)

Illus. No.	Part No.	DESCRIPTION
1	356746	Clip, Condenser
2	343641	Screw, 10-16 x 1/2
3	9740848	Screw, Mixing Valve Mounting
5	3952163	Valve, Water Mixing
6	370451	Clamp, Hose
7	692699	Hose, Water Inlet (Siphon Break To Mixing Valve)
8		Cabinet
	696013	White
	3978594	Biscuit
9	3390046	Protector, Edge
10	696710	Hose, Drain
11	692400	Nut, Push-In (2)
12	660975	Plug, Top To Cabinet
13	8557915	Connector, Hose
14	370445	Clamp, Hose
15	356471	Cap, Siphon Break
16	356363	Siphon Break
17	272861	Clamp, Hose
18	696394	Hose, Water Inlet (Siphon Break To Tub Ring)
19	367594	Foot, Front (2)
20	358594	Foot, Rear (2)
22	3394083	Clip, Front Panel
23	358652	Link, Leveling
24	359364	Clip, Leveling Mechanism (2)
25	98234	Clip, Ground
26	345670	Lock, Top (2)
27		Panel, Front
	692628	White
	3978596	Biscuit
31	3350013	Foam (2)

FOR ORDERING INFORMATION REFER TO PARTS PRICE LIST

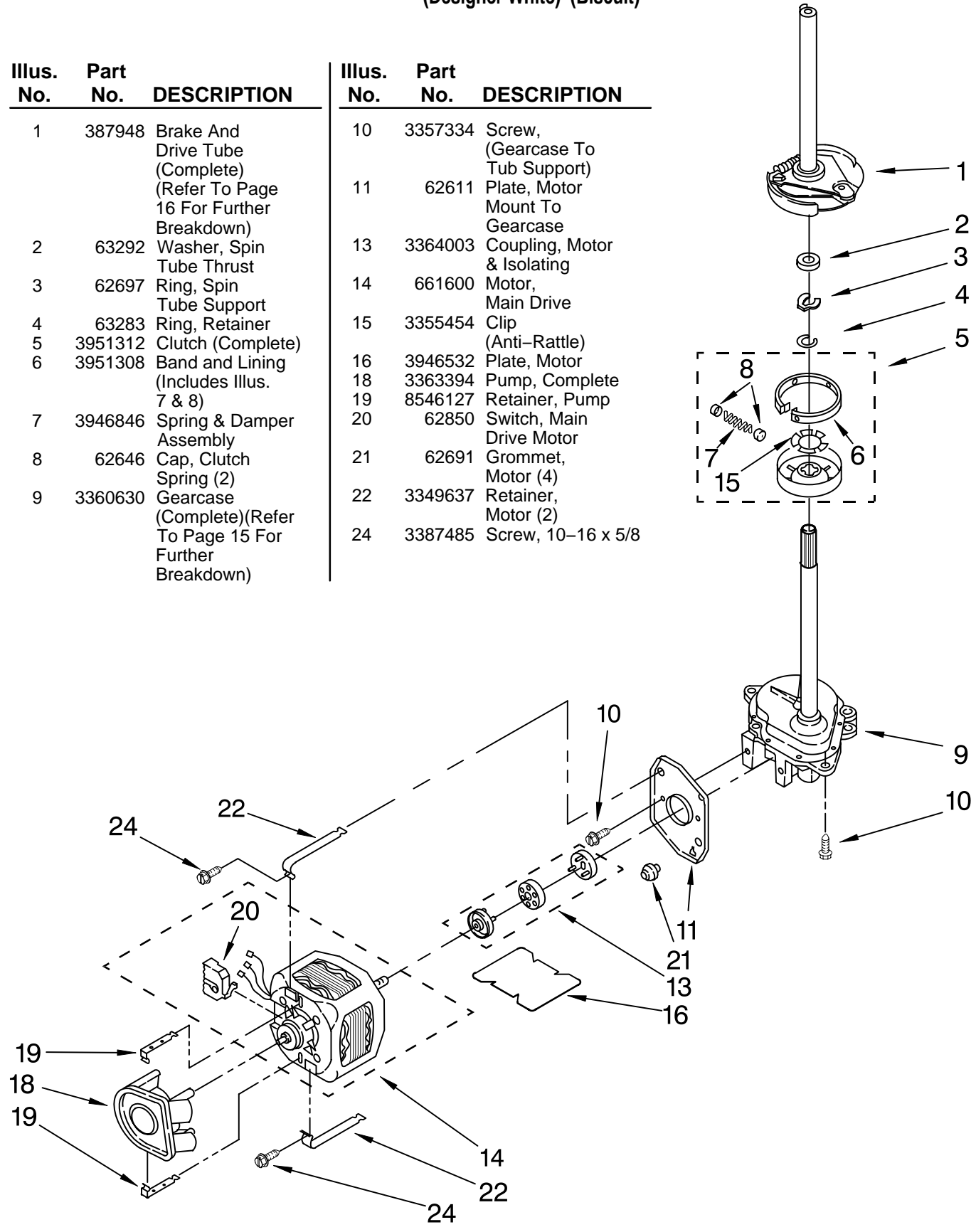
# BRAKE, CLUTCH, GEARCASE, MOTOR AND PUMP PARTS

For Models: LTG5243DQ6, LTG5243DT6

(Designer White) (Biscuit)

Illus. No.	Part No.	DESCRIPTION
1	387948	Brake And Drive Tube (Complete) (Refer To Page 16 For Further Breakdown)
2	63292	Washer, Spin Tube Thrust
3	62697	Ring, Spin Tube Support
4	63283	Ring, Retainer
5	3951312	Clutch (Complete)
6	3951308	Band and Lining (Includes Illus. 7 & 8)
7	3946846	Spring & Damper Assembly
8	62646	Cap, Clutch Spring (2)
9	3360630	Gearcase (Complete)(Refer To Page 15 For Further Breakdown)

Illus. No.	Part No.	DESCRIPTION
10	3357334	Screw, (Gearcase To Tub Support)
11	62611	Plate, Motor Mount To Gearcase
13	3364003	Coupling, Motor & Isolating
14	661600	Motor, Main Drive
15	3355454	Clip (Anti-Rattle)
16	3946532	Plate, Motor
18	3363394	Pump, Complete
19	8546127	Retainer, Pump
20	62850	Switch, Main Drive Motor
21	62691	Grommet, Motor (4)
22	3349637	Retainer, Motor (2)
24	3387485	Screw, 10-16 x 5/8

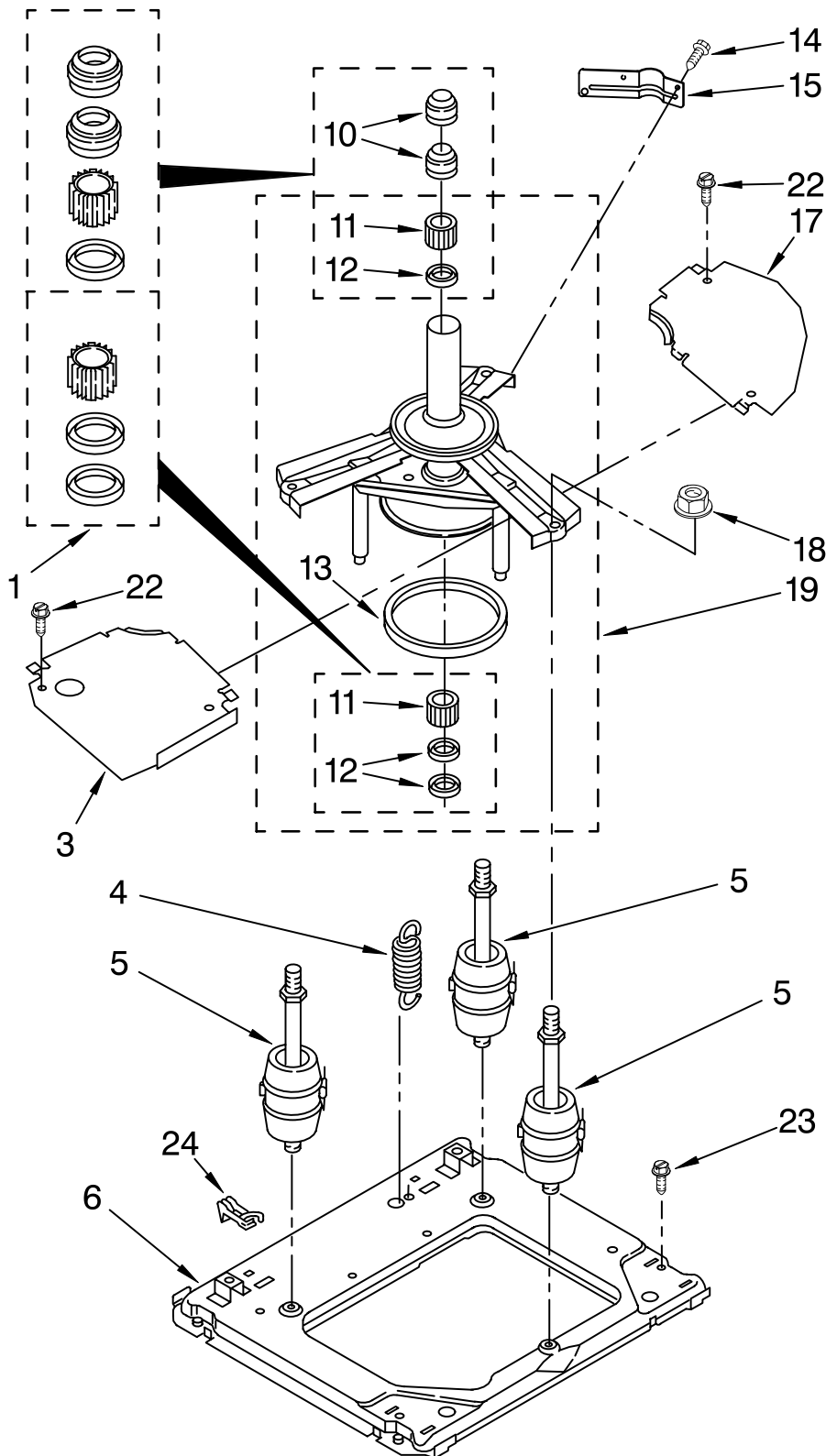


FOR ORDERING INFORMATION REFER TO PARTS PRICE LIST

# MACHINE BASE PARTS

For Models: LTG5243DQ6, LTG5243DT6

(Designer White) (Biscuit)



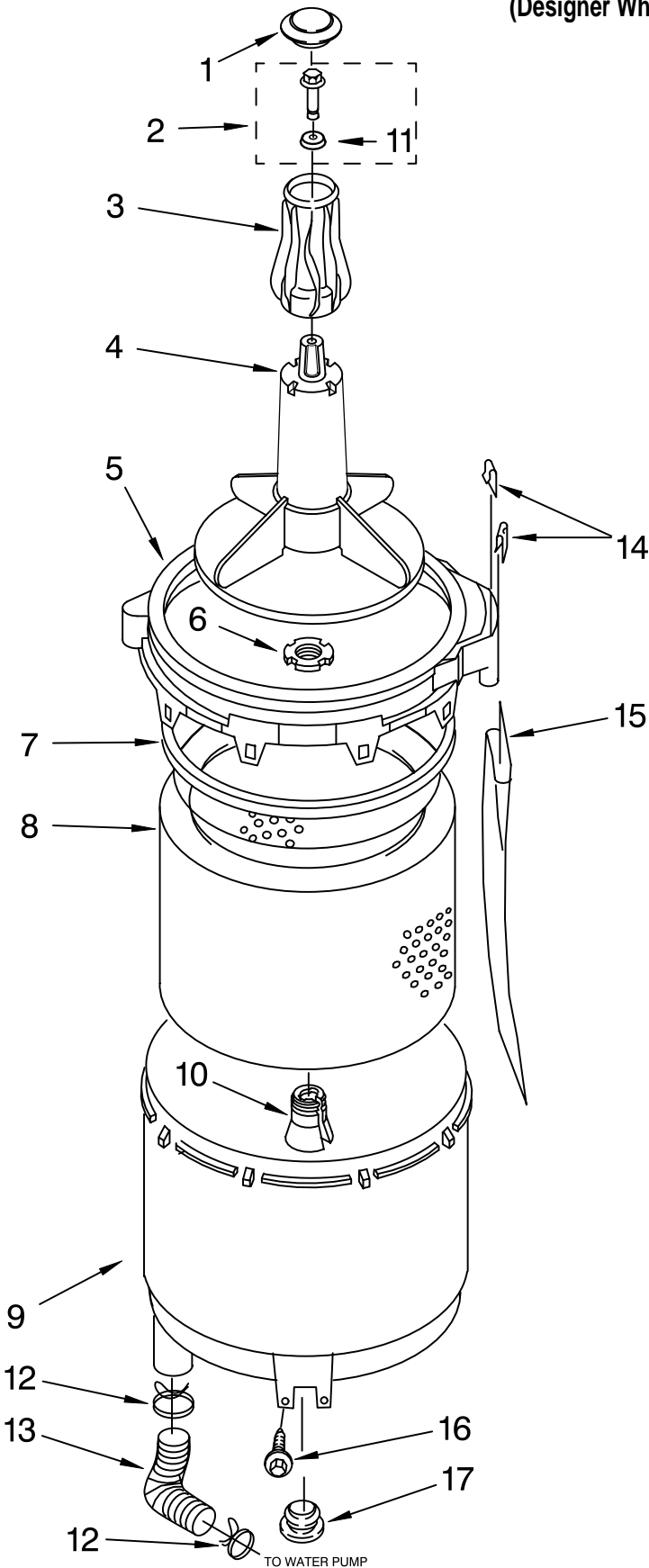
Illus. No.	Part No.	DESCRIPTION
1	285203	Centerpost Bearing Kit (Incls. Illus. 10, 11, & 12)
3	64137	Shield, Tub
4	388492	Spring, Counterweight
5	3406201	Suspension Assembly (3)
6	8577373	Base
10	356934	Seal, Centerpost
11	3347047	Bearing, Centerpost (2)
12	357409	Seal, Centerpost
13	63134	Ring, Sound Deadening
14	343641	Screw, 10-16 x 1/2
15	63636	Bracket, Counterweight Spring
17	63637	Shield, Tub
18	3351021	Nut, 1/2 - 13 (1)
19	63740	Tub Support and Drum
22	90767	Screw, 8-18 x 3/8
23	386011	Screw & Washer (Base To Cabinet)
24	696044	Block, Restraint

FOR ORDERING INFORMATION REFER TO PARTS PRICE LIST

# TUB AND BASKET PARTS

For Models: LTG5243DQ6, LTG5243DT6

(Designer White) (Biscuit)



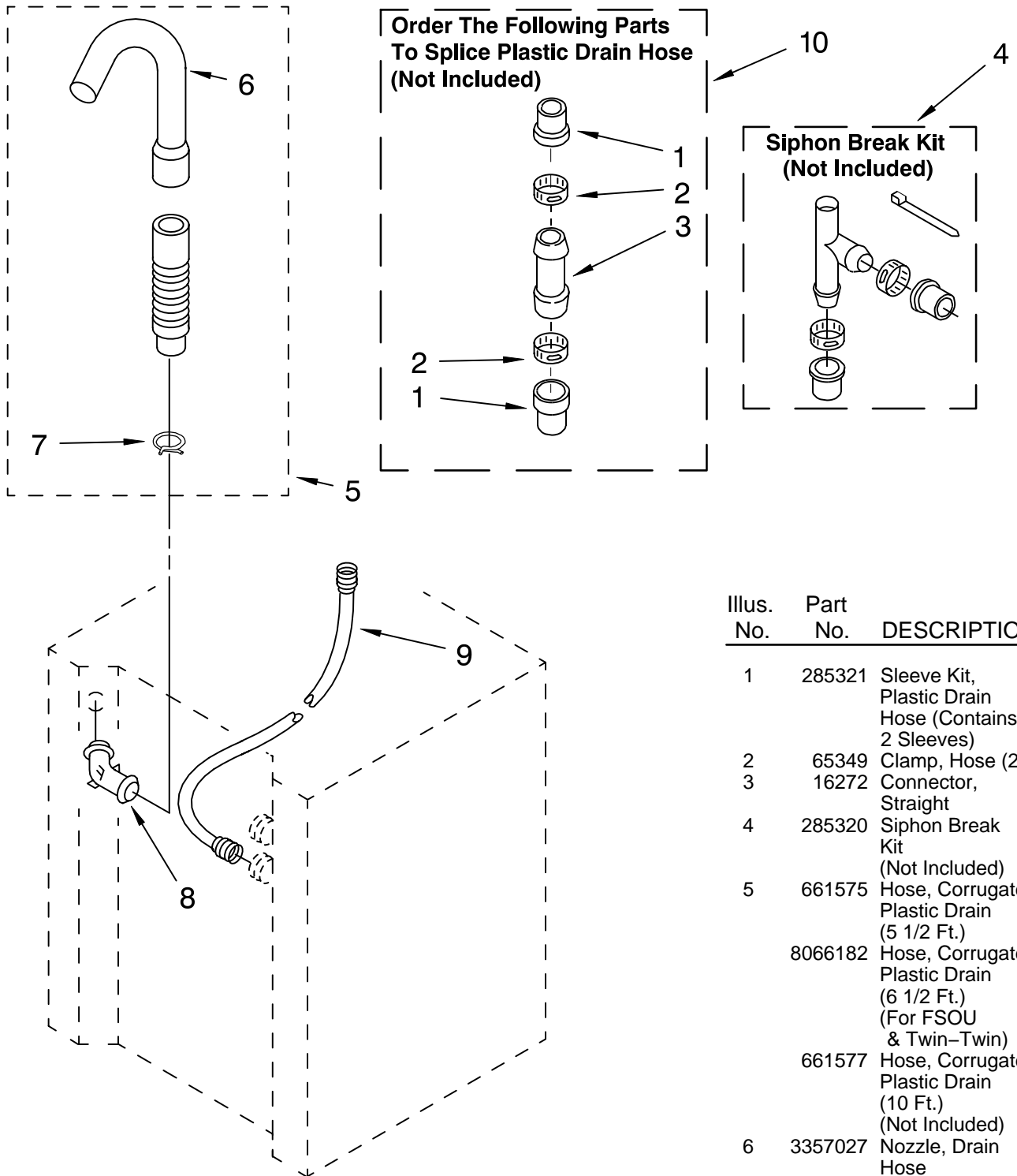
Illus. No.	Part No.	DESCRIPTION
1	3355758	Cap, Agitator
2	358237	Screw & Washer (5/16-24 x 1)
3	63840	Filter, Agitator
4	3349098	Agitator
5	64175	Tub Ring & Gasket (Includes Illus. 7, 14 & 15)
6	21366	Nut, Spanner
7	3359587	Gasket, Tub Ring
8	3351985	Basket
9	8066082	Tub
10	389140	Block, Basket Drive
11	3949550	Washer
12	3363366	Clamp, Hose
13	8066201	Hose, Tub To Pump
14	352155	Clip, Retaining
15	356398	Tube, Drain Off
16	357640	Screw & Washer (Tub Mounting)
17	383727	Gasket, Centerpost

FOR ORDERING INFORMATION REFER TO PARTS PRICE LIST

# WATER SYSTEM PARTS

For Models: LTG5243DQ6, LTG5243DT6

(Designer White) (Biscuit)



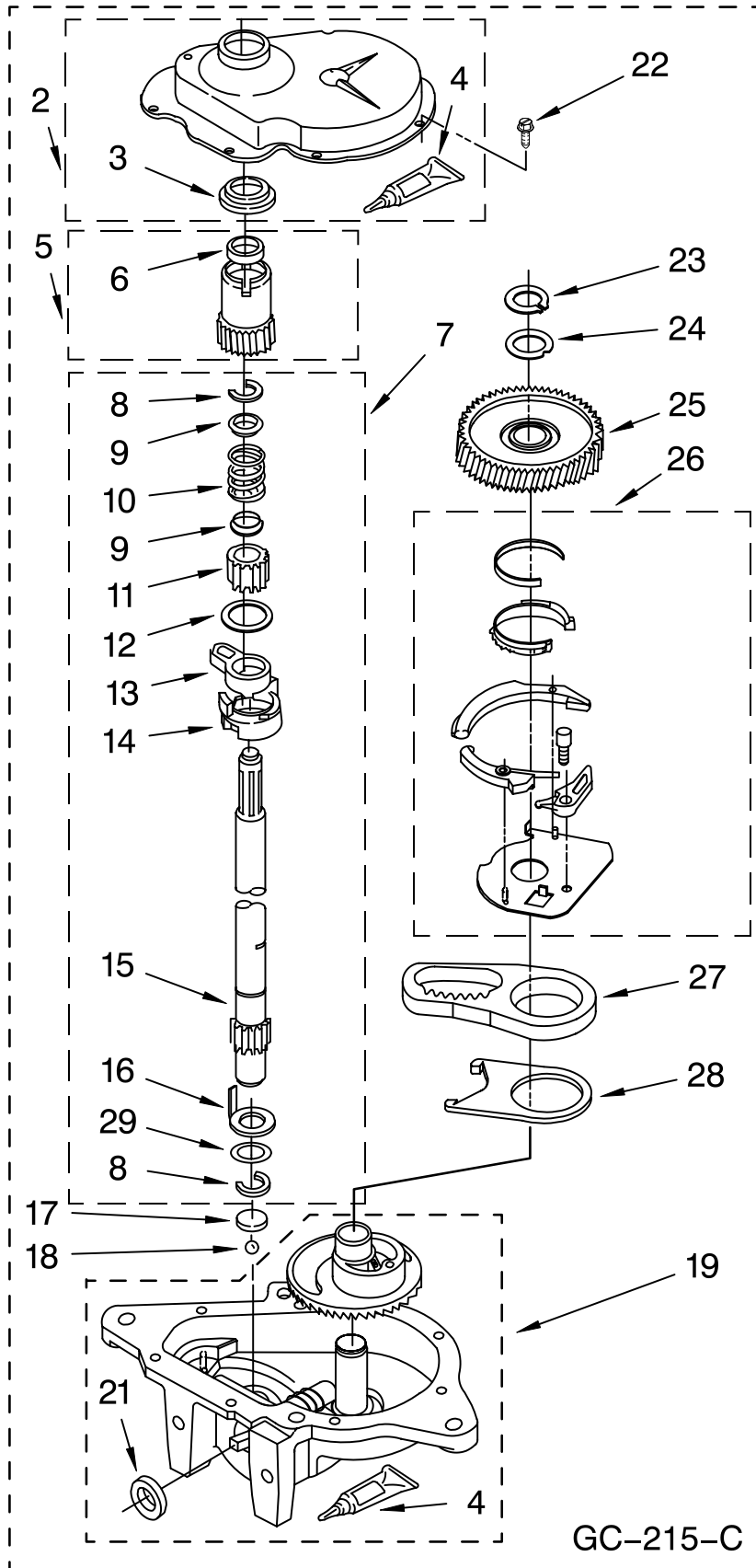
WS-900C

Illus. No.	Part No.	DESCRIPTION
1	285321	Sleeve Kit, Plastic Drain Hose (Contains 2 Sleeves)
2	65349	Clamp, Hose (2)
3	16272	Connector, Straight
4	285320	Siphon Break Kit (Not Included)
5	661575	Hose, Corrugated Plastic Drain (5 1/2 Ft.)
	8066182	Hose, Corrugated Plastic Drain (6 1/2 Ft.) (For FSOU & Twin-Twin)
	661577	Hose, Corrugated Plastic Drain (10 Ft.) (Not Included)
6	3357027	Nozzle, Drain Hose
7	3357331	Clamp, Hose
8	356739	Connector, Hose
9	3354858	Hose, Inlet (2)
10	285442	Connector Kit, Plastic Drain Hose

FOR ORDERING INFORMATION REFER TO PARTS PRICE LIST

# GEARCASE PARTS

For Models: LTG5243DQ6, LTG5243DT6  
(Designer White) (Biscuit)



Illus. No.	Part No.	DESCRIPTION
1	3360630	Gearcase (Complete)
2	285202	Cover, Gearcase
3	3349985	Seal, Gearcase Cover
4	285195	Sealer, Gasket (.20 Fl. Oz.) (6 ml)
5	63320	Pinion, Spin (Includes Illus. 25)
6	356427	Seal, Spin Pinion
7	389387	Shaft, Agitator (Complete)
8	90369	Ring, Retaining (2)
9	62677	Retainer, Spring
10	62676	Spring, Agitate
11	63273	Gear, Agitate (Includes 15 and 29)
12	62619	Washer, Agitate Gear
13	62580	Cam Follower (Includes 14)
14	62581	Cam, Agitate (Includes 13)
15	285509	Shaft, Agitator (Includes 11 and 29)
16	62618	Washer, Cam Thrust
17	16018	Bearing, Thrust
18	85529	Ball, Bearing
19	389230	Bottom and Pinion, Gearcase
21	285352	Seal, Thrust Plug
22	3351614	Screw, Gearcase Cover, Mounting (8) (10-24 x 3/8)
23	3362552	Ring, Retaining
24	285735	Washer Kit, Thrust
25	62570	Gear, Spin
26	388253	Neutral Assembly
27	3349296	Rack, Connecting
28	62621	Actuator, Shift
29	388815	Washer, Intermediate

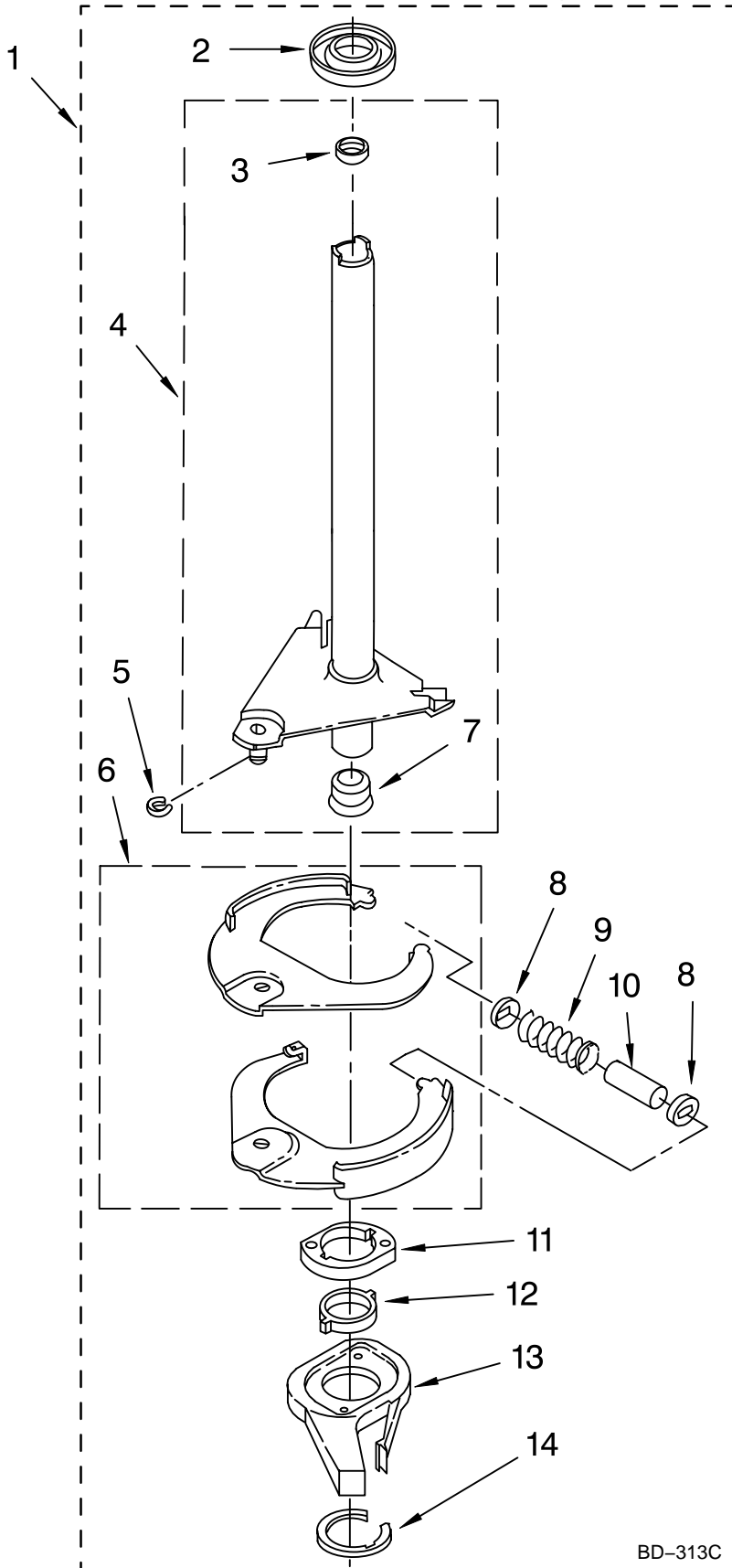
GC-215-C

FOR ORDERING INFORMATION REFER TO PARTS PRICE LIST

# BRAKE AND DRIVE TUBE PARTS

For Models: LTG5243DQ6, LTG5243DT6

(Designer White) (Biscuit)



Illus. No.	Part No.	DESCRIPTION
1	387948	Brake And Drive Tube (Complete)
2	62658	Ring, Thrust
3	356427	Seal, Drive Tube
4	64027	Tube, Basket Drive (Includes Illus. 3, 4, 5 & 9)
5	64035	Ring, Retaining
6	64232	Shoe, Brake (2)
7	62703	"T" Bearing, Spin Tube
8	3353956	Cap, Brake Spring (2)
9	63748	Spring, Brake
10	3355360	Sleeve, Brake Spring
11	661516	Cam, Brake Release
12	63022	Sleeve, Cam
13	64194	Driver, Brake Cam
14	90368	Ring, Retaining

**FOLLOWING PARTS NOT ILLUSTRATED**

285208 Lubricant  
(Use Only In Brake Shoe Assembly On Roller & Pin)

BD-313C

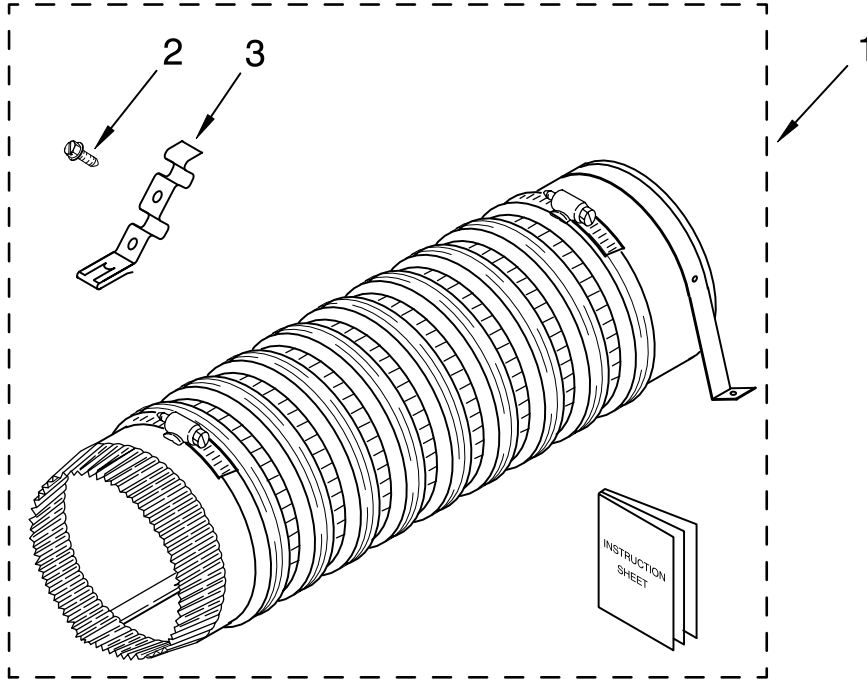
FOR ORDERING INFORMATION REFER TO PARTS PRICE LIST



# PRODUCT ACCESSORY PARTS

For Models: LTG5243DQ6, LTG5243DT6

(Designer White) (Biscuit)



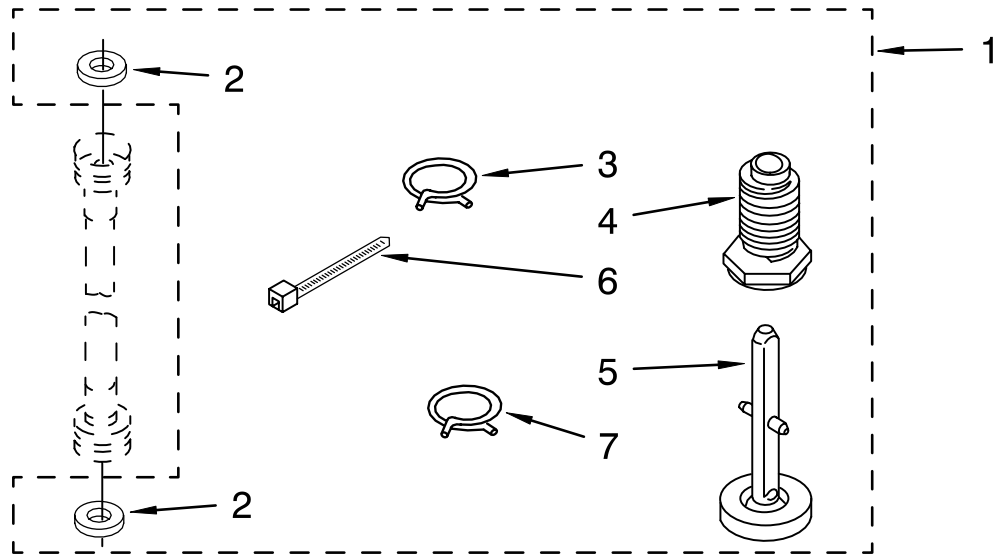
<b>Illus. No.</b>	<b>Part No.</b>	<b>DESCRIPTION</b>
1	279823	Side Exhaust Extension Kit (Complete)
2	488729	Screw
3	3395536	Clip

FOR ORDERING INFORMATION REFER TO PARTS PRICE LIST

# MISCELLANEOUS PARTS

For Models: LTG5243DQ6, LTG5243DT6

(Designer White) (Biscuit)



Illus. No.	Part No.	DESCRIPTION
1	3359934	Miscellaneous Parts Bag
2	16123	Washer, Inlet Hose (4)
3	370445	Clamp, Hose
4	367594	Foot, Front (2)
5	358594	Foot, Rear (2)
6	3347869	Tie, Cable
7	3357331	Clamp, Hose (Upper Drain)

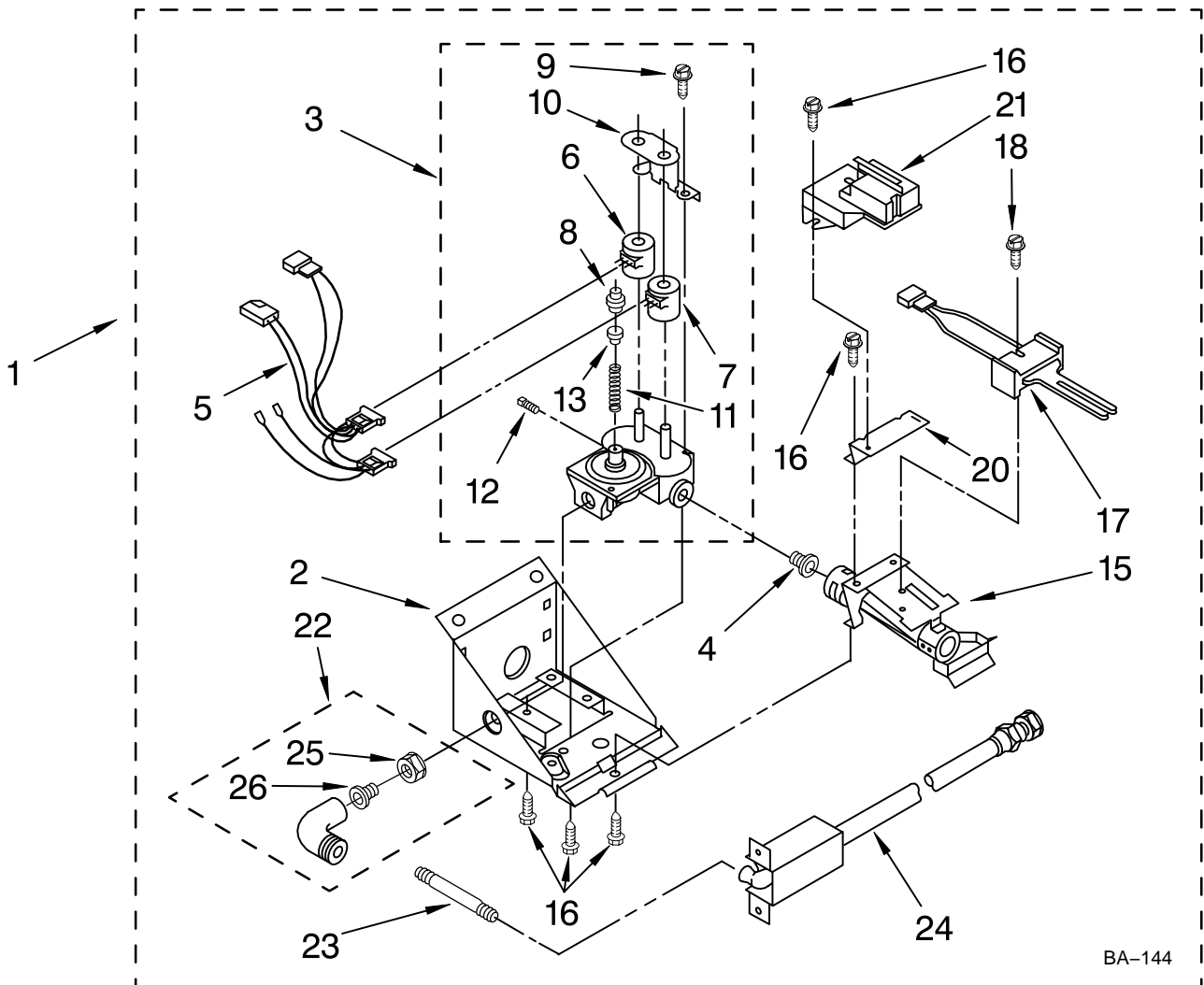
FOR ORDERING INFORMATION REFER TO PARTS PRICE LIST

# 3402856 BURNER ASSEMBLY

For Models: LTG5243DQ6, LTG5243DT6

(Designer White) (Biscuit)

USE WITH TYPE 1 – NATURAL, TYPE 2 – MIXED, TYPE 3 – MANUFACTURED AND TYPE 4 – LIQUEFIED PROPANE AND BUTANE GASES



Illus. No.	Part No.	DESCRIPTION	Illus. No.	Part No.	DESCRIPTION	Illus. No.	Part No.	DESCRIPTION
1	3402856	Burner Assembly 60 Hz.	9	694421	Screw, 8-32	22	3406051	Elbow Union Assembly
2	697408	Base, Burner	10	694538	Bracket, Shunt	23	3388638	Nipple, Short
3	3401777	Valve, 60 Hz.	11	694422	Spring, Regulator	24	3391118	Supply Line (Gas)
4	234822	Orifice Natural Gas	12	239822	Pipe, Plug	25	233076	Nut
5	3401849	Harness L.P. Gas	13	694423	Screw	26	3393767	Pipe
6	694539	Coil, 60 Hz. (Split)	15	3392268	Burner	Following Parts Not Illustrated		
7	694540	Coil, 60 Hz.	16	3387057	Screw, 8-18 X 3/8			
8	694424	Leak Limiter	17	686590	Ignitor	49573		Conversion Kit (Type 1, 2 & 3) to Type (4) L.P.G.
			18	3393909	Screw and Washer 8-32 x 1			
			20	697409	Bracket, Sensor			
			21	338906	Sensor, Radiant			

FOR ORDERING INFORMATION REFER TO PARTS PRICE LIST

# OPTIONAL PARTS (NOT INCLUDED)

For Models: LTG5243DQ6, LTG5243DT6  
(Designer White) (Biscuit)

<b>Illus. No.</b>	<b>Part No.</b>	<b>DESCRIPTION</b>
-------------------	-----------------	--------------------

## PAINT, TOUCH-UP (1/2oz.)

72017 White  
4392899 Biscuit

## PAINT, PRESSURIZED SPRAY (12 oz.)

350938 Primer, Gray  
350930 White  
4392901 Biscuit

## PAINT, BULK (1 qt.)

799344 White (Uncut)  
4392900 Biscuit (Uncut)

## ACCESSORY PARTS

Plug, Dryer  
Side Panel  
692790 White  
3977784 Biscuit

## OIL

350572 Oil, Gearcase  
(16 Oz.)

## LUBRICANT

285208 Lubricant (Use  
Only in Brake  
Shoe Assembly  
On Roller and  
Pin)

## SEALER

285195 Sealer, Gasket  
(.20 Fl. Oz.)  
(6 ml)