

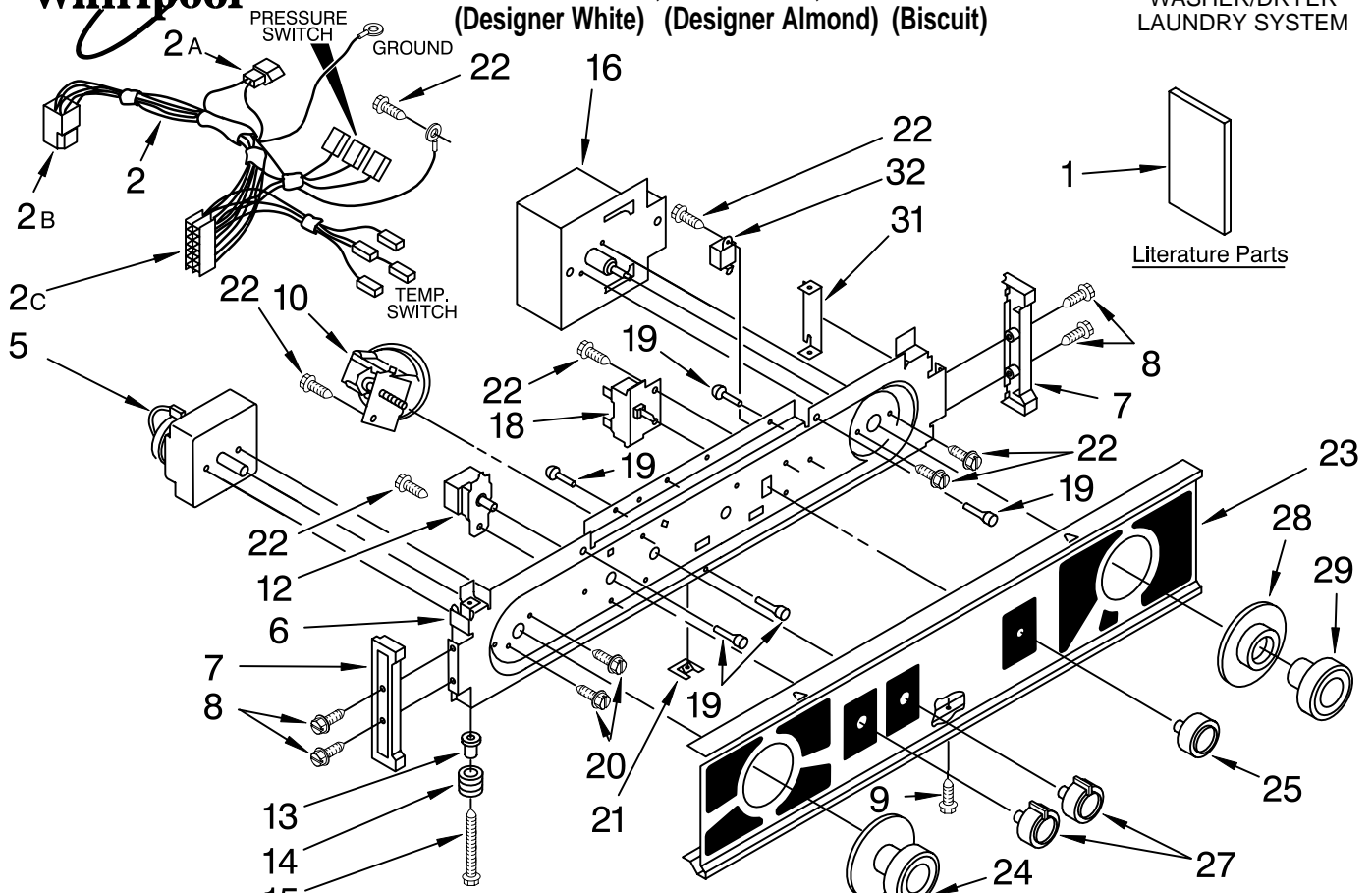


# WASHER/DRYER CONTROL PANEL PARTS

For Models: LTG5243DQ2, LTG5243DZ2, LTG5243DT2

(Designer White) (Designer Almond) (Biscuit)

WASHER/DRYER  
LAUNDRY SYSTEM



Illus. No.	Part No.	DESCRIPTION
1	LIT3405971	Literature Parts Installation Instructions
	LIT3401098	Use & Care Guide
	LIT3952875	Wiring Diagram
	LIT3954147	Energy Guide
2	3406288	Harness, Console Wiring (Automatic) (Includes Illus. 2A, 2B & 2C)
2A	3350130	Plug, Terminal (2-Way) (Connects With Main Dryer Harness)
2B	696073	Receptacle, Connector (Connects With Lower Automatic Harness)
2C	3948614	Disconnect Block (Connects With Automatic Timer)
5	3952499	Timer, Control (60 Hz.) (Automatic Washer)
6	8054285	Bracket, Control

Illus. No.	Part No.	DESCRIPTION
7	692993	End Cap, Console (L.H. & R.H.)
8	348689	Screw, 8-18 x 3/4
9	694091	Screw, 8-18 x 3/8
10	3362987	Switch, Water Level
12	8054142	Switch, Water Temperature
13	693711	Sleeve, Console Lock Screw (2)
14	693151	Spring, Console Lock (2)
15	3400860	Screw, Console Lock (2)
16	3406720	Timer, Control (60 Hz.) (Dryer) (Timer Motor Not Serviceable)
18	3395382	Switch, Push-To-Start
19	693152	Bumper, Console (5)
20	96435	Screw, Timer Mounting (2)
21	694037	Clip, Console
22	3390646	Screw, Dryer Timer Mounting (2) (8-18 x 5/16)

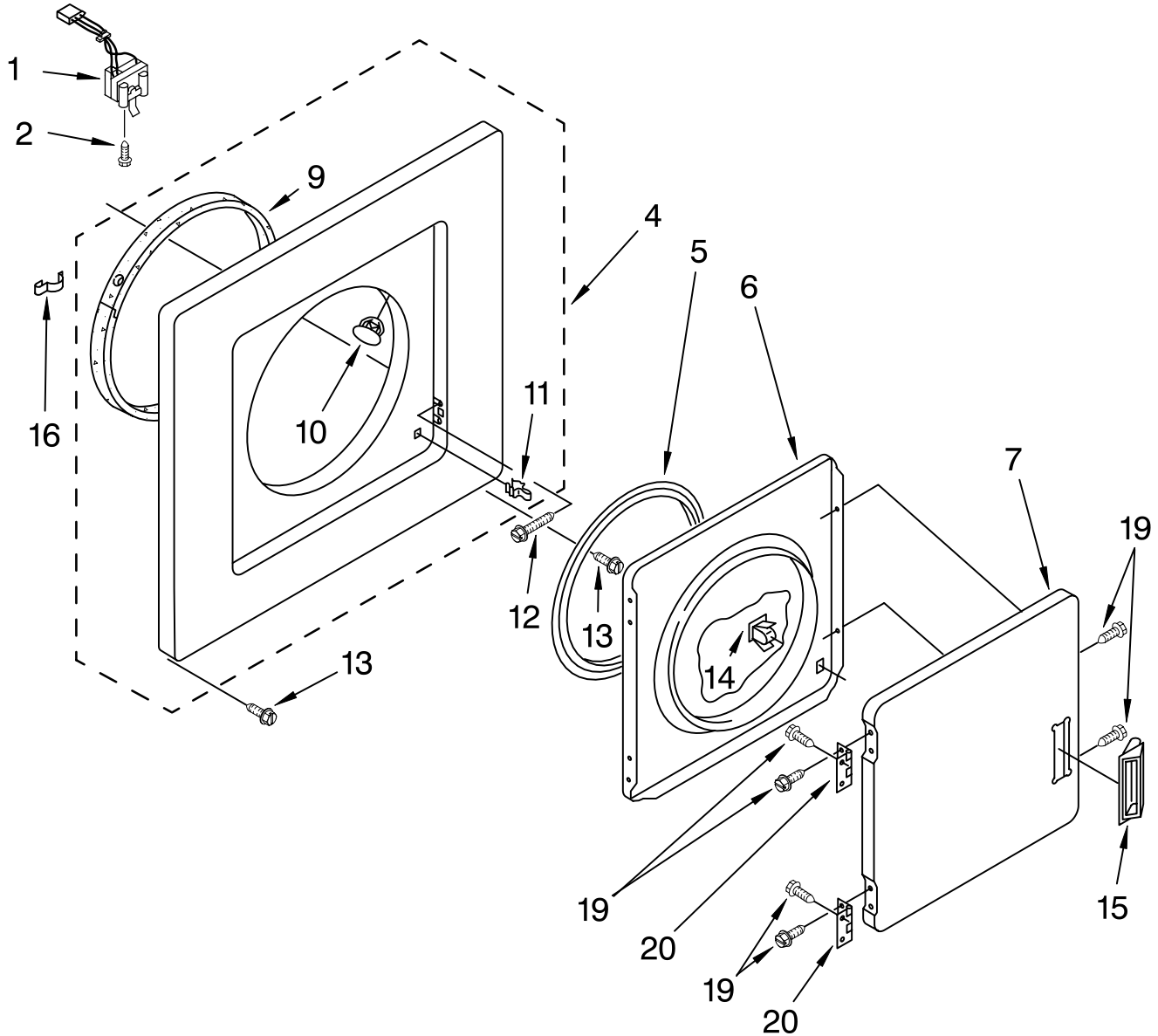
Illus. No.	Part No.	DESCRIPTION
23	3977194	Panel, Control White
	3977193	Almond
	3977195	Biscuit
24		Knob, Timer (Dryer)
	3406143	White
	3406144	Almond
	3978872	Biscuit
25		Knob, Push-To-Start
	3406133	White
	3406134	Almond
	3978871	Biscuit
27		Knob, Control (2)
	3950759	White
	3950760	Almond
	3978873	Biscuit
28		Dial, Timer (Washer)
	3950762	White
	3950763	Almond
	3978870	Biscuit
29		Knob, Timer (Washer)
	3951026	White
	3951027	Almond
	3978869	Biscuit
31	692983	Lock, Console (2)
32	694419	Buzzer

FOR ORDERING INFORMATION REFER TO PARTS PRICE LIST

# DRYER FRONT PANEL AND DOOR PARTS

For Models: LTG5243DQ2, LTG5243DZ2, LTG5243DT2

(Designer White) (Designer Almond) (Biscuit)



Illus. No.	Part No.	DESCRIPTION
1	3406108	Door Switch
2	697773	Screw, 6-20 x 7/8
4	692619	White Panel, Front
	692620	Almond
	3978587	Biscuit
5	3390734	Seal, Door
6	695656	Door, Rear

Illus. No.	Part No.	DESCRIPTION
7	348205	Door, Front
	689314	White
	3978598	Almond
	3978598	Biscuit
9	349462	Bearing & Seal
10	685203	Clip, Felt Pad (2)
11	696144	Strike, Panel
12	3390663	Screw, 10-16 x 1/2

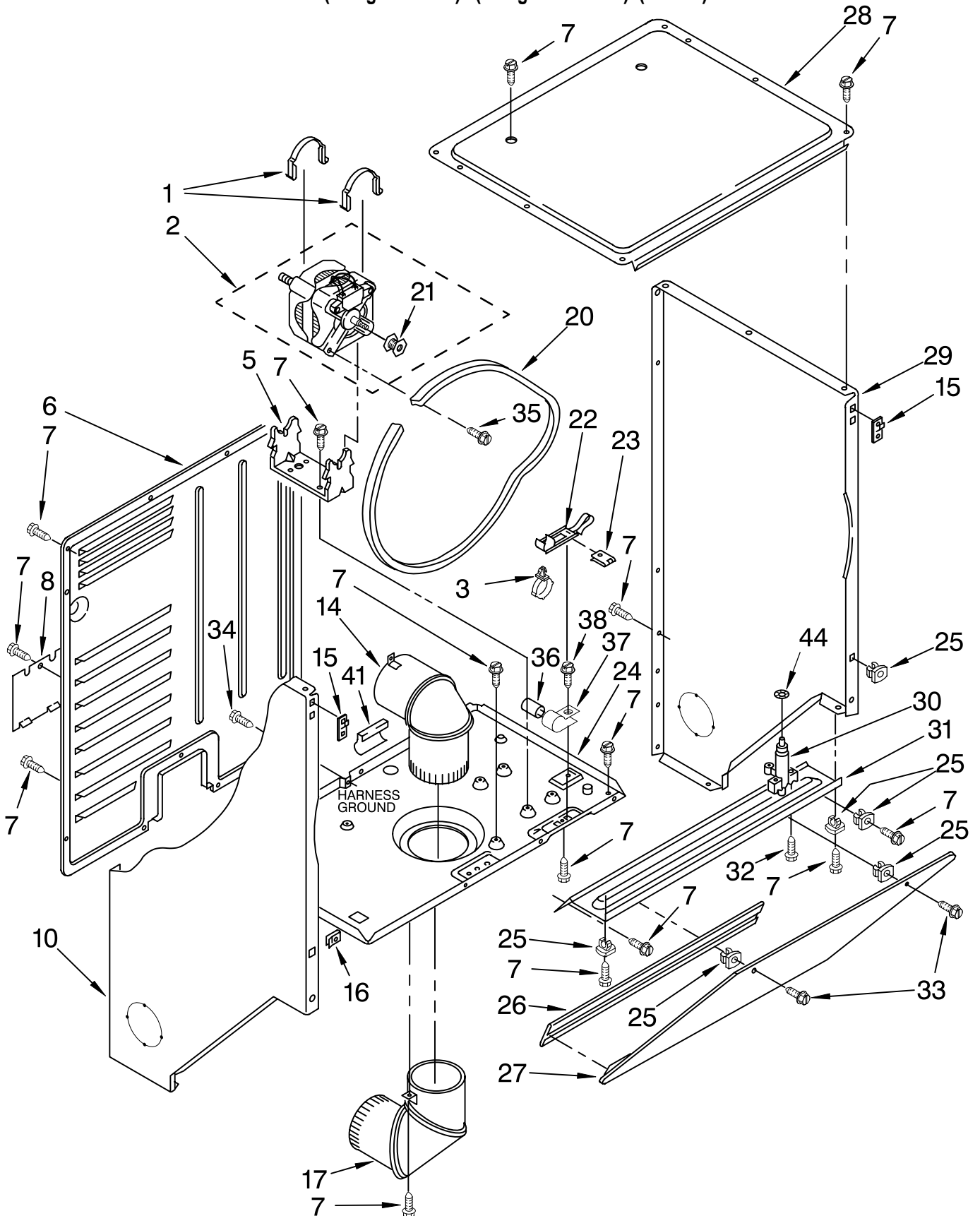
Illus. No.	Part No.	DESCRIPTION
13	343641	Screw, 10-16 x 1/2
14	3389441	Catch, Door
15		Handle, Door
	686711	White
	689308	Almond
	3978592	Biscuit
16	692846	Support Protector
19	694091	Screw, 8-18 x 3/8
20	348023	Hinge & Pin, Door (2)

FOR ORDERING INFORMATION REFER TO PARTS PRICE LIST

# DRYER CABINET AND MOTOR PARTS

For Models: LTG5243DQ2, LTG5243DZ2, LTG5243DT2

(Designer White) (Designer Almond) (Biscuit)



FOR ORDERING INFORMATION REFER TO PARTS PRICE LIST

# DRYER CABINET AND MOTOR PARTS

For Models: LTG5243DQ2, LTG5243DZ2, LTG5243DT2

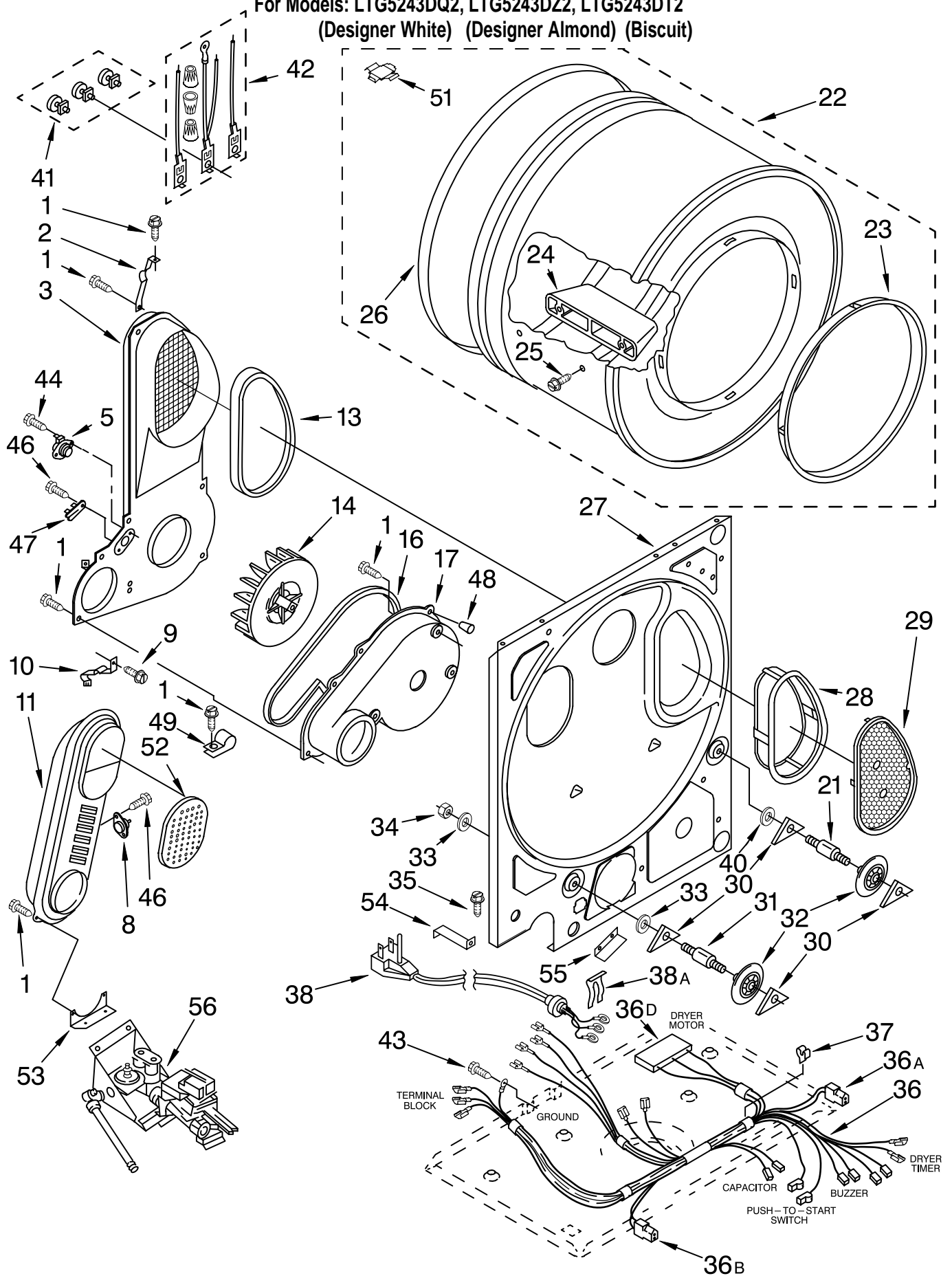
(Designer White) (Designer Almond) (Biscuit)

Illus. No.	Part No.	DESCRIPTION	Illus. No.	Part No.	DESCRIPTION	Illus. No.	Part No.	DESCRIPTION
1	660658	Clamp, Motor Mounting (2)	21	8066051	Pulley, Motor (60 Hz.)	31		Closure, Control Area
2	8066068	Motor, Main Drive (60 Hz.)	22	3394332	Idler & Slide Assembly		692781	White
3	3405028	Clip	23	692771	Nut, Idler Bracket To Base		692782	Almond
5	696541	Bracket, Motor	24	3399633	Base, Dryer	32	354975	Screw & Washer (3) (Lid Latch Mounting)
6	3390405	Panel, Rear	25	692400	Nut, Push-In		3978599	Biscuit
7	343641	Screw, 10-16 x 1/2	26	692926	Cove, Transition Panel (Black)	33	693304	Screw & Washer (2) (Transition Panel To Closure)
8	3394228	Cover, Terminal Block	27		Panel, Transition	34	697776	Screw, Ground (10-32 x 5/8)
10		Panel, Side (L.H.)		692933	White	35	3390631	Screw, 10-16 x 3/8
	3402293	White		692934	Almond	36	661606	Capacitor, Motor Start (Automatic Washer)
	3402294	Almond	28	692641	Top, Dryer	37	357030	Clamp, Capacitor
	3978589	Biscuit	29		Panel, Side (R.H.)	38	343641	Screw, Capacitor Mounting
14	3399602	Elbow, Upper		3402287	White	41	686770	Edge, Protector
15	3394083	Clip, Front Panel (2)		3402288	Almond	44	90296	Clip
16	98234	Clip, Ground		3978590	Biscuit			
17	3399603	Elbow, Lower	30	693145	Latch, Lid			
20	8066064	Belt, Drive						

FOR ORDERING INFORMATION REFER TO PARTS PRICE LIST

# DRYER BULKHEAD PARTS

For Models: LTG5243DQ2, LTG5243DZ2, LTG5243DT2  
(Designer White) (Designer Almond) (Biscuit)



# DRYER BULKHEAD PARTS

For Models: LTG5243DQ2, LTG5243DZ2, LTG5243DT2

(Designer White) (Designer Almond) (Biscuit)

Illus. No.	Part No.	DESCRIPTION	Illus. No.	Part No.	DESCRIPTION	Illus. No.	Part No.	DESCRIPTION
1	343641	Screw, 10-16 x 1/2	27	697540	Bulkhead	37	693141	Clip, Wiring Harness (3)
2	3395396	Clip, Air Duct To Bulkhead	28	348399	Lint Screen	38	694018	Cord, Power
3	696529	Air Duct & Cover	29	685273	Cover, Lint Screen Outlet	38a	694415	Strain Relief, Power Cord
5	3398128	Thermostat, Internal Bias	30	690997	Tri-Ring (4)	40	3388703	Washer, Support
8	3403140	Thermostat, Heater Box 205°F (96C)	31	3399506	Shaft, Drum Roller (L.H.)	41	279393	Screw Kit (For Terminal Block)
9	489463	Screw, 8-18 x 5/8	32	3397588	Roller, Support (2)	42	279318	Terminal, Tinned & Brass (3) (Includes Illus. 41)
10	3398161	Clip, Heater Box To Bulkhead	33	348197	Washer, Support (4)	43	697776	Screw, 10-32 x 1/2
11	697269	Heater Box	34	3359452	Nut, 3/8-16 (2)	44	3390647	Screw, 8-18 x 1/2
13	339956	Seal, Air Duct To Bulkhead	35	3390631	Screw, 10-16 x 3/8	46	90767	Screw, 8-18 X 3/8
14	696426	Wheel, Blower	36	3396657	Harness, Main Dryer Wiring (Includes Illus. 36A, 36B, 36C, 36D & 36E)	47	3392519	Fuse, Thermal
16	8066094	Seal, Fan Scroll	36A	717252	Receptacle, Terminal (2-Way) (Connects With Door Switch Harness)	48	359702	Cap, Screw
17	696418	Fan Scroll				49	255563	Clip, Strain Relief
21	3399507	Shaft, Drum Roller (R.H.)	36B	697780	Receptacle, (Gas Valve)	51	8066086	Drum, Hole Plug
22	695943	Drum, Dryer	36D	3395683	Receptacle, Multi-Terminal (Connects With Dryer Motor)	52	345335	Cover, Manifold
23	3394508	Ring, Bearing				53	347455	Support, Heater Box
24	685207	Baffle, Drum (3)				54	3387208	Support, Corner Gas
25	97787	Screw, 11-16 x 7/8				55	697571	Guard, Sock
26	345648	Seal, Drum Rear				56	3402856	Burner (Refer to page 19 For Complete Breakdown)

FOR ORDERING INFORMATION REFER TO PARTS PRICE LIST

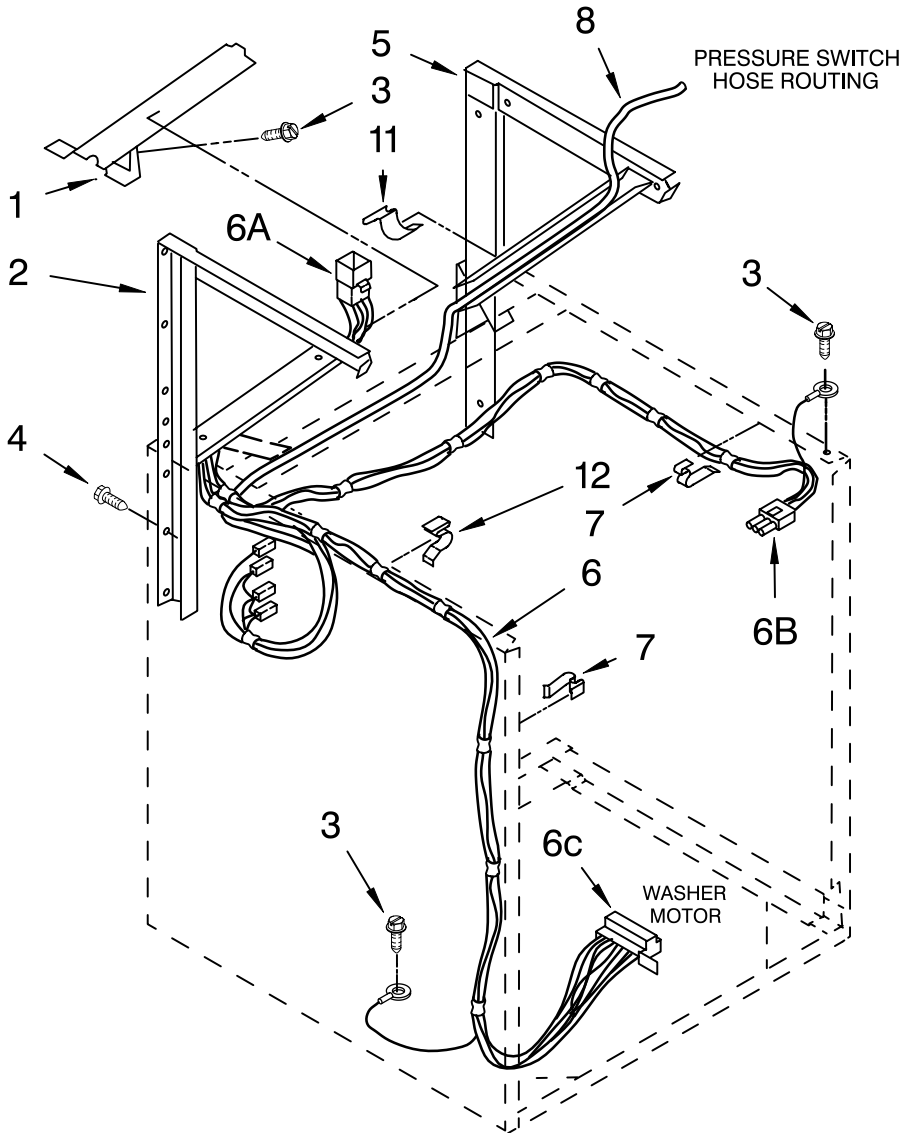
# DRYER SUPPORT AND WASHER PARTS

For Models: LTG5243DQ2, LTG5243DZ2, LTG5243DT2

(Designer White) (Designer Almond) (Biscuit)

Illus. No.	Part No.	DESCRIPTION
------------	----------	-------------

1	694304	Cover, Channel
2	692647	Support, Dryer (L.H.)
3	343641	Screw, 10-16 x 1/2
4	3400000	Screw, 10-24 x 3/8 (8) (Washer Cabinet To Dryer Supports)
5	692646	Support, Dryer (R.H.)
6	3954108	Harness, Lower (Automatic) (Includes Illus. 6A, 6B & 6C)
6A	696074	Plug, Terminal (12-Way) (Connects With Automatic Console Harness)
6B	62889	Plug, Terminal (3-Way) (Connects With Automatic Lid Switch Harness)
6C	62505	Block, Disconnect (Connects With Automatic Washer Motor)
7	3347812	Clip, Wiring Harness (4)
8	8066080	Hose, Pressure Switch
11	90016	Clip, Pressure Switch Hose (2)
12	693141	Clip, Harness

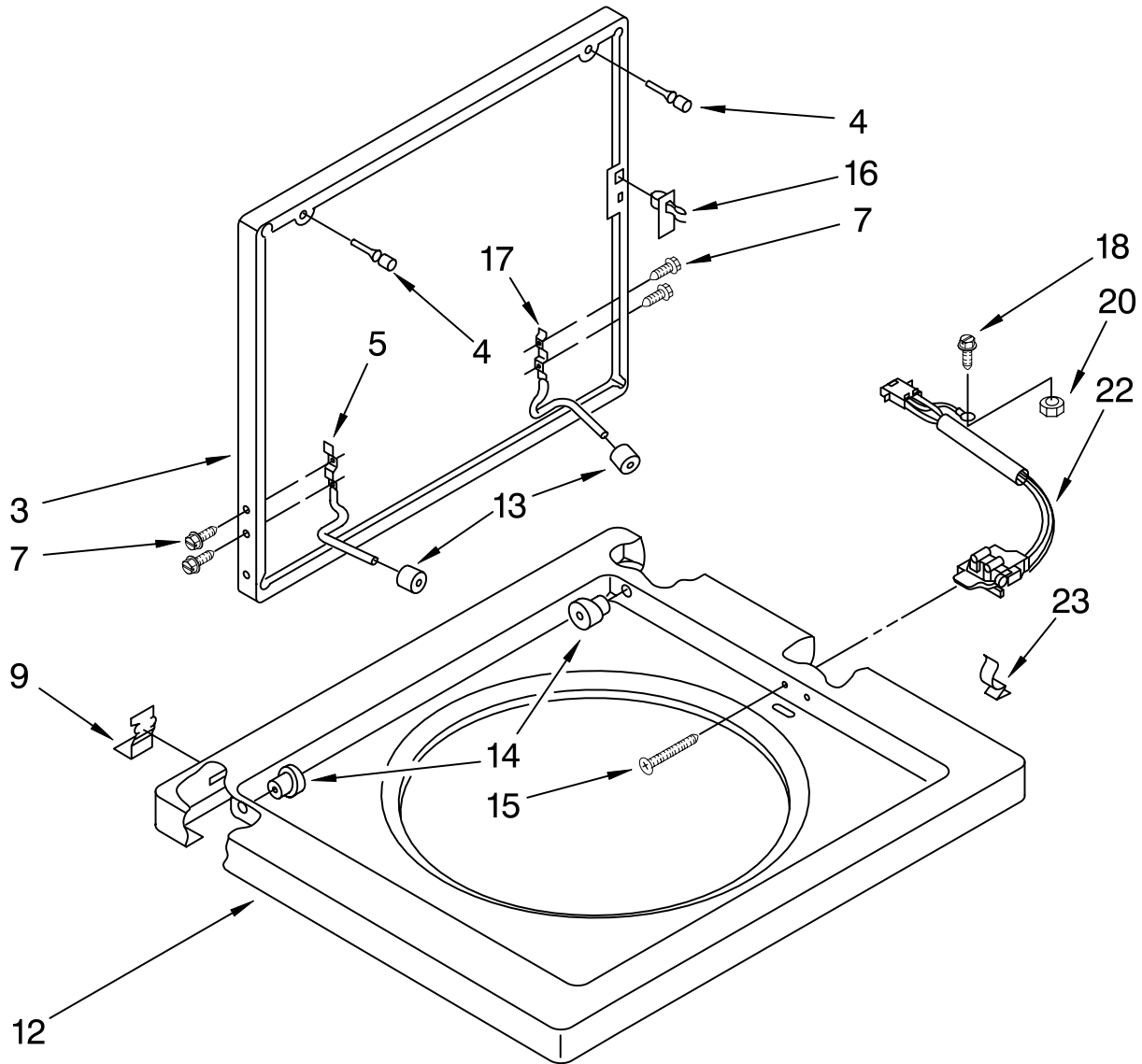


FOR ORDERING INFORMATION REFER TO PARTS PRICE LIST

# WASHER TOP AND LID PARTS

For Models: LTG5243DQ2, LTG5243DZ2, LTG5243DT2

(Designer White) (Designer Almond) (Biscuit)



Illus. No.	Part No.	DESCRIPTION	Illus. No.	Part No.	DESCRIPTION	Illus. No.	Part No.	DESCRIPTION
3		Lid	12		Top	16		Strike, Lid Switch
	3398843	White		384693	White	17		Hinge, Lid (R.H.)
	3398844	Almond		384694	Almond	18		Screw, 10-24 x 1/2
	3398847	Biscuit		3978593	Biscuit	20		Nut, Ground Screw
4	384475	Bumper, Lid (2)	13	19119	Bumper, Lid Hinge (2)	22		3355806 Switch, Lid
5	384458	Hinge, Lid (L.H.)	14	21258	Bearing, Lid Hinge (2)	23		90016 Clip, Harness Routing
7	3351355	Screw, Lid Hinge Mounting (4)	15	3356311	Screw & Washer, Lid Switch Shield (2)			
9	692985	Clip, Spring (2) (Top To Cabinet)						

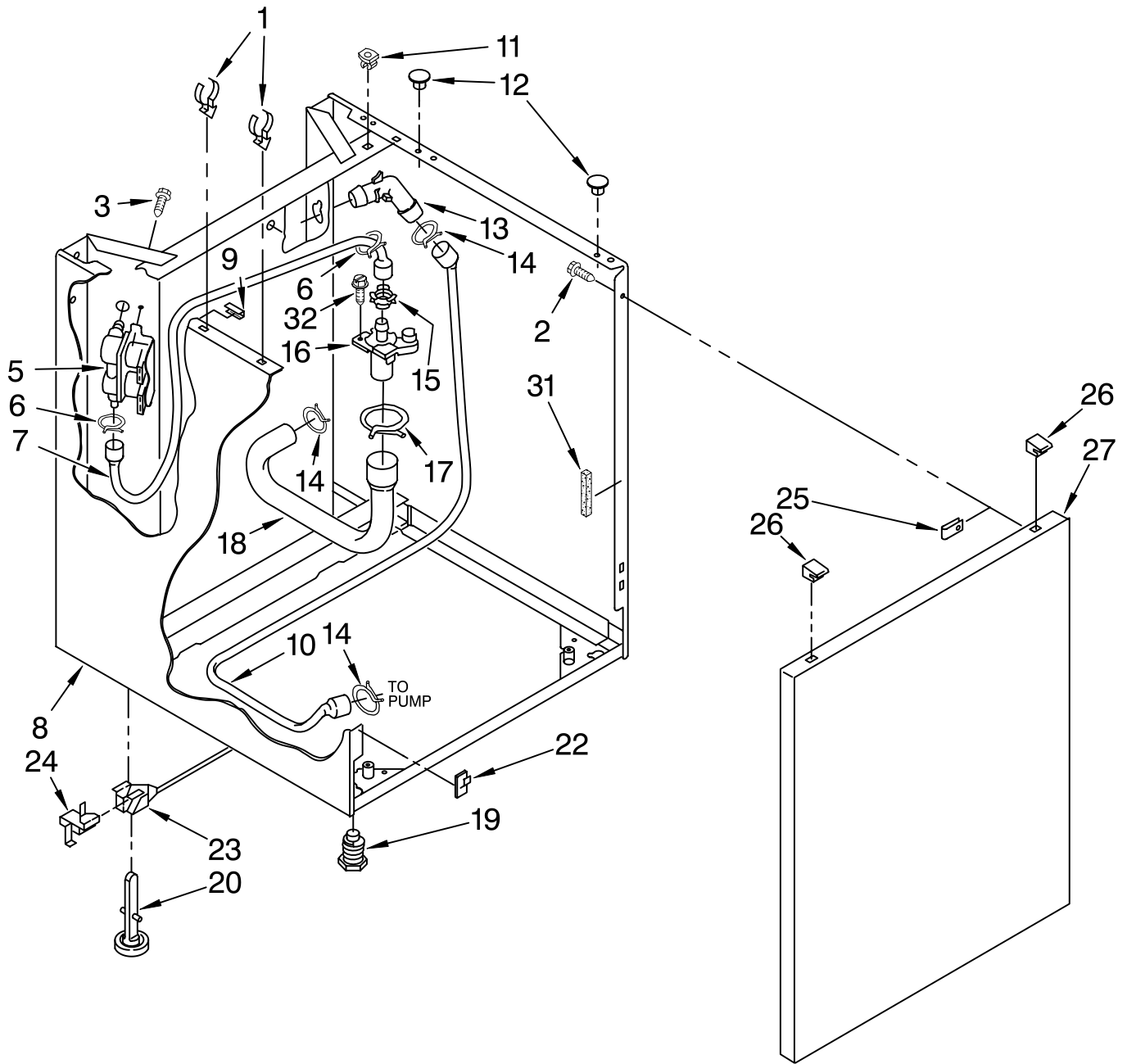
FOR ORDERING INFORMATION REFER TO PARTS PRICE LIST



# WASHER CABINET PARTS

For Models: LTG5243DQ2, LTG5243DZ2, LTG5243DT2

(Designer White) (Designer Almond) (Biscuit)



FOR ORDERING INFORMATION REFER TO PARTS PRICE LIST

# WASHER CABINET PARTS

For Models: LTG5243DQ2, LTG5243DZ2, LTG5243DT2  
(Designer White) (Designer Almond) (Biscuit)

Illus. No.	Part No.	DESCRIPTION
1	356746	Clip, Condenser
2	343641	Screw, 10-16 x 1/2
3	62863	Screw, Mixing Valve Mounting
5	3360389	Valve, Water Mixing
6	370451	Clamp, Hose
7	692699	Hose, Water Inlet (Siphon Break To Mixing Valve)
8		Cabinet
	696013	White
	696014	Almond
	3978594	Biscuit
9	3390046	Protector, Edge
10	696710	Hose, Drain
11	692400	Nut, Push-In (2)
12	660975	Plug, Top To Cabinet
13	356739	Connector, Hose
14	370445	Clamp, Hose
15	356471	Cap, Siphon Break
16	356363	Siphon Break
17	272861	Clamp, Hose
18	696394	Hose, Water Inlet (Siphon Break To Tub Ring)
19	367594	Foot, Front (2)
20	358594	Foot, Rear (2)
22	3394083	Clip, Front Panel
23	358652	Link, Leveling
24	359364	Clip, Leveling Mechanism (2)
25	98234	Clip, Ground
26	345670	Lock, Top (2)
27		Panel, Front
	692628	White
	692629	Almond
	3978596	Biscuit
31	3350013	Foam (2)
32	64247	Screw, 10-16 x 1/2

FOR ORDERING INFORMATION REFER TO PARTS PRICE LIST

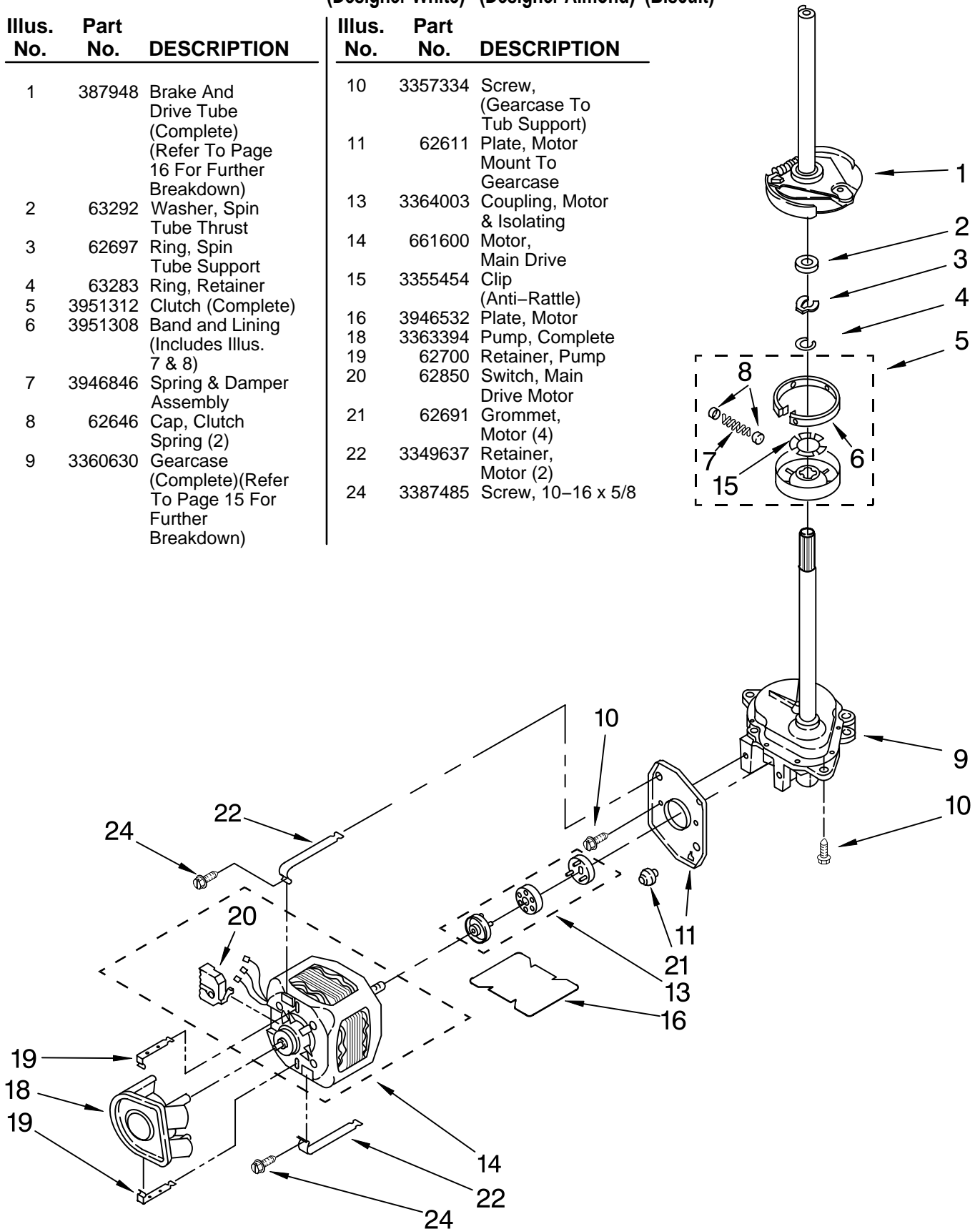
# BRAKE, CLUTCH, GEARCASE, MOTOR AND PUMP PARTS

For Models: LTG5243DQ2, LTG5243DZ2, LTG5243DT2

(Designer White) (Designer Almond) (Biscuit)

Illus. No.	Part No.	DESCRIPTION
1	387948	Brake And Drive Tube (Complete) (Refer To Page 16 For Further Breakdown)
2	63292	Washer, Spin Tube Thrust
3	62697	Ring, Spin Tube Support
4	63283	Ring, Retainer
5	3951312	Clutch (Complete)
6	3951308	Band and Lining (Includes Illus. 7 & 8)
7	3946846	Spring & Damper Assembly
8	62646	Cap, Clutch Spring (2)
9	3360630	Gearcase (Complete)(Refer To Page 15 For Further Breakdown)

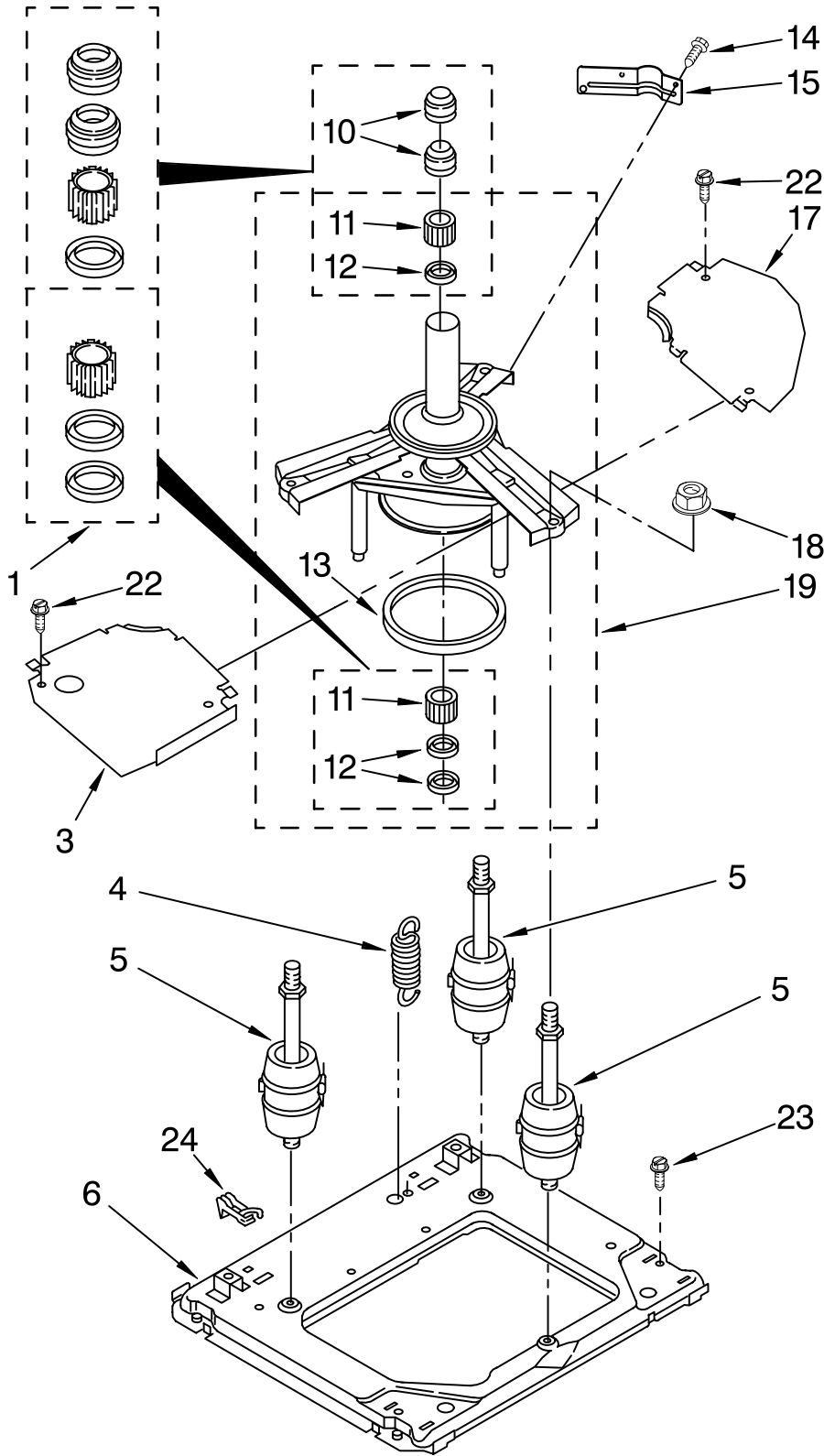
Illus. No.	Part No.	DESCRIPTION
10	3357334	Screw, (Gearcase To Tub Support)
11	62611	Plate, Motor Mount To Gearcase
13	3364003	Coupling, Motor & Isolating
14	661600	Motor, Main Drive
15	3355454	Clip (Anti-Rattle)
16	3946532	Plate, Motor
18	3363394	Pump, Complete
19	62700	Retainer, Pump
20	62850	Switch, Main Drive Motor
21	62691	Grommet, Motor (4)
22	3349637	Retainer, Motor (2)
24	3387485	Screw, 10-16 x 5/8



FOR ORDERING INFORMATION REFER TO PARTS PRICE LIST

# MACHINE BASE PARTS

For Models: LTG5243DQ2, LTG5243DZ2, LTG5243DT2  
(Designer White) (Designer Almond) (Biscuit)



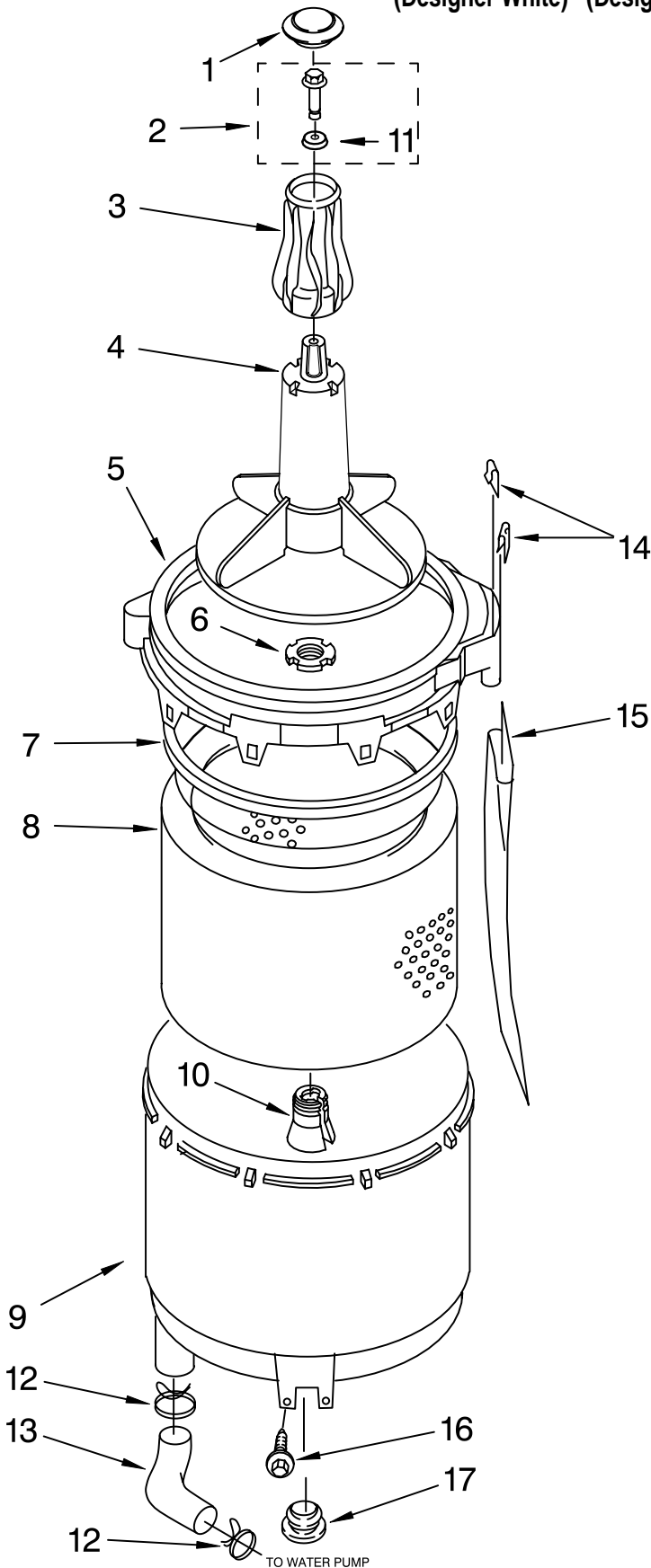
Illus. No.	Part No.	DESCRIPTION
1	285203	Centerpost Bearing Kit (Incls. Illus. 10, 11, & 12)
3	64137	Shield, Tub
4	388492	Spring, Counterweight
5	3406201	Suspension Assembly (3)
6	63755	Base
10	356934	Seal, Centerpost
11	3347047	Bearing, Centerpost (2)
12	357409	Seal, Centerpost
13	63134	Ring, Sound Deadening
14	343641	Screw, 10-16 x 1/2
15	63636	Bracket, Counterweight Spring
17	63637	Shield, Tub
18	3351021	Nut, 1/2 - 13 (1)
19	63740	Tub Support and Drum
22	90767	Screw, 8-18 x 3/8
23	386011	Screw & Washer (Base To Cabinet)
24	696044	Block, Restraint

FOR ORDERING INFORMATION REFER TO PARTS PRICE LIST

# TUB AND BASKET PARTS

For Models: LTG5243DQ2, LTG5243DZ2, LTG5243DT2

(Designer White) (Designer Almond) (Biscuit)



Illus. No.	Part No.	DESCRIPTION
------------	----------	-------------

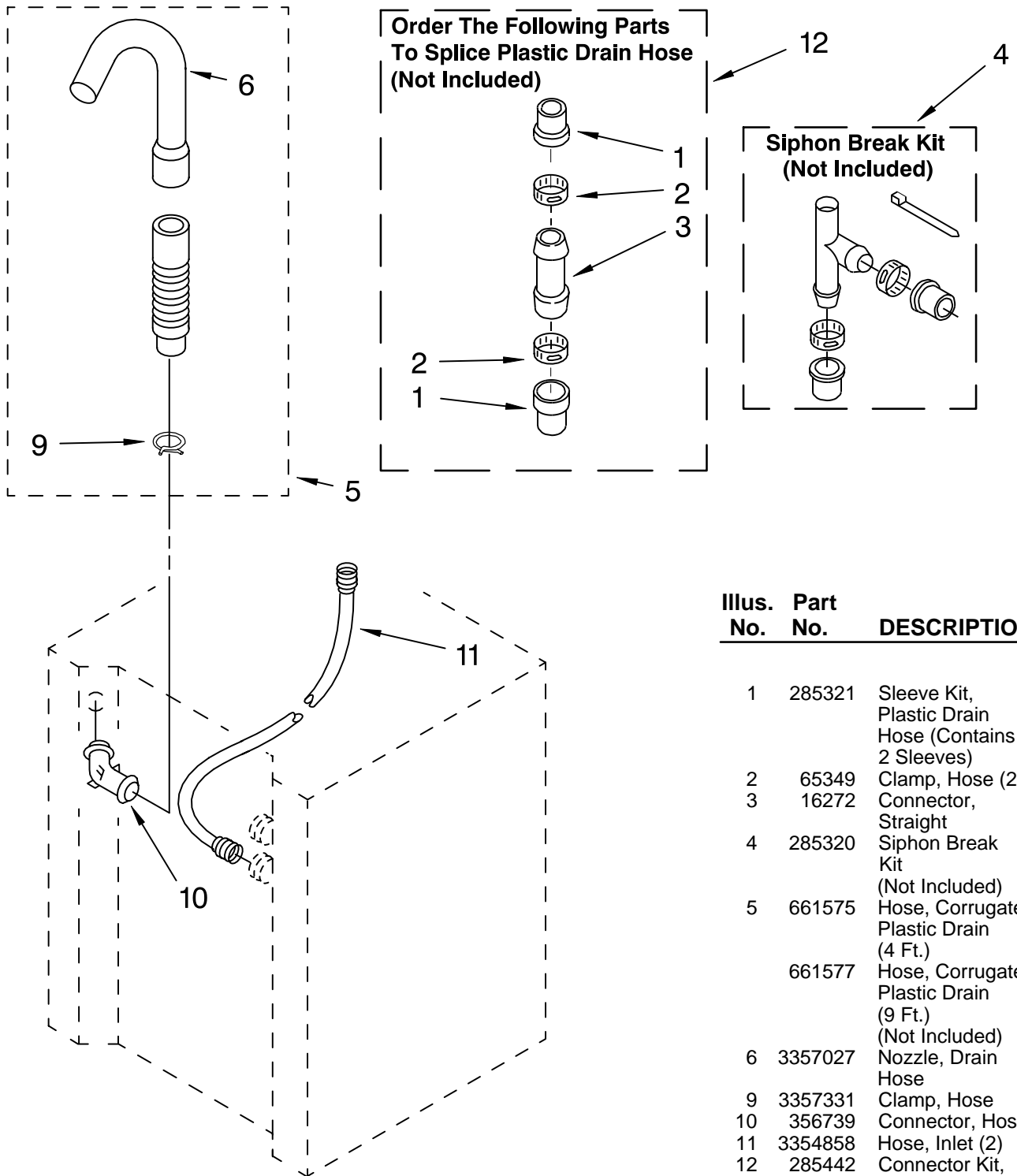
1	3355758	Cap, Agitator
2	358237	Screw & Washer (5/16-24 x 1)
3	63840	Filter, Agitator
4	3349098	Agitator
5	64175	Tub Ring & Gasket (Includes Illus. 7, 14 & 15)
6	21366	Nut, Spanner
7	3359587	Gasket, Tub Ring
8	3351985	Basket
9	8066081	Tub
10	389140	Block, Basket Drive
11	3949550	Washer
12	371502	Clamp, Hose
13	386929	Hose, Tub To Pump
14	352155	Clip, Retaining
15	356398	Tube, Drain Off
16	357640	Screw & Washer (Tub Mounting)
17	383727	Gasket, Centerpost

FOR ORDERING INFORMATION REFER TO PARTS PRICE LIST

# WASHER WATER SYSTEM PARTS

For Models: LTG5243DQ2, LTG5243DZ2, LTG5243DT2

(Designer White) (Designer Almond) (Biscuit)



**Order The Following Parts  
To Splice Plastic Drain Hose  
(Not Included)**

**Siphon Break Kit  
(Not Included)**

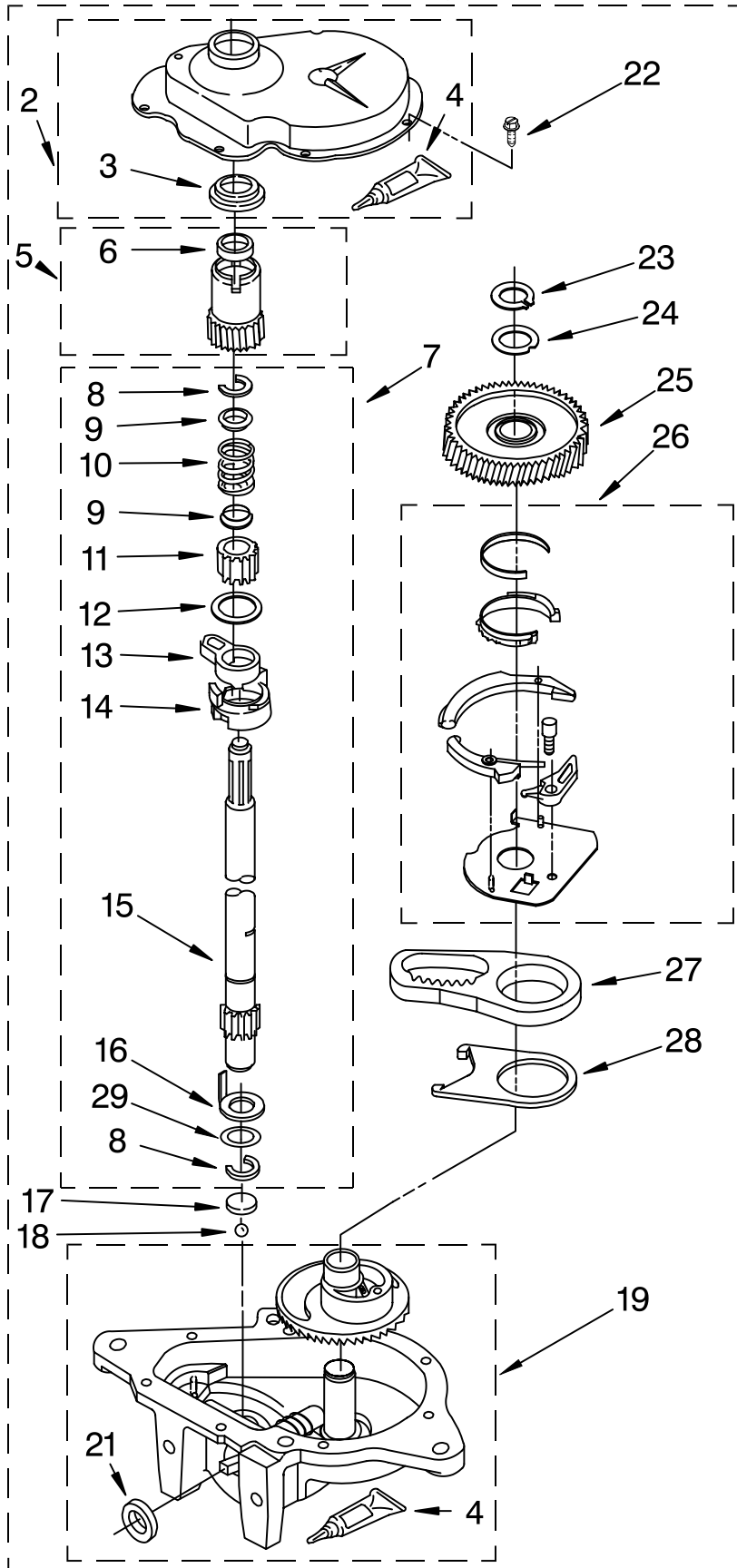
Illus. No.	Part No.	DESCRIPTION
1	285321	Sleeve Kit, Plastic Drain Hose (Contains 2 Sleeves)
2	65349	Clamp, Hose (2)
3	16272	Connector, Straight
4	285320	Siphon Break Kit (Not Included)
5	661575	Hose, Corrugated Plastic Drain (4 Ft.)
	661577	Hose, Corrugated Plastic Drain (9 Ft.) (Not Included)
6	3357027	Nozzle, Drain Hose
9	3357331	Clamp, Hose
10	356739	Connector, Hose
11	3354858	Hose, Inlet (2)
12	285442	Connector Kit, Plastic Drain Hose

WS900B

FOR ORDERING INFORMATION REFER TO PARTS PRICE LIST

# GEARCASE PARTS

For Models: LTG5243DQ2, LTG5243DZ2, LTG5243DT2  
(Designer White) (Designer Almond) (Biscuit)



Illus. No.	Part No.	DESCRIPTION
1	3360630	Gearcase (Complete)
2	285202	Cover, Gearcase
3	3349985	Seal, Gearcase Cover
4	285195	Sealer, Gasket (.20 Fl. Oz.) (6 ml)
5	63320	Pinion, Spin (Includes Illus. 25)
6	356427	Seal, Spin Pinion
7	389387	Shaft, Agitator (Complete)
8	90369	Ring, Retaining (2)
9	62677	Retainer, Spring
10	62676	Spring, Agitate
11	63273	Gear, Agitate (Includes 15 and 29)
12	62619	Washer, Agitate Gear
13	62580	Cam Follower (Includes 14)
14	62581	Cam, Agitate (Includes 13)
15	285509	Shaft, Agitator (Includes 11 and 29)
16	62618	Washer, Cam Thrust
17	16018	Bearing, Thrust
18	85529	Ball, Bearing
19	389230	Bottom and Pinion, Gearcase
21	285352	Seal, Thrust Plug
22	3351614	Screw, Gearcase Cover, Mounting (8) (10-24 x 3/8)
23	3362552	Ring, Retaining
24	285735	Washer Kit, Thrust
25	62570	Gear, Spin
26	388253	Neutral Assembly
27	3349296	Rack, Connecting
28	62621	Actuator, Shift
29	388815	Washer, Intermediate

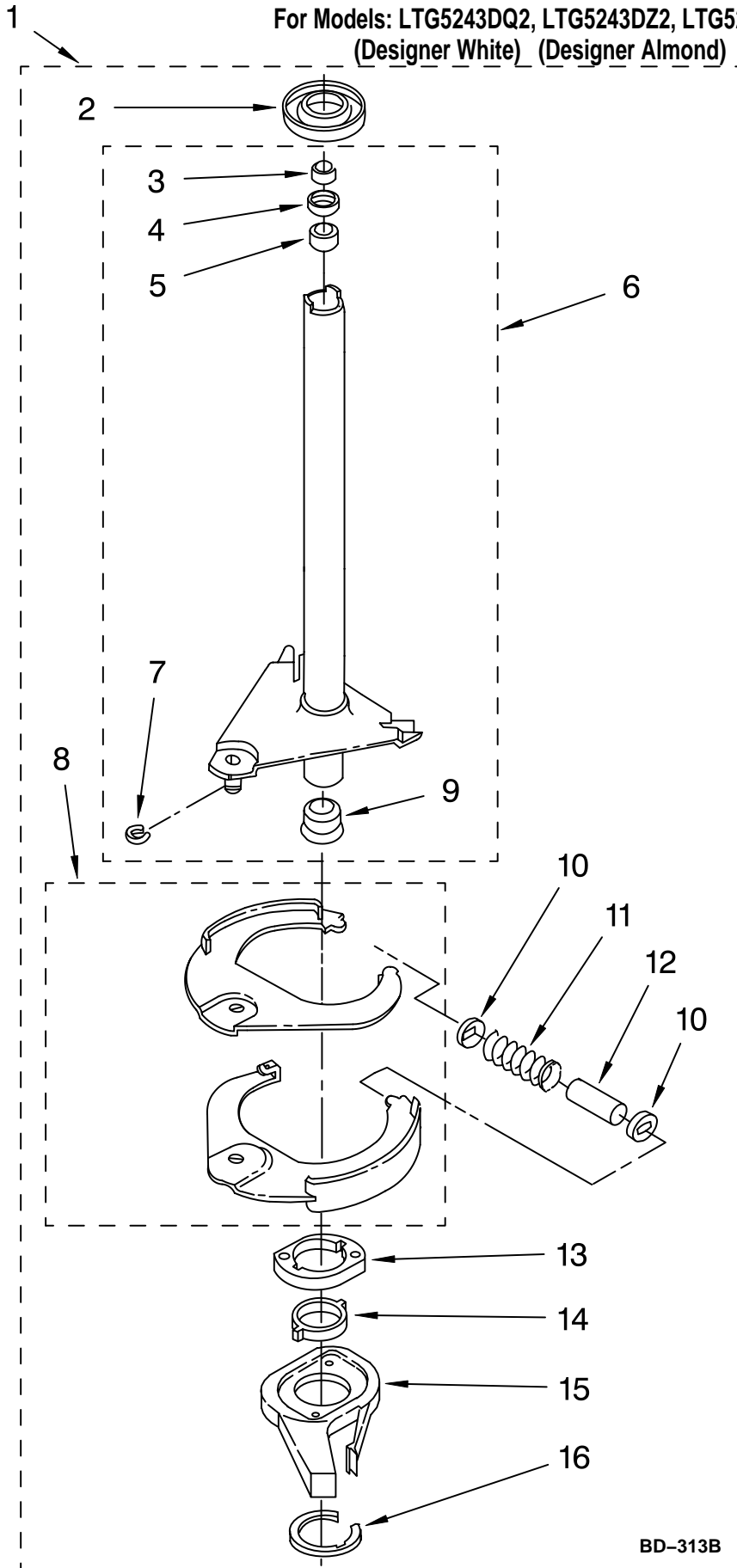
GC-215C

FOR ORDERING INFORMATION REFER TO PARTS PRICE LIST

# BRAKE AND DRIVE TUBE PARTS

For Models: LTG5243DQ2, LTG5243DZ2, LTG5243DT2

(Designer White) (Designer Almond) (Biscuit)



Illus. No.	Part No.	DESCRIPTION
1	387948	Brake And Drive Tube (Complete)
2	62658	Ring, Thrust
3	91939	Seal, Oil
4	356427	Seal, Drive Tube
5	356937	Spacer, Drive Tube
6	64027	Tube, Basket Drive (Includes Illus. 3, 4, 5 & 9)
7	64035	Ring, Retaining
8	64232	Brake Shoe
9	62703	"T" Bearing, Spin Tube
10	62648	Cap, Brake Spring (2)
11	63748	Spring, Brake
12	62909	Sleeve, Brake Spring
13	661516	Cam, Brake Release 63023 (Alt.) 3348288 (Alt.)
14	63022	Sleeve, Cam
15	64194	Driver, Brake Cam
16	90368	Ring, Retaining

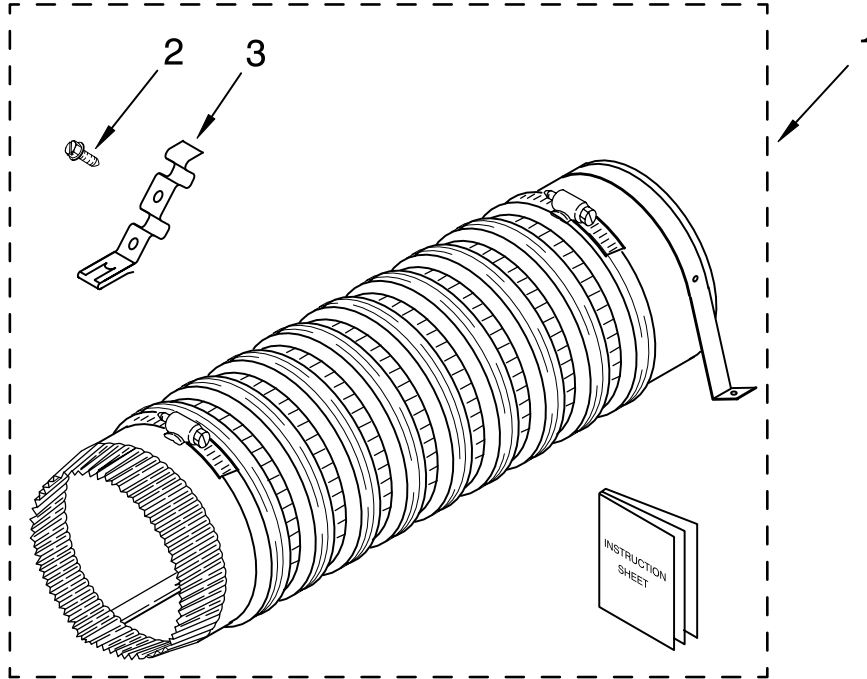
BD-313B

FOR ORDERING INFORMATION REFER TO PARTS PRICE LIST



# SALES ACCESSORY PARTS

For Models: LTG5243DQ2, LTG5243DZ2, LTG5243DT2  
(Designer White) (Designer Almond) (Biscuit)

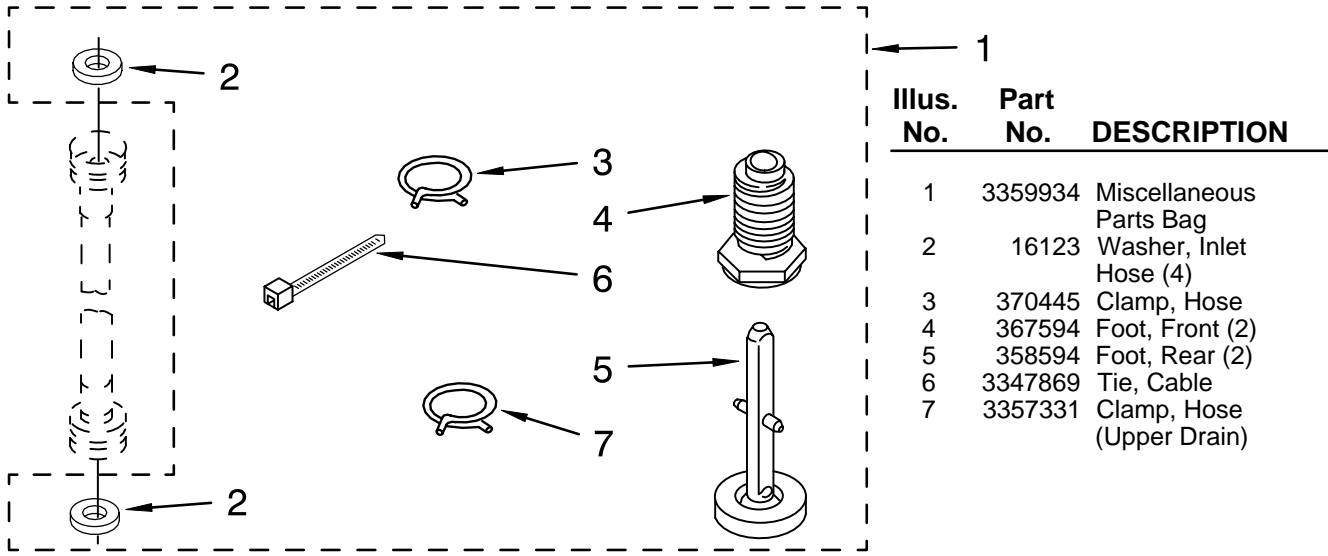


<b>Illus. No.</b>	<b>Part No.</b>	<b>DESCRIPTION</b>
1	279823	Side Exhaust Extension Kit (Complete)
2	488729	Screw
3	3395536	Clip

FOR ORDERING INFORMATION REFER TO PARTS PRICE LIST

# MISCELLANEOUS PARTS

For Models: LTG5243DQ2, LTG5243DZ2, LTG5243DT2  
(Designer White) (Designer Almond) (Biscuit)



Illus. No.	Part No.	DESCRIPTION
1	3359934	Miscellaneous Parts Bag
2	16123	Washer, Inlet Hose (4)
3	370445	Clamp, Hose
4	367594	Foot, Front (2)
5	358594	Foot, Rear (2)
6	3347869	Tie, Cable
7	3357331	Clamp, Hose (Upper Drain)

## OPTIONAL PARTS (NOT INCLUDED)

Illus. No.	Part No.	DESCRIPTION
------------	----------	-------------

### PAINT, TOUCH-UP (1/2oz.)

- 72017 White
- 72107 Almond
- 4392899 Biscuit

### PAINT, PRESSURIZED SPRAY (12 oz.)

- 350938 Primer, Gray
- 350930 White
- 350956 Almond
- 4392901 Biscuit

Illus. No.	Part No.	DESCRIPTION
------------	----------	-------------

### PAINT, BULK (1 qt.)

- 799344 White (Uncut)
- 978883 Almond (Uncut)
- 4392900 Biscuit (Uncut)

### ACCESSORY PARTS

- Plug, Dryer Side Panel
- 692790 White
- 692791 Almond
- 3977784 Biscuit

### OIL

- 350572 Oil, Gearcase (16 Oz.)

Illus. No.	Part No.	DESCRIPTION
------------	----------	-------------

### LUBRICANT

- 285208 Lubricant (Use Only in Brake Shoe Assembly On Roller and Pin)

### SEALER

- 285195 Sealer, Gasket (.20 Fl. Oz.) (6 ml)

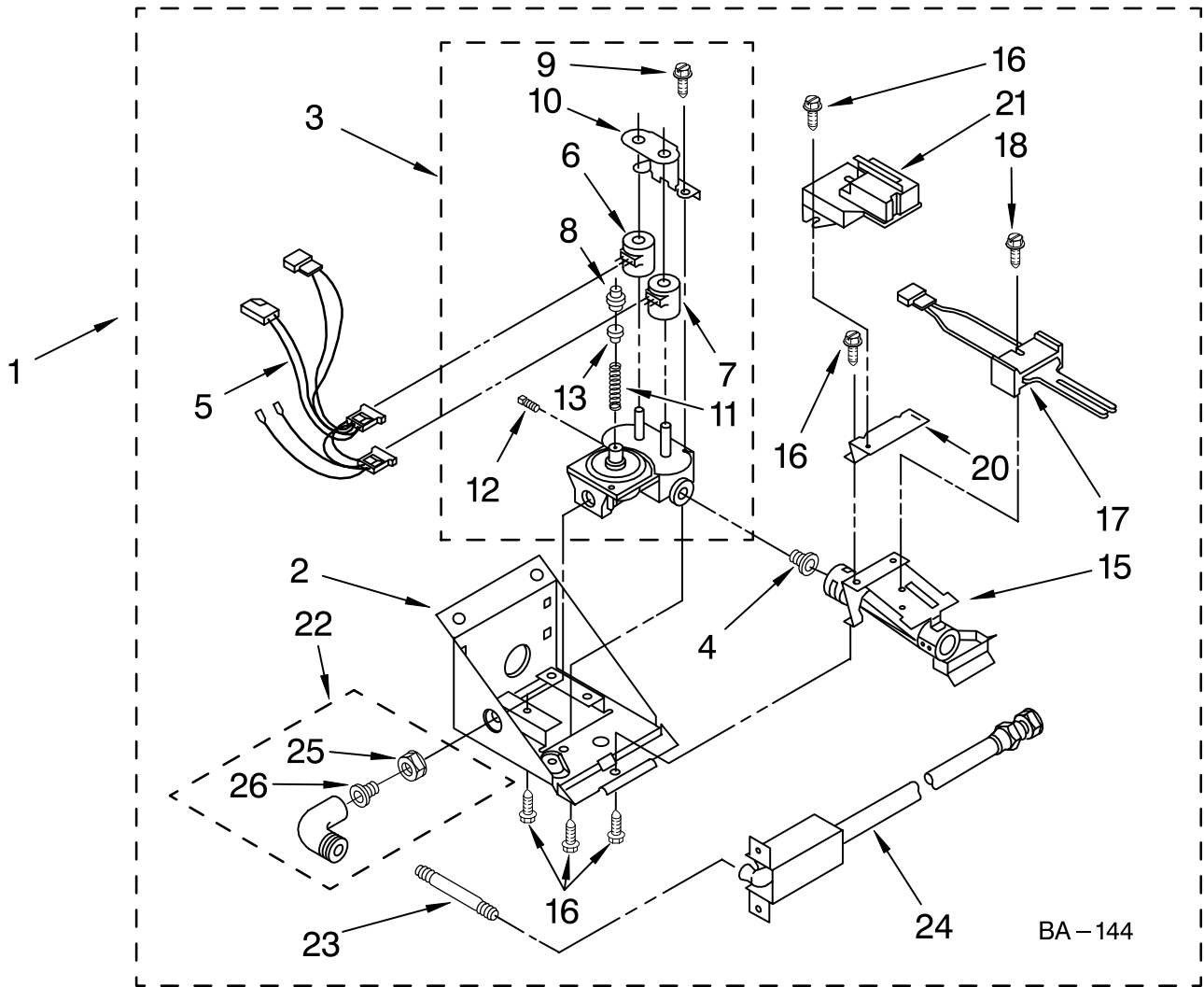
FOR ORDERING INFORMATION REFER TO PARTS PRICE LIST

# 3402856 BURNER ASSEMBLY

For Models: LTG5243DQ2, LTG5243DZ2, LTG5243DT2

(Designer White) (Designer Almond) (Biscuit)

**USE WITH TYPE 1 – NATURAL, TYPE 2 – MIXED, TYPE 3 – MANUFACTURED AND TYPE 4 – LIQUEFIED PROPANE AND BUTANE GASES**



Illus. No.	Part No.	DESCRIPTION
1	3402856	Burner Assembly 60 Hz.
2	697408	Base, Burner
3	3401777	Valve, 60 Hz.
4	234822	Orifice Natural Gas
	347743	L.P. Gas
5	3401849	Harness
6	694539	Coil, 60 Hz. (Split)
7	694540	Coil, 60 Hz.
8	694424	Leak Limiter

Illus. No.	Part No.	DESCRIPTION
9	694421	Screw, 8-32
10	694538	Bracket, Shunt
11	694422	Spring, Regulator
12	239822	Pipe, Plug
13	694423	Screw
15	3392268	Burner
16	3387057	Screw, 8-18 X 3/8
17	686590	Ignitor
18	3393909	Screw and Washer 8-32 x 1
20	697409	Bracket, Sensor
21	338906	Sensor, Radiant

Illus. No.	Part No.	DESCRIPTION
22	3406051	Elbow Union Assembly
23	3388638	Nipple, Short
24	3391118	Supply Line (Gas)
25	233076	Nut
26	3393767	Pipe

**Following Parts Not Illustrated**

49573 Conversion Kit (Type 1, 2 & 3) to Type (4) L.P.G.

FOR ORDERING INFORMATION REFER TO PARTS PRICE LIST