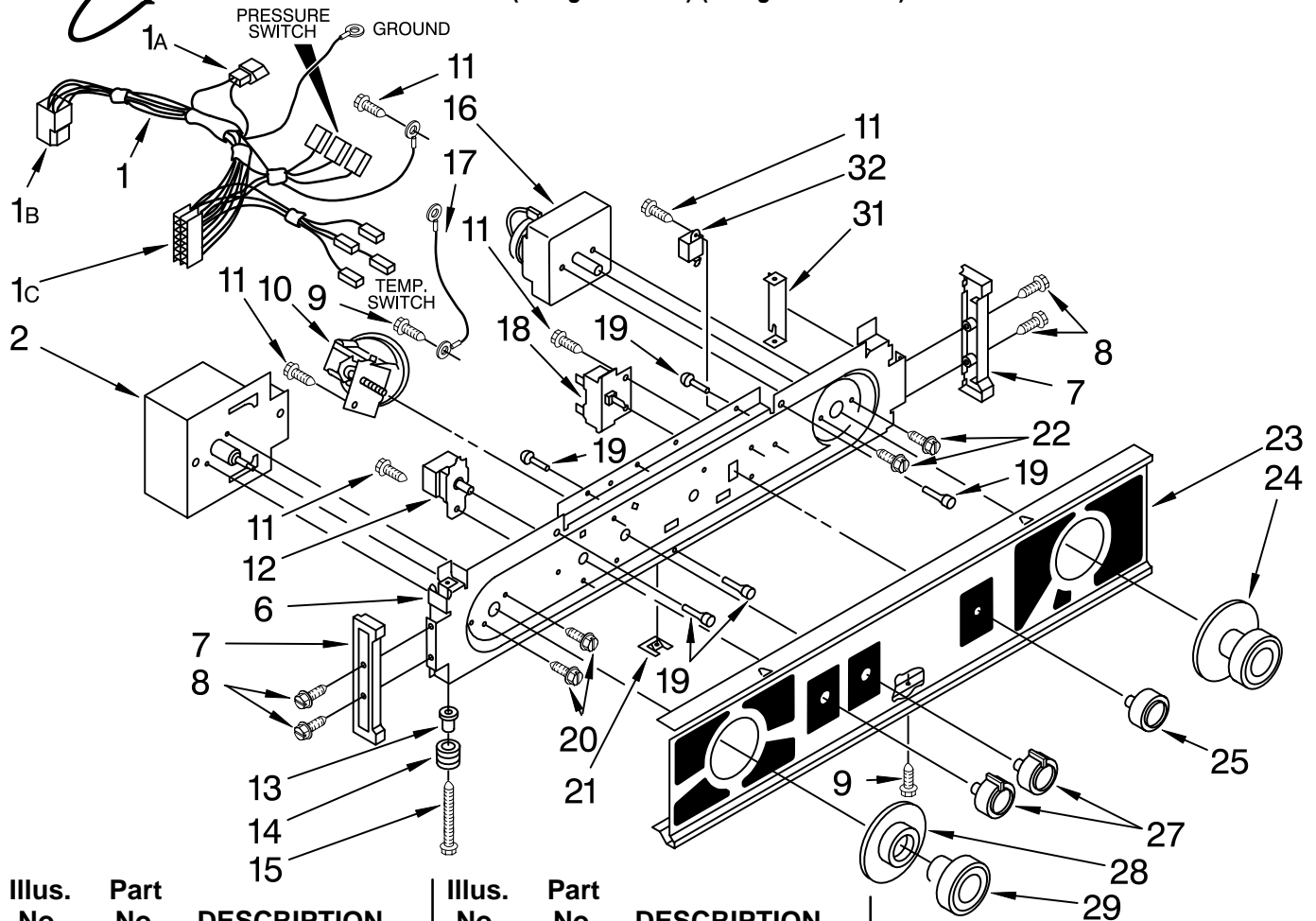




WASHER/DRYER CONTROL PANEL PARTS

For Models: LTE5243DQ0, LTE5243DZ0
(Designer White) (Designer Almond)

WASHER/DRYER
LAUNDRY SYSTEM



Illus. No.	Part No.	DESCRIPTION
1	3404403	Harness, Console Wiring (Automatic) (Includes Illus. 1A, 1B & 1C)
1A	3350130	Plug, Terminal (2-Way) (Connects With Main Dryer Harness)
1B	696073	Receptacle, Connector (Connects With Lower Automatic Harness)
1C	352089	Disconnect Block (Connects With Automatic Timer)
2	3948891	Timer, Control (60 Hz.) (Automatic Washer)
6	694338	Bracket, Control
7	692993	End Cap, Console (L.H. & R.H.)
8	348689	Screw, End Cap Mounting (4) (6-32 x 3/4)

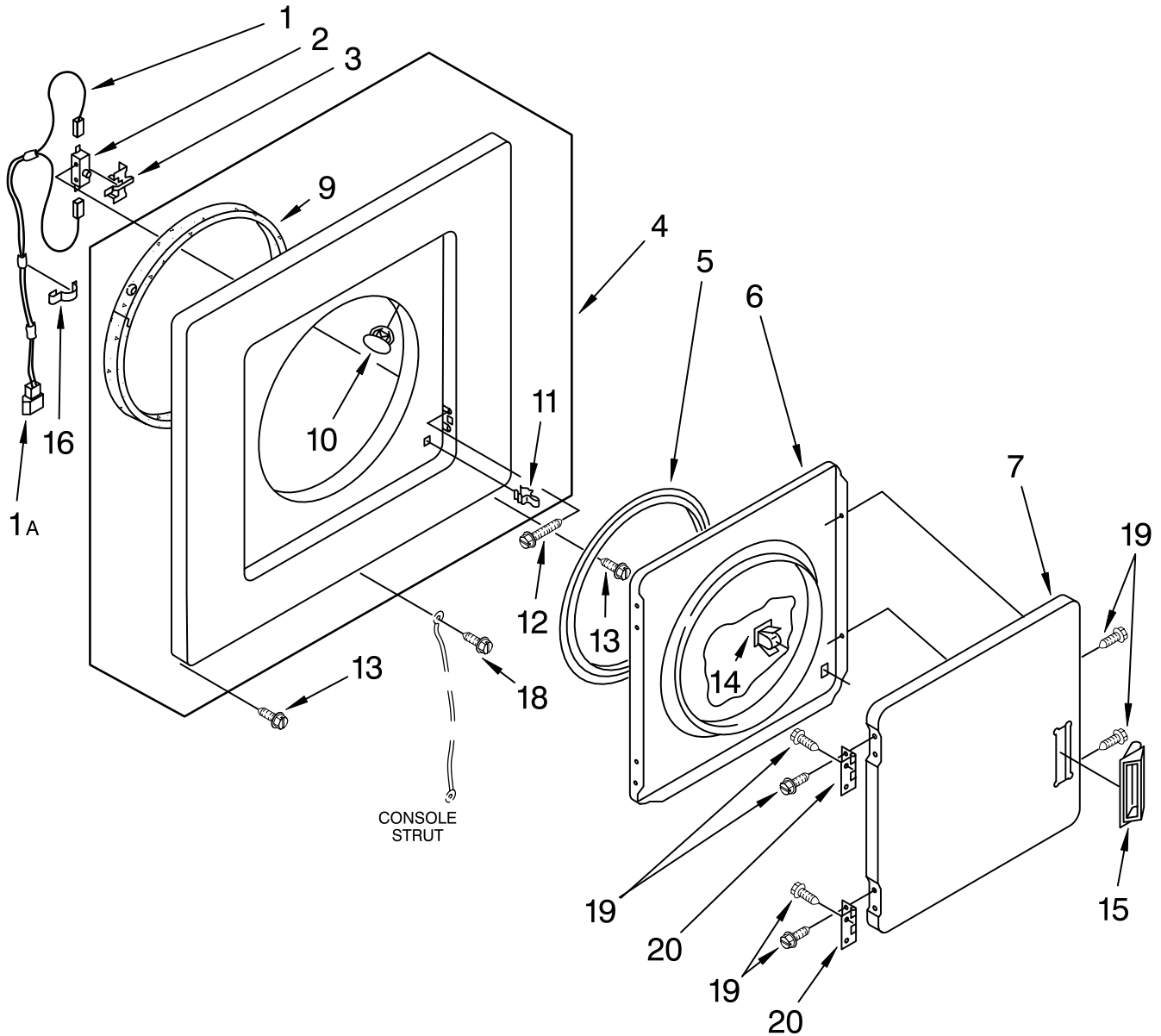
Illus. No.	Part No.	DESCRIPTION
9	694091	Screw, Mounting (2) #8 Posidrive
10	3362987	Switch, Water Level
11	339554	Screw
12	3363042	Switch, Water Temperature
13	693711	Sleeve, Console Lock Screw (2)
14	693151	Spring, Console Lock (2)
15	693710	Screw, Console Lock (2)
16	696165	Timer, Control (60 Hz.) (Dryer) (Timer Motor Not Serviceable)
17	693175	Strut, Console
18	660936	Switch, Push-To-Start
19	693152	Bumper, Console (5)
20	96435	Screw, Timer Mounting (2)
21	694037	Clip, Console
22	3400801	Screw, Dryer Timer Mounting (2) (8-32 x 3/16)

Illus. No.	Part No.	DESCRIPTION
23	3404262	Panel, Control White
	3404263	Almond
24	3396150	Knob, Timer (Dryer) White
	3396151	Almond
25	3396161	Knob, Push-To-Start White
	3396164	Almond
27	3358435	Knob, Control (2) White
	3358436	Almond
28	3403095	Dial, Timer (Washer) White
	3403096	Almond
29	3364291	Knob, Timer (Washer) White
	3364293	Almond
31	692983	Lock, Console (2)
32	694419	Buzzer

FOR ORDERING INFORMATION REFER TO PARTS PRICE LIST

DRYER FRONT PANEL AND DOOR PARTS

For Models: LTE5243DQ0, LTE5243DZ0
(Designer White) (Designer Almond)

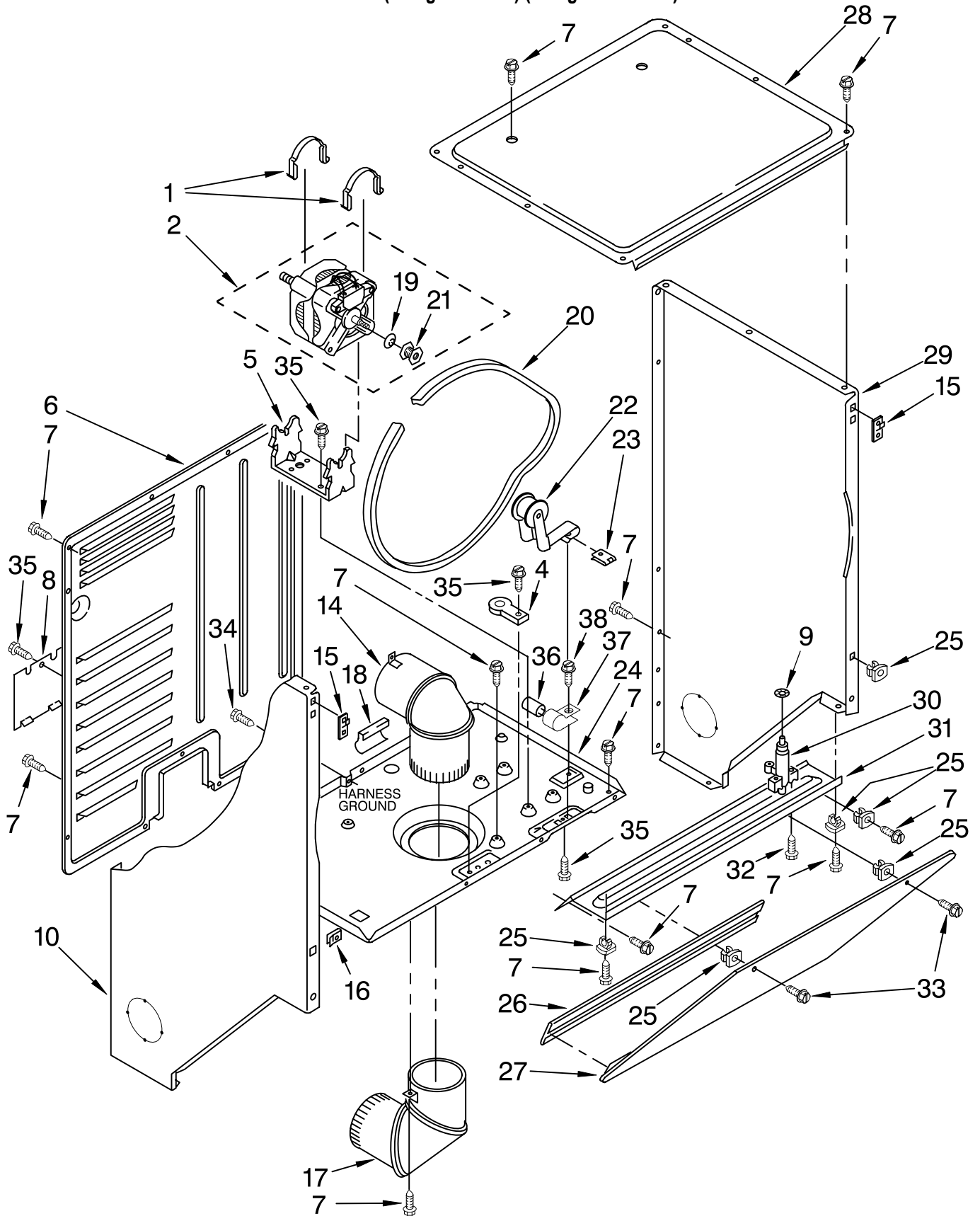


Illus. No.	Part No.	DESCRIPTION	Illus. No.	Part No.	DESCRIPTION	Illus. No.	Part No.	DESCRIPTION
1	692728	Harness, Door Switch (Includes Illus. 1A)	6	695656	Door, Rear	14	3389441	Catch, Door
1A	717253	Plug, Terminal (2-Way) (Connects With Main Dryer Harness)	7	348205	White	15	686711	White
2	347207	Switch, Door		689314	Almond		689308	Almond
3	691581	Lever, Door Switch	9	349462	Bearing & Seal	16	692846	Support Protector
4	692619	White	10	685203	Clip, Felt Pad (2)	18	339554	Screw, Console Strut Mounting
5	692620	Almond	11	696144	Strike, Panel	19	694091	Screw, Door Mount To Hinge & Panel (10)
	3390734	Seal, Door	12	98129	Screw, Door Switch	20	348023	Hinge & Pin, Door (2)
			13	343641	Screw, 10-16 x 1/2 (2) (Front Panel To Side Panel)			

FOR ORDERING INFORMATION REFER TO PARTS PRICE LIST

DRYER CABINET AND MOTOR PARTS

For Models: LTE5243DQ0, LTE5243DZ0
(Designer White) (Designer Almond)



FOR ORDERING INFORMATION REFER TO PARTS PRICE LIST

DRYER CABINET AND MOTOR PARTS

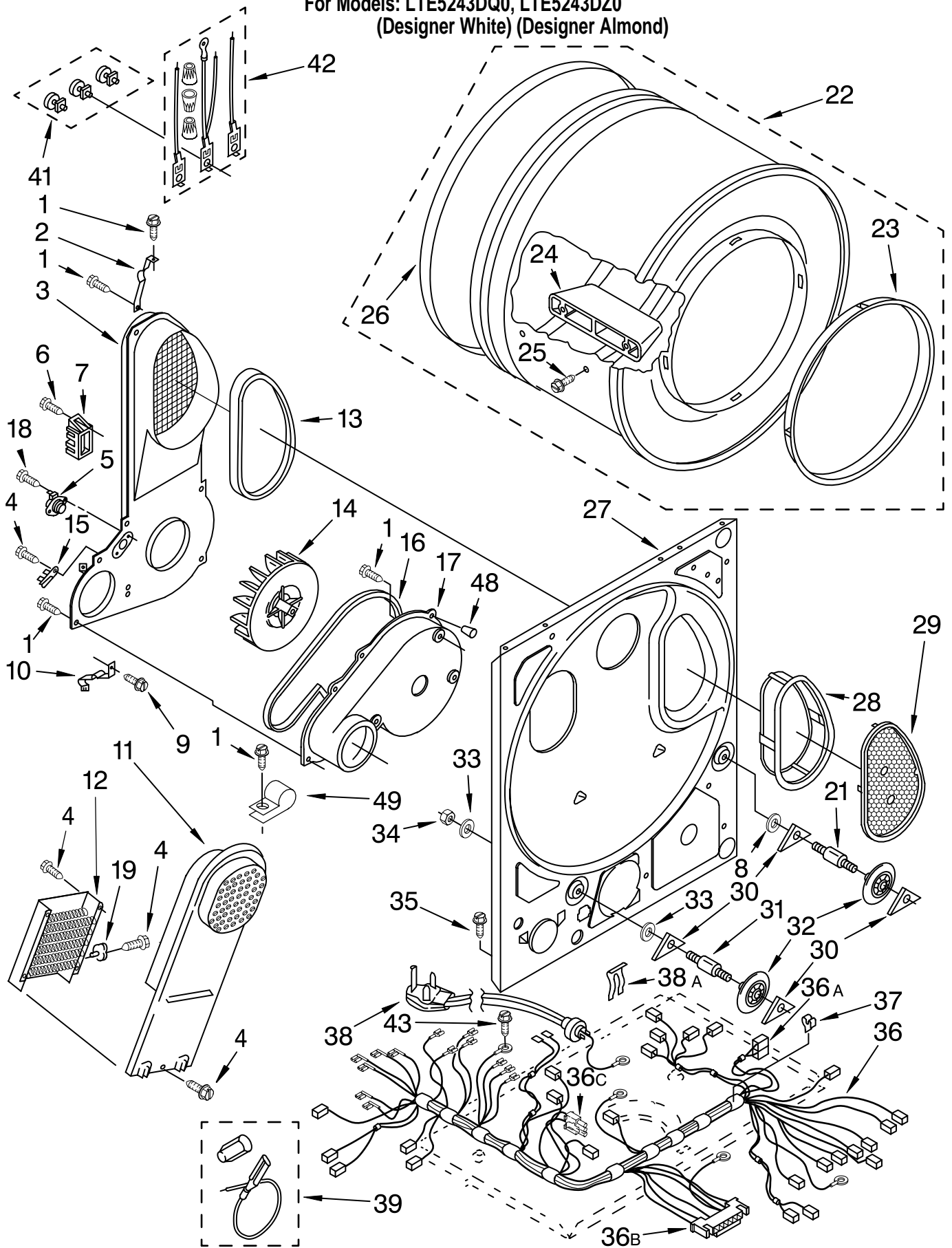
For Models: LTE5243DQ0, LTE5243DZ0
(Designer White) (Designer Almond)

Illus. No.	Part No.	DESCRIPTION	Illus. No.	Part No.	DESCRIPTION	Illus. No.	Part No.	DESCRIPTION
1	660658	Clamp, Motor Mounting (2) 343481 (Alt.) 685441 (Alt.)	17	3399603	Elbow, Lower	31		Closure, Control Area
2	3398046	Motor, Main Drive (60 Hz.)	18	686770	Support, Protector		692781	White
4	3388706	Resistor	19	3393657	Restrainer, Belt		692782	Almond
5	696541	Bracket, Motor	20	3394652	Belt, Drive	32	354975	Screw & Washer (3) (Lid Latch Mounting)
6	3390405	Panel, Rear	21	3396426	Pulley, Motor (60 Hz.)	33	693304	Screw & Washer (2) (Transition Panel To Closure)
7	343641	Screw, 10-16 x 1/2	22	691366	Idler & Bracket	34	697776	Screw, Ground (10-32 x 1/2)
8	307972	Cover, Terminal Block	23	692771	Nut, Idler Bracket To Base	35	3390631	Screw, 10-16 x 3/8
9	90296	Clip	24	3399632	Base, Dryer	36	357021	Capacitor, Motor Start (Automatic Washer)
10		Panel, Side (L.H.)	25	692400	Nut, Push-In	37	357030	Clamp, Capacitor
	3402293	White	26	692926	Cove, Transition Panel (Black)	38	343641	Screw, Capacitor Mounting (10-16 X 1/2)
	3402294	Almond	27		Panel, Transition			
14	3399602	Elbow, Upper		692933	White			
15	3394083	Clip, Front Panel (2)		692934	Almond			
16	98234	Clip, Ground	28	692641	Top, Dryer Panel, Side (R.H.)			
			29		Panel, Side (R.H.)			
				3402287	White			
				3402288	Almond			
			30	693145	Latch, Lid			

FOR ORDERING INFORMATION REFER TO PARTS PRICE LIST

DRYER BULKHEAD PARTS

For Models: LTE5243DQ0, LTE5243DZ0
(Designer White) (Designer Almond)



FOR ORDERING INFORMATION REFER TO PARTS PRICE LIST

DRYER BULKHEAD PARTS

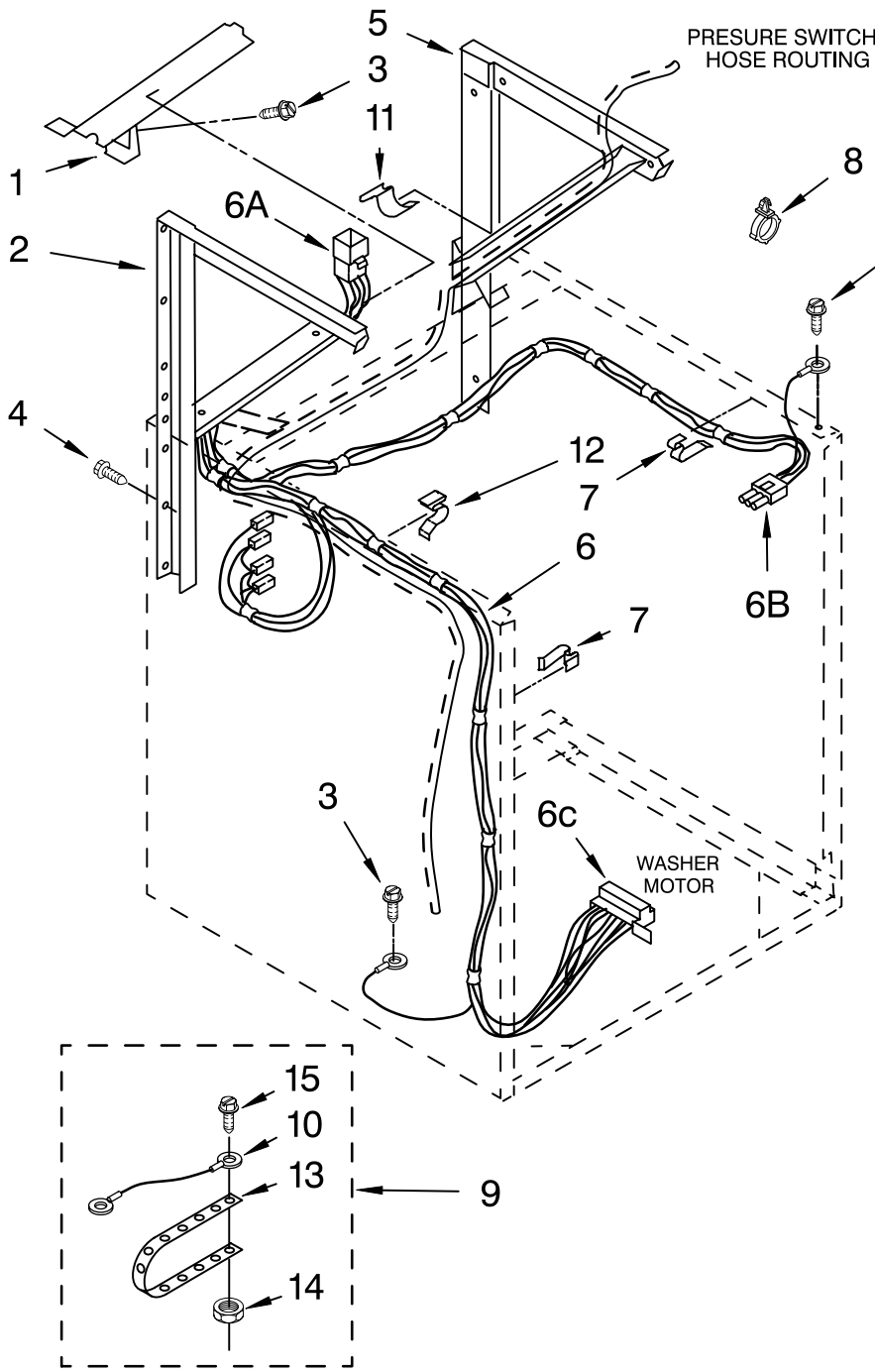
For Models: LTE5243DQ0, LTE5243DZ0
(Designer White) (Designer Almond)

Illus. No.	Part No.	DESCRIPTION	Illus. No.	Part No.	DESCRIPTION	Illus. No.	Part No.	DESCRIPTION
1	343641	Screw, 10-16 x 1/2	21	3399507	Shaft, Drum Roller (R.H.)	36B	3395683	Receptacle, Multi-Terminal (Connects With Motor)(Dryer)
2	3395396	Clip, Air Duct To Bulkhead	22	695943	Drum, Dryer			
3	696547	Air Duct & Bracket	23	3394508	Ring, Bearing	36C	62889	Receptacle, Terminal (2-Way) (Connects With Automatic Console Harness)
4	90767	Screw, 8-18 x 3/8	24	685207	Baffle, Drum (3)			
5	3398128	Thermostat, Internal Bias	25	697777	Screw, Baffle Mounting (6) (11-16 x 7/8)	37	693141	Clip, Wiring Harness (3)
6	3393008	Screw, Terminal Block To Bracket (2)	26	345648	Seal, Drum Rear	38	694045	Cord, Power
7	690261	Block, Terminal	27	695931	Bulkhead	38A	694415	Clip, Strain Relief (Power Cord)
8	3388703	Washer	28	348399	Lint Screen	39	279457	Wire Kit (For Heater Element Wiring Harness Repair)
9	3400800	Screw, 8-18 x 3/4	29	685273	Cover, Lint Screen Outlet	41	279393	Screw Kit (For Terminal Block)
10	3398161	Clip, Heater Box To Bulkhead	30	690997	Tri-Ring (4)	42	279318	Terminal, Tinned & Brass (3) (Includes Illus. 41)
11	3401380	Heater Box	31	3399506	Shaft, Drum Roller (L.H.)	43	697776	Screw, Ground (2) (10-32 x 1/2)
12	3398062	Element, Heater	32	3397588	Roller, Support (2)	48	359702	Cap, Screw
13	339956	Seal, Air Duct To Bulkhead	33	348197	Washer, Support (4)	49	255563	Clip, Strain Relief
14	696426	Wheel, Blower	34	3359452	Nut, 3/8-16 (2)			
15	3399849	Fuse, Thermal	35	3390631	Screw, 10-16 x 3/8 (Bulkhead To Base)			
16	696658	Seal, Fan Scroll	36	3398873	Harness, Main Dryer Wiring (Includes Nos.36A, 36B & 36C)			
17	696418	Fan Scroll	36A	717252	Receptacle, Terminal (2-Way) (Connects With Door Switch Harness)			
18	3390647	Screw, 8-18 x 1/2						
19	696818	Thermostat, Heater Box (225°F) (107.2°C)						

FOR ORDERING INFORMATION REFER TO PARTS PRICE LIST

DRYER SUPPORT AND WASHER PARTS

For Models: LTE5243DQ0, LTE5243DZ0
(Designer White) (Designer Almond)

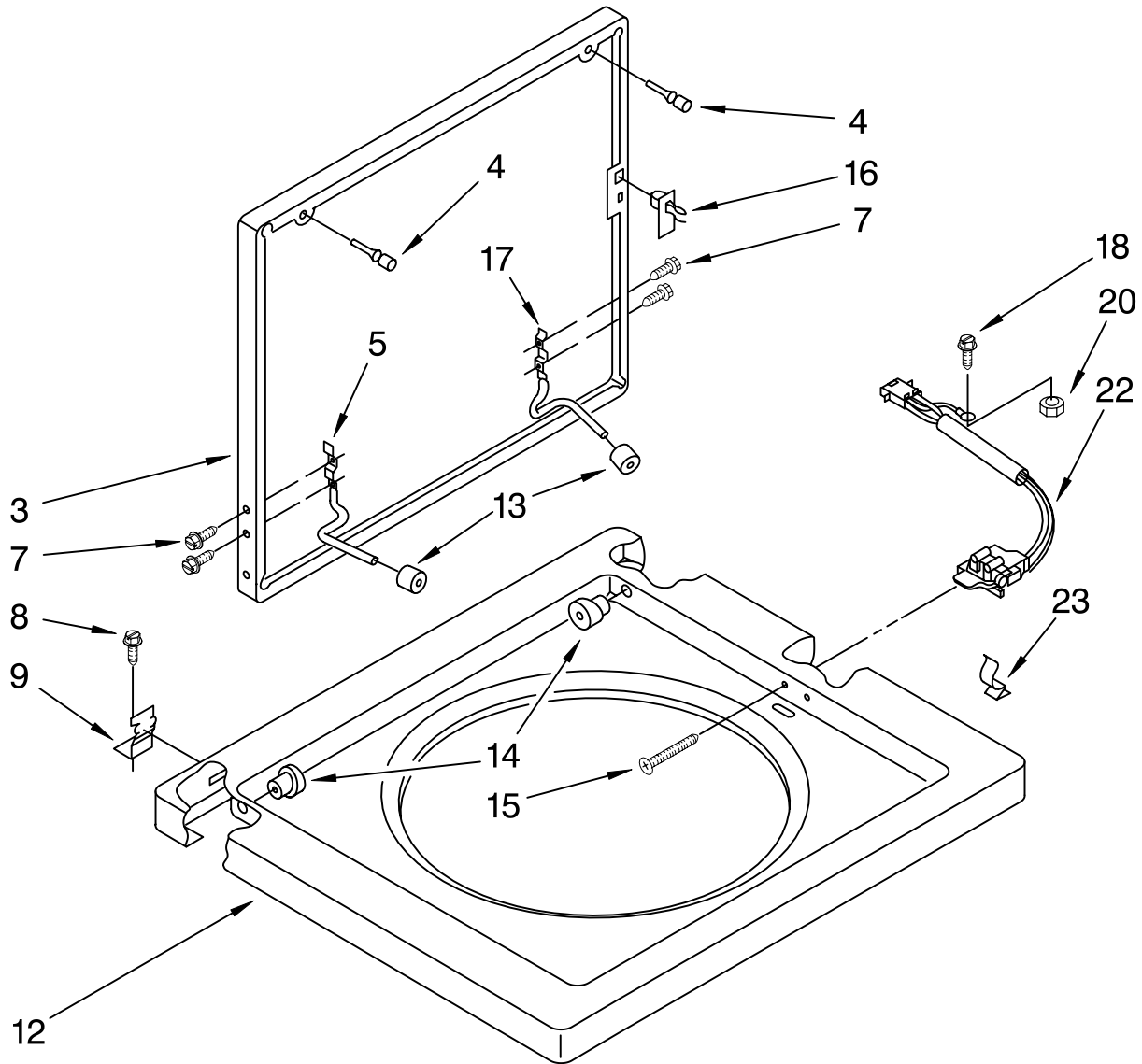


Illus. No.	Part No.	DESCRIPTION
1	694304	Cover, Channel
2	692647	Support, Dryer (L.H.)
3	343641	Screw, 10-16 x 1/2
4	3400000	Screw, 10-24 x 3/8 (8) (Washer Cabinet To Dryer Supports)
5	692646	Support, Dryer (R.H.)
6	3388677	Harness, Upper (Automatic) (Includes Illus. 6A, 6B & 6C)
6A	696074	Plug, Terminal (12-Way) (Connects With Automatic Console Harness)
6B	62889	Plug, Terminal (3-Way) (Connects With Automatic Lid Switch Harness)
6C	62505	Block, Disconnect (Connects With Automatic Washer Motor)
7	3347812	Clip, Wiring Harness (4)
8	3405028	Clip
9	685463	Kit, Grounding
10	685449	Wire, Ground
11	90016	Clip, Pressure Switch Hose (2)
12	693141	Clip, Harness And Hose
13	22965	Strap, Ground
14	120361	Nut, Hex
15	132848	Screw, 10-24 x 1

FOR ORDERING INFORMATION REFER TO PARTS PRICE LIST

WASHER TOP AND LID PARTS

For Models: LTE5243DQ0, LTE5243DZ0
(Designer White) (Designer Almond)



Illus. No.	Part No.	DESCRIPTION
3	3398843	Lid White
	3398844	Almond
4	384475	Bumper, Lid (2)
5	384458	Hinge, Lid (L.H.)
7	3351355	Screw, Lid Hinge Mounting (4)
8	343641	Screw, 10-16 X 1/2 (2)
9	692985	Clip, Spring (2) (Top To Cabinet)

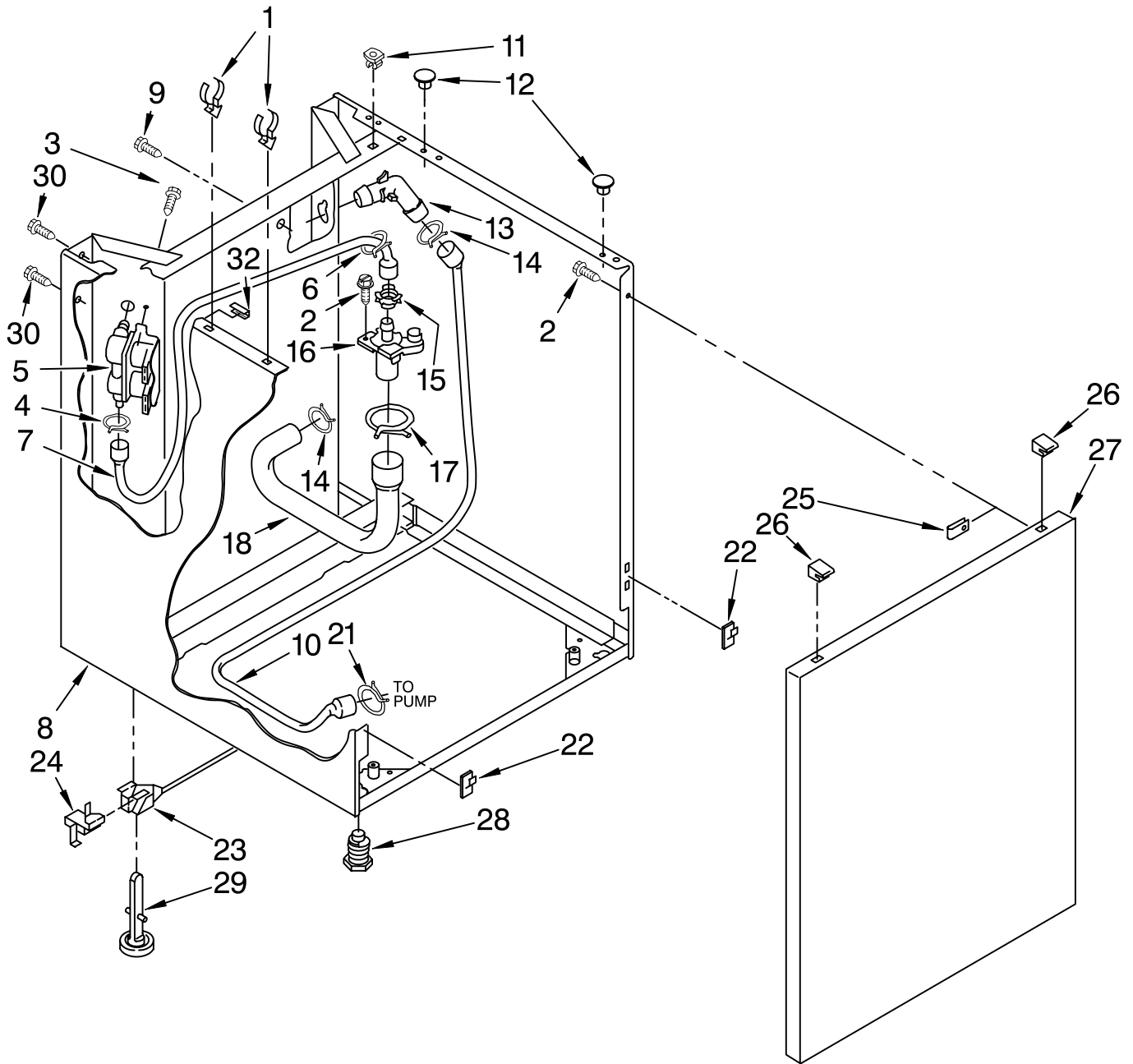
Illus. No.	Part No.	DESCRIPTION
12	384693	Top White
	384694	Almond
13	19119	Bumper, Lid Hinge (2)
14	21258	Bearing, Lid Hinge (2)
15	3356311	Screw & Washer, Lid Switch Shield (2)

Illus. No.	Part No.	DESCRIPTION
16	358684	Strike, Lid Switch
17	384459	Hinge, Lid (R.H.)
18	274707	Screw, Ground (10-24 X 1/2)
20	271166	Nut, Ground Screw (10-24)
22	3355806	Switch, Lid
23	90016	Clip, Harness Routing

FOR ORDERING INFORMATION REFER TO PARTS PRICE LIST

WASHER CABINET PARTS

For Models: LTE5243DQ0, LTE5243DZ0
(Designer White) (Designer Almond)



FOR ORDERING INFORMATION REFER TO PARTS PRICE LIST

WASHER CABINET PARTS

For Models: LTE5243DQ0, LTE5243DZ0
(Designer White) (Designer Almond)

Illus. No.	Part No.	DESCRIPTION
1	356746	Clip, Condenser (2)
2	343641	Screw, 10-16 X 1/2
3	62863	Screw, Mixing Valve Mounting (2) (10-16 X 3/8)
4	370451	Clamp, Hose
5	3360389	Valve, Water Mixing
6	660626	Clamp, Hose
7	692699	Hose, Water Inlet (Siphon Break To Mixing Valve)
8		Cabinet
	696013	White
	696014	Almond
9	690989	Screw, Ground
10	696710	Hose, Drain
11	692400	Nut, Push-In (2)
12	660975	Plug, Top To Cabinet
		689587 (Alt.)
		694010 (Alt.)
13	356739	Connector, Hose
14	660626	Clamp, Hose
15	356471	Cap, Siphon Break
16	356363	Siphon Break
17	272861	Clamp, Hose
18	696394	Hose, Water Inlet (Siphon Break To Tub Ring)
21	660628	Clamp, Hose
22	3394083	Clip, Front Panel (2)
23	358652	Link, Leveling
24	359364	Clip, Leveling Mechanism (2)
25	98234	Clip, Ground
26	345670	Lock, Top (2)
27		Panel, Front
	692628	White
	692629	Almond
28	367594	Foot, Front (2)
29	358594	Foot, Rear (2)
30	3400000	Screw, 10-24 X 3/8 (Washer Cabinet To Dryer Supports)
32	3390046	Protector, Edge

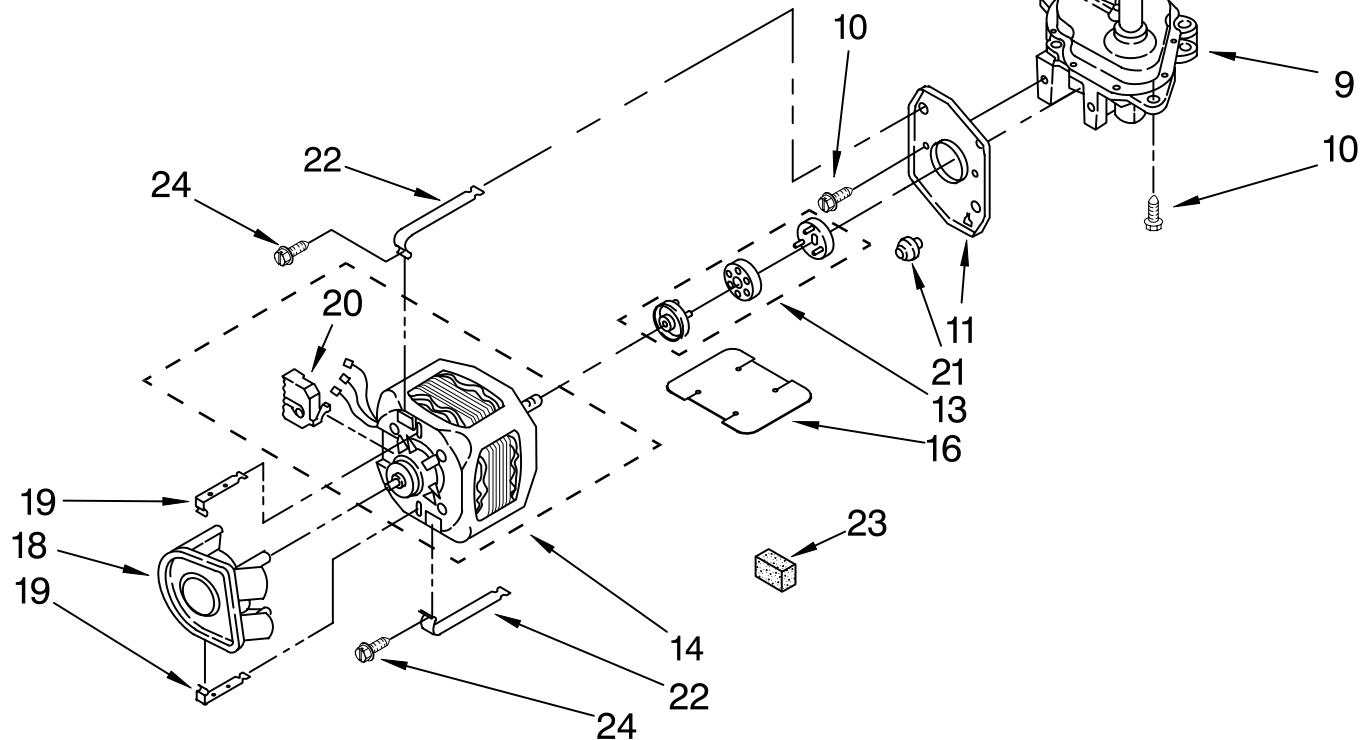
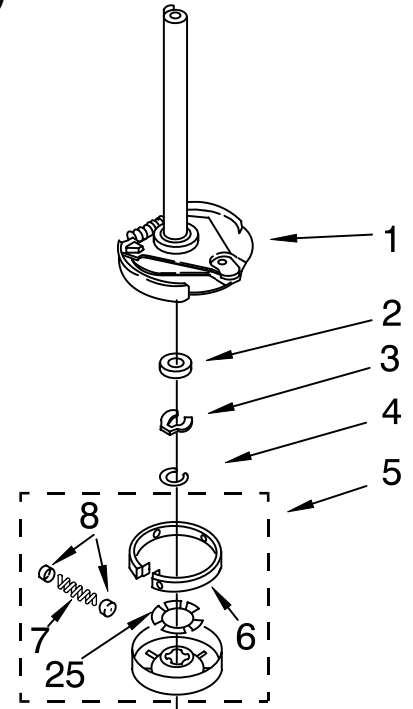
FOR ORDERING INFORMATION REFER TO PARTS PRICE LIST

BRAKE, CLUTCH, GEARCASE, MOTOR AND PUMP PARTS

For Models: LTE5243DQ0, LTE5243DZ0
(Designer White) (Designer Almond)

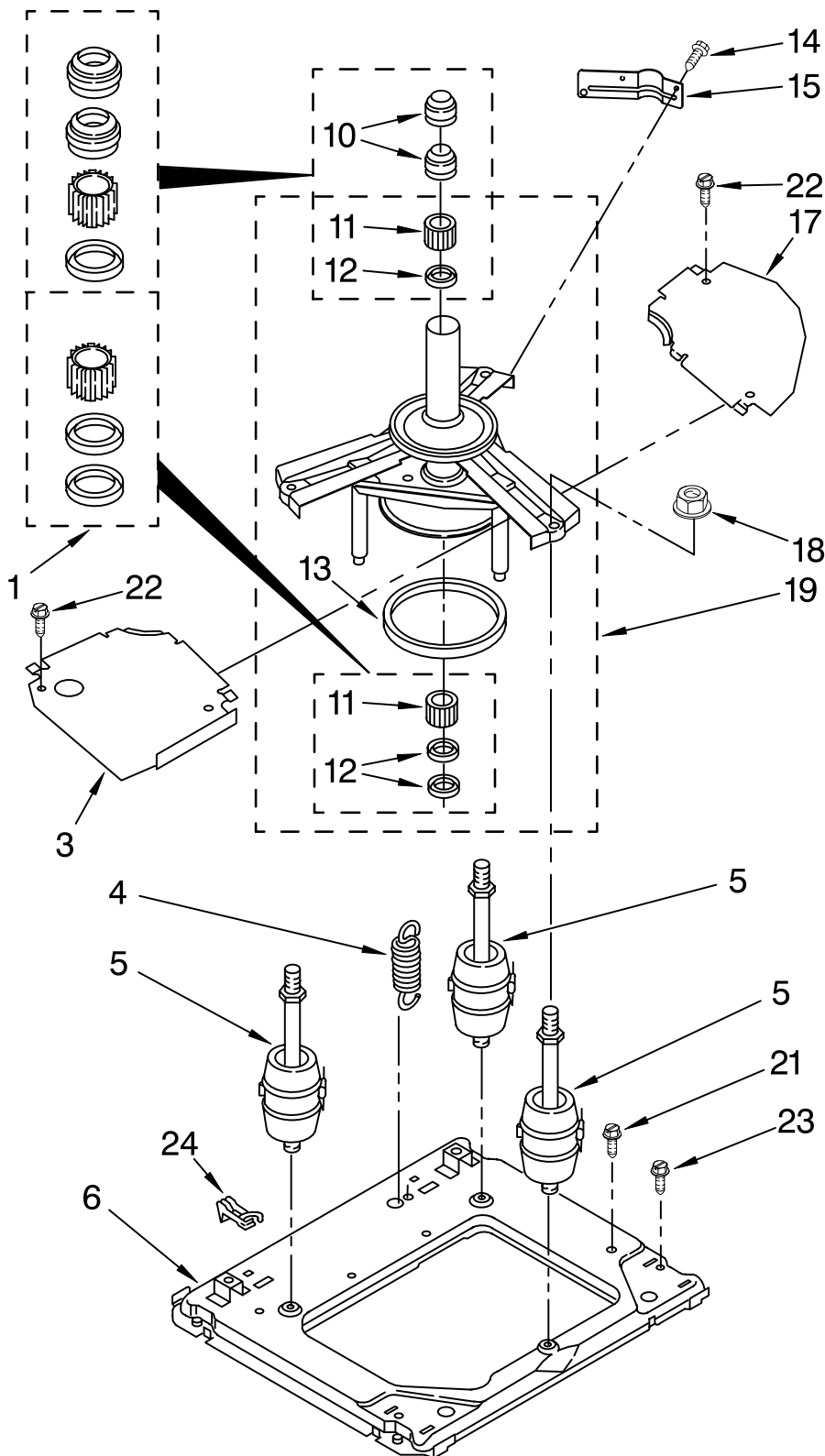
Illus. No.	Part No.	DESCRIPTION
1	387948	Brake And Drive Tube (Complete) (Refer To Page 16 For Further Breakdown)
2	63292	Washer, Spin Tube Thrust
3	62697	Ring, Spin Tube Support
4	63283	Ring, Retainer
5	3351342	Clutch (Complete)
6	3946793	Band And Lining (Includes Illus. 7 & 8)
7	3364271	Spring, Clutch
8	62646	Cap, Clutch Spring (2)
9	3360630	Gearcase (Complete)(Refer To Page 15 For Further Breakdown)

Illus. No.	Part No.	DESCRIPTION
10	3357334	Screw, (3) (Gearcase To Tub Support)
11	62611	Plate, Motor Mount To Gearcase
13	3364003	Coupling, Motor & Isolating
14	661600	Motor, Main Drive
16	3946532	Plate, Motor
18	3363394	Pump, Complete
19	62700	Retainer, Pump
20	62850	Switch, Main Drive Motor
21	62691	Grommet, Motor (4)
22	3349637	Retainer, Motor (2)
23	3350013	Foam
24	3387485	Screw (2) #10-16 x 5/8
25	3355454	Clip (Anti-Rattle)



MACHINE BASE PARTS

For Models: LTE5243DQ0, LTE5243DZ0
(Designer White) (Designer Almond)

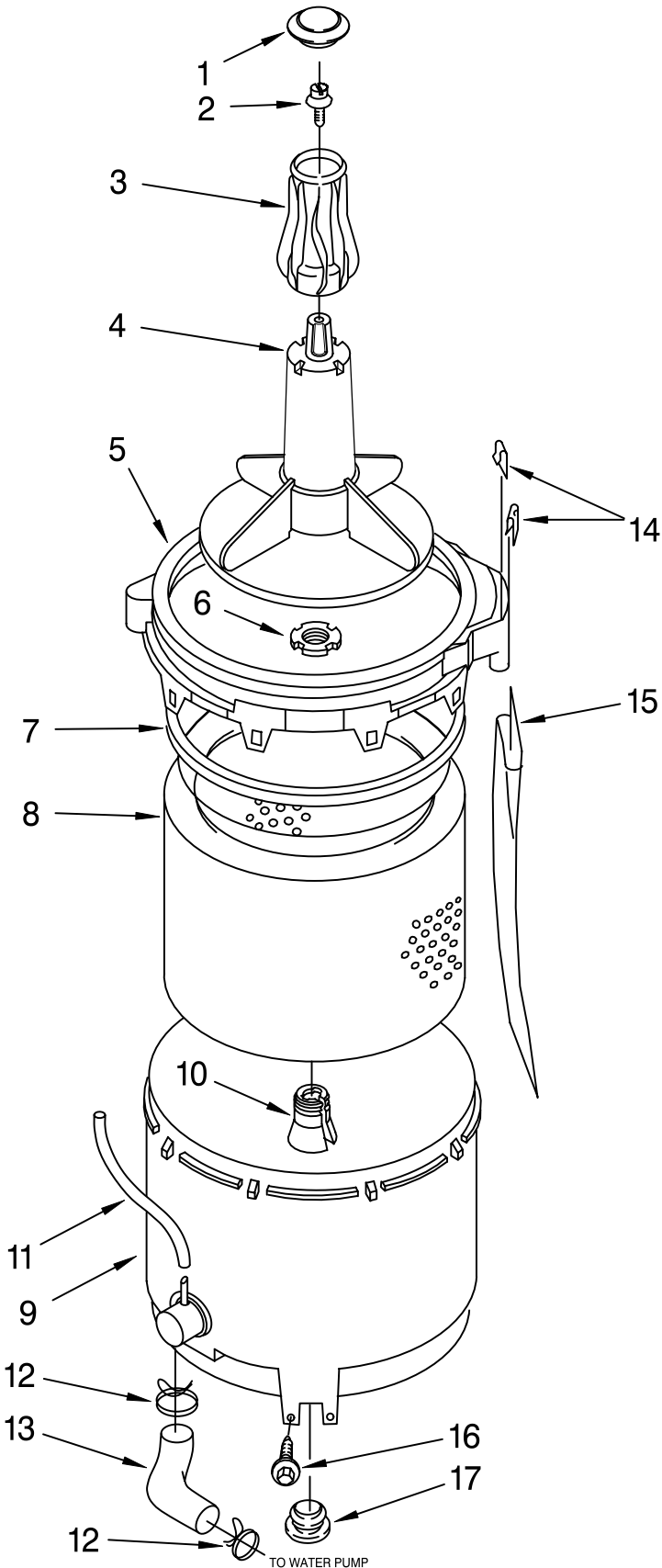


Illus. No.	Part No.	DESCRIPTION
1	285203	Centerpost Bearing Kit (Incls. Illus. 10, 11, & 12)
3	64137	Shield, Tub
4	388492	Spring, Counterweight
5	3350397	Suspension Assembly (3)
6	63755	Base
10	356934	Seal, Centerpost (2)
11	3347047	Bearing, Centerpost (2)
12	357409	Seal, Centerpost (3)
13	63134	Ring, Sound Deadening
14	343641	Screw, 10-16 X 1/2 (2)
15	63636	Bracket, Counterweight Spring
17	63637	Shield, Tub
18	3351021	Nut, 1/2 - 13 (3)
19	63740	Tub Support and Drum
21	64247	Screw, 10-16
22	90767	Screw, 8A X 3/8 (4)
23	386011	Screw & Washer (Base To Cabinet)
24	696044	Block, Restraint (2)

FOR ORDERING INFORMATION REFER TO PARTS PRICE LIST

TUB AND BASKET PARTS

For Models: LTE5243DQ0, LTE5243DZ0
(Designer White) (Designer Almond)



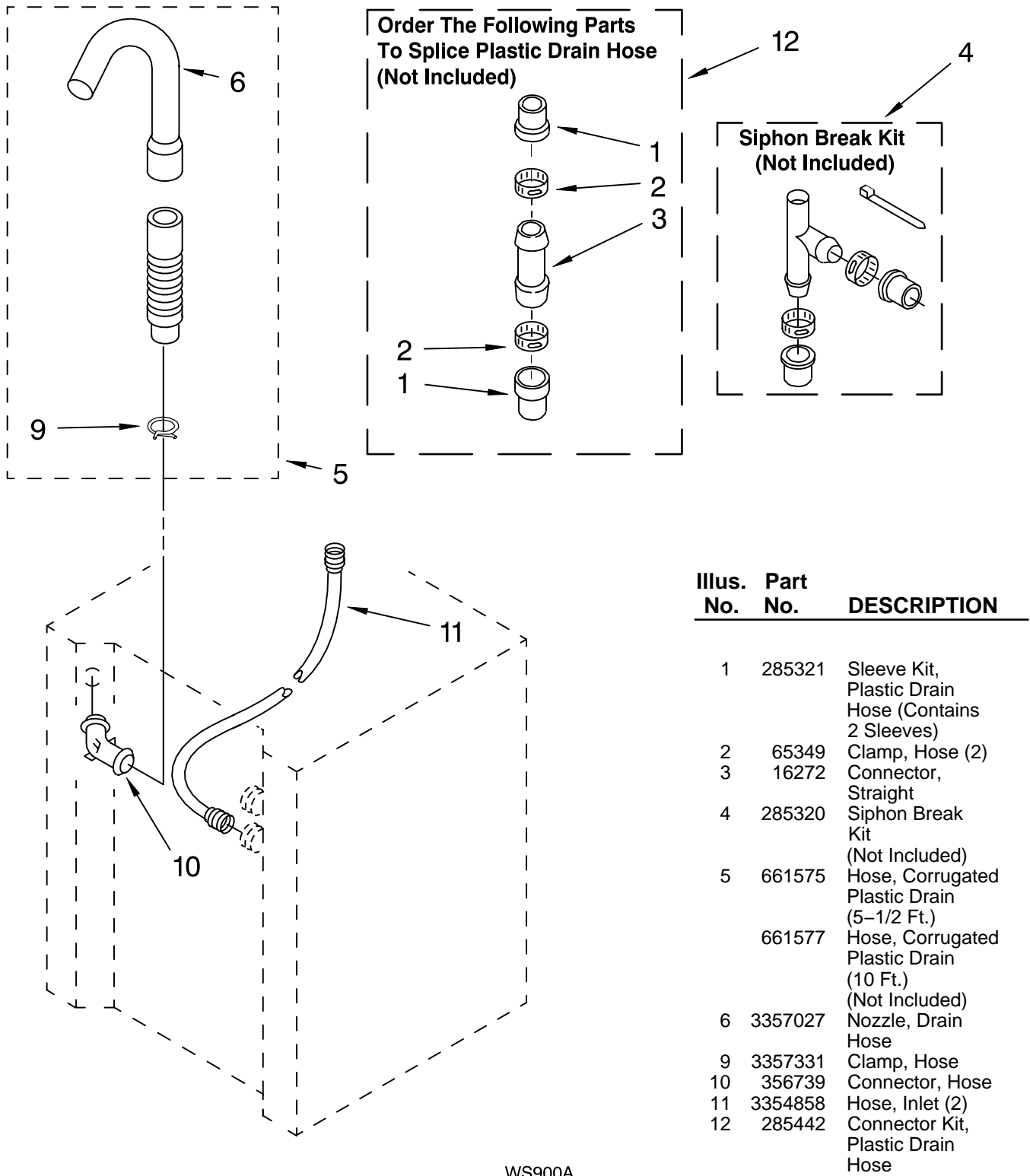
Illus. No.	Part No.	DESCRIPTION
------------	----------	-------------

1	3355758	Cap, Agitator
2	358237	Screw & Washer (5/16-24 x 1)
3	63840	Filter, Agitator
4	3349098	Agitator
5	64175	Tub Ring & Gasket (Includes Illus. 7, 14 & 15)
6	21366	Nut, Spanner
7	3359587	Gasket, Tub Ring
8	3351985	Basket
9	63782	Tub
10	389140	Block, Basket Drive
11	696238	Hose, Pressure Switch
12	371502	Clamp, Hose
13	386929	Hose, Tub To Pump
14	352155	Clip, Retaining (2)
15	356398	Tube, Drain Off
16	357640	Screw & Washer (Tub Mounting) (4)
17	383727	Gasket, Centerpost

FOR ORDERING INFORMATION REFER TO PARTS PRICE LIST

WASHER WATER SYSTEM PARTS

For Models: LTE5243DQ0, LTE5243DZ0
(Designer White) (Designer Almond)

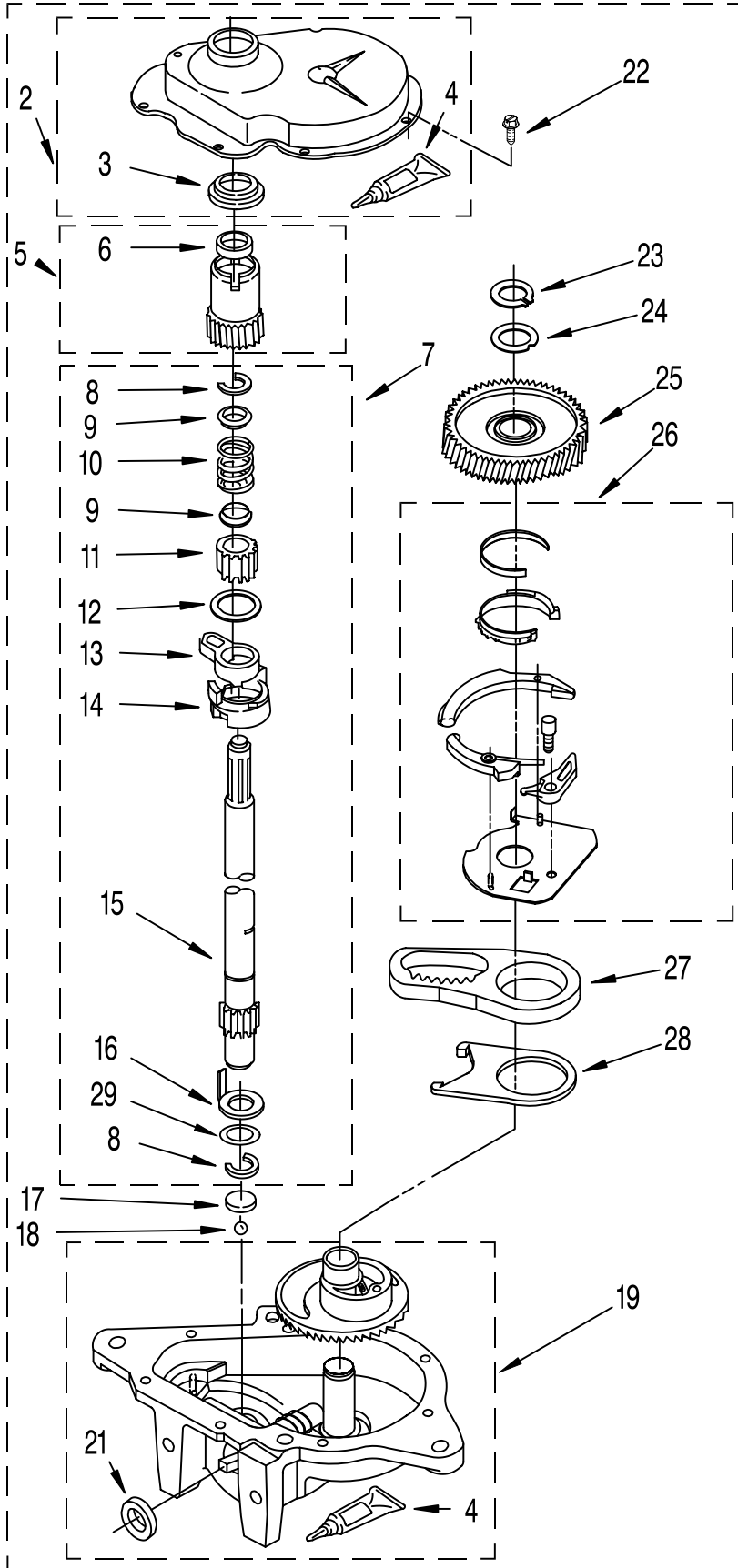


WS900A

FOR ORDERING INFORMATION REFER TO PARTS PRICE LIST

GEARCASE PARTS

For Models: LTE5243DQ0, LTE5243DZ0
(Designer White) (Designer Almond)



Illus. No.	Part No.	DESCRIPTION
1	3360630	Gearcase (Complete)
2	285202	Cover, Gearcase
3	3349985	Seal, Gearcase Cover
4	285195	Sealer, Gasket (.20 Fl. Oz.) (6 ml)
5	63320	Pinion, Spin (Includes Illus. 25)
6	356427	Seal, Spin Pinion
7	389387	Shaft, Agitator (Complete)
8	90369	Ring, Retaining (2)
9	62677	Retainer, Spring
10	62676	Spring, Agitate
11	63273	Gear, Agitate (Includes 15 and 29)
12	62619	Washer, Agitate Gear
13	62580	Cam Follower (Includes 14)
14	62581	Cam, Agitate (Includes 13)
15	285509	Shaft, Agitator (Includes 11 and 29)
16	62618	Washer, Cam Thrust
17	16018	Bearing, Thrust
18	85529	Ball, Bearing
19	389230	Bottom and Pinion, Gearcase
21	285352	Seal, Thrust Plug
22	3351614	Screw, Gearcase Cover, Mounting (8) (10-24 x 3/8)
23	3362552	Ring, Retaining
24	285735	Washer Kit, Thrust
25	62570	Gear, Spin
26	388253	Neutral Assembly
27	3349296	Rack, Connecting
28	62621	Actuator, Shift
29	388815	Washer, Intermediate

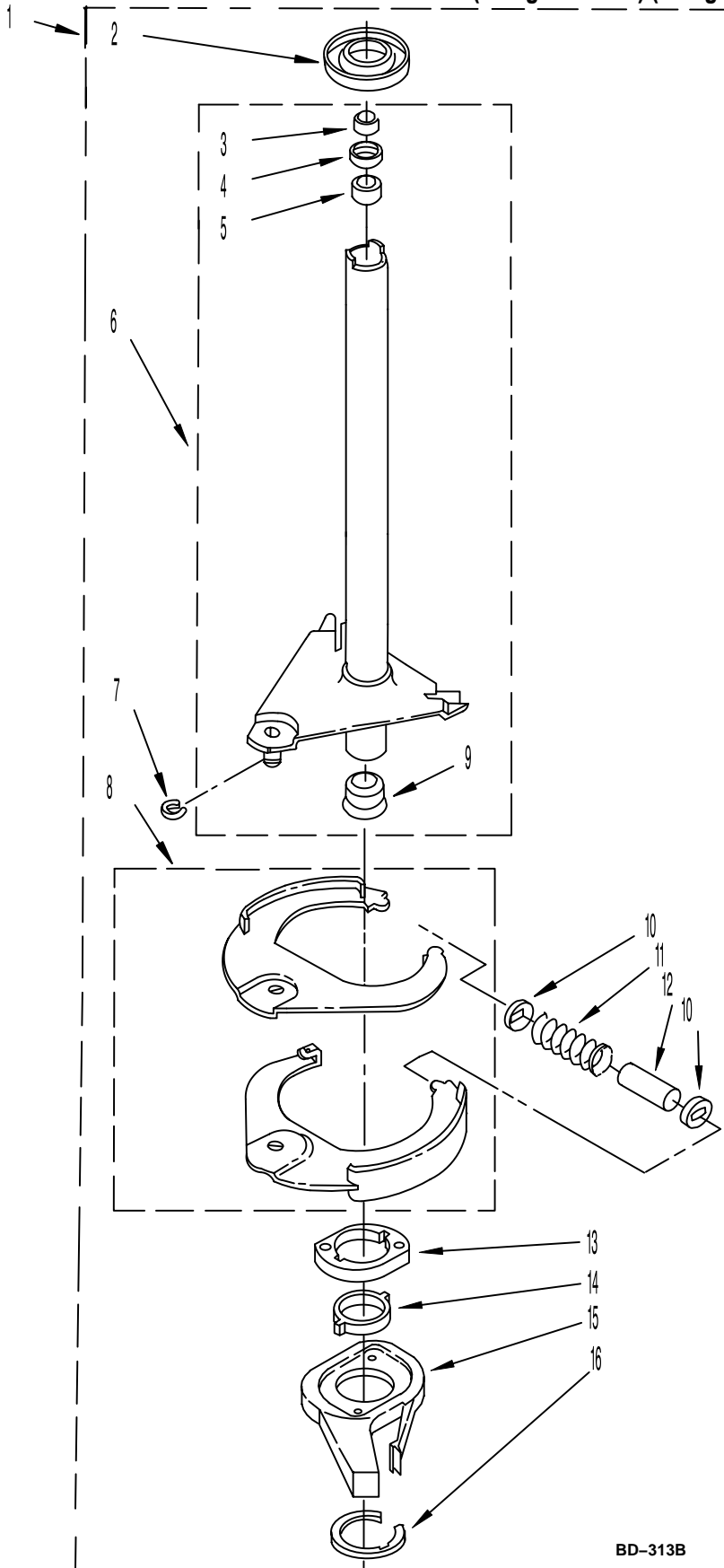
GC-215C

FOR ORDERING INFORMATION REFER TO PARTS PRICE LIST

BRAKE AND DRIVE TUBE PARTS

For Models: LTE5243DQ0, LTE5243DZ0

(Designer White) (Designer Almond)



Illus. No.	Part No.	DESCRIPTION
1	387948	Brake And Drive Tube (Complete)
2	62658	Ring, Thrust
3	91939	Seal, Oil
4	356427	Seal, Drive Tube
5	356937	Spacer, Drive Tube
6	64027	Tube, Basket Drive (Includes Illus. 3, 4, 5 & 9)
7	64035	Ring, Retaining
8	64232	Brake Shoe
9	62703	"T" Bearing, Spin Tube
10	62648	Cap, Brake Spring (2)
11	63748	Spring, Brake
12	62909	Sleeve, Brake Spring
13	661516	Cam, Brake Release 63023 (Alt.) 3348288 (Alt.)
14	63022	Sleeve, Cam
15	64194	Driver, Brake Cam
16	90368	Ring, Retaining

BD-313B

BD-313B

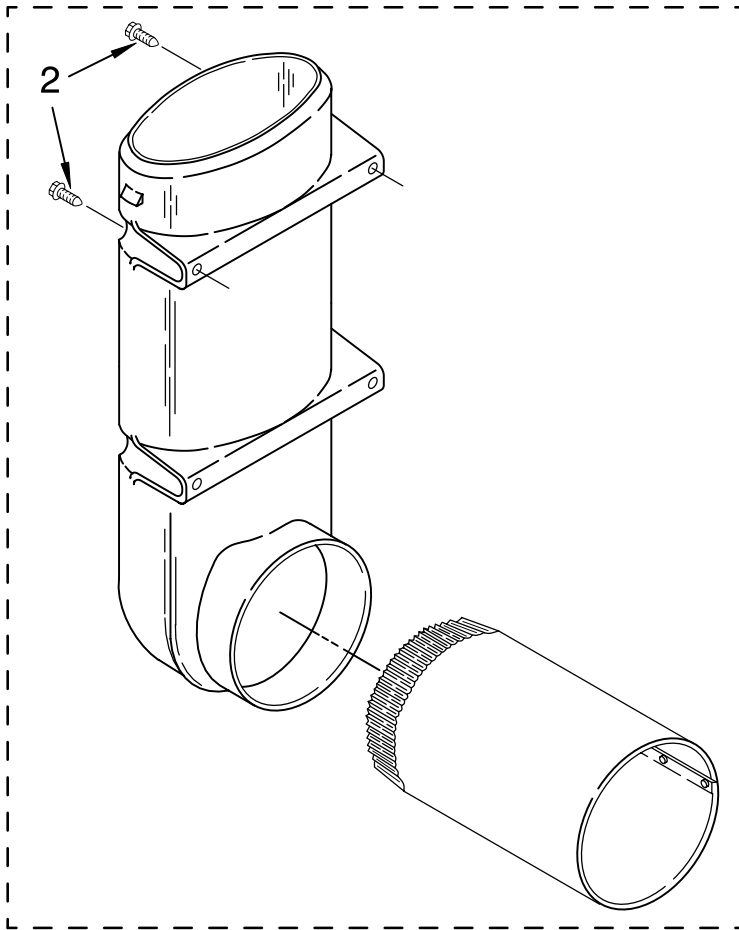
FOR ORDERING INFORMATION REFER TO PARTS PRICE LIST

SALES ACCESSORY PARTS

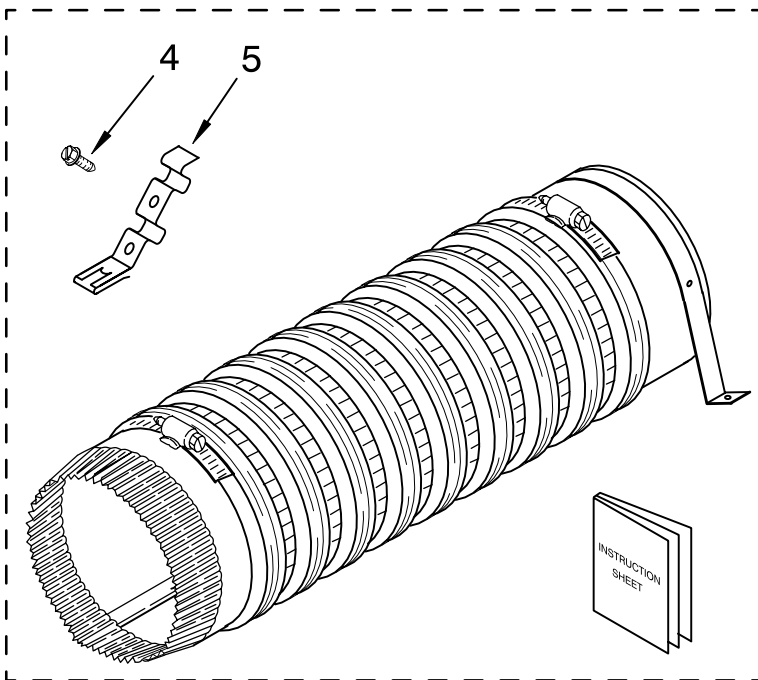
For Models: LTE5243DQ0, LTE5243DZ0

(Designer White) (Designer Almond)

LCK 4500



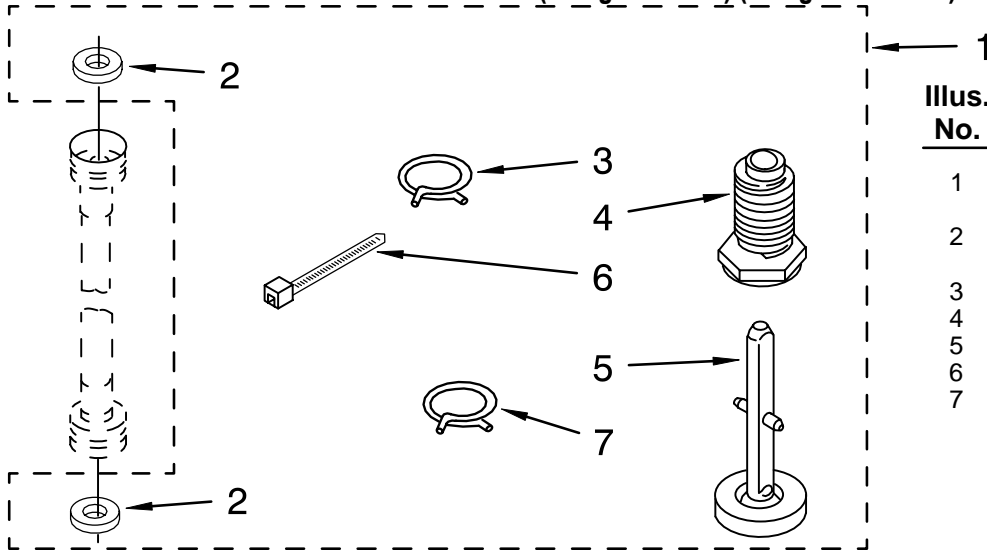
Illus. No.	Part No.	DESCRIPTION
1	694609	Exhaust Deflector Kit (Complete)
2	687128	Screw, Mounting (2) (10-16 X 1/2) (Hex Washer Head)
3	279823	Side Exhaust Extension Kit (Complete)
4	488729	Screw,
5	3395536	Clip



FOR ORDERING INFORMATION REFER TO PARTS PRICE LIST

MISCELLANEOUS PARTS

For Models: LTE5243DQ0, LTE5243DZ0
(Designer White) (Designer Almond)



Illus. No.	Part No.	DESCRIPTION
1	3359934	Miscellaneous Parts Bag
2	16123	Washer, Inlet Hose (4)
3	370445	Clamp, Hose
4	367594	Foot, Front (2)
5	358594	Foot, Rear (2)
6	3347868	Tie, Cable
7	3357331	Clamp, Hose (Upper Drain)

LITERATURE AND OPTIONAL PARTS

Illus. No.	Part No.	DESCRIPTION
LITERATURE PARTS		
LIT3397612		Instructions, Installation
LIT3401098		Guide, Use & Care
LIT3397739		Tag, Energy Guide
LIT3404404		Label, Wiring Diagram

Illus. No.	Part No.	DESCRIPTION
OPTIONAL PARTS NOT INCLUDED		
<u>PAINT, TOUCH-UP (1/2oz.)</u>		
	72017	White
	72107	Almond
<u>PAINT, PRESSURIZED SPRAY (13 oz.)</u>		
	350941	Leveler (Thinner)
	350938	Primer, Gray
	350930	White
	350956	Almond
<u>PAINT, BULK (1 qt.)</u>		
	799344	White (Uncut)
	978883	Almond (Uncut)

Illus. No.	Part No.	DESCRIPTION
<u>OIL</u>		
	350572	Oil, Gearcase (16 Oz.)
<u>LUBRICANT</u>		
	285208	Lubricant (Use Only in Brake Shoe Assembly On Roller and Pin)
<u>SEALER</u>		
	285195	Sealer, Gasket (.20 Fl. Oz.) (6 ml)

FOR ORDERING INFORMATION REFER TO PARTS PRICE LIST