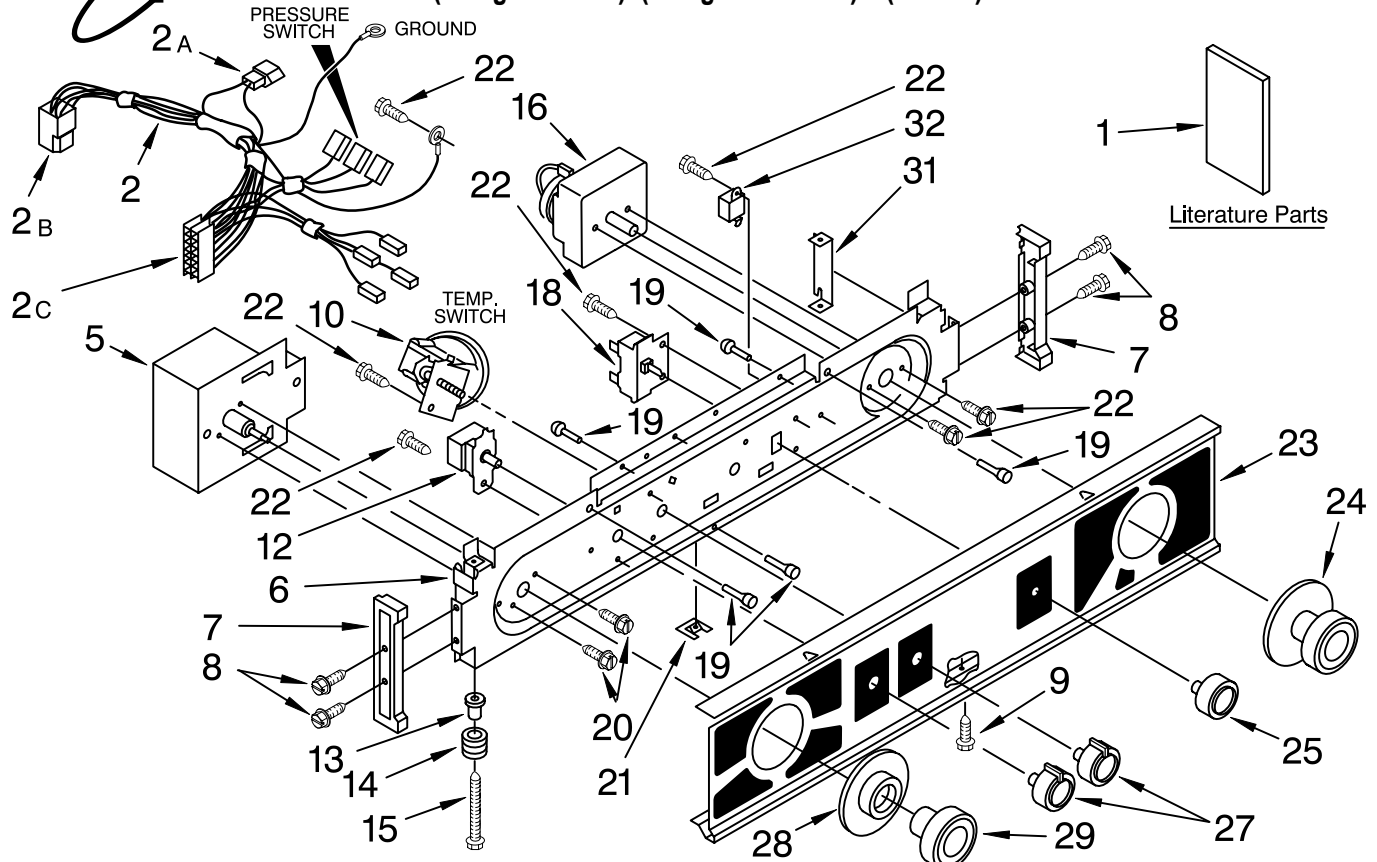




# WASHER/DRYER CONTROL PANEL PARTS

For Models: LTE5243DQ2, LTE5243DZ2, LTE5243DT2  
(Designer White) (Designer Almond) (Biscuit)

WASHER/DRYER  
LAUNDRY SYSTEM



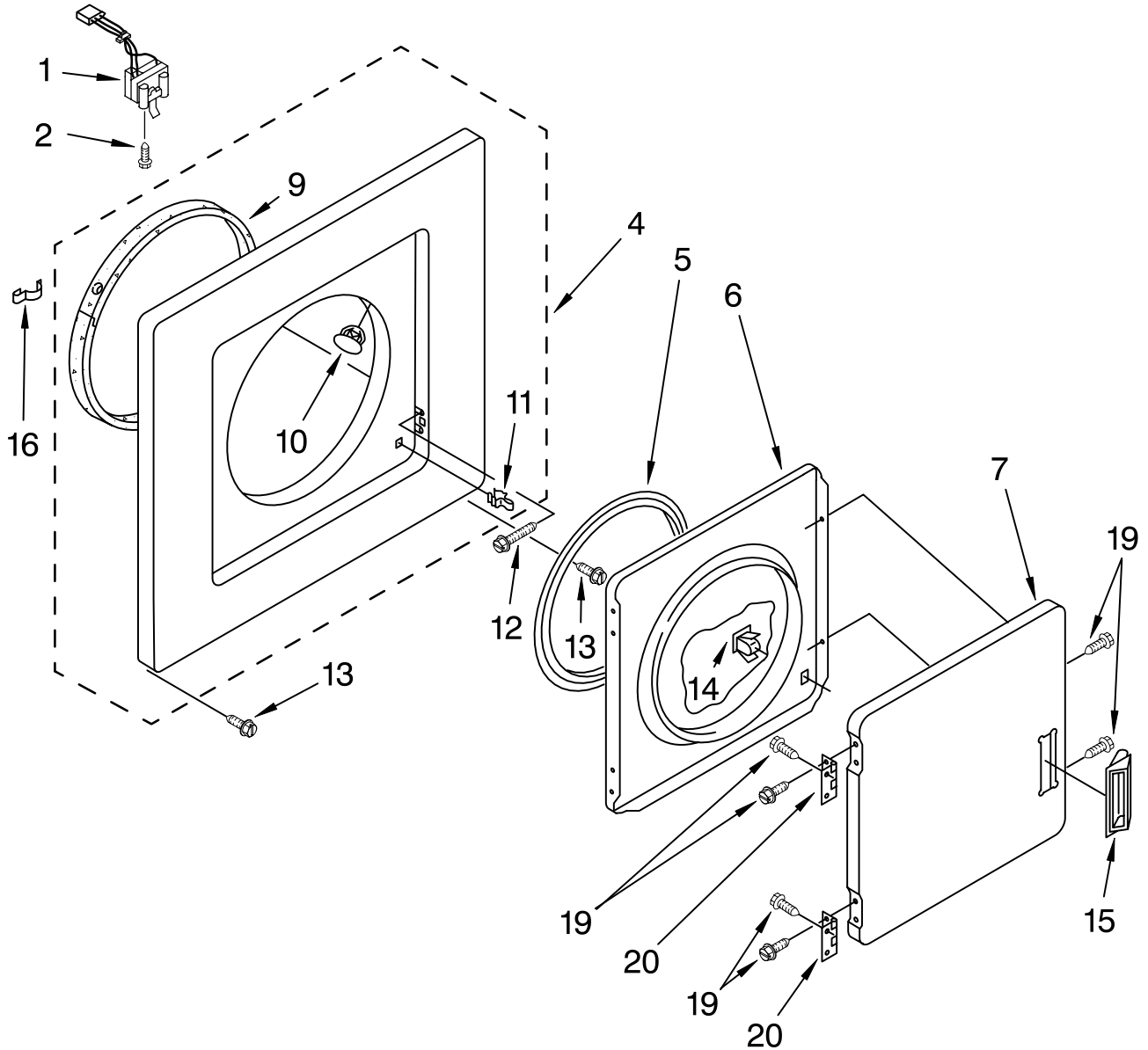
Illus. No.	Part No.	DESCRIPTION
1	LIT3405970	Literature Parts Installation Instructions
	LIT3401098	Use & Care Guide
	LIT3954147	Energy Guide
	LIT3952874	Wiring Diagram
2	3406288	Harness, Console Wiring (Automatic) (Includes Illus. 2A, 2B & 2C)
2A	3350130	Plug, Terminal (2-Way) (Connects With Main Dryer Harness)
2B	696073	Receptacle, Connector (Connects With Lower Automatic Harness)
2C	3948614	Disconnect Block (Connects With Automatic Timer)
5	3952499	Timer, Control (60 Hz.) (Automatic Washer)
6	8054285	Bracket, Control
7	692993	End Cap, Console (L.H. & R.H.)

Illus. No.	Part No.	DESCRIPTION
8	348689	Screw, End Cap Mounting (4) (8-18 x 3/4)
9	694091	Screw, Mounting (2) (8-18 x 3/8)
10	3362987	Switch, Water Level
12	8054142	Switch, Water Temperature
13	693711	Sleeve, Console Lock Screw (2)
14	693151	Spring, Console Lock (2)
15	3400860	Screw, Console Lock (2)
16	3406720	Timer, Control (60 Hz.) (Dryer) (Timer Motor Not Serviceable)
18	3395382	Switch, Push-To-Start
19	693152	Bumper, Console (5)
20	96435	Screw, Timer Mounting (2)
21	694037	Clip, Console
22	3390646	Screw, Dryer Timer Mounting (2) (8-18 x 5/16)

Illus. No.	Part No.	DESCRIPTION
23		Panel, Control
	3977194	White
	3977193	Almond
	3977195	Biscuit
24		Knob, Timer (Dryer)
	3406143	White
	3406144	Almond
	3978872	Biscuit
25		Knob, Push-To-Start
	3406133	White
	3406134	Almond
	3978871	Biscuit
27		Knob, Control (2)
	3950759	White
	3950760	Almond
	3978873	Biscuit
28		Dial, Timer (Washer)
	3950762	White
	3950763	Almond
	3978870	Biscuit
29		Knob, Timer (Washer)
	3951026	White
	3951027	Almond
	3978869	Biscuit
31	692983	Lock, Console (2)
32	694419	Buzzer

# DRYER FRONT PANEL AND DOOR PARTS

For Models:LTE5243DQ2, LTE5243DZ2, LTE5243DT2  
(Designer White) (Designer Almond) (Biscuit)

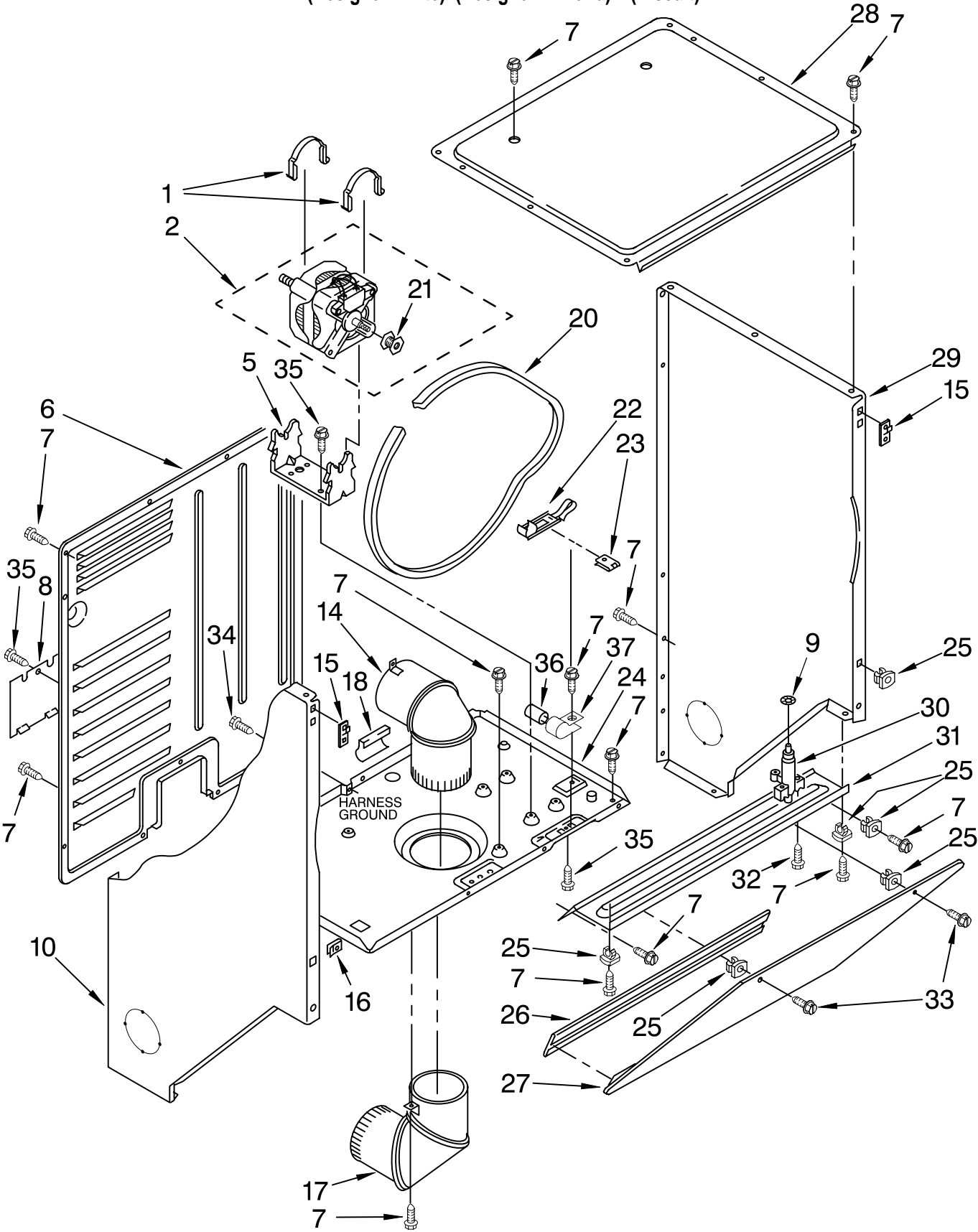


Illus. No.	Part No.	DESCRIPTION	Illus. No.	Part No.	DESCRIPTION	Illus. No.	Part No.	DESCRIPTION
1	3406108	Door Switch	9	349462	Bearing & Seal	14	3389441	Catch, Door
2	697773	Screw, 6-20 x 7/8	10	685203	Clip, Felt Pad (2)	15	686711	White
4	692619	Panel, Front White	11	696144	Strike, Panel		689308	Almond
	692620	Almond	12	3390663	Screw, Door Switch Mounting (2)		3978592	Biscuit
	3978587	Biscuit	13	343641	Screw, 10-16 x 1/2 (2) (Front Panel To Side Panel)	16	692846	Support Protector
5	3390734	Seal, Door				19	694091	Screw, Door Mount To
6	695656	Door, Rear						Hinge & Panel (10)
7	348205	Door, Front White				20	348023	Hinge & Pin, Door (2)
	689314	Almond						
	3978598	Biscuit						

FOR ORDERING INFORMATION REFER TO PARTS PRICE LIST

# DRYER CABINET AND MOTOR PARTS

For Models: LTE5243DQ2, LTE5243DZ2, LTE5243DT2  
(Designer White) (Designer Almond) (Biscuit)



FOR ORDERING INFORMATION REFER TO PARTS PRICE LIST

# DRYER CABINET AND MOTOR PARTS

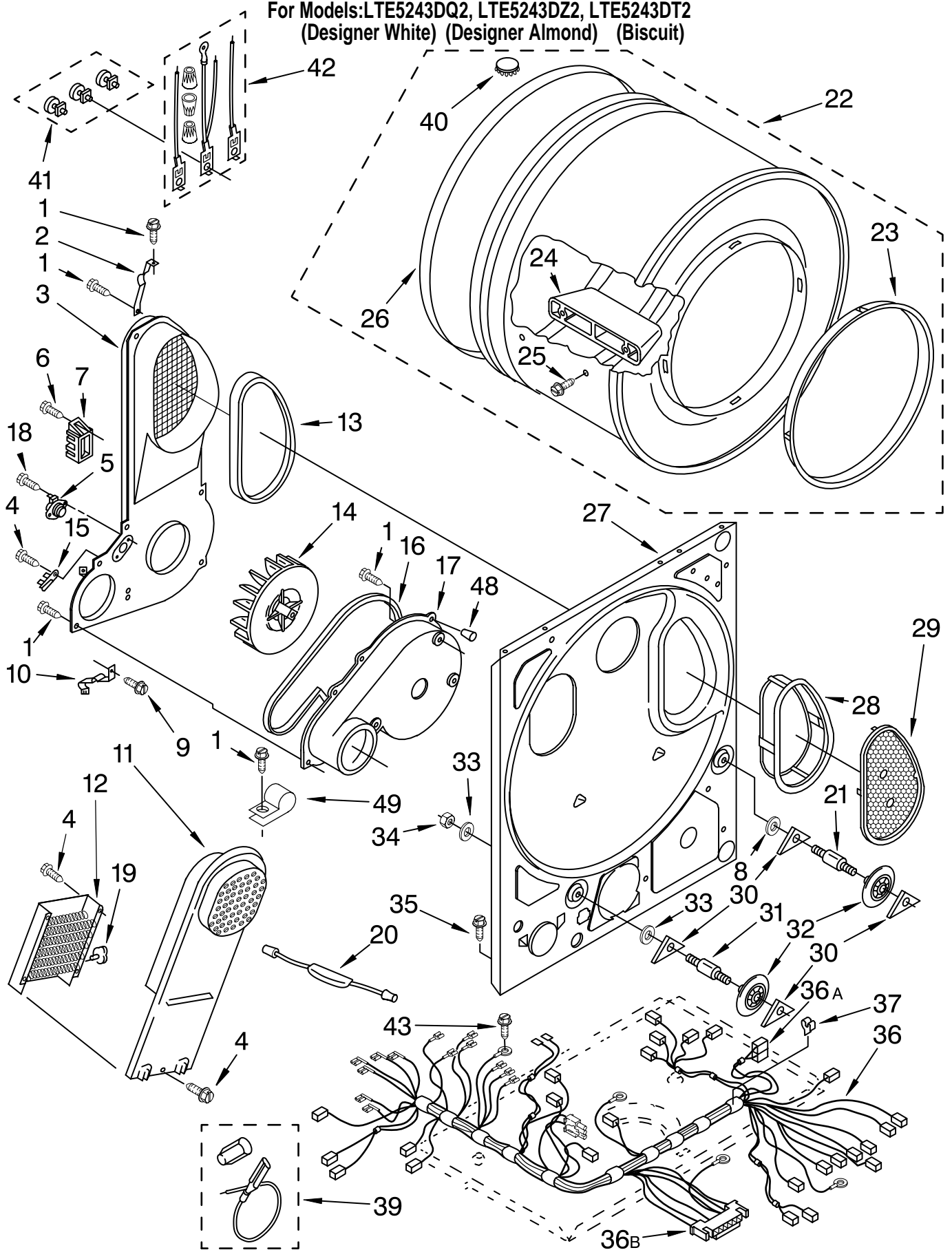
For Models:LTE5243DQ2, LTE5243DZ2, LTE5243DT2  
(Designer White) (Designer Almond) (Biscuit)

Illus. No.	Part No.	DESCRIPTION	Illus. No.	Part No.	DESCRIPTION	Illus. No.	Part No.	DESCRIPTION
1	660658	Clamp, Motor Mounting (2) 343481 (Alt.) 685441 (Alt.)	18	686770	Support, Protector	30	693145	Latch, Lid Closure, Control Area
2	8066068	Motor, Main Drive (60 Hz.)	20	8066064	Belt, Drive	31		
5	696541	Bracket, Motor	21	8066051	Pulley, Motor (60 Hz.)		692781	White
6	3390405	Panel, Rear	22	3394332	Idler & Slide Assembly		692782	Almond
7	343641	Screw, 10-16 x 1/2	23	692771	Nut, Idler Bracket To Base	32	3978599	Biscuit
8	3394228	Cover, Terminal Block	24	3399632	Base, Dryer		354975	Screw & Washer (3) (Lid Latch Mounting)
9	90296	Clip	25	692400	Nut, Push-In	33	693304	Screw & Washer (2) (Transition Panel To Closure)
10		Panel, Side (L.H.)	26	692926	Cove, Transition Panel (Black)	34	697776	Screw, Ground (10-32 x 5/8)
	3402293	White	27		Panel, Transition	35	3390631	Screw, 10-16 x 3/8
	3402294	Almond		692933	White	36	661606	Capacitor, Motor Start (Automatic Washer)
	3978589	Biscuit		692934	Almond	37	357030	Clamp, Capacitor
14	3399602	Elbow, Upper		3978591	Biscuit			
15	3394083	Clip, Front Panel (2)	28	692641	Top, Dryer			
16	98234	Clip, Ground	29		Panel, Side (R.H.)			
17	3399603	Elbow, Lower		3402287	White			
				3402288	Almond			
				3978590	Biscuit			

FOR ORDERING INFORMATION REFER TO PARTS PRICE LIST

# DRYER BULKHEAD PARTS

For Models: LTE5243DQ2, LTE5243DZ2, LTE5243DT2  
(Designer White) (Designer Almond) (Biscuit)



FOR ORDERING INFORMATION REFER TO PARTS PRICE LIST

# DRYER BULKHEAD PARTS

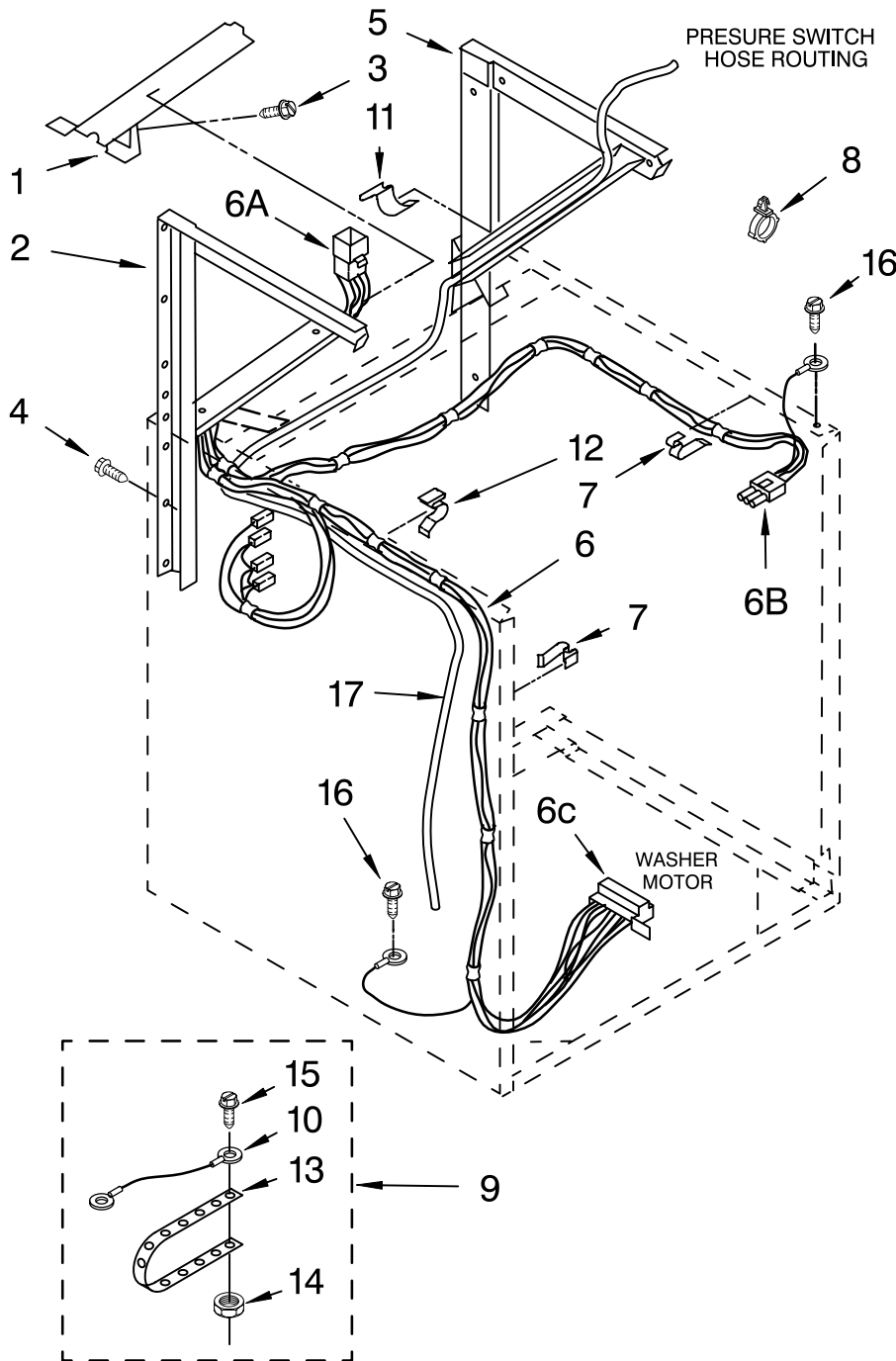
For Models:LTE5243DQ2, LTE5243DZ2, LTE5243DT2  
(Designer White) (Designer Almond) (Biscuit)

Illus. No.	Part No.	DESCRIPTION	Illus. No.	Part No.	DESCRIPTION	Illus. No.	Part No.	DESCRIPTION
1	343641	Screw, 10-16 x 1/2	19	3404154	Thermostat, Heater Box (200°F)	36A	717252	Receptacle, Terminal (2-Way) (Connects With Door Switch Harness)
2	3395396	Clip, Air Duct To Bulkhead	20	3406652	Resistor Assembly	36B	3395683	Receptacle, Multi-Terminal (Connects With Motor)(Dryer)
3	696547	Air Duct & Bracket	21	3399507	Shaft, Drum Roller (R.H.)	37	693141	Clip, Wiring Harness (3)
4	90767	Screw, 8-18 x 3/8	22	695943	Drum, Dryer	39	279457	Wire Kit (For Heater Element Wiring Harness Repair)
5	3398128	Thermostat, Internal Bias	23	3394508	Ring, Bearing	40	3977358	Drum,Hole Plug
6	3393008	Screw, Terminal Block To Bracket (2)	24	685207	Baffle, Drum (3)	41	279393	Screw Kit (For Terminal Block)
7	3397659	Block, Terminal	25	97787	Screw, Baffle Mounting (6) (11-16 x 3/4)	42	279318	Terminal, Tinned & Brass (3) (Includes Illus. 41)
8	3388703	Washer	26	345648	Seal, Drum Rear	43	697776	Screw, Ground (2) (10-32 x 5/8)
9	489463	Screw, 8-18 x 5/8	27	695931	Bulkhead	48	359702	Cap, Screw
10	3398161	Clip, Heater Box To Bulkhead	28	348399	Lint Screen	49	255563	Clip, Strain Relief
11	3401380	Heater Box	29	685273	Cover, Lint Screen Outlet			
12	3403586	Element, Heater	30	690997	Tri-Ring (4)			
13	339956	Seal, Air Duct To Bulkhead	31	3399506	Shaft, Drum Roller (L.H.)			
14	696426	Wheel, Blower	32	3397588	Roller, Support (2)			
15	3399849	Fuse, Thermal	33	348197	Washer, Support (4)			
16	8066094	Seal, Fan Scroll	34	3359452	Nut, 3/8-16 (2)			
17	696418	Fan Scroll	35	3390631	Screw, 10-16 x 3/8			
18	3390647	Screw, 8-18 x 1/2	36	3406941	Harness, Main Dryer Wiring (Includes Nos.36A, 36B)			

FOR ORDERING INFORMATION REFER TO PARTS PRICE LIST

# DRYER SUPPORT AND WASHER PARTS

For Models: LTE5243DQ2, LTE5243DZ2, LTE5243DT2  
(Designer White) (Designer Almond) (Biscuit)

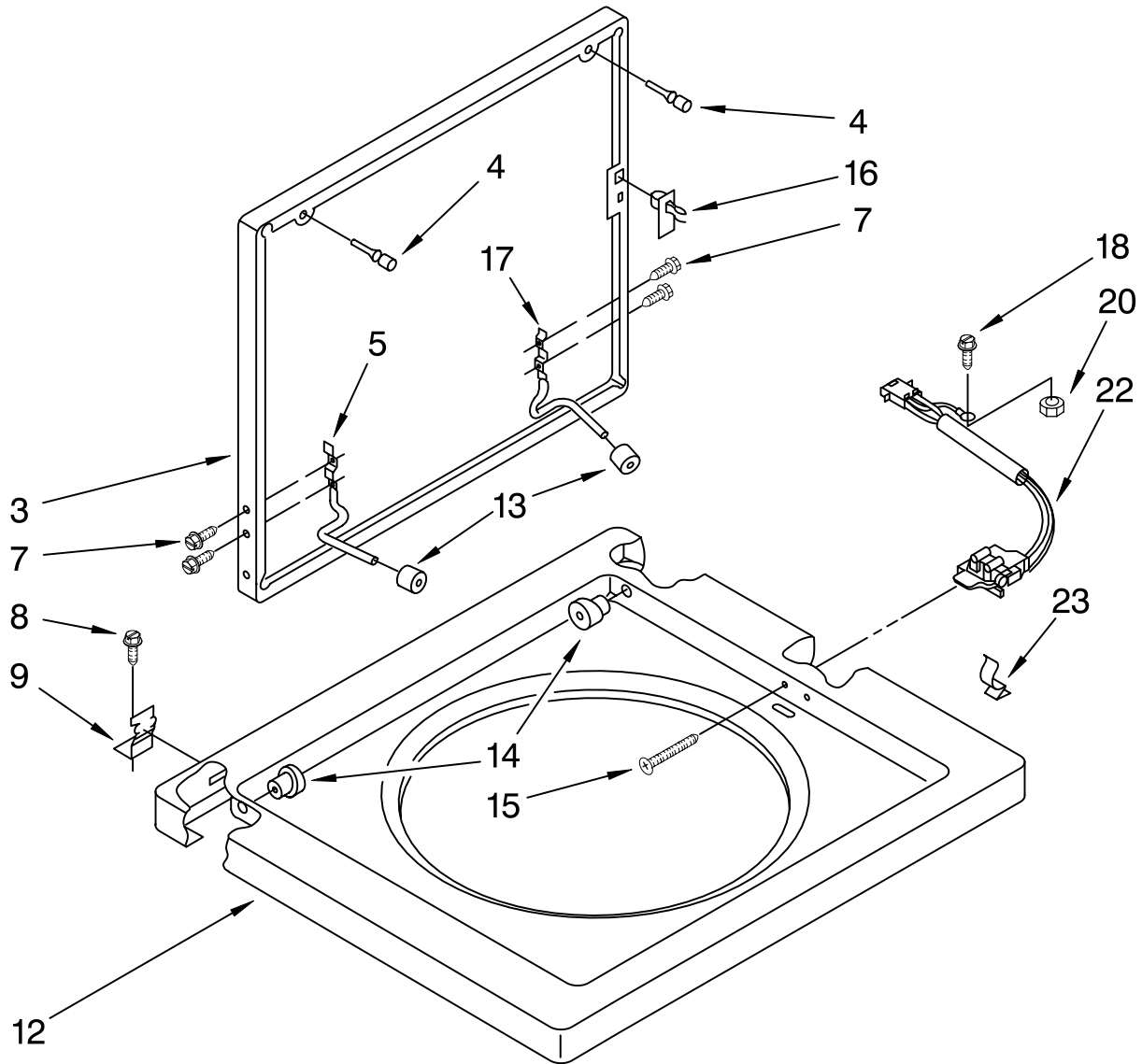


Illus. No.	Part No.	DESCRIPTION
1	694304	Cover, Channel
2	692647	Support, Dryer (L.H.)
3	343641	Screw, 10-16 x 1/2
4	3400000	Screw, 10-24 x 3/8 (8) (Washer Cabinet To Dryer Supports)
5	692646	Support, Dryer (R.H.)
6	3954108	Harness, Lower (Automatic) (Includes Illus. 6A, 6B & 6C)
6A	696074	Plug, Terminal (12-Way) (Connects With Automatic Console Harness)
6B	62889	Plug, Terminal (3-Way) (Connects With Automatic Lid Switch Harness)
6C	62505	Block, Disconnect (Connects With Automatic Washer Motor)
7	3347812	Clip, Wiring Harness (4)
8	3405028	Clip
9	685463	Kit, Grounding
10	685449	Wire, Ground
11	90016	Clip, Pressure Switch Hose (2)
12	693141	Clip, Harness And Hose
13	22965	Strap, Ground
14	3400902	Nut, Hex
15	3400036	Screw, 10-24 x 1
16	3351614	Screw, 10-24 x 3/8
17	8066080	Hose, Pressure Switch

FOR ORDERING INFORMATION REFER TO PARTS PRICE LIST

# WASHER TOP AND LID PARTS

For Models: LTE5243DQ2, LTE5243DZ2, LTE5243DT2  
(Designer White) (Designer Almond) (Biscuit)



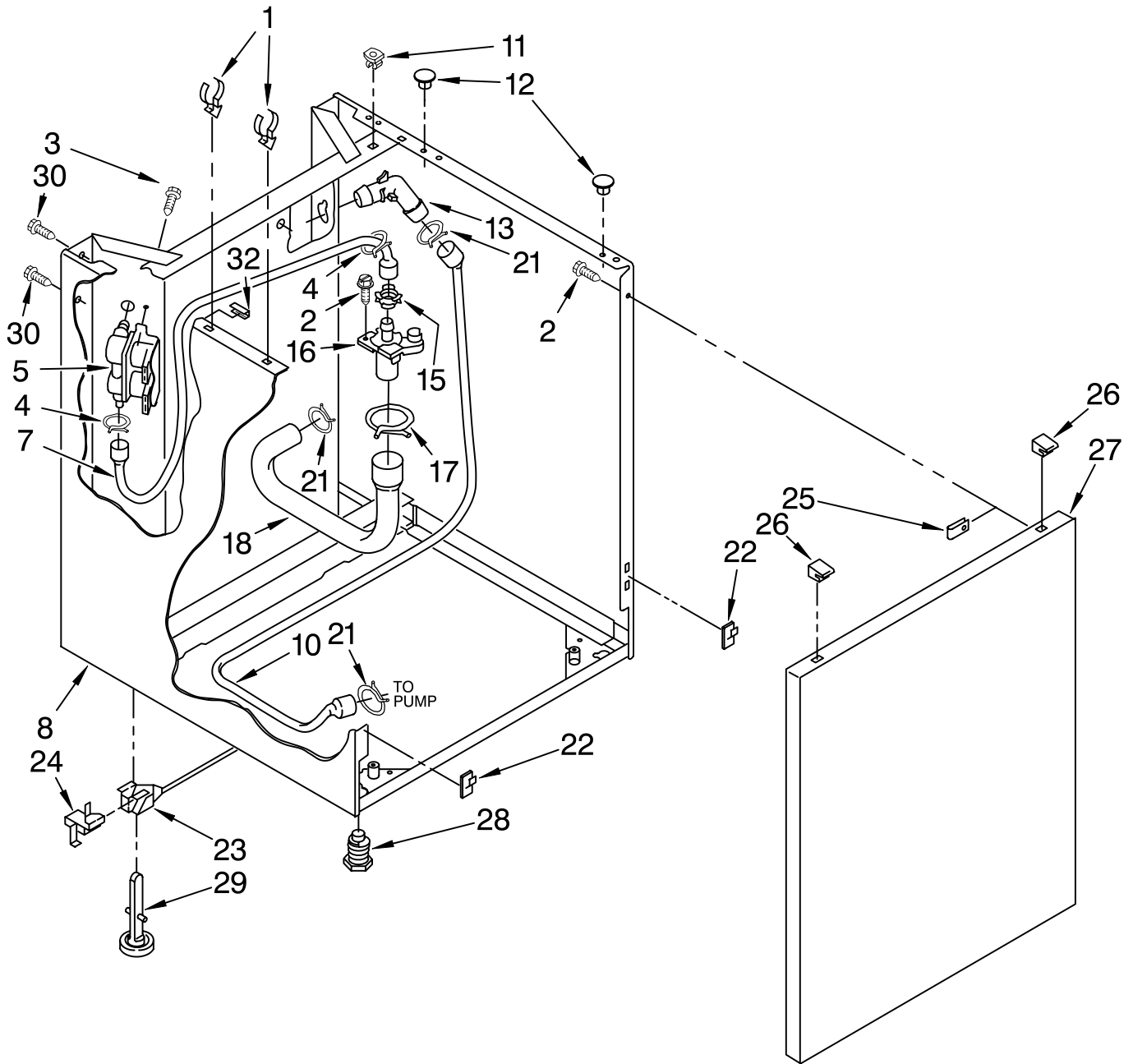
Illus. No.	Part No.	DESCRIPTION	Illus. No.	Part No.	DESCRIPTION	Illus. No.	Part No.	DESCRIPTION
3	3398843	Lid White	12	384693	Top White	16	358684	Strike, Lid Switch
	3398844	Almond		384694	Almond	17	384459	Hinge, Lid (R.H.)
	3398847	Biscuit	13	3978593	Biscuit	18	3400030	Screw, Ground (10-24 x 1/2)
4	384475	Bumper, Lid (2)		19119	Bumper, Lid Hinge (2)	20	3400901	Nut, Ground Screw (10-24)
5	384458	Hinge, Lid (L.H.)	14	21258	Bearing, Lid Hinge (2)	22	3355806	Switch, Lid
7	3351355	Screw, Lid Hinge Mounting (4)	15	3356311	Screw & Washer, Lid Switch Shield (2)	23	90016	Clip, Harness Routing
8	343641	Screw, 10-16 x 1/2						
9	692985	Clip, Spring (2) (Top To Cabinet)						

FOR ORDERING INFORMATION REFER TO PARTS PRICE LIST



# WASHER CABINET PARTS

For Models: LTE5243DQ2, LTE5243DZ2, LTE5243DT2  
(Designer White) (Designer Almond) (Biscuit)



FOR ORDERING INFORMATION REFER TO PARTS PRICE LIST

# WASHER CABINET PARTS

For Models:LTE5243DQ2, LTE5243DZ2, LTE5243DT2  
(Designer White) (Designer Almond) (Biscuit)

Illus. No.	Part No.	DESCRIPTION
1	356746	Clip, Condenser
2	343641	Screw, 10-16 x 1/2
3	62863	Screw, Mixing Valve Mounting (2) (10-16 x 3/8)
4	370451	Clamp, Hose
5	3360389	Valve, Water Mixing
7	692699	Hose, Water Inlet (Siphon Break To Mixing Valve)
8		Cabinet
	696013	White
	696014	Almond
	3978594	Biscuit
10	696710	Hose, Drain
11	692400	Nut, Push-In (2)
12	660975	Plug, Top To Cabinet
		689587 (Alt.)
		694010 (Alt.)
13	356739	Connector, Hose
15	356471	Cap, Siphon Break
16	356363	Siphon Break
17	272861	Clamp, Hose
18	696394	Hose, Water Inlet (Siphon Break To Tub Ring)
21	660628	Clamp, Hose
22	3394083	Clip, Front Panel (2)
23	358652	Link, Leveling
24	359364	Clip, Leveling Mechanism (2)
25	98234	Clip, Ground
26	345670	Lock, Top (2)
27		Panel, Front
	692628	White
	692629	Almond
	3978596	Biscuit
28	367594	Foot, Front (2)
29	358594	Foot, Rear (2)
30	3400000	Screw, 10-24 x 3/8 (Washer Cabinet To Dryer Supports)
32	3390046	Protector, Edge

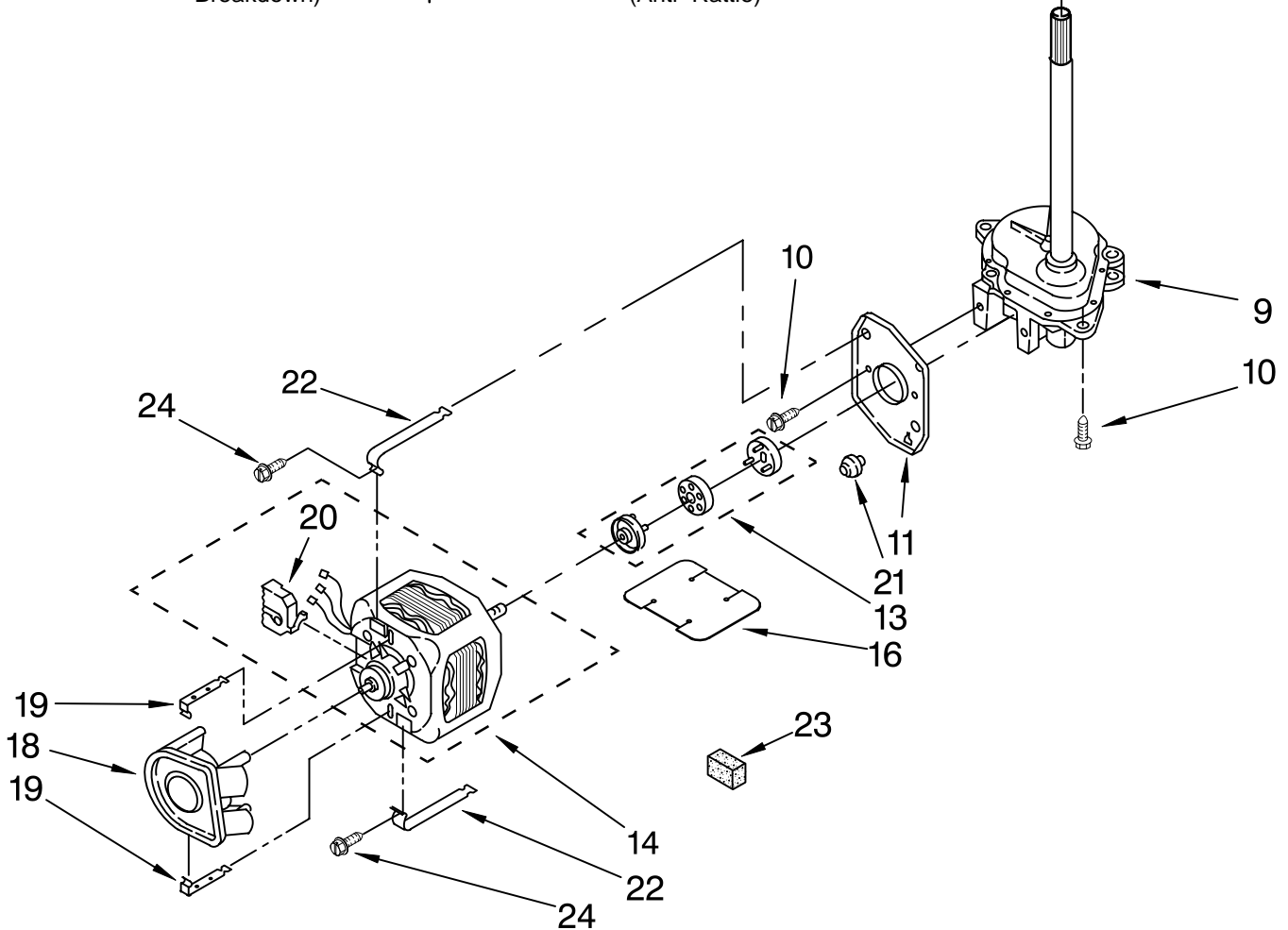
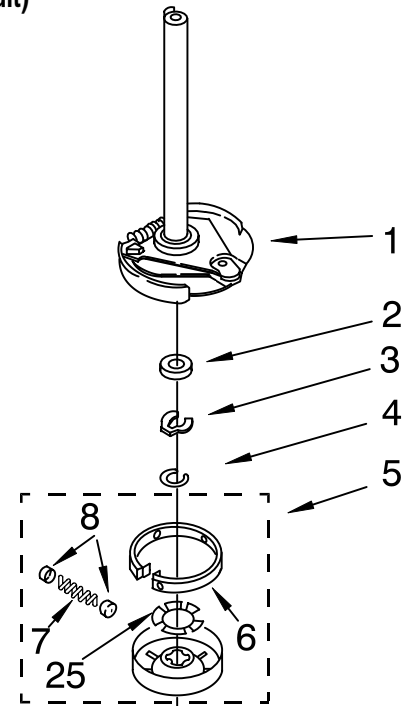
FOR ORDERING INFORMATION REFER TO PARTS PRICE LIST

# BRAKE, CLUTCH, GEARCASE, MOTOR AND PUMP PARTS

For Models:LTE5243DQ2, LTE5243DZ2, LTE5243DT2  
(Designer White) (Designer Almond) (Biscuit)

Illus. No.	Part No.	DESCRIPTION
1	387948	Brake And Drive Tube (Complete) (Refer To Page 16 For Further Breakdown)
2	63292	Washer, Spin Tube Thrust
3	62697	Ring, Spin Tube Support
4	63283	Ring, Retainer
5	3951312	Clutch (Complete)
6	3951308	Band And Lining (Includes Illus. 7 & 8)
7	3946846	Spring, Clutch
8	62646	Cap, Clutch Spring (2)
9	3360630	Gearcase (Complete)(Refer To Page 15 For Further Breakdown)

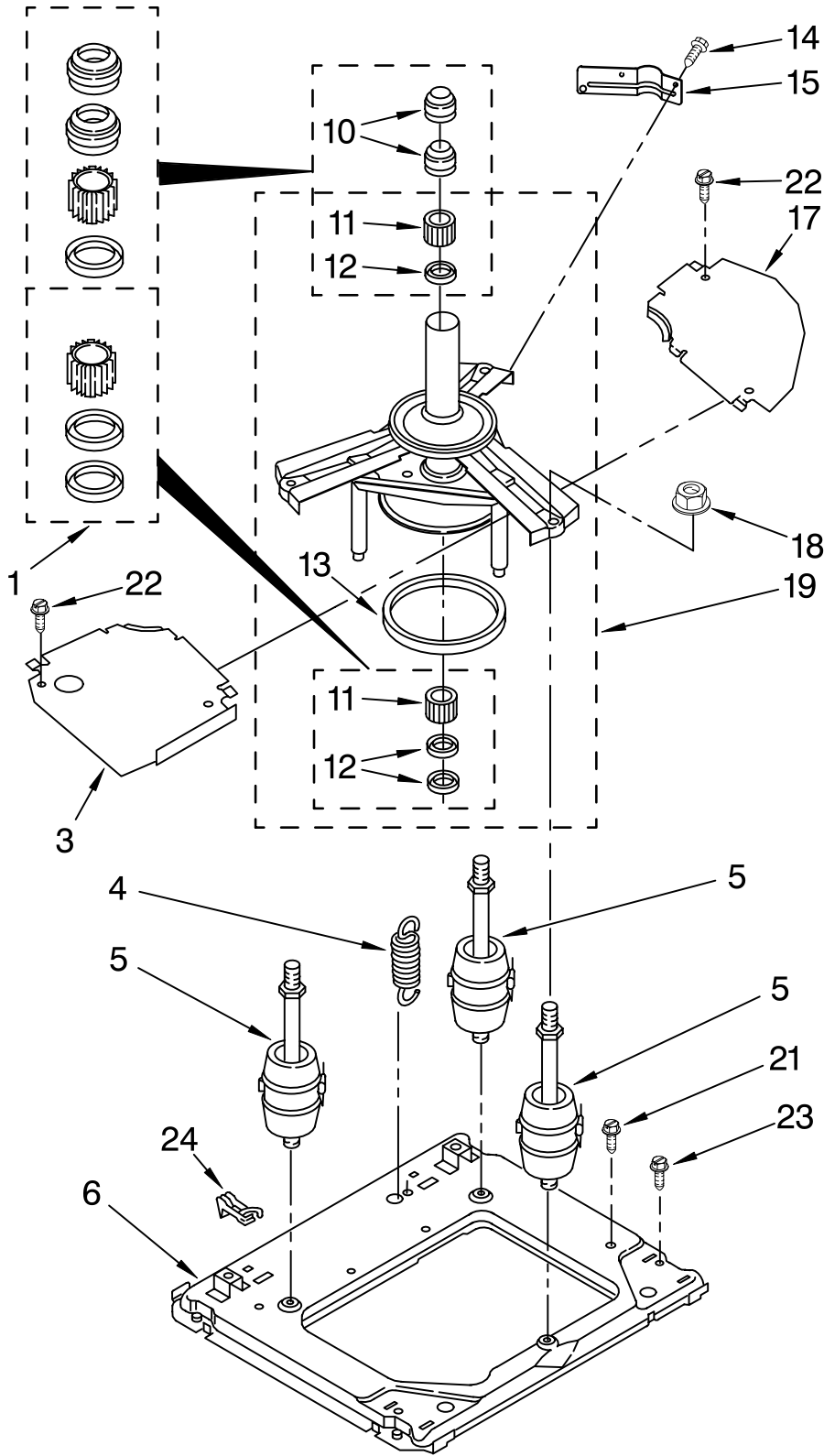
Illus. No.	Part No.	DESCRIPTION
10	3357334	Screw, (3) (Gearcase To Tub Support)
11	62611	Plate, Motor Mount To Gearcase
13	3364003	Coupling, Motor & Isolating
14	661600	Motor, Main Drive
16	3946532	Plate, Motor
18	3363394	Pump, Complete
19	62700	Retainer, Pump
20	62850	Switch, Main Drive Motor
21	62691	Grommet, Motor (4)
22	3349637	Retainer, Motor (2)
23	3350013	Foam
24	3387485	Screw, 10-16 x 5/8
25	3355454	Clip (Anti-Rattle)



FOR ORDERING INFORMATION REFER TO PARTS PRICE LIST

# MACHINE BASE PARTS

For Models: LTE5243DQ2, LTE5243DZ2, LTE5243DT2  
(Designer White) (Designer Almond) (Biscuit)

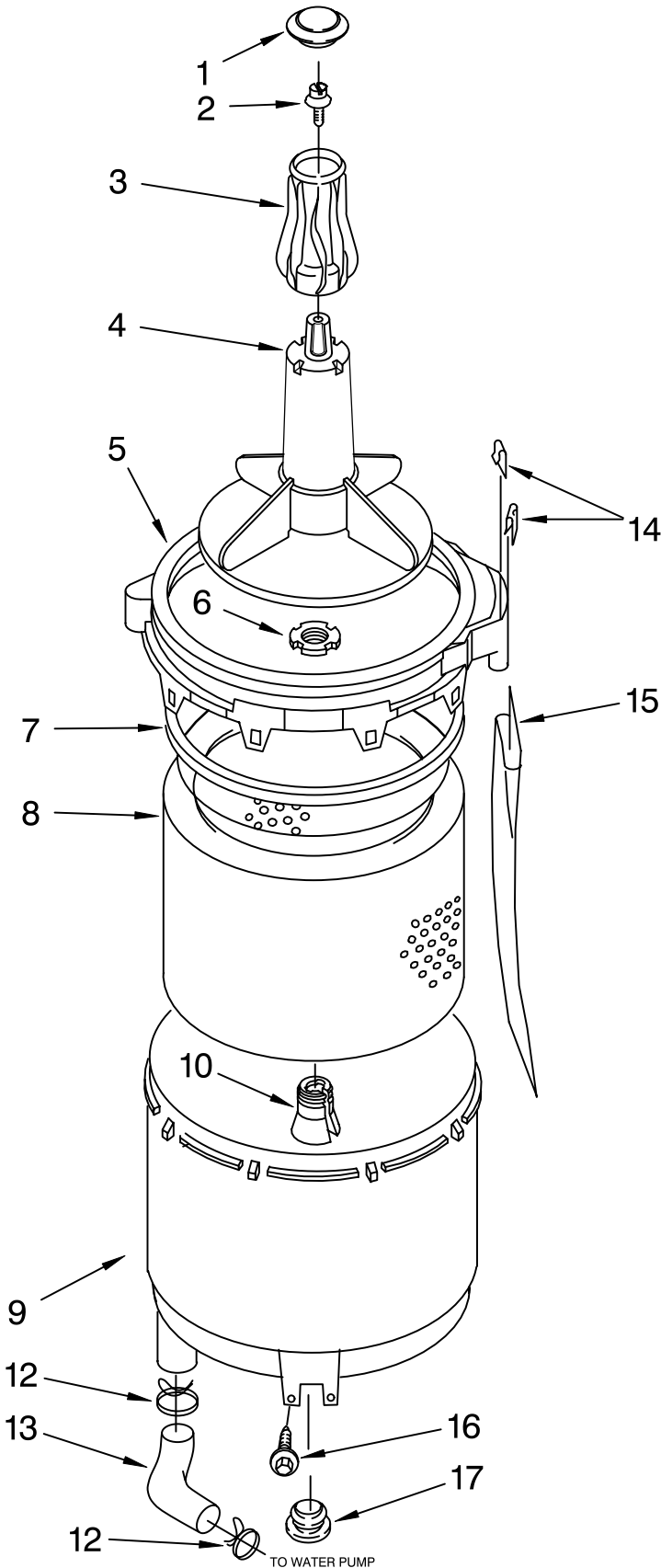


Illus. No.	Part No.	DESCRIPTION
1	285203	Centerpost Bearing Kit (Incls. Illus. 10, 11, & 12)
3	64137	Shield, Tub
4	388492	Spring, Counterweight
5	3406201	Suspension Assembly (3)
6	63755	Base
10	356934	Seal, Centerpost (2)
11	3347047	Bearing, Centerpost (2)
12	357409	Seal, Centerpost (3)
13	63134	Ring, Sound Deadening
14	3400076	Screw, 10-32 x 5/8
15	63636	Bracket, Counterweight Spring
17	63637	Shield, Tub
18	3351021	Nut, 1/2 - 13 (3)
19	63740	Tub Support and Drum
21	64247	Screw, 10-16 x 1/2
22	90767	Screw, 8-18 x 3/8
23	386011	Screw & Washer (Base To Cabinet)
24	696044	Block, Restraint (2)

FOR ORDERING INFORMATION REFER TO PARTS PRICE LIST

# TUB AND BASKET PARTS

For Models: LTE5243DQ2, LTE5243DZ2, LTE5243DT2  
(Designer White) (Designer Almond) (Biscuit)

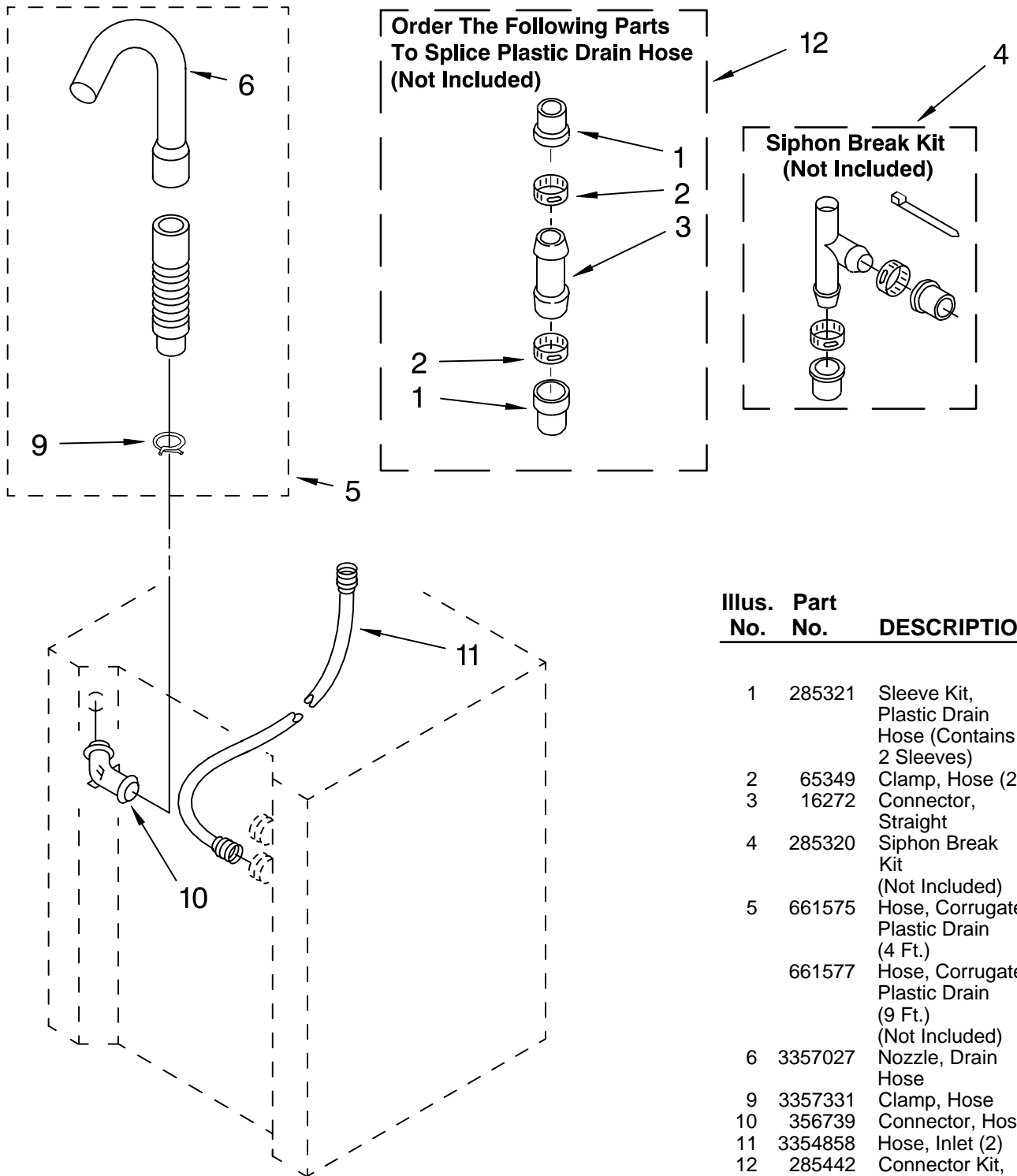


Illus. No.	Part No.	DESCRIPTION
1	3355758	Cap, Agitator
2	358237	Screw & Washer (5/16-24 x 1)
3	63840	Filter, Agitator
4	3349098	Agitator
5	64175	Tub Ring & Gasket (Includes Illus. 7, 14 & 15)
6	21366	Nut, Spanner
7	3359587	Gasket, Tub Ring
8	3351985	Basket
9	8066081	Tub
10	389140	Block, Basket Drive
12	371502	Clamp, Hose
13	386929	Hose, Tub To Pump
14	352155	Clip, Retaining (2)
15	356398	Tube, Drain Off
16	357640	Screw & Washer (Tub Mounting) (4)
17	383727	Gasket, Centerpost

FOR ORDERING INFORMATION REFER TO PARTS PRICE LIST

# WASHER WATER SYSTEM PARTS

For Models: LTE5243DQ2, LTE5243DZ2, LTE5243DT2  
(Designer White) (Designer Almond) (Biscuit)



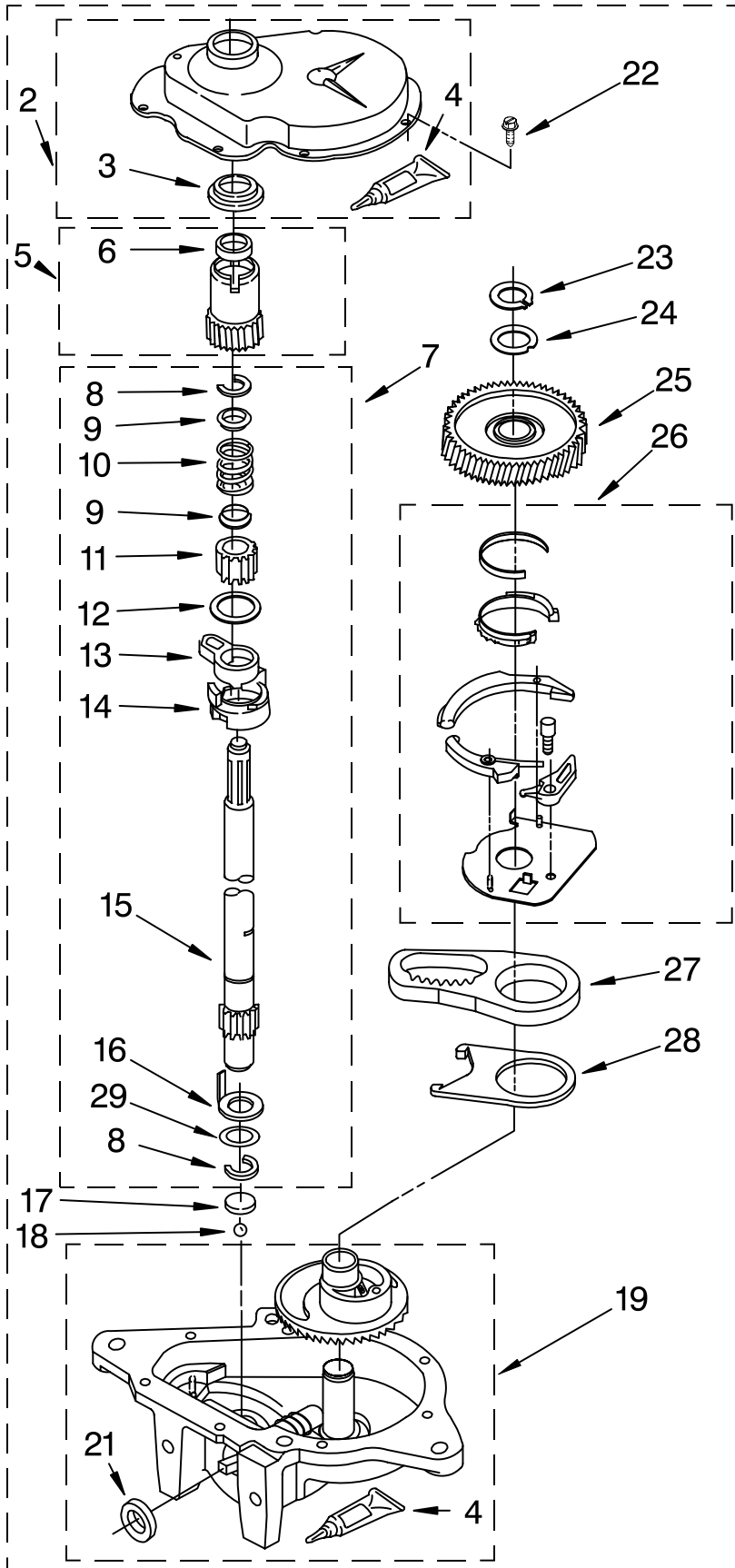
Illus. No.	Part No.	DESCRIPTION
1	285321	Sleeve Kit, Plastic Drain Hose (Contains 2 Sleeves)
2	65349	Clamp, Hose (2)
3	16272	Connector, Straight
4	285320	Siphon Break Kit (Not Included)
5	661575	Hose, Corrugated Plastic Drain (4 Ft.)
	661577	Hose, Corrugated Plastic Drain (9 Ft.) (Not Included)
6	3357027	Nozzle, Drain Hose
9	3357331	Clamp, Hose
10	356739	Connector, Hose
11	3354858	Hose, Inlet (2)
12	285442	Connector Kit, Plastic Drain Hose

WS900B

FOR ORDERING INFORMATION REFER TO PARTS PRICE LIST

# GEARCASE PARTS

For Models: LTE5243DQ2, LTE5243DZ2, LTE5243DT2  
(Designer White) (Designer Almond) (Biscuit)



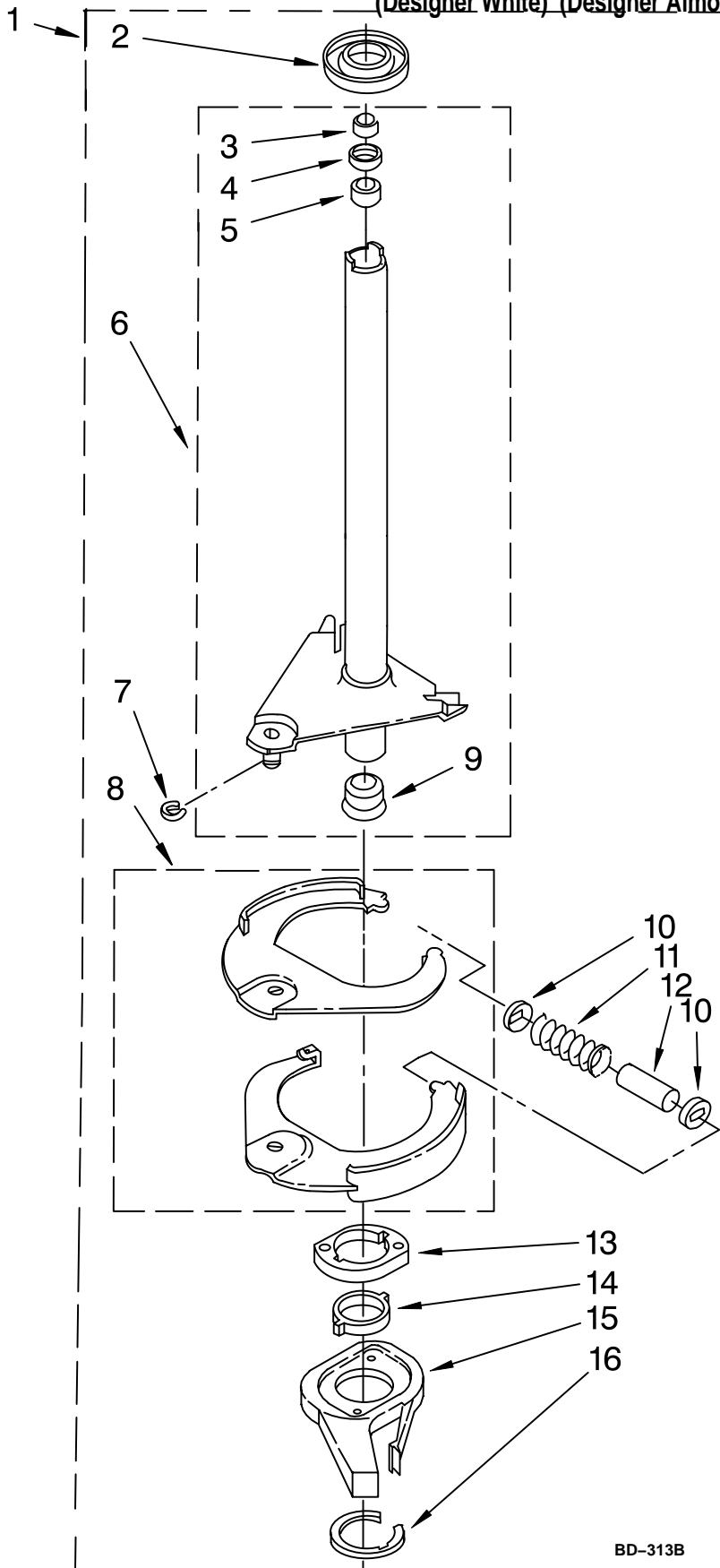
Illus. No.	Part No.	DESCRIPTION
1	3360630	Gearcase (Complete)
2	285202	Cover, Gearcase
3	3349985	Seal, Gearcase Cover
4	285195	Sealer, Gasket (.20 Fl. Oz.) (6 ml)
5	63320	Pinion, Spin (Includes Illus. 25)
6	356427	Seal, Spin Pinion
7	389387	Shaft, Agitator (Complete)
8	90369	Ring, Retaining (2)
9	62677	Retainer, Spring
10	62676	Spring, Agitate
11	63273	Gear, Agitate (Includes 15 and 29)
12	62619	Washer, Agitate Gear
13	62580	Cam Follower (Includes 14)
14	62581	Cam, Agitate (Includes 13)
15	285509	Shaft, Agitator (Includes 11 and 29)
16	62618	Washer, Cam Thrust
17	16018	Bearing, Thrust
18	85529	Ball, Bearing
19	389230	Bottom and Pinion, Gearcase
21	285352	Seal, Thrust Plug
22	3351614	Screw, Gearcase Cover, Mounting (8) (10-24 x 3/8)
23	3362552	Ring, Retaining
24	285735	Washer Kit, Thrust
25	62570	Gear, Spin
26	388253	Neutral Assembly
27	3349296	Rack, Connecting
28	62621	Actuator, Shift
29	388815	Washer, Intermediate

GC-215C

FOR ORDERING INFORMATION REFER TO PARTS PRICE LIST

# BRAKE AND DRIVE TUBE PARTS

For Models: LTE5243DQ2, LTE5243DZ2, LTE5243DT2  
(Designer White) (Designer Almond) (Biscuit)



Illus. No.	Part No.	DESCRIPTION
1	387948	Brake And Drive Tube (Complete)
2	62658	Ring, Thrust
3	91939	Seal, Oil
4	356427	Seal, Drive Tube
5	356937	Spacer, Drive Tube
6	64027	Tube, Basket Drive (Includes Illus. 3, 4, 5 & 9)
7	64035	Ring, Retaining
8	64232	Brake Shoe
9	62703	"T" Bearing, Spin Tube
10	62648	Cap, Brake Spring (2)
11	63748	Spring, Brake
12	62909	Sleeve, Brake Spring
13	661516	Cam, Brake Release 63023 (Alt.) 3348288 (Alt.)
14	63022	Sleeve, Cam
15	64194	Driver, Brake Cam
16	90368	Ring, Retaining

BD-313B

BD-313B

FOR ORDERING INFORMATION REFER TO PARTS PRICE LIST

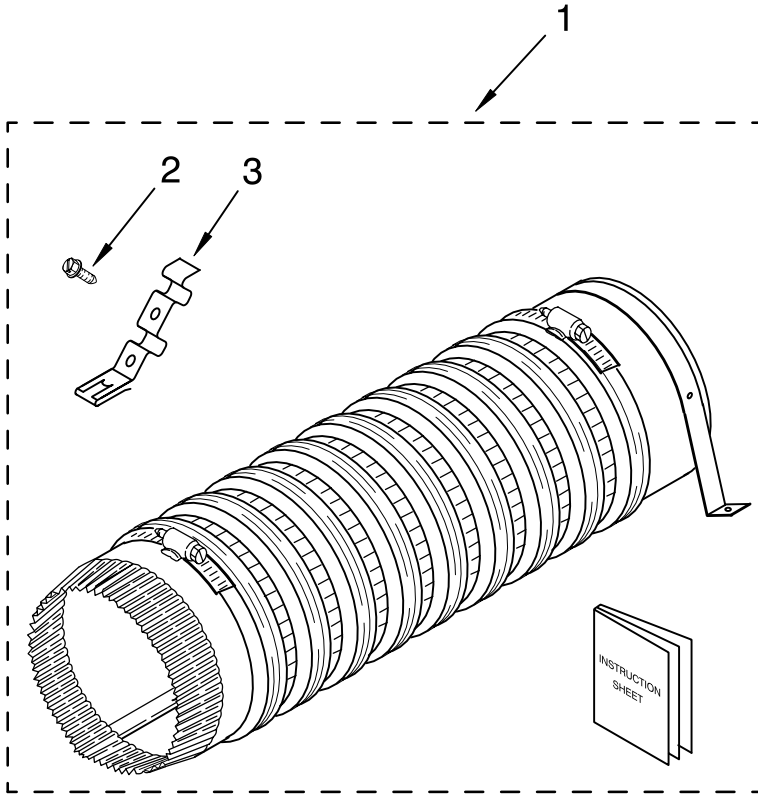


# SALES ACCESSORY PARTS

For Models:LTE5243DQ2, LTE5243DZ2, LTE5243DT2  
(Designer White) (Designer Almond) (Biscuit)

<u>Illus.</u> <u>No.</u>	<u>Part</u> <u>No.</u>	<u>DESCRIPTION</u>
-----------------------------	---------------------------	--------------------

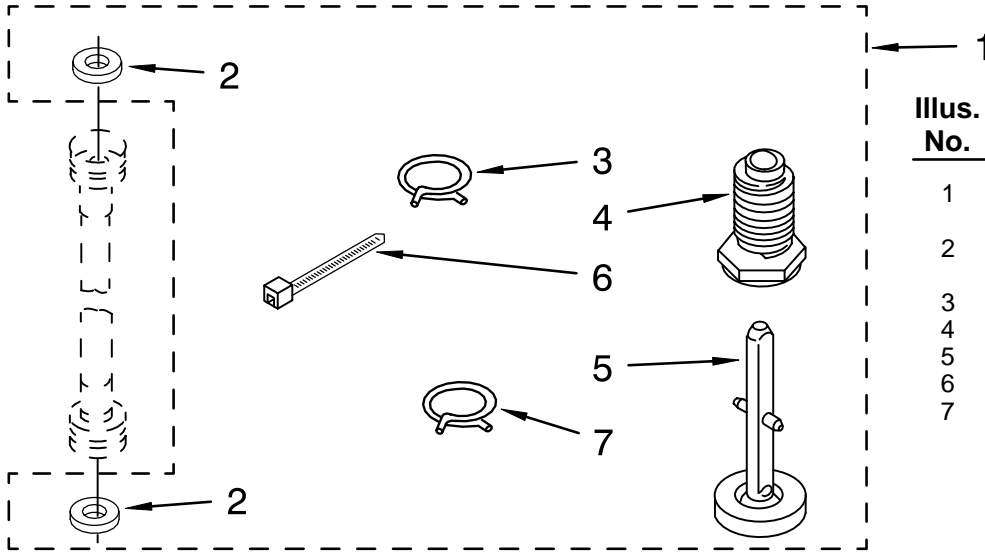
1	279823	Side Exhaust Extension Kit (Complete)
2	488729	Screw,
3	3395536	Clip



FOR ORDERING INFORMATION REFER TO PARTS PRICE LIST

# MISCELLANEOUS PARTS

For Models:LTE5243DQ2, LTE5243DZ2, LTE5243DT2  
(Designer White) (Designer Almond) (Biscuit)



Illus. No.	Part No.	DESCRIPTION
1	3359934	Miscellaneous Parts Bag
2	16123	Washer, Inlet Hose (4)
3	370445	Clamp, Hose
4	367594	Foot, Front (2)
5	358594	Foot, Rear (2)
6	3347869	Tie, Cable
7	3357331	Clamp, Hose (Upper Drain)

## OPTIONAL PARTS (NOT INCLUDED)

Illus. No.	Part No.	DESCRIPTION
------------	----------	-------------

### PAINT, TOUCH-UP (1/2oz.)

72017 White  
72107 Almond  
4392899 Biscuit

### PAINT, PRESSURIZED SPRAY (12 oz.)

350941 Leveler (Thinner)  
350938 Primer, Gray  
350930 White  
350956 Almond  
4392901 Biscuit

Illus. No.	Part No.	DESCRIPTION
------------	----------	-------------

### PAINT, BULK (1 qt.)

799344 White (Uncut)  
978883 Almond (Uncut)  
4392900 Biscuit (Uncut)

### OIL

350572 Oil, Gearcase (16 Oz.)

Illus. No.	Part No.	DESCRIPTION
------------	----------	-------------

### LUBRICANT

285208 Lubricant (Use Only in Brake Shoe Assembly On Roller and Pin)

### SEALER

285195 Sealer, Gasket (.20 Fl. Oz.) (6 ml)

FOR ORDERING INFORMATION REFER TO PARTS PRICE LIST