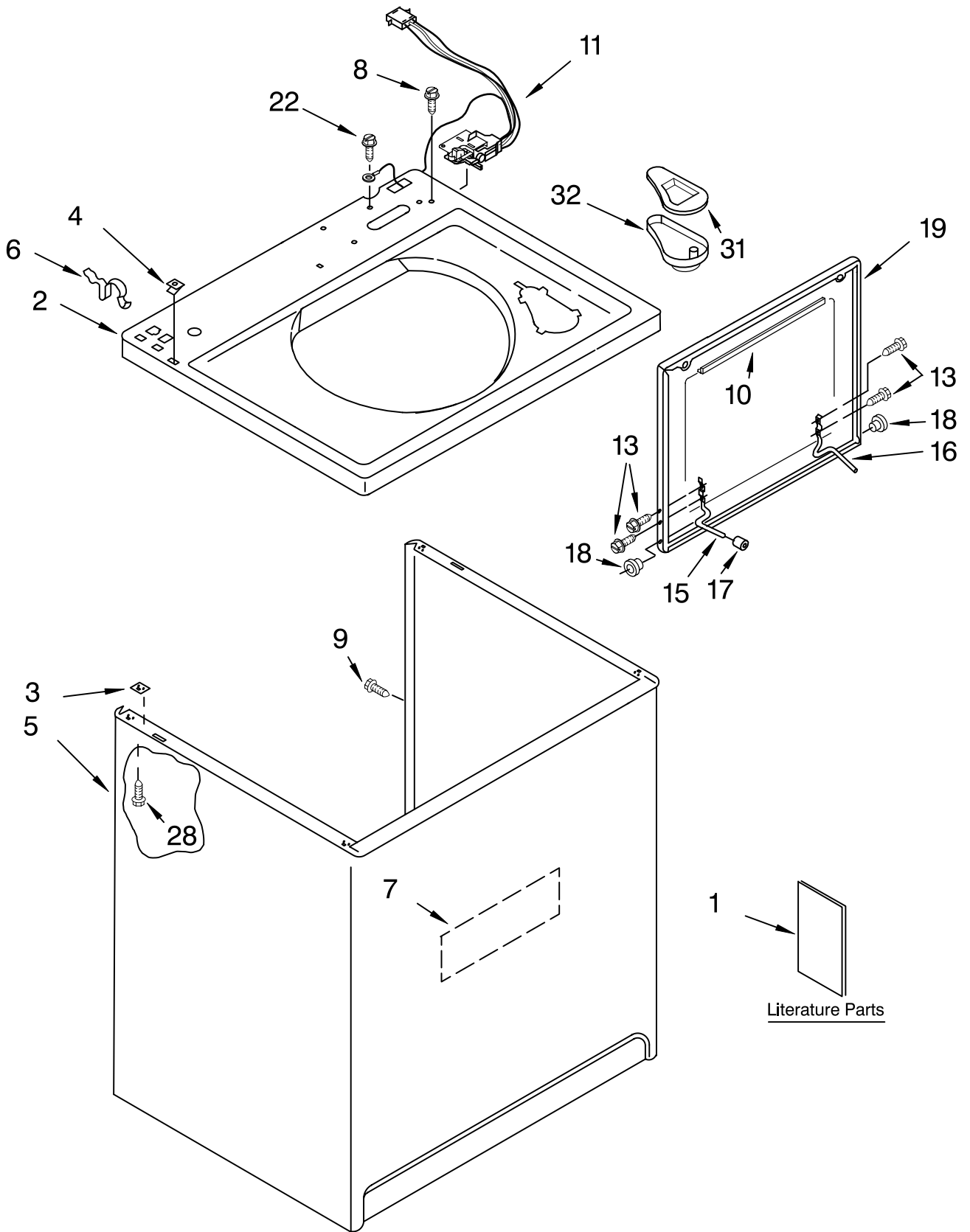




# TOP AND CABINET PARTS

For Models: LSN2000LW0, LSN2000LG0  
(White/Grey) (Biscuit/Gold)

AUTOMATIC  
WASHER



FOR ORDERING INFORMATION REFER TO PARTS PRICE LIST

# TOP AND CABINET PARTS

For Models: LSN2000LW0, LSN2000LG0  
(White/Grey) (Biscuit/Gold)

Illus. No.	Part No.	DESCRIPTION
1		Literature Parts
	LIT3956025	Installation Instructions
	LIT3955869	Use & Care Guide
	LIT3955559	Energy Guide
	LIT3955767	Wiring Diagram

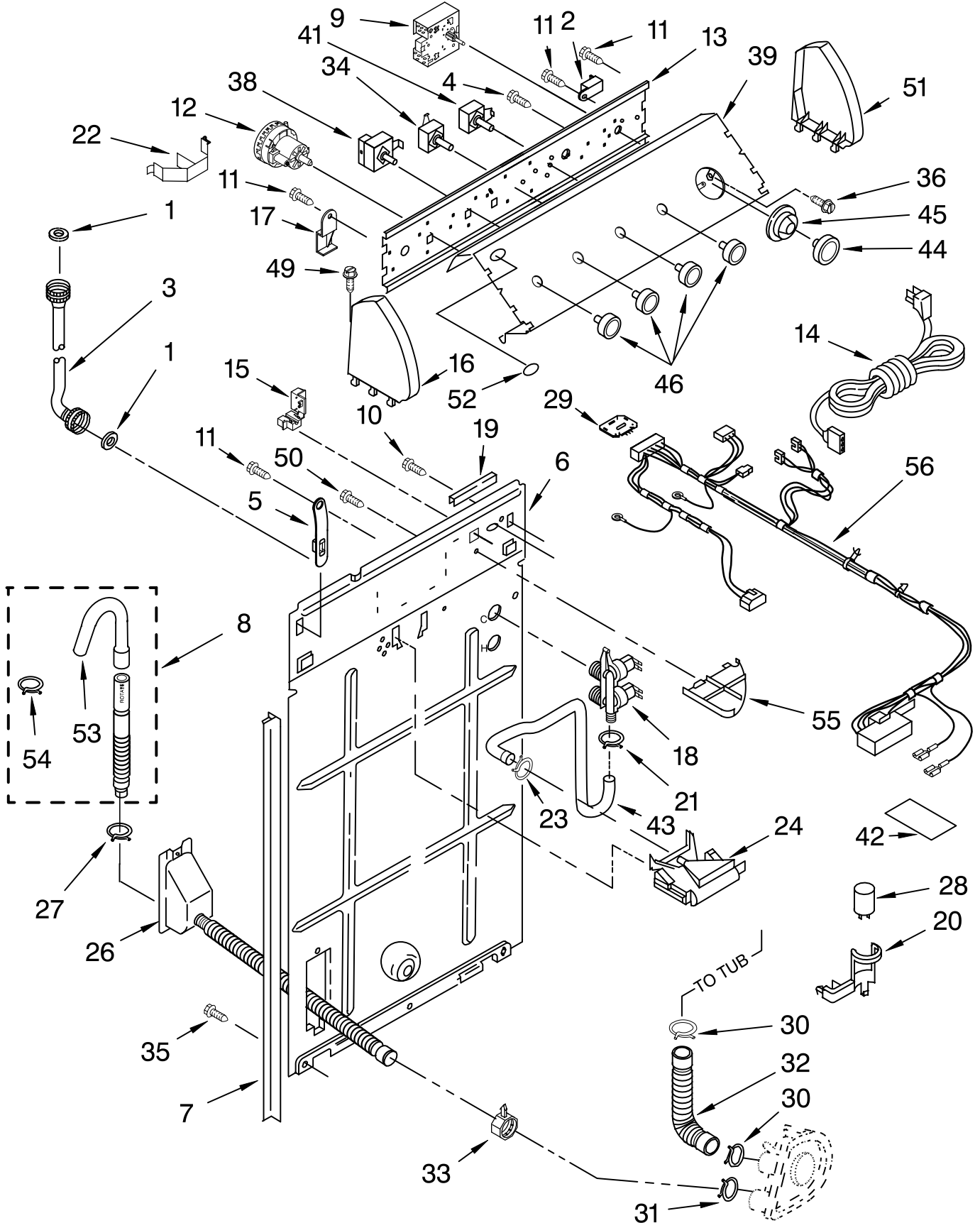
## Following May Be Purchased

### DO-IT-YOURSELF REPAIR MANUALS

	LIT4313896	Manual, Washer
2		Top
	3955792	White
	3955793	Biscuit
3	62750	Spacer, Cabinet To Top (4)
4	357213	Nut, Push-In (2)
5		Cabinet
	63424	White
	3954357	Biscuit
6	62780	Clip, Top & Cabinet & Rear Panel (2)
7	3976348	Cabinet-Sound Damper
8	3400611	Screw Lid Switch (2)
9	3357011	Screw, 10-16 x 1/2
10	8054939	Seal, Lid
11	8054980	Switch, Lid
13	355274	Screw, Lid Hinge Mounting (4)
15	8055257	Hinge, Lid (L.H.)
16	8055256	Hinge, Lid (R.H.)
17	19119	Bumper, Lid Hinge
18	8319539	Bearing, Lid Hinge (2)
19		Lid
	3956016	White
	3956017	Biscuit
22	3351614	Screw, Ground
28	3390631	Screw, 10-16 x 3/8 (4)
31	3955788	Cover, Dispenser
32	8519517	Dispenser, Bleach

# CONTROLS AND REAR PANEL PARTS

For Models: LSN2000LW0, LSN2000LG0  
(White/Grey) (Biscuit/Gold)



FOR ORDERING INFORMATION REFER TO PARTS PRICE LIST

# CONTROLS AND REAR PANEL PARTS

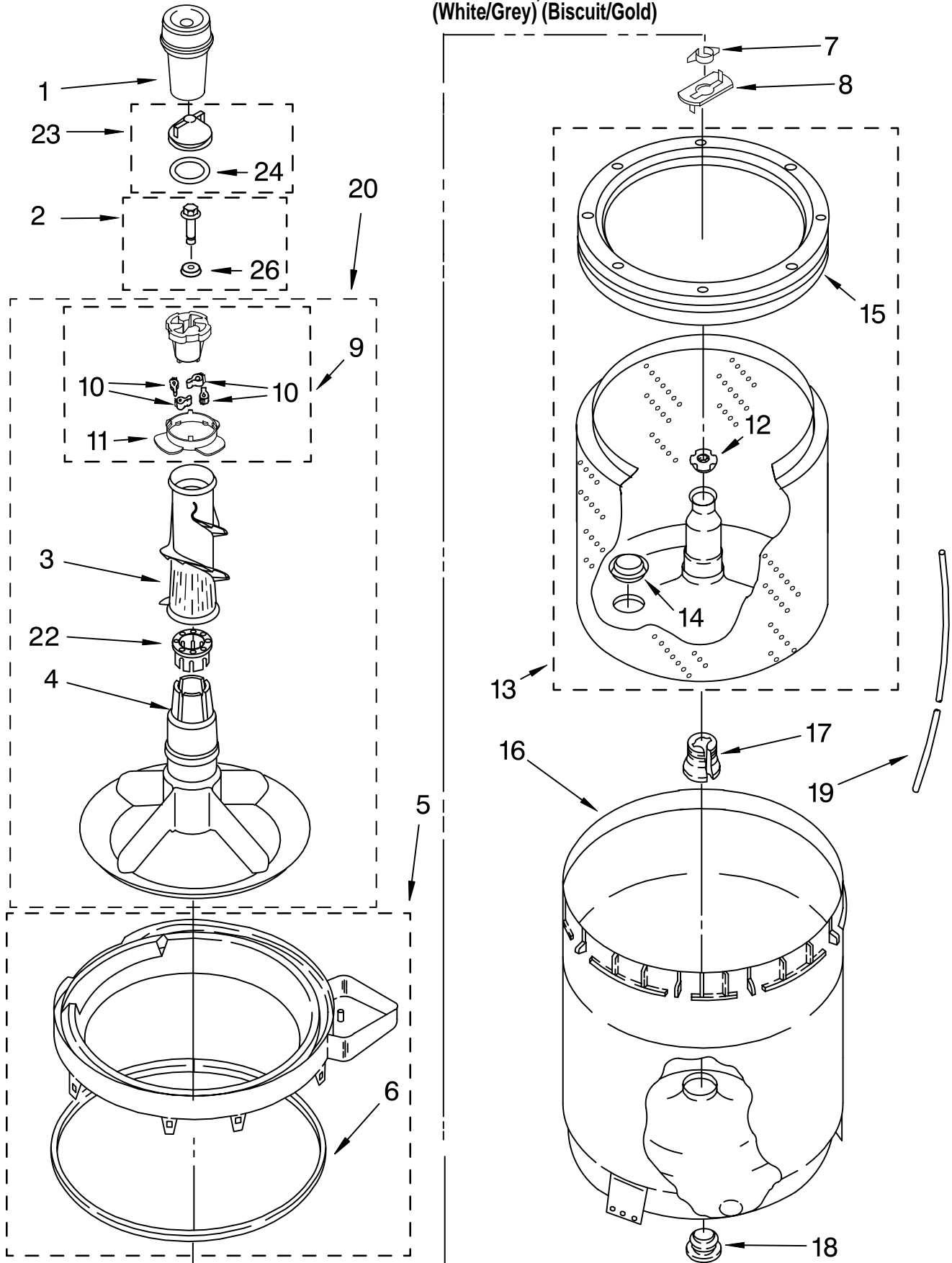
For Models: LSN2000LW0, LSN2000LG0  
(White/Grey) (Biscuit/Gold)

Illus. No.	Part No.	DESCRIPTION	Illus. No.	Part No.	DESCRIPTION	Illus. No.	Part No.	DESCRIPTION
1	3976300	Washer, Water Inlet Hose (4) (1-1/16 x 5/8)	16		Cap, End (L.H.)	39		Panel, Console
				8271365	White		3955806	Grey (Includes #52)
				8271368	Biscuit			
2	694419	Mini, Buzzer	17	8283343	Retainer, Harness		3955807	Gold (Includes #52)
3		Hose, Water Inlet (2)	18	3979347	Valve, Water Inlet & Thermistor Assy.	41	3956080	Switch, Rotary
	3949374	Blue Coupler	19	303294	Edge Protector	42	3976286	Shield, Capacitor
	3949375	Red Coupler	20	8318201	Clip, Capacitor	43	8317926	Hose, Vacuum Break
4	3400073	Screw, Ground	21	370451	Clamp, Hose	44		Knob, Timer
5	8318255	Strap, Console (2)	22	8055003	Clip, Harness & Pressure Hose		8316537	(For LSN2000LW0)
6	3357978	Panel, Rear	23	371503	Clamp, Hose		8316548	(For LSN2000LG0)
7	62747	Pad, Rear Panel	24	387606	Break, Vacuum	45		Dial, Timer
8	3951609	Hose, Drain (4 ft.)	26	8317941	Hose, Drain (Anchored)		8316539	(For LSN2000LW0)
	661577	Hose, Drain (9 ft.) (Not Included)	27	3366912	Clamp, Hose		8316547	(For LSN2000LG0)
	3357090	Extension Drain Hose (21 Inches) (Not Included)	28	661605	Capacitor, Motor Start	46		Knob, Control
			29	3407125	Control, ETC		8316540	(For LSN2000LW0)
			30	3363366	Clamp, Hose		8316545	(For LSN2000LG0)
9	3955765	Timer, Control (60 Hz.) (Motor Not A Service Part)	31	371507	Clamp, Hose	49	388326	Screw, 8-18 x 1.25 (Panel to Top)
			32	3951449	Hose, Pump To Tub (Includes #30)	50	9740848	Screw
			33	3976395	Clamp, Hose	51		Cap, End (R.H.)
10	3351614	Screw	34	3950356	Switch, Rotary		8271359	White
11	90767	Screw, 8-18 x 3/8	35	62863	Screw, 10-16 x 3/8		8271362	Biscuit
12	3366845	Switch, Water Level	36	3400818	Screw, Timer Mounting	52	3955775	Medallion
			38	3950358	Switch, Temperature	53	3357027	Nozzle, Hose Drain
13	3948608	Bracket, Control				54	3366913	Clamp, Drain Hose
14	3948063	Cord, Power				55	3348424	Shield, Suds
15	3952821	Strain Relief, Power Cord				56	3956076	Harness, Wiring (For Detail See Pages 9 & 10)

FOR ORDERING INFORMATION REFER TO PARTS PRICE LIST

# AGITATOR, BASKET AND TUB PARTS

For Models: LSN2000LW0, LSN2000LG0  
(White/Grey) (Biscuit/Gold)



FOR ORDERING INFORMATION REFER TO PARTS PRICE LIST

# AGITATOR, BASKET AND TUB PARTS

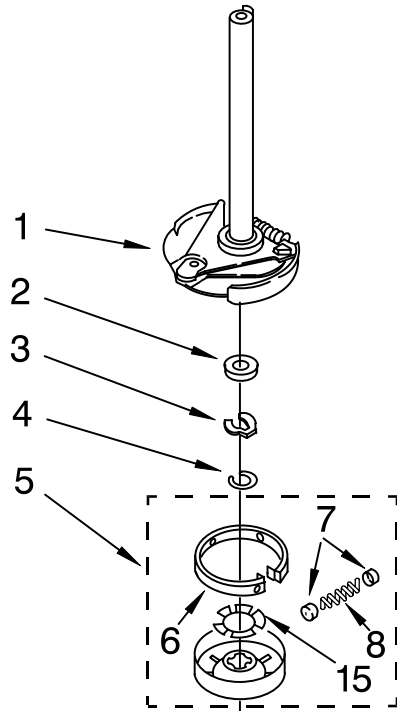
For Models: LSN2000LW0, LSN2000LG0  
(White/Grey) (Biscuit/Gold)

<b>Illus. No.</b>	<b>Part No.</b>	<b>DESCRIPTION</b>
1	63580	Dispenser
2	358237	Screw & Washer (5/16-24 x 1)
3	3363003	Clothes Mover
4	3951632	Agitator
5	8528150	Tub Ring & Gasket
6	3359585	Seal, Tub Ring
7	3354845	Clip, Agitator
8	3355921	Washer, Agitator
9	3951682	Cam Driven
10	3366877	Dog, Agitator Clutch
11	3952374	Bearing-Driven Cam
12	21366	Nut, Spanner
13	8526016	Basket & Balance Ring (Also Order #14)
14	8522271	Filter Plug
15	8519788	Balance Ring
16	63849	Tub
17	389140	Block, Basket Drive
18	383727	Gasket, Centerpost
19	3347780	Hose, Pressure Switch
20	3951744	Agitator (Complete)
22	3951608	Spacer, Thrust
23	3354733	Cap, Barrier
24	3348855	Seal, Inner Cap
26	3949550	Washer

FOR ORDERING INFORMATION REFER TO PARTS PRICE LIST

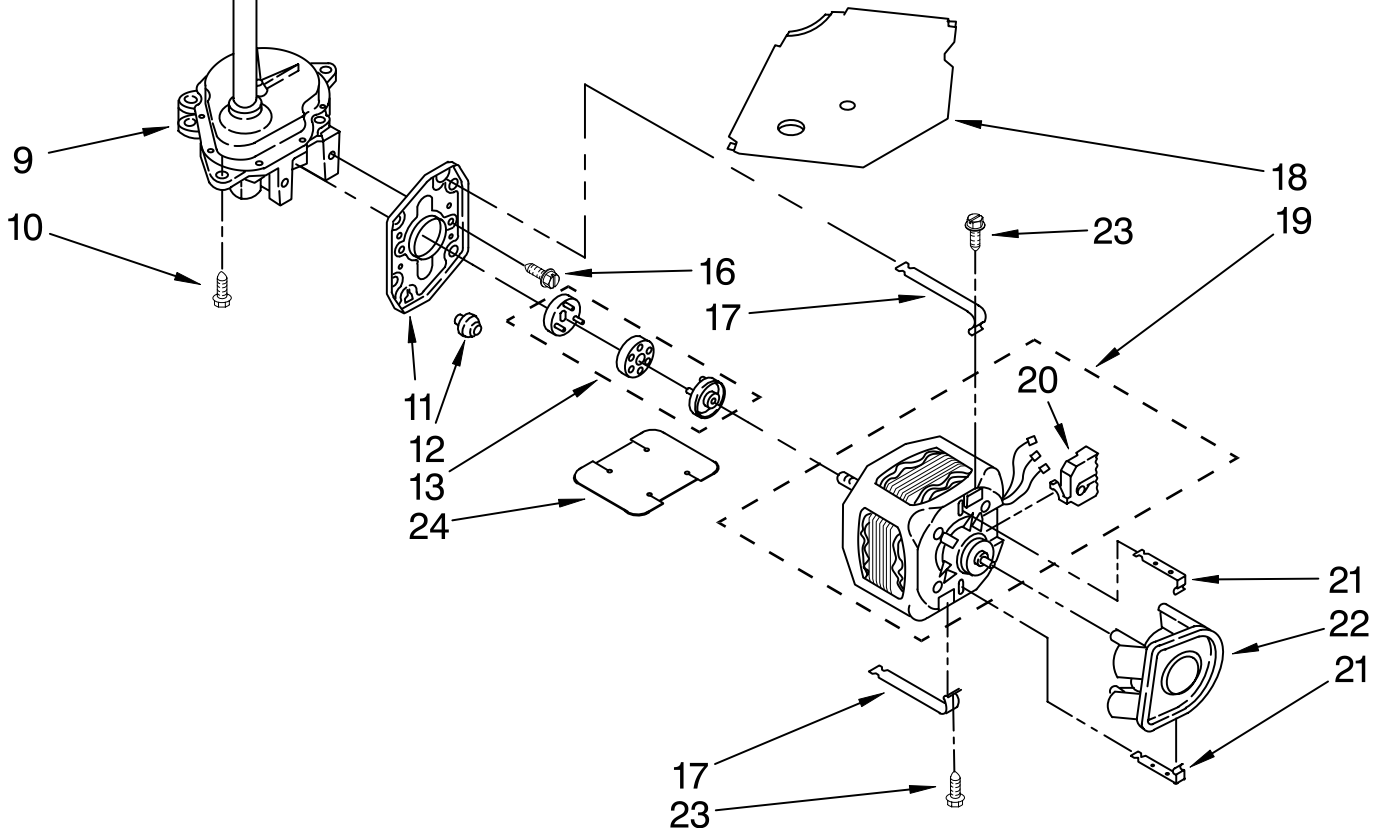
# BRAKE, CLUTCH, GEARCASE, MOTOR AND PUMP PARTS

For Models: LSN2000LW0, LSN2000LG0  
(White/Grey) (Biscuit/Gold)



Illus. No.	Part No.	DESCRIPTION
1	388952	Brake & Drive Tube (Complete) (Refer to Page 11 For Further Breakdown)
2	63292	Washer, Spin Tube Thrust
3	62697	Ring, Spin Tube Support
4	63283	Ring, Retainer
5	3951311	Clutch (Complete)
6	3951308	Band & Lining, Clutch (Includes Illus. 7 & 8)
7	62646	Cap, Clutch Spring (2)
8	3946792	Spring, Clutch
9	3360630	Gearcase (Complete) (Refer To Page 12 For Further Breakdown)

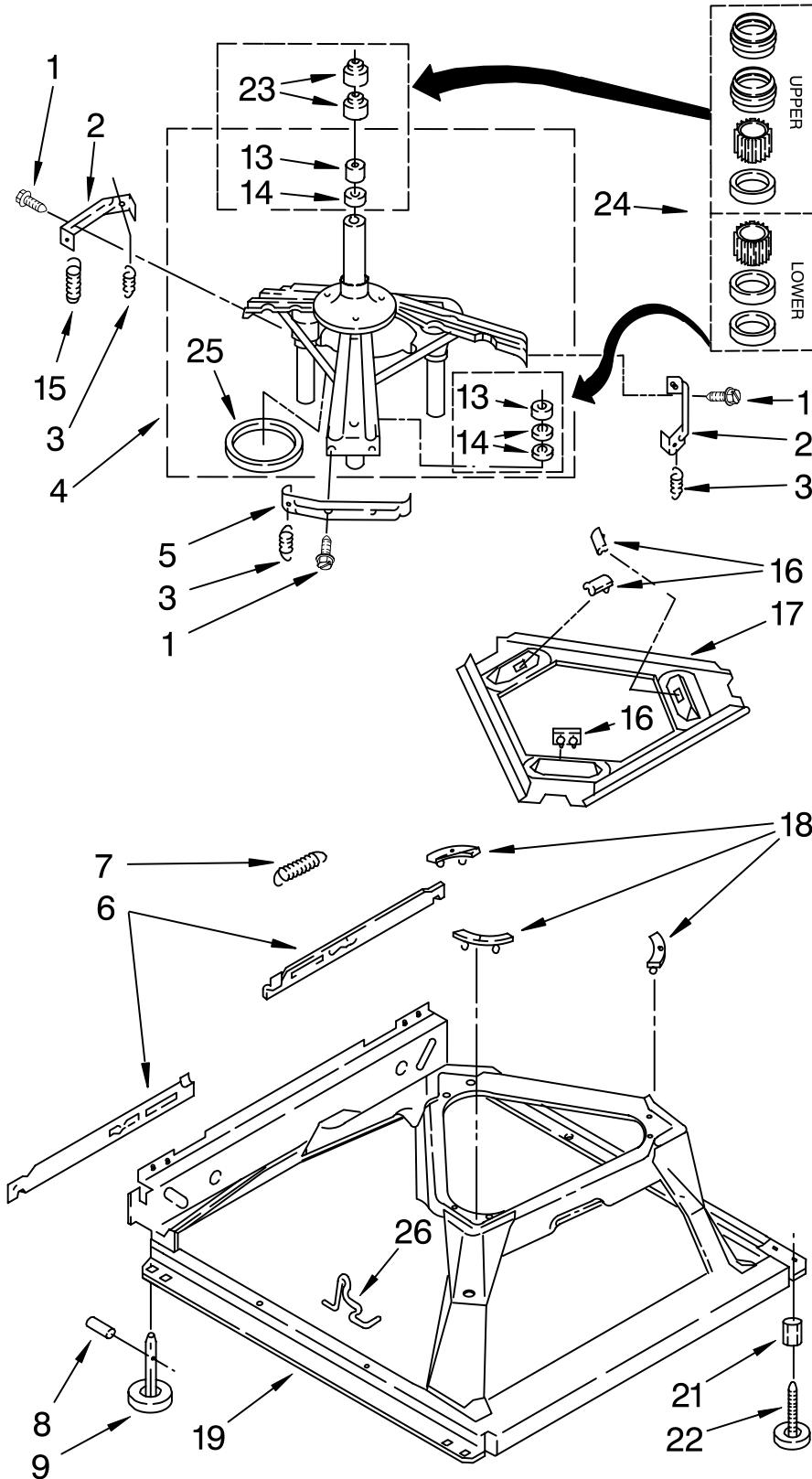
Illus. No.	Part No.	DESCRIPTION
10	3357334	Screw, Gearcase To Base (3)
11	62611	Plate, Motor Mount To Gearcase
12	62691	Grommet, Motor (4)
13	285753	Coupling, Motor & Isolation
15	3355454	Clip, Anti-Rattle
16	3400516	Screw
17	3349637	Retainer, Motor (2)
18	3362089	Shield, Tub To Motor
19	8529935	Motor, Main Drive
20	8529896	Switch, Main Drive Motor
21	62700	Retainer, Pump (2)
22	3363892	Pump (Complete)
23	3387485	Screw, 10-16 x 5/8
24	3946532	Shield, Motor



FOR ORDERING INFORMATION REFER TO PARTS PRICE LIST

# MACHINE BASE PARTS

For Models: LSN2000LW0, LSN2000LG0  
(White/Grey) (Biscuit/Gold)



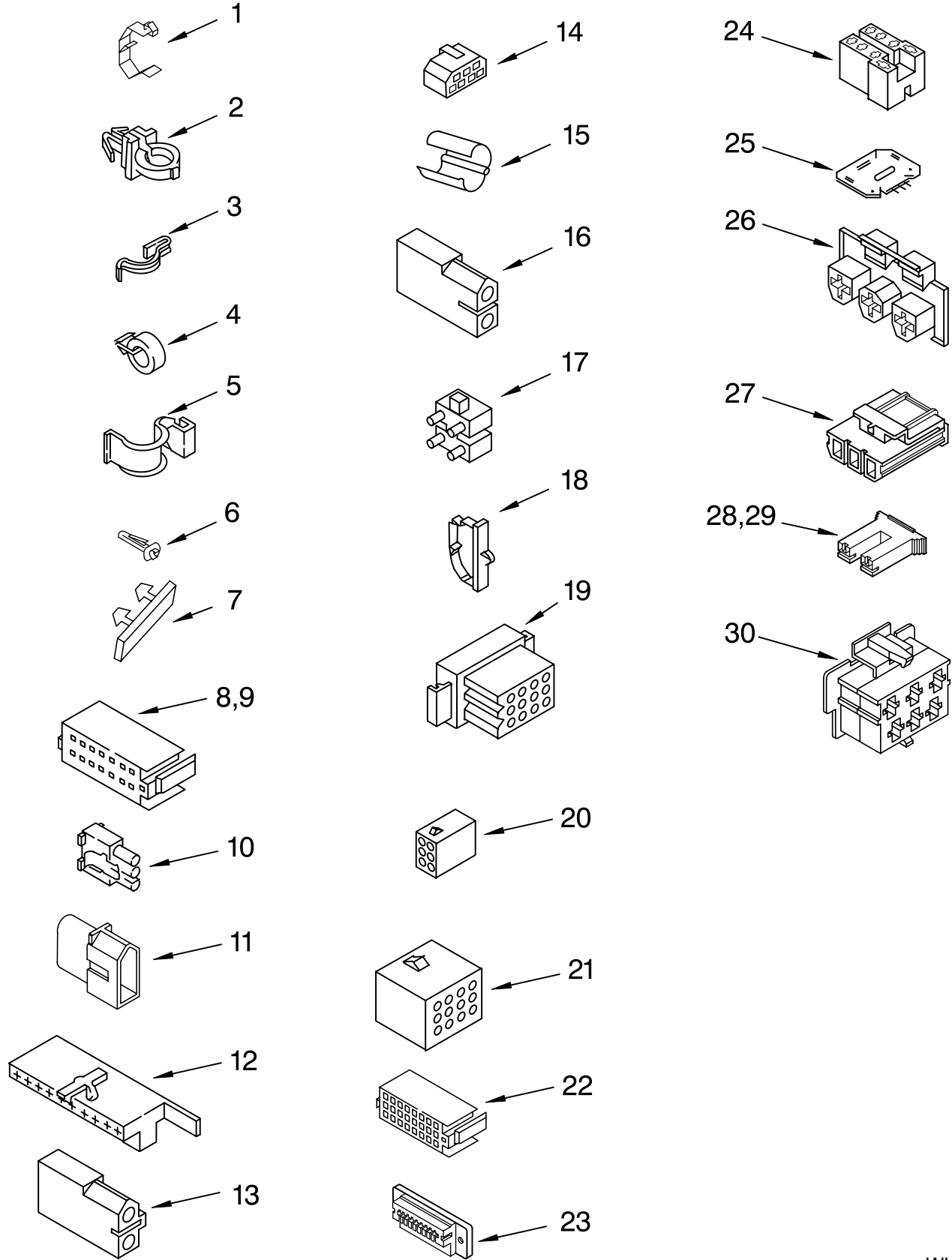
Illus. No.	Part No.	DESCRIPTION
1	3400076	Screw, Bracket Mounting (10-32 x 5/8)
2	64067	Bracket, Spring Outer (2)
3	63907	Spring Suspension,(3)
4	3362087	Support & Brake, Tub
5	64065	Bracket, Spring Outer (L.F.)
6	63466	Link, Leveling Mechanism (2)
7	62597	Spring, Leveling Mechanism
8	62837	Pin, Knurled
9	62596	Foot, Rear (2)
13	3347047	Bearing, Centerpost (2)
14	357409	Seal, Centerpost (3)
15	388492	Spring, Counterweight
16	62568	Pad, Plate
17	3946509	Plate, Suspension (Includes Illus. 16)
18	3363660	Pad, Base
19	3946512	Base Assembly (Includes Illus. 6, 7, 8, 9,16,17,18, & 26.)
21	3359452	Nut, Lock (3/8-16)
22	389102	Foot, Front (2)
23	356934	Seal, Centerpost (2)
24	285203	Centerpost Bearing Kit (Includes Illus. 13, 14 & 23)
25	63134	Ring, Sound Deadening
26	63806	Retainer, Suspension Spring

FOR ORDERING INFORMATION REFER TO PARTS PRICE LIST



# WIRING HARNESS PARTS

For Models: LSN2000LW0, LSN2000LG0  
(White/Grey) (Biscuit/Gold)



WH2G

FOR ORDERING INFORMATION REFER TO PARTS PRICE LIST

# WIRING HARNESS PARTS

For Models: LSN2000LW0, LSN2000LGO  
(White/Grey) (Biscuit/Gold)

Illus. No.	Part No.	DESCRIPTION	Illus. No.	Part No.	DESCRIPTION	Illus. No.	Part No.	DESCRIPTION
1	3349557	Clip, Harness	13	3348075	Block, Disconnect (Motor 3 Speed)	23	3349494	Connector, Etc
2	388498	Clip, Harness			(Use Term. 94613 Or 94614.)	24	60687	Connector, Relay (Use Term.308569)
3	3347812	Clip, Harness	14	3347243	Block, Disconnect (Use Term. 352088)	25	3407125	E.T.C. Control
4	3352501	Clip, Harness				26	3948617	Connector (T.P.A.) (3-Circuit) (Lid Switch)
5	90016	Clip, Harness	15	63523	Protector			(Use Term. 3948619 OR 3948620.)
6	3390496	Clip, Harness	16	717252	Connector (2-Way) (Use Term.94614)	27	3360056	Connector (T.P.A.) (3-Circuit) (Pressure Switch)
7	389379	Retainer, (Suds Models)						(Use Term.3948619 OR 3948620.)
8	352090	Timer, Block Disconnect (White)	17	387566	Plug, Terminal (4-Way) (Power Cord) (Use M3 Screws)	28	3354925	Block, Connector (Cold Valve) (Use Term.693217)
9	352089	Timer, Block Disconnect (Black)	18	3352944	Clip, Harness	29	3354926	Block, Connector (Hot Valve) (Use Term.693217)
10	62889	Receptacle, Terminal (3-Way) (Lid Switch) (Use Term.94613) Or 94614.)	19	3390423	Block, Disconnect (12-Way) (Timer) (Use Term. 94613)	30	3948615	Connector (T.P.A.) (6-Circuit) (Temp. Switch) (Use Term.3948619 OR 3948620.)
11	353424	Plug, Terminal (3-Way) (Power Cord) (Use Term.94613)	20	3347730	Receptacle (6-Way) (Use Term. 94613)			
12	62505	Block, Disconnect (Motor 2 Speed) (Use Term.352088)	21	388818	Plug, Terminal (12-Way) (Use Term. 94613 Or 94614.)			
			22	3369366	Timer, Block Disconnect (Black) (Amp) (Use Term.3369365)			

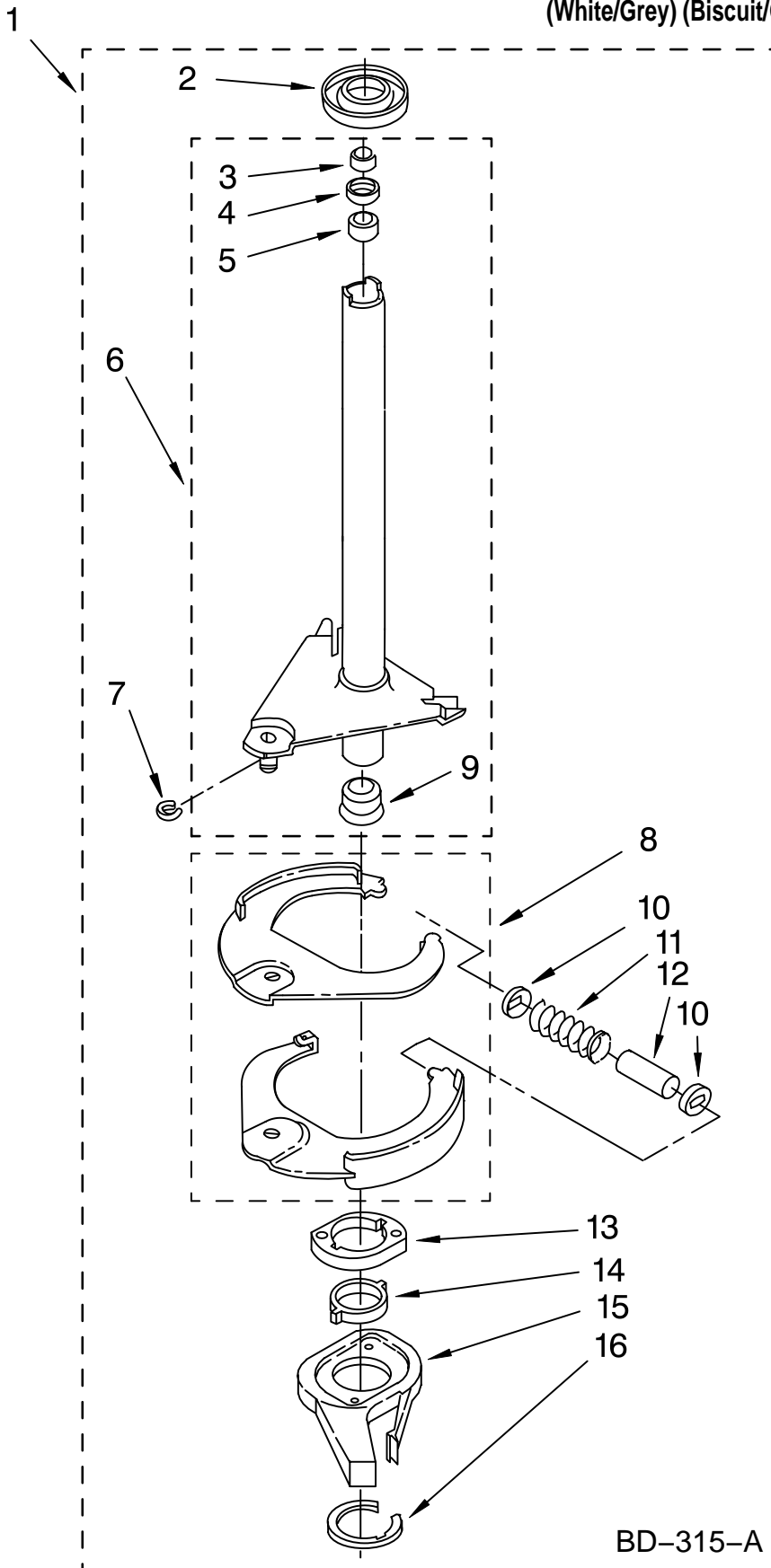
**FOR COMPLETE WIRING HARNESS REFER TO  
CONTROL AND REAR PANEL PARTS PAGE**

WH2G

FOR ORDERING INFORMATION REFER TO PARTS PRICE LIST

# BRAKE AND DRIVE TUBE PARTS

For Models: LSN2000LW0, LSN2000LG0  
(White/Grey) (Biscuit/Gold)



Illus. No.	Part No.	DESCRIPTION
1	388952	Brake And Drive Tube (Complete)
2	62658	Ring, Thrust
3	91939	Seal, Oil
4	356427	Seal, Drive Tube
5	356937	Spacer, Drive Tube
6	64027	Tube, Basket Drive (Includes Illus. 3, 4, 5 & 9)
7	64035	Ring, Retaining
8	64232	Shoe, Brake
9	62703	"T" Bearing, Spin Tube
10	62648	Cap, Brake Spring (2)
11	387806	Spring, Brake
12	62909	Sleeve, Brake Spring
13	63023	Cam, Brake Release
14	63022	Sleeve, Cam
15	64194	Driver, Brake Cam
16	90368	Ring, Retaining

## FOLLOWING PARTS NOT ILLUSTRATED

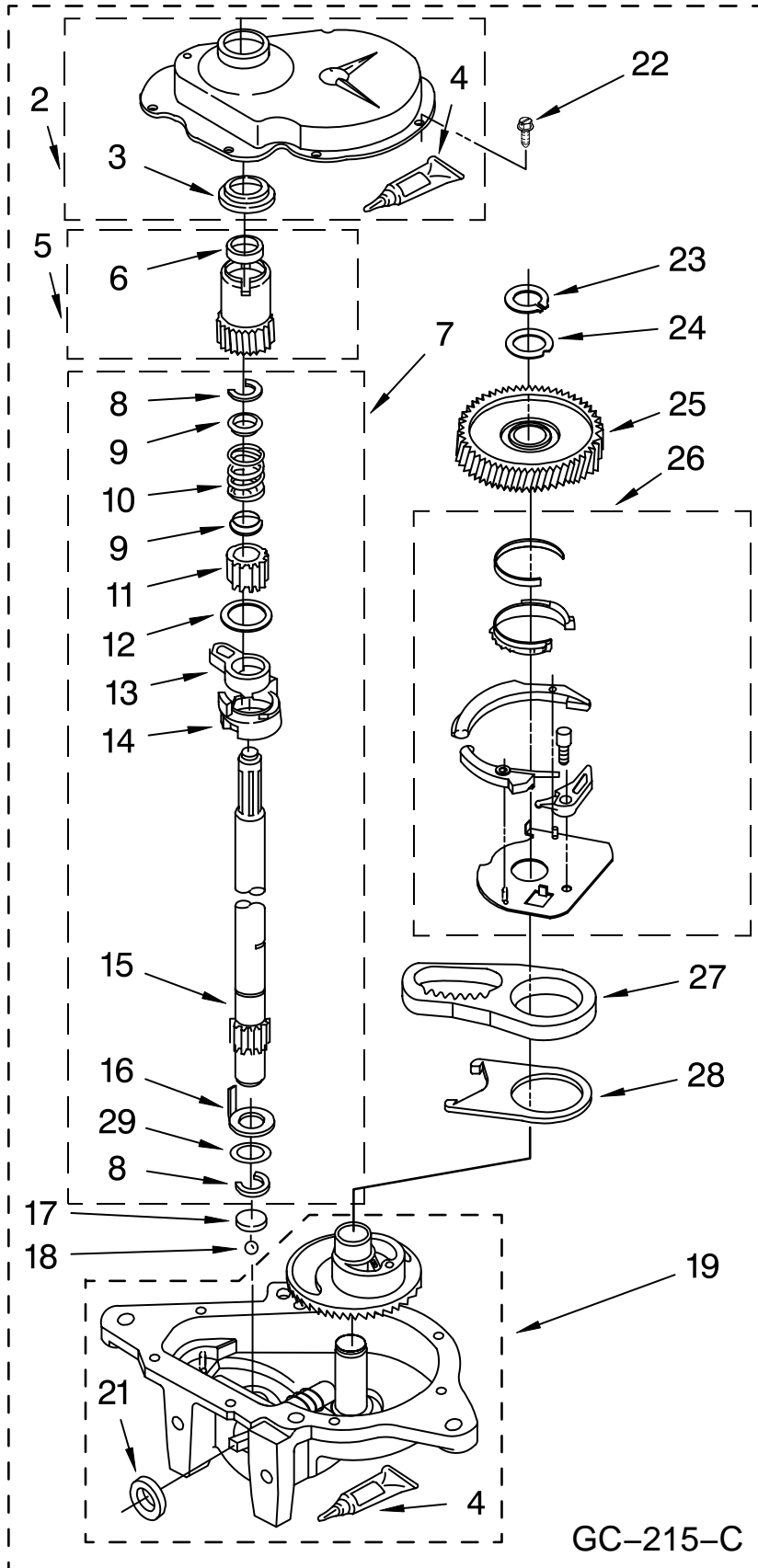
285208 Lubricant  
(Use Only In Brake Shoe Assembly On Roller & Pin)

BD-315-A

FOR ORDERING INFORMATION REFER TO PARTS PRICE LIST

# GEARCASE PARTS

For Models: LSN2000LW0, LSN2000LG0  
(White/Grey) (Biscuit/Gold)



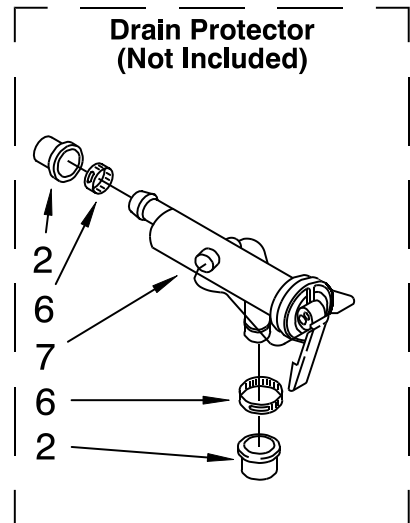
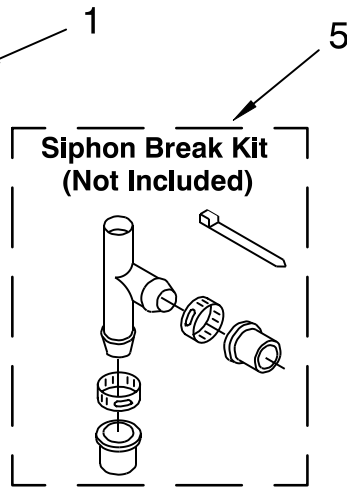
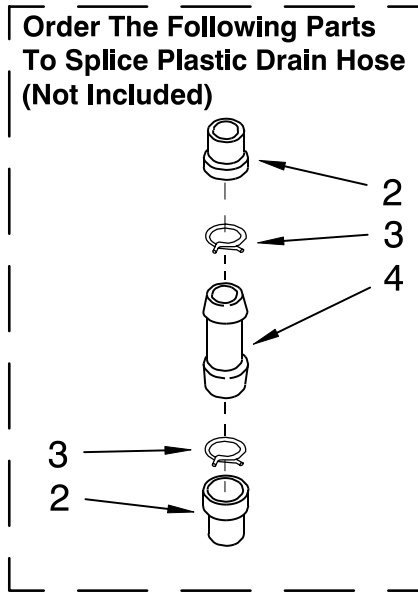
Illus. No.	Part No.	DESCRIPTION
1	3360630	Gearcase (Complete)
2	285202	Cover, Gearcase
3	3349985	Seal, Gearcase Cover
4	285195	Sealer, Gasket (.20 Fl. Oz.) (6 ml)
5	63320	Pinion, Spin (Includes Illus. 25)
6	356427	Seal, Spin Pinion
7	389387	Shaft, Agitator (Complete)
8	90369	Ring, Retaining (2)
9	62677	Retainer, Spring
10	62676	Spring, Agitate
11	63273	Gear, Agitate (Includes 15 and 29)
12	62619	Washer, Agitate Gear
13	62580	Cam Follower (Includes 14)
14	62581	Cam, Agitate (Includes 13)
15	285509	Shaft, Agitator (Includes 11 and 29)
16	62618	Washer, Cam Thrust
17	16018	Bearing, Thrust
18	85529	Ball, Bearing
19	389230	Bottom and Pinion, Gearcase
21	285352	Seal, Thrust Plug
22	3351614	Screw, Gearcase Cover, Mounting (8) (10-24 x 3/8)
23	3362552	Ring, Retaining
24	285735	Washer Kit, Thrust
25	62570	Gear, Spin
26	388253	Neutral Assembly
27	3349296	Rack, Connecting
28	62621	Actuator, Shift
29	388815	Washer, Intermediate

GC-215-C

FOR ORDERING INFORMATION REFER TO PARTS PRICE LIST

# WATER SYSTEM PARTS

For Models: LSN2000LW0, LSN2000LG0  
(White/Grey) (Biscuit/Gold)



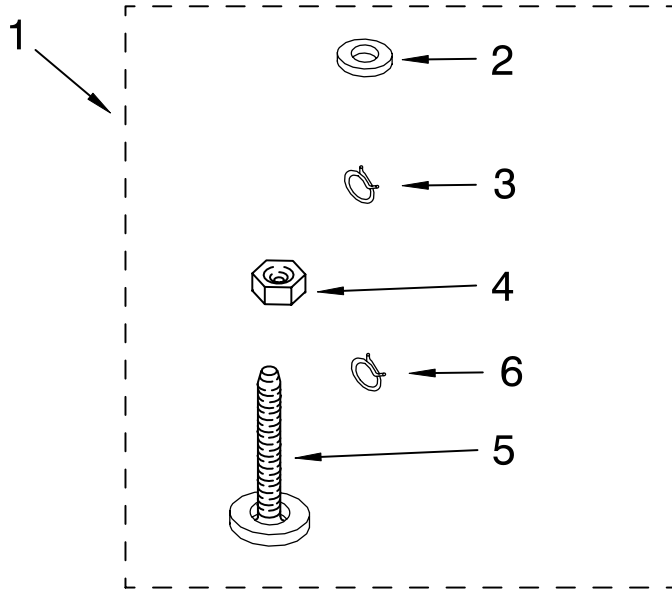
WS400

Illus. No.	Part No.	DESCRIPTION
1	285442	Connector Kit, Plastic Drain Hose
2	285321	Sleeve Kit, (Contains 2 Sleeves)
3	370447	Clamp, Hose
4	16272	Connector, Straight
5	285320	Siphon Break Kit (Not Included)
6	65349	Clamp, Hose
7	367031	Drain Protector (Not Included)

FOR ORDERING INFORMATION REFER TO PARTS PRICE LIST

# MISCELLANEOUS PARTS

For Models: LSN2000LW0, LSN2000LG0  
(White/Grey) (Biscuit/Gold)



Illus. No.	Part No.	DESCRIPTION
1	3976263	Miscellaneous Parts Bag
2	3976300	Washer, Inlet Hose (1-1/16 x 5/8) (4)
3	3366912	Clamp, Hose
4	3359452	Nut, Lock (3/8-16)
5	389102	Foot, Front (2)
6	3366913	Clamp, Hose

## OPTIONAL PARTS (NOT INCLUDED)

Illus. No.	Part No.	DESCRIPTION
<b><u>PAINT, TOUCH-UP (1/2oz.)</u></b>		
	72017	White
	4392899	Biscuit
<b><u>PAINT, PRESSURIZED SPRAY (12 oz.)</u></b>		
	350938	Primer, Gray
	350930	White
	4392901	Biscuit
<b><u>PAINT, BULK (1 qt.)</u></b>		
	799344	White (Uncut)
	4392900	Biscuit (Uncut)

Illus. No.	Part No.	DESCRIPTION
<b><u>OIL</u></b>		
	350572	Oil, Gearcase (16 Oz.)
<b><u>LUBRICANT</u></b>		
	285208	Lubricant (Use Only in Brake Shoe Assembly On Roller and Pin)

Illus. No.	Part No.	DESCRIPTION
<b><u>SEALER</u></b>		
	285195	Sealer, Gasket (.20 Fl. Oz.) (6 ml)
<b><u>ACCESSORY PARTS</u></b>		
	367031	Drain Protector
	285320	Siphon Break Kit

FOR ORDERING INFORMATION REFER TO PARTS PRICE LIST