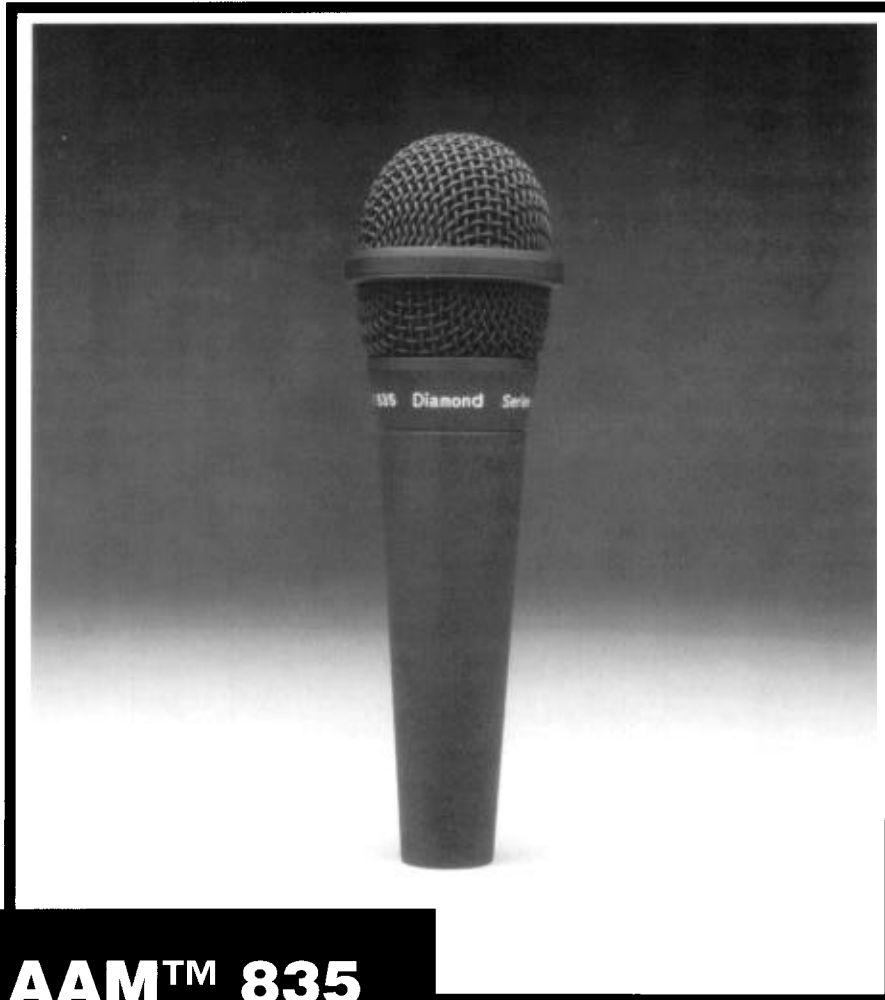


# SPECIFICATIONS



## AAM™ 835 Diamond Series Microphone

### SPECIFICATIONS

**Diaphragm Type:**

Diamond Coated

**Element Type:**

Dynamic

**Magnet Composition:**

Neodymium Iron Boron

**Polar Pattern:**

Cardioid

**Front-to-Back Rejection:**

20 dB (typical)

**Impedance:**

400 ohms

**Frequency Response:**

45 Hz to 16 kHz

**Sensitivity:**

-52 dB (0 dB = 1 mW/Pascal)

**Open Circuit Voltage:**

-68 dB (0 dB = 1 volt/mBar)

**Case Housing:**

Brass

**Finish:**

Rubberized paint

**Pop Filter:**

Dual integral open cell foam

**Phasing:**

Positive (inward) pressure on diaphragm produces positive pulse at pin #2.

**Weight:**

.62 lbs

### FEATURES

- Diamond coated diaphragm
- Neo-Dynamic™ design
- Cardioid polar response
- Neodymium magnetic
- Superior off-axis rejection
- Smooth, accurate frequency response
- Ultra-high sensitivity

### DESCRIPTION

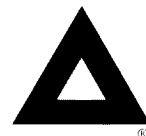
The AAM™ 835 Diamond Series Microphone is a cardioid-polar pattern, hand-held microphone that has a tailored response for those who feel they don't need low-frequency emphasis. The cardioid pattern makes the AAM 835 perfect for vocal reproduction. The wide front lobe gives less variation in sound when used by the vocalist. In addition, this lobe makes micing easier when trying to get a good sound on nonelectric instruments.

The most significant advances in microphone design have been achieved through the utilization of high-tech materials.

Peavey is proud to say that we now offer a significant advancement in our microphone design. This advancement is achieved through the utilization of amorphous diamond-coated diaphragms—that's right, diamond. Peavey uses a patented technology to coat the microphone diaphragms with a superthin diamond coat. This thin coat offers many advantages over the conventional laminating or coating materials. Everyone knows that diamond is the hardest substance known to man, but did you know that it is also super stiff? The stiffness is why we chose to use it on our diaphragms, achieving a stiff but ultra-light system. Just like the clarity of a high-grade diamond, the new AAM 835 offers clarity in a hand-held microphone that mimics those high-cost condenser microphones.

Another great advantage of the AAM 835 is that, combined with our new twin-tuned electromechanical shock mount system, it offers one of the lowest handling noises of any hand-held dynamic on the market. You can hear the diamond difference immediately—super clear and ultra-low handling noise.

We have combined another exciting high-tech feature with our ultra-light diaphragm. A neodymium iron boron



**PEAVEY**  
ARCHITECTURAL ACOUSTICS®

magnet has been used to achieve a high-output hand-held dynamic. The neodymium magnet allows more than two times the output of traditional dynamic hand-held microphones. A higher-output microphone provides a better overall signal-to-noise spec due to lower gain settings through the system.

We have combined the latest technologies with every aspect of the AAM 835 to provide you with a product that refuses to be outdated.

### ARCHITECTURAL & ENGINEERING SPECIFICATIONS

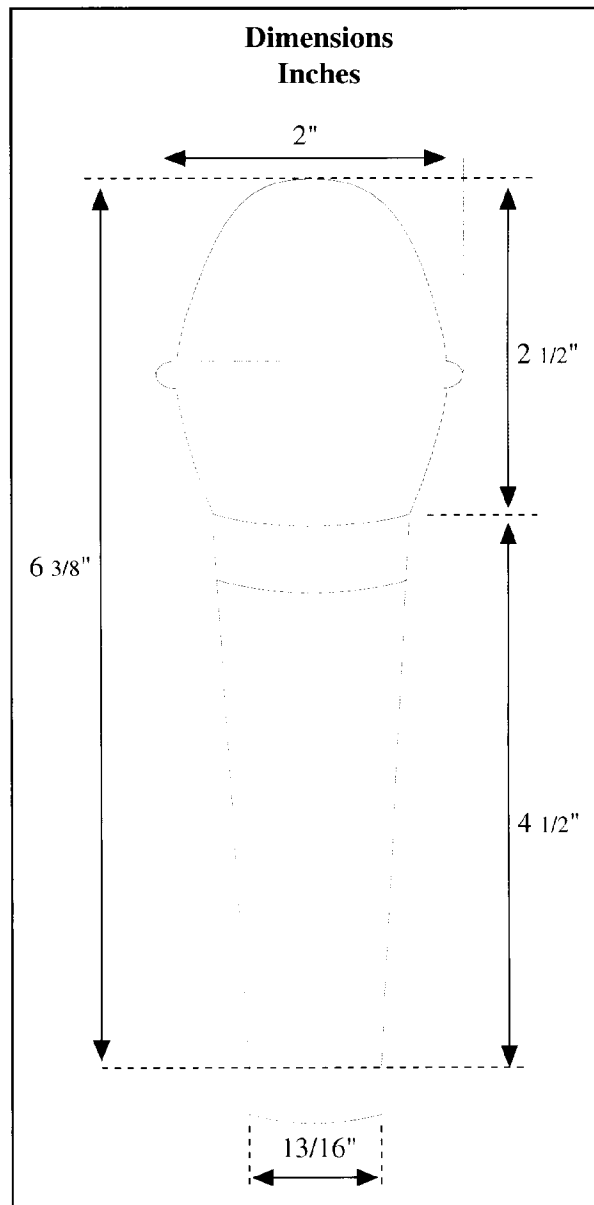
The microphone shall be a moving coil dynamic with a frequency response of 45 Hz to 16 kHz. The microphone shall have a cardioid characteristic typically 20 dB down from the front response. The microphone shall have an output power level of -52 dB where 0 dB = 1 mW/Pascal and a nominal impedance rating of 400 ohms.

The microphone shall have a gray rubberized finish that can withstand the toughest of conditions. The microphone uses a standard mic clip for stand mounting. The connector shall be a three-pin XLR equivalent audio type.

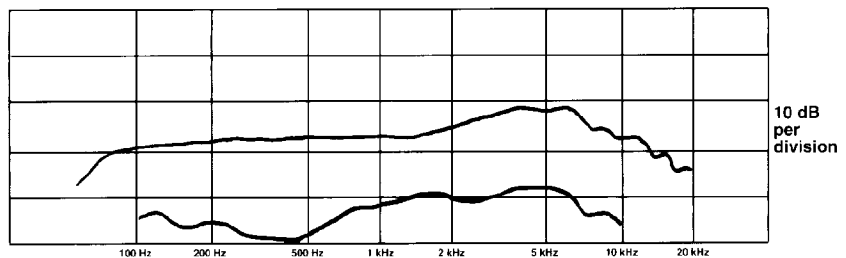
The microphone shall be a Peavey Architectural Acoustics Division AAM 835 Neo-Dynamic™ or equivalent.

### PROXIMITY

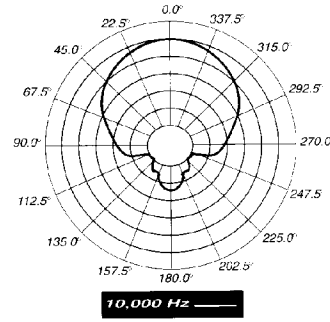
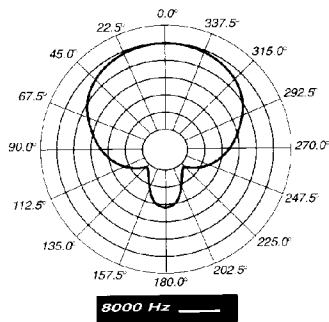
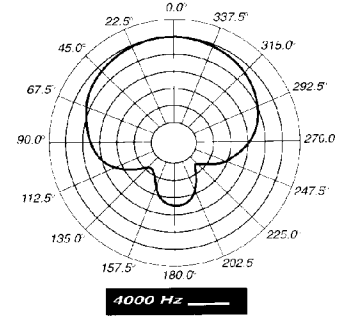
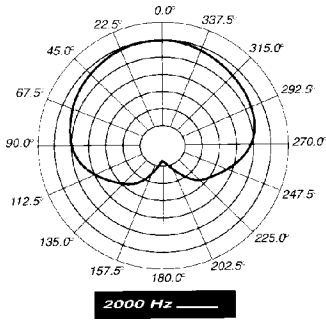
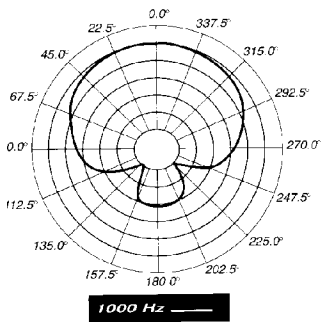
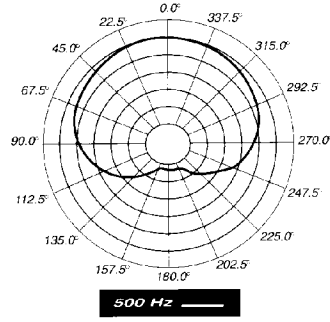
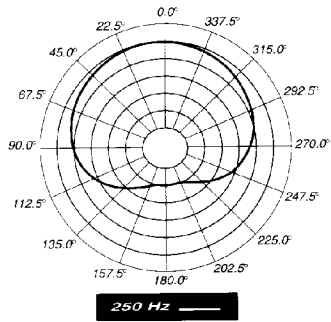
Proximity effect is a naturally occurring phenomenon in unidirectional microphones. The effect is to accentuate or boost the low frequency response. This effect is a function of distance from the diaphragm to the source and increases as the diaphragm is moved closer to the source.



FREQUENCY RESPONSE



**POLAR PATTERNS**  
5 dB per division



## PEAVEY MICROPHONE LIMITED WARRANTY/REMEDY

PEAVEY ELECTRONICS CORPORATION ("Peavey") warrants this microphone to the original retail purchaser to be free from defects in material and workmanship for a period of one (1) year from date of purchase; provided, however, that the existence of this limited warranty is subject to the conditions, exclusions and limitations hereinafter set forth.

In case of a covered defect in material or workmanship, Peavey will repair or replace the microphone, at Peavey's option, provided that consumer:

(a) brings the defective microphone to any Peavey Authorized Dealer or Service Center and presents therewith a copy of the sales receipt or other proof of purchase. If the DEALER or SERVICE CENTER is unable to provide the necessary warranty service, the consumer will be directed to the nearest other PEAVEY AUTHORIZED DEALER or SERVICE CENTER which can provide such service; or

(b) returns the defective microphone, shipping charges prepaid, to Peavey Electronics Corporation, 326 Hwy. 11 & 80 East, Meridian, Mississippi, and includes therewith a written description of the problem, a copy of the sales receipt or other proof of purchase and consumer's complete return address.

If the defect is remedial under this limited warranty and the other terms and conditions expressed herein have been complied with, Peavey will provide the necessary warranty service to repair or replace the microphone and will return it, freight collect, to the consumer.

Under no circumstances will Peavey be liable for any lost profits, lost savings or other consequential or incidental damages arising out of the use or inability to use the product, even if Peavey had been advised of the possibility of such damage.

THIS LIMITED WARRANTY IS IN LIEU OF ANY AND ALL WARRANTIES, EXPRESSED OR IMPLIED, INCLUDING, BUT NOT LIMITED TO, THE IMPLIED WARRANTIES OF MERCHANTABILITY AND FITNESS FOR PARTICULAR USE; provided, however, that upon compliance with the other terms and conditions necessary to the existence of the express limited warranty, such implied warranties are not disclaimed during the applicable one year period from date of purchase of this product.

SOME STATES DO NOT ALLOW LIMITATIONS ON HOW LONG AN IMPLIED WARRANTY LASTS OR THE EXCLUSION OR LIMITATION OF INCIDENTAL OR CONSEQUENTIAL DAMAGES, SO THE ABOVE LIMITATIONS OR EXCLUSIONS MAY NOT APPLY TO YOU, THIS LIMITED WARRANTY GIVES YOU SPECIFIC LEGAL RIGHTS, AND YOU MAY ALSO HAVE OTHER RIGHTS WHICH MAY VARY FROM STATE TO STATE.

In the event any modification or disclaimer of express or implied warranties or any limitation of remedies contained herein conflicts with applicable law, then such modification, disclaimer or limitation as the case may be, shall be deemed to be modified to the extent necessary to comply with such law.

Peavey Electronics Corporation gives this limited warranty only with respect to Peavey microphones purchased in the United States of America. This limited warranty shall be void and of no effect if:

- (a) first purchase of the product is for the purpose of resale; or
- (b) the original retail purchase is not made from an AUTHORIZED PEAVEY DEALER; or
- (c) the product has been damaged by accident or unreasonable use, neglect, improper service or maintenance, or other causes not arising out of defects in material or workmanship.



**PEAVEY**<sup>®</sup>  
ARCHITECTURAL ACOUSTICS<sup>®</sup>

Features and specifications subject to change without notice.

Peavey Electronics Corporation 711 A Street / Meridian, MS 39301 / U.S.A. / (601) 483-5365 / Fax: 486-1278