

INSTALLATION and MAINTENANCE INSTRUCTIONS

 **SPEED QUEEN**®

SUPER 20 WASHER-EXTRACTOR

MODELS

**CL8761, CL8763,
CL8771 & CL8773**



SPEED QUEEN
Ripon, Wisconsin 54971

PRINTED
IN
U.S.A.

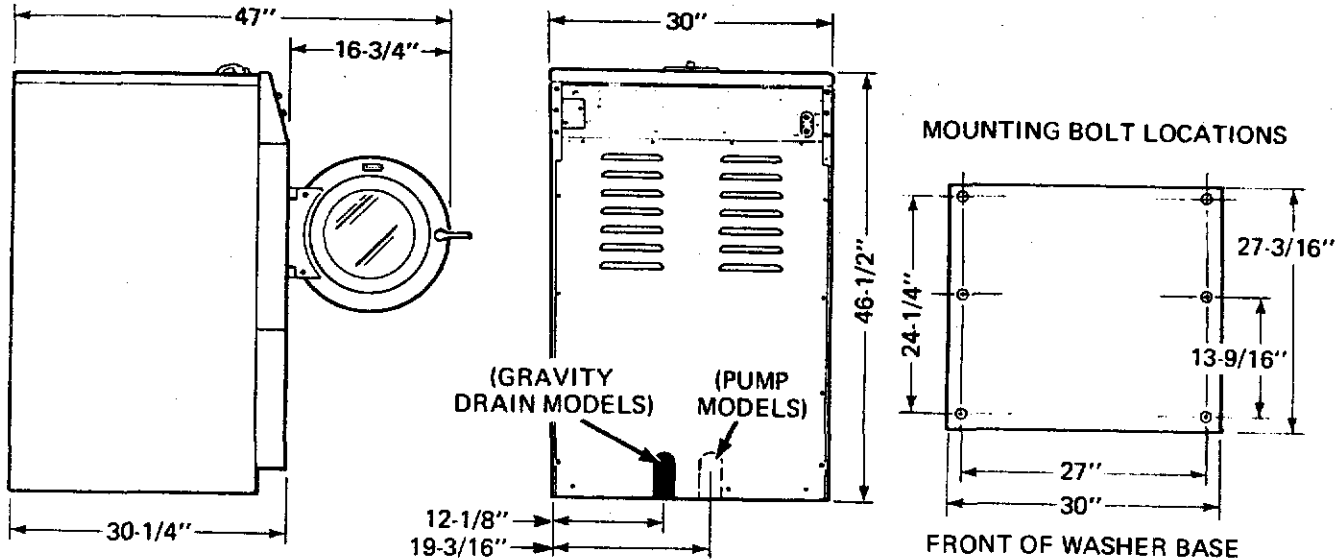
PART NO. 81216R8



Table of Contents

ROUGHING-IN DIMENSIONS	3
SPECIFICATIONS	3
 SECTION I INSTALLATION	
1. Facilities Required	4
2. Installation Materials	4
3. To Install On Existing Concrete Floor	5
4. To Install On Concrete Slab	6
5. Installing Washer	8
6. Water Inlet Hose Connections	9
7. Electrical Service	9
8. Grounding	9
9. Drain Hose -- Gravity Drain Models	10
10. Drain Hose -- Pump Models	10
11. Drive Belt	10
 SECTION II MAINTENANCE	
12. Daily Maintenance	11
13. Weekly Maintenance	11
14. Periodic Maintenance	12

Roughing-in Dimensions



Specifications

Cabinet Finish:	Hi-baked acrylic enamel rear and side panels; stainless steel dispenser door, front panel and air intake grille. Porcelain cabinet top.
Height:	46-1/2 inches.
Width:	30 inches.
Depth:	30-1/4 inches.
Electrical Rating:	120/240 volt, 60 Hertz. Single phase, three wire, 10.5 amps. Also available for 120/208 volt operation.
Drive Motor:	Internal overload protected. Wound for 230 volt, 60 Hertz operation at 3450 and 400 R.P.M. Also available for 208 volt operation. Lifetime lubricated.
Blower Motor:	Wound for 115 volt, 60 Hertz operation at 3000 R.P.M.
Pump Motor: Models CL8763 & CL8773	Wound for 115 volt, 60 Hertz operation at 3000 R.P.M.
Clothes Cylinder:	Stainless steel.
Cycle Timer:	30 minutes – complete cycle.
Reversing Timer:	Reverses drive motor every 30 seconds in tumble portion of cycle.
Water Mixing Valve:	3.8 gpm water flow rate.
Weight:	418 lbs. (approximate).



Installation SECTION I

IMPORTANT
WARRANTY IS VOID unless washer is installed according to instructions in this manual. Compliance with minimum specifications and requirements outlined in this manual and local building codes is a **MUST!** Because of varied requirements, local *plumbing and electrical* codes should be thoroughly understood and all pre-installation work arranged for accordingly.

1. FACILITIES REQUIRED

- The Super 20 must be mounted on a level concrete floor or a level concrete slab which has been secured to a concrete floor.
- Individual hot and cold water supply valves with standard 3/4 inch male hose thread; **SLIP-ON OR CLAMP-ON VALVE CONNECTIONS WILL NOT BE SATISFACTORY.**
- Minimum flowing water pressure of 20 pounds per square inch.
- Minimum water flow rate of 3.8 gallons per minute.
- Floor drain or trough at rear of washer a maximum of 2 inches above the floor of the washer base (gravity drain models).
- Standpipe drain may be used with drain pump models. (Standpipe height should be a minimum of 24 inches or a maximum of 30 inches above the floor of the washer base.)
- 120/240 volt (or 120/208 volt), 60 Hertz AC power supply.

2. INSTALLATION MATERIALS

Includes:

6 -	20162	Washers
12 -	81121	Nuts
6 -	81225	Mounting Bolts
1 -	81250	Anchoring Cement
1 -	81227	Template
6 -	91200	Lockwashers

3. TO INSTALL ON EXISTING CONCRETE FLOOR

- a. Place cardboard template on floor in exact spot where washer is to be located, and mark floor through holes marked SUPER 20.

IMPORTANT: Size of template may change with humidity. Please check dimensions before using. See *Figure 2*.

- b. Drill six, 1-1/4 inch diameter holes in concrete floor between 3 and 3-1/2 inches deep. See *Figure 1*.
- c. Mark piece of 1/2 inch plywood (approximately 30" x 30") through holes marked SUPER 20 in cardboard template, and drill holes (1/2 inch diameter) in plywood.
- d. Fasten mounting bolts to plywood template with nuts. See *Figure 1*.
- e. Check dimensions from bolt to bolt to assure that bolts are located properly. See *Figure 2*.

- f. Flush out holes in floor thoroughly with water. Sponge out water and leave sides of holes damp.

- g. Mix can of anchoring cement thoroughly with approximately 8 ounces of water.

NOTE: Mix to consistency of "pancake batter".

- h. Fill holes with anchoring cement and place mounting bolts (with template attached) into the holes.

IMPORTANT: Anchoring cement must be in holes and bolts in anchoring cement within 10 minutes of mixing.

- i. Shim template until all mounting bolts are in holes same depth (bottom of thread even with floor). See *Figure 1*.
- j. Let anchoring cement dry for four hours before removing template and installing washer.

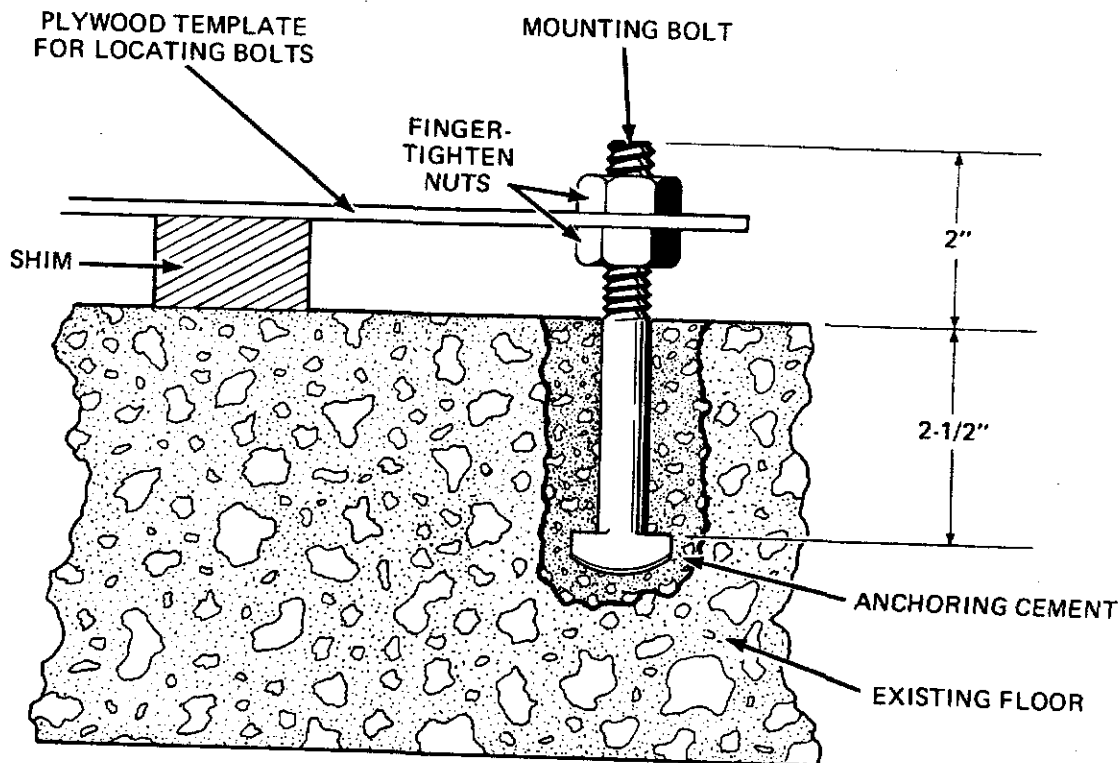


Figure 1



4. TO INSTALL ON CONCRETE SLAB

- a. Drill four, 1-1/4 inch diameter holes in concrete floor for tie bolts. Holes must be between 3 and 3-1/2 inches deep and slightly enlarged at the bottom.
- b. Flush out holes thoroughly with water. Sponge out water and leave sides of holes damp.
- c. Place four, 1/2 inch diameter steel tie-bolts (6 inch minimum length), with tack welded square washers attached, into center of holes, *Figure 3*.
- d. Mix can of anchoring cement thoroughly with approximately 8 ounces of water.

NOTE: Mix to consistency of "pancake batter".

- e. Fill holes with anchoring cement, making sure bolts remain in a vertical position.

IMPORTANT: Anchoring cement must be in holes within 10 minutes of mixing.

- f. Build a form around tie-bolts for slab, making provisions for 1-1/2 inch lip 3/4 inch wide, along the front and sides of the slab. See *Figure 4*.
- g. Place a 6 inch by 6 inch, 42 lb. road mesh into the form, supporting it approximately 2 inches from floor. See *Figure 4*.
- h. Pour concrete into form, using 3500 lb. ready mixed cement.

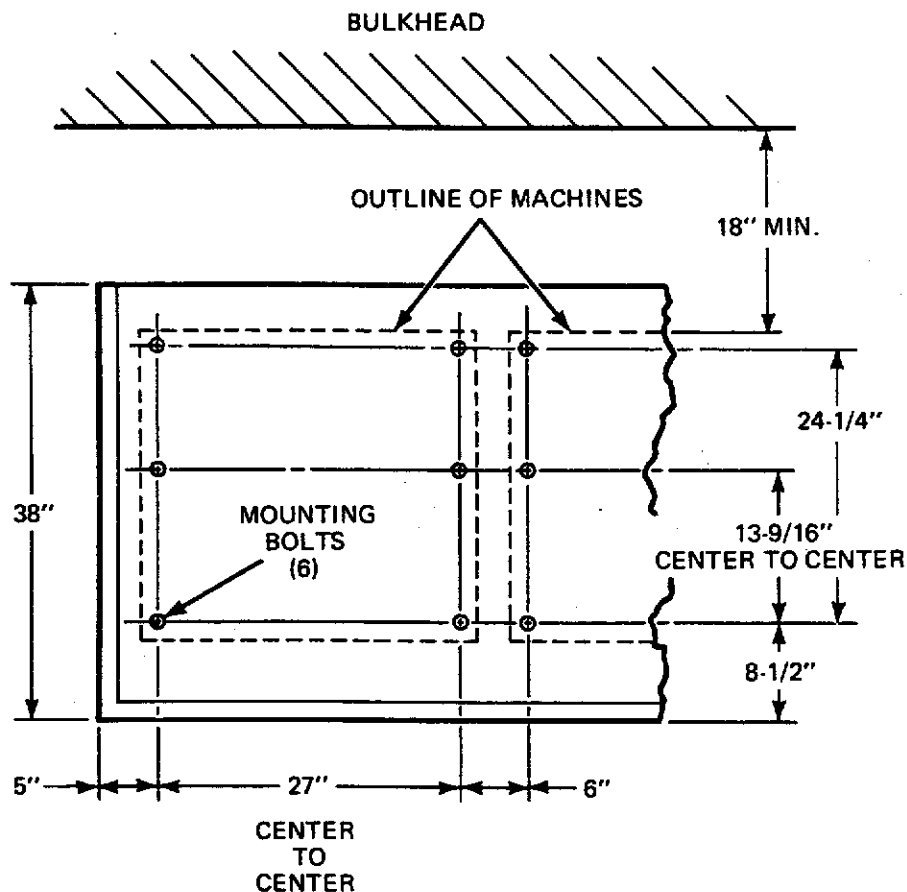


Figure 2

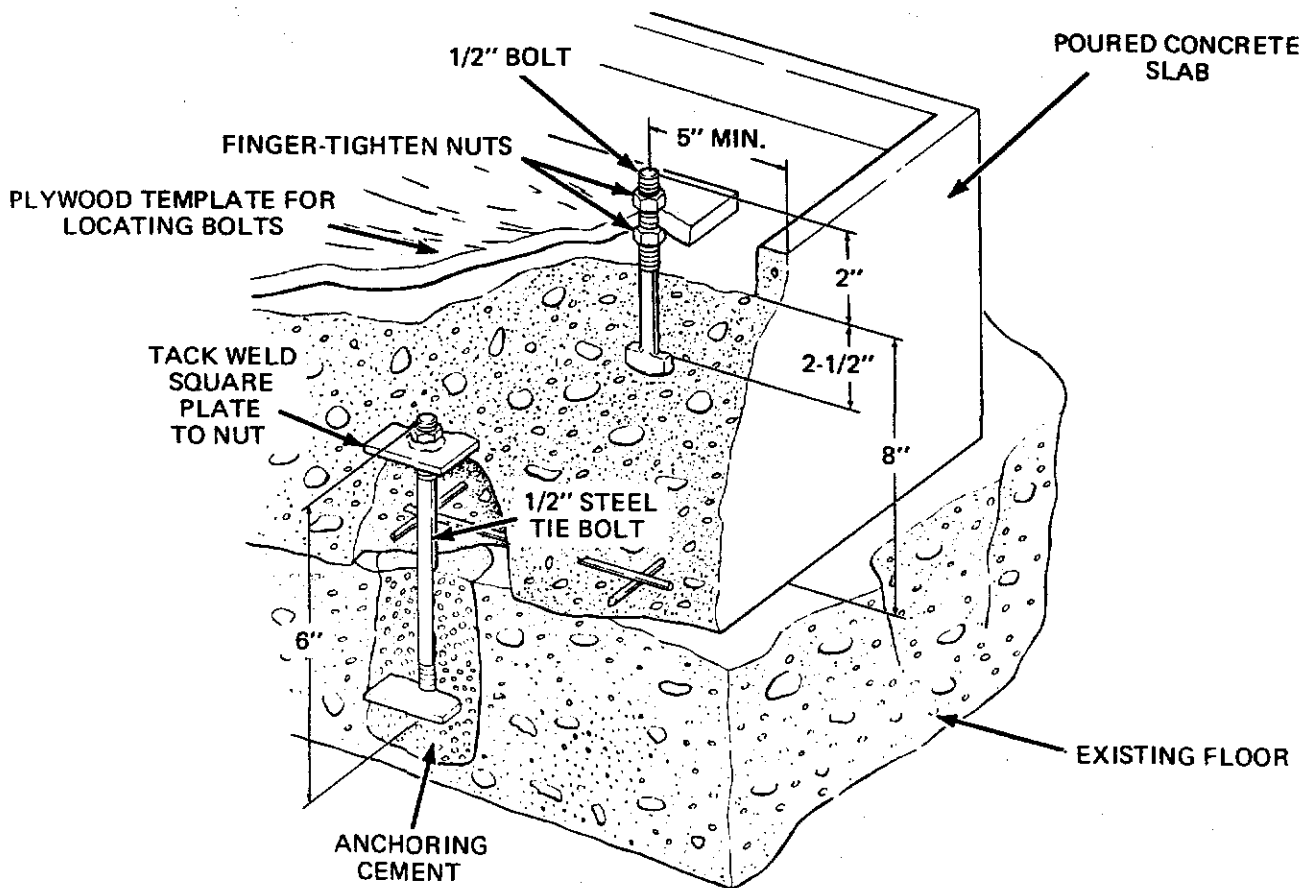


Figure 3

- i. Mark piece of 1/2 inch plywood (approximately 30" x 30") through holes marked SUPER 20 in cardboard template, and drill holes (1/2 inch diameter) in plywood.

IMPORTANT: Size of template may change with humidity. Please check dimensions before using. See Figure 2.

- j. Fasten mounting bolts to plywood template with nuts. See Figure 3.
- k. Check dimensions from bolt to bolt to assure that bolts are located properly. See Figure 2.
- l. Carefully place mounting bolts (with template attached) in wet concrete as shown in Figure 3. Level template from side to side and front to rear, making sure mounting bolts extend the length of the threads (2") from concrete.
- m. If more than one washer is being installed, mounting bolts for adjacent washers should be at least 6 inches apart. See Figure 4.
- n. Allow concrete to cure at least 5 days.

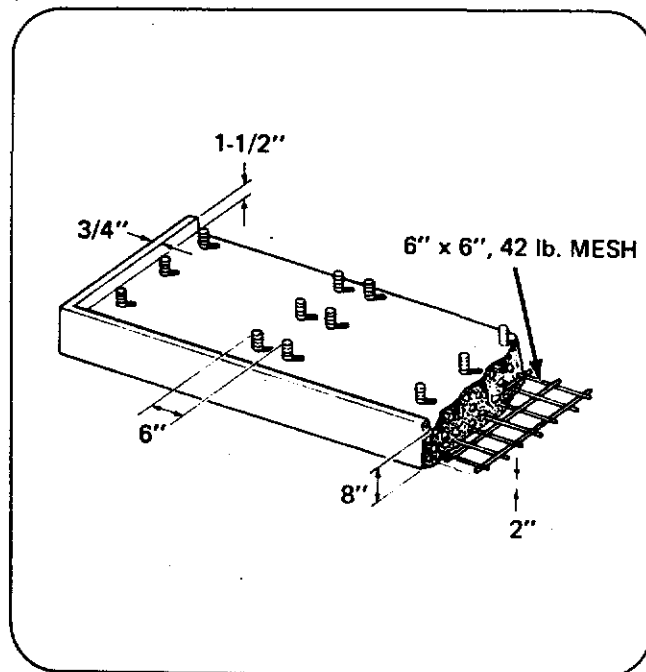


Figure 4



5. INSTALLING WASHER

- a. Remove air intake grille from front of washer and check mounting holes in base of washer to be sure they are not obstructed.
- b. Place washer over mounting bolts.
- c. Block washer up approximately 1/2 inch off floor, and pack space under outer angle of base with a grout specially formulated for wet areas.
- d. Remove blocks from under washer and position No. 20162 washers, No. 91200 lockwashers, and No. 81121 nuts and locknuts on mounting bolts as shown in *Figure 5* and tighten securely.

- e. Reinstall air intake grille, and clean up excess grout from around washer base.

IMPORTANT: Pump Models: When reinstalling air intake grille, insert end of overflow hose through hole in bottom of grille.

NOTE: Use No. 81308 Top Conversion Kit if washer is to be "built-in".

IMPORTANT: Check mounting bolt nuts after first few loads. Nuts **MUST** be kept tight.

***LOCKNUTS MUST BE USED AND TIGHTENED SECURELY.**

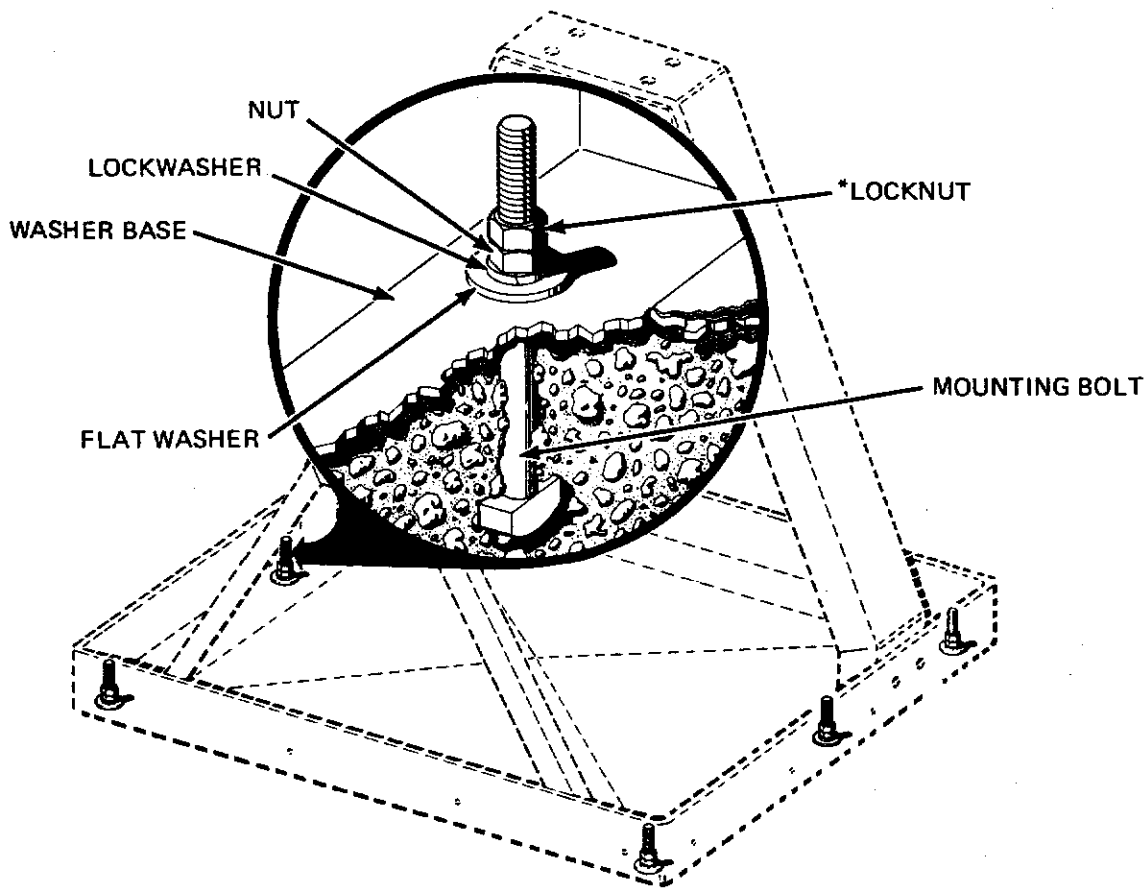


Figure 5

6. WATER INLET HOSE CONNECTIONS

Insert rubber washers (in accessories bag) in water inlet hose couplings (two hoses supplied with washer). Connect inlet hoses to water supply valves and flush lines for 3 to 5 minutes to remove foreign material from supply lines. Connect hoses to hot and cold valve connections at rear of washer.

IMPORTANT: Thread hose couplings onto valve body fingertight, then turn 1/4 turn with pliers. **DO NOT** overtighten couplings.

Install risers, *Figure 6*, in water supply pipes if they knock or pound when flow of water stops. Install risers as close as possible to the water supply valves.

7. ELECTRICAL SERVICE

IMPORTANT: **DO NOT** install washer if the electrical service is not the same as that specified on serial plate on front base of washer, or serious damage may be caused to washer.

The electrical service must be a separate, three-wire, 120/240 volt (washers are also available for 120/208 volt), 60 Hertz, single phase circuit fused with 15 ampere time delay fuses. To connect electrical service to washer (refer to *Figure 7*):

- Remove terminal block access plate from rear cross channel.
- Make certain inner nuts on terminal block are tight, then push ends of power cord or wires through hole in cross channel and fasten to terminal block posts using nuts and washers from accessories pack.
- Securely tighten outer nuts.

The electrical installation should conform to the National Electric Code and such local regulations as might apply. The method of wiring is optional and subject to local code requirements.

8. GROUNDING

If permitted by local code, install an external ground wire. Connect one end to ground screw on rear cross channel, *Figure 7*, and the other end to a suitable ground, such as a cold water pipe or as required by local code. **DO NOT GROUND WASHER TO A GAS PIPE OR HOT WATER PIPE.**

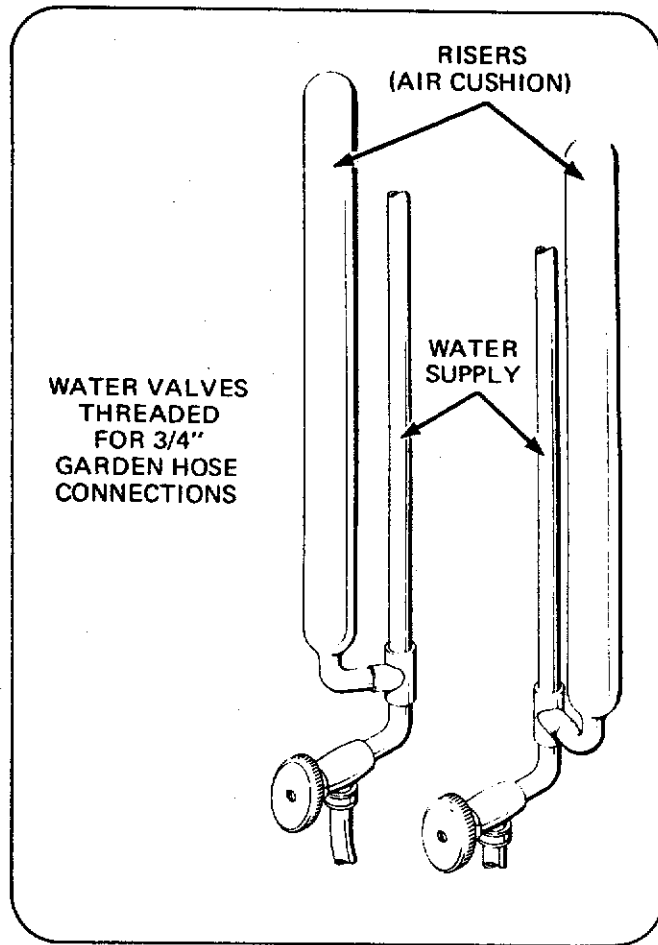


Figure 6

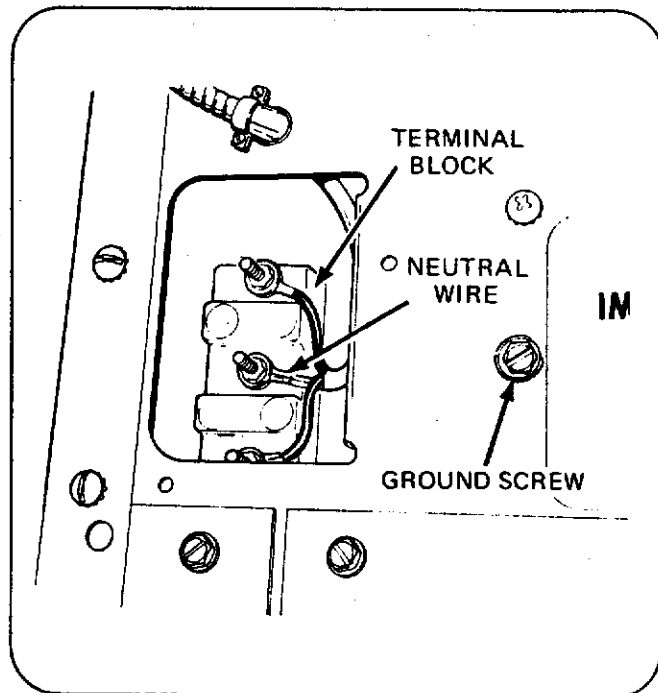


Figure 7

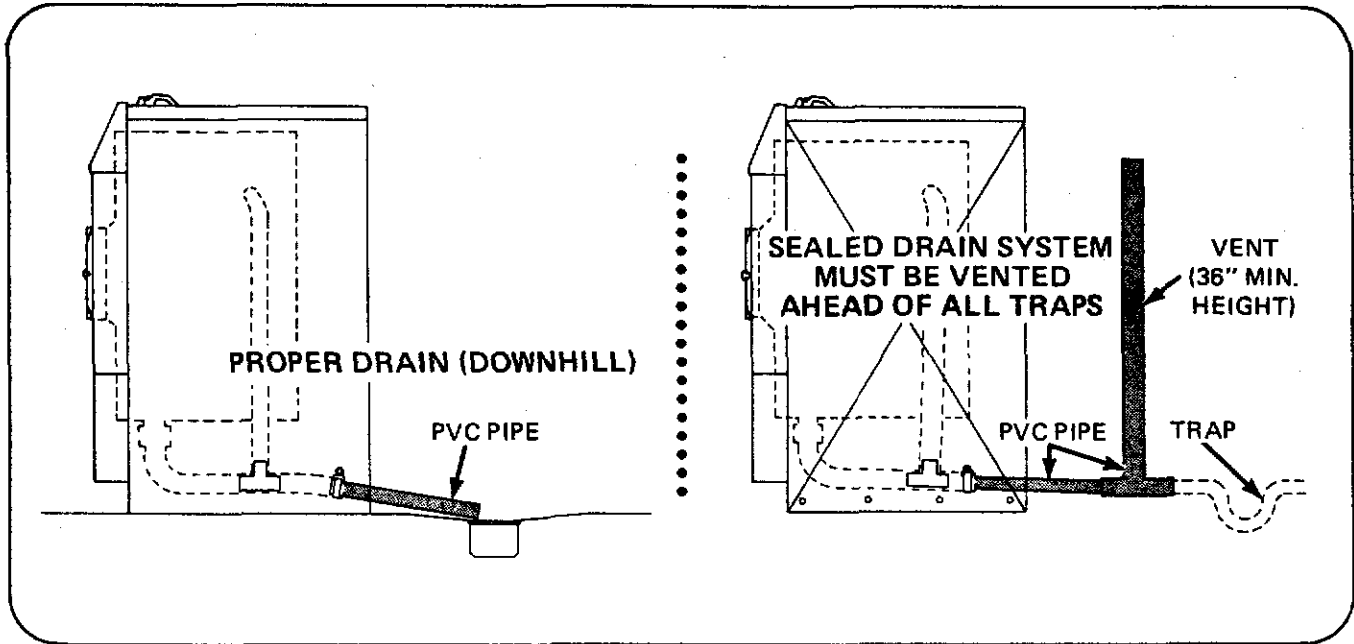


Figure 8

9. DRAIN HOSE – Gravity Drain Models

Remove rear panel. The Super 20 is equipped with a short piece of hose attached to the drain tee that will accept 1-1/2 inch drain pipe. Fasten a 1-1/2 inch PVC Schedule 40 drain pipe, which can be purchased at most hardware stores and plumbing shops, to the drain hose with hose clamp provided in accessories bag. The drain pipe must be installed to pitch downhill, *Figure 8*, for proper draining. REINSTALL REAR PANEL.

IMPORTANT: When connecting a gravity drain model to a sealed drain system, install a vent stack (1-1/2" minimum diameter) at the point where the washer drain pipe is to connect to the drain system. The vent should be 3 to 4 feet high, located as closely behind the washer as possible and must be ahead of all traps in the drain system, *Figure 8*. Observe local codes.

10. DRAIN HOSE – Pump Models

Remove rear panel and fasten drain hose securely to outlet on pump cover with hose clamp from accessories pack. REINSTALL REAR PANEL.

NOTE: If hose must be shortened to suit standpipe height, cut hose between formed end and elbow. Use sleeve and hose clamps (not supplied with washer) to connect hose after cutting. (Inside diameter of hose is $1\text{-}1/8 \pm 1/32$ inch.)

11. DRIVE BELT

Remove rear panel and check drive belt for proper belt tension. Proper tension is obtained when belt can be deflected approximately 1/2 inch from normal position when moderate pressure (5 lb.) is applied to a point midway between pulleys.

NOTE: No. 205P4, Belt Tension Meter is available to aid in making exact belt adjustments.

If adjustment is necessary, see ADJUSTMENTS section of service manual for proper procedure. REINSTALL REAR PANEL.

NOTE: The drive belt requires several cycles to achieve its permanent operating position in the pulleys. After 25 to 30 cycles, remove rear panel and recheck belt tension. REINSTALL REAR PANEL.

IMPORTANT

Rear panel **MUST** be installed before operating Super 20. The rear panel keeps dust and dirt from accumulating on the motor and adds rigidity to the structure of the washer.

2. DAILY MAINTENANCE

Wipe control panel, washer cabinet, and inside of clothes cylinder using a clean cloth dampened with clear water **ONLY**.

3. WEEKLY MAINTENANCE

- a. Open dispenser door, *Figure 9*, and check ribs of dispenser boot for detergent build-up. To clean dispenser boot area, fill a small-necked glass jug with the hottest available tap water. Tip jug straight upside-down directly over the dispenser opening allowing the hot water to "glug" out onto the dispenser boot dissolving and washing away crusted detergent.
- b. Remove button trap and clean if necessary. *Figure 10* shows location of button trap behind air intake grille. When reinstalling button trap, be sure frame is in place and tightened securely to prevent a water leak.

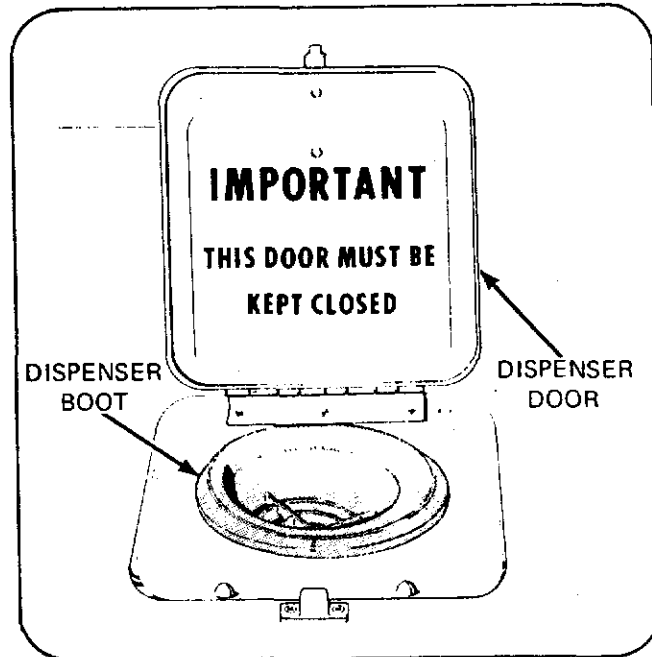


Figure 9

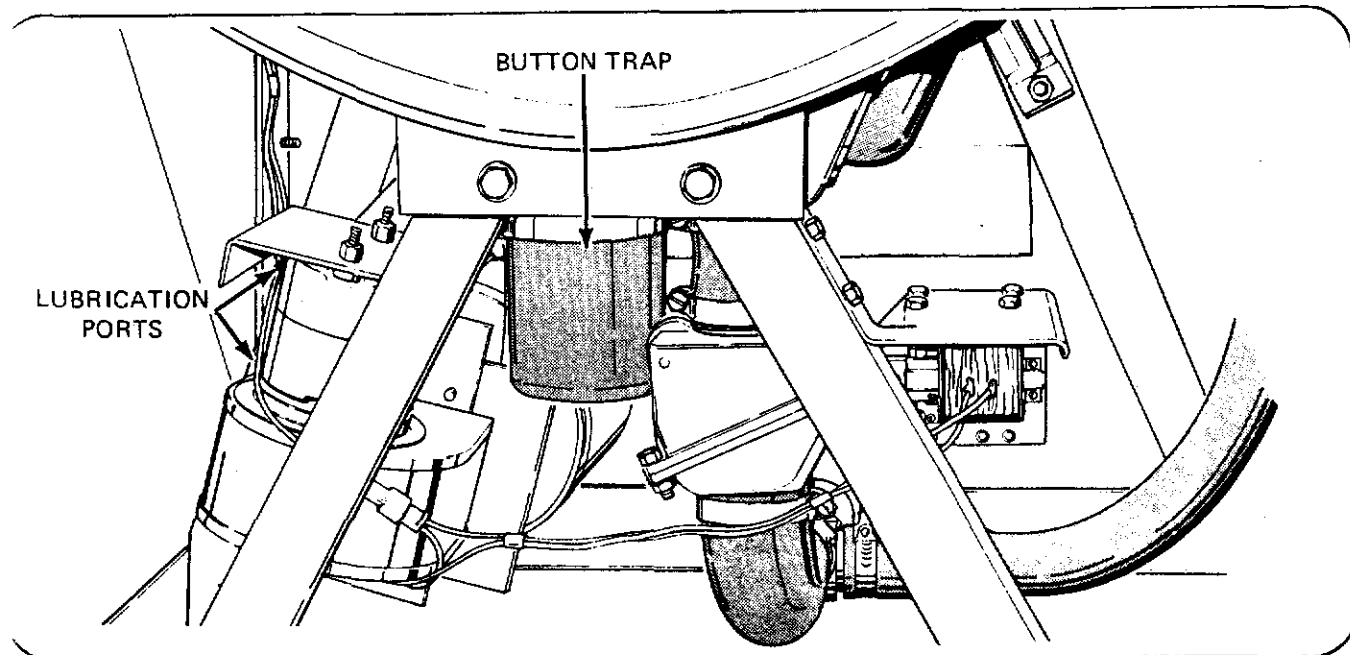


Figure 10

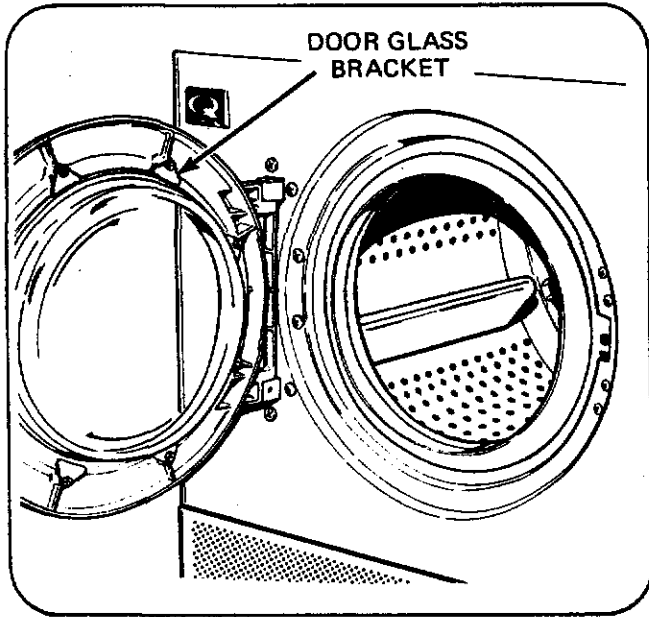


Figure 11

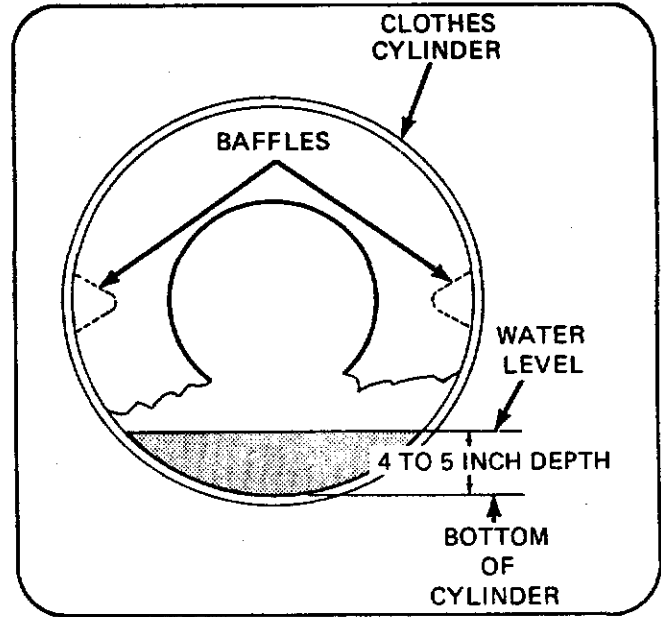


Figure 12

- c. Check pump, hoses, drain valve and outer tub for leaks.
- d. Check washer mounting nuts — tighten if loose.

14. PERIODIC MAINTENANCE

- a. Check the door glass bracket screws periodically and tighten if necessary, *Figure 11*.
- b. Check water mixing valve screens for sediment accumulation — clean or replace if necessary.
- c. Check drive belt for cracks or wear. Check belt tension and adjust if necessary. (See ADJUSTMENTS section of service manual.)
- d. Check water level in cylinder, *Figure 12*, and adjust pressure switch if necessary. (See ADJUSTMENTS section of service manual.) At the end of the fill portion, water depth in the cylinder should be approximately 4-1/2". (Measure water depth with no clothes in cylinder.)
- e. Lubricate blower motor with Speed Queen No. 20605 Hi-Temp Lube. (See *Figure 10* for location of lubrication ports.) Do not over-lubricate.

NOTE: By using an inexpensive syringe filled with lubricant, the needle end can be inserted into the lubrication parts and lubricant can be dispensed directly into the felt wicks.

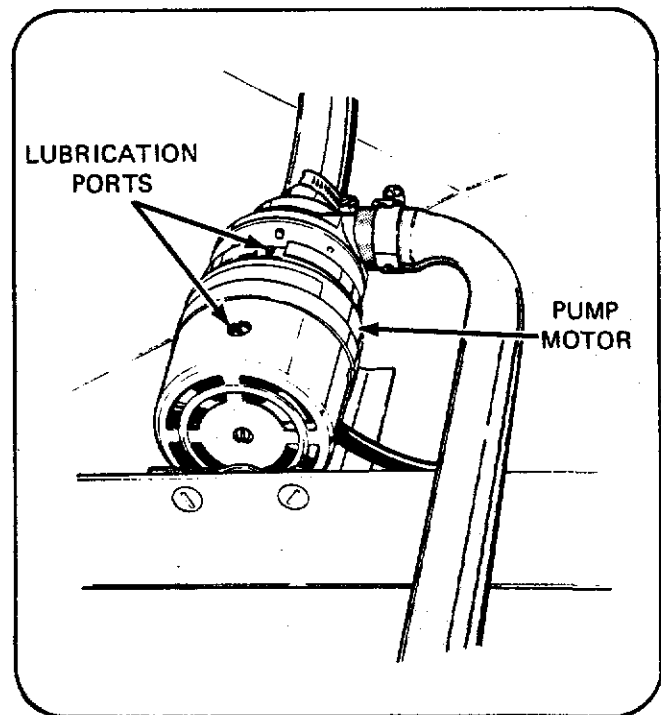


Figure 13

- f. Lubricate pump motor with Speed Queen No. 20605 Hi-Temp Lube. (See *Figure 13* for location of lubrication ports.) Do not over-lubricate.

