

Instructions for use

WASHER-DRYER

GB

English,1

NL

Nederlands,13

DE

Deutsch,25

WIDL 146

Contents

Installation, 2-3

Unpacking and levelling, 2
Electric and water connections, 2-3
The first wash cycle, 3
Technical details, 3

Washer-dryer description, 4-5

Control panel, 4
Leds, 5

Starting and Programmes, 6

Briefly: how to start a programme, 6
Programme table, 6

Personalisations, 7

Setting the temperature, 7
Setting the drying cycle, 7
Functions, 7

Detergents and laundry, 8

Detergent dispenser, 8
Preparing your laundry, 8
Special items, 8

Precautions and advice, 9

General safety, 9
Disposal, 9
Saving energy and respecting the environment, 9

Care and maintenance, 10

Cutting off the water or electricity supply, 10
Cleaning your appliance, 10
Cleaning the detergent dispenser, 10
Caring for your appliance door and drum, 10
Cleaning the pump, 10
Checking the water inlet hose, 10

Troubleshooting, 11

Service, 12

Before calling for Assistance, 12

GB

Installation

GB

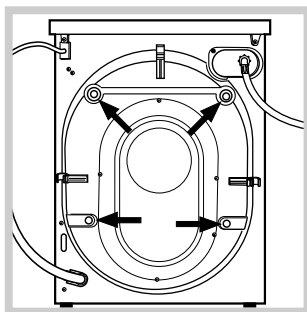
! Keep this instruction manual in a safe place for future reference. Should the appliance be sold, transferred or moved, make sure the instruction manual accompanies the Washer-dryer to inform the new owner as to its operation and features.

! Read these instructions carefully: they contain vital information on installation, use and safety.

Unpacking and levelling

Unpacking

1. Unpack the Washer-dryer.
2. Check whether the Washer-dryer has been damaged during transport. If this is the case, do not install it and contact your retailer.



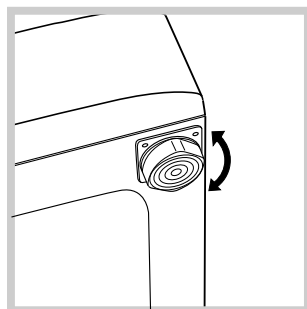
3. Remove the four protective screws and the rubber washer with the respective spacer, situated on the rear of the appliance (see figure).

4. Seal the gaps using the plastic plugs provided.
5. Keep all the parts: you will need them again if the Washer-dryer needs to be moved to another location.

! Packaging materials are not children's toys.

Levelling

1. Install the Washer-dryer on a flat sturdy floor, without resting it up against walls, furniture cabinets or other.

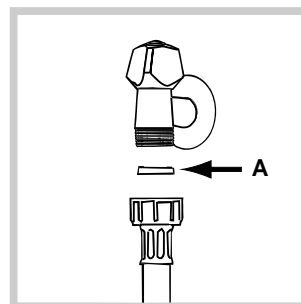


2. If the floor is not perfectly level, compensate for any unevenness by tightening or loosening the adjustable front feet (see figure); the angle of inclination, measured according to the worktop, must not exceed 2°.

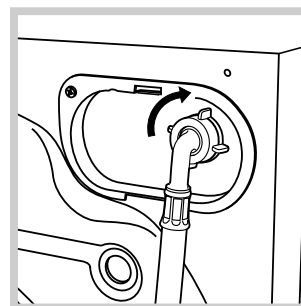
Levelling your appliance correctly will provide it with stability and avoid any vibrations, noise and shifting during operation. If it is placed on a fitted or loose carpet, adjust the feet in such a way as to allow enough room for ventilation beneath the Washer-dryer.

Electric and water connections

Connecting the water inlet hose



1. Insert seal A into the end of the inlet hose and screw the latter onto a cold water tap with a 3/4 gas threaded mouth (see figure). Before making the connection, allow the water to run freely until it is perfectly clear.



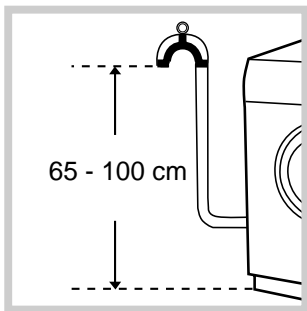
2. Connect the other end of the water inlet hose to the Washer-dryer, screwing it onto the appliance's cold water inlet, situated on the top right-hand side on the rear of the appliance (see figure).

3. Make sure there are no kinks or bends in the hose.

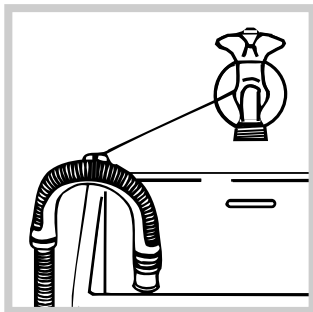
! The water pressure at the tap must be within the values indicated in the Technical details table (on the next page).

! If the water inlet hose is not long enough, contact a specialist store or an authorised serviceman.

Connecting the drain hose



Connect the drain hose, without bending it, to a draining duct or a wall drain situated between 65 and 100 cm from the floor;



alternatively, place it over the edge of a basin, sink or tub, fastening the duct supplied to the tap (see figure). The free end of the hose should not be underwater.

! We advise against the use of hose extensions; in case of absolute need, the extension must have the same diameter as the original hose and must not exceed 150 cm in length.

Electric connection

Before plugging the appliance into the mains socket, make sure that:

- the socket is earthed and in compliance with the applicable law;
- the socket is able to sustain the appliance's maximum power load indicated in the Technical details table (*on the right*);
- the supply voltage is included within the values indicated on the Technical details table (*on the right*);
- the socket is compatible with the washing machine's plug. If this is not the case, replace the socket or the plug.

! The washing machine should not be installed in an outdoor environment, not even when the area is sheltered, because it may be very dangerous to leave it exposed to rain and thunderstorms.

! When the washing machine is installed, the mains socket must be within easy reach.

! Do not use extensions or multiple sockets.

! The power supply cable must never be bent or dangerously compressed.

! The power supply cable must only be replaced by an authorised serviceman.

Warning! The company denies all liability if and when these norms are not respected.

The first wash cycle

Once the appliance has been installed, and before you use it for the first time, run a wash cycle with detergent and no laundry, setting the 90°C programme without a pre-wash cycle.

Technical details

Model	WIDL 146
Dimensions	59.5 cm wide 85 cm high 53.5 cm deep
Capacity	from 1 to 5 kg for the wash programme; from 1 to 4 kg for the drying programme
Electric connections	voltage 220/230 Volts 50 Hz maximum absorbed power 1850 W
Water connections	maximum pressure 1 MPa (10 bar) minimum pressure 0.05 MPa (0.5 bar) drum capacity 46 litres
Spin speed	up to 1400 rpm
Control programmes according to IEC456 directive	Wash: programme 2; temperature 60°C; run with a load of 5 kg. Drying: first drying cycle performed with a 1 kg load, by selecting a drying time of 40 min; Second drying cycle performed with a 4 kg load and the DRYING knob on the setting.
	This appliance is compliant with the following European Community Directives: - 73/23/CEE of 19/02/73 (Low Voltage) and subsequent amendments - 89/336/CEE of 03/05/89 (Electromagnetic Compatibility) and subsequent amendments - 2002/96/CE

GB

Installation

Description

Programmes

Detergents

Precautions

Care

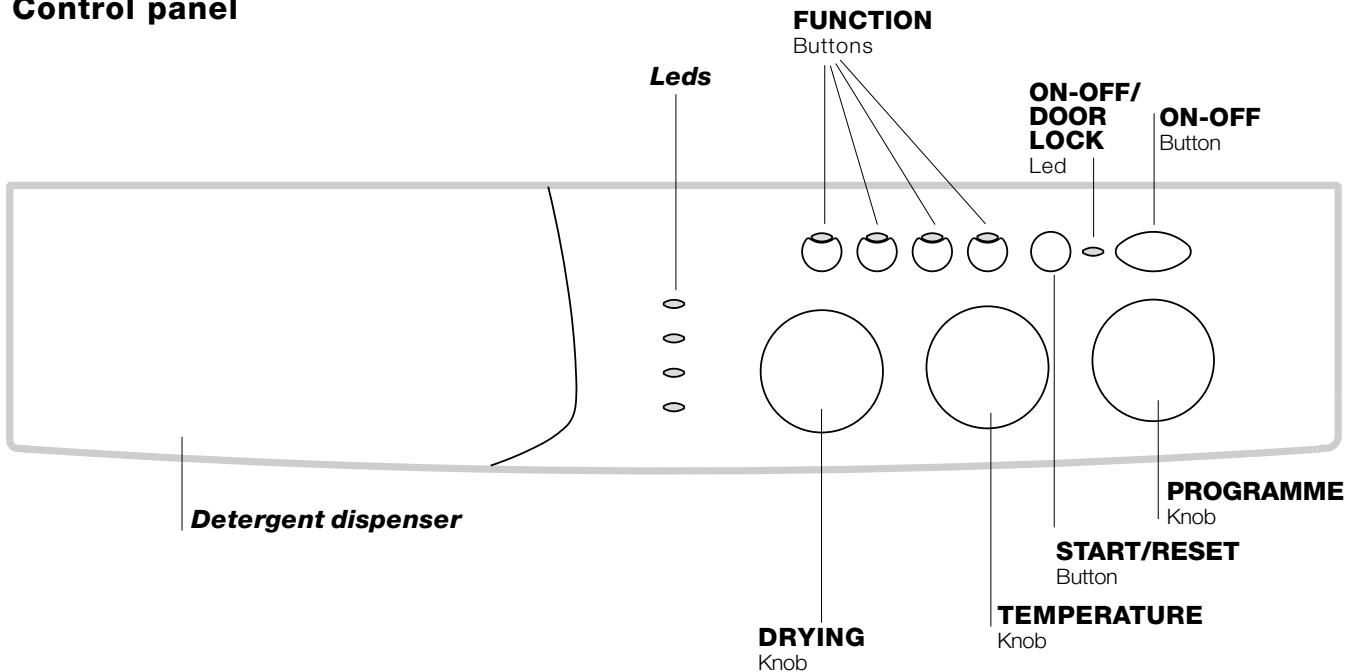
Troubleshooting

Service

Washer-dryer description

GB

Control panel



Detergent dispenser: to add detergent and fabric softener (see page 8).

LEDS: to find out which wash cycle phase is under way.

If the Delay Timer function has been set, the time left until the programme starts will be indicated (see page 5).

DRYING knob: to set the desired drying cycle (see page 7).

FUNCTION buttons: to select the functions available. The button corresponding to the function selected will remain on.

TEMPERATURE knob: to set the temperature or the cold wash cycle (see page 7).

START/RESET button: to start the programmes or cancel any incorrect settings.

ON-OFF/DOOR LOCK Led: to find out whether the Washer-dryer is on and if the appliance door can be opened (see page 5).

ON/OFF button: to turn the Washer-dryer on and off.

PROGRAMME knob: to select the wash programmes. The knob stays still during the cycle.

Leds

The LEDS provide important information. This is what they can tell you:

Delay set:

If the Delay Timer function has been enabled (see page. 7), once you have started the programme, the LED corresponding to the delay set will begin to flash:



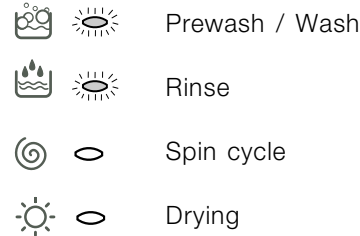
As time passes, the remaining delay will be displayed, and the corresponding LED will flash:



Once the set delay is complete, the flashing LED will turn off and the programme set will start.


Cycle phase under way:

During the wash cycle, the LEDs gradually illuminate on to indicate the cycle phase under way:



Note:

- during draining, the LED corresponding to the Spin cycle phase will be turned on.

- when the drying cycle is complete, the indicator light relative to phase  will flash, to indicate that the DRYING knob needs to be set back to the 0 setting.

Function buttons

The FUNCTION BUTTONS also act like LEDS. When a function is selected, the corresponding button is illuminated.

If the function selected is incompatible with the programme set, the button will flash and the function will not be enabled.

If you set a function that is incompatible with another function you selected previously, only the last one selected will be enabled.

ON-OFF/DOOR LOCK led:

If this LED is on, the appliance door is locked to prevent it from being opened accidentally; to avoid any damages, wait for the LED to flash before you open the appliance door.

! The rapid flashing of the ON-OFF/DOOR LOCK Led together with the flashing of at least one other LED indicates there is an abnormality. Call for Technical Assistance.

GB

Installation

Description

Programmes

Detergents

Precautions

Care


Troubleshooting

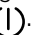
Service

Starting and Programmes




GB

Briefly: starting a programme

1. Switch the Washer-dryer on by pressing button . All the LEDs will light up for a few seconds and the ON-OFF/DOOR LOCK Led will begin to flash.
2. Load your laundry into the washing machine and shut the appliance door.
3. Set the PROGRAMME knob to the programme required.
4. Set the wash temperature (see page 7).
5. Set the drying cycle if necessary (see page 7).

6. Add the detergent and any fabric softener (see page 8).
7. Start the programme by pressing the START/RESET button.
To cancel it, keep the START/RESET button pressed for at least 2 seconds.
8. When the programme is finished, the ON-OFF/DOOR LOCK Led will flash to indicate that the appliance door can be opened. Take out your laundry and leave the appliance door ajar to allow the drum to dry thoroughly. Turn the Washer-dryer off by pressing button .

Programme table

Type of fabric and degree of soil	Program.	Temperature	Drying Cycle	Detergent		Fabric softener	Cycle length (minutes)	Description of wash cycle
				pre-wash	wash			
Standard								
Extremely soiled whites (sheets, tablecloths, etc.)	1	90°C	•	•	•	•	135	Pre-wash, wash cycle, rinse cycles, intermediate and final spin cycles
Extremely soiled whites (sheets, tablecloths, etc.)	2	90°C	•		•	•	125	Wash cycle, rinse cycles, intermediate and final spin cycles
Heavily soiled whites and fast colours	2	60°C	•		•	•	110	Wash cycle, rinse cycles, intermediate and final spin cycles
Heavily soiled whites and delicate colours	2	40°C	•		•	•	105	Wash cycle, rinse cycles, intermediate and final spin cycles
Slightly soiled whites and delicate colours (shirts, jumpers, etc.)	3	40°C	•		•	•	70	Wash cycle, rinse cycles, intermediate and final spin cycles
Heavily soiled fast colours (baby linen, etc.)	4	60°C	•		•	•	75	Wash cycle, rinse cycles, anti-crease or delicate spin cycle
Heavily soiled fast colours (baby linen, etc.)	4	40°C	•		•	•	60	Wash cycle, rinse cycles, anti-crease or delicate spin cycle
Wool	5	40°C			•	•	50	Wash cycle, rinse cycles anti-crease or delicate spin cycle
Very delicate fabrics (curtains, silk, viscose, etc.)	6	30°C			•	•	45	Wash cycle, rinse cycles, anti-crease or draining cycle
Drying cotton	7		•					
Drying delicates	8		•					
Time 4 you								
Heavily soiled whites and fast colours	9	60°C			•	•	60	Wash cycle, rinse cycles, intermediate and final spin cycles
Delicate colours (all types of slightly soiled garments)	10	40°C			•	•	40	Wash cycle, rinse cycles, delicate spin cycle
Delicate colours (all types of slightly soiled garments)	11	30°C	•		•	•	30	Wash cycle, rinse cycles and delicate spin cycle
Sport								
Sports shoes (MAX. 2 pairs)	12	30°C			•	•	50	Cold wash (without detergents), wash cycle, rinse cycles, and delicate spin cycle
Fabrics for sportswear (Tracksuits, shorts, etc.)	13	30°C			•	•	60	Wash cycle, rinse cycles, intermediate and final spin cycles
PARTIAL PROGRAMMES								
Rinse			•			•		Rinse cycles and spin cycle
Spin cycle			•					Draining and spin cycle
Drain								Drain

Notes

- For programme 9, we advise against exceeding a wash load of 3.5 kg.
- For programme 13 we advise against exceeding a wash load of 2 kg.
- For the anti-crease function: see Easy iron, *opposite page*. The information contained in the table is purely indicative.

Special programme

Daily (programme 11 for Synthetics) is designed to wash lightly soiled garments in a short amount of time: it only lasts 30 minutes and allows you to save on both time and energy. By setting this programme (11 at 30°C), you can wash different fabrics together (except for woollen and silk items), with a maximum load of 3 kg.
We recommend the use of liquid detergent.

Setting the temperature

Turn the TEMPERATURE knob to set the wash temperature (see Programme table on page 6).
The temperature can be lowered, or even set to a cold wash (❄).

Set the drying cycle

Turn the DRYING knob to set the desired drying type.
Two options are available:

A - Based on time: From 40 minutes to 150.

B - Based on the damp level of the dry clothes:

Iron : slightly damp clothes, easy to iron.

Hanger : dry clothes to put away.

Cupboard : very dry clothes, recommended for towelling and bathrobes.

A cooling stage is foreseen at the end of the drying cycle.

If your laundry load to wash and dry is exceptionally in excess of the maximum load foreseen (see table opposite), perform the wash cycle, and when the programme is complete, divide up the garments and put part of them back in the drum. Now follow the instructions provided for a **dry only** cycle. Repeat this procedure for the remainder of the load.

Dry only

Turn the PROGRAMME knob to one of the drying settings (7-8) depending on the type of fabric, then select the desired drying type using the DRYING knob.

Important: - A spin cycle is carried out during the drying if you have set a cotton programme and a level of dryness (Cupboard , Hanger , Iron).

- For cotton loads of less than 1 Kg, use the drying programme designed for delicate fabrics.

Functions

To enable a function:

- press the button corresponding to the desired function, according to the table below;
- the function is enabled when the corresponding button is illuminated.

Note: The rapid flashing of the button indicates that the corresponding function cannot be selected for the programme set.

Function	Effect	Comments	Enabled with programmes:
Delay Timer	Delays the start of the wash by up to 9 hours.	Press the button repeatedly until the LED corresponding to the desired delay is turned on. The fifth time the button is pressed, the function will be disabled. N.B.: Once you have pressed the Start/Reset button, the delay can only be decreased if you wish to modify it.	All
Easy iron	This option reduces the amount of creasing on fabrics, making them easier to iron.	When this function is set, programmes 4, 5, 6 will end with the laundry left to soak (Anti-crease) and the Rinse cycle phase LED will flash. - to conclude the cycle, press the START/RESET button; - to run the draining cycle alone, set the knob to the relative symbol and press the START/RESET button.	3, 4, 5, 6, 9, 10, Rinse cycle.
Extra Rinse	Increases the efficiency of the rinse.	Recommended when the appliance has a full load or with large quantities of detergent.	1, 2, 3, 4, 9, 10, 12, 13, Rinse cycle.
1400-600	Reduces the spin speed.		All programmes except for 6 and draining.

Table of drying times

The data contained in the table are purely indicative.

Fabric type	Load type	Max. load (kg)	Cup-board	Hanger	Iron
Cotton, Linen	Clothing of different sizes	4	130	120	110
Cotton	Terry towels	4	130	120	110
Terital, Cotton	Sheets, Shirts	2,5	90	80	70
Acrylics	Pyjamas, socks, etc.	1	65	60	60
Nylon	Slips, tights, stockings, etc.	1	65	60	60

GB

Installation

Description

Programmes

Detergents

Precautions

Care

Troubleshooting

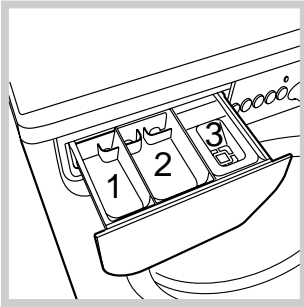
Service

Detergents and laundry

GB

Detergent dispenser

Good washing results also depend on the correct dose of detergent: adding too much detergent won't necessarily make for a more efficient wash, and may in fact cause build up on the interior of your appliance and even pollute the environment.



Open up the detergent dispenser and pour in the detergent and fabric softener, as follows.

compartment 1: Detergent for pre-wash (powder)

compartment 2: Detergent for the wash cycle (powder or liquid)

Liquid detergent should only be poured in immediately prior to the wash cycle start.

compartment 3: Additives (fabric softeners, etc.)

The fabric softener should not overflow from the grid.

! Do not use hand wash detergent because it may form too much foam.

Preparing your laundry

- Divide your laundry according to:
 - the type of fabric/the symbol on the label.
 - the colours: separate coloured garments from whites.
- Empty all pockets and check for loose buttons.
- Do not exceed the weight limits stated below, which refer to the weight when dry:
 - Sturdy fabrics: max 5 kg
 - Synthetic fabrics: max 2.5 kg
 - Delicate fabrics: max 2 kg
 - Wool: max 1 kg

How much does your laundry weigh?

- 1 sheet 400-500 g
- 1 pillow case 150-200 g
- 1 tablecloth 400-500 g
- 1 bathrobe 900-1,200 g
- 1 towel 150-250 g

Special items

Curtains: fold curtains and place them in a pillow case or mesh bag. Wash them separately without exceeding half the appliance load. Use programme 6 which excludes the spin cycle automatically.

Quilted coats and windbreakers: if they are padded with goose or duck down, they can be machine-washed. Turn the garments inside out and load a maximum of 2-3 kg, repeating the rinse cycle once or twice and using the delicate spin cycle.

Wool: for best results, use a specific detergent, taking care not to exceed a load of 1 kg.

! The Washer-dryer was designed and built in compliance with the applicable international safety regulations. The following information is provided for your safety and should consequently be read carefully.

General safety

- This appliance has been designed for non-professional, household use and its functions must not be changed.
- This washing machine should only be used by adults and in accordance with the instructions provided in this manual.
- Never touch the washing machine when barefoot or with wet or damp hands or feet.
- Do not pull on the power supply cable to unplug the appliance from the electricity socket. Pull the plug out yourself.
- Do not open the detergent dispenser while the appliance is in operation.
- Do not touch the drain water as it could reach very high temperatures.
- Never force the washing machine door: this could damage the safety lock mechanism designed to prevent any accidental openings.
- In the event of a malfunction, do not under any circumstances touch internal parts in order to attempt repairs.
- Always keep children well away from the appliance while in operation.
- The appliance door tends to get quite hot during the wash cycle.
- Should it have to be moved, proceed with the help of two or three people and handle it with the utmost care. Never try to do this alone, because the appliance is very heavy.
- Before loading your laundry into the washing machine, make sure the drum is empty.
- During the drying phase, the door tends to get quite hot.
- Do not use the appliance to dry clothes that have been washed with flammable solvents (e.g. trichlorethylene).
- Do not use the appliance to dry foam rubber or similar elastomers.
- Make sure that the water tap is turned on during the drying cycles.
- This washer-dryer can only be used to dry clothes which have been pre-washed in water.

Disposal

- Disposing of the packaging material: observe local regulations, so the packaging can be re-used.
- The European Directive 2002/96/EC on Waste Electrical and Electronic Equipment, requires that

old household electrical appliances must not be disposed of in the normal unsorted municipal waste stream. Old appliances must be collected separately in order to optimise the recovery and recycling of the materials they contain and reduce the impact on human health and the environment. The crossed out "wheeled bin" symbol on the product reminds you of your obligation, that when you dispose of the appliance it must be separately collected.

Consumers should contact their local authority or retailer for information concerning the correct disposal of their old appliance.

Saving energy and respecting the environment

Environmentally-friendly technology

If you only see a little water through your appliance door, this is because thanks to the latest Indesit technology, your washing machine only needs less than half the amount of water to get the best results: an objective reached to respect the environment.

Saving on detergent, water, energy and time

- To avoid wasting resources, the Washer-dryer should be used with a full load. A full load instead of two half loads allows you to save up to 50% on energy.
- The pre-wash cycle is only necessary on extremely soiled garments. Avoiding it will save on detergent, time, water and between 5 and 15% energy.
- Treating stains with a stain remover or leaving them to soak before washing will cut down the need to wash them at high temperatures. A programme at 60°C instead of 90°C or one at 40°C instead of 60°C will save up to 50% on energy.
- Use the correct quantity of detergent depending on the water hardness, how soiled the garments are and the amount of laundry you have, to avoid wastage and to protect the environment: despite being biodegradable, detergents do contain ingredients that alter the natural balance of the environment. In addition, avoid using fabric softener as much as possible.
- If you use your washing machine from late in the afternoon until the early hours of the morning, you will help reduce the electricity board's peak load. The Delay Timer option (see page 7) helps to organise your wash cycles accordingly.
- If your laundry has to be dried in a tumble dryer, select a high spin speed. Having the least water possible in your laundry will save you time and energy in the drying process.

GB

Installation

Description

Programmes

Detergents

Precautions

Care

Troubleshooting

Service

Care and maintenance

GB

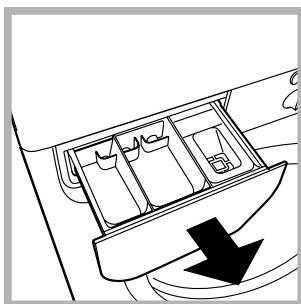
Cutting off the water or electricity supply

- Turn off the water tap after every wash. This will limit the wear of your appliance's water system and also prevent leaks.
- Unplug your appliance when cleaning it and during all maintenance operations.

Cleaning your appliance

The exterior and rubber parts of your appliance can be cleaned with a soft cloth soaked in lukewarm soapy water. Do not use solvents or abrasives.

Cleaning the detergent dispenser



Remove the dispenser by raising it and pulling it out (see figure). Wash it under running water; this operation should be repeated frequently.

Caring for your appliance door and drum

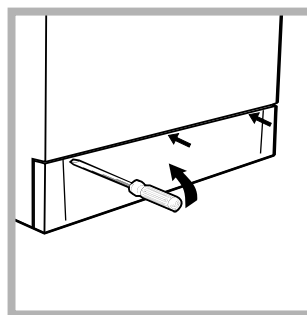
- Always leave the appliance door ajar to prevent unpleasant odours from forming.

Cleaning the pump

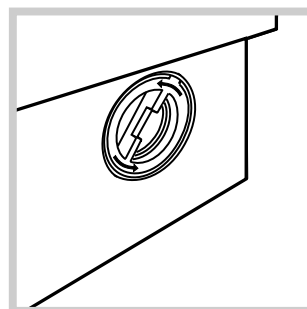
The Washer-dryer is fitted with a self-cleaning pump that does not require any maintenance. Sometimes, small items (such as coins or buttons) may fall into the pre-chamber that protects the pump, situated in the lower part of the same.

! Make sure the wash cycle has ended and unplug the appliance.

To access the pre-chamber:



1. using a screwdriver, remove the cover panel on the lower front of the Washer-dryer (see figure);



2. unscrew the lid rotating it anti-clockwise (see figure): a little water may trickle out. This is perfectly normal;

3. clean the interior thoroughly;
4. screw the lid back on;
5. reposition the panel, making sure the hooks are securely in place before you push it onto the appliance.

Checking the water inlet hose

Check the water inlet hose at least once a year. If you see any cracks, replace it immediately: during the wash cycles, water pressure is very strong and a cracked hose could easily split open.

! Never use hoses that have already been used.

Your Washer-dryer could fail to work. Before calling for Assistance (see page 12), make sure the problem can't easily be solved by consulting the following list.


Problem

Possible causes/Solution:

The washer-dryer won't start.

- The appliance is not plugged into the socket, or not enough to make contact.
- There has been a power failure.

The wash cycle won't start.

- The appliance door is not shut properly.
- The  button has not been pressed.
- The START/RESET button has not been pressed.
- The water tap is not turned on.
- A delayed start has been set (using the Delay Timer, see page 7).

The washer-dryer fails to load water.

- The water inlet hose is not connected to the tap.
- The hose is bent.
- The water tap is not turned on.
- There is a water shortage.
- The water pressure is insufficient.
- The START/RESET button has not been pressed.

The washer-dryer continuously loads and unloads water.

- The drain hose is not fitted between 65 and 100 cm from the floor (see page 3).
 - The free end of the hose is underwater (see page 3).
 - The wall drainage system doesn't have a breather pipe.
- If the problem persists even after these checks, turn off the water tap, switch the appliance off and call for Assistance. If the dwelling is on one of the upper floors of a building, there may be drain trap problems causing the Washer-dryer to load and unload water continuously. In order to avoid such an inconvenience, special anti-drain trap valves are available in shops.

The washer-dryer does not drain or spin.

- The programme does not foresee the draining: some programmes require enabling the draining manually (see page 6).
- The Easy iron option is enabled: to complete the programme, press the START/RESET button (see page 7).
- The drain hose is bent (see page 3).
- The drain duct is clogged.

The washer-dryer vibrates too much during the spin cycle.

- The drum was not unblocked correctly during installation (see page 2).
- The Washer-dryer is not level (see page 2).
- The Washer-dryer is closed in between furniture cabinets and the wall (see page 2).

The washer-dryer leaks.

- The water inlet hose is not screwed on correctly (see page 2).
- The detergent dispenser is obstructed (to clean it, see page 10).
- The drain hose is not secured properly (see page 3).

The ON-OFF/DOOR LOCK Led flashes rapidly at the same time as at least one other LED.

- Call for Assistance because this means there is an abnormality.

There is too much foam.

- The detergent is not suitable for machine washing (it should bear the definition "for washing machines" or "hand and machine wash", or the like).
- You used too much detergent.

The washer-dryer does not dry.

- The appliance is not plugged into the socket, or not enough to make contact.
- There has been a power failure.
- The appliance door is not shut properly.
- A delayed start has been set (using the Delay Timer, see page 7).
- the DRYING knob is on the **0** setting.

GB

Installation

Description

Programmes

Detergents

Precautions

Care

Troubleshooting

Service

Service

GB

Before calling for Assistance:

- Check whether you can solve the problem on your own (*see page 11*);
- Restart the programme to check whether the problem has been solved;
- If this is not the case, contact an authorised Technical Service Centre on the telephone number provided on the guarantee certificate.

! Always request the assistance of authorised servicemen.

Notify the operator of:

- the type of problem;
- the appliance model (Mod.);
- the serial number (S/N).

This information can be found on the data plate situated on the rear of the washer-dryer.

Instructies voor het gebruik

WASDROOGMACHINE

NL

NL

Nederlands

WIDL 146

Inhoud

Installatie, 14-15

Uitpakken en waterpas zetten, 14
Water- en elektrische aansluiting, 14-15
Eerste wasprogramma, 15
Technische gegevens, 15

Beschrijving van de wasdroog- machine, 16-17

Bedieningspaneel, 16
Controlelampjes, 17

Start en programma's, 18

In het kort: een programma starten, 18
Tabel van de programma's, 18

Persoonlijk instellen, 19

Instellen van de temperatuur, 19
Instellen van het drogen, 19
Functies, 19

Wasmiddel en wasgoed, 20

Wasmiddellaatje, 20
Prepareren van het wasgoed, 20
Speciale stukken, 20

Voorzorgsmaatregelen en raadgevin- gen, 21

Algemene veiligheid, 21
Het afvoeren, 21
Bezuiniging en bescherming van het milieu, 21

Onderhoud, 22

Afsluiten van water en stroom, 22
Schoonmaken van de wasdroogmachine, 22
Het wasmiddellaatje schoonmaken, 22
Reinigen van deur en trommel, 22
Reinigen van de pomp, 22
Controleer de slang van de watertoevoer, 22

Storingen en oplossingen, 23

Service, 24

Voordat u er de installateur bijhaalt, 24

Installatie

NL

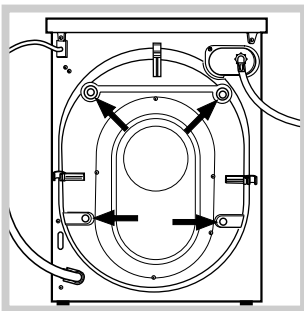
! Het is belangrijk dit boekje te bewaren zodat u het kunt raadplegen wanneer u maar wilt. In het geval dat u de machine verkoopt, of u verhuist, moet het boekje bij de machine blijven zodat de nieuwe gebruiker de functies en betreffende raadgevingen kan leren kennen.

! Lees de instructies met aandacht: u vindt er belangrijke informatie betreffende het installeren, gebruik en veiligheid.

Uitpakken en waterpas zetten

Uitpakken

1. Pak de wasdroogmachine uit.
2. Controleer of de wasdroogmachine geen schade heeft geleden gedurende het vervoer. Indien dit wel het geval is moet hij niet worden aangesloten en moet u contact opnemen met de handelaar.



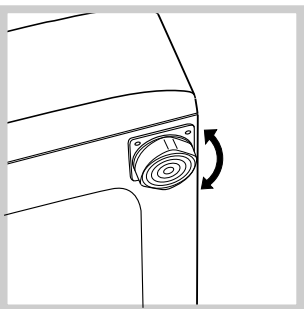
3. Verwijder de vier transportbouten met de rubberen ring en bijbehorende afstandstukken die zich aan de achterkant bevinden (zie afbeelding).

4. Sluit de gaten af met de bijgeleverde plastic doppen.
5. Bewaar alle stukken: mocht de wasdroogmachine ooit worden vervoerd, dan moeten deze weer worden aangebracht.

! Het verpakkingsmateriaal is geen speelgoed voor kinderen.

Waterpassen

1. Installeer de wasdroogmachine op een rechte en stevige vloer en laat hem niet leunen tegen een muur, meubel of dergelijken.

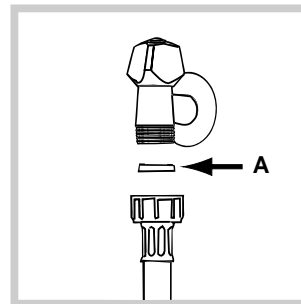


2. Als de vloer niet perfect horizontaal is kunt u de onregelmatigheid opheffen door de stelvoetjes aan de voorkant in- of uit te schroeven (zie afbeelding); de hoek, gemeten ten opzichte van de aanrecht, mag de 2° niet overschrijden.

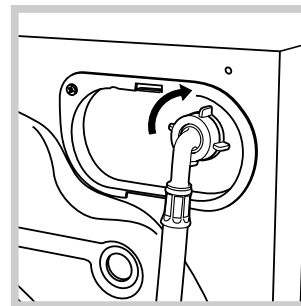
Een correcte waterpas geeft de machine stabiliteit en vermijdt trillingen, lawaai en het zich verplaatsen gedurende het functioneren van de machine. In het geval van vaste vloerbedekking of een tapijt regelt u de stelvoetjes zodanig dat onder de wasdroogmachine genoeg plaats is voor ventilatie.

Water- en elektrische aansluiting

Aansluiting van de watertoevoerslang



1. Plaats de pakking A op het uiteinde van de waterslang en schroef hem op een koudwaterkraan met een mondstuk met schroefdraad van 3/4 gas (zie afbeelding). Voordat u hem aansluit moet u het water laten lopen totdat het helder is.



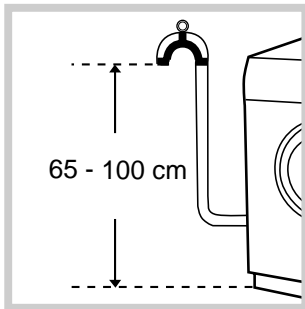
2. Verbind de slang aan de wasdroogmachine door hem op de betreffende watertoevoer aan te schroeven, rechtsboven aan de achterkant (zie afbeelding).

3. Let erop dat er geen knellingen of kronkels in de slang zijn.

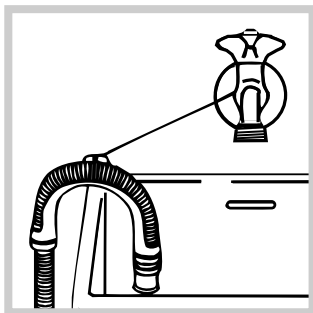
! De waterdruk van de kraan moet binnen de waarden van de tabel Technische Gegevens liggen (zie bladzijde hiernaast).

! Als de slang niet lang genoeg is moet u zich wenden tot een gespecialiseerde handelaar of een bevoegde installateur.

Aansluiting van de afvoerbuis



Verbind de buis, zonder hem te buigen, aan een afvoerleiding of aan een afvoer in de muur tussen 65 en 100 cm van de grond af;



of hang hem op de rand van een wasbak of bad, en bind de bijgeleverde leiding aan de kraan (zie afbeelding). Het uiteinde van de afvoerslang mag niet onder water hangen.

! Gebruik geen verlengstuk voor de slang ; indien dit niet te vermijden is moet het verlengstuk dezelfde doorsnee hebben als de originele slang en hij mag niet langer zijn dan 150 cm.

Elektrische aansluiting

Voordat u de stekker in het stopcontact steekt moet u zich ervan verzekeren dat:

- het stopcontact geaard is en voldoet aan de geldende normen;
- het stopcontact het maximum vermogen van de machine kan verdragen, zoals aangegeven in de tabel Technische Gegevens (zie hiernaast);
- het voltage correspondeert met de waarden die zijn aangegeven in de tabel Technische Gegevens (zie hiernaast);
- het stopcontact geschikt is voor de stekker van de machine. Indien dit niet zo is moet de stekker of het stopcontact vervangen worden.

! De wasdroogmachine mag niet buiten worden geïnstalleerd, ook niet op een plaats die beschermd is, aangezien het gevaarlijk is hem aan regen en onweer bloot te stellen.

! Als de wasdroogmachine is geïnstalleerd moet het stopcontact gemakkelijk te bereiken zijn.

! Gebruik geen verlengsnoeren of dubbelstekkers.

! Het snoer mag niet in bochten of geknikt liggen.




! De voedingskabel mag alleen door een bevoegde installateur worden vervangen.

Belangrijk! De fabrikant is niet aansprakelijk wanneer deze normen niet gerespecteerd zijn.

Eerste wasprogramma

Voordat u de machine gaat gebruiken moet u hem een wascycle laten uitvoeren met wasmiddel maar zonder wasgoed, met het programma van 90° zonder voorwassen.

Technische gegevens

Model	WIDL 146
Afmetingen	breedte cm 59,5 hoogte cm 85 diepte cm 53,5
Vermogen	van 1 tot 5 kg voor het wassen; van 1 tot 4 kg voor het drogen
Elektrische aansluitingen	spanning 220/230 Volt 50 Hz max. aansluitwaarde 1850 W
Aansluiting waterleiding	max. druk 1 MPa (10 bar) min. druk 0,05 MPa (0,5 bar) Inhoud trommel 46 liters
Snelheid centrifuge	tot 1400 toeren per minuut
Controle-programma's volgens de norm IEC456	wassen: programma 2; temperatuur 60°C; uitgevoerd met 5 kg lading. drogen: eerste droging uitgevoerd met 1 kg lading en een tijd van 40 min; tweede droging uitgevoerd met 4 kg lading en de DROOG-knop op  .
 	Deze apparatuur voldoet aan de volgende EEC voorschriften: -73/23/EEC van 19/02/73 (Laagspanning) en successievelijke modificaties -89/336/EEC van 03/05/89 (Elektromagnetische compatibiliteit) en successievelijke modificaties - 2002/96/CE

NL

Installatie

Beschrijving

Programma's

Wasmiddel

Voorzorgsmaatregelen

Onderhoud

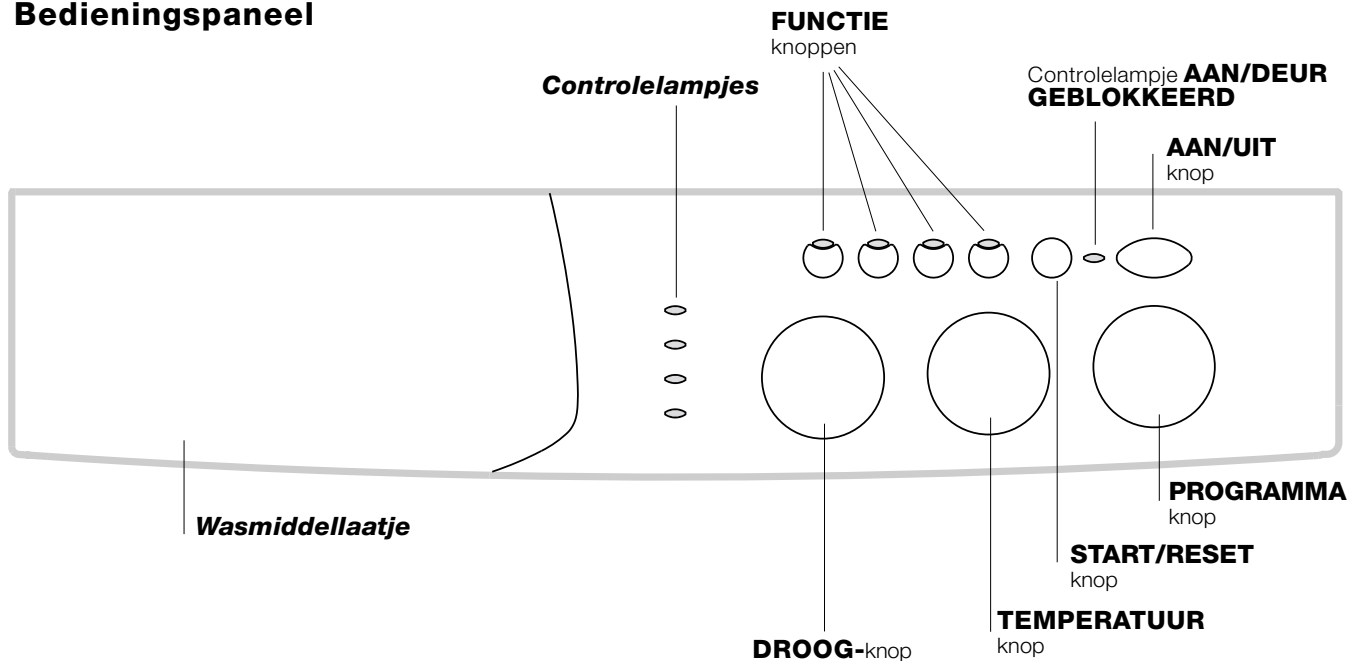
Storingen

Service

Beschrijving van de wasdroogmachine

NL

Bedieningspaneel



Wasmiddellaatje: voor wasmiddel en verdere toevoegingen (zie blz. 20).

Controlelampjes: voor het volgen van het verloop van het wasprogramma. Als de functie Delay Timer is ingesteld, wordt de resterende tijd aangegeven tot het starten van het programma (zie blz. 17).

DROOG-knop: voor het instellen van de gewenste droging (zie blz. 19).

FUNCTIE knoppen: voor het kiezen van de functies. De knop van de gekozen functie blijft verlicht.

TEMPERATUUR knop: voor het instellen van de temperatuur of koud wassen (zie blz. 19).

START/RESET knop: voor het starten van de programma's of voor het annuleren als u per ongeluk verkeerd heeft ingesteld.

Controlelampje **AAN/DEUR GEBLOKKEERD:** geeft aan of de wasdroogmachine aan is en of de deur geopend kan worden (zie blz. 17).

AAN/UIT knop: voor het in- en uitschakelen van de wasdroogmachine.

PROGRAMMA knop: voor het kiezen van de programma's. Gedurende het programma blijft de knop stilstaan.

Controlelampjes

De controlelampjes geven belangrijke informatie. Ze geven aan:

Uitgestelde start ingesteld:

Als de functie Delay Timer is geactiveerd (zie blz. 19), nadat het programma is gestart, gaat het controlelampje dat bij de uitgestelde start hoort knipperen:



Naar gelang de terugloop van de tijd wordt, met het knipperen van het betreffende controlelampje de resterende tijd aangegeven:



Als de gekozen wachttijd is afgelopen gaat het knipperende controlelampje uit en begint het ingestelde programma te lopen.

Fase die bezig is:

Gedurende het verloop van het wasprogramma gaan de controlelampjes een voor een aan om aan te tonen met welk programmaonderdeel de machin bezig is:



N.B.:

- gedurende het afpompen gaat het controlelampje dat bij de fase Centrifugeren hoort branden.

- Aan het einde van de droogcycle gaat het controlelampje van de fase -DROOG- knipperen om aan te duiden dat de DROOG-knop op **0** moet worden gezet.

Functie-knoppen

De FUNCTIE-KNOPPEN dienen ook als controlelampjes.

Als u een functie kiest wordt de bijbehorende knop verlicht.

Als de gekozen functie niet bij het ingestelde programma hoort gaat de knop knipperen en de functie wordt niet geactiveerd.

Als een functie wordt ingesteld die niet past bij een andere eerder ingestelde functie, dan blijft alleen de laatste keuze actief.

Controlelampje AAN/DEUR GEBLOKKEERD:

Als het controlelampje brandt dan betekent dit dat de deur geblokkeerd is. Dit om te voorkomen dat hij per ongeluk geopend zou worden; om schade te voorkomen moet u wachten tot het controlelampje knippert. Dan pas kunt u de deur opentrekken.

! Als het controlelampje van AAN/DEUR GEBLOKKEERD snel knippert tegelijkertijd met minstens één ander controlelampje dan betekent dit dat er een storing is. Bel de Installateur.

NL

Installatie

Beschrijving

Programma's

Wasmiddel

Voorzorgs-
maatregelen

Onderhoud

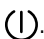
Storingen

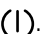
Service

Start en Programma's




NL

In het kort: een programma starten

- Schakel de wasdroogmachine in met de knop . Alle controlelampjes branden gedurende enkele seconden, gaan vervolgens uit en het controlelampje AAN/DEUR GEBLOKKEERD gaat knipperen.
- Laad het wasgoed in en sluit de deur.
- Stel het gewenste programma in met de knop PROGRAMMA'S.
- Stel de wastemperatuur in (zie blz. 19).

- Stel indien nodig het drogen in (zie blz. 19).
- Giet het wasmiddel en verdere toevoegingen in het laatje (zie blz. 20).
- Start het programma met de START/RESET knop. Voor het annuleren houdt u de START/RESET knop minstens 2 seconden ingedrukt.
- Aan het einde van het programma gaat het controlelampje AAN/DEUR GEBLOKKEERD knipperen hetgeen betekent dat de deur geopend kan worden. Haal het wasgoed eruit en laat de deur op een kier staan zodat de trommel kan drogen. Schakel de wasdroogmachine uit met de knop .

Tabel van de programma's

Soort stof en vuil	Programma's	Temperatuur	Drogen	Wasmiddel		Wasverzachter	Duur van het wasprogramma (min.)	Beschrijving wasprogramma
				voorwas	Hoofdwass			
Standaard								
Zeer vuile witte was (lakens, tafellakens enz.)	1	90°C	•	•	•	•	135	Voorwas, hoofdwass, spoelingen, tussen - en eindcentrifuge
Zeer vuile witte was (lakens, tafellakens enz.)	2	90°C	•		•	•	125	Hoofdwass, spoelingen, tussen - en eindcentrifuge
Zeer vuil wit en gekleurd wasgoed	2	60°C	•		•	•	110	Hoofdwass, spoelingen, tussen - en eindcentrifuge
Zeer vuile witte en gekleurde fijne was	2	40°C	•		•	•	105	Hoofdwass, spoelingen, tussen - en eindcentrifuge
Weinig vuil wit wasgoed en fijn gekleurd wasgoed (overhemden, truien enz.)	3	40°C	•		•	•	70	Hoofdwass, spoelingen, tussen - en eindcentrifuge
Zeer vuile kleurvaste stoffen (babygoed enz.)	4	60°C	•		•	•	75	Hoofdwass, spoelingen, kreukvrij of delicate centrifuge
Zeer vuile kleurvaste stoffen (babygoed enz.)	4	40°C	•		•	•	60	Hoofdwass, spoelingen, kreukvrij of delicate centrifuge
wol	5	40°C			•	•	50	Hoofdwass, spoelingen, kreukvrij en delicate centrifuge
Speciaal fijne stoffen (gordijnen, zijde, viscose enz.)	6	30°C			•	•	45	Hoofdwass, spoelingen, kreukvrij of afpompen
Drogen van katoenen stoffen	7		•					
Drogen van fijne stoffen	8		•					
Time 4 U								
Zeer vuil wit en gekleurd wasgoed	9	60°C			•	•	60	Hoofdwass, spoelingen, tussen - en eindcentrifuge.
Licht gekleurde stoffen (ieder soort weinig vuil wasgoed)	10	40°C			•	•	40	Hoofdwass, spoelingen en delicate centrifuge
Licht gekleurde stoffen (ieder soort weinig vuil wasgoed)	11	30°C	•		•	•	30	Hoofdwass, spoelingen en delicate centrifuge
Sport								
Sportschoenen (MAX. 2 paar.)	12	30°C			•	•	50	Koude was (zonder wasmiddel), wassen, spoelen en delicate centrifuge
Stoffen voor sportkleding (jogginpakken, shorts enz.)	13	30°C			•	•	60	Hoofdwass, spoelingen, tussen - en eindcentrifuge
PROGRAMMA ONDERDELEN								
Spoelen			•			•		Spoelingen en centrifuge
Centrifugeren			•					Afpompen en centrifuge
Afpompen								Afpompen

Note

- Bij de programma's 9 is het beter de machine met niet meer dan 3,5 kg wasgoed te beladen.
- Bij programma 13 raden wij aan een lading van niet meer dan 2 kg te wassen.
- Kijk voor de beschrijving van kreukvrij: Zie Minder Strijken, *bladzijde hiernaast*. De gevens in de tabel hebben een indicatieve waarde.

Speciaal programma

Dagelijkse was (programma 11 voor synthetische stoffen) is bedoeld voor het snel wassen van kledingstukken die weinig vuil zijn: het duurt slechts 30 minuten en bespaart dus elektriciteit en tijd. Met programma (11 met 30 °C) kunt u verschillende soorten stoffen tesamen wassen (behalve zijde en wol) met een lading van max. 3 kg. *Het beste is om hierbij vloeibaar wasmiddel te gebruiken.*

Instellen van de temperatuur

Door aan de TEMPERATUUR-knop te draaien stelt u de temperatuur van het wassen in (zie Tabel van de programma's op blz. 18).

De temperatuur kan verlaagd worden tot aan koud (❄).

Instellen van het drogen

Door aan de DROOG-knop te draaien stelt u het gewenste soort drogen in. Er zijn twee mogelijkheden:

A - Gebaseerd op de tijdsduur: Van 40 tot 150 minuten.

B - Gebaseerd op de vochtigheidsgraad van het wasgoed:

Strijkdroog : wasgoed enigszins vochtig, gemakkelijk te strijken.

Drogen en ophangen : wasgoed droog en klaar voor in de kast.

Kastdroog : heel droog wasgoed, aangeraden voor handdoeken en badjassen.

Aan het einde van de droogprogramma is er een afkoelperiode.

Tabel droogtijden

De gegevens in de tabel hebben een indicatieve waarde.

Soort stof	Soort lading	Max. lading (kg)	Kast-droog	Drogen en ophangen	Strijk-droog
Katoen, linnen	Wasgoed van versch. grootte	4	130	120	110
Katoen	Handdoeken	4	130	120	110
Terital, katoen	Lakens, overhemden	2,5	90	80	70
Acrylic	Pyjama's, sokken enz.	1	65	60	60
Nylon	Ondergoed, kousen enz.	1	65	60	60

Als in een uitzonderlijk geval de lading wasgoed voor wassen en drogen meer is dan het toegestane maximum (zie tabel hiernaast), dan voert u eerst het wassen uit; aan het einde hiervan verdeelt u de lading en laadt u één gedeelte in de trommel. Volg nu de aanwijzingen voor het uitvoeren van **alleen drogen**. Doe hetzelfde met de rest van de lading.

Alleen drogen

Draai de PROGRAMMA-knop naar een van de droogstanden (7-8), gebaseerd op het soort stof, en kies vervolgens het soort drogen dat gewenst is met de DROOG-knop.

Belangrijk: - Gedurende het drogen wordt een centrifuge uitgevoerd indien u een van de **katoenprogramma's** en een van de **droogstadia** (Kastdroog , Drogen en ophangen , Strijkdroog) heeft ingesteld.

- Voor katoen wasgoed minder dan 1 kg gebruikt u het droogprogramma voor fijne stoffen.

Functies

De verschillende functies van de wasdroogmachine zorgen voor een heldere en witte was zoals door u gewenst. Voor het activeren van de functies:

1. druk op de knop die bij de gewenste functie hoort, volgens de hiervolgende tabel;
2. het oplichten van de betreffende knop geeft aan dat de functie actief is.

N.B.: Snel knipperen van de knop geeft aan dat de bijbehorende functie van het ingestelde programma niet gekozen kan worden.

Functies	Effect	Notities voor het gebruik	Actief bij de programma's:
 Delay Timer	Stelt de start van de machine uit tot aan 9 uren.	Druk meerdere malen op de knop totdat het controlelampje dat bij de gewenste ingestelde start verlicht wordt. Bij de vijfde druk op de knop wordt de functie gedeactiveerd. N.B.: Als de Start/Reset knop eenmaal ingedrukt is dan kan de uitgestelde tijd alleen verkort worden.	Allen
 Minder strijken	Vermindert het kreuken van de stoffen en vergemakkelijkt het strijken.	Door deze functie in te stellen worden de programma's 4, 5, 6 onderbroken, (wasgoed blijft in water= spoelstop) (Kreukvrij), en het controlelampje van de fase Spoelen gaat knipperen: - voor het afmaken van de cycle drukt u op de START/RESET knop - voor alleen waterafvoer zet u de knop op het symbool en drukt u op de START/RESET knop.	3, 4, 5, 6, 9, 10, Spoelen.
 Extra Spoeling	Vermeerdert het resultaat van het spoelen.	Aangeraden voor volle lading wasgoed of met extra veel wasmiddel.	1, 2, 3, 4, 9, 10, 12, 13, Spoelen.
1400 600	Vermindert de snelheid van de centrifuge.		Alle programma's behalve 6 en afpompen.

NL

Installatie

Beschrijving

Programma's

Wasmiddel

Voorzorgs-
maatregelen

Onderhoud

Storingen

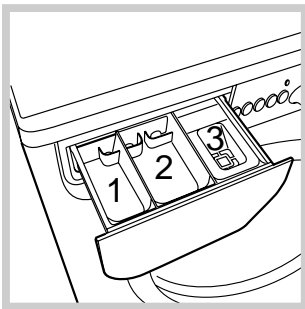
Service

Wasmiddel en wasgoed

NL

Wasmiddellaatje

Een goed resultaat van de was hangt ook af van een juiste dosis wasmiddel: te veel maakt het wassen niet beter en blijft in het wasgoed hangen terwijl het slecht is voor het milieu.



Trek het laatje naar voren en giet het wasmiddel en/of de verdere toevoegingen erin als volgt.

bakje 1: voorwasmiddel (poeder)

bakje 2: wasmiddel (poeder of vloeibaar)

Het vloeibare wasmiddel wordt erin gegoten vlak voor de start.

bakje 3: toevoegingen (wasverzachter enz.)

De wasverzachter mag niet boven het roostertje uitkomen.

! Gebruik nooit middelen voor handwas aangezien die te veel schuim vormen.

Prepareren van het wasgoed

- Verdeel het wasgoed volgens:
 - het soort stof / het symbool op het etiket.
 - de kleuren: scheid gekleurd goed van de witte was.
- Maak de zakken leeg en controleer de knopen.
- Ga niet boven het aangegeven gewicht, berekend voor droog wasgoed:
 - stevige stoffen: max 5 kg
 - synthetische stoffen max 2,5 kg
 - fijne stoffen max 2 kg
 - Wol: max 1 kg

Hoeveel weegt het wasgoed?

- 1 laken 400-500 gr.
- 1 sloop 150-200 gr.
- 1 tafelkleed 400-500 gr.
- 1 badjas 900-1200 gr.
- 1 handdoek 150-200 gr.

Speciale stukken

Gordijnen: vouw de gordijnen nauwkeurig en doe ze in een kussensloop of net. Was ze apart zonder ooit de halve lading te overschrijden. Gebruik programma 6 dat automatisch de centrifuge uitsluit.

Donzen dekbedden en met dons gevulde

windjacks: als de vulling uit ganzenveren of eendendons bestaat kunt u ze wassen in de wasdroogmachine. Keer de stukken binnenste buiten en ga niet boven een max. lading van 2-3 kg; herhaal de spoeling een of twee keer en gebruik de delicate centrifuge.

Wol: Gebruik voor de beste resultaten een wasmiddel dat speciaal voor wol is bestemd en laad niet meer dan 1kg wollen goed in de machine.

! De wasdroogmachine is ontworpen en geproduceerd volgens de internationale veiligheidsnormen. Deze aanwijzingen worden voor uw eigen veiligheid gegeven en zij moeten met aandacht worden gelezen.

Algemene veiligheid

- Dit apparaat is gemaakt voor huishoudelijk gebruik, niet-professioneel, en zijn functies mogen niet veranderd worden.
- De wasdroogmachine mag alleen door volwassen personen en volgens de instructies in dit boekje worden gebruikt.
- Raak de machine niet aan als u blootsvoets bent of met natte of vochtige handen of voeten.
- Trek de stekker nooit aan het snoer uit het stopcontact, maar altijd door de stekker aan te pakken.
- Open het wasmiddellaatje niet terwijl de machine in werking is.
- Raak het afvoerwater niet aan aangezien het nogal warm kan zijn.
- Forceer nooit de deur: het veiligheidsmechanisme, dat tegen per ongeluk openen beschermt, kan beschadigd worden.
- Probeer in geval van storingen nooit zelf interne mechanismen van de machine te repareren.
- Zorg ervoor dat kleine kinderen niet te dicht bij de machine komen als deze in werking is.
- De glazen deur kan heet worden.
- Als de machine verplaatst moet worden doe dit dan met twee of drie personen en met grote voorzichtigheid. Nooit alleen want de machine is zwaar.
- Voordat u het wasgoed in de machine laadt, controleer dat hij leeg is.
- De glazen ruit wordt warm gedurende het drogen.
- Droog geen wasgoed dat met ontvlambare oplosmiddelen is gewassen (b.v. trieline).
- Droog geen schuimrubber of elastomeren of kledingstukken met rubberen opschriften e.d.
- Controleer dat gedurende het drogen de water kraan open is.
- Deze wasdroogmachine mag alleen worden gebruikt voor het drogen van wasgoed dat in water is gewassen.

Het afvoeren

- Het afvoeren van het verpakkingsmateriaal: houd u zich aan de plaatselijke normen zodat het materiaal gerecycled kan worden.
- De Europese Richtlijn 2002/96/EC over Vernietiging van Elektrische en Electronische Apparatuur, vereist dat oude huishoudelijke elektrische apparaten niet mogen vernietigd via de normale ongesorteerde afvalstroom. Oude apparaten

moeten apart worden ingezameld om zo het hergebruik van de gebruikte materialen te optimaliseren en de negatieve invloed op de gezondheid en het milieu te reduceren. Het symbool op het product van de "afvalcontainer met een kruis erdoor" herinnert u aan uw verplichting, dat wanneer u het apparaat vernietigt, het apparaat apart moet worden ingezameld.

Consumenten moeten contact opnemen met de lokale autoriteiten voor informatie over de juiste wijze van vernietiging van hun oude apparaat.

Bezuiniging en bescherming van het milieu

Maximale reiniging

Als er weinig water door de glazen deur te zien is komt dat doordat met de nieuwe Indesit technologie minder dan de helft water voldoende is voor maximum reinheid van de was: een doel dat is bereikt ten gunste van de milieu-bescherming.

Bezuinigen op wasmiddel, water, energie en tijd

- Teneinde geen energiebronnen te verkwisten moet de machine altijd met maximum lading worden gebruikt. U spaart 50% energie met een volle lading i.p.v. twee half volle ladingen.
- Voorwassen is alleen nodig voor erg vuil wasgoed. Door dit te vermijden bespaart u wasmiddel, tijd, water en ongeveer 5 tot 15% energie.
- Door vlekken met een ontvlekkingsmiddel te behandelen of in de week te zetten kunt u met minder hoge temperaturen wassen. Een programma op 60°C in plaats van op 90°C of op 40°C in plaats van 60°C zorgt voor een besparing van 50% aan energie.
- Doseer het wasmiddel op basis van de hardheid van het water, de vuilheidsgraad en de hoeveelheid wasgoed, zo vermijdt u onnodig energieverbruik en beschermt u het milieu. ook al zijn de wasmiddelen biologisch afbreekbaar, toch bevatten ze elementen die het evenwicht in de natuur verstoren. Bovendien moet u zoveel mogelijk wasverzachtters vermijden.
- Door zoveel mogelijk te wassen met goedkope stroomtarieven (s'nachts) werkt u mee aan het reduceren van de belasting van de elektrische centrale. De optie Delay Timer (zie blz. 19) is van groot belang voor de uitvoering van het wasprogramma gedurende de nacht.
- Als u na het wassen het wasgoed in een dryer wilt drogen, kunt u een hoge snelheid centrifuge kiezen. Weinig water in het wasgoed spaart tijd en energie bij het droogprogramma.

NL

Installatie

Beschrijving

Programmas

Wasmiddel

Voorzorgs-
maatregelen

Onderhoud

Storingen

Service

Onderhoud

NL

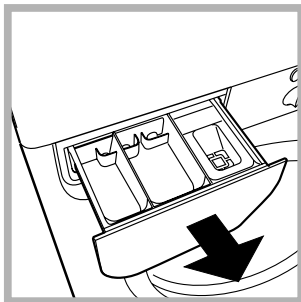
Afsluiten van water en stroom

- Doe de kraan dicht na iedere wasbeurt. Hiermee reduceert u de kans op lekkage.
- Sluit altijd eerst de stroom af voordat u de wasdroogmachine gaat schoonmaken en gedurende onderhoudswerkzaamheden.

Schoonmaken van de wasdroogmachine

De buitenkant en de rubber onderdelen kunnen met een spons en lauw sopje worden schoongemaakt. Nooit schuurmiddelen of oplosmiddelen gebruiken!

Het wasmiddellaatje schoonmaken



Verwijder het laatje door het op te lichten en naar voren te trekken (zie afbeelding). Was het onder stromend water: dit moet u regelmatig doen.

Reinigen van deur en trommel

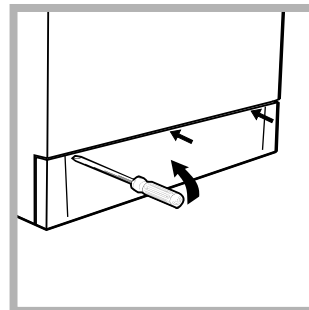
- Laat de deur altijd op een kier staan om muffe lucht te vermijden.

Reinigen van de pomp

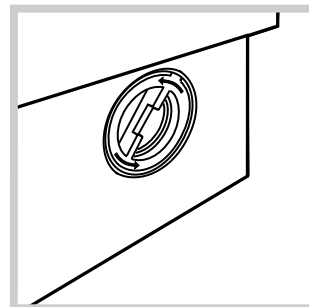
De wasdroogmachine is voorzien van een zelf-reinigende pomp en hoeft dus niet te worden schoongemaakt. Het kan echter gebeuren dat kleine voorwerpen (geldstukken, knopen) in het voorvakje terecht komen dat de pomp beschermt en zich aan de onderkant bevindt.

! Verzeker u ervan dat het wasprogramma klaar is en trek de stekker uit het stopcontact.

Toegang tot het paneel:



1. verwijder het paneeltje aan de voorkant van de wasdroogmachine met behulp van een schroevendraaier (zie afbeelding);



2. draai de deksel eraf, tegen de klok in draaiend (zie afbeelding); het is normaal dat er een beetje water uit komt;

3. maak de binnenkant goed schoon;
4. schroef de deksel er weer op;
5. monteer het paneeltje weer, met de haakjes in de betreffende openingen voordat u het paneeltje tegen de machine aan drukt.

Controleer de slang van de watertoevoer

Controleer minstens eens per jaar de slang van de watertoevoer. Als er barstjes in zitten moet hij vervangen worden: gedurende het wassen kan de hoge waterdruk onverwachts scheurtjes veroorzaken.

! Nooit reeds eerder gebruikte slangen gebruiken.

Het kan gebeuren dat de machine niet werkt. Voordat u de installateur opbelt (zie blz. 24), controleert u of het een storing betreft die gemakkelijk te verhelpen is met behulp van de volgende lijst.

Storingen:

De wasdroogmachine gaat niet aan.

Het wasprogramma start niet.

De wasdroogmachine neemt geen water.

De wasdroogmachine blijft water aan- en afvoeren.

De wasdroogmachine pompt het water niet af of centrifugeert niet.

De machine trilt erg tijdens het centrifugeren.

De wasdroogmachine lekt.

Het controlelampje AAN/DEUR GEBLOKKEERD knippert snel tegelijkertijd met minstens één ander controlelampje.

Er ontstaat teveel schuim.

De wasdroogmachine droogt niet.

Mogelijke oorzaken / Oplossing:

- De stekker is niet in het stopcontact of niet ver genoeg ingestoken om contact te maken.
 - Er is geen stroom.
 - De deur is niet goed dicht.
 - De knop (U) is niet ingedrukt.
 - De START/RESET knop is niet ingedrukt.
 - De waterkraan is niet open.
 - Uitgestelde start is ingesteld (Delay Timer, zie blz. 19).
 - De watertoevoerslang is niet aangesloten aan de kraan.
 - De slang ligt gekneld.
 - De kraan is niet open.
 - In huis mankeert het water.
 - Er is geen voldoende druk.
 - De START/RESET knop is niet ingedrukt.
 - De afvoerslang is niet geïnstalleerd op 65 tot 100 cm afstand van de grond (zie blz. 15).
 - Het uiteinde van de afvoerslang ligt onder water (zie blz. 15).
 - De afvoer in de muur heeft geen ontluchting.
- Als na deze controle het probleem niet is opgelost, doet u de waterkraan dicht, de machine uit en belt u de installateur. Als u op een van de hoogste verdiepingen van een flatgebouw woont kan zich een probleem met het hevelen voordoen, waarbij de machine voortdurend water aan- en afvoert. Om deze storing te verhelpen bestaan er speciale in de handel verkrijgbare ventielen.
- Het programma voorziet niet in afvoer: bij enkele programma's moet dit met de hand worden gestart (zie blz. 18).
 - De optie 'Minder strijken' is actief: voor het afmaken van het programma drukt u op de START/RESET knop (zie blz. 19).
 - De afvoerslang ligt gekneld (zie blz. 15).
 - De afvoerleiding is verstopt.
 - De trommel is bij het installeren niet op de juiste wijze ontgrendeld (zie blz. 14).
 - De wasdroogmachine staat niet recht (zie blz. 14).
 - De wasdroogmachine staat te nauw tussen meubel en muur (zie blz. 14).
 - De slang van de watertoevoer is niet goed aangeschroefd (zie blz. 14).
 - Het wasmiddellaatje is verstopt (voor schoonmaken zie blz. 22).
 - De afvoerslang is niet goed bevestigd (zie blz. 15).
 - Bel de Installateur want dit geeft een storing aan.
 - Het wasmiddel is niet bedoeld voor wasmachines (er moet "voor wasmachine", "handwas en wasmachine", of dergelijke op staan).
 - De dosering is te veel.
 - De stekker is niet in het stopcontact of niet ver genoeg ingestoken om contact te maken.
 - Er is geen stroom.
 - De deur is niet goed dicht.
 - Uitgestelde start is ingesteld (Delay Timer, zie blz. 19).
 - de DROOG-knop staat op **0**.

NL

Installatie

Beschrijving

Programma's

Wasmiddel

Voorzorgs-
maatregelen

Onderhoud

Storingen

Service

Voordat u er de installateur bijhaalt:

- Kijk eerst even of u het probleem zelf kunt oplossen (*zie blz. 23*);
- Start het programma om te controleren of de storing is verholpen;
- Is dit niet het geval dan neemt u contact op met de bevoegde dichtsbijzijnde Technische Dienst via het telefoonnummer dat op het garantiebewijs/gebruiksaanwijzing staat.

! Nooit een niet-bevoegde installateur erbij halen.

Vermeld:

- het soort storing;
- het model van de machine (Mod.);
- het serienummer (S/N).

Deze informatie vindt u op het typeplaatje aan de achterkant van de wasdroogmachine.

DE**Deutsch****WIDL 146**

INHALTSVERZEICHNIS

Installation, 26-27

Auspacken und Aufstellen, 26
Wasser- und Elektroanschlüsse, 26-27
Erster Waschgang, 27
Technische Daten, 27

Beschreibung des Waschtrockner, 28-29

Schalterblende, 28
Kontrollleuchten, 29

Inbetriebnahme und Programme, 30

Kurz zusammengefasst: Waschprogramm starten, 30
Programmtabelle, 30

Individualisierungen, 31

Einstellen der Temperatur, 31
Trockengang einstellen, 31
Funktionen, 31

Waschmittel und Wäsche, 32

Waschmittelschublade, 32
Vorsortieren der Wäsche, 32
Besondere Wäscheteile, 32

Vorsichtsmaßnahmen und Hinweise, 33

Allgemeine Sicherheit, 33
Entsorgung, 33
Energie sparen und Umwelt schonen, 33

Reinigung und Pflege, 34

Wasser- und Stromversorgung abstellen, 34
Reinigung des Gerätes, 34
Reinigung der Waschmittelschublade, 34
Pflege der Gerätetür und Trommel, 34
Reinigung der Pumpe, 34
Kontrolle des Wasserzulaufschlauchs, 34

Störungen und Abhilfe, 35

Kundendienst, 36

Bevor Sie sich an den Kundendienst wenden, 36

Installation

DE

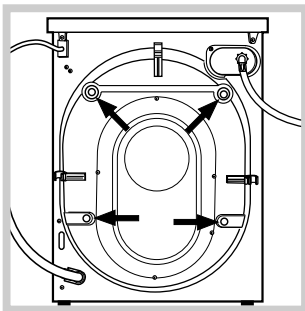
! Es ist äußerst wichtig, diese Bedienungsanleitung sorgfältig aufzubewahren, um sie jederzeit zu Rate ziehen zu können. Sorgen Sie dafür, dass sie im Falle eines Umzugs oder Übergabe an einen anderen Benutzer das Gerät stets begleitet, damit auch der neue Inhaber die Möglichkeit hat, diese zu Rate zu ziehen.

! Lesen Sie bitte folgende Hinweise aufmerksam durch, sie liefern wichtige Informationen hinsichtlich der Installation, dem Gebrauch und der Sicherheit.

Auspacken und Aufstellen

Auspacken

1. Gerät auspacken.
2. Sicherstellen, dass der Wäschetrockner keine Transportschäden erlitten hat. Im Falle einer Beschädigung Gerät bitte nicht anschließen, sondern den Kundendienst anfordern.



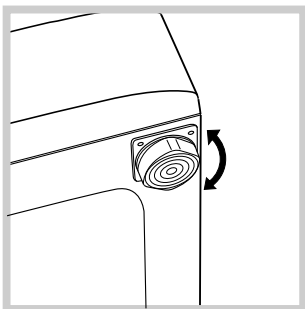
3. Die 4 Transportschutzschrauben ausschrauben und das an der Rückwand befindliche Gummiteil nebst entsprechendem Distanzstück abnehmen (siehe Abbildung).

4. Die Löcher mittels der mitgelieferten Kunststoffstöpsel schließen.
5. Sämtliche Teile aufbewahren: Sollte der Wäschetrockner erneut transportiert werden müssen, müssen diese Teile wieder eingesetzt werden.

! Verpackungsmaterial ist kein Spielzeug für Kinder

Standfläche

1. Der Wäschetrockner muss auf einem ebenen, festen Untergrund aufgestellt werden, ohne ihn an Wände, Möbelteile oder ähnliches anzulehnen.

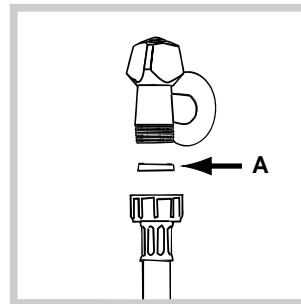


2. Sollte der Boden nicht perfekt eben sein, müssen die Unebenheiten durch An- bzw. Ausdrehen der vorderen Stellfüße ausgeglichen werden (siehe Abbildung), der auf der Arbeitsfläche zu ermittelnde Neigungsgrad darf 2° nicht überschreiten.

Eine präzise Nivellierung verleiht dem Gerät die erforderliche Stabilität, durch die Vibrationen, Betriebsgeräusche und ein Verrücken des Gerätes vermieden werden. Bei Teppichböden müssen die Stellfüße so reguliert werden, dass ein ausreichender Freiraum zur Belüftung unter dem Wäschetrockner gewährleistet ist.

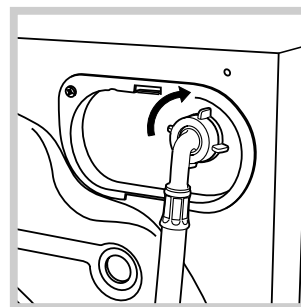
Wasser- und Elektroanschlüsse

Anschluss des Zulaufschlauches



1. Legen Sie die Gummidichtung A in das Anschlussstück des Zulaufschlauches ein und drehen Sie dieses an einen mit Gewindeanschluss von $\frac{3}{4}$ G versehenen Kaltwasserhahn (siehe Abbildung). Lassen Sie das Wasser

vor dem Anschluss so lange auslaufen, bis klares Wasser austritt.



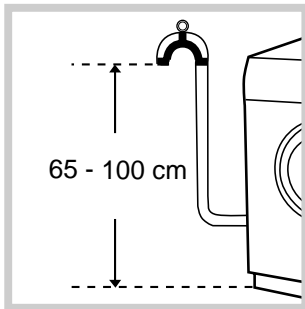
2. Schließen Sie das andere Ende des Schlauches an den oben rechts am Rückteil des Wäschetrockners befindlichen Wasseranschluss an (siehe Abbildung).

3. Der Schlauch darf hierbei nicht eingeklemmt oder abgeknickt werden.

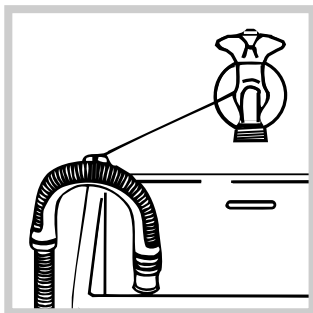
! Der Wasserdruck muss innerhalb der Werte liegen, die in der Tabelle der Technischen Daten angegeben sind (siehe nebenstehende Seite).

! Sollte der Zulaufschlauch nicht lang genug sein, dann wenden Sie sich bitte an einen Fachhändler oder an einen autorisierten Fachmann.

Anschluss des Ablaufschlauches



Schließen Sie den Ablaufschlauch, ohne ihn dabei zu krümmen, an eine Ablaufleitung, oder an einen in der Wand in einer Mindesthöhe von 65 - 100 cm angelegten Ablauf an;



oder hängen Sie ihn in ein Becken oder eine Wanne ein; befestigen Sie ihn in diesem Falle mittels der mitgelieferten Führung an dem Wasserhahn (siehe Abbildung). Das freie Ablaufschlauchende darf nicht unter Wasser bleiben.

! Verlängerungsschläuche sollten nicht eingesetzt werden, sollte dies jedoch absolut unvermeidlich sein, muss die Verlängerung denselben Durchmesser des Originalschlauchs aufweisen und 150 cm nicht überschreiten.

Elektronanschluss

Vor Einfügen des Steckers in die Steckdose ist sicherzustellen, dass:

- die Steckdose über eine normgerechte Erdung verfügt;
- die Steckdose die in nebenstehender Datentabelle angegebene Höchstlast des Gerätes trägt;
- die Stromspannung den in nebenstehender Datentabelle aufgeführten Werten entspricht;
- der Stecker in die Steckdose passt. Andernfalls muss der Stecker (oder die Steckdose) ersetzt werden.

! Der Waschtrockner darf nicht im Freien installiert werden, auch nicht, wenn es sich um einen geschützten Platz handelt. Es ist gefährlich, Ihren Vollwaschautomaten Gewittern und Unwettern auszusetzen.

! Die Steckdose sollte nach installiertem Gerät leicht zugänglich sein.

! Verwenden Sie bitte keine Verlängerungen oder Mehrfachstecker.

! Das Kabel darf nicht gebogen bzw. eingeklemmt werden.



! Das Versorgungskabel darf nur durch autorisierte Fachkräfte ausgetauscht werden.

Achtung! Der Hersteller weist jede Haftung zurück, falls diese Vorschriften nicht eingehalten werden sollten.

Erster Waschgang

Lassen Sie nach der Installation bzw. vor erstmaligem Gebrauch erst einen Waschgang (mit Waschmittel) ohne Wäsche durchlaufen. Stellen Sie hierzu das 90°C-Waschprogramm ohne Vorwäsche ein.

Technische Daten

Modell	WIDL 146
Abmessungen	Breite 59,5 cm Höhe 85 cm Tiefe 53,5 cm
Fassungsvermögen	1 - 5 kg für den Waschzyklus; 1 - 4 kg für den Trockenzklus
Elektroanschlüsse	Spannung 220/230 Volt 50 Hz max. Leistungsaufnahme 1850 W
Wasseranschlüsse	Höchstdruck 1 MPa (10 bar) Mindestdruck 0,05 MPa (0,5 bar) Trommelvolumen 46 Liter
Schleudertouren	bis zu 1400 U/min.
Prüfprogramme gemäß IEC456	Waschen: Programm 2; Temperatur 60°C; bei einer Lademenge von 5 kg. Trocknen: erster Trockengang bei einer Wäscheladung von 1 kg und Wahl einer Dauer von 40 Minuten; zweiter Trockengang bei einer Wäscheladung von 4 kg und Einstellung des Wählschalters TROCKNEN auf Pos .
 	Dieses Gerät entspricht den folgenden EG-Richtlinien: - 73/23/EWG vom 19.02.73 (Niederspannung) und nachfolgenden Änderungen - 89/336/EWG vom 03.05.89 (elektromagnetische Verträglichkeit) und nachfolgenden Änderungen - 2002/96/CE

DE

Installation

Beschreibung

Waschprogramme

Waschmittel

Vorsichtsmaßnahmen

Wartung und Pflege

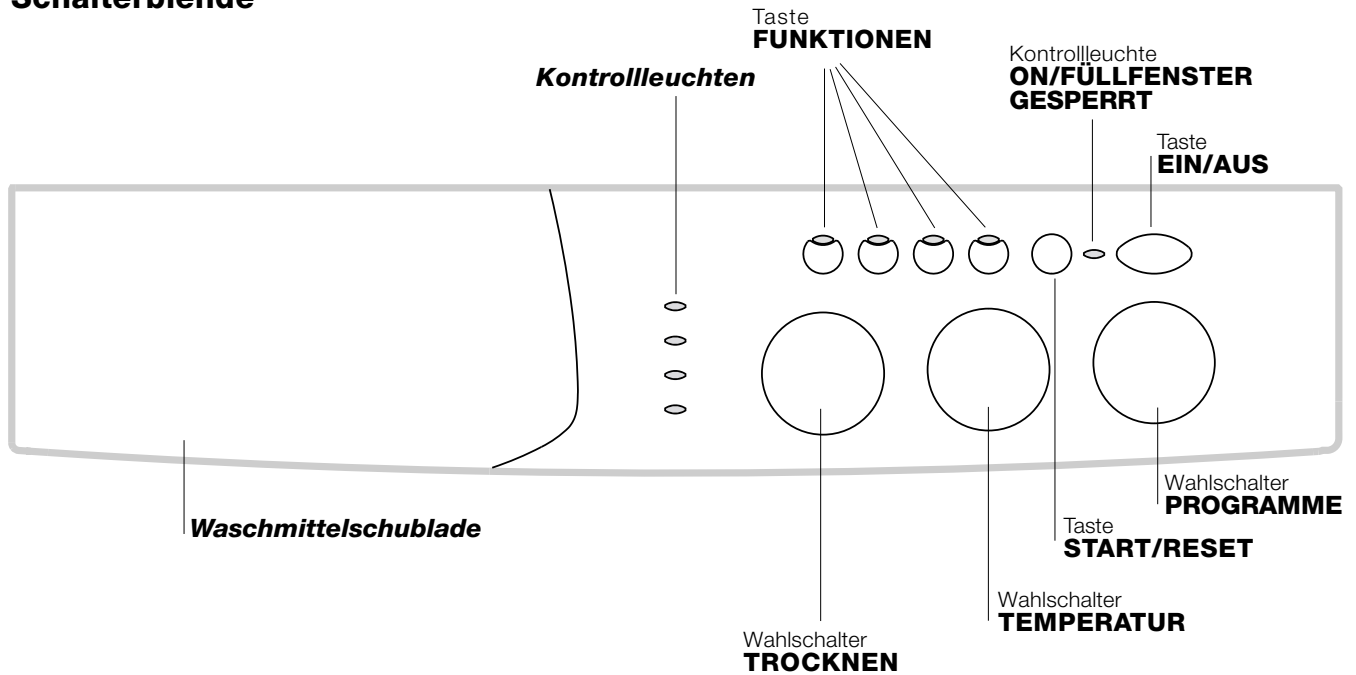
Störungen

Kundendienst

Beschreibung des Waschtrockner

Schalterblende

DE



Waschmittelschublade: für Waschmittel und Zusätze (siehe Seite 32).

Kontrollleuchten: Zur Kontrolle des Waschprogrammablaufs. Wurde die Funktion Delay Timer eingestellt, wird die bis zum Start noch verbleibende Zeit angezeigt (siehe Seite 29).

Wahlschalter **TROCKNEN:** zur Einstellung des gewünschten Trocknungsgrades (siehe Seite 31).

Tasten **FUNKTIONEN:** Zur Einstellung der verfügbaren Funktionen. Die gewählte Einstellung der entsprechenden Funktionstaste bleibt eingeschaltet. (sie leuchtet).

Wahlschalter **TEMPERATUR:** Zur Einstellung der Waschtemperatur oder der Kaltwäsche (siehe Seite 31).

Taste **"START/RESET":** um die Programme zu starten bzw. zu löschen, falls unkorrekt eingestellt.

Kontrollleuchte **ON/FÜLLFENSTER GESPERRT:** Um Erkennen zu können, ob die Maschine eingeschaltet ist und demnach das Füllfenster nicht geöffnet werden kann (siehe Seite 29).

Taste **"EIN/AUS":** zur Ein- und Ausschaltung des Waschtrockners.

Wahlschalter **PROGRAMME:** zur Programmwahl. Während des Programmablaufs bleibt der Schalter feststehend.

Kontrollleuchten

Die Kontrollleuchten liefern wichtige Hinweise. Sie signalisieren:

Startvorwahl erfolgt:

Wurde die Startvorwahl-Funktion Delay Timer (*siehe Seite 31*) aktiviert, und das Programm in Gang gesetzt, schaltet die Kontrollleuchte, die der eingestellten Zeitverschiebung entspricht, auf Blinklicht:



Nach und nach wird die bis zum effektiven Start noch verbleibende Zeit eingeblendet, die entsprechende Kontrollleuchte blinkt:



Nach Ablauf der vorgewählten Zeit erlischt die Kontrollleuchte und das gewählte Waschprogramm startet.

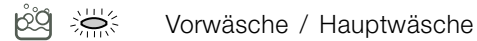
Kontrollleuchte ON/FÜLLFENSTER GESPERRT:

Ist diese Kontrollleuchte eingeschaltet, bedeutet dies, dass das Füllfenster gesperrt ist. Um ungewolltes Öffnen zu vermeiden, warten Sie, bis die Leuchte auf Blinklicht umschaltet, bevor Sie das Fenster öffnen, um Schäden zu vermeiden.

! Ein gleichzeitiges, rasches Blinken der Kontrollleuchte ON/FÜLLFENSTER GESPERRT mit einer beliebigen anderen Kontrollleuchte signalisiert einen Fehler. Fordern Sie den Kundendienst an.


Laufende Programmphase:

Während des Waschprogrammablaufs leuchten die Kontrollleuchten nach und nach auf und zeigen so den jeweiligen Stand an.



Anmerkung:

- Während des Abpumpens leuchtet die entsprechende Kontrollleuchte für die Schleuder auf.

- Ist der Trockenzyklus abgelaufen blinkt die der Phase  entsprechende Kontrollleuchte, um anzuzeigen, dass der Wählschalter TROCKNEN wieder auf Pos. **0** zurückzudrehen ist.

Tasten FUNKTIONEN

Die Funktionstasten fungieren auch als Kontrollleuchten.

Bei Wahl einer Funktion leuchtet die entsprechende Taste auf.

Ist die gewählte Funktion nicht vereinbar mit dem eingestellten Programm, schaltet die Taste auf Blinklicht und die Funktion wird nicht aktiviert. Wird eine Funktion eingestellt, die zu der bereits eingestellten nicht zugeschaltet werden kann, bleibt nur die zuletzt gewählte aktiv.

DE

Installation

Beschreibung

Waschprogramme

Waschmittel

Vorsichtsmaßnahmen

Wartung und Pflege


Störungen

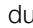
Kundendienst

Inbetriebnahme und Programme




DE

Kurz zusammengefasst: Waschprogramm starten

1. Schalten Sie den Wäschetrockner durch Druck auf die Taste  ein. Alle Kontrollleuchten leuchten für einige Sekunden auf, und erlöschen kurz darauf wieder. Die Kontrollleuchte ON/FÜLLFENSTER GESPERRT schaltet auf Blinklicht.
2. Wäsche einfüllen und Füllfenster schließen.
3. Stellen Sie das gewünschte Programm mittels des Wahlschalters PROGRAMME ein.
4. Einstellen der Waschtemperatur (siehe Seite 31).

5. Trockengang falls erforderlich einstellen (siehe Seite 31).
6. Waschmittel und Zusätze einfüllen (siehe Seite 32).
7. Programm durch Druck auf die Taste START/RESET in Gang setzen.
Um dieses zu löschen, Taste START/RESET für mindestens 2 Sekunden gedrückt halten.
8. Ist das Waschprogramm abgelaufen schaltet die Kontrollleuchte ON/FÜLLFENSTER GESPERRT auf Blinklicht, was anzeigt, dass das Fenster geöffnet werden kann. Nehmen Sie die Wäsche heraus und lassen Sie das Füllfenster leicht offen stehen, damit die Trommel trocknen kann. Die Wäschetrockner nun durch Druck auf die Taste  ausschalten.

Programmtabelle

Gewebeart und Verschmutzungsgrad	Waschprogramme	Temperatur	Trocknen	Waschmittel		Weichspüler	Programmdauer ca. (Min.)	Beschreibung der Waschprogramme
				Vorw.	Hauptw.			
Standard								
Stark verschmutzte Kochwäsche (Bettücher, Tischdecken usw.)	1	90°C	•	•	•	•	135	Vorwäsche, Hauptwäsche, Spülen, Zwischen- und Endschleudern
Stark verschmutzte Kochwäsche (Bettücher, Tischdecken usw.)	2	90°C	•		•	•	125	Hauptwäsche, Spülen, Zwischen- und Endschleudern
Weißwäsche und widerstandsfähige, stark verschmutzte Buntwäsche	2	60°C	•		•	•	110	Hauptwäsche, Spülen, Zwischen- und Endschleudern
Weißwäsche und empfindliche, stark verschmutzte Buntwäsche	2	40°C	•		•	•	105	Hauptwäsche, Spülen, Zwischen- und Endschleudern
Leicht verschmutzte Weißwäsche und empfindliche Buntwäsche (Oberhemden, Maschenware usw.)	3	40°C	•		•	•	70	Hauptwäsche, Spülen, Zwischen- und Endschleudern
Stark verschmutzte, farbechte Buntwäsche (Babywäsche usw.)	4	60°C	•		•	•	75	Hauptwäsche, Spülen, Knitterschutz oder sanftes Schleudern
Stark verschmutzte, farbechte Buntwäsche (Babywäsche usw.)	4	40°C	•		•	•	60	Hauptwäsche, Spülen, Knitterschutz oder sanftes Schleudern
Wolle	5	40°C			•	•	50	Hauptwäsche, Spülen, Knitterschutz und sanftes Schleudern
Sehr empfindliche Stoffe (Gardinen, Seide, Viskose, usw.)	6	30°C			•	•	45	Hauptwäsche, Spülen, Knitterschutz oder abpumpen
Trockengang für Baumwolle	7		•					
Trockengang für Feinwäsche	8		•					
Time 4 you								
Weißwäsche und widerstandsfähige, stark verschmutzte Buntwäsche	9	60°C			•	•	60	Hauptwäsche, Spülen, Zwischen- und Endschleudern
Empfindliche Buntwäsche (leicht verschmutzte Wäsche aller Art).	10	40°C			•	•	40	Hauptwäsche, Spülen und sanftes Schleudern
Empfindliche Buntwäsche (leicht verschmutzte Wäsche aller Art).	11	30°C	•		•	•	30	Hauptwäsche, Spülen und sanftes Schleudern
Sport								
Sportschuhe (MAX. 2 Paar.)	12	30°C			•	•	50	Kaltwäsche (ohne Waschmittel), Hauptwäsche, Spülen und sanftes Schleudern
Stoffe für Sportbekleidung (Trainingsanzüge, Sporthosen usw.)	13	30°C			•	•	60	Hauptwäsche, Spülen, Zwischen- und Endschleudern
TEILPROGRAMME								
Spülen			•			•		Spülen und Schleudern
Schleudern			•					Abpumpen und Schleudern
Abpumpen								Abpumpen

Anmerkungen

- Bei den Programmen 9 sollte eine Beladungsmenge von 3,5 kg nicht überschritten werden.
- Bei dem Programm 13 sollte eine Beladungsmenge von 2 kg nicht überschritten werden.
- Zum Knitterschutz: siehe "Bügelleicht", auf *nebenstehender Seite*. Bei den in der Tabelle aufgeführten Daten handelt es sich um Richtwerte.

Spezialprogramm

Schnelle Wäsche (Programm 11 für Kunstfasern) Kurzprogramm für die tägliche Wäsche leicht verschmutzter Teile: in nur 30 Minuten, zur Einsparung von Zeit und Energie. Stellen Sie dieses Waschprogramm (11 bei 30°C) ein, dann können, bei einer maximalen Lademenge von 3 kg, Gewebe unterschiedlicher Art (mit Ausnahme von Wolle und Seide) zusammen gewaschen werden. *Es ist ratsam, flüssige Waschmittel einzusetzen.*

Einstellen der Temperatur

Durch Drehen des Wahlschalters TEMPERATUR wird die Waschtemperatur eingestellt. (siehe Programmtabelle auf Seite 30). Die Temperatur kann bis auf Kaltwäsche (❄️) herabgesetzt werden.

Trockengang einstellen

Durch Drehen des Wählschalters TROCKNEN kann der gewünschte Trocknungsgrad eingestellt werden. Es stehen zwei Möglichkeiten zur Verfügung.

A - Je nach der Zeit: Von 40 bis 150 Minuten.

B - Je nach Feuchtigkeitsgrad der getrockneten Wäsche:

Bügeltrocken : noch leicht feuchte, einfach zu bügelnde Wäscheteile.

Trocknen und aufhängen : schrankfertige Wäsche.

Schranktrocken : absolut trockene Wäsche, empfohlen für Frotteetücher, Badetücher und -mäntel.

Dem Abschluss des Trocknungsvorgangs folgt eine kurze Abkühlzeit.

Sollte die Ladung der Wäsche, die Sie waschen und trocknen möchten, die vorgegebene maximale Menge überschreiten (siehe seitliche Tabelle), dann stellen Sie zuerst das Waschprogramm ein, nach Ablauf desselben teilen Sie die Wäscheladung und geben nur einen Teil in die Trommel. Befolgen Sie daraufhin die Anleitungen des Abschnitts **Nur Trocknen**. Wiederholen Sie dasselbe nun mit der restlichen Wäschemenge.

Nur Trocknen

Drehen Sie den PROGRAMM-Wählschalter auf einen der Trocknungszyklen (7-8), je nach Gewebe, und wählen Sie daraufhin mittels des Schalters TROCKNEN den gewünschten Trocknungsgrad:

Wichtig: - Während des Trocknens wird ein Schleudergang zwischengeschaltet, wenn eines der **Baumwollprogramme** und einer der **Trocknungsarten** (Schranktrocken , Trocknen und aufhängen , Bügeltrocken) eingestellt wurde.
- Bei Baumwollartikeln bis zu 1 Kg wählen Sie das Trockenprogramm für Fein Stoffe.

Funktionen

Die verschiedenen Waschfunktionen, die Ihnen Ihr Waschtrockner bietet, ermöglichen es Ihnen, hygienisch saubere und weiße Wäsche zu erhalten, die Ihren Wünschen entsprechen. Aktivierung der Funktionen:

1. Die Taste der gewünschten Funktion gemäss untenstehender Tabelle drücken;
2. Das Einschalten bzw. Aufleuchten der entsprechenden Taste zeigt an, dass die Funktion aktiviert wurde.

Anmerkung: Sollte die Taste jedoch auf Blinklicht schalten, bedeutet dies, dass die Funktion zu dem eingestellten Programm nicht zugeschaltet werden kann.

Funktionen	Wirkung	Anleitungen zur Anwendung	Aktiv mit den Programmen:
Startzeitvorwahl (Delay Timer)	Start kann bis zu 9 Std. verschoben werden.	Drücken Sie die Taste so oft, bis die Kontrollleuchte der gewünschten Zeitverschiebung aufleuchtet. Ein fünfter Tastendruck deaktiviert die Funktion. NB: Ist die Taste START/RESET einmal gedrückt, kann der gewählte Zeitverschiebungswert nur noch herabgesetzt werden.	Alle
Bügellicht	Reduziert die Knitterbildung und erleichtert so das Bügeln.	Wurde diese Funktion eingestellt, werden die Programme 4, 5, 6, unterbrochen, das Wasser wird nicht abgepumpt, die Wäsche bleibt im Wasser liegen (Knitterschutz), und die Kontrollleuchte der Spülphase schaltet auf Blinklicht: - um den Waschgang zu beenden, Taste START/RESET drücken; - nur das Wasser abpumpen: Knopf auf das entsprechende Symbol drehen und die Taste START/RESET drücken.	3, 4, 5, 6, 9, 10, Spülen.
Extra spülen	Erhöht die Wirksamkeit des Spülgangs.	Empfehlenswert bei voller Gerätebeladung und hoher Waschmitteldosierung.	1, 2, 3, 4, 9, 10, 12, 13 Spülen.
1400 600	Verringert die Schleudergeschwindigkeit.		Alle, mit Ausnahme 6 und Abpumpen.

Tabelle zur Dauer der Trockenprogramme

Bei den in der Tabelle aufgeführten Daten handelt es sich um Richtwerte.

Gewebeart	Art der Ladung	Max. Lademenge (kg)	Schranktrocken	Trocknen und aufhängen	Bügeltrocken
Baumwolle, Leinen	Unterschiedlich große Wäscheteile	4	130	120	110
Baumwolle	Frotteehandtücher	4	130	120	110
Terital, Baumwolle	Bettwäsche, Oberhemden	2,5	90	80	70
Kunstfasern	Schlafanzüge, Socken usw.	1	65	60	60
Nylon	Feinwäsche, Damenstrümpfe usw.	1	65	60	60

DE

Installation

Beschreibung

Waschprogramme

Waschmittel

Vorsichtsmaßnahmen

Wartung und Pflege

Störungen

Kundendienst

Waschmittel und Wäsche

DE

Waschmittelschublade

Ein gutes Waschergebnis hängt auch von einer korrekten Waschmitteldosierung ab: Eine zu hohe Dosierung bedeutet nicht unbedingt reinere Wäsche, sie trägt nur dazu bei, die Maschineninnenteile zu verkrusten und die Umwelt zu belasten.



Schublade herausziehen und Waschmittel oder Zusätze wie folgt einfüllen:

In Kammer 1: Waschpulver für die Vorwäsche (kein Flüssigwaschmittel)

In Kammer 2: Waschmittel für die Hauptwäsche (Waschpulver oder Flüssigwaschmittel)

Flüssigwaschmittel nur kurz vor dem Start einfüllen.

In Kammer 3: Zusätze (Weichspüler usw.)

Der Weichspüler darf das Gitter nicht übersteigen.

! Verwenden Sie keine Handwaschmittel, sie verursachen eine zu hohe Schaumbildung.

Vorsortieren der Wäsche

- Sortieren Sie die Wäsche nach:
 - Gewebart / Waschetikettensymbol
 - und Farben: Buntwäsche von Weißwäsche trennen.
- Entleeren Sie alle Taschen.
- Das angegebene Gewicht, das sich auf die maximale Ladung an Trockenwäsche bezieht, sollte nicht überschritten werden:
 - Widerstandsfähige Gewebe: max 5 kg
 - Kunstfasergewebe: max 2,5 kg
 - Feinwäsche: max 2 kg
 - Wolle: max 1 kg

Wie schwer ist Wäsche?

- 1 Bettuch 400-500 gr
- 1 Kissenbezug 150-200 gr
- 1 Tischdecke 400-500 gr
- 1 Bademantel 900-1.200 gr
- 1 Handtuch 150-250 gr

Besondere Wäscheteile

Gardinen: Gardinen zusammengefaltet in einem Kissenbezug oder in einem netzartigen Beutel waschen. Waschen Sie diese allein, ohne das Gesamtgewicht für halbe Füllung zu übersteigen. Stellen Sie das Programm 6 ein, das ein automatisches Ausschließen der Schleuder vorsieht.

Skijacken und Anoraks: Sind diese mit Gänse- oder Daunenfedern gefüllt, können sie im Wäschetrockner gewaschen werden. Ziehen Sie die Teile auf links, achten Sie auf eine maximale Beladung von 2/3 kg, wiederholen Sie 2/3 Spülgänge und stellen Sie die Schleuder auf Schonschleudern ein.

Wolle: Verwenden Sie Spezialwaschmittel; Lademenge von 1 kg bitte nicht überziehen.

! Der Waschtrockner wurde nach den strengsten internationalen Sicherheitsvorschriften entworfen und gebaut. Nachstehende Hinweise werden aus Sicherheitsgründen geliefert und sollten aufmerksam gelesen werden.

Allgemeine Sicherheit

- Dieses Gerät wurde für den nicht professionellen Einsatz im privaten Haushalt konzipiert und seine Funktionen dürfen nicht verändert werden.
- Der Waschtrockner darf nur von Erwachsenen und gemäß den Anleitungen dieses Handbuchs bedient werden.
- Berühren Sie das Gerät nicht, wenn Sie barfuß sind, und auch nicht mit nassen oder feuchten Händen oder Füßen.
- Ziehen Sie den Gerätestecker nicht am Kabel aus der Steckdose, sondern nur am Stecker selbst.
- Öffnen Sie die Waschmittelschublade nicht, wenn das Gerät in Betrieb ist.
- Berühren Sie nicht das Ablaufwasser, es kann sehr heiß sein.
- Öffnen Sie das Füllfenster nicht mit Gewalt: Der Sicherheits-Schließmechanismus könnte hierdurch beschädigt werden.
- Bei etwaigen Störungen versuchen Sie bitte nicht, Innenteile selbst zu reparieren.
- Halten Sie Kinder stets von dem in Betrieb befindlichen Gerät fern.
- Während des Waschganges kann das Füllfenster sehr heiß werden.
- Muss der Waschtrockner versetzt werden, sollten hierfür mindestens 2/3 Personen verfügbar sein. (Vorsichtig vorgehen). Versuchen Sie es niemals allein, das Gerät ist äußerst schwer.
- Vergewissern Sie sich, dass die Trommel völlig leer ist, bevor Sie die Wäsche einfüllen.
- Während des Trocknens kann die Gerätetür heiß werden.
- Trocknen Sie keine Wäsche, die in brennbaren Lösemitteln (wie Trielin) gewaschen wurde.
- Trocknen Sie weder Schaumgummi noch ähnliche Elastomer bzw. Gummimaterialien.
- Vergewissern Sie sich, dass der Wasserhahn während des Trocknens auf ist.
- Dieser Waschtrockner kann nur zum Trocknen von in Wasser gewaschener Wäsche eingesetzt werden.

Entsorgung

- Entsorgung des Verpackungsmaterials: Befolgen Sie die lokalen Vorschriften, Verpackungsmaterial kann wiederverwertet werden.
- Gemäß der Europäischen Richtlinie 2002/96/EC über Elektro- und Elektronik-Altgeräte dürfen Elektro-

haushalts-Altgeräte nicht über den herkömmlichen Haushaltsmüllkreislauf entsorgt werden. Altgeräte müssen separat gesammelt werden, um die Wiederverwertung und das Recycling der beinhalteten Materialien zu optimieren und die Einflüsse auf die Umwelt und die Gesundheit zu reduzieren. Das Symbol „durchgestrichene Mülltonne“ auf jedem Produkt erinnert Sie an Ihre Verpflichtung, dass Elektrohaushaltsgeräte gesondert entsorgt werden müssen.

Endverbraucher können sich an Abfallämter der Gemeinden wenden, um mehr Informationen über die korrekte Entsorgung ihrer Elektrohaushaltsgeräte zu erhalten.

Energie sparen und Umwelt schonen

Technologie im Dienste der Umwelt

Glauben Sie, durch das Füllfenster hindurch wenig Wasser zu sehen? Dank der neuen Indesit-Technik genügt die halbe Wassermenge für eine maximale Sauberkeit: eine Maßnahme die zum Schutze der Umwelt angestrebt wurde.

Waschmittel, Wasser, Energie und Zeit sparen

- Verschwendung von Strom, Wasser, Waschmittel und Zeit kann man vermeiden, indem man die Waschtrockner mit der empfohlenen Höchstwäschemenge benutzt. Bei einer vollen Auslastung Ihres Waschtrockners können Sie bis zu 50% Energie sparen.
- Vorwäsche ist nur bei stark verschmutzter Wäsche erforderlich. Durch Vermeidung einer solchen kann Waschmittel, Zeit, Wasser und 5-15% Energie gespart werden.
- Flecken sollten mit einem Fleckenmittel vorbehandelt werden, oder weichen Sie die Wäsche vor der Wäsche ein. Hierdurch können hohe Waschttemperaturen vermieden werden. Ein 60°C-Programm anstelle eines 90°C-Programms, oder ein 40°C-Programm anstelle eines 60°C-Programms hilft bis zu 50% Energie zu sparen.
- Dosieren Sie Waschmittel sparsam je nach Wasserhärte, Verschmutzungsgrad und Wäschemenge, um die Umwelt nicht über Gebühr zu belasten: obwohl sie biologisch abbaubar sind, beinhalten Sie dennoch Stoffe, die die Umwelt belasten. Auch Weichmacher sollten höchst sparsam eingesetzt werden.
- Waschen Sie am späten Nachmittag oder in den ersten Morgenstunden, hierdurch tragen sie dazu bei, die Belastung der Elektrizitätswerke zu mindern. Die Funktion ‚Startvorwahl‘ (siehe Seite 31) hilft Ihnen in dieser Hinsicht außerordentlich.
- Soll die Wäsche in einem Wäschtrockner getrocknet werden, dann stellen Sie eine hohe Schleudergeschwindigkeit ein. Je trockener die Wäsche geschleudert wird, desto niedriger ist der zum Trocknen erforderliche Energieverbrauch.

DE

Installation

Beschreibung

Waschprogramme

Waschmittel

Vorsichtsmaßregeln

Wartung und Pflege

Störungen

Kundendienst

Reinigung und Pflege

DE

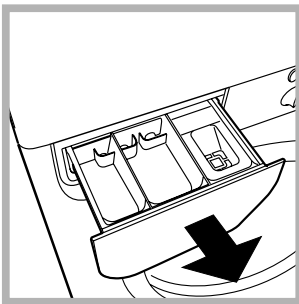
Wasser- und Stromversorgung abstellen

- Wasserhahn nach jedem Waschvorgang zudrehen. Hierdurch wird der Verschleiß der Wasseranlage verringert und Wasserlecks vorgebeugt.
- Ziehen Sie den Stecker aus der Steckdose, bevor Sie Ihren Waschtrockner reinigen.

Reinigung des Gerätes

Die Gehäuseteile und die Teile aus Gummi können mit einem mit warmer Spülmittellauge angefeuchteten Tuch gereinigt werden. Vermeiden Sie Löse- und Scheuermittel.

Reinigung der Waschmittelschublade



Heben Sie die Schublade leicht an und ziehen Sie sie nach vorne hin heraus (siehe Abbildung). Spülen Sie diese regelmäßig unter fließendem Wasser gründlich aus.

Pflege der Gerätetür und Trommel

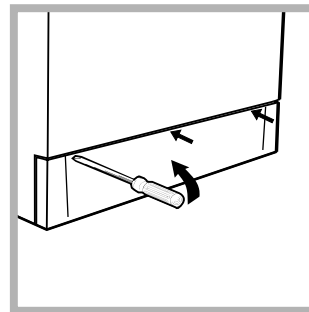
- Lassen Sie die Füllfenstertür stets leicht offen stehen, um die Bildung unangenehmer Gerüche zu vermeiden.

Reinigung der Pumpe

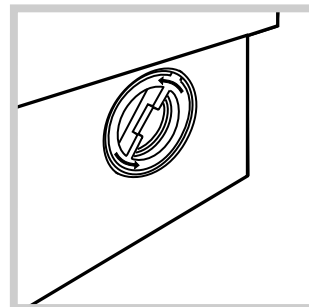
Ihr Gerät ist mit einer selbstreinigenden Pumpe ausgerüstet, eine Wartung ist demnach nicht erforderlich. Es könnte doch einmal vorkommen, dass kleine Gegenstände (Münzen, Knöpfe) in die zum Schutz der Pumpe dienende Vorkammer (befindlich unter der Pumpe) fallen. ! Vergewissern Sie sich, dass der Waschgang abgeschlossen ist und ziehen Sie den Stecker heraus.

! Vergewissern Sie sich, dass der Waschgang abgeschlossen ist und ziehen Sie den Stecker heraus.

Zugang zur Vorkammer:



1. Die Abdeckung (befindlich an der Gerätefront) mit Hilfe eines Schraubenziehers abnehmen (siehe Abbildung);



2. den Deckel gegen den Uhrzeigersinn abdrehen (siehe Abbildung): es ist ganz normal, wenn etwas Wasser austritt;

3. das Innere gründlich reinigen;
4. den Deckel wieder aufschrauben;
5. die Abdeckung wieder anbringen. Stellen Sie hierbei sicher, dass die Haken in die Schlitze eingreifen, bevor Sie die Abdeckung fest andrücken.

Kontrolle des Wasserzulaufschlauchs

Kontrollieren Sie den Zulaufschlauch mindestens einmal im Jahr. Weist er Risse bzw. Brüche auf, muss er ausgetauscht werden. Der starke Druck während des Waschprogramms könnte zu plötzlichem Platzen führen.

! Verwenden Sie niemals bereits gebrauchte Schläuche.

Es kann immer einmal vorkommen, dass Ihr Waschtrockner nicht funktioniert. Bevor Sie sich an den Technischen Kundendienst wenden (*siehe Seite 36*), vergewissern Sie sich zuerst, ob es sich nicht um eine Kleinigkeit handelt, die Sie selbst beheben können. Ziehen Sie hierzu nachstehendes Verzeichnis zu Rate.

Störungen:

Der Waschtrockner schaltet sich nicht ein.

Der Waschgang startet nicht.

Der Waschtrockner lädt kein Wasser.

Der Waschtrockner lädt laufend Wasser und pumpt es laufend ab.

Der Waschtrockner pumpt nicht ab und schleudert nicht.

Der Waschtrockner vibriert zu stark während des Schleuderns.

Der Waschtrockner ist undicht.

Die Kontrollleuchte ON/FÜLL-FENSTER GESPERRT und mindestens eine weitere Kontrollleuchte blinken in raschen Abständen.

Es bildet sich zu viel Schaum.

Der Waschtrockner trocknet nicht.

Mögliche Ursachen / Lösungen:

- Der Stecker steckt nicht in der Steckdose, oder nicht so, dass der Kontakt hergestellt wird.
- Der Strom ist ausgefallen.
- Das Füllfenster ist nicht richtig geschlossen.
- Die Taste (I) wurde nicht gedrückt.
- Die Taste START/RESET wurde nicht gedrückt.
- Der Wasserhahn ist nicht auf.
- Es wurde ein verzögerter Start gewählt (Delay Timer, *siehe Seite 31*).
- Der Zufuhrschlauch ist nicht am Wasserhahn angeschlossen.
- Der Schlauch ist geknickt.
- Der Wasserhahn ist nicht auf.
- Es ist kein Wasser da.
- Der Druck ist unzureichend.
- Die Taste START/RESET wurde nicht gedrückt.
- Der Ablaufschlauch befindet sich nicht auf der vorgeschriebenen Höhe, d.h. 65 - 100 cm vom Boden (*siehe Seite 27*).
- Das Schlauchende liegt unter Wasser (*siehe Seite 27*).
- Der Mauerablauf wurde nicht mit einer Entlüftungsöffnung versehen. Konnte die Störung durch diese Kontrollen nicht behoben werden, dann drehen Sie den Wasserhahn zu, schalten das Gerät aus und fordern den Kundendienst an. Falls Sie in einer der obersten Etagen eines Gebäudes wohnen, kann es vorkommen, dass sich im Syphon ein Vakuum bildet, und der Waschtrockner ständig Wasser ansaugt und wieder abpumpt. Zur Lösung dieser Probleme bietet der Handel spezielle Syphonventile.
- Das Programm siehe kein Abpumpen vor: bei einigen Programmen muss diese Funktion manuell gestartet werden (*siehe Seite 30*).
- Die Option ‚Bügelleicht‘ wurde eingestellt: zur Beendigung des Programms Taste START/RESET drücken (*siehe Seite 31*).
- Der Ablaufschlauch ist geknickt (*siehe Seite 27*).
- Die Ablaufleitung ist verstopft.
- Die Trommel wurde bei der Installation nicht korrekt befreit (*siehe Seite 26*).
- Der Waschtrockner steht nicht eben (*siehe Seite 26*).
- Der Waschtrockner steht zu eng zwischen der Wand und einem Möbel (*siehe Seite 26*).
- Der Zulaufschlauch wurde nicht ordnungsgemäß aufgeschraubt (*siehe Seite 26*).
- Die Waschmittelschublade ist verstopft (*zur Reinigung siehe Seite 34*).
- Der Ablaufschlauch wurde nicht ordnungsgemäß befestigt (*siehe Seite 27*).
- Fordern Sie den Kundendienst an, denn das Gerät signalisiert einen Fehler.
- Das Waschmittel ist für Waschmaschinen nicht geeignet (es muss mit der Aufschrift "Für Waschmaschinen", "Für Handwäsche und Waschmaschinen" usw. versehen sein).
- Es wurde zu hoch dosiert.
- Der Stecker steckt nicht in der Steckdose, oder nicht so, dass der Kontakt hergestellt wird.
- Der Strom ist ausgefallen.
- Das Füllfenster ist nicht richtig geschlossen.
- Es wurde ein verzögerter Start gewählt (Delay Timer, *siehe Seite 31*).
- Der Wählschalter TROCKNEN befindet sich auf Position 0.

DE

Installation

Beschreibung

Waschprogramme

Waschmittel

Vorsichtsmaßnahmen

Wartung und Pflege

Störungen

Kundendienst

Bevor Sie sich an den Kundendienst wenden:

- Kontrollieren Sie zuerst, ob das Problem nicht allein gelöst werden kann (*siehe Seite 35*);
- Starten Sie das Programm erneut, um sicherzustellen, dass die Störung auch wirklich behoben wurde;
- Ist dies nicht der Fall, dann kontaktieren Sie den autorisierten Kundendienst unter der auf dem Garantieschein aufgedruckten Telefonnummer.

! Wenden Sie sich auf keinen Fall an nicht autorisierte Techniker.

Geben Sie bitte Folgendes an:

- die Art der Störung;
- das Maschinenmodell (Mod.);
- die Seriennummer (S/N).

Diese Daten entnehmen Sie bitte dem auf der Rückseite der Maschine befindlichen Typenschild.