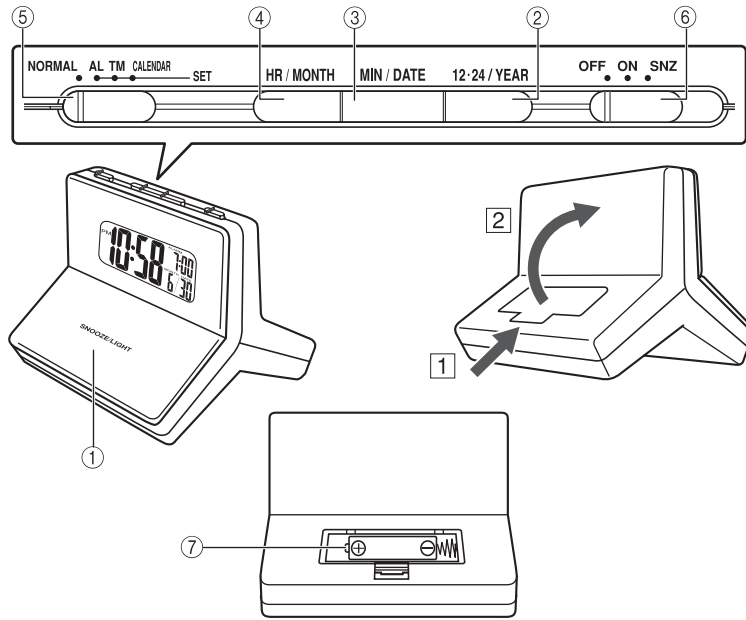
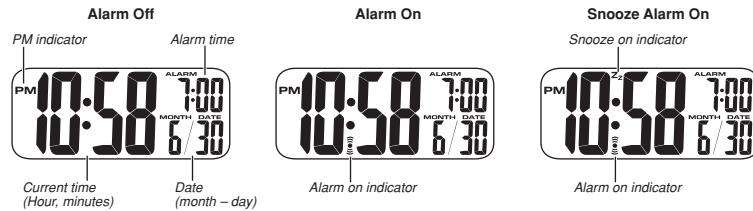


Operation Guide DQ-542/542B

ILLUSTRATION



- A sticker is affixed to the glass of the clock when you purchase it. Be sure to remove the sticker before using the clock.
- Depending on the clock model, its configuration may differ somewhat from that shown in the illustration.



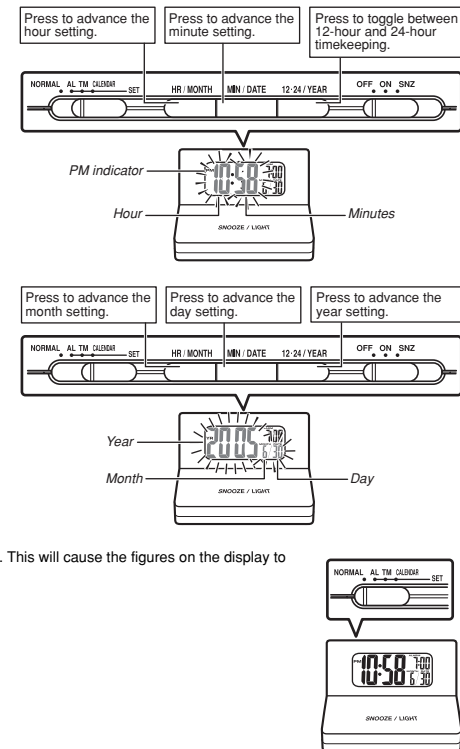
GENERAL GUIDE

- ① **SNOOZE/LIGHT button**
 - Press this button to illuminate the display for about three seconds.
 - Pressing this button while the alarm is sounding stops the alarm.
- ② **12-24/YEAR button**
 - Press this button to toggle between 12-hour and 24-hour timekeeping.
 - Pressing this button while "CALENDAR" is selected by the **Mode switch** ⑤ advances the year setting.

- ③ **MIN/DATE button**
 - Pressing this button while "TM" is selected by the **Mode switch** ⑤ advances the minute setting.
 - Pressing this button while "CALENDAR" is selected by the **Mode switch** ⑤ advances the day setting.
- ④ **HR/MONTH button**
 - Pressing this button while "TM" is selected by the **Mode switch** ⑤ advances the hour setting.
 - Pressing this button while "CALENDAR" is selected by the **Mode switch** ⑤ advances the month setting.
- ⑤ **Mode switch**
 - NORMAL: For normal use
 - AL: For adjusting the alarm setting
 - TM: For adjusting the time setting
 - CALENDAR: For adjusting the date setting
- ⑥ **Alarm Mode selector**
 - SNZ: Snooze alarm on
 - ON: Alarm on
 - OFF: Alarm off
- ⑦ **Battery**

SETTING THE CLOCK

- Slide the **Mode switch** ⑤ to "TM". This causes the current time to flash on the display.
- Use the **12-24/YEAR button** ②, **MIN/DATE button** ③, and **HR/MONTH button** ④ to set the time. Holding down any button advances the corresponding setting at high speed.
 - Make sure you set the correct am/pm time if you are using 12-hour timekeeping. The PM indicator indicates PM times, while nothing is indicated for AM times.
 - The seconds count reverts to 00 automatically whenever you finish adjusting the minute setting.
- Slide the **Mode switch** ⑤ to "CALENDAR". This causes the current date to flash on the display.
- Use the **12-24/YEAR button** ②, **MIN/DATE button** ③, and **HR/MONTH button** ④ to set the date. Holding down any button advances the corresponding setting at high speed.
- You can set the year in the range of 2004 to 2039.



Operation Guide DQ-542/542B

CASIO®

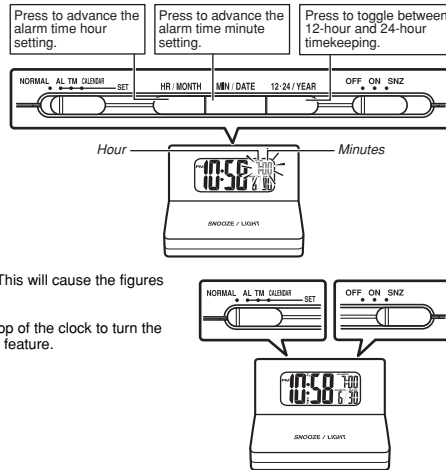
USING THE ALARM

The alarm sounds when the current time reaches the alarm time. The face illuminates for the first 5 seconds of the alarm operation as well. The alarm tone alternates between three levels.

You can also use the **Alarm Mode selector** ⑥ to select the snooze alarm feature.

Setting the Alarm Time

- Slide the **Mode switch** ⑤ to "AL". This causes the alarm time setting to flash on the display.
- Use the **12-24/YEAR** button ②, **MIN/DATE** button ③, and **HR/MONTH** button ④ to set the alarm time. Holding down the **MIN/DATE** button ③ or **HR/MONTH** button ④ changes the corresponding setting at high speed.
 - Make sure you set the correct am/pm time if you are using 12-hour timekeeping. The PM indicator indicates PM times, while nothing is indicated for AM times.
- Slide the **Mode switch** ⑤ to "NORMAL". This will cause the figures on the display to stop flashing.
- Turning the Alarm On and Off
Use the **Alarm Mode selector** ⑥ on the top of the clock to turn the alarm on and off, and to select the snooze feature.



USING THE LIGHT

Hold down the **SNOOZE/LIGHT** button ① to illuminate the display. The light will go out automatically after about three seconds, even if you keep the button depressed.

Important!

- Overuse of the light can shorten battery life.

BATTERY REPLACEMENT

Replace the battery whenever the display of the clock becomes dim and difficult to read.

- Open the battery compartment cover as shown in the illustration.
- Remove the old battery.
- Load a new battery. Make sure that the positive (+) and negative (-) ends of the battery are facing correctly. An incorrectly loaded battery can burst and damage the clock.
- Replace the battery compartment cover.

Battery precautions

- Keep batteries out of the reach of small children. If a battery is swallowed accidentally, contact your physician immediately.
- Be sure to load the battery with its positive (+) and negative (-) ends facing correctly.
- Never charge the battery that comes with the clock.
- Should a battery ever leak while in the clock, wipe out the fluid with a cloth, taking care not to let any get onto your skin.
- Replace the battery at least once a year, even if the current battery is working properly.
- The battery that comes with the clock loses some power during transport and storage.

| Alarm Mode selector | Description |
|--------------------------------------------------------------------------|---------------------------------------------------------------------------------------------------------------------------------------------------------------------------------------------------------------------------------------------------------------------------------------------------------------------------------------------------------------------------------------------------------------------------------------------------------------------------------------------------------------------------------------------------------------------------------------------------------------------------------------------------------------------------------------------------------------------------------|
| SNZ $\left(\begin{matrix} Z_z \\ \text{OFF} \end{matrix} \right)$ | <p>The alarm sounds at the preset time for one minute. You can stop the alarm by pressing the SNOOZE/LIGHT button ①. The snooze feature will cause the alarm to sound again about five minutes after it stops. A Z_z indicator flashes on the display during the period between alarms.</p> <ul style="list-style-type: none"> If you keep stopping the alarm manually by pressing the SNOOZE/LIGHT button ① The alarm will sound again, about five minutes after you stop it. If the alarm is not stopped manually The alarm will sound three times for one minute, at five-minute intervals. After that the snooze feature will be cancelled automatically. |
| ON $\left(\begin{matrix} \text{OFF} \\ \text{OFF} \end{matrix} \right)$ | The alarm sounds at the preset time for one minute. |
| OFF | The alarm does not sound. |

- The light also turns on for the first five seconds that the alarm sounds.

Stopping the Alarm

- When alarm is sounding, press the **SNOOZE/LIGHT** button ① to stop it. When the snooze feature is turned on, the alarm will sound again in about five minutes.
- To turn off the snooze feature, slide the **Alarm Mode selector** ⑥ to OFF.

Testing the alarm

- While the mode switch setting is "NORMAL", hold down the **HR/MONTH** button ④ and **MIN/DATE** button ③ at the same time to sound the alarm. All of the display's digital segments will appear at this time. Release the buttons to stop the alarm.