

# GE Front Loading Laundry Pair Installation Options



*We bring good things to life.*

36"

25-3/4"

70-5/8"

25-3/4"

26-3/4"

Countertop

Dryer Top S

3/4" High Lip on All Sides

A

B

C

# 4

# Guidelines to

## Washer:

- Install separate Hot & Cold faucets within 42" of the washer inlet.
- Provide a standpipe, 1-1/4" min. dia. and 24" min., 58" max. high. The attached drain hose will reach a 58" standpipe.
- The washer must be supplied with 120 volt, 60 Hz., and connected to an individual, properly polarized and grounded branch circuit protected by a 15 amp circuit breaker or time delay fuse. The 3 prong receptacle must be located where it will be accessible when the washer is installed. Power cord length is 36".
- Follow the installation instructions packed with the product to remove shipping bolts and materials.
- Some installations require a pan to hold the washer. Local codes to apply. Pan size to fit washer.

\* **Note:** Standpipes up to 96" high can be accommodated with a longer drain hose.

## Dryer:

- Provide 4" min. dia. rigid metal duct for best performance. Plan the shortest and straightest duct run possible. The dryer must ALWAYS be exhausted to outdoors.
- Electric models can exhaust 4 ways, from the right or left side, rear or bottom. Gas models can exhaust 3 ways, from the right side, rear or bottom. Both gas and electric models are shipped for rear exhaust.
- The dryer must be connected to an individual branch circuit protected by the required time delay fuses or circuit breakers. 208V or 240V installation requires 30 amps. (Gas dryers require 120V, 60Hz, 15 or 20 amp circuit.) Locate the receptacle where it will be accessible when the dryer is installed. Power cord length is 36".
- Follow the installation instructions packed with the product to complete the installation.

Note: Do not discard shipping bolts, clips or any parts removed during installation. The consumer should keep unused parts for possible future use or shipping.

## Washer Clearances:

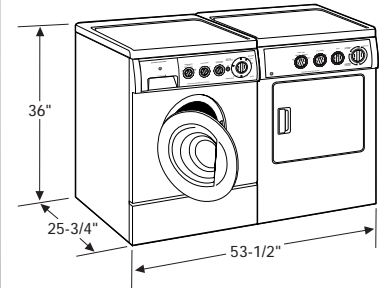
- Allow 1-1/2" from the back of the washer to rear wall for drain hose and standpipe. 0" to both sides.

## Dryer Clearances:

- 0" to either side, 3" rear, 3" clearance at the front, when installed into a recess or closet. When installed in a closet allow a min. of 120 sq. inches of opening such as louvers on the door.
- For complete installation instructions refer to washer Pub. No. 31-2819 and dryer Pub. No. 49-9963.



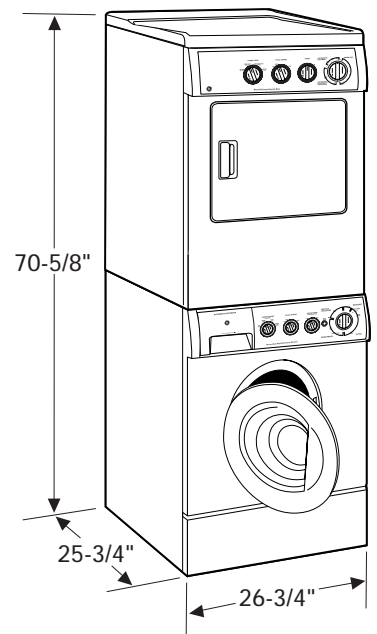
## Side-By-Side



- This laundry pair requires a 53-1/2" wide space. No special installation requirements, install in the same manner as any other laundry pair.
- Allow additional 3" minimum behind the dryer for duct connection and 1-1/2" minimum behind the washer for standpipe.



## Stacked



## Optimize space and efficiency.

No trim kits to order, no additional cost.

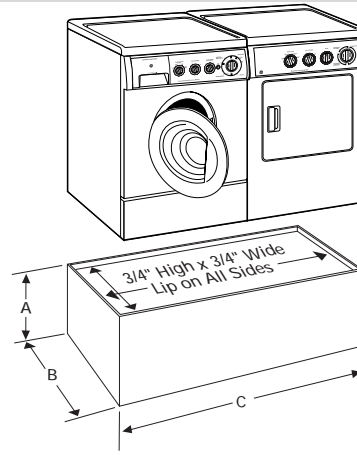
Mounting brackets are supplied with the dryer.

- Remove washer top cap, install brackets and mount the dryer over the washer.

- The stacked pair is only 70-5/8" tall. The dryer door will be eye-level, an easy reach for most users.

- Install the washer and dryer according to the installation instructions packed with the products.

# Installation Options



Elevate the pair for easy accessibility and a custom appearance.

**DIMENSION A:**

14" recommended, however this laundry pair can be elevated to suit customer needs.

- All four sides of the platform should be permanently secured and extend a minimum of 3/4" above the platform.
- Height is only limited by the use of overhead cabinetry.

- The standpipe height must be increased to accommodate additional installation height.

**DIMENSION B:**

- The platform must be constructed to include a 3/4" high and 3/4" wide lip all the way around the top edge. The outside depth should be 29" minimum. Consideration

should be given to the location of the washer standpipe and dryer duct run.

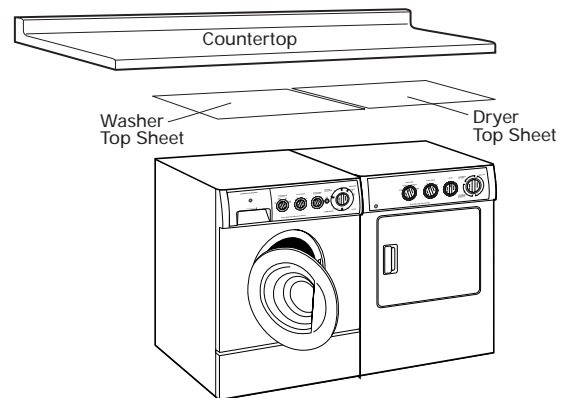
**DIMENSION C:**

- The outside width should be wide enough to accommodate the laundry pair, plus a 3/4" lip on each side. Recommend 56" to 60" width.

- The platform surface must be constructed to minimum code floor requirements.
- The structure must be secured to a rear wall.
- To complete the installation follow instructions packed with the washer and dryer.
- Order Built-In Instructions, Pub. No. 14-T029
- No trim kits required.



## Under Counter



Create an efficient work space for folding and storage.

- Top caps on the washer and dryer must be removed and replaced with a top sheet kit. The addition of a standard 1-1/2" thick countertop over the pair will result

- in a standard 36" countertop height.
- Install the washer and dryer according to the installation instructions packed with the products.

- Install an extra deep countertop to accommodate the laundry pair. Adjacent cabinets can be moved forward to align with the front face of the washer and dryer.

- Order Accessory Kits: Washer Pub. No. 14-A037  
Dryer Pub. No. 14-A008



**GE Appliances**

---

General Electric Company  
Louisville, Kentucky 40225  
[www.ge.com/appliances](http://www.ge.com/appliances)



Listed by  
Underwriters Laboratories

Pub. No. 14-T019  
N.D. 413 (8/99)