

Creda



How to get the best out of your
Creda 1200 Cascade
Washer/Dryer

Ecowash Series

Model 17345

You must read these instructions prior to using the
appliance and retain them for future reference

Creda 1200 Cascade Washer/Dryer

Ecowash Series

This instruction book applies to the following model:

Creda 1200 Washer/Dryer Cascade Ecowash (17345) White

Now that you are the owner of a Creda automatic Washer/Dryer, it is important that you read this book carefully. This book will tell you how to get the best from your new Creda Washer/Dryer to ensure that you always obtain the cleanest, freshest wash possible. You must read it through carefully before your first wash and/or dry.

IMPORTANT

TO PROTECT YOUR NEW WASHER/DRYER DURING TRANSIT SEVERAL INTERNAL COMPONENTS HAVE BEEN SECURED WITH TRANSIT PACKING. THIS PACKING MUST BE REMOVED BEFORE USING THE MACHINE. DETAILS OF TRANSIT BRACKET REMOVAL ARE PLACED ON THE REAR OF THE MACHINE.

FOR INSTALLATION AND PLUMBING PLEASE SEE THE ADDITIONAL INSTALLATION INSTRUCTION SHEET. NEVER REMOVE THE TOP AND REAR PANEL WHILST THE MACHINE IS PLUGGED INTO THE ELECTRICITY SUPPLY.

AS WITH ANY ELECTRICAL PRODUCT, CHILDREN MUST NOT BE ALLOWED TO PLAY WITH OR OTHERWISE INTERFERE WITH THE WASHER/DRYER.



Creda Limited
Creda Works
Blythe Bridge, Stoke-on-Trent
England ST11 9LJ
Telephone: 01782 388388

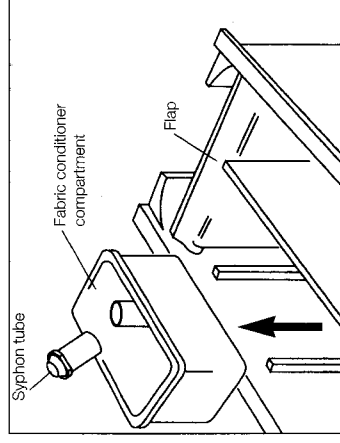
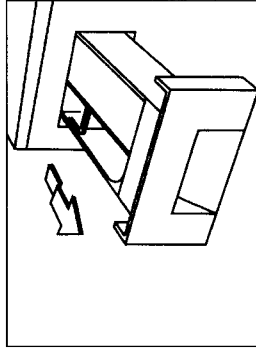
Contents

Electrical requirements	3
Know your machine	4
Controls	4-5
Detergent dispenser	5
Tumble drying	6-7
Using the tumble dryer	7
To carry out a simple wash	8
Variations on a simple wash	9
Drying	9
Detergents, conditioners	10
Water hardness	11
Wash codes programme guide	12-13
Stain removal	14
Regular checks	15
Unpacking & Installation	16-21
Instructions	16-21
Something wrong with your machine	22
Care and cleaning	23
Optional extras	23
For details of spares, service and guarantee see separate service leaflet.	

Care and cleaning

After use of the appliance:

- Open the door. Clean and dry the rubber door seal and porthole; close the door.
- Switch off the supply at the socket. Turn off the water taps.
- Occasionally remove the detergent dispenser drawer from the detergent box by pulling out sharply beyond the stop. Clean any powder and fabric conditioner deposits from the drawer and from inside the box. Remove the syphon cap from the drawer and wash in clean water. Replace the syphon ensuring that it is fitted correctly. Replace the drawer. To overcome the initial resistance, the front face of the drawer should be struck sharply with the palm of the hand.



- Wipe the cabinet and top with a clean damp cloth. A cleaner may be used but should not contain any abrasive that could damage the paintwork or plastic mouldings. Occasionally select a rinse and spin programme with the drum empty. This will wash away any remaining fluff and ensures that this is not redeposited on the wash load. **This is particularly important if you regularly dry fluffy loads, eg. nappies, towels, etc.**

Maintenance Wash

If you use liquid detergent regularly or wash at low temperatures, we recommend that you carry out a maintenance wash two or three times a year. Simply run the machine on a hot wash programme with the usual amount of detergent, but without any clothes in the drum, to avoid build up of greasy deposits and water hardness residue.

Optional extras

If only a cold water supply is available, you will need a special adaptor. This is available as an optional extra.

Also available are longer fill hoses and a drain hose extension kit for applications where it is not possible to move the home plumbing closer to the machine.

These can be obtained from your local retailer or Creda Limited, Spares and Service Division, CredaCare Building, Creda Works, Blythe Bridge, Stoke-on-Trent ST11 9LN. Telephone: 01782 388300.

Plumbing service

Creda Limited offers a Washer/Dryer plumbing-in service for Creda appliance owners at competitive rates.

If you require your Washer/Dryer to be professionally installed please contact your local CredaCare number for a quotation. See separate service leaflet.

Replacement fuse covers

(See page 3)

These can be obtained from your local retailer or Creda Limited, see separate spares and service leaflet.

Something wrong with your machine

Before calling out a service engineer, have a quick look through the following fault finding list — it could save a lot of time and trouble.

SYMPTOMS	POSSIBLE CURE
It won't start	Is it switched on at the mains? Is there a fuse in the plug and, if so, has it blown? Are all the wires in the plug correctly secured? Have you pressed in the On/Off button? Has the washing programme been set? Has the drying cycle selector been set? Is the door properly shut?
It doesn't fill	Are the taps and stop cocks turned on? Are the water inlet hoses kinked? Have you switched the electricity/machine on?
It's slow to fill	Check that the water pressure is correct. Are water taps in use elsewhere in the house?
It won't empty	Is the drain hose kinked?
It takes a long time to heat up	Your own hot water supply may not be hot enough so that it takes the machine longer to heat the water to the wash starting temperature. Check fill hose connections, they may be the wrong way round.
Drum keeps on stopping and starting	It should do, as this is the normal washing and drying action.
Suds are overflowing	You could be using the wrong type of powder or too much. To remove the suds, release On/Off button. Advance the Programme in the On/Off button to turn the machine back on.
Machine stops at end of final rinse	Is Crease Care button selected?
Door will not open	Check that: 1. The Power indicator light is off. Note: Do not attempt to force the door until the light has gone out. 2. The machine is stopped (drum stationary). 3. The water level is below the door window.
It makes a noise when it spins	Some noise is unavoidable with all machines. However, if the machine is standing on a flat surface and not touching anything, if persistent, check that transit brackets have been removed properly. (See installation, pages 16-21).

SYMPTOMS	POSSIBLE CURE
Machine continually emptying	This is probably as a result of the end of the outlet hose being less than 50cm from the floor.
Water is leaking out	Are the hot and cold water inlet hose connections to the machine tight enough and are the seal washers in position? Is the detergent dispenser drawer fully closed? Is the outlet from the detergent dispenser blocked? Has Crease Care been selected and timer advanced manually instead of de-selecting Crease Care?
It takes longer than normal to dry	Have you selected the correct time on the drying selector? Have you selected the correct drying programme? (See page 7.) Are there too many garments in the drum? Have you forgotten to turn the cold water supply on for drying cycle?
The clothes come out wet	You may have selected the wrong programme for the type of fabric? (See Programme Guide). Have you neglected to select a drying position? Have you selected a cool tumble position only? Have you dried too many garments in weight? Have you forgotten to turn the cold water supply on for drying cycle? Was a large bulky item being washed? See page 9.
Fabrics conditioner syphoning prematurely	Is the quantity of conditioner being used correct? Is the drawer being 'slammed' shut? — if so, a wave effect occurs and the fabric conditioner may operate the syphon. Is the drawer pushed fully home? — even if the drawer is only opened momentarily during filling, premature syphoning may occur. Is the machine leaning backwards, if so the syphon may operate. If premature syphoning does occur on your Washer/Dryer, this can be drastically reduced by using concentrated fabric conditioner rather than the normal.

If you have been through the symptoms listed and your machine is still not working properly, refer to the separate service leaflet.

Electrical requirements

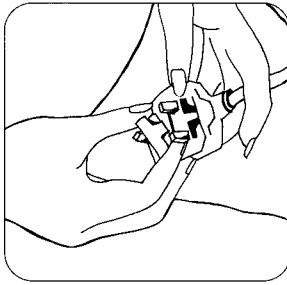
This appliance should be connected to the mains supply via a suitable switched socket in an accessible position.

WARNING: THIS APPLIANCE MUST BE EARTHED.

FUSES

Your appliance comes fitted with a plug and a 13A fuse. If you need to replace the fuse, only those rated at 13A and ASTA approved to BS1362 should be used. If you lose the fuse cover, a replacement may be obtained from your local authorised Creda Service Centre, or Electricity company. Correct replacement is identified by colour coding, or marking on base of plug.

WARNING: DO NOT USE PLUG UNLESS FUSE COVER IS FITTED.



CHANGING THE PLUG

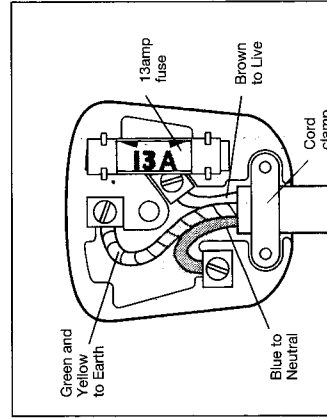
Cut off and dispose of the supplied plug if it does not fit your socket.

WARNING: TO AVOID A SHOCK HAZARD DO NOT INSERT THIS PLUG INTO A SOCKET ANYWHERE ELSE.

IMPORTANT: WIRES IN THE MAINS LEAD ARE COLOURED IN ACCORDANCE WITH THE FOLLOWING CODE:

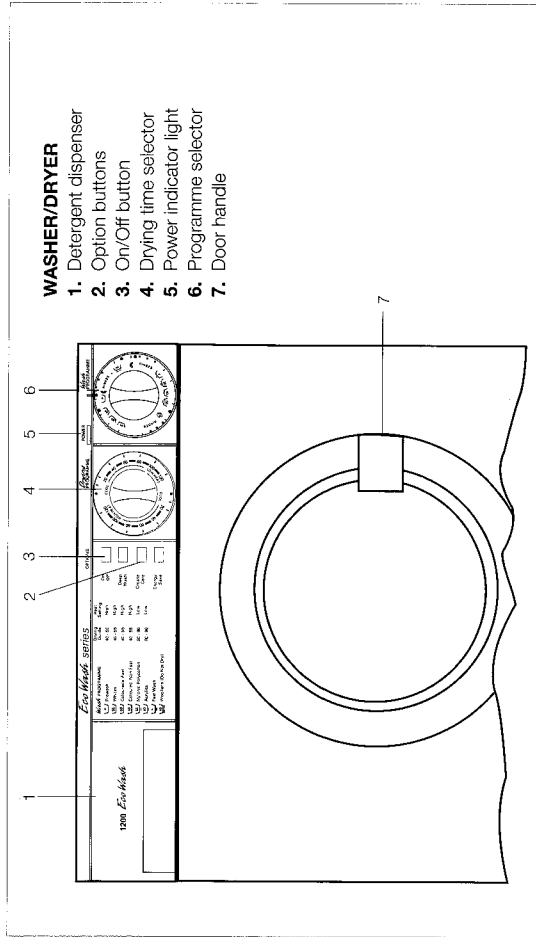
- Green/Yellow — Earth
- Blue — Neutral
- Brown — Live

If you change the plug, the colour of wires in the mains lead may not correspond with the colour of the markings identifying terminals in the plug. You should therefore wire it as shown (see illustration). If the mains lead needs to be replaced at any time, it should be replaced by a special lead obtainable from your local authorised Creda Service Centre. A charge will be made if you have damaged the existing lead or require a longer one. It is strongly advised that this work is carried out by a qualified electrician.



CE MARKING CERTIFIES THAT THIS APPLIANCE COMPLIES WITH REQUIREMENTS LAID DOWN IN EEC DIRECTIVE 89:336 (ELECTROMAGNETIC COMPATIBILITY) AND SUBSEQUENT MODIFICATIONS AND LOW VOLTAGE DIRECTIVE 73/23/EEC.

Know your machine



WASHER/DRYER

1. Detergent dispenser
2. Option buttons
3. On/Off button
4. Drying time selector
5. Power indicator light
6. Programme selector
7. Door handle

Controls

Door

Do not try to open the door until the Power indicator light has gone out, as forcing the door could damage the appliance. The illumination shows that the safety interlock is engaged. Approximately one minute after the wash programme has finished the light will go out and the door release lever can be pulled to gain access. Check that there is no water in the drum before opening. When opening the door during the drying cycle always select a cool tumble period for a few minutes before switching off and opening the door.

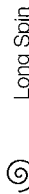
Power indicator light

This light will glow when the machine is connected to the electricity supply at the wall socket and power switched on.

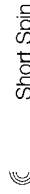
Programme selector

The selector is marked with the following symbols

- Prewash
- Fast Wash
- Wash Programme



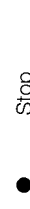
Long Spin



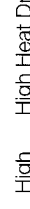
Short Spin



Drying Time

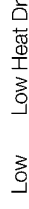


Stop



High

High Heat Dry (Drying time selector)



Low

Low Heat Dry (Drying time selector)

The selector is divided into three sections marked for programmes ; and for programmes / and for programme .

The numbered washes are to I.T.C.L. (International Textile Care Label) specifications. The selector can be set for Rinses and Spin, Spin only, Dry only and Fast wash programmes.

Each programme has a positive select point which can be detected when the programme selector is turned slowly.

Installation instructions

Checking water pressures

Cold Water

With the taps full on check the time it takes for the machine to fill.

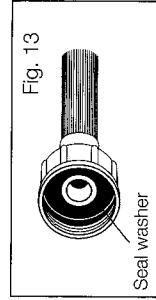
1. Close the door and the detergent drawer.
2. Set the Programme Selector Dial to Prewash. This is cold fill only.
3. Press in the On/Off button to switch the machine on. Measure the time it takes for the water level to reach the lower lip of the drum. This time should be between 1 1/4 and 4 minutes, if the time exceeds 4 minutes then the water flow is insufficient.
4. Release the On/Off button to switch the machine off.
5. Turn the Programme Selector to a spin position. Press in the On/Off button and allow the machine to empty.

Hot water

1. Close the door and the detergent drawer.
 2. Set the Programme Selector Dial to programme position . **DO NOT** press any Option buttons.
 3. Press in the On/Off button to switch on the machine. Check the time it takes for the water level to reach the lower lip of the drum. This time will be more than 1 1/2 minutes and should be less than 9 minutes.
 4. Switch off the machine.
 5. Turn the Programme Selector to a spin position. Press in the On/Off button and allow the machine to empty.
- NB.** If your water pressure is too low, contact your local Creda Spares Centre.

Points to watch

1. Avoid kinks in the filling and drain hoses – support hoses if necessary.
2. When fitting the filling hose ensure the rubber sealing washers are correctly in position. See Fig. 13, do not overtighten connectors.
3. **If the water is discharged into a sink make sure that the end of the drain hose is always above the water level in the sink, otherwise syphoning will take place.**
4. Ensure that plumbing which is installed meets requirements of the local authority.



Installation instructions

Fitting the drain hose

DO NOT POSITION THE DRAIN ARRANGEMENT NEAR TO AN ELECTRICAL SOCKET OUTLET. DO NOT SHORTEN THE DRAIN HOSE.

We recommend using one of the following methods:

Into a standpipe Fig. 10

which is connected to

- A discharge stack pipe or
- An external gully or
- A sink waste system.

The standpipe should have a bore of at least 38mm (1 1/2in). It should be installed as shown, have a trap fitted and must discharge into the same drain system as your household sinks. It must not be connected to a surface water drain.

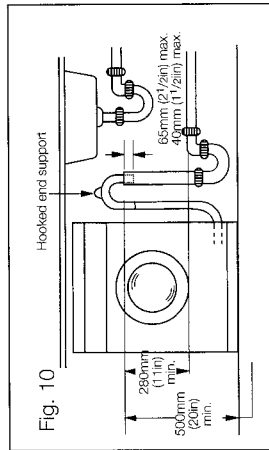


Fig. 10

DO NOT REMOVE THE HOOKED END SUPPORT AND PUSH THE HOSE TOO FAR DOWN A STANDPIPE. MAKE SURE THE HOSE IS NOT SQUASHED OR KINKED.

Into a sink waste system Fig. 11

BEFORE CONNECTING THE DISCHARGE HOSE REMOVE ANY INTERNAL RESTRICTION FROM THE WASTE SPIGOT. THIS PREVENTS A BUILD UP OF DEBRIS, CAUSING A FLOW REDUCTION AND INCREASING THE RISK OF BLOCKAGE.

Install the hose as shown and connect to the spigot using a 'Jubilee' type clip. If your sink has no overflow, it must not be used or the plug left in while the machine is working unless a proprietary anti-siphon air break is fitted to the system.

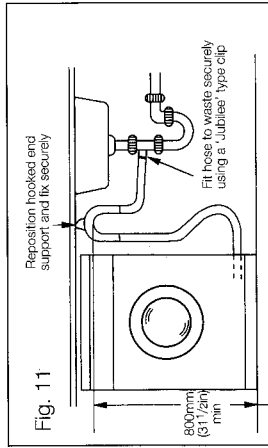


Fig. 11

Into the sink Fig. 12

Your machine will drain into a standard worktop height sink providing the sink has an outlet pipe of at least 32mm (1 1/4in). Make sure that the sink plug, dishcloths, etc. do not fall into the sink and block the outlet while the machine is working.

Ensure the end of the hose is above the water level in the sink to avoid siphoning.

If your sink is inset, the front edge of the basin must be less than 75mm (3in) from the front of your worktop.

Note: It is very important for you to turn Off your washing machine taps when the machine is not in use.

Note: All flexible hose connections to be secured with 'Jubilee clips'.

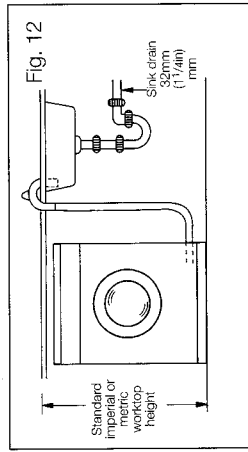


Fig. 12

To start any wash, wash/dry or dry only, the programme selector knob must be turned to the programme required before pressing the On/Off button.

The selector must be turned clockwise and must not be turned when On/Off button is in the 'On' position.

Programmes , and will finish in the stop/dry position marked and programmes , and will finish in the stop position marked .

If you need to change the programme or stop the machine, release the On/Off button, select the programme (and/or drying time) you require and push in the On/Off button.

Drying time selector

Your machine is fully automatic. On completion of all wash programmes except wool the washing will be automatically tumble dried if a time has been selected on the Drying Time Selector. Heat settings must also be set. The Drying Time Selector is split into two sectors;

- 0-120 for High heat
- 0-120 for Low heat

Both sectors include a period of cool tumble at the end of the drying cycle.

The selector may be turned clockwise between ● and 120 minute positions, but you must **NEVER ATTEMPT TO MOVE THE SELECTOR BACK ANTI-CLOCKWISE THROUGH THE 0 POSITION AS THIS MAY CAUSE DAMAGE TO THE TIMER.** To start any programme even when just drying, it is only necessary to press in the On/Off button.

NOTE:
1. Remember woollens should not be tumble dried.

Mains On/Off

Press the On/Off button as indicated above, to start the wash programme. The Power indicator light will glow. On completion of the programme, after one minute the indicator light will go out and the On/Off button can be reset.

Option Buttons

The option buttons allow you to vary the content of the wash programme. They do not affect drying.

To select an option press the button . To cancel an option press the button .

Deep Wash

Selecting this option will increase the amount of water used during the rinsing and will improve

rinse performance for people who have sensitive skin. **This feature will not function with the programme, as this programme automatically has increased water for washing and rinsing.**

Crease Care

This option will only function with programmes , and and can be used to help reduce creasing. When selected, the machine will stop its programme just before the final short spin, with the clothes immersed in the final rinse water. This option should be selected when washing delicate or synthetic articles if they are going to be left in the wash drum for a long time after the wash programme is completed, in order to prevent the garments from becoming heavily creased.

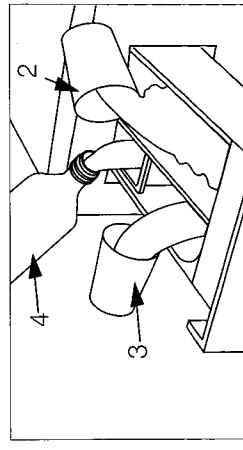
To start the machine again for the final spin, simply re-select Crease Care button – after a few seconds the programme will continue with the final spin routine.

Energy Save

This option can be selected when washing lightly soiled garments only. Selecting this option will mean the programme will advance rapidly through the heat cycle, so all washing will be done at the temperature of the water entering your machine from the hot and cold water supplies. This will save time and electricity, but will mean a shorter, cooler wash. On prewash, programme the water is heated to 30°C, instead of 40°C, when Energy Save is selected.

Detergent Dispenser

The detergent dispenser has three compartments, two for detergent and one for fabric conditioner.



NOTE: When fabric conditioner is added, the compartment **must not** be overfilled. To avoid clogging, detergent **must not** be allowed to get into the fabric conditioner compartment.

Do not pull out the drawer when the machine is filling.

Tumble drying

Introduction

A tumble dryer gently tumbles the wet clothes in a current of warm air after they have been spun. Moisture is evaporated until the clothes are quite dry, much like what takes place outdoors in a fresh breeze on a fine sunny day, in a clean fresh atmosphere.

But a good tumble dryer can do much more than this.

A good tumble dryer reduces unwanted creases as it dries, creases that may have been put in during spinning.

Many fabrics used in the manufacture of clothing and household textiles tend to undergo some changes of size when laundered. This size change is due to relaxation of fibres, which have been stretched during spinning and weaving, and which tend to return to their unstretched state when immersed in water. These fibres normally stretch again in use, and even hanging wet on a line stretches the material to some extent. Tumble drying does not put any tension on the fabric as line drying does, and the difference may therefore appear more noticeable when garments are dry.

During drying the moisture evaporated out of the clothes is condensed out of the circulating air using cold water from the mains. The water is then pumped away to drain.

Cautionary notes

Flammable substances

The machine will only tumble dry articles that have been well washed in water and detergent and well rinsed and spun. Never dry articles that are contaminated with flammable substances such as:

Petrol, oil, paint, cleaning solvents, wax, hair lacquer, creams, cooking fat or oil.

For the same reason you must not tumble dry rubber, foam rubber, plastic, plastic foam, nappy pants and liners, polythene and paper or any garments that have been dry cleaned.

Wool

Woolen articles should not be dried in the dryer unless they are labelled with the 'May be tumble dried' symbol. If in any doubt do not tumble dry wool. Unlike other materials, the mechanism of wool shrinkage is irreversible i.e. it will not stretch back to its original size and shape.

Maximum loads – dry weights

The maximum load for tumble drying varies according to the type of material. Your Creca Washer/Dryer will dry a maximum 2.3kg (5lb) cottons.

You must follow the recommendations given in the Drying Chart. When the machine has come to rest after the final spin any excess of clothes must be removed and the remainder redistributed to enable them to tumble freely. If necessary the clothes must also be sorted according to fabrics indicated in the Drying Chart. **DO NOT OVERLOAD YOUR MACHINE. IT MAY DAMAGE ITEMS OF CLOTHING AND REDUCE THE QUALITY OF THE WASH AND DRY RESULTS.**

Cool tumble period

Before clothes stop tumbling the heater will automatically switch off and the clothes will continue to tumble for up to 10 minutes in cool air. This cool tumble period is essential for all fabrics - to reduce the temperature of the load and to reduce creasing.

Always use the cool cycle to cool the load down before removing garments from the drum. **Never switch the machine off leaving a hot load in the drum.**

What can be tumble dried

The following symbols may be found on the care labels of garments:

- indicates article may be tumble dried
- indicates article must not be tumble dried.

Notes:

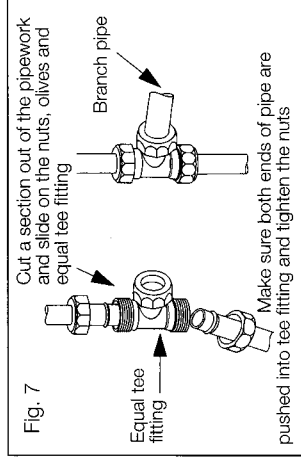
Never tumble dry dripping wet garments, always spin them first.

Large very bulky items such as continental quilts and pillows should not be dried as it is essential that the load can tumble so that the air can pass through to dry items.

Articles that contain safety pins, hair grips, metal fastenings or stiffening (eg. bra wires) that may become detached should not be placed in laundry appliances. If they tumble free they could interfere with mechanical or electrical parts of your Washer/Dryer.

Installation instructions

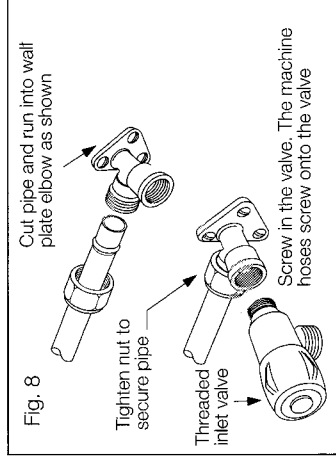
Fitting a branch pipe



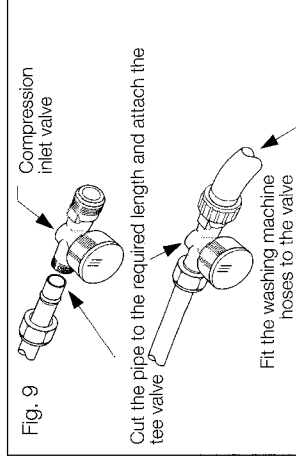
After fitting the branch pipe, you must now fit a valve to the end of each pipe. We recommend you use one of the following valves.

- (a) Threaded inlet valve. Fig. 8.
- (b) Compression inlet valve. Fig. 9.

a. Fitting a threaded inlet valve



b. Fitting a compression inlet valve



Installation instructions

Connecting the inlet hoses to the water supply

Using existing taps

1/2in Round - the most common tap in homes. Adaptors are available through builders' merchants. If you have any difficulty, contact your local dealer (see Fig. 3).

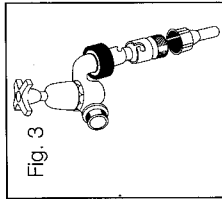


Fig. 3

3/4in and 1in Round - all

oval taps. This multi-tap adaptor is supplied with a selection of sealing washers for use on any of the above taps. This is available from builders' merchants. If you have any difficulty, contact your local dealer. (see Fig. 4).

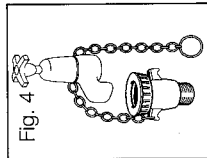


Fig. 4

Fitting a slip-fitting tee valve

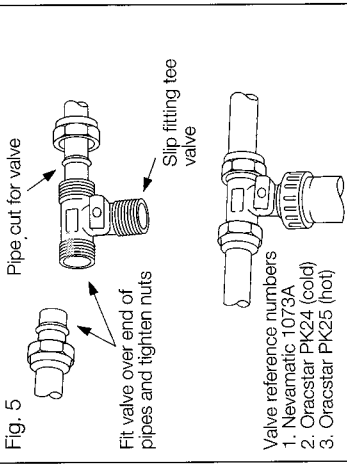


Fig. 5

Pipe cut for valve
Slip fitting tee valve
Fit valve over end of pipes and tighten nuts

Valve reference numbers
1. Nevamatic 1073A
2. Oracstar PK24 (cold)
3. Oracstar PK25 (hot)

Fitting a self-cutting valve

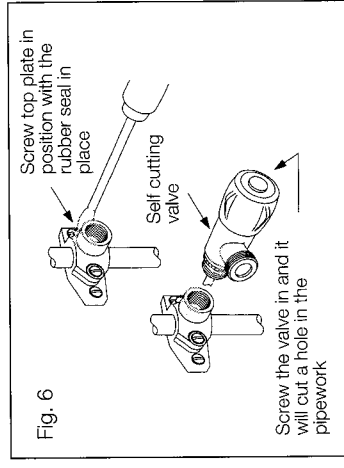


Fig. 6

Screw top plate in position with the rubber seal in place
Self-cutting valve
Screw the valve in and it will cut a hole in the pipework

Valve reference numbers

1. Opella DIY 3
2. Oracstar PK5
3. Oracstar PK14
4. Tapimatic T.S 15

Method 2

If the water pipes are out of reach, you will need to fit an equal tee and branch pipe to both hot and cold pipes.

Using the tumble dryer

Your machine may be used either to automatically tumble dry after a wash cycle or to tumble dry only.

The cold water supply to your machine must be turned on before you use the tumble dryer.

As a general guide the Drying Chart gives recommended information for various materials.

Before tumbling

Please read the cautionary notes

It is very important to follow carefully each garment manufacturer's washing and drying instruction, as given on the Care Label attached to the garment.

Fabric conditioner added to the final rinse will give even more softness to all fabrics and is invaluable for reducing the static electricity which causes easy-care fabrics to cling and attract dirt.

Making up loads

Clothes should be sorted into loads of similar fabrics before drying. Cotton which needs ironing can be dried to a suitable dampness. Towels and other cotton items which do not need ironing can be fully dried and these will be ready to wear or store as soon as they are taken from the dryer.

Heavy fabrics should be dried separately from lightweight fabrics. Loose belts, apron strings etc. should be tied and zip fasteners fully closed before being placed in the Washer/Dryer.

Selecting the drying programme

If you do not rinse and spin before drying you will need to select the correct heat setting on the Drying Time Selector. Two settings are available, one for natural fabrics and one for synthetics. These are identified as follows:

Full heat drying - Cotton fabrics

Programme numbers $\frac{15}{16}$, $\frac{17}{18}$ and $\frac{19}{20}$

Gentle heat drying - Synthetic fabrics

Programme numbers $\frac{21}{22}$, $\frac{23}{24}$ and $\frac{25}{26}$ Fast wash.

DO NOT tumble dry woollens - Programme $\frac{40}{41}$

Selecting drying times

This will depend on the size of the load, the type of fabric and the wetness of the load. It is therefore not possible to give an exact drying time but experience will quickly enable you to set the appropriate time for fully drying or damp drying to your requirements. If you are not sure how long a load will take to dry, see page 11 under 'Tumble Drying'. As a general guide the Drying Chart gives recommended information for various materials.

Drying chart

Fabric	Type of load	Recommended max. load	Drying Time Selector setting
Cottons and linens	Variety of items varying in sizes ideally not all towels and sheets	2.3kg (51b)	High
Polyester/cotton and Terylene/cotton	All towels. For heavy bath towels - reduce the load	2.3kg (51b)	High
Synthetic fibres, Crimplene, Orlon, Acrilan, Courtele, etc.	Bed linen and/or shirts	2kg (4.41b)	Low
Synthetic fibres nylon, Celon, etc.	Variety of items, nightwear, jumpers, socks, cardigans	2kg (4.41b)	Low
	Variety of lightweight items, bed linen, nightwear, shirts	2kg (4.41b)	Low

Connecting the inlet hoses to the water supply

Using existing taps

1/2in Round - the most common tap in homes. Adaptors are available through builders' merchants. If you have any difficulty, contact your local dealer (see Fig. 3).

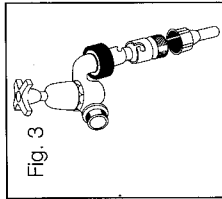


Fig. 3

3/4in and 1in Round - all

oval taps. This multi-tap adaptor is supplied with a selection of sealing washers for use on any of the above taps. This is available from builders' merchants. If you have any difficulty, contact your local dealer. (see Fig. 4).

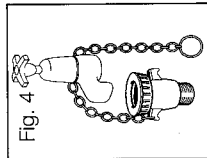


Fig. 4

Fitting a self-cutting valve

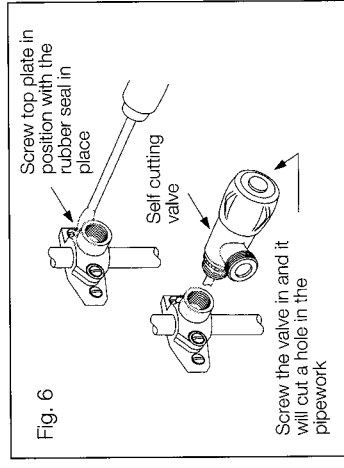


Fig. 6

Screw top plate in position with the rubber seal in place
Self-cutting valve
Screw the valve in and it will cut a hole in the pipework

Valve reference numbers

1. Opella DIY 3
2. Oracstar PK5
3. Oracstar PK14
4. Tapimatic T.S 15

Method 2

If the water pipes are out of reach, you will need to fit an equal tee and branch pipe to both hot and cold pipes.

Using the tumble dryer

Your machine may be used either to automatically tumble dry after a wash cycle or to tumble dry only.

The cold water supply to your machine must be turned on before you use the tumble dryer.

As a general guide the Drying Chart gives recommended information for various materials.

Before tumbling

Please read the cautionary notes

It is very important to follow carefully each garment manufacturer's washing and drying instruction, as given on the Care Label attached to the garment.

Fabric conditioner added to the final rinse will give even more softness to all fabrics and is invaluable for reducing the static electricity which causes easy-care fabrics to cling and attract dirt.

Making up loads

Clothes should be sorted into loads of similar fabrics before drying. Cotton which needs ironing can be dried to a suitable dampness. Towels and other cotton items which do not need ironing can be fully dried and these will be ready to wear or store as soon as they are taken from the dryer.

Drying chart

Fabric	Type of load	Recommended max. load	Drying Time Selector setting
Cottons and linens	Variety of items varying in sizes ideally not all towels and sheets	2.3kg (51b)	High
Polyester/cotton and Terylene/cotton	All towels. For heavy bath towels - reduce the load	2.3kg (51b)	High
Synthetic fibres, Crimplene, Orlon, Acrilan, Courtele, etc.	Bed linen and/or shirts	2kg (4.41b)	Low
Synthetic fibres nylon, Celon, etc.	Variety of items, nightwear, jumpers, socks, cardigans	2kg (4.41b)	Low
	Variety of lightweight items, bed linen, nightwear, shirts	2kg (4.41b)	Low

To carry out a simple wash

eg. coloured cotton $\frac{60}{60}$ or $\frac{2}{60}$

1. If the machine is not plumbed in remember you must first hook the drain hose into the standpipe. Connect the red inlet hose to your hot water supply and the blue inlet hose to the cold supply and turn the taps on.
Ensure the Washer/Dryer is located where air can freely circulate.
2. Ensure that your 13 amp plug from the machine is plugged in and the power is switched on at the main socket.
3. Sort the clothes into batches and select items marked $\frac{60}{60}$ or $\frac{2}{60}$. Always ensure that pockets are emptied, it is advisable to loosely tie apron and pyjama strings and do up zips. Badly soiled or stained clothes should be specially treated **before** the washing section of the cycle.
4. On this programme the drum of your machine will take up to an optimum load of 4.5kg (10lb) dry weight cottons if you intend just to wash. When washing cotton towelling or nappies the optimum load is 2.3kg (5lb). If you intend to wash and dry automatically **do not exceed** 2.3kg (5lb) dry weight. Pull the door catch lever to open the door, and load the machine. Clothes should be placed into the drum separately. Then close the door.
5. If your water is of average hardness and you are washing a full load of clothes, add two cupfuls of detergent to the main wash compartment in the detergent dispenser. To do this pull the dispenser drawer out as far as possible and add the detergent. Then add fabric conditioner, in line with the instructions given on the bottle, to the fabric conditioner compartment of the dispenser. Ensure that the dispenser drawer is fully closed otherwise leaks will occur. Only detergents suitable for front loading automatic machines should be used.
6. Ensure all option buttons are off (**ie. Out**).
7. Set the Programme Selector to position $\frac{60}{60}$ or $\frac{2}{60}$ by turning clockwise only. Similarly set the position of the Drying Time Selector to the required drying time by turning clockwise between the ● and 120 minute positions only. Should a drying period not be required, ensure that the Drying Time Selector is set to the ● position.
8. Press in the On/Off button to start the programme. The machine will now commence the wash cycle. After completion of the wash cycle, if no drying time has been set the Power indicator light will go out after approximately one minute. Open the door and remove the clothes. If a drying time has been selected then drying will automatically commence. After completion of the drying cycle, which will end with a period of tumbling in cool air, the Power indicator light will go out after approximately one minute.
9. Release the On/Off button and pull the door catch lever to open the door. After removing the clothes, switch off the electricity at the wall switch and turn off the water taps.
10. After completing your initial wash, you can now proceed to successfully follow any of the other main wash or dry programmes with complete confidence and knowledge of your machine.

See page 11 under 'Tumble Drying' for a guide to what drying time is required.

Water supply

Your machine is designed for use with hot and cold water simultaneously.

Your water supply pressure must be as follows:

For washing machine:

Minimum: 2N/cm² (3psi)

Maximum: 103N/cm² (150psi)

For washer dryer:

Minimum: Hot 2N/cm² (3psi)

Cold 4N/cm² (6psi)

Maximum: Cold } 103N/cm² (150psi)

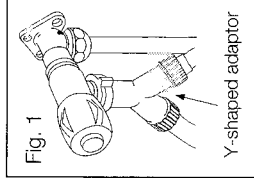
Hot water supply

Ideally the hot water supply should be about 60°C. Most household water supply systems are suitable for use with your washing machine including multiple outlet instantaneous electric and gas heaters, but the machine must not be worked off single outlet instantaneous electric or gas water heaters.

Cold water supply

Cold water from the mains is your likely choice of cold supply. Cold water from a cistern or tank may not give you a high enough pressure if you live in a flat or bungalow, or if you have your machine installed upstairs.

If only cold water supply is available it will be necessary to fit a special adaptor available from your dealer or Electricity Company Shop (see Fig. 1).



We recommend that you have your washing machine/ washer dryer plumbed in and that the installation is carried out by an experienced plumber.

Plumbing

The regulations of the local Water Supply Company must be adhered to.

The ideal arrangement is to have the hot and cold hoses permanently connected to pipes specially plumbed in for your washing machine. An accessible stop cock approved by the U.K. water fitting scheme must be fitted to each pipe and the hoses securely fitted to the ends of the pipes by 3/4in BSP connectors. When connected this way, you must turn **Off** the stop cock when your wash is completed, and **On** before you start your wash.

If this is not possible, the machine will work equally well off most kitchen taps provided a special tap/adaptor is fitted. The washing machine must not be connected to mixer taps.

Fitting the inlet hoses

Two high pressure water hoses are supplied. It is essential that only these high pressure hoses are used for connecting the machine to the water supply.

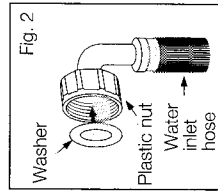
The inlet hoses are supplied with screwed couplings attached.

The angled couplings are for attaching the hoses to the machine inlet valves. The nuts must be tightened securely. Do not overtighten. Ensure that the 4 rubber seal washers supplied are fitted securely in both ends of the two inlet hoses (see Fig. 2). The red or grey hose is to be fitted to the hot water inlet. The blue hose connector is fitted to the cold water inlet.

If you require longer inlet hoses, these can be obtained from a reputable plumbers' merchant or your local spares centre or dealer.

When fitting to a water system that has not been used for some time, to a new system or after plumbing alterations, the water system must be thoroughly flushed before connecting the machine. If this is not done, it may result in flooding.

Once the hoses have been fitted, turn the water supply on for a few minutes and check for leaks at the hose connections.



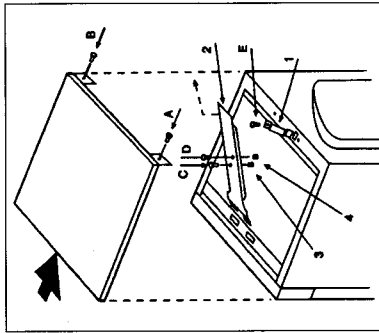
Unpacking instructions

IMPORTANT: Before working on this appliance to avoid the risk of electrocution, ensure the mains plug is removed from the supply.

To avoid damage it is **ESSENTIAL** that the transit brackets are removed before use. The machine is fitted with transit brackets inside the body to ensure safe transit. To remove the transit brackets read the label fixed to the back of the machine; examples of removal are shown below.

Removal of the transit brackets

1. Remove screws A and B. Slide the top cover backwards, lift and remove.
2. Remove screws C, D and E.
3. Slide bracket 1 out of slot.
4. Slide bracket 2 out of slot.
5. Turn and pull out spacers 3 and 4.
6. Refit table top - engage front fixing slots, slide forward and refit screws A and B.

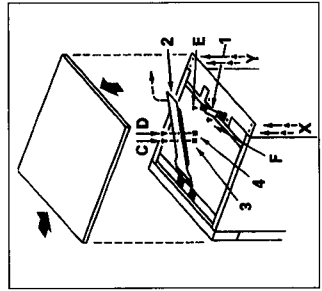


Keep the transit brackets, screws and spacers for use in the future.

Location of the appliance



The appliance should be located on a flat solid surface, ie. brick, concrete, tiles, this is to ensure its stability in use, a wooden suspended floor may not be suitable. The appliance must not be installed at an angle of more than 2° from the normal position of operation.

1. Remove table top rear fixing screws X and Y.
2. Lift table top at rear by 10mm.
3. Slide table top backwards and lift off.
4. Remove screws C, D, E, F.
5. Slide bracket 1 out of slot.
6. Slide bracket 2 out of slot.
7. Turn and pull out spacers 3 and 4.
8. Refit table top - engage front fixing slots, slide back and refit screws X and Y.

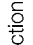

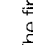


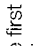
Variations on a simple wash/dry

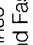

Prewash

Prewash should be selected for really dirty clothes, like football kit and nappies. The prewash programme heats the water to a maximum temperature of 40°C. When the prewash programme is complete, the programme selector will stop at the symbol . You should then switch the appliance off, turn the programme selector to the required main wash programme and switch on. **We do not recommend that prewash is used for wool (programme ).**

Using the machine to rinse and spin

The number of rinses selected can be varied between one and four, depending on the rinse mark position and programme selected. For hard-wearing materials the rinse section following programmes ,  and  should be selected.

The rinse position is marked . The first dot will give most rinses and last dot least rinses.

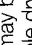
For delicate materials, selection of the rinse section after programmes ,  and Fast Wash will give optimum results.

The machine will automatically go into spin after the rinsing cycle is complete.

Using the machine to spin only

This is achieved by selecting either of the spin positions marked on the programme selector.

Short spin should be selected for delicate materials.

Long spin for other materials. Materials washed on programme  may be spun on long spin if you intend to tumble dry or you do not need to minimise creasing.

Each spin routine will end with a few short tumbles before finally finishing.

NOTE: Spinning heavy loads/bulky items. Your machine has a feature to prevent it spinning with a large imbalance in the wash load - this is to prevent excessive noise and vibration. Prior to each spin, your machine will try to distribute the wash load evenly around the wash drum. If a large imbalance is present after this distribute stage, the spin routine will be stopped. If a large imbalance is present

during a final spin section, a number of re-attempts will be made to re-distribute the wash load evenly around the wash drum.

We do not recommend that large bulky items are washed on their own, as it is not always possible to evenly distribute these around the wash drum.

In the unlikely event that you find that your garments have not been spun at the end of the wash programme, try re-selecting the appropriate spin only programme.

Drying Using the machine to dry only

The cold water supply to your machine must be turned on before you use the tumble dryer. (And off again after use.)

Where you have not been able to dry a full load of washing, or where you wish to dry certain articles washed by hand, you will need to select a drying cycle independently.

If you are not sure how long a load will take to dry, (see page 11 'Tumble Drying' and page 7) set the Drying Time Selector to the appropriate high or low heat 120 minute position. Set the Programme Selector to the appropriate drying heat programme (see page 11 'Tumble Drying' and page 7) and press in the On/Off button. The machine will start to tumble dry. Part way through the cycle, release the On/Off button.

The machine will stop tumbling. Move the Drying Time Selector to the appropriate cool tumble period of either high or low heat

programmes. Press in the On/Off button and allow the machine to run for a few minutes. This will cool the load in the dryer. Finally release the On/Off button, wait for the Power indicator light to go out and open the door. Check whether the load or part of it is dry.

If you select short drying time, the load may not be dry and it may be necessary to re-set the selector. This method will prolong drying times due to the repeated inclusion of the cooling down period and the subsequent re-heating of the load when the dryer is re-set. You will quickly find how long different loads take to dry.

Finally, when the Power indicator light goes out open the door and check whether the load or part of it is dry.

Also refer to page 7 'Using the Tumble Dryer'.

Detergents

Washing powder

Use a low lather powder for front loading automatic machines. This type of powder is specially made to suit front loading automatic washer/dryers and can be used in hard or soft water. Ordinary powders produce so much lather that clothes will not tumble freely or be properly washed and you may even get lather overflow.

Use enough powder. To get your clothes clean it is essential that enough powder is used in the machine.

The correct amount will depend on a number of things - the hardness of the water, the size of load and the amount of soiling present. As a guide we suggest you follow the table below and adjust the amounts in the light of your personal experience. You may find it helps to use a cup for measuring the right amount at first. (Do not use a water softener additive in the machine itself.)

How much to use in your machine

Detergent	Cottons	Synthetics	Woolens
Prewash	75/50g	75/50g	—
Full Load	200/150g	125/90g	125/90g
Reduced Load	125/90g	90/70g	90/70g

These doses are for normally soiled loads
1 cup = 265ml (approximate) 160g

Liquid detergents

Liquid detergents may be used in this appliance. The dosage required is recommended on the relevant manufacturer's products. Do not use liquid detergents if a prewash programme is required.

Conditioners

A fabric conditioner is strongly recommended. When added it will give a fresh softness to your washing and eliminate the problem of static clinging from synthetics.

Fabric conditioner and washing powder can be put in the dispenser at the same time. Add fabric conditioner, in line with the instructions given on the bottle, to the fabric conditioner compartment of the dispenser at the beginning of every wash and your machine will automatically add it to the final rinse.

The use of fabric conditioner in your Washer/Dryer will also be beneficial in the drying process. Not only will the problem of static be eliminated but your clothes will be softer.

Regular checks

It is essential that you use and look after your washing machine in accordance with the instructions in this book.

As with any major appliance, there are certain aspects which require regular attention. Without such attention, it is possible that there may be a premature requirement for servicing. Listed below are a number of such key areas which in your own interest you should check regularly.

Before calling out a service engineer, ensure that the checks below and on page 16 have been carried out. Should the service engineer find nothing wrong with the machine, we regret that we will have to charge for the service call.

Emergency door opening

If the machine is full of water with your clothes inside, you can open the door by following these instructions. You will need a bucket. First you have to empty some of the water, so that the safety latch will release the door.

1. Turn off the hot and cold taps, switch off the electricity and unplug the machine. Do not use machine again until the Service Engineer has called.

2. Pull out the machine so that you can get at the back of it.

3. Place the end of the hose in a bucket to drain the water. Draw off about two bucketfuls.

WARNING: BE CAREFUL, THE WATER MAY BE VERY HOT.

4. When sufficient water has been removed you will be able to open the door.

Key regular check items

1. Water leaks

- 1.1 **From back of machine**
- Are the inlet hoses securely tightened?
 - Is the outlet hose correctly and securely positioned?
- 1.2 **From front of machine**
- Check that there is no dirt or lint trapped between the lip of the rubber door seal and the door glass.
 - Check that the detergent dispenser is not prevented from closing tightly due to a build-up of detergent. Remove and clean (see page 17).

2. Insufficient inlet flow rates

- Check that the hot and cold water pressures are satisfactory.

3. Machine vibrating

- Check that the transit bracket has been removed (see Installation Instructions).
- Check that the machine is level.

4. Option buttons

- Check after use that all the option buttons are in the **Off** position, i.e. out..

Using a Dosing Ball

To obtain claimed energy wash performance for a 60°C cotton wash, detergent should be dispensed in a dosing ball.

Put detergent into the dosing ball. Place in an upright position in the centre of the wash load at the back of the drum.

To receive a **FREE** dosing ball phone:-

U.K.

0800 243 131

Republic of Ireland

1800 386 386

Stain removal

1. Always treat as soon as possible. Rinse in cold water or warm solution before washing.
2. Never rub a stain, 'pinch out' as much as you can, using a clean cloth or paper tissue.
3. Some stains need special treatment (see below).
4. Absorbent pad method. With solvents work from outside towards centre of stain, holding an absorbent pad underneath the cloth behind the stain.
5. Do not use amyl acetate on acetate or triacetate.

6. Test for colour fastness before removing stain.

Note:
Take great care with poisonous chemicals and flammable liquids.
Only use solvents in a well ventilated place. Keep chemicals, flammable liquids and solvents out of reach of children and pets.

WARNING

Whilst this guide is reproduced to assist you, it is important that all items marked with the symbols are used only as per manufacturer's recommendation. Never mix any chemical products.

Stubborn stain guide

Carbon paper	Methylated spirits		Absorbent pad method	Or rub with ice and pick off by hand
Chewing gum	Methylated spirits		Absorbent pad method	Waterproof glue should be treated with amyl acetate using absorbent pad method
Glue	Cold water or amyl acetate		Wash in cold solution for soluble glues	
Grass	Methylated spirits		Sponge with methylated spirits	
Grease/Oil	Proprietary solvent		Absorbent pad method	
Ink (biro, felt tip)	Methylated spirits		Absorbent pad method	
Lipstick and face creams	Proprietary solvent		Absorbent pad method	
Mildew - white cottons and linens	Chlorine bleach		Soak white cottons and linens in 1 part bleach in 100 parts water	Coloureds cannot be treated except for regular washing
Mildew - all other white fabrics	Hydrogen peroxide		Soak other white fabrics in 1 part hydrogen peroxide 20 vol. to 4 parts water	Rinse well. There is no safe home treatment for coloureds but regular washing will reduce marks
Nail varnish	Amyl acetate		Absorbent pad method	Dried stains are permanent
Paint - emulsion	Water		Sponge immediately with cold water	
Paint - oil	Turpentine, or amyl acetate		Absorbent pad method	
Perspiration	Hydrogen peroxide		Rinse immediately in cold water and wash. If stain remains soak in 1 part hydrogen peroxide 20 vol. to 4 parts water and wash	Colour removed by perspiration cannot be restored
Rust/iron mould - for all fabrics	Lemon juice		Soak stains in lemon juice and iron under damp cloth. Repeat if necessary	
Rust/iron mould - for white cottons and linens)	Oxalic acid (very poisonous)		Use 1/2 teaspoon of oxalic acid in 1/2 pint of hot water	
Shoe polish	Glycerine and proprietary solvent		Lubricate with glycerine and use solvent with absorbent pad method	
Tar	Proprietary solvent		Scrape off surplus, soften with butter and wipe off, apply solvent and wash immediately	

© REPRODUCED BY KIND PERMISSION OF LEVER BROS. LIMITED

Water hardness

The tabulation below shows the water hardness throughout the country. In some areas water hardness is variable. There is an accepted standard of measure for classifying the relative hardness of any water:

	Key
Soft	S
Moderately soft	MS
Slightly hard	SH
Moderately hard	MD
Hard	H
Very hard	VH

Area	Company	Water hardness	Area	Company	Water hardness
Argyll	Scotland	S	Loch Turret	Scotland	S
Ashbourne	Severn-Trent	MS-H	London Metropolitan	Thames	MH-VH
Avon and Dorset	Wessex	H	Lune Valley	North West	S-SH
Ayrshire	Scotland	S	Macclesfield	North West	MS-H
Birmingham	Severn-Trent	S-VH	Makerfield	North West	S-MH
Bolton	North West	S	Manchester	North West	S
Bournemouth	Wessex	H	Mersey Valley	North West	S-VH
Bristol	Wessex	H-VH	Montgomery	Severn Trent	S-MH
Cambridge	Anglian	SH-H	Newcastle and Gateshead	Northumbrian	MH
Carlisle	North West	MS	Nottingham	Severn Trent	MS-MH
Cheshire Mid	North West	MS-H	Northumberland	Northumbrian	SH
Cheshire	North West	SH-H	Northumbrian and Tyne	Northumbrian	SH
Chiltern	Thames	VH	Nuneaton	Severn Trent	SH-VH
Clyde Lower	Scotland	S	North West	North West	S-MS
Colne Valley	North West	H-VH	Pennine West	North West	S-SH
Corby and District	North West	H	Plymouth	South West	S
Cumbria South	North West	S-MH	Preston and District	North West	S
Cumbria West	North West	S	Rickmansworth and Uxbridge Valley	Thames	H-VH
Derbyshire North	Severn Trent	S-H	Sally Isles	Thames	MH
Derbyshire South	Severn Trent	MH	Scotland Mid	Scotland	S-MH
Derwent Valley	Severn Trent	S	Scotland North	Scotland	S-VH
East Anglia	Anglian	H-VH	Scotland North East	Scotland	S
Eastbourne	Southern	SH-VH	Scotland South East	Scotland	S-H
Eden	North West	S-MH	Scotland South West	Scotland	S-MH
Essex	Anglian	S-VH	Shrewood	Severn Trent	MH-VH
Exeter	South West	S-H	Shropshire	Severn Trent	H
Fife and Kinross	Scotland	S-VH	Somerset	Wessex	S-VH
Folkestone and District	Southern	S-VH	Stafford	Severn Trent	H-VH
Fyfe	North West	S-SH	Staffordshire South	Severn Trent	H-VH
Gloucester	Severn Trent	MH-VH	St. Helens	North West	SH
Guernsey	and Thames	SH	Stockport	North West	S
Hampshire Central	Southern	H	Sunderland and South Shields	Northumbrian	MS-VH
Hampshire North	Southern	H	Thames	Thames	MS
Hampshire West	Southern	H	Thames	Thames	H-VH
Hartlepool	Southern	H	Thames	Thames	H
Inverness-shire	Northumbrian	H-VH	Sussex	Southern	MS
Ireland Eastern	Scotland	S-MH	Sussex East	Southern	MS
Ireland Northern	Scotland	S-H	Sussex Mid	Southern	S-H
Ireland Southern	Scotland	MS	Sussex North West	Southern	MS-VH
Ireland Western	Scotland	S-VH	Sutton District	Thames	SH
Isle of Wight	Scotland	MS	Tees	Northumbrian	S-MS
Jersey	Scotland	SH-H	Tending Hundred	Anglian	H
Kent	Southern	MH	Truro	Northumbrian	S-SH
Kent East	Southern	H	Warwickshire	Severn Trent	MS-VH
Kent Mid	Southern	H	Wear	Severn Trent	MH-VH
Kent West	Southern	SH-VH	Wiltshire	Northumbrian	S
Lakes and Lune	Thames	MS-H	Wolverhampton	Thames	H
Lambourne	North West	SH-VH	Worcestershire North	Severn Trent	SH-VH
Lancashire	North West	S-VH	Worcestershire South	Severn Trent	S-VH
Lea Valley	North West	S-VH	Wrexham and East	Severn Trent	MS-H
Leicester	Thames	VH	York	Welsh	SH
Liverpool	Severn Trent	MH-VH	Yorkshire North	Yorkshire	S-VH
Loch Lomond	North West	S-SH			
	Scotland	S			

© Reproduced by kind permission of Lever Bros. Limited

International Textile Care Label Codes

The control settings on your machine correspond with the International Textile Care Label numbers, which give the correct wash programme for the various fabrics. Selection of the wash programme is therefore simple and straightforward.

Look for the wash code numbers on the garment and select the same number on the Programme Selector. Where there are no numbers on garments, the following guide will help you select the right programme.

Care Label/ Programme	Fabric and Soiling		Maximum Load	Select Programme Position	Select Deep Wash	Select Crease Care	Select Energy Save	Tumble Drying	
	NEW	OLD						Maximum load	Recommended time (min.)
		Cotton and linen. White or colour-fast to boiling. Heavy soil	4.5kg (10lb)		Optional +	No	No	2.3kg (5lb)	40-55★
		Cotton and linen. White or colour-fast to boiling. Normal soil	4.5kg (10lb)		Optional +	No	Optional	2.3kg (5lb)	40-55★
		Cotton and linen. Colour-fast at 60°C Normal soil	4.5kg (10lb)		Optional +	No	Optional	2.3kg (5lb)	40-55★
		Nylon and polyester/cotton – coloured Normal soil	2kg (4.4lb)		Optional +	Optional	Optional	2kg (4.4lb)	80-90
		Cotton and linen. Colour-fast at 40°C but not at 60°C. Normal soil	5kg (11lb)		Optional +	No	Optional	2.3kg (5lb)	40-55★
		Delicate synthetics, acrylics, man-made fibre blankets. Normal soil	2kg (4.4lb)		Optional +	Optional	Optional	2kg (4.4lb)	80-90
		Woolens (labelled Machine Washable) and wool mixtures. Normal soil	2kg (4.4lb)		No	No	Optional	Woolen articles should not be dried in the dryer unless they are labelled with the 'May be tumble dried' symbol. If in any doubt do not tumble dry wool.	
		Any machine-washable fabric excluding delicates	0.9kg (2lbs)		Optional	Optional	No	} Dependent upon materials	
Rinsing and spinning**		Any machine-washable fabric requiring rinsing and spinning only	Dependent on materials	Fast Wash Any rinse position	Optional	Optional	No		
Spinning only**		Any machine-washable fabric requiring spinning only	Dependent on materials	⌀ or ☺	—	—	No		

★ The time given is for cotton sheeting. For other heavier cotton and linen materials such as towelling, jeans and nappies, longer drying times will be required.
 ** See section on page 9 for full description. † When the machine is totally full, clothes are heavily soiled, a large dosage of detergent is used, or for people with sensitive skins, it is recommended that the Deep Wash button is selected.