

Storehouse

Item #39420 Roller Cabinet Chest - 3 Drawer

Assembly and Operating Instructions



3491 Mission Oaks Blvd., Camarillo, CA 93011

Copyright© 1998 by Harbor Freight Tools. All rights reserved. No portion of this manual or any artwork contained herein may be reproduced in any shape or form without the express written consent of Harbor Freight Tools.

For technical questions and replacement parts, please call 1-800-444-3353.

Thank you for choosing a Harbor Freight Tools product. For future reference, please complete the owner's record below:

Model: _____ **Purchase Date:** _____

Save the receipt, warranty and these instructions. It is important that you read this entire instruction manual to become familiar with this product before you begin using it.

Technical Specifications

Drawer Dimensions: 16-3/4" x 21-3/4" x 2-3/4"
Cabinet Dimensions: 16-3/4" x 26-3/4" x 13-1/4"
Overall Dimensions: 17-7/8" x 30-1/2" x 30-3/8"
Includes lock and two keys; Includes 4 Castors (3")
Tool Chest made from 19 gauge sheet steel

Unpacking

Unpack and check the contents with the parts diagram and part number listing on page 3. If any parts are missing, please call Harbor Freight Tools at 1-800-444-3353.

Warning

1. When using electric tools, machines or equipment, basic safety precautions should always be followed to reduce the risk of fire, electric shock, and personal injury.
2. Keep work area clean. Cluttered areas invite injuries.
3. Consider work area conditions. Do not use machines or power tools in damp, wet, or poorly lit locations. Do not expose equipment to rain. Keep work area well lit. Do not use tools in the presence of flammable gases or liquids.
4. Keep children away. All children should be kept away from the work area.
5. Guard against electric shock. Prevent body contact with grounded surfaces such as pipes, radiators, ranges, and refrigerator enclosures.
6. Stay alert. Never operate equipment if you are tired.
7. Do not use the product if under the influence of alcohol or drugs. Read warning labels on prescriptions to determine if your judgment or reflexes might be impaired.
8. Do not wear loose clothing or jewelry as they can be caught in moving parts.
9. Wear restrictive hair covering to contain long hair.
10. Use eye and ear protection. Always wear:
 - ANSI approved chemical splash goggles when working with chemicals.
 - ANSI approved impact safety goggles at other times.
 - ANSI approved dust mask or respirator when working around metal, wood, and chemical dusts and mists.
 - A full face shield if you are producing metal or wood filings.
11. When servicing, use only identical replacement parts.

Assembling the Tool Chest

Read and understand all warnings, cautions and instructions in this manual before attempting to assemble and use the Tool Chest.

1. Always wear ANSI approved safety goggles when assembling this product, and when working with tools and equipment.

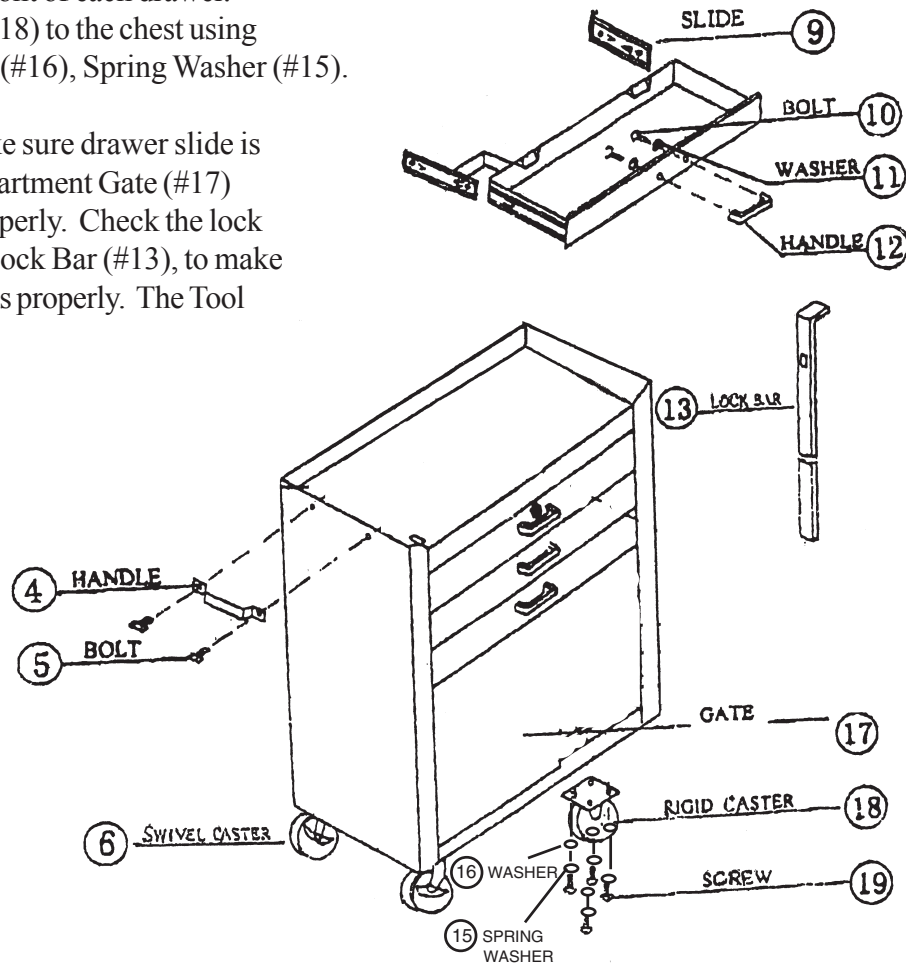
2. The only assembly required is attaching the Handles to the drawers and one Handle to the side of the Roller Cabinet Chest, and assembling the 4 Castors.

Use two Bolts (#5) to attach the Handle (#4) to the side of the chest (Note: Handle may be attached to either side of chest). Note: The Tool Cabinet includes only 1 Handle. Use the included plugs to cap the two holes on the side opposite where the Handle is attached.

Use Bolt (#10), and Washer (#11) to attach Handle (#12) to the front of each drawer.
 Attach each Castor (#18) to the chest using Screw (#19), Washer (#16), Spring Washer (#15).

3. Check each drawer to make sure drawer slide is smooth. Make sure the compartment Gate (#17) properly hangs and opens properly. Check the lock with enclosed keys, and the Lock Bar (#13), to make sure locking mechanism works properly. The Tool Chest is ready for use.

Parts Diagram



Part Number Listing

Part #	Description	Part #	Description
4	Handle	13	Lock Bar
5	Bolt	15	Spring Washer
6	Swivel Castor	16	Washer
9	Slide	17	Gate
10	Bolt	18	Rigid Caster
11	Washer	19	Screw
12	Handle		