

Factory Parts Catalog

Product No.	E30SO75FPSA
Market	North America
Color	stainless steel
Volts	240
Watts	1000
Wiring Diagram	5995480505
Owner's Guide	TINSEB425MRR0
Installation Instructions	TINSEB424MRR0



Electrolux Major Appliances
 North & Latin America
 P.O. BOX 212378
 AUGUSTA, GA 30917

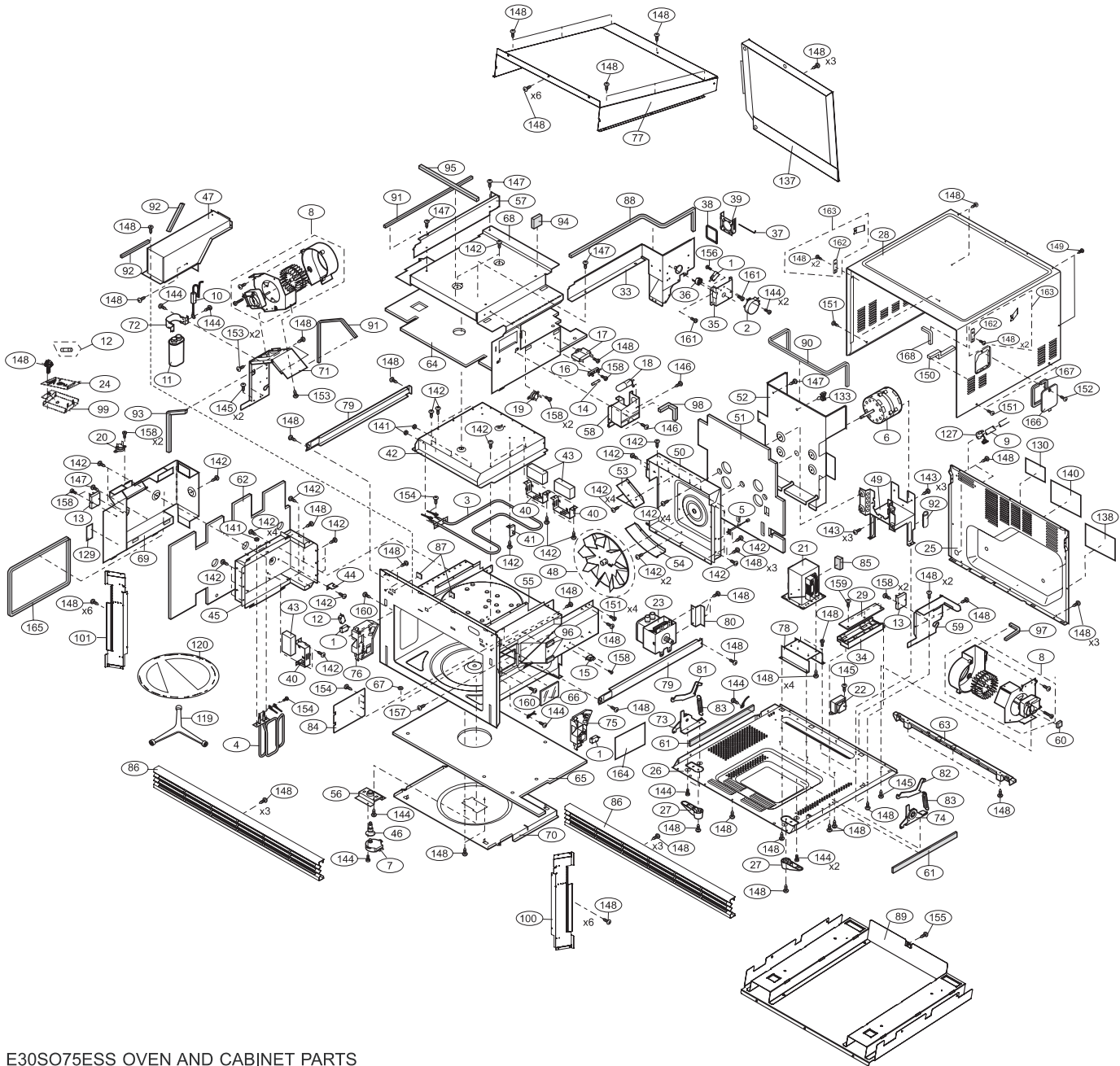
Publication No.
5995480505
 06/12/11
 (EN/SERVICE/WC)
 099

**OVER-RANGE
 MICROWAVE**

Model No.
E30SO75FP

Copyright © 2006 Electrolux Home Products, Inc.
 All rights reserved.

OVEN, CABINET

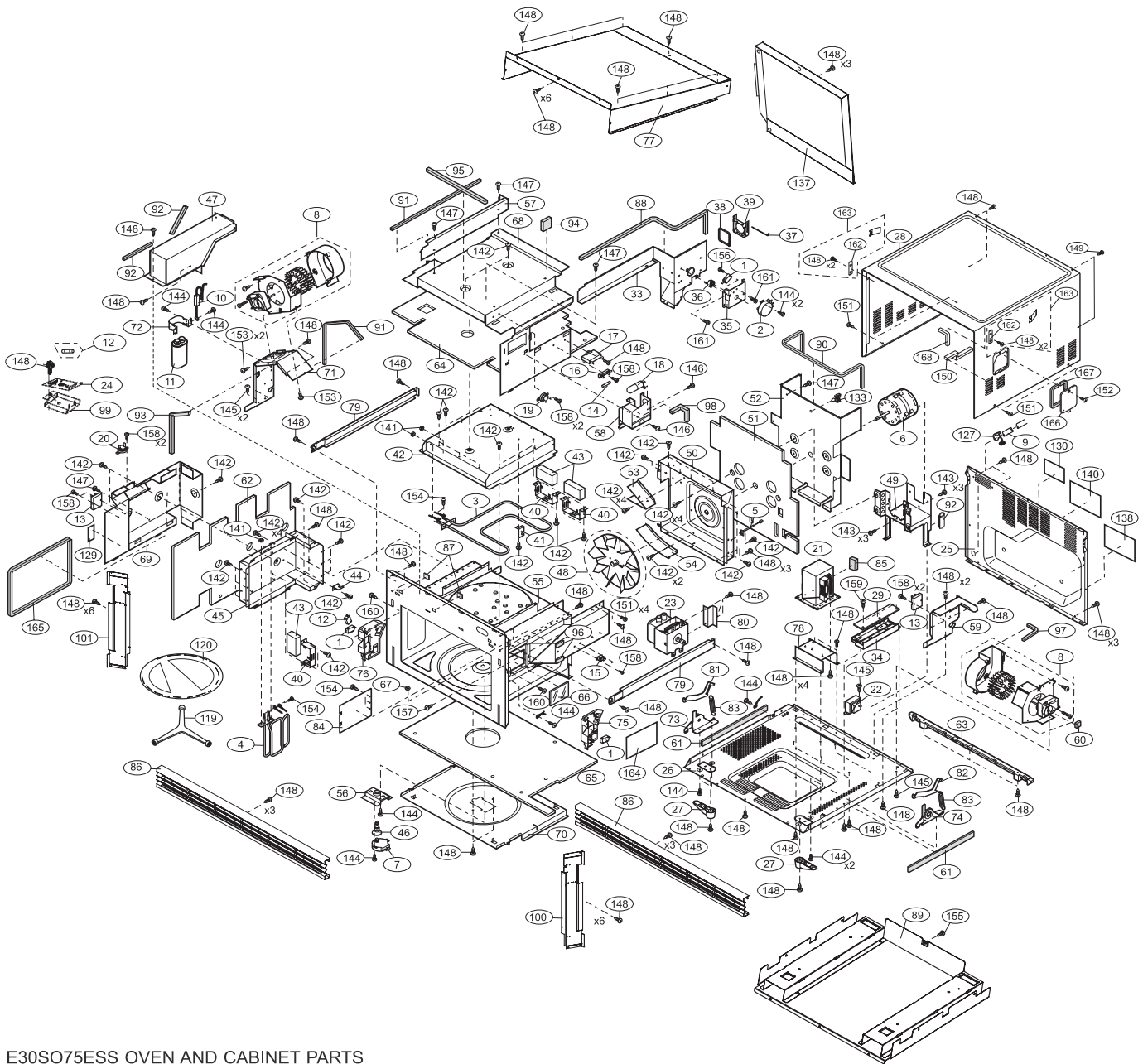


E30SO75ESS OVEN AND CABINET PARTS

OVEN,CABINET

POS. NO	PART NO.	DESCRIPTION
1 #	5304440026	Switch, interlock, door sensor
2 #	5304451387	Motor, damper
3 #	5304451388	Element, heating, top
4 #	5304451389	Element, heating, side
5 #	5304451390	Thermistor
6 #	5304459004	Motor, convection fan
7 #	5304451392	Motor, turntable
8 #	5304451393	Motor, exhaust fan
9 #	5304451394	Power Cord, electric
10 #	5304451395	Rectifier, high voltage
11 #	5304451396	Capacitor, high voltage
12 #	5304451397	Switch/Fuse Assy, monitor
13 #	5304451398	Relay, solid state
14 #	5304451399	Fuse, F10A
15 #	5304440780	Fuse, cavity temp, 20 Amp, 250 V
16 #	5304451400	Holder, fuse F10A
17 #	5304451401	Capacitor, fan motor
18	5304451402	Lamp, oven light
19 #	5304451403	Thermal Cutout, top heater
20 #	5304451404	Thermal Cutout, side heater
21 #	5304451405	Transformer, power
22 #	5304451406	Transformer, low voltage
23 #	5304458933	Magnetron
24 #	5304451407	Filter, noise
25	5304451408	Panel, cabinet back
26	5304451409	Base, cabinet bottom
27	5304451410	Foot, cabinet support
28	5304451411	Cabinet, outer casing
29 #	5304451412	Power Unit, PWB
33	5304451437	Duct, damper
34	5304451438	Angle, power board mt.
35	5304451439	Angle, motor mount
36	5304451440	Cam, damper
37	5304451441	Shaft, damper
38	5304451442	Cushion, damper
39	5304451443	Damper
40	5304451444	Angle, catalyst mount
41	5304451445	Angle, heater mount, A
42	5304451446	Duct, heater, upper
43	5304451447	Catalyst, air/odor filter
44	5304451448	Angle, heater mount, B
45	5304451449	Duct, heater, left
46	5304451450	Coupling, turntable motor
47	5304451451	Duct, exhaust
48 #	5304451452	Blade, convection fan
49	5304451453	Angle, fan motor mount
50	5304451454	Duct, convection fan
51	5304451455	Insulation, thermal, back panel
52	5304451456	Cover, thermal, back panel
53	5304451457	Plate, divider, A
54	5304451458	Plate, divider, B

OVEN, CABINET

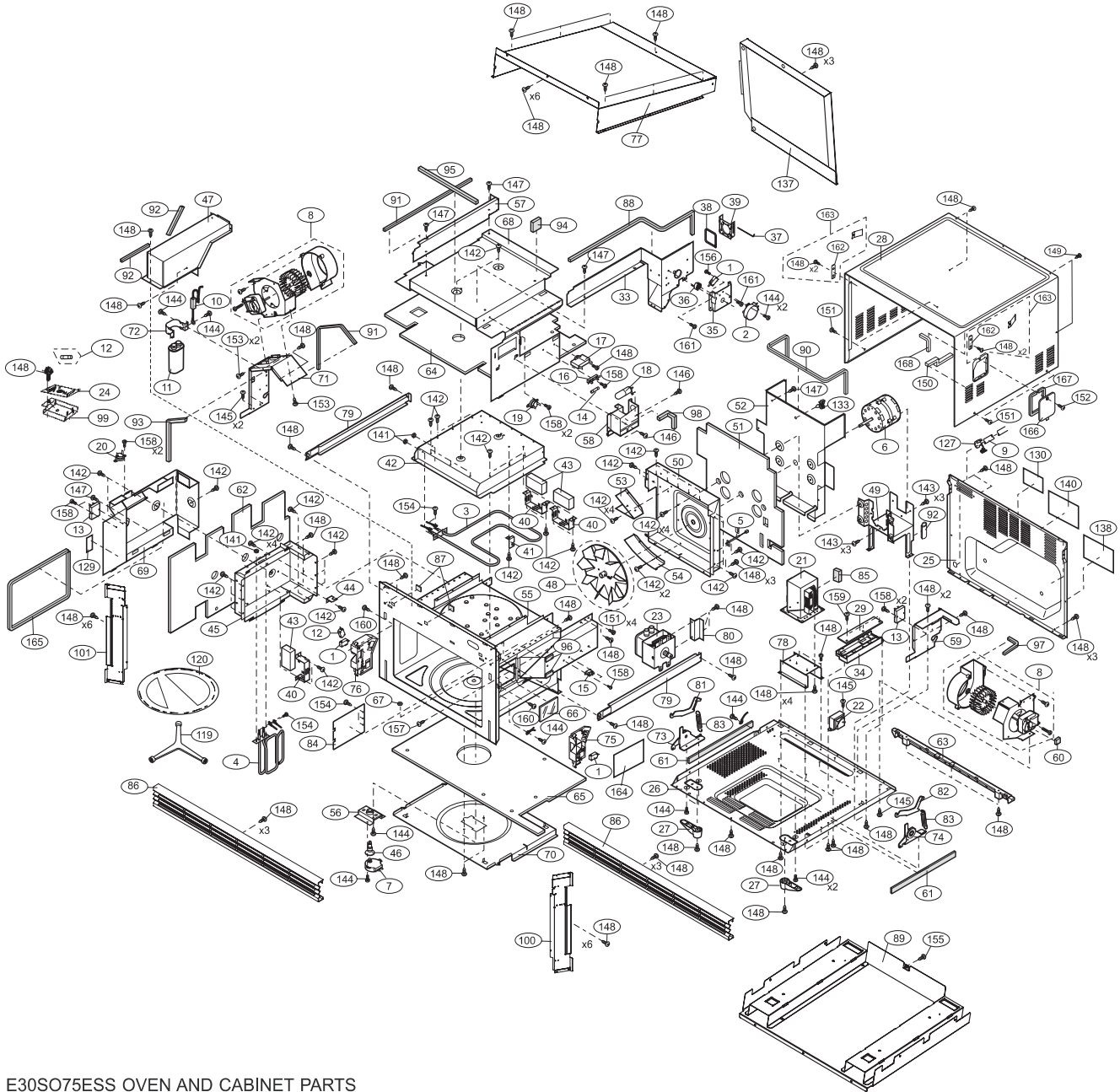


E30SO75ESS OVEN AND CABINET PARTS

OVEN,CABINET

POS. NO	PART NO.	DESCRIPTION
56	5304451459	Angle, turntable mount
57	5304451460	Separator, left
58	5304451461	Angle, lamp mount
59	5304451462	Separator, magnetron
60	5304451463	Cushion, blower motor, right
61	5304451464	Cushion, bottom plate
62	5304451465	Insulation, thermal, heater duct
63	5304451466	Separator, rear
64	5304451467	Insulation, thermal, upper
65	5304451468	Insulation, thermal, bottom
66	5304451469	Lens, lamp glass
67	5304451470	Packing, silicon
68	5304451471	Cover, thermal, upper
69	5304451472	Cover, thermal, left
70	5304451473	Cover, thermal, bottom
71	5304451474	Angle, fan motor mount
72	5304451475	Holder, capacitor clamp
73	5304451476	Hinge, oven door, left
74	5304451477	Hinge, oven door, right
75	5304451478	Latch Hook, right
76	5304451479	Latch Hook, left
77	5304451480	Duct, top
78	5304451481	Angle, transformer mt.
79	5304451482	Support, chassis, (2)
80	5304451483	Guide, magnetron
81	5304451484	Cam, door, left
82	5304451485	Cam, door, right
83	5304451486	Spring, door
84	5304451487	Cover, waveguide
85	5304451488	Cushion, pwr transformer
86	5304451489	Grille, exhaust vent, (2)
87	5304451490	Cushion, front panel, rear
88	5304451491	Cushion, damper duct
89	5304458934	Duct, bottom
90	5304451493	Cushion, back cover
91	5304451494	Cushion, angle/separator
92	5304451495	Cover, edge, (3)
93	5304451496	Cushion, motor mt. angle
94	5304451497	Cushion, upper cover, pad
95	5304451498	Cushion, upper cover, strip
96	5304451499	Cushion, cavity, right side
97	5304451500	Cushion, blower housing
98	5304451501	Cushion, lamp mt. angle
99	5304451502	Angle, noise unit mt.
100	5304451503	Trim, right side
101	5304451504	Trim, left side
119	5304451522	Support, turntable
120	5304451523	Tray, turntable
127	5304451527	Bushing, power cord
129	5304440334	Label, Caution-monitor
130	5304440333	Label, Caution-DHHS
133	5304451531	Clamp, power cord, back cover

OVEN, CABINET



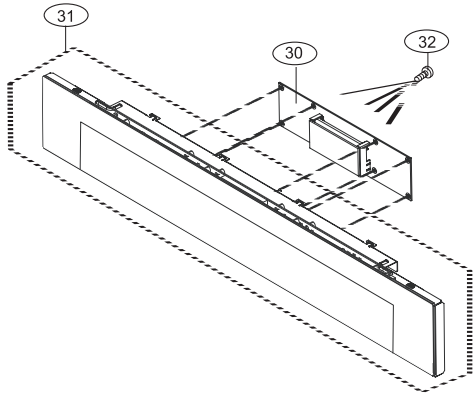
E30SO75ESS OVEN AND CABINET PARTS

OVEN,CABINET

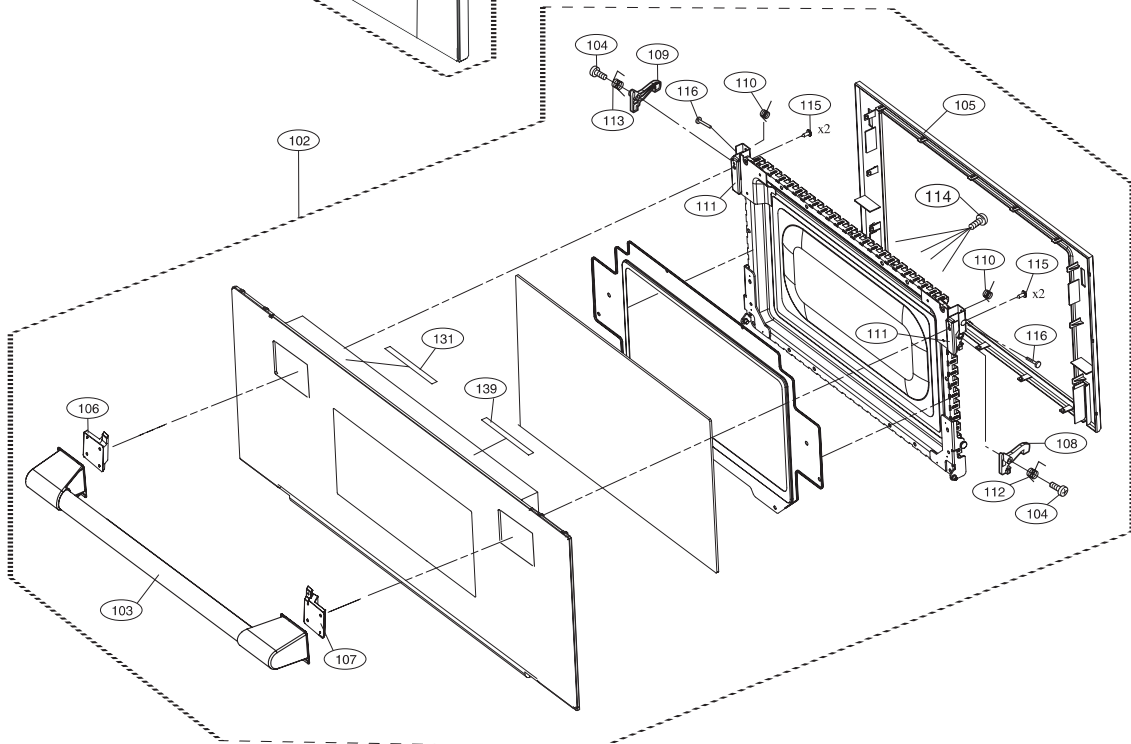
POS. NO	PART NO.	DESCRIPTION
137	5304458940	Duct, back
138	5304451533	Label, NHW caution
140	5304451535	Label, height caution
141	5304451547	Nut, element, 4 mm x 3.2 mm, (4)
142	5304451548	Screw, 4 mm x 8 mm
143	5304451549	Screw, 4 mm x 6 mm
144	5304451550	Screw, 4 mm x 8 mm
145	5304450253	Screw, 4 mm x 8 mm
146	5304451551	Screw, 4 mm x 8 mm
147	5304451552	Screw, 4 mm x 8 mm
148	5304451553	Screw, 4 mm x 12 mm
149	5304440873	Screw, torx head, tamper proof
150	5304451569	Cushion, side louver
151	5304451554	Screw, special
152	5304451570	Screw
153	5304451555	Screw, 4 mm x 8 mm
154	5304451556	Screw, special
155	5304451557	Screw, 4 mm x 12 mm
156	5304451558	Screw, special
157	5304451517	Screw, 4 mm x 8 mm
158	5304451560	Screw, 3 mm x 10 mm
159	5303319641	Screw
160	5304451561	Screw, 4 mm x 8 mm
161	5303319634	Screw, 4mm x 8mm
162	5304451562	Clip, retainer, anti-tip assy
163	5304451563	Bracket, anti-tip, assembly
164	5304451564	Wiring Diagram, schematic, label
165	5304451565	Cushion, thermal cover, left
166	5304451566	Cover, lamp
167	5304451567	Cushion, lamp cover
168	5304451568	Cushion

CONTROL PANEL,DOOR,MISC.

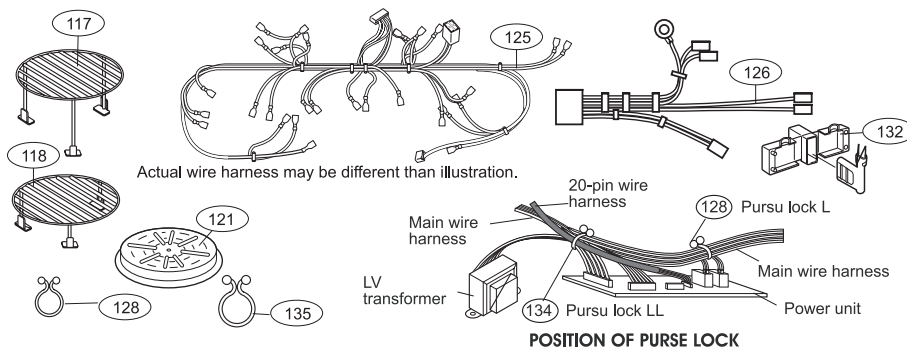
CONTROL PANEL PARTS



DOOR PARTS



MISCELLANEOUS



E30S075FPS cdm

CONTROL PANEL,DOOR,MISC.

POS. NO	PART NO.	DESCRIPTION
30 #	5304451413	Control Board, CPU
31 #	5304456394	Touch Control
32	5304451415	Screw
102	5304458935	Door, assembly
103	5304458936	Handle, door
104	5304451507	Screw
105	5304451508	Frame, inner door, choke cover
106	5304458937	Adapter, door handle, left side
107	5304458938	Adapter, door handle, right side
108	5304451511	Latch Head, right side
109	5304451512	Latch Head, left side
110	5304451513	Spring, handle
111	5304451514	Lever, handle
112	5304451515	Spring, latch, right side
113	5304451516	Spring, latch, left side
114	5304451517	Screw, 4 mm x 8 mm
115	5304458939	Screw, 4 mm x 20 mm
116	5304451519	Pin, handle
117	5304451520	Rack, high
118	5304451521	Rack, low
121	5304451524	Plate, splash guard
125#	5304451525	Wiring Harness, main
126#	5304451526	Wiring Harness, thermistor
128	5304451528	Clip, wire harness, plastic, L
131	5304440346	Label, User Caution
132	5304451530	Insulator, terminal
134	5304451529	Clip, wire harness, plastic, LL
139	5304451534	Label, User Caution, French

WIRING SCHEMATIC

