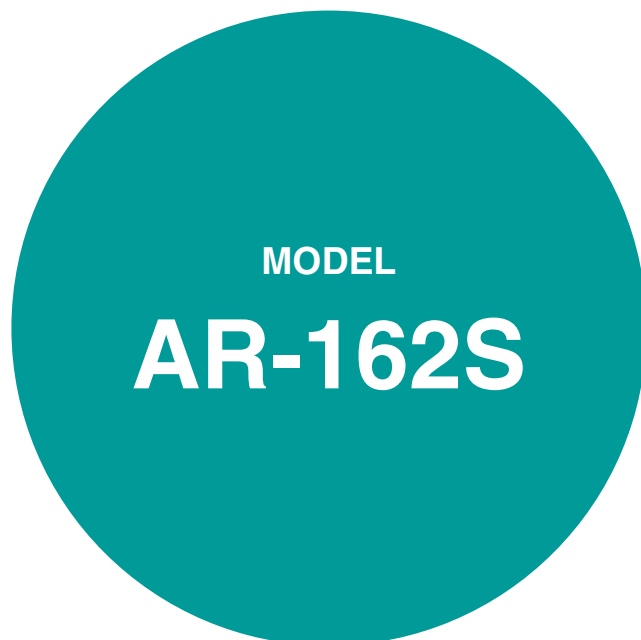


SHARP®



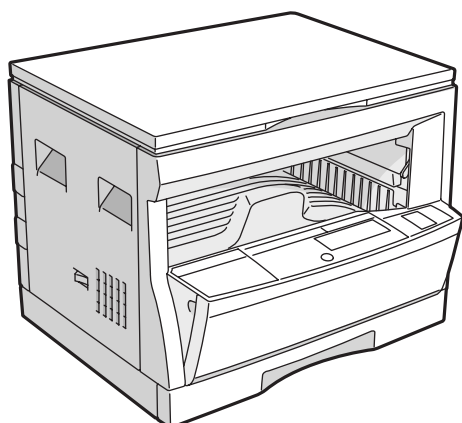
MODEL

AR-162S

DIGITAL LASER COPIER

OPERATION MANUAL

	Page
• GETTING STARTED	2
• MAKING COPIES	13
• STATUS INDICATORS	28
• GENERAL INFORMATION ...	35
• OPTIONAL EQUIPMENT	53



FOR YOUR RECORDS ...

To protect against loss or theft, record and retain for reference the copier's serial number located on the back of the unit.

Model Number AR-162S

Serial Number _____

Date of Purchase _____

Place of Purchase _____

Authorized Sharp Copier

Service Department Number _____

CAUTIONS

Follow the cautions below when using this copier.



Warning

- The fusing area is hot. Exercise care in this area when removing misfed paper.
- Do not look directly at the light source. Doing so may damage your eyes.



Caution

- The socket-outlet shall be installed near the equipment and shall be easily accessible.
- Place the copier on a firm, level surface.
- Do not install the copier in a humid or dusty location.
- When the copier is not used for a long time, for example, during prolonged holidays, turn the power switch off and remove the power cord from the outlet.
- When moving the copier, be sure to turn the power switch off and remove the power cord from the outlet.
- Do not cover the copier with a dust cover, cloth or plastic film while the power is on. Doing so may prevent heat dissipation, damaging the copier.
- Use of controls or adjustments or performance of procedures other than those specified herein may result in hazardous laser radiation exposure.

SAFETY PRECAUTIONS


This Digital Copier is rated Class 1 and complies with 21 CFR 1040.10 and 1040.11 of the CDRH standards. This means that the copier does not produce hazardous laser radiation. For your safety, observe the precautions below.

- Do not remove the cabinet, operation panel or any other covers.
- The copier's exterior covers contain several safety interlock switches. Do not bypass any safety interlock by inserting wedges or other items into switch slots.

CONTENTS

Page

GETTING STARTED

● INTRODUCTION	2
● MAIN FEATURES	3
● PART NAMES AND FUNCTIONS	4
– Overall layout	4
– Operation panel	6
● COPIER INSTALLATION	8
● CAUTIONS ON HANDLING	9
●  LOADING COPY PAPER	10





GETTING STARTED

MAKING COPIES

● AUDITING ACCOUNTS	13
● NORMAL COPYING	14
● REDUCTION/ENLARGEMENT/ZOOM	16
● BYPASS FEED (special paper)	18
● TWO-SIDED COPYING	20
● XY ZOOM	21
● B/W REVERSE	23
● DUAL PAGE COPY	24
● INTERRUPTING A COPY RUN	25
● AUTOMATIC EXPOSURE ADJUSTMENT	26
● TONER SAVE MODE	27

MAKING COPIES

STATUS INDICATORS

●  TONER CARTRIDGE REPLACEMENT	28
●  MISFEED REMOVAL	30
●  DEVELOPER REQUIRED	34
●  MAINTENANCE REQUIRED	34

STATUS INDICATORS

GENERAL INFORMATION

● USER PROGRAMS	35
– Settings for auditing accounts	38
● POWER SAVE MODES	42
● USER MAINTENANCE	44
● COPIER TROUBLE?	46
● SUPPLIES	49
– Types and sizes of copy paper	49
– Genuine supplies statement	50
● SPECIFICATIONS	51

GENERAL INFORMATION

OPTIONAL EQUIPMENT

● SINGLE PASS FEEDER (AR-SP2)	54
-------------------------------	----

OPTIONAL EQUIPMENT

INDEX	57
-------	----

INTRODUCTION

This copier has been designed to provide convenient copying features in a minimum amount of office space and with maximum operational ease. To get full use of all copier features, be sure to familiarize yourself with this manual and the copier. For quick reference during copier use, keep this manual in a handy location.

Conventions used in this manual

In this manual, the following icons are used to provide the user with information pertinent to the use of the copier.



Warning

Warns the user that injury to the user or damage to the copier may result if the contents of the warning are not properly followed.



Caution

Cautions the user that damage to the copier or one of its components may result if the contents of the caution are not properly followed.



Note

Notes provide information relevant to the copier regarding specifications, functions, performance, operation and such, that may be useful to the user.



Indicates a letter displayed in the copy quantity display.

MAIN FEATURES

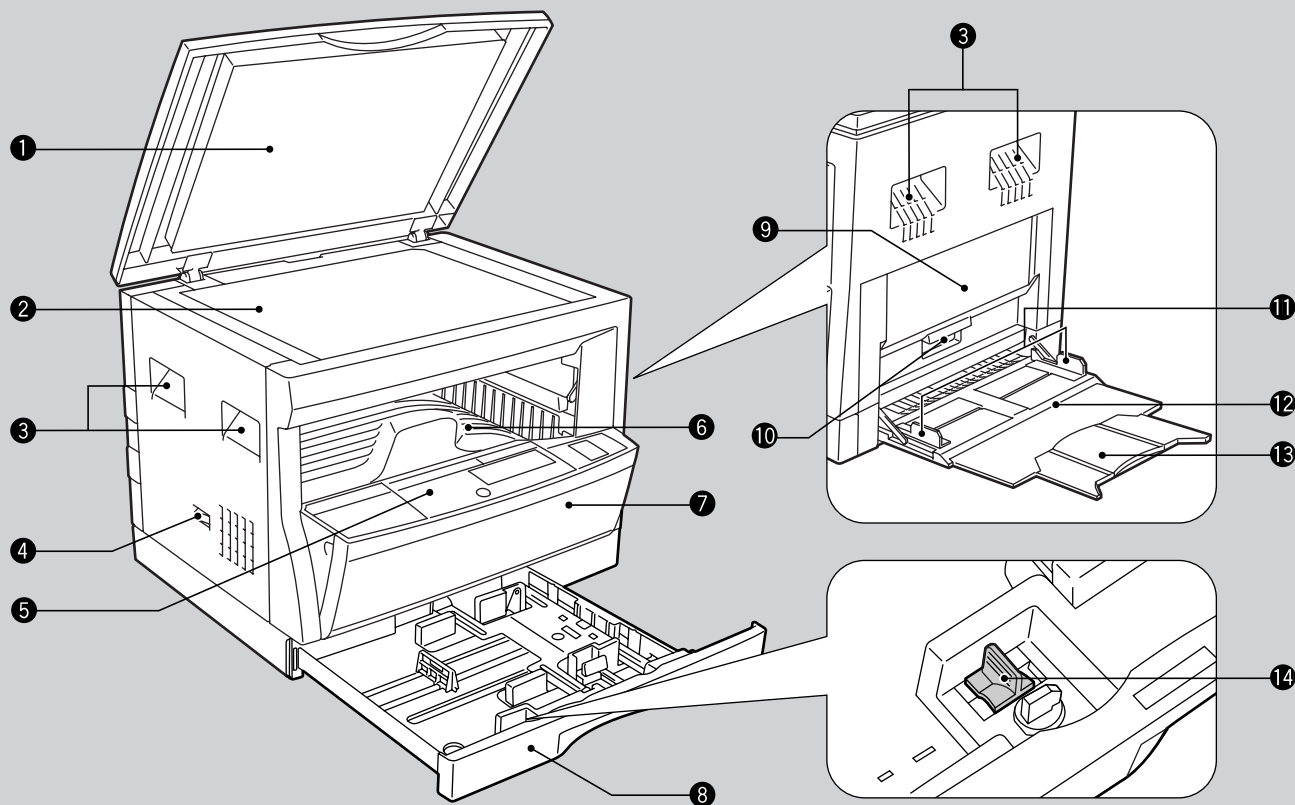
- ① **High-speed laser copying**
 - First-copy time is only 7.2 seconds (except in a power save mode or immediately after power on).
 - Copying speed is 16 copies/min., which adapts to business use, allowing improvement of working efficiency.
- ② **High-quality digital image**
 - High-quality copying at 600 dpi is performed.
 - In addition to the automatic exposure mode, the manual exposure can be adjusted in five steps.
 - The photo mode copying function allows clear copying of delicate halftone original images such as monochrome photos and color photos. Photo mode is adjustable in five steps.
- ③ **Substantial copying features**
 - Zoom copying from 50% to 200% in 1% increments can be performed.
 - Continuous copying of maximum 99 sheets can also be performed.
 - Useful special features such as the XY zoom, black and white reverse, and dual page copy are available.
 - Toner save mode reduces toner consumption by approximately 10%.
 - User programs allow setting/modification of functions for customer needs. Also the user programs allow the internal auditor to be controlled.
- ④ **Optional feature**
 - An optional single pass feeder (SPF) allows automatic document feeding of up to 30 sheets.
- ⑤ **Environmentally friendly design**
 - Paper output tray is housed in the copier for space saving.
 - Preheat and auto power shut-off modes are provided to reduce power consumption in standby mode and meet the Energy Star Guidelines.



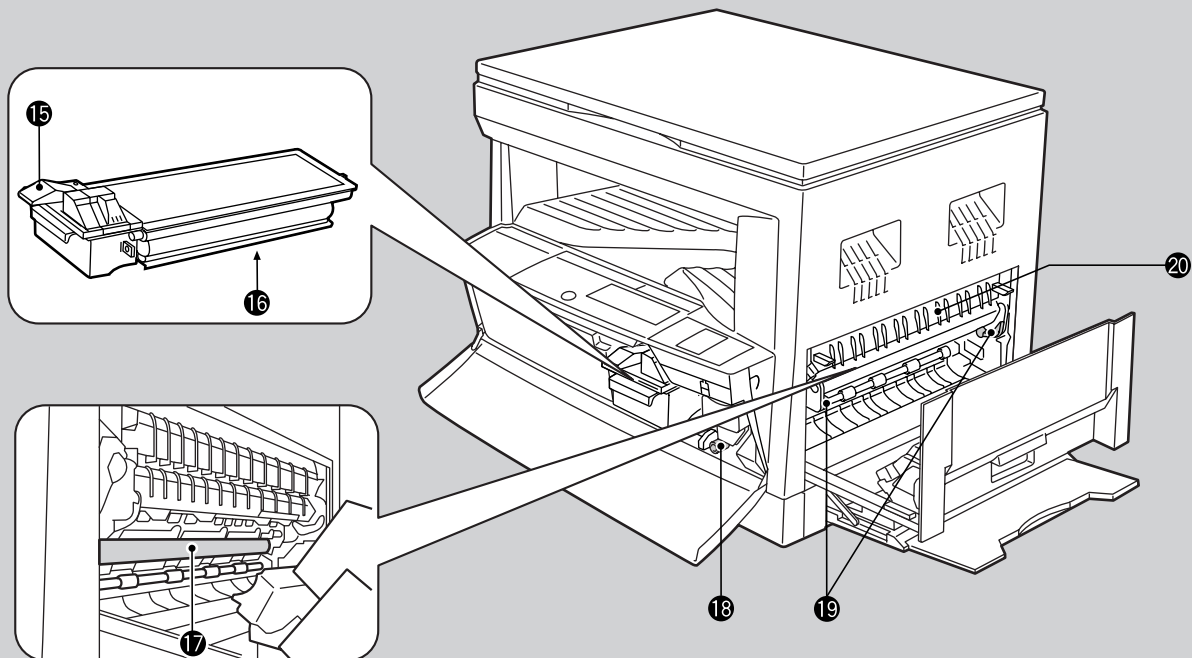
As an ENERGY STAR® Partner, SHARP has determined that this product meets the ENERGY STAR® guidelines for energy efficiency.

PART NAMES AND FUNCTIONS

Overall layout



- 1 Platen cover**
Place the original on the original table and close the platen cover before copying starts.
- 2 Original table**
Place the document to be copied here.
- 3 Handles**
Use to move the copier.
- 4 Power switch**
Press to turn copier power on and off.
- 5 Operation panel**
All copier controls are located here for easy operation.
- 6 Paper output tray**
Finished copies are deposited in the paper output tray.
- 7 Front cover**
Open to remove misfeeds and for copier servicing.
- 8 Paper tray**
Holds 250 sheets of copy paper.
- 9 Side cover**
Open to remove misfeeds and to service the copier.
- 10 Side cover handle**
Lift and pull to open the side cover.
- 11 Bypass tray guides**
Adjust to the width of the copy paper.
- 12 Bypass tray**
Paper including special paper (such as transparency film) can be fed from the bypass tray.
- 13 Bypass tray extension**
Pull out when feeding large paper such as 8-1/2" x 14" and 11" x 17".
- 14 Charger cleaner**
Use to clean the transfer charger.



15 Toner cartridge lock release lever

Use to unlock the toner cartridge.

16 Toner cartridge

Contains toner.

17 Photoconductive drum

Copy images are formed on the photoconductive drum.

18 Roller rotating knob

Turn to remove misfed paper.

19 Fusing unit release levers

Lower to remove misfed paper.



Warning

The fusing unit is hot.
Take care in removing paper.

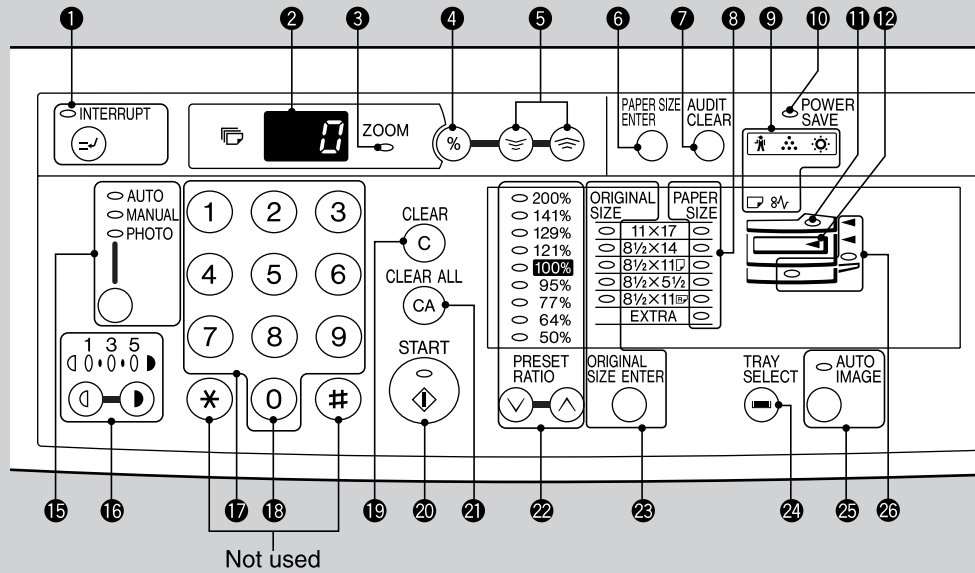
20 Paper guide





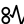
Open to remove misfed paper.

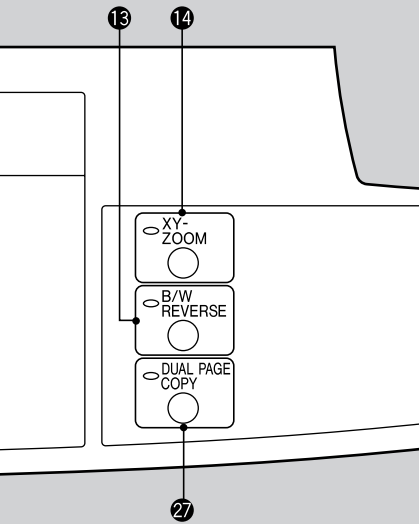
Accessories

Operation manual	1
Charger cleaner	1

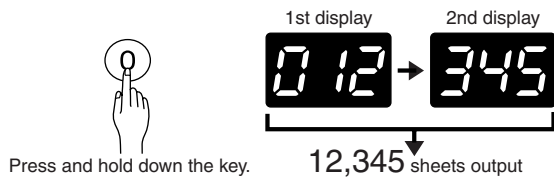
Operation panel



- 1 INTERRUPT key and indicator** (p. 25)
Interrupts a copy run.
- 2 Copy quantity display**
Displays the specified copy quantity during the ready condition and displays the copy countdown as copies are made. Also see items **4** and **18**.
- 3 ZOOM indicator** (p. 17)
Lights up when a zoom ratio is set.
- 4 Copy ratio display key** (p. 17)
Press and hold down during standby to display the copy ratio in the copy quantity display.
- 5 Zoom keys** (p. 17)
Use to select any reduction or enlargement copy ratio from 50% to 200% in 1% increments.
- 6 PAPER SIZE ENTER key** (p. 12)
Use to set the paper size in a paper tray.
- 7 AUDIT CLEAR key** (p. 13)
Closes an open account.
- 8 PAPER SIZE indicators**
Light up to show the selected copy paper size.
- 9 Alarm indicators**
 -  : Maintenance indicator (p.34)
 -  : Toner cartridge replacement required indicator (p.28)
 -  : Developer replacement required indicator (p.34)
 -  : Paper required indicator (p.10)
 -  : Misfeed indicator (p.30)
- 10 POWER SAVE indicator** (p. 42)
Lights up when the copier is in a power save mode.
- 11 SPF indicator** (p. 55)
Lights up when originals are set in the optional SPF.
- 12 Output tray full indicator**
Indicates copies must be removed from the paper output tray.
- 13 B/W REVERSE key and indicator** (p. 23)
Press to reverse the black and white areas.
- 14 XY-ZOOM key and indicator** (p. 21)
Press to change the horizontal and vertical copy ratios independently.
- 15 AUTO/MANUAL/PHOTO key and indicators** (p. 14)
Use to sequentially select the exposure modes: AUTO, MANUAL, or PHOTO.
- 16 Light and dark keys and indicators** (p. 15)
Use to adjust the MANUAL or PHOTO exposure level.
- 17 Numeric keys**
Use to select the desired copy quantity or to make user program entries.

**18 Zero key**

Use as part of numeric keys to enter copy quantity. Press during a continuous copy run to display the number of copies completed in the current run. Press and hold during standby to display the total output count.



Press and hold down the key.

Note: 11" x 17" size copies are counted as two copies.

19 CLEAR key

Clears the copy quantity display or terminates a copy run.

20 START key and indicator

Copying is possible when the indicator is on. Press to start copying.

21 CLEAR ALL (CA) key

Clears all selected settings and returns the copier to the initial settings.

22 PRESET RATIO selector keys and indicators (p. 17)

Use to sequentially select preset reduction/enlargement copy ratios: 50%, 64%, 77%, 95%, 100%, 121%, 129%, 141%, 200%.

23 ORIGINAL SIZE ENTER key and indicators (p. 16)

Use to input the original size for automatic copy ratio selection.

24 TRAY SELECT key (p. 14)

Use to manually select a paper tray.

25 AUTO IMAGE key and indicator

Press for automatic copy ratio selection.

26 Paper feed location/misfeed location indicators (p. 30)

The selected paper feed location is shown by a lit indicator (○).

The general location of misfed paper is shown by a blinking red indicator (◀).

27 DUAL PAGE COPY key and indicator (p. 24)

Use to make individual copies of two originals placed side by side on the original table.

Initial settings

The copier assumes the initial settings when it is first turned on, when the CLEAR ALL (CA) key is pressed, and approximately one minute* after the last copy is made in any mode.

- Copy ratio: 100%
- Exposure: Automatic
- Copy quantity: 0
- All special copier modes: Off
- Paper feed station: Previously selected paper tray

* This time (auto clear time) can be changed. See page 35, USER PROGRAMS.

COPIER INSTALLATION

Improper installation may damage the copier. Please note the following during initial installation and whenever the copier is moved.

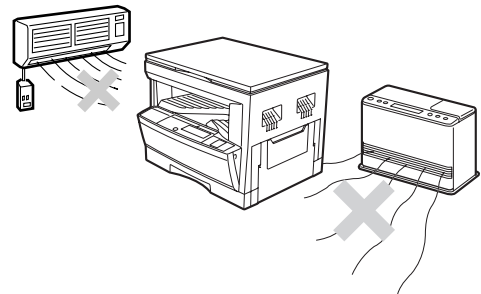
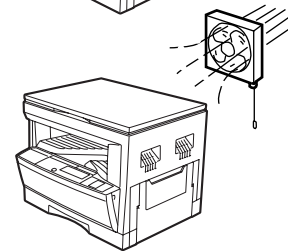
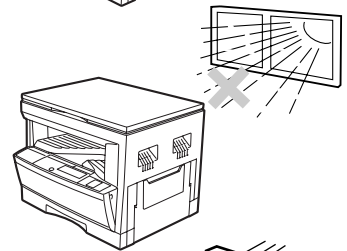
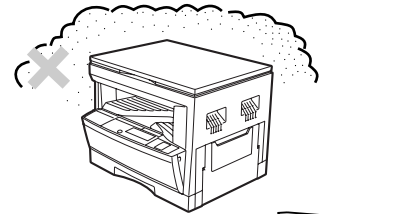


Caution

If the copier is moved from a cool place to a warm place, condensation may form inside the copier. Operation in this condition will cause poor copy quality and malfunctions. Leave the copier at room temperature for at least 2 hours before use.

Do not install your copier in areas that are:

- damp, humid, or very dusty
- exposed to direct sunlight
- poorly ventilated
- subject to extreme temperature or humidity changes, e.g., near an air conditioner or heater.



The copier should be installed near an accessible power outlet for easy connection.

Be sure to connect the power cord only to a power outlet that meets the specified voltage and current requirements.

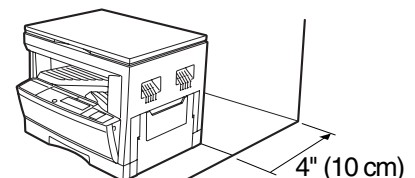
Also make certain the outlet is properly grounded.



Note

Connect the copier to a power outlet which is not used for other electric appliances. If a lighting fixture is connected to the same outlet, the light may flicker.

Be sure to allow the required space around the machine for servicing and proper ventilation.



A small amount of ozone is produced within the copier during operation. The emission level is insufficient to cause any health hazard.

NOTE:

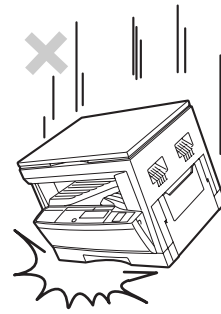
The present recommended long term exposure limit for ozone is 0.1 ppm (0.2 mg/m³) calculated as an 8 hr. time-weighted average concentration.

However, since the small amount that is emitted may have an objectionable odor, it is advisable to place the copier in a ventilated area.

CAUTIONS ON HANDLING

Be careful in handling the copier as follows to maintain the performance of this copier.

Do not drop the copier, subject it to shock or strike it against any object.



Store spare toner cartridges in a cool dry place without removing from the package before use.

If they are exposed to direct sunlight or excessive heat, poor copies may result.

Do not touch the photoconductive drum (green portion).
Scratches or smudges on the drum will cause dirty copies.



LOADING COPY PAPER

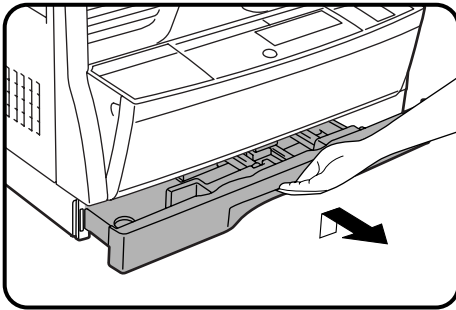
To save space, this copier has been designed with an adjustable front-loading tray, which is easily opened for paper loading. For best results, use only SHARP recommended paper. (See page 49.)

The paper required (☐) indicator will light up when there is no copy paper in the selected paper feed station, or when the paper tray is not installed or is improperly installed.

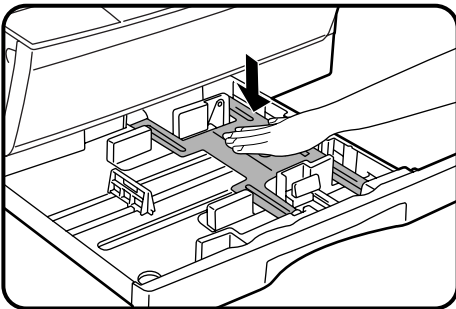


Note

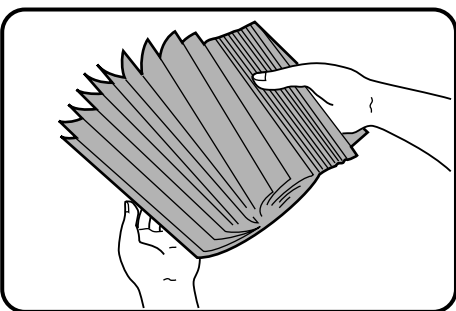
When the paper size is changed in the paper tray, the size of the paper must be entered by steps 8 through 10 on page 12. If not, the edges of copies may become smudged with toner. Also, the AUTO IMAGE feature will not function properly.



1 Gently lift and pull out the paper tray until it stops.

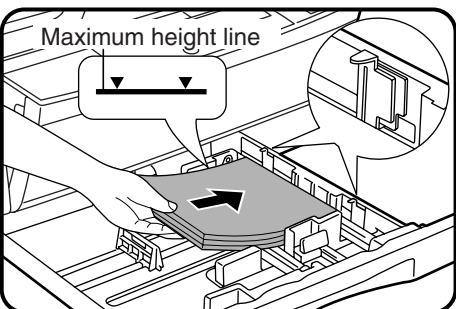


2 Push the pressure plate down until it locks in place.



3 Fan the copy paper and insert it into the tray. Make sure the edges go under the corner hooks.

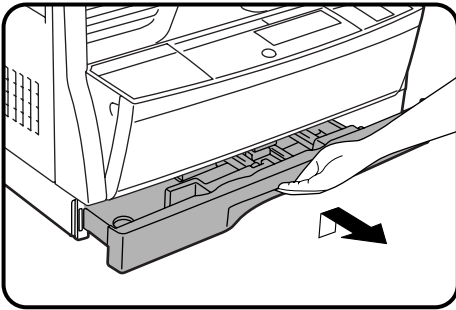
- If you change to a different size of copy paper, the tray must be adjusted. See the next page.



- Set the paper along the guides.
- The tray holds up to 250 sheets of 21 lb. bond paper. Do not load paper above the maximum height line.

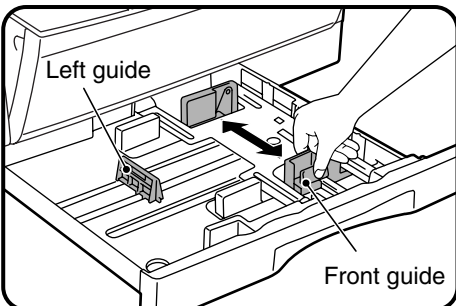
4 Push the paper tray firmly back into the copier.

Changing the copy paper size in the tray



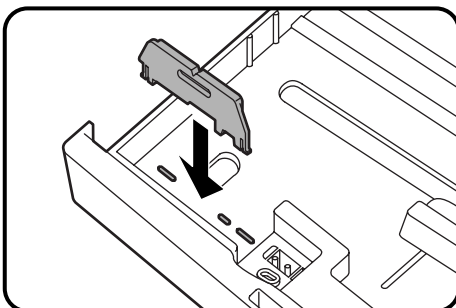
1 Gently lift and pull out the paper tray until it stops.

2 Push the pressure plate down until it locks in place.



3 Squeeze the lock lever of the front guide and slide the front guide to match the width of the paper.

4 Move the left guide to the appropriate slot as marked on the tray.

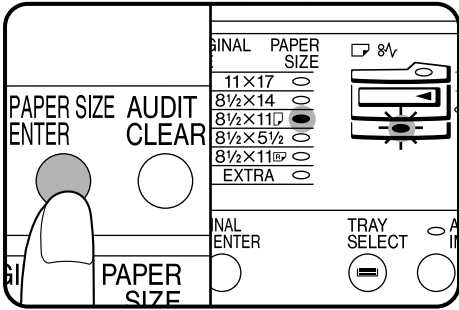


- When using 11" x 17" copy paper, store the left guide in the slot at the left front of the paper tray.

5 Load copy paper into the tray.

6 Place the appropriate label to indicate the selected paper size into the recess on the right front side of the paper tray.

7 Push the paper tray firmly back into the copier.

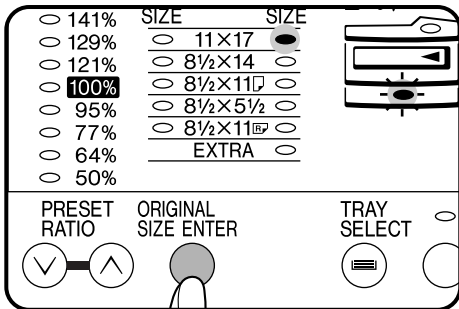


8 To set the selected paper size, press the PAPER SIZE ENTER key.

- The selected paper feed location indicator will blink and the corresponding paper size (which is currently set) indicator will light up steadily. All other indicators except the START key indicator will go out.

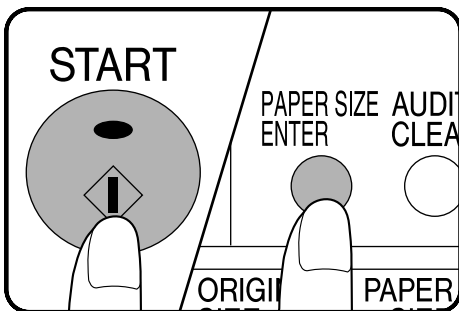


Note If copying is being performed, paper size setting cannot be made.



9 Use the ORIGINAL SIZE ENTER key to select the paper size which is set.

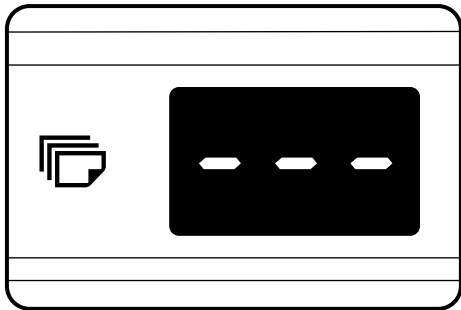
- Each time the ORIGINAL SIZE ENTER key is pressed, a paper size will be indicated with a paper size indicator.



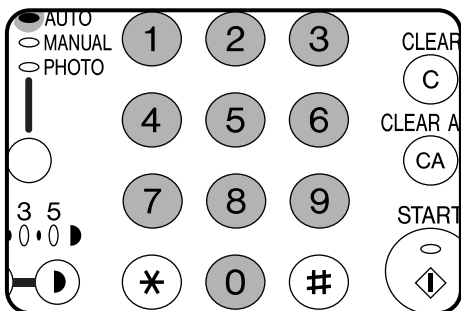
10 Press the START key and then the PAPER SIZE ENTER key.

AUDITING ACCOUNTS

If this copier has been programmed in the auditing mode, it will not function until an assigned 3-digit account number has been entered. See page 38 for setting the auditing mode.



If the copier has been programmed in the auditing mode, “---” will appear in the copy quantity display in the initial conditions.



1 Enter your account number using the numeric keys.

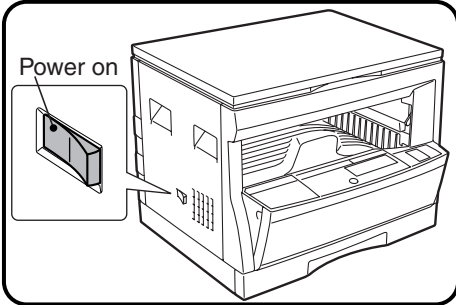
- As each digit is entered, the dashes in the copy quantity display will disappear.
- After the number is entered, the copy quantity display will change to 0.
- If an unassigned number is entered, “---” will appear again in the copy quantity display, indicating that the number was not accepted.



2 When copying is completed, press the AUDIT CLEAR key.

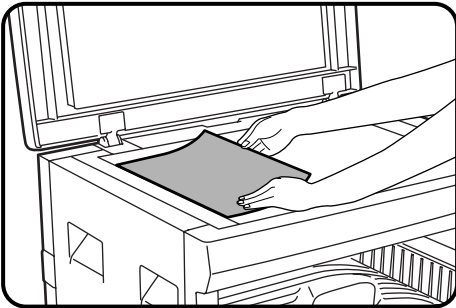
- “---” will appear again in the copy quantity display, indicating the auditing mode.
- In the interrupt copy mode (see page 25), press the INTERRUPT key after an interrupt copy run is completed. All previous copier settings will be restored and the previous account number will be active.

NORMAL COPYING



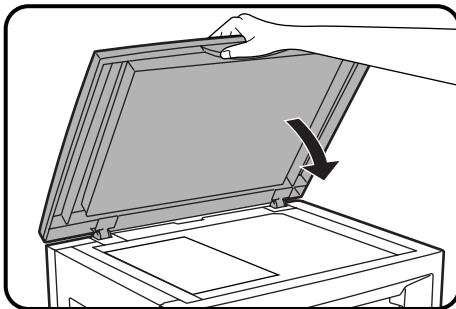
1 Turn the power switch on.

- It will take about 35 seconds for the copier to warm up. However, you can make desired settings and press the START key during warm-up. Copying will start after warm-up.
- If the copier has been programmed in the auditing mode, the START key indicator will not light up and “---” will appear in the copy quantity display. Enter an assigned 3-digit account number. See page 13.
- If the power is already on and all indicators except the POWER SAVE indicator are off, the copier is in the auto power shut-off mode. Press the START key in this case. See page 42, POWER SAVE MODES.

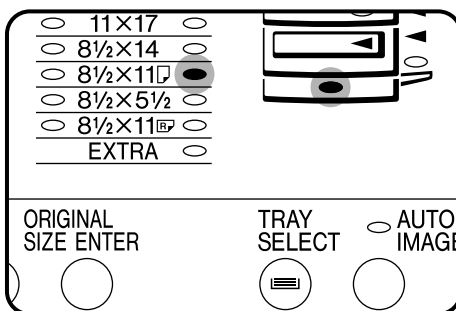


2 Place the original face down on the original table. Align it with the original size scale.

- Image loss (max. 5/32" (4 mm)) can occur at the leading and trailing edges of the copies. Also image loss (max. 5/32" (4 mm) in total) can occur along the other edges of the copies.

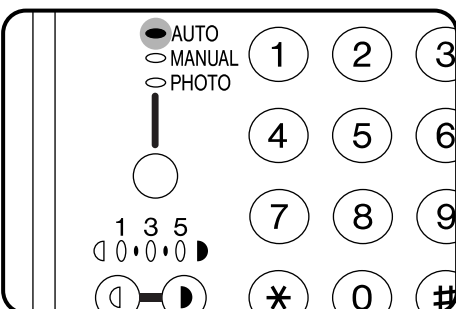


3 Close the platen cover.



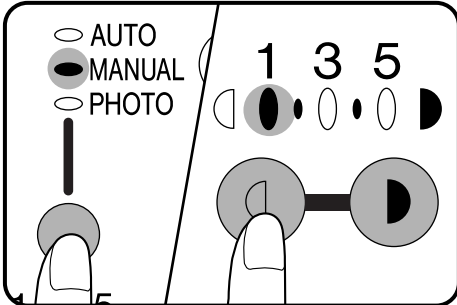
4 Ensure that the copy paper size in the paper tray is the same size as the original.

- If paper of the required size is not loaded in the paper tray, use the bypass tray and press the TRAY SELECT key to select the bypass tray.

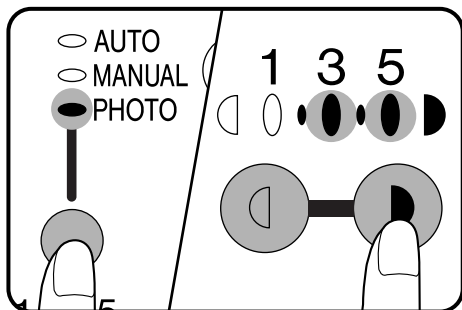


5 Adjust the copy density.

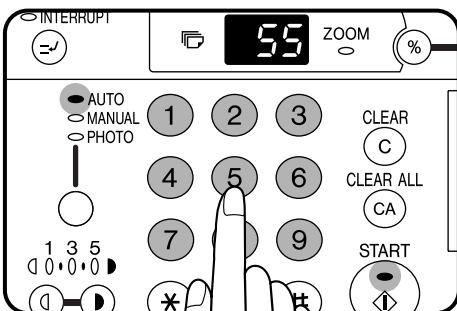
- This copier has three exposure modes to choose from — AUTOMATIC, MANUAL, and PHOTO.
- Automatic exposure is the standard initial setting for this copier. In this mode, the characteristics of the original are “read” by the exposure system and adjustments are automatically made. This optimizes the contrast of the copied images by reducing the effect of colored or shaded background areas. See page 26 to adjust the automatic exposure level.



- For manual copy density adjustment, press the AUTO/MANUAL/PHOTO key to select MANUAL and adjust with the light (◐) and dark (◑) keys as desired.

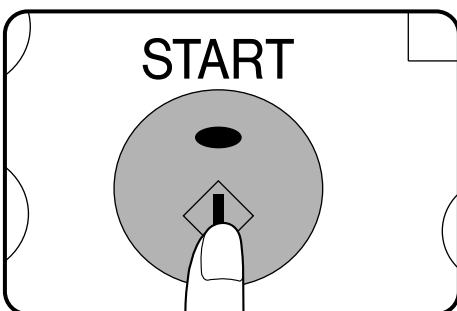


- For photographs, select PHOTO and then adjust with the light (◐) and dark (◑) keys as desired.
- There are 5 exposure steps indicated by 3 indicator lights. (The indicators light up one or two at a time.)
If exposure level 2 is selected, the two left-handmost indicators for that level will light up simultaneously. Also, if level 4 is selected, the two right-handmost indicators for that level will light up simultaneously.



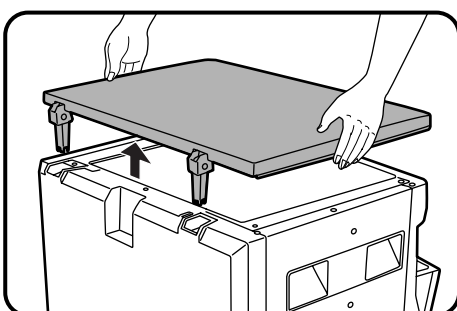
6 Set the number of copies using the numeric keys.

- A single copy can be made with the initial setting, i.e., when “0” is displayed.
- Press the CLEAR (C) key to clear an entry if a mistake is made.



7 Press the START key.

- The number in the copy quantity display will decrease by 1 each time a copy is made.
- Press the CLEAR key to stop copying in the middle of a run.
- To repeat the same copy sequence for a different original, simply replace the original and press the START key.
- If the paper in the paper tray runs out during the copy run, the bypass tray can be selected using the TRAY SELECT key.



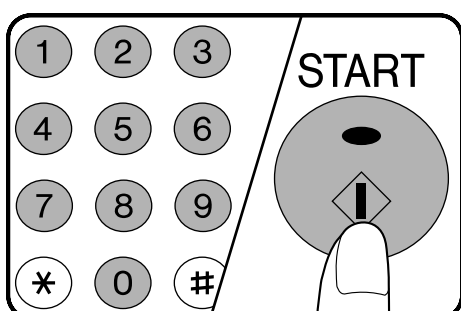
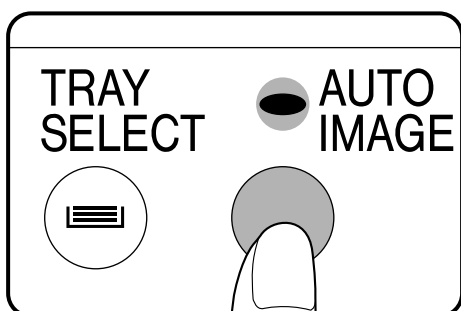
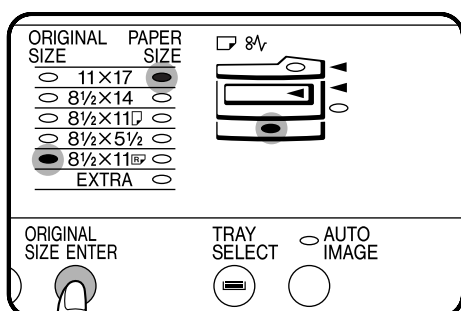
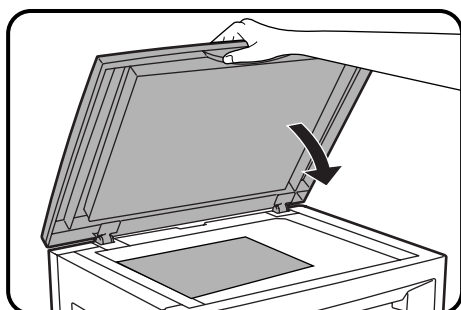
How to remove the platen cover

The platen cover can be removed to allow copying of bulky objects. To remove it, simply lift the platen cover straight up.

- To reattach the platen cover, reverse the above procedure.

REDUCTION/ENLARGEMENT/ZOOM

Reduction and enlargement ratios can be selected either automatically with the AUTO IMAGE key or manually with the PRESET RATIO selector (⏏, ⏏) keys and/or the zoom (⏏, ⏏) keys. The zoom function enables precise copy ratio selection from 50% to 200% in 1% increments.



Automatic

1 Place the original on the original table and close the platen cover.

2 Press the ORIGINAL SIZE ENTER key until the indicator for the size of the original on the original table lights up.

- This feature will not work when copy paper of non-standard size is used or the bypass tray is used.

3 Press the AUTO IMAGE key.

- The copy ratio will be automatically set.
- If a PRESET RATIO indicator is blinking, part of the original image may not be copied.



Note

If the orientation of the original does not correspond to standard reduction/enlargement ratios for the selected paper tray, the ORIGINAL SIZE indicator will blink. Change the orientation of the original.

4 Set the number of copies.

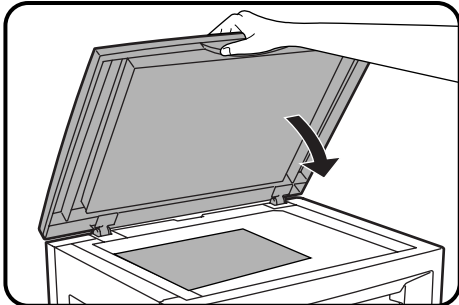
5 Press the START key.



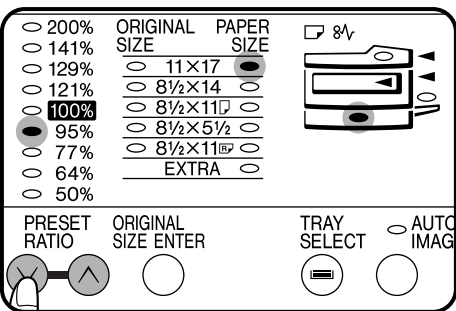
Note

- To cancel the automatic reduction/enlargement mode, press the AUTO IMAGE key again.
- When copying from an optional SPF with this feature, the automatic reduction/enlargement mode will be automatically canceled after copying is complete.

Manual



1 Place the original on the original table and close the platen cover.



2 Use the PRESET RATIO selector (▼, ▲) keys and the zoom (⇐, ⇒) keys to select the desired copy ratio.

- To select a preset reduction or enlargement copy ratio, press the ▼ or ▲ key repeatedly until the indicator for the desired copy ratio is lit.

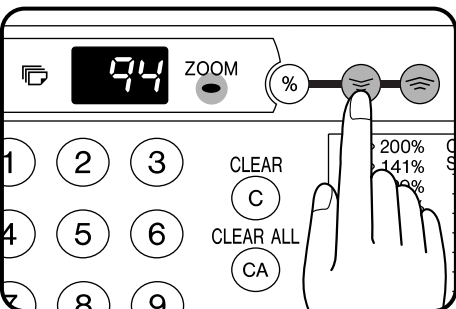
- A. Preset reduction ratios are: 95%, 77%, 64%, and 50% .
- B. Preset enlargement ratios are: 121%, 129%, 141%, and 200%.
- C. Zoom ratios: Any ratio from 50% to 200% can be set, in 1% increments. Press the ▼ or ▲ key to set the approximate ratio, then press the ⇐ key to decrease the ratio or the ⇒ key to increase the ratio.

- When a zoom (⇐, ⇒) key is pressed, the ZOOM indicator will light up and the zoom ratio will be displayed in the copy quantity display for at least two seconds.

- To verify a zoom setting without changing the zoom ratio, press and hold down the copy ratio display (Ⓢ) key. When the key is released, the display will return to the copy quantity display.

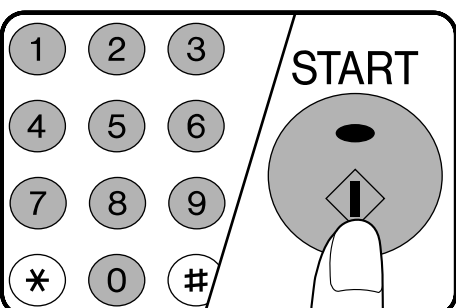
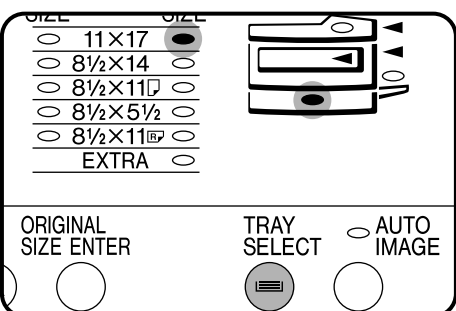
- To decrease or increase the zoom ratio rapidly, press and hold down the ⇐ or ⇒ key. However the value will stop at the preset reduction or enlargement ratios. To move beyond these ratios, release the key and then press and hold it down again.

- D. Same-size reset: Press the ▼ or ▲ key repeatedly until the copy ratio returns to 100%.



3 Ensure that copy paper of the desired size is installed in the paper tray.

- If desired, the bypass tray can be selected by pressing the TRAY SELECT key.



4 Set the number of copies and press the START key.

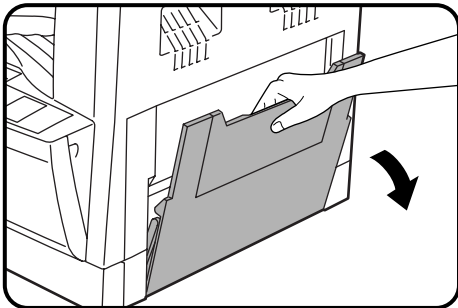
BYPASS FEED (special paper)

The bypass tray is used to copy onto transparency film, labels, and other special purpose papers. Up to 100 sheets of standard copy paper can be set in the bypass tray.

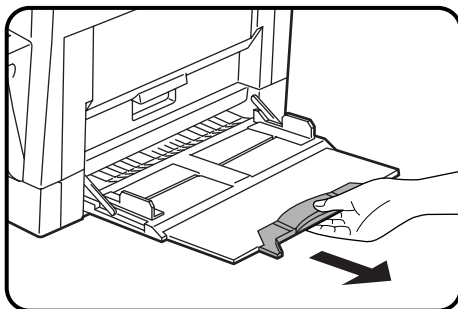


Note

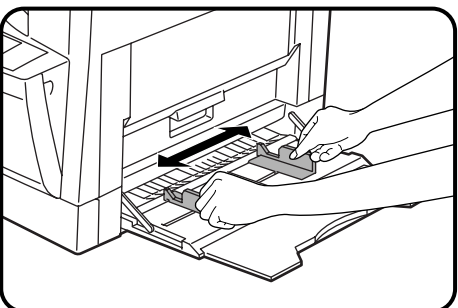
For special purpose papers, the original image must be smaller than the paper or media for copying. If the original image is bigger than the paper or media, this may cause smudges on the edges of the copies. Also for standard copy paper, smudges may appear if the copy paper is not at least as large as the original image.



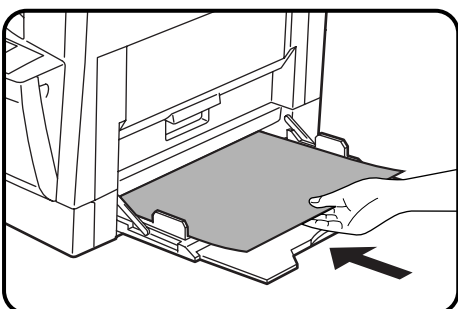
1 Unfold the bypass tray.



- When feeding 8-1/2" x 14" or 11" x 17" sized paper, extend the feeder tray.

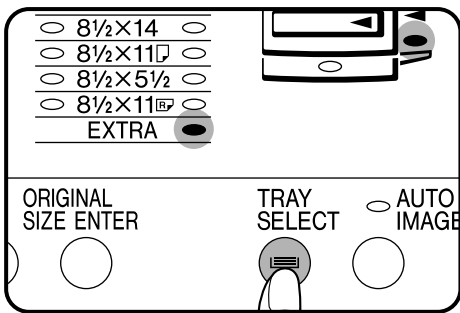


2 Set the paper guides to the copy paper width.

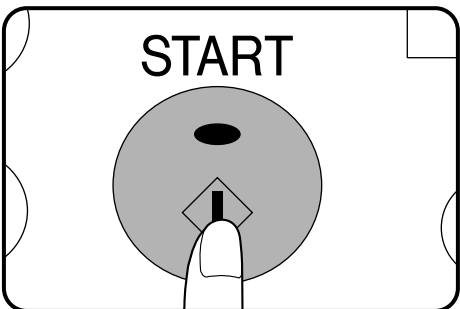


3 Insert the copy paper (print face down) all the way into the bypass tray.

- Up to 100 sheets of standard copy paper measuring from 5-1/2" x 8-1/2" to 11" x 17" can be loaded in the bypass tray.
- Transparency film, labels, and other special purpose papers (except envelopes) must be fed individually. Up to 10 envelopes can be set.
- When adding paper, first remove remaining paper, combine it with the paper to be added and then reload as a single stack.
- When loading envelopes, make sure that they are straight and flat.



4 Press the TRAY SELECT key to select the bypass tray.

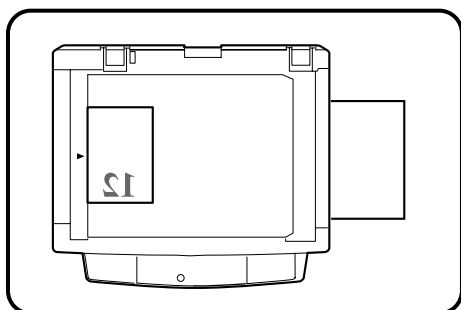


5 Leave the copy quantity at 0 if using special papers. Set the number of copies if using standard copy paper or envelopes.

6 Press the START key.

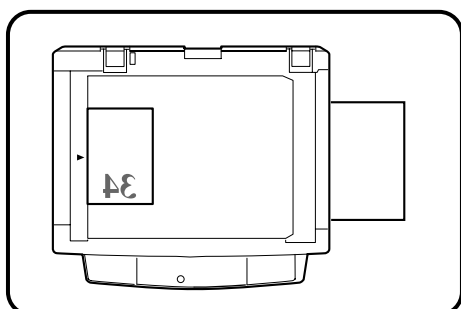
TWO-SIDED COPYING

Two-sided copies can be made on this copier using the bypass tray.



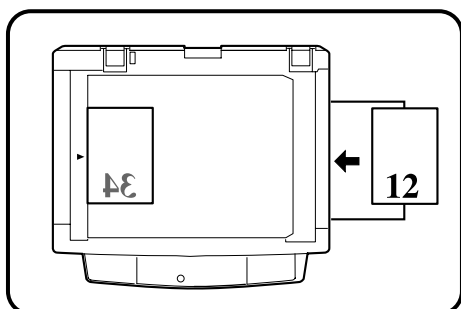
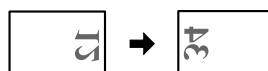
1 Place the first original on the original table and make a copy.

- The first copy can be made using any of the paper feed stations.



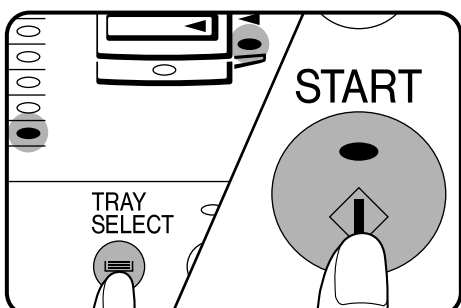
2 Replace the first original with the second original and close the platen cover.

- Make sure that the first and second originals are oriented in the same way on the original table.
- When the originals are placed horizontally, make sure that the first and second originals are oriented in the reverse way on the original table.



3 Turn the first copy over left to right and place it into the bypass tray.

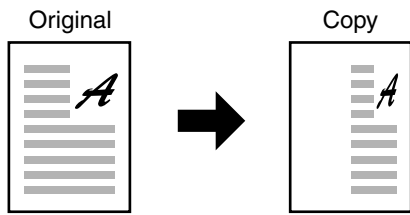
- Be sure to feed the copies one sheet at a time.



4 Use the TRAY SELECT key to select the bypass tray.

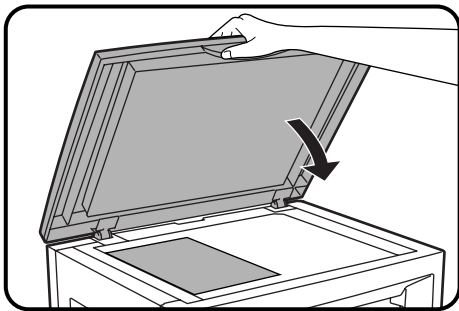
5 Press the START key.

XY ZOOM

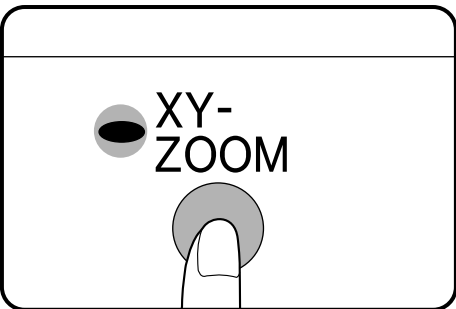


The XY ZOOM feature allows the horizontal and vertical copy ratios to be changed independently.

To use the XY ZOOM feature with the DUAL PAGE COPY feature, set the DUAL PAGE COPY feature first and then the XY ZOOM feature. (Enlargement cannot be set.)

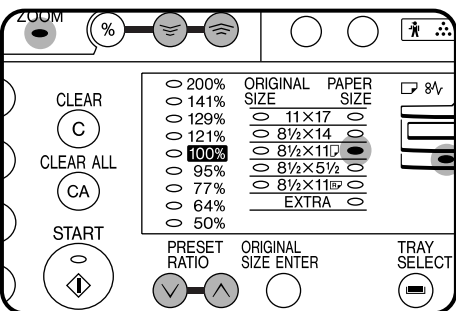


- 1 Place the original on the original table and close the platen cover.**



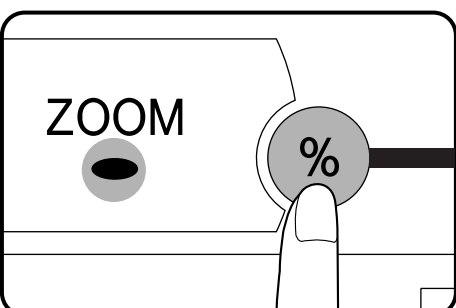
- 2 Press the XY-ZOOM key.**

- The current value for the vertical direction will be displayed in the copy quantity display.



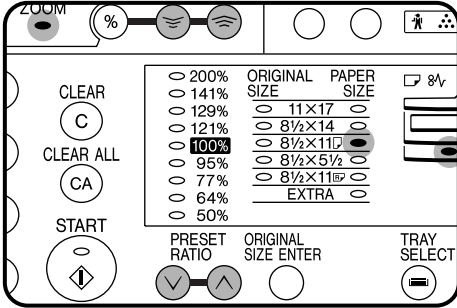
- 3 Use the PRESET RATIO selector (∇ , \blacktriangle) keys and zoom (\ominus , \oplus) keys to change the copy ratio in the vertical direction.**

- Press a PRESET RATIO selector (∇ or \blacktriangle) key to set an approximate ratio, then press the \ominus key to decrease the ratio or \oplus key to increase the ratio. The copy ratio will be displayed in the copy quantity display.

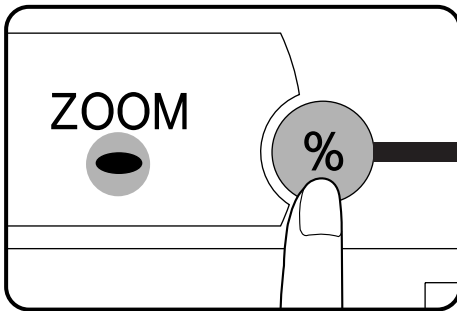


- 4 Press the copy ratio display ($\%$) key.**

- The selected ratio for the vertical direction will be entered and the current value for the horizontal direction will be displayed in the copy quantity display.

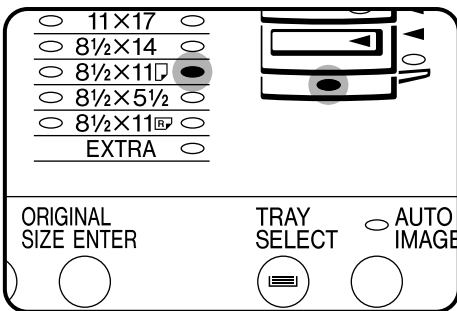


5 Use the PRESET RATIO selector (⏴, ⏵) keys and zoom (⏴, ⏵) keys to change the copy ratio in the horizontal direction in a similar manner as for the vertical direction.



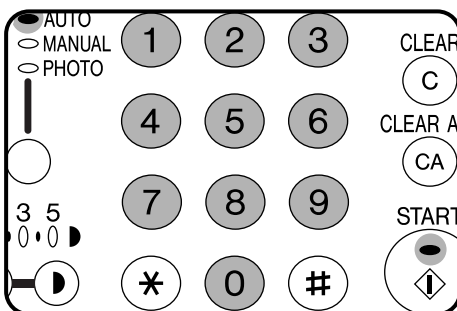
6 Press the copy ratio display (Ⓢ) key.

- The selected ratio for the horizontal direction will be entered and the display will change to the copy quantity display.
- To verify the copy ratios, press and hold down the copy ratio display (Ⓢ) key. The vertical and horizontal ratios will be alternately displayed.

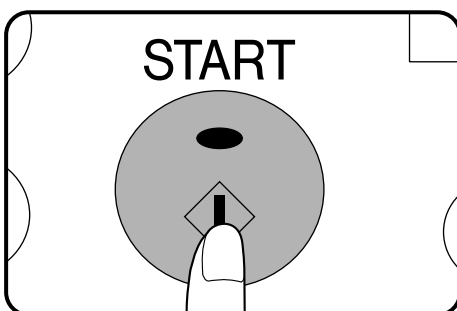


7 Ensure that copy paper of the desired size is installed in the paper tray.


- If desired, the bypass tray can be selected by pressing the TRAY SELECT key.



8 Set the number of copies.

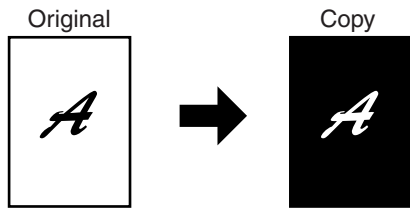


9 Press the START key.

 Note

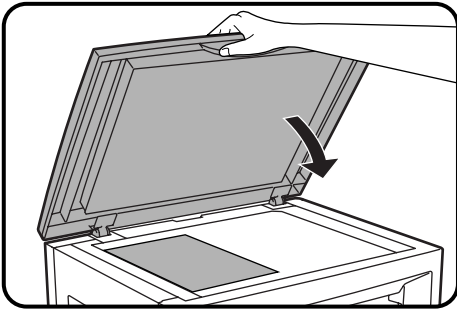
- To change the copy ratios again, press a PRESET RATIO selector (⏴, ⏵) key or a zoom (⏴, ⏵) key. Then, perform step 3 and the succeeding steps.
- To cancel this function, press the XY-ZOOM key again.

B/W REVERSE

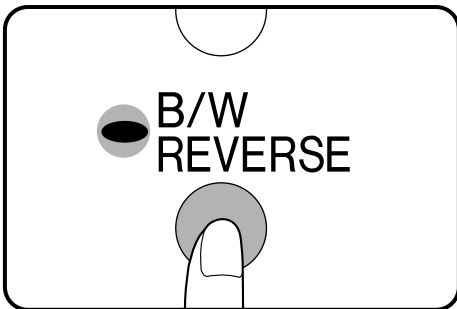


The B/W REVERSE feature is used to reverse black and white areas.

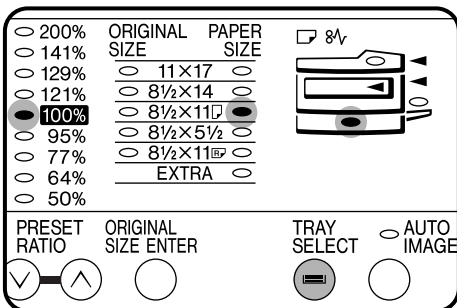
- When the B/W REVERSE feature is selected, the exposure mode will be automatically set to the MANUAL mode. Other exposure modes cannot be selected. Even if this feature is canceled, the MANUAL mode will not automatically be canceled.



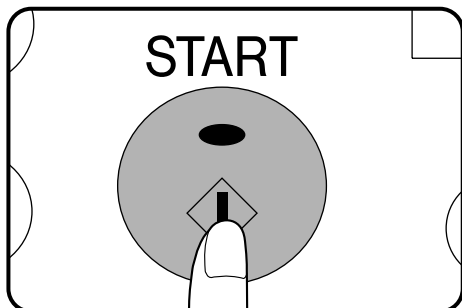
- 1** Place the original on the original table and close the platen cover.



- 2** Press the B/W REVERSE key.

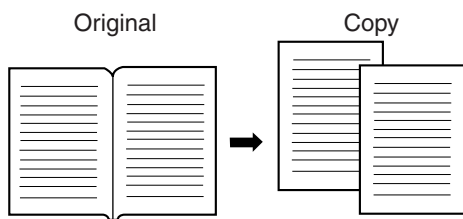


- 3** Check the copy paper size.
 - If desired, the bypass tray can be selected by pressing the TRAY SELECT key.



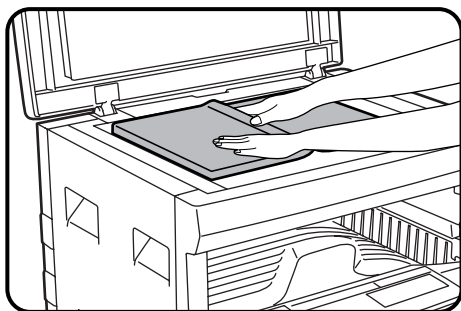
- 4** Make all other desired copier selections and press the START key.

DUAL PAGE COPY



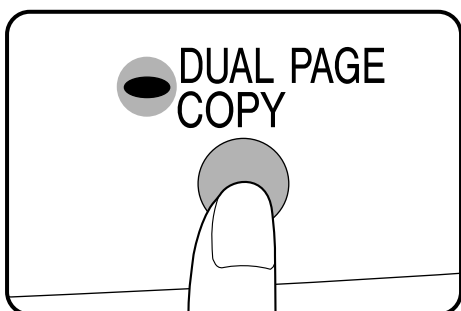
The DUAL PAGE COPY feature produces individual copies of two documents placed side by side on the original table. It is especially useful when copying books and other bound documents. If the AUTO IMAGE feature has been selected, this feature cannot be selected.

To use the DUAL PAGE COPY feature with the XY ZOOM feature, set the DUAL PAGE COPY feature first and then the XY ZOOM feature. (Enlargement cannot be set.)



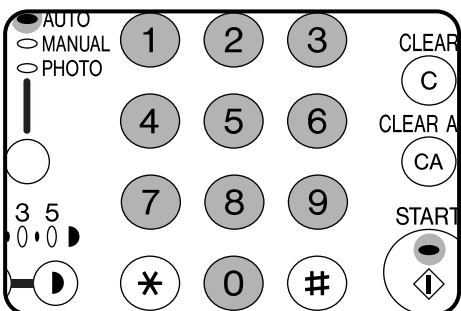
- 1 Place the originals on the original table with the center of the two pages aligned with the paper size index (☐ 8 1/2). Close the platen cover.**

- Set the page to be copied first to the right of the paper size index mark.

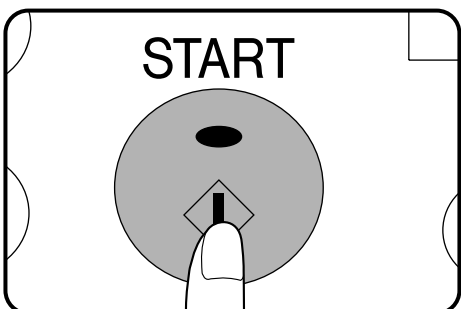


- 2 Press the DUAL PAGE COPY key.**

- Check to be sure that the copy paper size in the paper tray is 8-1/2" x 11".



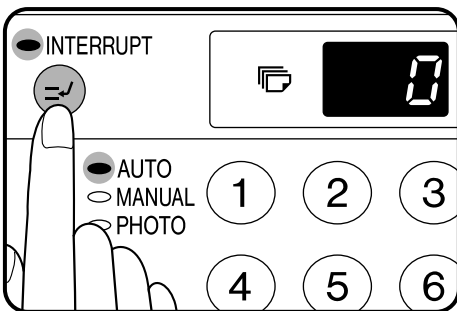
- 3 Set the number of copies.**



- 4 Press the START key.**

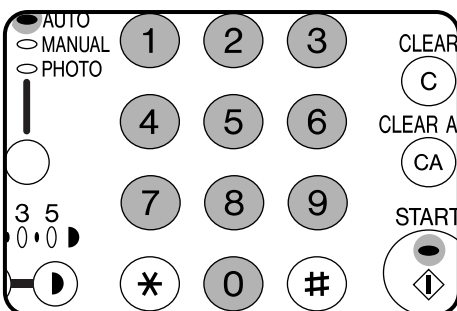
INTERRUPTING A COPY RUN

INTERRUPT is used to interrupt a long copy run so that another job can be done.



1 Press the INTERRUPT key.

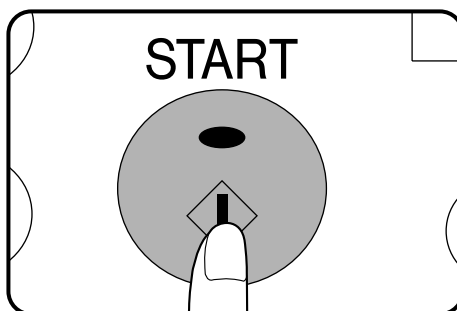
- The copier will return to the initial settings.
- If this copier has been programmed in the auditing mode using user program No. 10, “---” will appear in the copy quantity display. Enter your account number using the numeric keys. The number of copies of the interrupt copying will be accumulated against this account number. See page 13.
- When an optional SPF is being used, the copier will stop after completing the copying of the original which has been fed into the SPF.



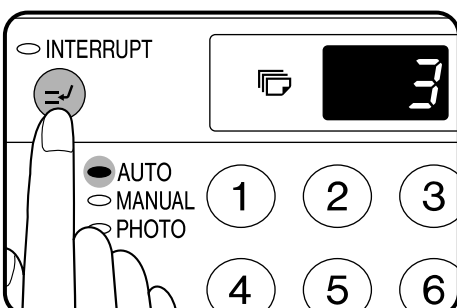
2 When the copier stops, remove the original(s) and set the original(s) for interrupt copying.

3 Select the desired available copier functions.

4 Set the number of copies.



5 Press the START key.



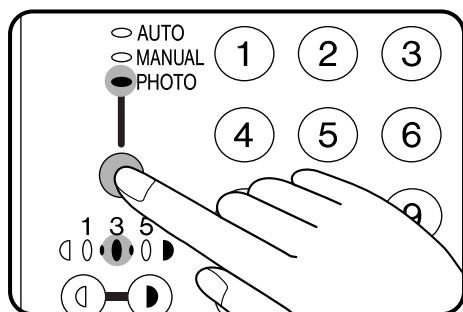
6 When all INTERRUPT copies are finished, press the INTERRUPT key again to cancel the INTERRUPT mode, and remove the original used for interrupt copying.

- The previous copy quantity, copy ratio, copy density, and paper size will be automatically restored.

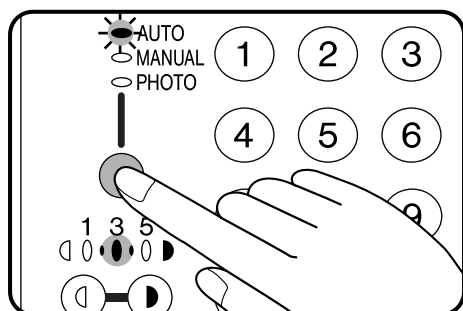
7 Replace the original for the interrupted job and press the START key to resume copying.

AUTOMATIC EXPOSURE ADJUSTMENT

The automatic exposure level can be adjusted to suit your copying needs. This level is set for copying from the original table and copying from the optional SPF respectively. To set the level for the optional SPF, place an original in the document feeder tray and make sure that the SPF indicator lights up before proceeding to step 1. To set the level for the original table, ensure that the SPF indicator does not light up.

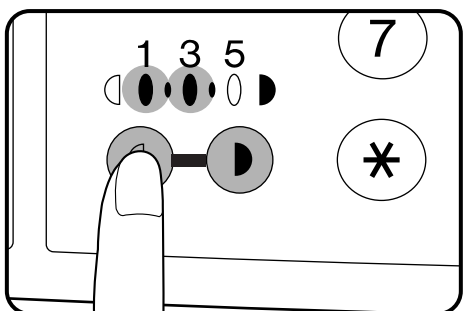


1 Press the AUTO/MANUAL/PHOTO key to select the PHOTO mode.

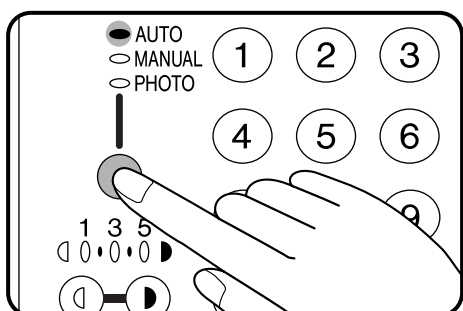


2 Press and hold down the AUTO/MANUAL/PHOTO key for approximately 5 seconds.

- The PHOTO indicator will go out and the AUTO indicator will begin to blink.
- One or two exposure indicators corresponding to the current automatic exposure level will light up. The factory default setting is level “3”.



3 Press the light (D) or dark (D) key to lighten or darken the automatic exposure level as desired.

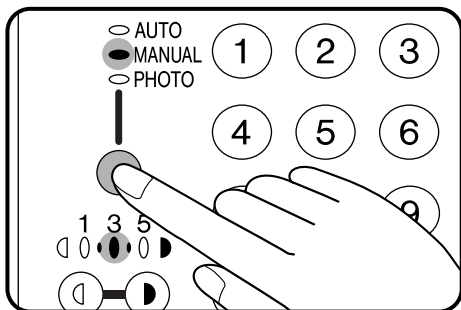


4 Press the AUTO/MANUAL/PHOTO key.

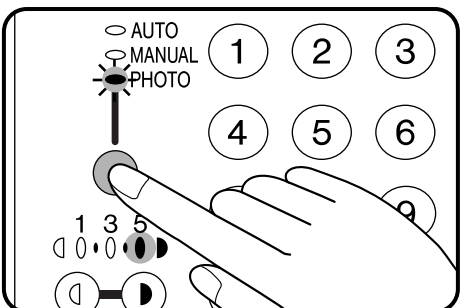
- The AUTO indicator will stop blinking and will light up steadily.
- This automatic exposure level will remain in effect until you change it again by this procedure.

TONER SAVE MODE

This mode reduces toner consumption by approximately 10% in the automatic and manual exposure modes. Copies will be lighter but still adequate for general use. Selection of this mode does not affect the PHOTO mode. Follow the procedure below for setting the toning level.

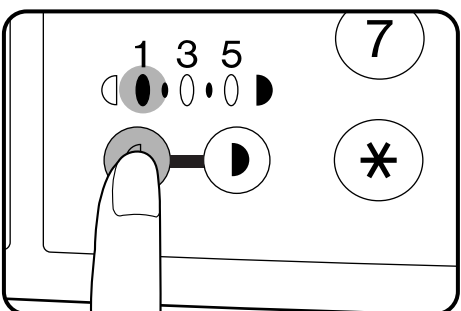


1 Press the AUTO/MANUAL/PHOTO key to select the MANUAL mode.



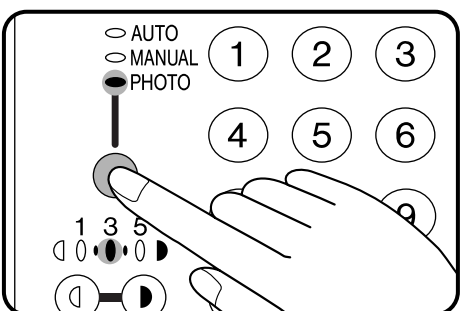
2 Press and hold down the AUTO/MANUAL/PHOTO key for approximately 5 seconds.

- The MANUAL indicator will go out and the PHOTO indicator will begin to blink.
- The exposure indicator marked “5” will light up, indicating that the standard toner mode is active.



3 To enter the toner save mode, press the light (①) key.

- The exposure indicator marked “1” will light up, indicating that the toner save mode is selected.



4 Press the AUTO/MANUAL/PHOTO key.

- The PHOTO indicator will stop blinking and will light up steadily. The toner save mode is now active.
- To return to the standard mode, repeat the procedure but use the dark (⑤) key to select exposure level “5” in step 3.



TONER CARTRIDGE REPLACEMENT

When the toner cartridge replacement required (⋯) indicator lights up, replacement of the toner cartridge will be needed soon. Obtain a new cartridge. When the toner cartridge replacement required (⋯) indicator blinks, the toner cartridge must be replaced before copying can be resumed. Replace the toner cartridge by following the procedure below.

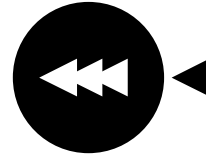
For best copying results, be sure to use only SHARP Genuine Supplies which are designed, engineered and tested to maximize the life and performance of SHARP copiers. Look for the Genuine Supplies label on the toner package.



Note

During a long copy run of a dark original, the ⋯ indicator may blink and the copier stop, even though toner is left. The copier will feed toner up to 2 minutes and then the START key indicator will light up. Press the START key to restart copying.

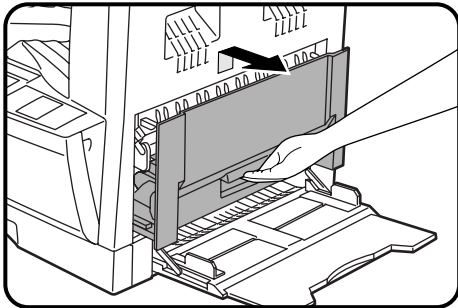
SHARP



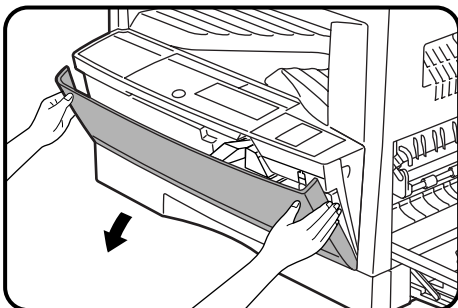
GENUINE SUPPLIES

STATUS INDICATORS

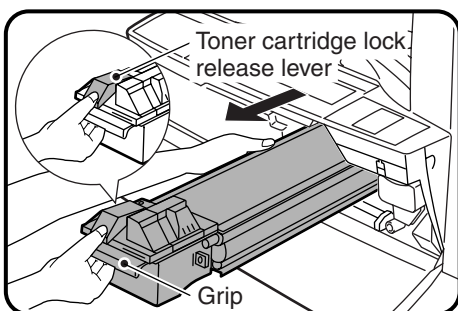
⋯ Toner cartridge replacement



1 Open the bypass tray. Lift slightly on the side cover and slide the cover out until it stops.



2 Push gently on both sides of the front cover and open it.



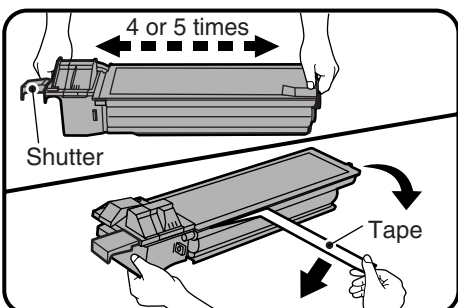
3 Push the toner cartridge lock release lever and pull the toner cartridge out. Remove the toner cartridge while supporting it with the left hand at the green label position.

- For disposal of the old toner cartridge, contact your dealer.



Note

After removing the toner cartridge, do not shake it or tap on it. Doing so may cause toner to leak from the cartridge. Put the old cartridge immediately in the bag contained in the box of the new cartridge.

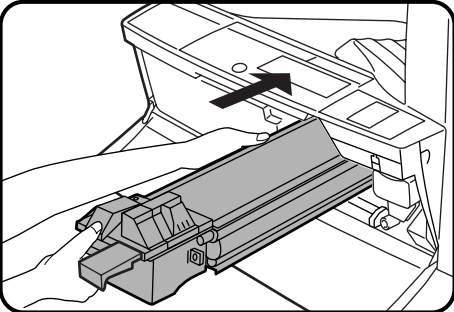


4 Remove the new toner cartridge from the bag. Grasp the cartridge on both sides and shake it horizontally four or five times. After shaking the cartridge, remove the tape.



Note

Grasp the grip when holding the cartridge. Do not hold the cartridge by the shutter. Be sure to only shake the cartridge before the tape is removed.

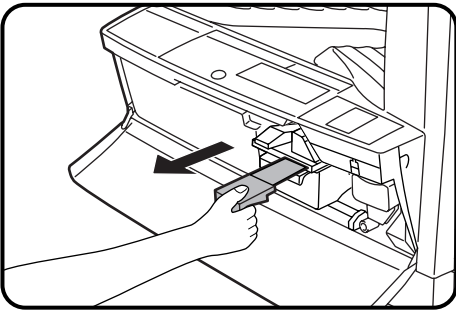


5 Gently insert the toner cartridge along the guides until it locks in place while pushing the lock release lever.



Note

If dirt or dust is adhered to the toner cartridge, remove it before installing the cartridge.



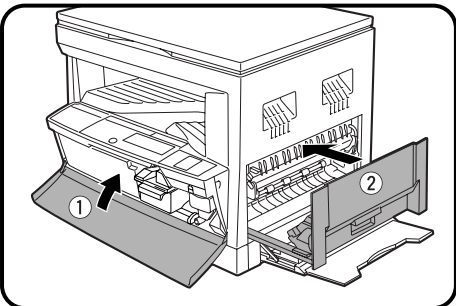
6 Remove the tape from the shutter. Pull the shutter out of the toner cartridge as shown in the illustration. Discard the shutter.

7 Close the front cover by pushing both sides with your hands and then close the side cover by pressing the handle on the cover. The \therefore indicator will go out.



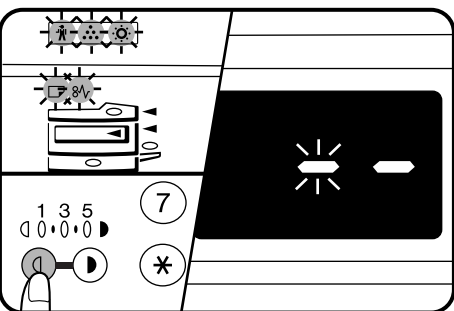
Caution

When closing the covers, be sure to close the front cover securely and then close the side cover. If the covers are closed in the wrong order, the covers may be damaged.



Note

Even after a new toner cartridge is installed, the START key indicator may not light up, indicating copying cannot be restarted (toner is not sufficiently fed). In this case, open and close the side cover. The copier will feed toner again approximately 2 minutes and then copying can be restarted.



Toner cartridge life

To find out the approximate quantity of toner remaining, follow the procedure below.

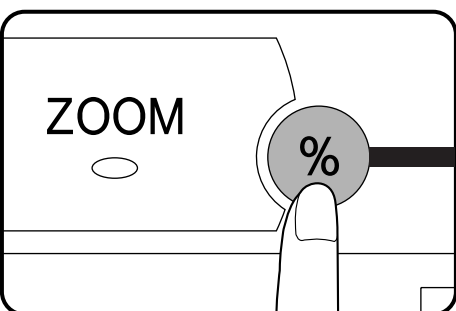
1 Press and hold the light ($\text{\textcircled{1}}$) key for more than 5 seconds until all the alarm indicators ($\text{\textcircled{!}}$, $\text{\textcircled{\Delta}}$, $\text{\textcircled{\square}}$, and $\text{\textcircled{\circ}}$) blink and “LO” appears in the copy quantity display.

2 Press and hold the copy ratio display ($\text{\textcircled{\%}}$) key for more than 5 seconds.

- The approximate quantity of toner remaining will be indicated in the copy quantity display as a percentage. (“100”, “75”, “50”, “25”, or “10” is displayed.) When the percentage is less than 10%, “LO” will be displayed.


3 Press the light ($\text{\textcircled{1}}$) key.

- All the alarm indicators will go out.





MISFEED REMOVAL

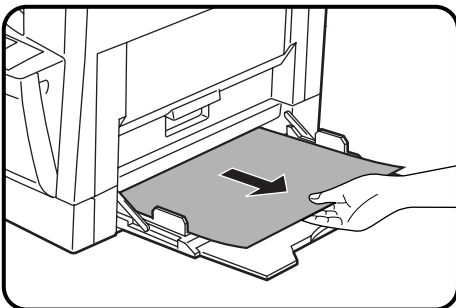
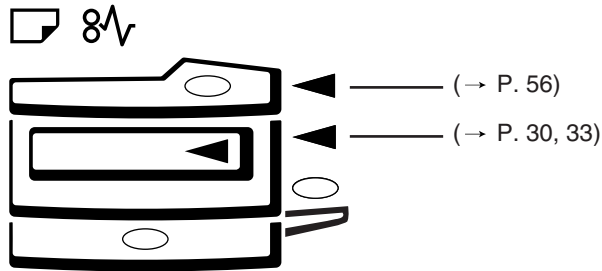
The copier will stop when a misfeed occurs. The misfeed () indicator will blink, and blinking red misfeed location indicators will indicate the approximate misfeed location.

If paper is accidentally torn during removal, be sure to remove all pieces.

Be careful not to damage the photoconductive drum.

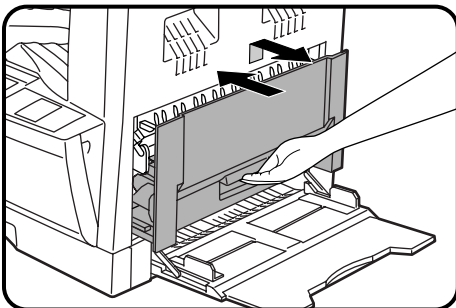
For misfeeds in optional equipment, see its section of the operation manual.

First confirm the misfeed location.




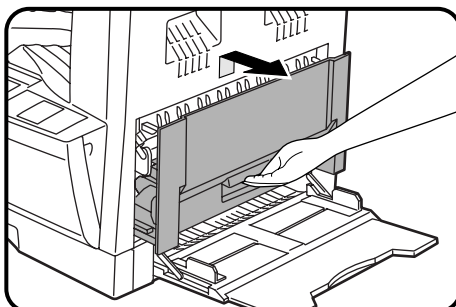
Misfeed in the bypass tray

1 Gently pull the misfed paper out.



2 Lift slightly on the side cover and slide the cover out until it stops. Close the side cover by pressing the handle on the cover.

- The misfeed () indicator will go out.



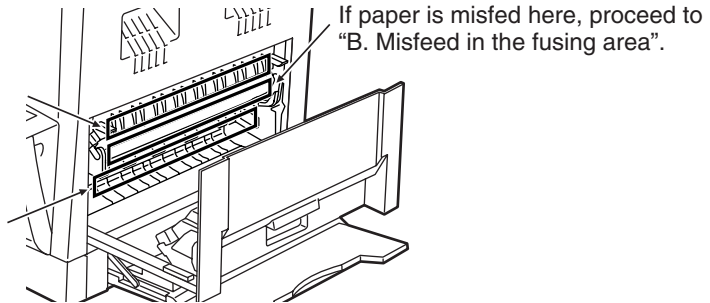
Misfeed in the copier

1 Open the bypass tray. Lift slightly on the side cover and slide the cover out until it stops.

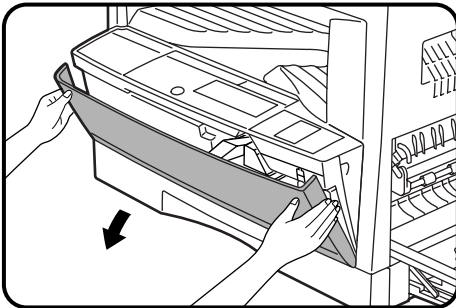
2 Check the misfeed location. Remove the misfed paper following the instructions for each location in the illustration below.

If the misfed paper is seen from this side, proceed to "C. Misfeed in the transport area".

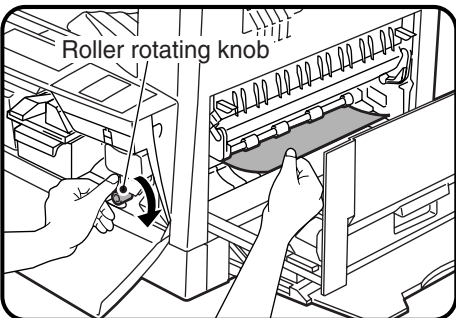
If paper is misfed here, proceed to "A. Misfeed in the paper feed area".



A. Misfeed in the paper feed area



1 Push gently on both sides of the front cover and open it.



2 Carefully remove the misfed paper. Turn the roller rotating knob in the direction of the arrow to assist in removing it.



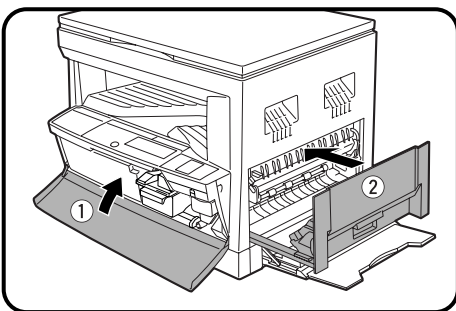
The fusing unit is hot. Take care in removing paper.

Warning



Do not touch the photoconductive drum (green portion) when removing the misfed paper. Doing so may damage the drum and cause smudges on copies.

Caution



3 Close the front cover by pushing both sides with your hands and then close the side cover by pressing the handle on the cover.

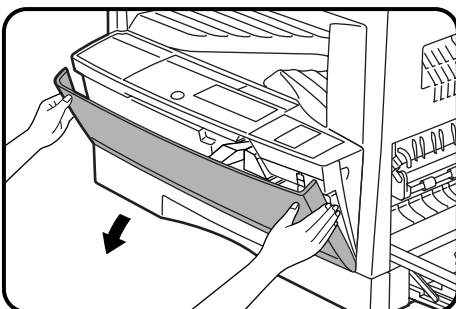
- The misfeed (8V) indicator will go out.



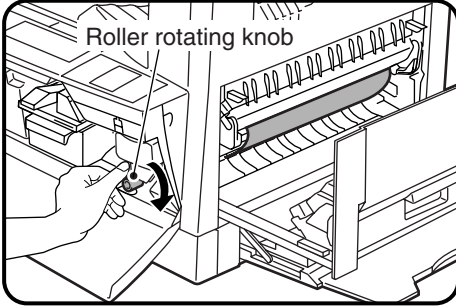
When closing the covers, be sure to close the front cover securely and then close the side cover. If the covers are closed in the wrong order, the covers may be damaged.

Caution

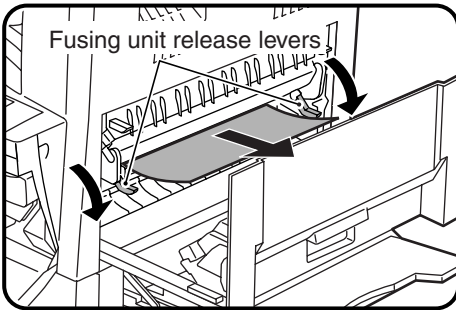
B. Misfeed in the fusing area



1 Push gently on both sides of the front cover and open it.



2 Turn the roller rotating knob in the direction of the arrow.



3 Carefully remove the misfed paper. Lower the fusing unit release levers to allow easier removal. Return the release levers to their operating positions.

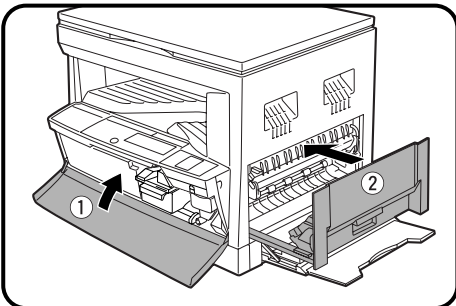


Warning The fusing unit is hot. Take care in removing paper.



Caution

- Do not touch the photoconductive drum (green portion) when removing the misfed paper. Doing so may damage the drum and cause smudges on copies.
- Be careful about unfixed toner on the misfed paper not to soil your hands or clothes.



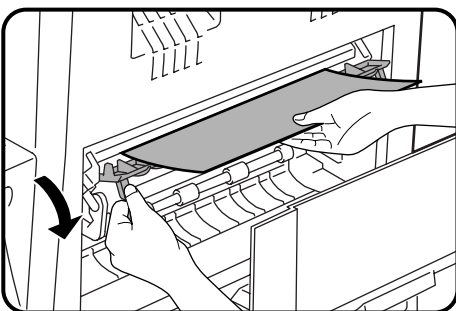
4 Close the front cover by pushing both sides with your hands and then close the side cover by pressing the handle on the cover.

- The misfeed (8V) indicator will go out.



Caution

When closing the covers, be sure to close the front cover securely and then close the side cover. If the covers are closed in the wrong order, the covers may be damaged.

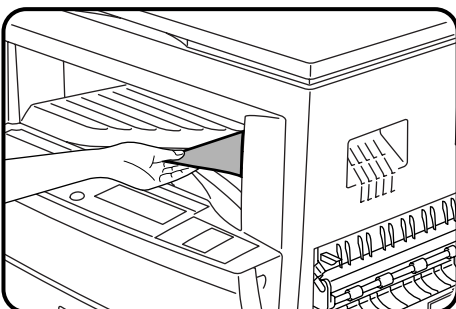


C. Misfed in the transport area

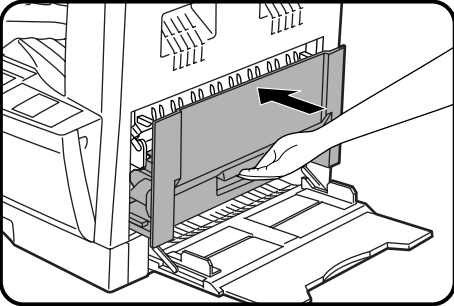
1 Open the paper guide by pressing down the projection on either side of the guide and remove the misfed paper.



Warning The fusing unit is hot. Take care in removing paper.

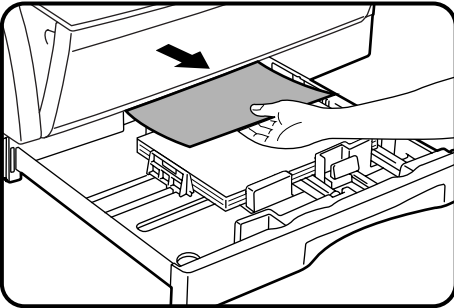


2 If the misfed paper cannot be removed by the previous step but is visible in the paper output area, remove the paper by pulling it into the paper output area.



3 Close the side cover by pressing the handle on the cover.

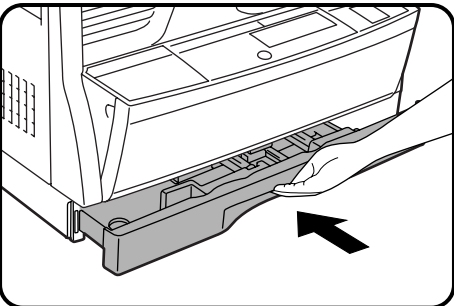
- The misfeed (8V) indicator will go out.



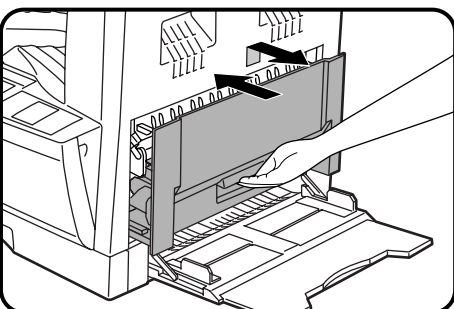
Misfeed in the paper tray

Before opening the paper tray, be sure to open the bypass tray, lift slightly on the side cover and slide the cover out until it stops, and then perform steps 1 to 3 described in the “A. Misfeed in the paper feed area” section.

1 Gently lift and pull out the paper tray and remove the misfed paper.



2 Close the paper tray.



3 Lift slightly on the side cover and slide the cover out until it stops. Close the side cover by pressing the handle on the cover.

- The misfeed (8V) indicator will go out.



DEVELOPER REQUIRED

When the ☀ indicator lights up, the developer should be replaced. DEVELOPER REPLACEMENT SHOULD ONLY BE DONE BY AN AUTHORIZED SHARP SERVICE TECHNICIAN. Contact your service center as soon as possible.

STATUS
INDICATORS

☀ Developer required / 🧑 Maintenance required



MAINTENANCE REQUIRED

When the 🧑 indicator lights up, service by an authorized SHARP service technician is required. Contact your service center as soon as possible.

USER PROGRAMS

The user programs allow the parameters of certain functions to be set, changed, or canceled as desired.

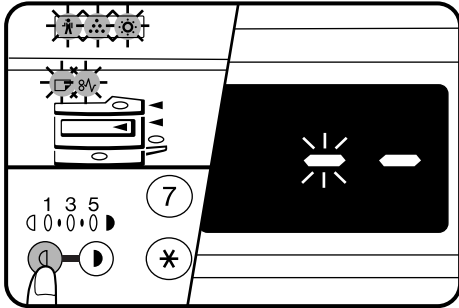
List of user programs

This copier has the following user programs.

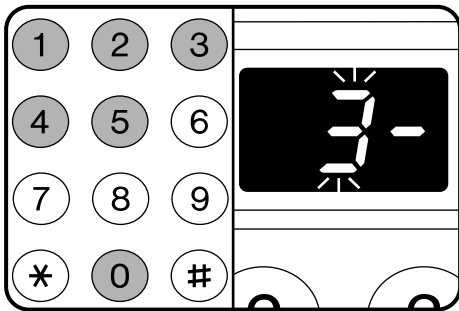
Program No.	Program name	Description
1	Auto clear time	Sets the auto clear time. The copier returns to the initial settings when the auto clear time elapses after the last copy is made.
2	Preheat mode	Sets the time that elapses before the copier enters the preheat mode after any operation is made. See page 42.
3	Auto power shut-off timer	Sets the time that elapses before the copier enters the auto power shut-off mode after any operation is made. See page 42.
4	Stream feeding mode*	Enables or disables the stream feeding mode when an optional SPF is installed. See page 55.
5	Auto power shut-off setting	Enables or disables the auto power shut-off mode. See page 42.
10	Auditing mode	Enables or disables the auditing mode, which controls access to copier. See page 13.
11	Account number entry	Registers accounts for auditing mode.
12	Account number change	Changes account numbers for auditing mode.
13	Account number deletion	Deletes accounts for auditing mode.
14	Number of copies per account	Displays the total number of copies made against account numbers.
15	Resetting account	Resets all audit accounts or resets any desired individual account.

* This program does not affect the copier functions unless certain optional equipment is installed.

Setting the user programs



- 1 Press and hold the light (Ⓢ) key for more than 5 seconds until all the alarm indicators (⚠, ⚡, ⚙, ☐, and ⚡) blink and “--” appears in the copy quantity display.**

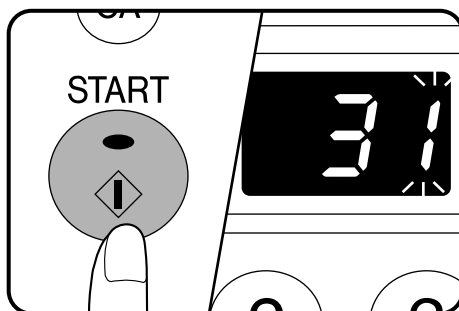


- 2 Enter a program number using the numeric keys.**
 - The selected program number will blink in the copy quantity display.
 - If a mistake is made in steps 2 to 4, press the CLEAR (Ⓢ) key. The copier will return to step 2.
 - The program numbers are shown in the table below.

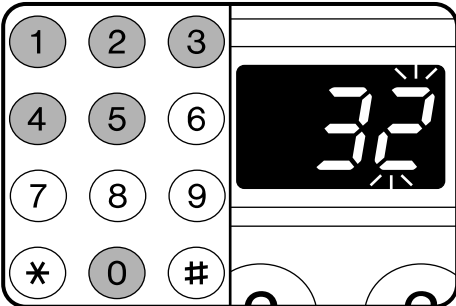
For example, to change the setting of the auto power shut-off timer, press key 3.

Program name	Program No.
Auto clear time	1
Preheat mode	2
Auto power shut-off timer	3
Stream feeding mode	4
Auto power shut-off setting	5
Auditing mode	10
Account number entry	11
Account number change	12
Account number deletion	13
Number of copies per account	14
Resetting account	15

For operation of these programs after step 3, see page 38.



- 3 Press the START key.**
 - For programs 1 to 5, the entered program number will be steadily lit on the left side of the copy quantity display and the currently selected parameter number for the program will blink on the right side.
 - For programs 10 to 15 (programs for auditing accounts), the display varies with the program number. See page 38 for setting programs 10 to 15.



4 Select the desired parameter using the numeric keys.

- The entered parameter number will blink on the right side of the copy quantity display.
- The parameters are shown in the table below.

For example, to change the setting of the auto power shut-off timer to 60 min., press key 2.

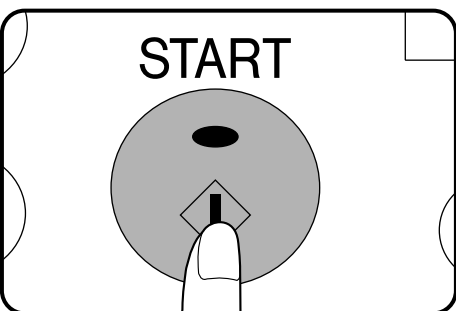
Program name	Parameters
Auto clear time	0 ⇨ OFF 1 ⇨ 30 sec. * 2 ⇨ 60 sec. 3 ⇨ 90 sec. 4 ⇨ 120 sec. 5 ⇨ 10 sec.
Preheat mode	0 ⇨ OFF 1 ⇨ 30 sec. 2 ⇨ 60 sec. * 3 ⇨ 90 sec. 4 ⇨ 120 sec.
Auto power shut-off timer	* 1 ⇨ 30 min. 2 ⇨ 60 min. 3 ⇨ 90 min. 4 ⇨ 120 min. 5 ⇨ 240 min.
Stream feeding mode	* 0 ⇨ OFF 1 ⇨ ON
Auto power shut-off setting	0 ⇨ OFF * 1 ⇨ ON

Factory default settings are indicated with an asterisk (*).



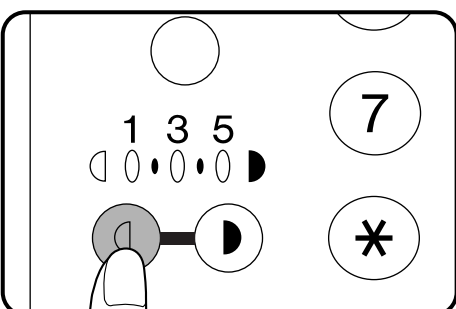
Note

If you select "0" (OFF) in a program, the corresponding function will be disabled.



5 Press the START key.

- The right-hand number in the copy quantity display will be steadily lit and the entered value will be stored.



6 To continue with other user programs, press the key and then repeat steps 2 to 5. To exit the user program mode, press the light (Ⓞ) key.

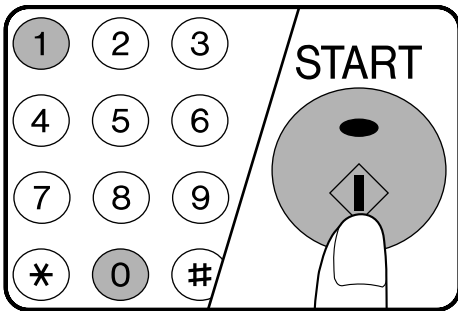
- All the alarm indicators will go out.

Settings for auditing accounts

Setting of user programs No. 10 to 15 varies with the program number. For settings of all programs, first follow steps 1 to 3 in “Setting the user programs” on page 36 to select a program. (1. Press the light (Ⓞ) key for more than 5 seconds. 2. Enter a program number (10 to 15) using the numeric keys. 3. Press the START key.) Then follow the appropriate instructions for the program.

Program No. 10: Auditing mode

If the auditing mode is enabled, copying is limited to operators with an assigned 3-digit account number. A maximum of 20, 3-digit account numbers can be assigned. Use program No. 11 to register account numbers. When program No. 10 is entered, the current setting (0: OFF, 1:ON) will blink on the right side of the copy quantity display.

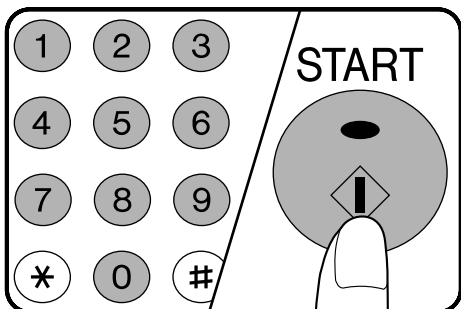


1. **Select the desired setting using the numeric keys.**
 - 0: OFF
 - 1: ON
2. **Press the START key.**
 - The setting will be stored.
3. **To continue with other user programs, press the (Ⓞ) key and enter another program number. To exit the user program mode, press the light (Ⓞ) key.**

Program No. 11: Account number entry

Program No. 11 is used to register accounts. When program No. 11 is entered, “---” will blink in the copy quantity display.

- If the number of accounts has reached the upper limit (20), “11E” will appear in the copy quantity display. Press the (Ⓞ) key. The copier will return to step 2 on page 36.

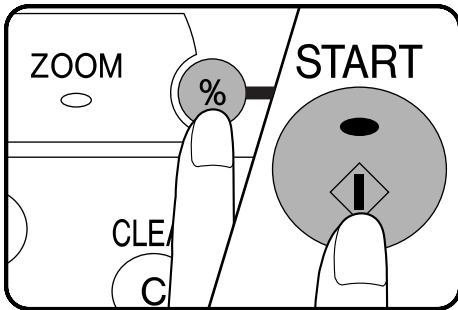


1. **Enter a 3-digit account number using the numeric keys.**
 - Any 3-digit number except “000” can be registered as an account number.
2. **Press the START key.**
 - If a number that is already registered or “000” is entered, the number will blink in the copy quantity display.
3. **Repeat steps 1 and 2 for other account numbers.**
4. **To continue with other user programs, press the (Ⓞ) key and enter another program number. To exit the user program mode, press the light (Ⓞ) key.**

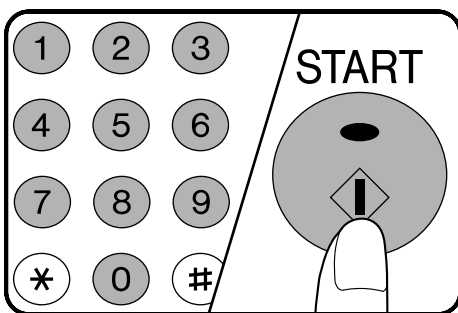
Program No. 12: Account number change

Program No. 12 is used to change account numbers. When program No. 12 is entered, an account number will appear in the copy quantity display.

- If no account number has been registered, “12E” will appear in the copy quantity display. Press the C key. The copier will return to step 2 on page 36.



1. Use the copy ratio display (\%) key to select the account number to be changed.
 - Use the \% key to advance through the account numbers.



2. Press the START key.
 - The account number will be erased and “---” will blink in the copy quantity display.

3. Enter a new account number using the numeric keys.

4. Press the START key.

- If a number that is already registered or “000” is entered, the number will blink in the copy quantity display.

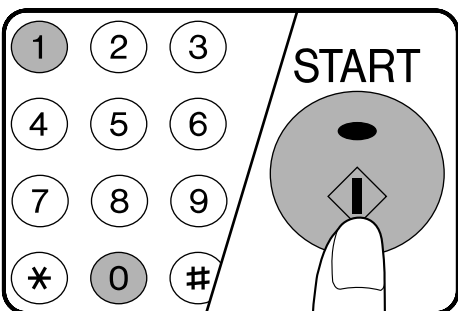
5. Repeat steps 1 to 4 for other account numbers.

6. To continue with other user programs, press the C key and enter another program number. To exit the user program mode, press the light ($\text{\textcircled{1}}$) key.

Program No. 13: Account number deletion

Program No. 13 is used to delete accounts. When program No. 13 is entered, “0” will blink on the right side of the copy quantity display.

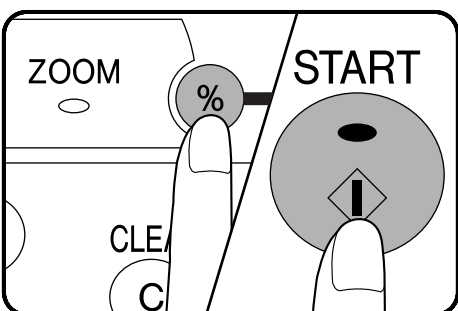
- If no account number has been registered, “13E” will appear in the copy quantity display. Press the C key. The copier will return to step 2 on page 36.



1. To delete an individual account, press the 0 key. To delete all accounts, press key 1.

2. Press the START key.

- If you have pressed the 0 key in step 1, an account number will appear in the copy quantity display. Proceed to step 3.
- If you have pressed key 1, all account numbers will be deleted. Proceed to step 5.



3. Use the copy ratio display (\%) key to select the account number to be deleted.

- Use the \% key to advance through the account numbers.

4. Press the START key.

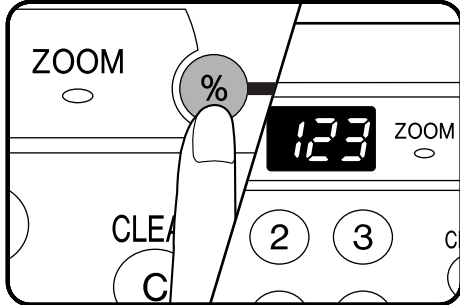
- The specified account will be deleted.

5. To continue with other user programs, enter another program number. To exit the user program mode, press the light ($\text{\textcircled{1}}$) key.

Program No. 14: Number of copies per account

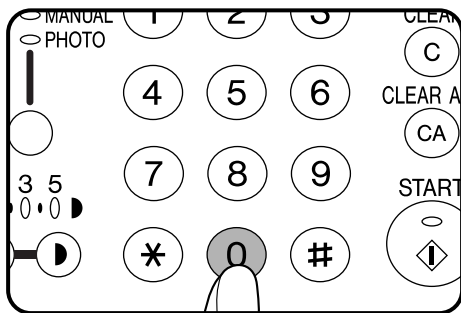
Program No. 14 is used to display the total number of copies made against each account number. When program No. 14 is entered, an account number will appear in the copy quantity display.

- If no account number has been registered, “14E” will appear in the copy quantity display. Press the (C) key. The copier will return to step 2 on page 36.



- 1. Use the copy ratio display (%) key to select the account number.**

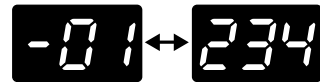
- Use the (%) key to advance through the account numbers.



- 2. Press and hold down the 0 key.**

- The number of copies made against the specified account number will be displayed. The two higher digits and the three lower digits will appear alternately while the 0 key is pressed.

Example: 1,234 copies



- The upper limit for the number of copies is 49,999. If the number of copies made reaches 50,000, the number will be reset to 0 and counting will start again from 0.

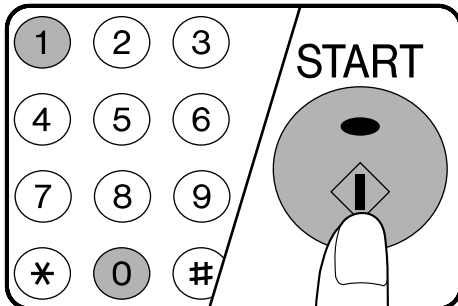
- 3. Repeat steps 1 and 2 for other account numbers.**

- 4. To continue with other user programs, press the (C) key and select another program number. To exit the user program mode, press the light (Q) key.**

Program No. 15: Resetting account

Program No. 15 is used to reset all accounts or to reset any desired individual account. When program No. 15 is entered, “0” will blink on the right side of the copy quantity display.

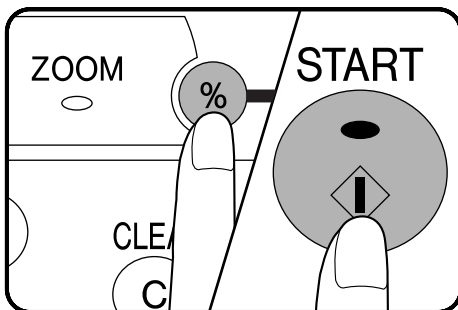
- If no account number has been registered, “15E” will appear in the copy quantity display. Press the $\text{\textcircled{c}}$ key. The copier will return to step 2 on page 36.



1. To reset an individual account, press the 0 key. To reset all accounts, press key 1.

2. Press the START key.

- If you have pressed the 0 key in step 1, an account number will appear in the copy quantity display. Proceed to step 3.
- If you have pressed key 1, the number of copies against all account numbers will be reset. Proceed to step 5.



3. Use the copy ratio display ($\text{\textcircled{\%}}$) key to select the account number to be reset.

- Use the $\text{\textcircled{\%}}$ key to advance through the account numbers.

4. Press the START key.

- The number of copies against the specified account number will be reset.

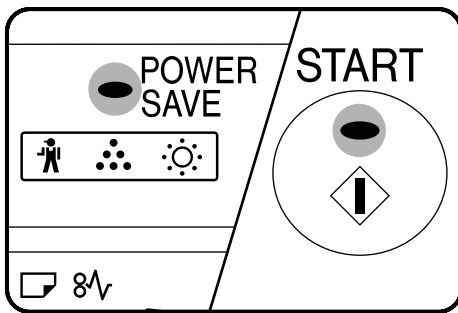
5. To continue with other user programs, enter another program number. To exit the user program mode, press the light ($\text{\textcircled{1}}$) key.

POWER SAVE MODES

The copier has two power save modes to reduce overall power consumption thereby reduce the cost of operation. In addition, these modes conserve natural resources and help reduce environmental pollution. The two power save modes are preheat mode and auto power shut-off mode.

- User programs

The preheat activation time and the auto power shut-off time have been preset at the factory to 90 sec. for preheat mode and 30 min. for auto power shut-off mode. These times can be changed using user programs. It is suggested that you set appropriate times according to the actual usage of the copier. See page 35.



Preheat mode

When the copier enters the preheat mode, the POWER SAVE indicator will light up and other indicators will remain on or off as before. In this condition, the fuser in the copier is maintained at a lower heat level, thereby saving power. The preheat level is, however, high enough to allow the copier to come to a ready condition or begin copying within 10 seconds after any key input or copier operation such as paper tray operation is performed.

Auto power shut-off mode

If the auto power shut-off mode is enabled, the copier will automatically turn off the power once a programmed length of time has elapsed without any copier operation after the last copy of a run is made or the power is first turned on. The power switch will automatically be turned to the "OFF" position. To turn the power back on, simply turn the power switch to the "ON" position.

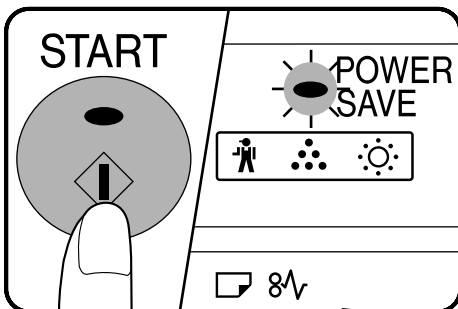


As an ENERGY STAR® Partner, SHARP has determined that this product meets the ENERGY STAR® guidelines for energy efficiency.

Setting the power save modes

The time that elapses before the copier enters a power save mode after any operation is made can be set manually. This time is set with user program No. 2 for the preheat mode and user program No. 3 for the auto power shut-off mode. For these settings, see page 36.

- The copier will enter the preheat mode first and then the auto power shut-off mode after a preset time has elapsed when no copier operation has been made.
- If conflicting settings are made with user programs No. 3 and No.5, the last program set will have priority.



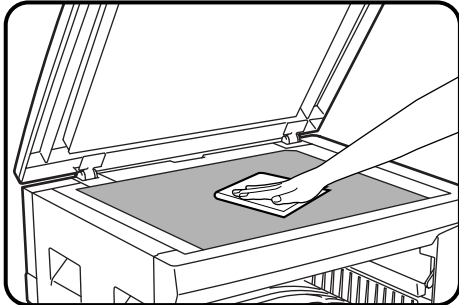
Copying from the preheat mode

Make desired copier selections and press the START key using the normal copying procedure.

- When any key input is made or any other copier operation is made, the POWER SAVE indicator will start to blink.
- When the START key is pressed, the START key indicator will go out and copying will start within 10 seconds. The POWER SAVE indicator will go out when copying starts.

USER MAINTENANCE

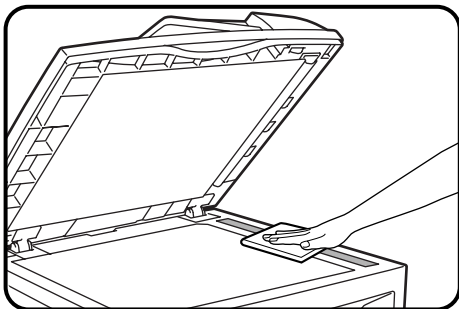
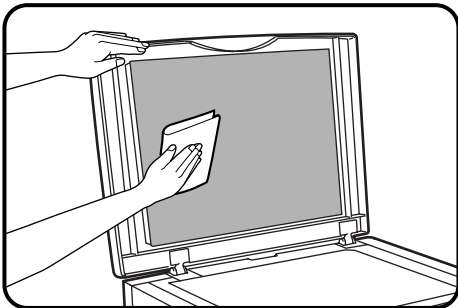
Proper care is essential for clean, sharp copies. Please take a few minutes to regularly clean your copier.



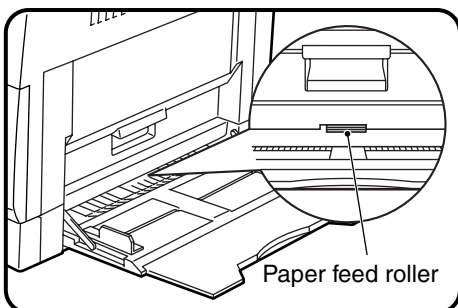
Original table and platen cover

Stains or dirt on the original table or platen cover will also be copied. Wipe the original table and platen cover with a soft, clean cloth.

- If necessary, dampen the cloth with water. Do not use thinner, benzene, or similar volatile cleaning agents.



- If an optional SPF is installed, wipe the scanning window on the original table.

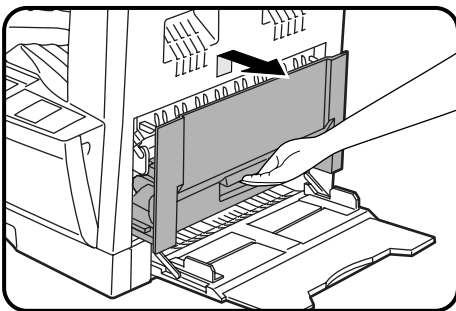


Bypass tray paper feed roller

If misfeeds occur frequently when feeding postcards, envelopes, thick paper, etc. through the bypass tray, wipe the blue paper feed roller at the feed slot of the bypass tray with a soft, clean cloth dampened with alcohol or water.

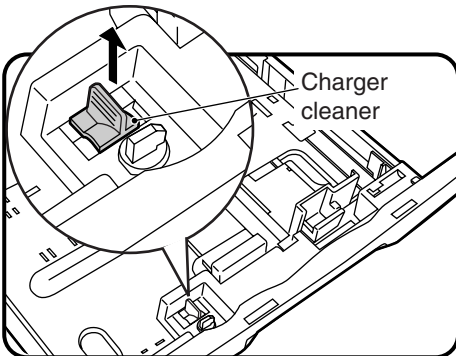
Transfer charger cleaning

If copies start becoming streaky or blotchy, the transfer charger may be dirty. Clean the charger using the following procedure.

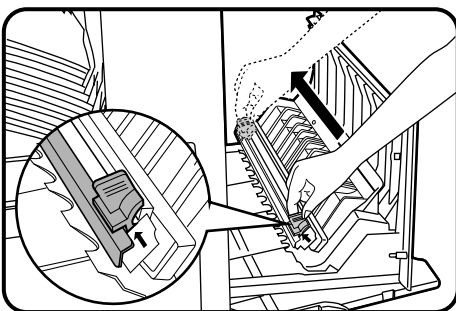


1 Turn the power switch off.

2 Open the bypass tray. Lift slightly on the side cover and slide the cover out until it stops.



3 Gently lift and pull out the paper tray and take the charger cleaner out by holding the tab.



4 Set the charger cleaner onto the transfer charger and gently slide the cleaner in the direction indicated by the arrow two or three times.



Caution

Slide the charger cleaner from one end to the other end along the groove of the transfer charger. If the cleaner is stopped on the way, smudges on copies may occur.





- If the white sheet metal is smudged with toner, wipe it with a soft, clean cloth.


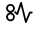
5 Return the charger cleaner to its original position. Close the paper tray. Close the side cover by pressing the handle on the cover.

6 Turn the power switch on.

COPIER TROUBLE?

Problem	Solution	
Copier does not operate.	<ul style="list-style-type: none"> ● Copier plugged in? 	Plug the copier into a grounded outlet. See page 8.
	<ul style="list-style-type: none"> ● Power switch ON? 	Turn the power switch ON. See page 14.
Copies are too dark or too light.	<ul style="list-style-type: none"> ● Copy density properly adjusted? 	See pages 14 and 26.
Blank copies	<ul style="list-style-type: none"> ● Is the original placed face down? 	Place the original face down on the original table.
Copies smear if rubbed.	<ul style="list-style-type: none"> ● Paper too heavy? 	Use copy paper within the specified range. See page 49.
	<ul style="list-style-type: none"> ● Paper damp? 	Replace with dry copy paper. Be sure to store copy paper in a dry location. See page 50.
Striped copies	<ul style="list-style-type: none"> ● Is transfer charger clean? 	Clean the transfer charger. See page 45.
Paper misfeeds frequently.	<ul style="list-style-type: none"> ● Non-standard paper used? 	Use standard paper. If using special paper, feed the paper through the bypass tray. See pages 18 and 49.
	<ul style="list-style-type: none"> ● Paper properly installed? 	Make sure the paper is properly installed. See pages 10 and 18.
	<ul style="list-style-type: none"> ● Pieces of paper inside copier? 	Remove all pieces of misfed paper. See page 30.
	<ul style="list-style-type: none"> ● Paper curled or damp? 	Store copy paper flat in the wrapper in a dry location. See page 50.

Problem	Solution	
Copies are smudged or dirty.	<ul style="list-style-type: none"> ● Original table or platen cover dirty? 	Clean regularly. See page 44.
	<ul style="list-style-type: none"> ● Original smudged or blotchy? 	Use a clean original.
	<ul style="list-style-type: none"> ● Is the  indicator on? 	Developer is required. Contact your SHARP service center as soon as possible. See page 34.
	<ul style="list-style-type: none"> ● Is the  indicator on? 	Maintenance is required. Contact your SHARP service center as soon as possible. See page 34.
Paper size for a paper tray cannot be set.	<ul style="list-style-type: none"> ● Is copying being performed? 	Set the paper size after copying is complete.
Power is on but copying is not possible.	<ul style="list-style-type: none"> ● Is the POWER SAVE indicator blinking? 	Wait until warm-up is complete. Warm-up time is approximately 35 seconds.
	<ul style="list-style-type: none"> ● Is  steadily lit in the copy quantity display? 	The copier is in the auditing mode. Enter your account number using the numeric keys. See page 13.
	<ul style="list-style-type: none"> ● Is the  indicator on? 	Copy paper is needed. See page 10, LOADING COPY PAPER.

Problem	Solution	
Power is on but copying is not possible.	<ul style="list-style-type: none"> Is EH blinking in the copy quantity display? 	A toner cartridge is not installed. Install a toner cartridge. If "CH" is blinking even if a cartridge is installed properly, contact your SHARP service center immediately.
	<ul style="list-style-type: none"> Is EH steadily lit in the copy quantity display? 	The side cover is open. Close the front and side covers securely.
	<ul style="list-style-type: none"> Is the  indicator blinking? 	The toner cartridge must be replaced. See page 28, TONER CARTRIDGE REPLACEMENT.
	<ul style="list-style-type: none"> Is the  indicator blinking? 	A misfeed has occurred. See page 30, MISFEED REMOVAL.
Lighting fixture flickers.	<ul style="list-style-type: none"> Is the same power outlet used for the lighting fixture and the copier? 	Connect the copier to a power outlet which is not used for other electric appliances.



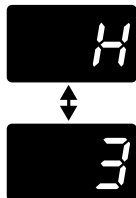
Caution

Be sure to use only genuine SHARP parts and supplies.

Please contact your SHARP service center immediately if a problem persists after checking the above.

Self-diagnostic function

An automatic self-diagnostic function is built into the copier. Should the copier malfunction, the self-diagnostic function will locate the problem and stop the copier to prevent damage. An alphanumeric code will appear in the copy quantity display.



Example

Should the copier completely stop and a letter and a number appear alternately, contact your SHARP service center immediately.

SUPPLIES

Types and sizes of copy paper

	Size	Weight	Capacity (21 lb. bond paper)	Special paper
Paper tray	5-1/2" x 8-1/2" to 11" x 17"	15 lbs. to 21 lbs.	250 sheets	
Bypass tray	Ordinary paper: 5-1/2" x 8-1/2" to 11" x 17" Envelopes: Commercial 10 (4-1/8" x 9-1/2") International DL (110 x 220 mm) International C5 (162 x 229 mm)	15 lbs. to 34 lbs.* (Ordinary paper)	100 sheets	Transparency film, labels, envelopes**

- * For paper weighing from 28 to 34 lbs., 8-1/2" x 11" is the maximum size that can be fed through the bypass tray.
- ** Do not use envelopes that have metal clasps, plastic snappers, string closures, windows, linings, self-adhesive patches or synthetic materials. These will cause physical damage to the copier.
- For best results, use only paper recommended by SHARP.
- Special papers except envelopes must be fed one sheet at a time through the bypass tray. Up to 10 envelopes can be set at one time.

Genuine supplies statement

Standard supplies for this copier that are to be replaced by the user are copy paper and toner cartridge.

For best copying results, be sure to use only SHARP Genuine Supplies which are designed, engineered and tested to maximize the life and performance of SHARP copiers. Look for the Genuine Supplies label on the toner package.



Proper storage

- 1. Store the supplies in a location that is:**
 - clean and dry,
 - at a stable temperature,
 - not exposed to direct sunlight.
- 2. Store copy paper in the wrapper and lying flat.**
 - Paper stored out of the wrapper or in packages standing on end may curl or get damp, resulting in paper misfeeds.

SPECIFICATIONS

Type	Desktop
Copy system	Dry, electrostatic transfer
Originals	Sheets, bound documents
Original sizes	Max. 11" x 17"
Copy sizes	Max. 11" x 17" Min. 5-1/2" x 8-1/2" Image loss: Max. 5/32" (4 mm) (leading and trailing edges) Max. 5/32" (4 mm) (along other edges in total)
Copying speed (at 100% copy ratio)	16 copies/min. (8-1/2" x 11") 12 copies/min. (8-1/2" x 11"R) 10 copies/min. (8-1/2" x 14") 9 copies/min. (11" x 17")
Continuous copy	Max. 99 copies; subtractive counter
First-copy time	7.2 s (except in a power save mode)
Warm-up time	Approx. 35 s
Copy ratio	Variable: 50% to 200%, in 1% increments (total 151 steps) Fixed preset: 50%, 64%, 77%, 95%, 100%, 121%, 129%, 141%, 200%
Exposure system	Moving optical source, slit exposure (stationary platen) with automatic exposure function
Copy paper feed	One paper tray with automatic feed (250 sheets), one bypass tray with automatic feed (100 sheets)
Fusing system	Heat rollers
Developer system	Magnetic brush development
Light source	Xenon lamp
Resolution	Scan: 400 dpi Output: 600 dpi
Gradation	Scan: 256 levels Output: 2 levels
Power supply	AC 120V, 60 Hz, 11 amperes
Power consumption	Max. 1.3 kW

SPECIFICATIONS

Overall dimensions (with bypass tray folded)	23-15/64" (W) x 20-29/32" (D) (590 mm (W) x 531 mm (D))
Weight	Approx. 70.6 lbs. (32 kg) Toner cartridge included
Copier dimensions	23-15/64" (W) x 20-29/32" (D) x 18-33/64" (H) (590 mm (W) x 531 mm (D) x 470 mm (H))
Operating conditions	Temperature: 59°F to 86°F (15°C to 30°C) Humidity: 20% to 85%
Acoustic noise emission (measurement according to ISO 7779)	Sound power level LWA Operating: 6.1 [B], Standby: 3.2 [B] Sound pressure level LPA (Bystander positions) Operating: 47 [dB (A)], Standby: 17 [dB (A)] Sound pressure level LPA (Operator positions) Operating: 50 [dB (A)], Standby: 18 [dB (A)]
Emission concentration (measurement according to RAL-UZ 62)	Ozone: less than 0.02 mg/m ³ Dust: less than 0.075 mg/m ³ Styrene: less than 0.07 mg/m ³
Optional equipment	Single pass feeder (AR-SP2)

First-copy time may differ depending on operating conditions, such as power-supply voltage and room temperature.



Note

As a part of our policy of continuous improvement, SHARP reserves the right to make design and specification changes for product improvement without prior notice. The performance specification figures indicated are nominal values of production units. There may be some deviations from these values in individual units.

OPTIONAL EQUIPMENT

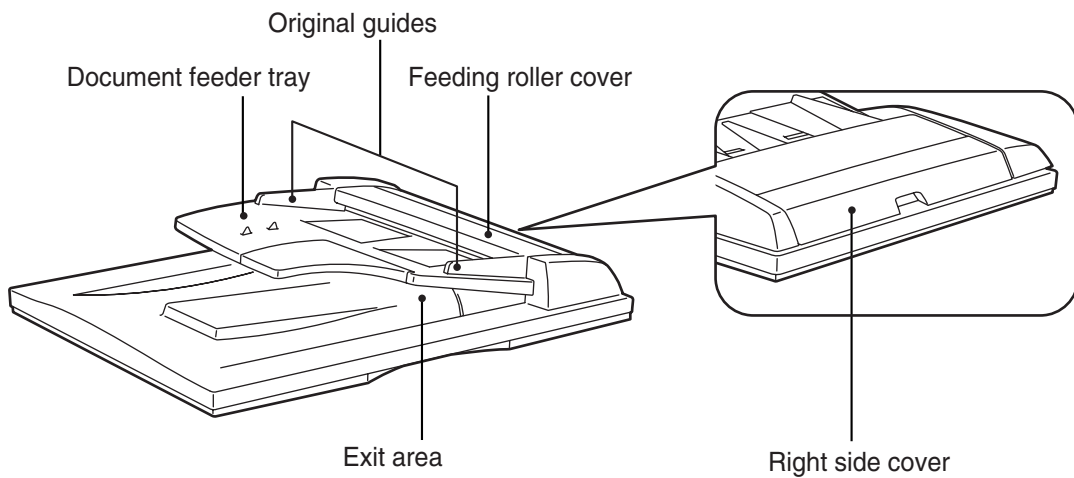
CONTENTS

	Page
● SINGLE PASS FEEDER (AR-SP2)	54
● Part names	54
● Specifications	54
● Using the SPF	55
● Misfeed removal	56

SINGLE PASS FEEDER (AR-SP2)

The single pass feeder (SPF) holds up to 30 originals for automatic feeding.

PART NAMES



Specifications

Acceptable originals	Weight: 15 to 24 lbs. Size: 5-1/2" x 8-1/2" to 11" x 17" Capacity: Up to 30 sheets provided the total aggregate thickness does not exceed 5/32"
Detectable original sizes	5-1/2" x 8-1/2", 8-1/2" x 11", 8-1/2" x 11"R, 8-1/2" x 14", 11" x 17"
Power supply	Drawn from the copier
Weight	Approx. 11.7 lbs. (5.3 kg)
Dimensions	22-61/64" (W) x 17-1/8" (D) x 5-5/32" (H) (583 mm (W) x 435 mm (D) x 131 mm (H))



Note

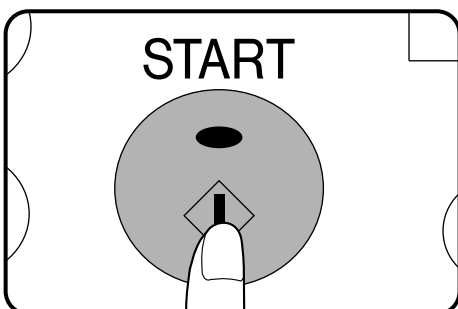
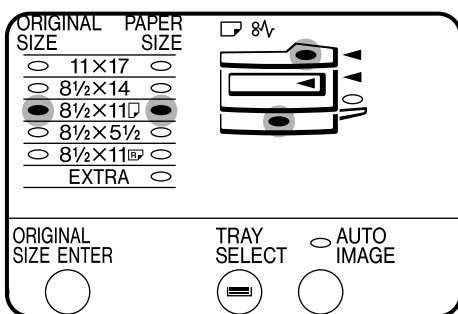
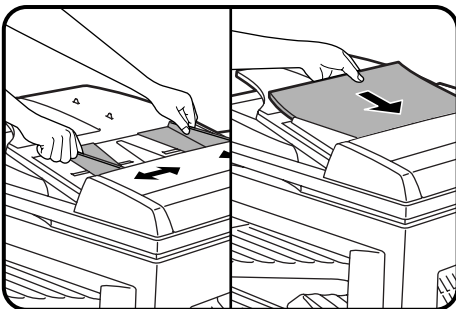
As a part of our policy of continuous improvement, SHARP reserves the right to make design and specification changes for product improvement without prior notice. The performance specification figures indicated are nominal values of production units. There may be some deviations from these values in individual units.

Using the SPF

- Be sure to remove any staples or paper clips from the originals.
- Damaged or crumpled originals may misfeed in the SPF. It is recommended that these originals be copied from the original table.
- Before placing curled or wavy originals into the document feeder tray, be sure to flatten them. If not, original misfeeds may result.
- For best feeding of originals which have binding holes punched into them, insert them so that the holes are positioned to the right or along the side guides.
- Special originals such as transparency film and tracing paper should not be fed through the SPF but should be copied from the original table.

Stream feeding mode

If the stream feeding mode has been enabled using user program No. 4, the SPF indicator will continue to blink for approximately 5 seconds after feeding of all originals is completed. While this indicator is blinking, any new originals placed in the SPF will be fed and copied automatically. See page 35, USER PROGRAMS.



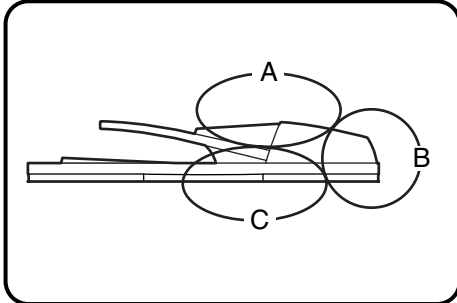
- 1 Ensure that no original is left on the original table.**
- 2 Adjust the original guides to the size of the originals.**
- 3 Set the originals face up in the document feeder tray.**
 - The SPF indicator will light up. If this indicator does not light up, the originals are not properly set or the SPF is not properly closed.
- 4 Ensure that the copy paper size in the paper tray is the same size as the originals.**
- 5 Press the START key.**
 - Since only one copy per original can be made, the number of copies cannot be changed.
 - Press the CLEAR key to stop copying in the middle of a run.



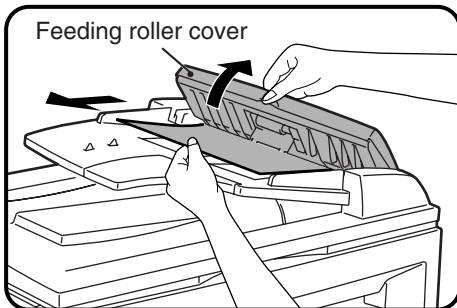
Note

While making copies from the SPF, do not place originals of the next copying job. Place them after all copies of the current job have been output.

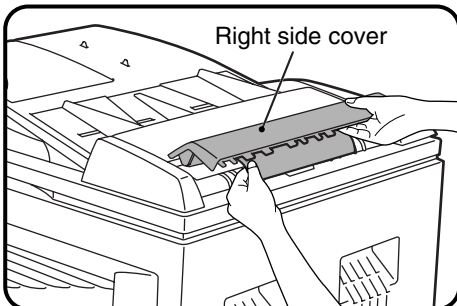
Misfeed removal



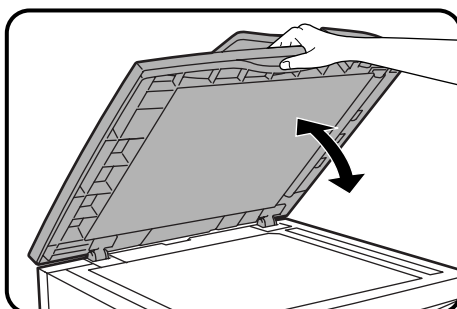
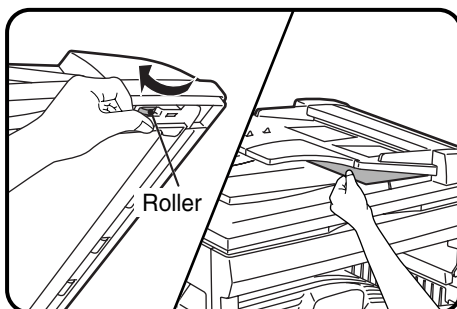
Location A



Location B



Location C



If an original misfeed occurs in the SPF, the copier will stop and the red indicator which indicates an original misfeed will blink.

- 1 Open the feeding roller cover and pull the original gently to the left and out from the document feeder tray. Close the feeding roller cover.

- 2 If the misfed original cannot be removed in step 1, open the right side cover and remove the misfed original. Close the right side cover.

- 3 If the misfed original cannot be removed in steps 1 and 2, remove the misfed original from the exit area. Open the document feeder cover and rotate the roller in the direction indicated by the arrow if needed. If the misfed original cannot be easily removed from the exit area, open the front part of the document feeder tray to remove the original.

- 4 Open and close the document feeder cover to cancel the misfeed location indicator.



Note

After misfed originals are removed, a number may appear in the copy quantity display, indicating the number of originals that must be returned to the document feeder tray. Return the originals and press the START key to resume copying.

INDEX

A

- Auto clear 7, 35
- Automatic exposure adjustment 26
- Auto power shut-off mode 42

B

- B/W reverse 23
- Bypass tray 18

C

- Cautions on handling 9
- Copier trouble? 46
- Copying
 - large original 15
 - normal 14
 - reduction/enlargement 16
 - through bypass tray 18
 - two-sided 20
- Copy paper 10, 49
- Copy quantity 15
- Copy ratio 16

D

- Dark key 15
- Developer replacement required indicator 34
- Dual page copy 24

E

- Enlargement 16
- Exposure adjustment 14

F

- Features 3
- Fixed copy ratio 17
- Fusing unit release levers 32

I

- Initial settings 7
- Interrupt 25

L

- Light key 15, 29, 36
- Loading copy paper 10

M

- Maintenance
 - user maintenance 44
 - maintenance required indicator 34
- Manual exposure 15
- Manual feeding 18
- Misfeed removal
 - bypass tray 30
 - in the copier 30
 - paper tray 33
 - SPF 56

N

- Names
 - operation panel 6
 - part 4

O

- Operation panel 6
- Options 54
- Original table 4

P

- Paper
 - loading 10
 - special 18
 - specifications 49
- Paper output tray 4
- Paper size 49
- Paper tray 10
- Part names 4
- Photo mode 15
- Platen cover 4
- Power on 14
- Power save modes 42
- Power switch 14
- Preheat mode 42

R

- Reduction 16
- Replacement
 - toner cartridge 28

S

- Single pass feeder (SPF) 54
- Special paper 18
- Specifications
 - copier 51
 - paper 49
- SPF 54
- Status indicators 28
- Storage of supply 50
- Stream feeding mode 55

T

- Toner cartridge life 29
- Toner cartridge replacement 28
- Toner save mode 27
- Total output count 6
- Troubleshooting 46
- Two-sided copying 20

U

- User maintenance
 - bypass tray paper feed roller 44
 - original table 44
 - platen cover 44
 - transfer charger 45
- User programs 35

X

- XY zoom 21

Z

- Zoom 17

MATERIAL SAFETY DATA SHEET

MSDS No. F-00991

Section 1. Product Identification**Product:**

AR-201NT/T/FT/ST (Black Toner)

Section 2. Supplier's Name and Address

Sharp Corporation

22-22 Nagaike-cho, Abeno-ku, Osaka, Japan

Local suppliers are listed below. Please contact the nearest supplier for additional information.

(Country)	(Name and Telephone Number)
U.S.A.	Sharp Electronics Corporation Telephone number for information: 1-800-237-4277 Emergency telephone number: 1-800-255-3924
Canada	Sharp Electronics of Canada Ltd. Telephone number for information: 905-890-2100 Emergency telephone number: 1-800-255-3924
United Kingdom	Sharp Electronics (U.K.) Ltd. Telephone number for information: 01923-474013

Section 3. Ingredients

Ingredients	CAS No.	Proportion	OSHA PEL	ACGIH TLV	Other Limits
Styrene-Acrylate copolymer	29497-14-1	> 88 %	Not listed	Not listed	None
Carbon black	1333-86-4	< 6.0%	3.5mg/m ³	3.5mg/m ³	None
Iron oxide	1309-38-2	< 4.5%	Not listed	Not listed	None
Metal Complex dye	{ 109125-51-1 109125-50-0 84179-66-8	< 1.5%	0.5mg/m ³	0.5mg/m ³	None

Section 4. Hazardous Identification (Emergency Overview)

Toner is a fine, black powder possessing no immediate hazard. There are no anticipated carcinogenic effects from exposure based on animal tests performed using toner. When used as intended according to instructions, studies do not indicate any symptoms of fibrosis will occur.

Section 5. Health Hazard Data

Route(s) of Entry:	Inhalation?	Skin?	Ingestion?
	Yes	No	Possible but very unusual.
Health Hazards:	Acute oral toxicity ----- LDLo of this toner is over 2,000mg/kg. Mutagenicity ----- The result of Ames test is negative.		
Carcinogenicity:	In 1996 the IARC reevaluated carbon black as a Group 2B carcinogen (possible human carcinogen). This classification is given to chemicals for which there is inadequate human evidence, but sufficient animal evidence on which to base an opinion of carcinogenicity. The classification is based upon the development of lung tumors in rats receiving chronic inhalation exposures to free carbon black at levels that induce particle overload of the lung. Studies performed in animal models other than rats did not show any association between carbon black and lung tumors. Moreover, a two-year cancer bioassay using a typical toner preparation containing carbon black demonstrated no association between toner exposure and tumor development in rats.		
Chronic Effect:	In a study in rats of chronic inhalation exposure to a typical toner, a mild to moderate degree of lung fibrosis was observed in 92% of the rats in the high concentration (16mg/m ³) exposure group, and a minimal to mild degree of fibrosis was noted in 22% of the animals in the middle (4mg/m ³) exposure group, but no pulmonary change was reported in the lowest (1mg/m ³) exposure group, the most relevant level to potential human exposures.		
Signs and Symptoms of Exposure:	Minimal irritation to respiratory tract may occur as with exposure to any non-toxic dust.		
Medical Conditions Generally Aggravated by Exposure:	None		
Emergency and First Aid Procedures:			

Inhalation; Remove to fresh air. If effects occur, consult medical personnel.

Eye; In case of contact, immediately flush eyes with water for 15 minutes.

Section 6. Physical Chemical Characteristics

Boiling / Melting Point:	Not applicable	Specific Gravity:	1.1
Vapor Pressure:	Not applicable	Solubility in Water:	Negligible
Vapor Density:	Not applicable	PH:	Not applicable
Evaporation Rate:	Not applicable	Viscosity:	Not applicable
Appearance:	Fine powder	Color:	Black
Odor:	Odorless		

Section 7. Fire and Explosion Data

Flash Point (Method Used):	Not applicable		
Ignition Temperature:	>350°C		
Flammable Limits:	(LEL); Not applicable	(UEL); Not applicable	
Extinguishing Media:	CO ₂ , dry chemical, foam or water		
Special Fire Fighting Procedure:	None		
Unusual Fire and Explosion Hazard:	This material has no unusual fire or explosion hazards.		
Sensitivity to Mechanical Impact:	None		
Sensitivity to Static Charge:	None		

Section 8. Reactivity Data

Stability:	Stable
Incompatibility (Material to Avoid):	None
Hazardous Decomposition:	CO and NO _x
Hazardous Polymerization:	Will not occur.

Section 9. Precautions for Safe Handling and Use

Personal Protection Information (Respiratory, Eye Protection and Protective Glove):

Use of a dust mask is recommended when handling a large quantity of toner or during long term exposure, as with any non-toxic dust.

Engineering Control / Ventilation:	Not required.
Work / Hygienic Practice:	Inhalation should be minimized as with any non-toxic dust.
Steps to be taken in case of Spill or Leak:	Sweep up or clean up with vacuum cleaner.
Waste Disposal Method:	Waste material may be dumped or incinerated under conditions which meet all federal, state and local environmental regulations.

Section 10. Regulatory Information

NFPA Rating (U.S.A.):	Health = 1	Flammability = 1	Reactivity = 0
WHMIS Legislation (Canada):	This product is not a controlled product.		
Transport Information:	This product is not a hazardous material.		
UN No.:	None allocated.		

Section 11. Other Information

References: IARC (1996) IARC Monographs on the Evaluation of the Carcinogenic Risk of Chemicals to Humans, Vol. 65, Printing Process and Printing inks, Carbon Black and Some Nitro Compounds, Lyon, pp-149-261
H. Muhle, B. Bellmann, O. Creutzenberg, C. Dasenbrock, H. Ernst, R. Kilpper, J. C. MacKenzie, P. Morrow, U. Mohr, S. Takenaka, and R. Mermelstein (1991) Pulmonary Response to Toner upon Chronic Inhalation Exposure in Rats. Fundamental and Applied Toxicology 17, pp. 280-299

MATERIAL SAFETY DATA SHEET

MSDS No. F-30991

Section 1. Product Identification**Product**

AR-201ND/DV/SD (Black Developer)

Section 2. Supplier's Name and Address

Sharp Corporation

22-22 Nagaike-cho, Abeno-ku, Osaka, Japan

Local suppliers are listed below. Please contact the nearest supplier for additional information.

(Country)	(Name and Telephone Number)
U.S.A.	Sharp Electronics Corporation Telephone number for information: 1-800-237-4277 Emergency telephone number: 1-800-255-3924
Canada	Sharp Electronics of Canada Ltd. Telephone number for information: 905-890-2100 Emergency telephone number: 1-800-255-3924
United Kingdom	Sharp Electronics (U.K.) Ltd. Telephone number for information: 01923-474013

Section 3. Ingredients

Ingredients	CAS No.	Proportion	OSHA PEL	ACGIH TLV	Other Limits
Iron powder	7439-89-6	> 92.5%	Not listed	Not listed	None
Styrene-Acrylate copolymer	29497-14-1	< 7.0%	Not listed	Not listed	None
Carbon black	1333-86-4	< 0.5%	3.5mg/m ³	3.5mg/m ³	None

Section 4. Hazardous Identification (Emergency Overview)

Developer is a black powder containing small amounts of toner, and possessing no immediate hazard.

There are no anticipated carcinogenic effects from exposure based on animal tests performed using toner.

Section 5. Health Hazard Data

Route(s) of Entry:	Inhalation?	Skin?	Ingestion?
	No	No	Possible but very unusual.

Health Hazards: Acute oral toxicity ----- LDLo of this toner which is included in this developer is over 2,000mg/kg.

Mutagenicity ----- The toner, which is included in this developer, has been tested on Ames test. The result is negative.

Carcinogenicity: In 1996 the IARC reevaluated carbon black as a Group 2B carcinogen (possible human carcinogen). This classification is given to chemicals for which there is inadequate human evidence, but sufficient animal evidence on which to base an opinion of carcinogenicity. The classification is based upon the development of lung tumors in rats receiving chronic inhalation exposures to free carbon black at levels that induce particle overload of the lung. Studies performed in animal models other than rats did not show any association between carbon black and lung tumors.

While there have been no studies to date using developer, a two-year cancer bioassay using a typical toner preparation containing carbon black (a small amount of toner is included in the developer mixture) demonstrated no association between toner exposure and tumor development in rats.

Signs and Symptoms of Exposure: Minimal irritation to respiratory tract may occur as with exposure to any non-toxic dust.

Medical Conditions Generally Aggravated by Exposure: None

Emergency and First Aid Procedures:

Inhalation; Remove to fresh air. If effects occur, consult medical personnel.

Eye; In case of contact, immediately flush eyes with water for 15 minutes.

Section 6. Physical Chemical Characteristics

Boiling / Melting Point:	Not applicable	Specific Gravity:	about 7.3
Vapor Pressure:	Not applicable	Solubility in Water:	Negligible
Vapor Density:	Not applicable	PH:	Not applicable
Evaporation Rate:	Not applicable	Viscosity:	Not applicable
Appearance:	Fine powder	Color:	Black
Odor:	Odorless		

Section 7. Fire and Explosion Data

Flash Point (Method Used):	Not applicable
Ignition Temperature:	>350°C
Flammable Limits:	(LEL); Not applicable (UEL); Not applicable
Extinguishing Media:	CO ₂ , dry chemical, foam or water
Special Fire Fighting Procedure:	None
Unusual Fire and Explosion Hazard:	This material has no unusual fire or explosion hazards.
Sensitivity to Mechanical Impact:	None
Sensitivity to Static Charge:	None

Section 8. Reactivity Data

Stability:	Stable
Incompatibility (Material to Avoid):	None
Hazardous Decomposition:	CO and NO _x
Hazardous Polymerization:	Will not occur.

Section 9. Precautions for Safe Handling and Use

Personal Protection Information (Respiratory, Eye Protection and Protective Glove):	None required under normal use.
Engineering Control / Ventilation:	Not required.
Work / Hygienic Practice:	Not required.
Steps to be taken in case of Spill or Leak:	Sweep up or clean up with vacuum cleaner.
Waste Disposal Method:	Waste material may be dumped or incinerated under conditions which meet all federal, state and local environmental regulations.

Section 10. Regulatory Information

NFPA Rating (U.S.A.):	Health = 1	Flammability = 1	Reactivity = 0
WHMIS Legislation (Canada):	This product is not a controlled product.		
Transport Information:	This product is not a hazardous material.		
UN No.:	None allocated.		

Section 11. Other Information

References:	IARC (1996) IARC Monographs on the Evaluation of the Carcinogenic Risk of Chemicals to Humans, Vol. 65, Printing Process and Printing inks, Carbon Black and Some Nitro Compounds, Lyon, pp-149-261
	H. Muhle, B. Bellmann, O. Creutzenberg, C. Dasenbrock, H. Ernst, R. Kilpper, J. C. MacKenzie, P. Morrow, U. Mohr, S. Takenaka, and R. Mermelstein (1991) Pulmonary Response to Toner upon Chronic Inhalation Exposure in Rats. Fundamental and Applied Toxicology 17, pp. 280-299

WARNING:

FCC Regulations state that any unauthorized changes or modifications to this equipment not expressly approved by the manufacturer could void the user's authority to operate this equipment.

Note:

This equipment has been tested and found to comply with the limits for a Class A digital device, pursuant to Part 15 of the FCC Rules. These limits are designed to provide reasonable protection against harmful interference when the equipment is operated in a commercial environment. This equipment generates, uses, and can radiate radio frequency energy and, if not installed and used in accordance with the operation manual, may cause harmful interference to radio communications. Operation of this equipment in a residential area is likely to cause harmful interference in which case the user will be required to correct the interference at his own expense.

NOTICE

BE SURE TO ASK YOUR AUTHORIZED SHARP DEALER ABOUT THE WARRANTY THAT YOUR SELLING DEALER EXTENDS TO YOU. In order to assure you, the end-user, of warranty protection, Sharp extends a limited warranty to each of its authorized dealers and, in turn, requires each of its authorized dealers to extend its own warranty to you on terms that are no less favorable than those given to the dealer by Sharp. You should be aware, however, that Sharp does not itself extend any warranties, either express or implied, directly to you, the end-user, and no one is authorized to make any representations or warranties on behalf of Sharp. Specifically, SHARP DOES NOT EXTEND TO YOU, THE END-USER, ANY EXPRESS WARRANTY OR ANY IMPLIED WARRANTY OF MERCHANTABILITY, FITNESS FOR USE OR FITNESS FOR ANY PARTICULAR PURPOSE IN CONNECTION WITH THE HARDWARE, SOFTWARE OR FIRMWARE EMBODIED IN, OR USED IN CONJUNCTION WITH THIS PRODUCT. Sharp is not responsible for any damages or loss, either direct, incidental or consequential, which you, the end-user, may experience as a result of your purchase or use of the hardware, software or firmware embodied in or used in conjunction with this Product. Your sole remedy, in the event that you encounter any difficulties with this Product, is against the authorized dealer from which you purchased the Product.

AR-162S Digital Laser Copier

In the event that this authorized dealer does not honor its warranty commitments, please contact the General Manager, Business Products Group, Sharp Electronics Corporation, Sharp Plaza, Mahwah, NJ 07430-2135, so that Sharp can try to help assure complete satisfaction of all the warranty rights to which you are entitled from the authorized dealer.

SHARP[®]

SHARP ELECTRONICS CORPORATION

Sharp Plaza, Mahwah, New Jersey 07430-2135.

www.sharp-usa.com

SHARP CORPORATION