



Security Label Applier

Operator Manual

Model

SLA-1, SLA-2
SLA-2A
SLA-3

ML-44180
ML-44197
ML-44192



701 S. RIDGE AVENUE
TROY, OHIO 45374
937 332-3000
www.hobartcorp.com

Security Label Applier (SLA)

SAVE THESE INSTRUCTIONS

Note

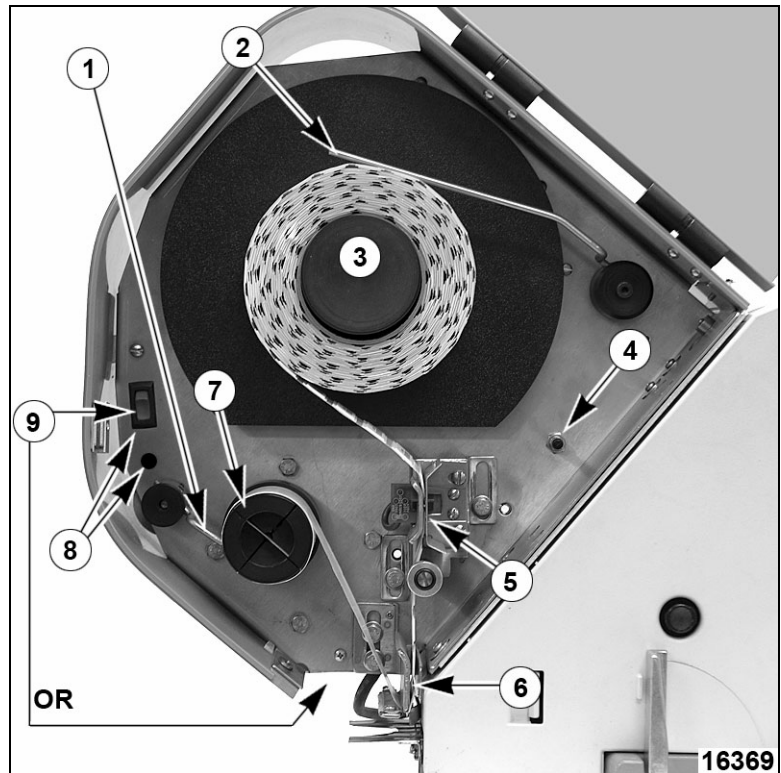
This equipment has been tested and found to comply with the limits for a Class A digital device, pursuant to Part 15 of the FCC Rules. These limits are designed to provide reasonable protection against harmful interference when the equipment is operated in a commercial environment. This equipment generates, uses, and can radiate radio frequency energy and, if not installed and used in accordance with the instruction manual, may cause harmful interference to radio communications. Operation of this equipment in a residential area is likely to cause harmful interference; in which case, the user will be required to correct the interference at his own expense.

CAUTION — Look At This

To provide continued protection against risk of electric shock, connect to properly grounded outlets only.

Security Label Applier

The Security Label Applier (SLA) is designed to apply an Electronic Article Surveillance (EAS) label to a standard Ultima scale label. The SLA works in conjunction with an Ultima (with remote keypad) and an Ultima Wrapping System (UWS), Compact Label Applier (CLA) or Indexing Label Applier (ILA). As a label is printed and expelled from the Ultima Printer, the SLA attaches a security label to the adhesive side of the merchandising label. The UWS, CLA or ILA then places the label on the package. As the label's barcode is scanned, the security label is deactivated by the security provider's (Checkpoint or Sensormatic) equipment and will not be detected by the store security system.

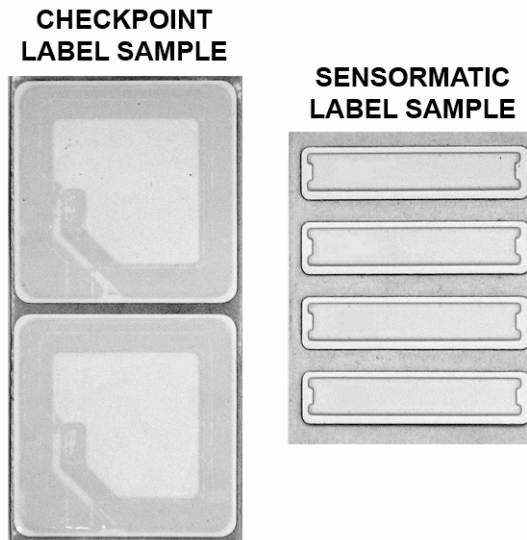


- | | |
|--------------------------|------------------------|
| 1. Dwell arm | 6. Peel bar |
| 2. Tension arm | 7. Take up spool |
| 3. Label hub | 8. Power on indicator |
| 4. Label eject switch | 9. ON/OFF power switch |
| 5. Label sensor assembly | |

Note

If used with an HWS or NSW Semi Automatic System, the security label is automatically placed on the Ultima scale label. The Operator then hand applies the labels to the package.

There are two types of security labels available. Depending on your store security system, you will either use the Checkpoint label (similar in size to the safe handling label) or the Sensormatic label (similar to what is used with audio CDs).



16368

Note

For label ordering information, contact your security system provider.

Powering Up/Powering Down

Power runs to the SLA through a standard 110 VAC electrical connection. Flip the switch located inside the unit or lower front to power up/down.

Setting Up the SLA

The SLA can determine which packages receive a security label by Minimum Unit Price, Minimum Total Price and/or PLU number.

Note

Early model SLA was only configurable for minimum Unit Price.

1. At the Ultima Keypad, PRESS [SUPER MENU ON/OFF]. If applicable, enter your Secret ID. The Supervisor Menu displays.
2. PRESS [F5] to select Scale Setup Menu.

Supervisor		Change product
Memory free	1971 K	Totals Menu
		Print reports menu
		Backup or Restore menu
		Scale setup menu
		Miscellaneous menu
Function code	<input type="text"/>	
Use the menu softkeys or enter the function code		Return to Operate mode 16365

3. PRESS [F3] to select Labels Menu.

Scale setup		Operator ID's
		Speedkeys
		Labels menu
		Scale operation menu
		Scale ID & store information
		Communications menu
		16367

4. PRESS [F6] to select Security Labels.

Labels		Select special fields to print on a label
		Label text names
		Label information
		Label types
		Graphics
		Security labels
		16362

- From the Security Labels screen, enter the minimum Unit Price and/or the minimum Total Price. A security label will be applied to any package with a Unit Price and/or Total Price that is the same as or higher than the amounts entered. If the Unit Price and Total Price are lower than the entered prices, the security label will not be applied.

Security labels	
Enter the minimum Unit Price to apply a Security label\$ 5.99.....
Enter the minimum Total Price to apply a Security label\$ 9.99.....
	16361

- PRESS [ESC] to return to the Start a Run screen.

To set up the SLA to apply a label by PLU:

- At the Ultima Keypad, PRESS [SUPER MENU ON/OFF]. If applicable, enter your Secret ID. The Supervisor Menu displays.
- Use the numeric keypad to enter 10 in the Function code box and PRESS [ENTER].

Supervisor	
Memory free 1971 K	Change product
	Totals Menu
	Print reports menu
	Backup or Restore menu
	Scale setup menu
	Miscellaneous menu
Function code 	
Use the menu softkeys or enter the function code	Return to Operate mode 16365

- Use the numeric keypad to enter PLU number in the Product number and PRESS [ENTER].

Change product		Pg 1 of 4	Change another product
Product number		Do not apply security label
Description			Delete this product
UPC number system0.0		Change discount type
UPC #0.0000		Change another field
By count0		Change text field
Unit price\$ 0.00		
Percent off0.00%		
Tare0.00		
Shelf life0		
Product life0		Next page 16360

- PRESS [F2] to select Apply Security Label.

Change product		Pg 1 of 4	Change another product
Product number1.00		Apply Security label
Description	SANDWICH		Delete this product
UPC number system0.2		Change discount type
UPC #1.2345		Change another field
By count0		Change text field
Unit price\$ 1.99		
Percent off0.00%		
Tare0.00		
Shelf life0		
Product life0		Next page 16363

- PRESS [ESC] to return to the Start a Run screen.

Operating the SLA

Once set up, the SLA runs with minimal operator intervention. The labels are automatically generated, combined and placed on the appropriate package.

The SLA contains a label sensor to alert the operator when out of labels or when labels are not advancing. When the sensor does not find a label edge in 5 seconds, the message Out of Security Labels displays on the Ultima console and a beep sounds to alert the operator.

Note

If used with an HSW or NSW Semi Automatic System, the security label is automatically placed on the scale label, but the Operator must hand apply the labels to the package.

Loading Labels

The SLA contains a label sensor to alert the operator when out of labels or when labels are not advancing. When applicable, the message Out of Security Labels displays on the Ultima console and a beep sounds to alert the operator. Although, when out of security labels, the Ultima merchandising labels continue to print. You may also receive this message if the SLA is turned off, but you are still operating the Ultima printer.

Refer to the following procedures and diagrams to correctly load labels. Be sure the SLA is powered off when loading labels.

Note

If applicable, remove the backing paper from the take-up spool and label core from the label hub before you begin loading.

To load labels:

1. Open the SLA label supply door.
2. Turn off power at ON/OFF power switch.
3. Place the roll of labels on the label hub.
4. If the label roll does not have a leader, strip approximately 12" of labels off the backing paper to create a leader.
5. Thread the leader between the label sensor guide and the label guide as shown in Fig 1 and 2. On the early model SLA, thread the leader between the label sensor guide and the 2 guide pins as shown in Fig 3 and 4.
6. Continue threading the leader past the label guide pin as shown in Fig 1-4.
7. For Sensormatic labels, the leader should be threaded between the stripper plate and the stripper guide plate. Loop the end of the leader and thread through the slit in the stripper plate as shown in Fig 2 or Fig 4. For Checkpoint labels, the leader should be threaded around the stripper plate as shown in Fig 1 or Fig 3.
8. Thread the leader thru the slots of the take-up spool. Wrap the leader counterclockwise around the take-up spool as shown in Fig 1-4.
9. Turn the take-up spool counterclockwise a few times to be sure the backing paper winds securely.
10. Turn on power at ON/OFF power switch.
11. Press label eject switch to position the label so that it is visible below the edge of the stripper plate. This may require the label eject switch to be pressed several times.
12. Close the SLA label supply door.

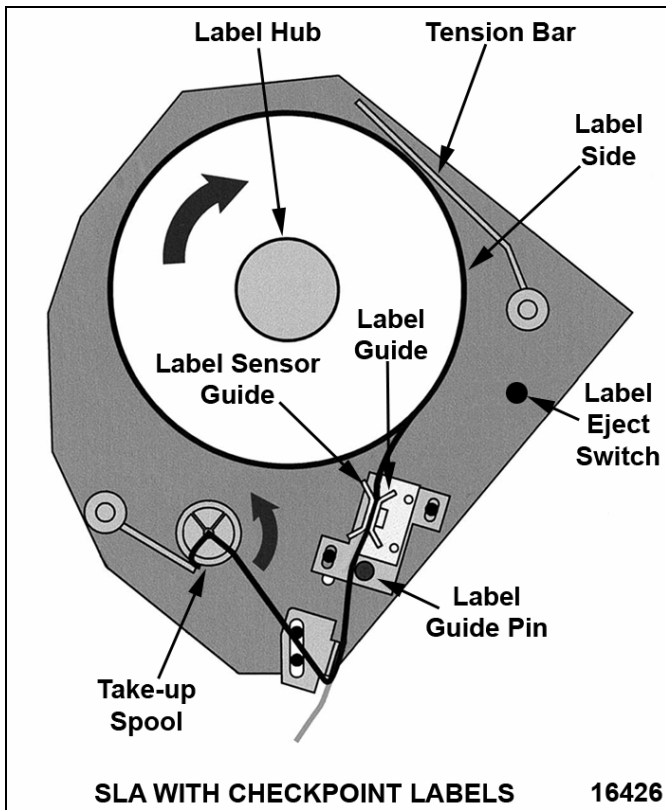


Fig 1

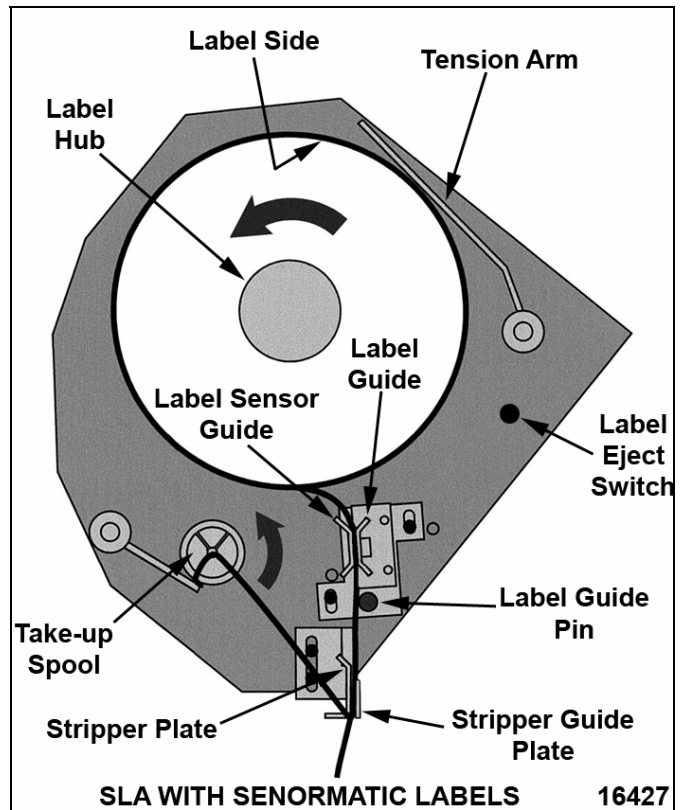


Fig 2

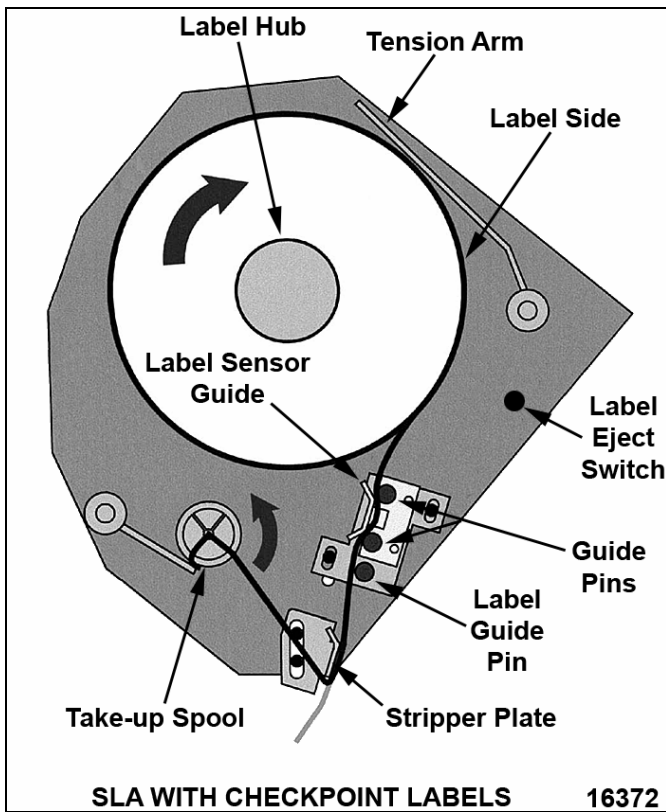


Fig 3

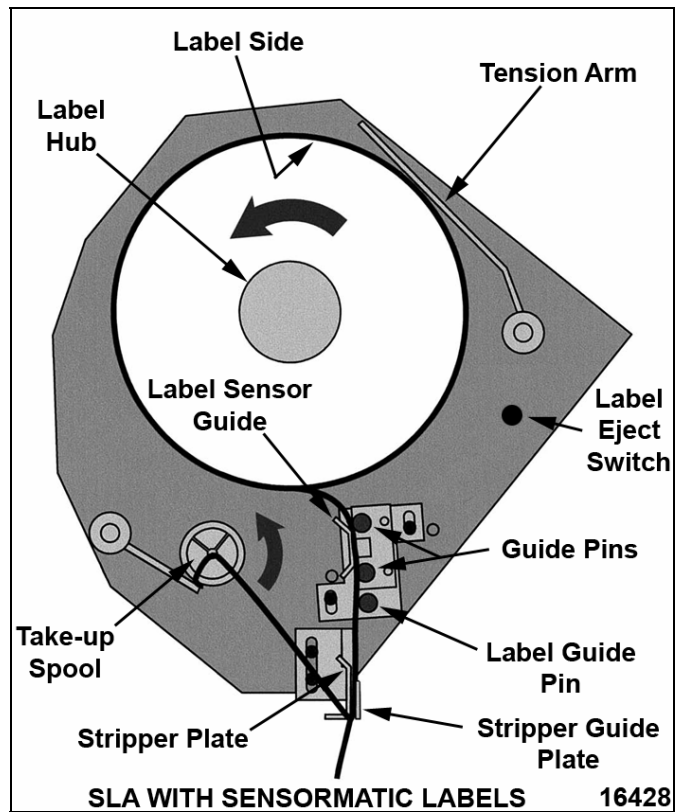


Fig 4

Cleaning and Maintaining

Maintain the SLA by regularly cleaning the paper dust from inside the unit. Clean the SLA exterior surfaces with a cloth and warm water/detergent solution. When cleaning, be sure to protect the unit from direct water entry.


To clean the SLA:

1. Dampen a soft cloth with mild detergent and water.
2. Wipe the exterior surfaces.

Note

Remove any adhered labels with an alcohol soaked cloth. Do not use metal to scrape the labels or adhesive off of the unit.

Troubleshooting

DISPLAY PROMPTS	POSSIBLE CAUSES/REMEDIES
 <p>Out of Security labels The Security label applier is either out of security labels or it is turned off. Press ESCAPE to clear this message. 16371</p>	<ol style="list-style-type: none"> 1. Out of security labels. Load security labels or press escape to continue. 2. Verify labels threaded correctly. 3. SLA power switch is OFF. 4. Check power cord and power source. 5. Call local Hobart Office.
SYMPTOMS	POSSIBLE CAUSES/REMEDIES
Power ON indicator is not illuminated and unit will not function.	<ol style="list-style-type: none"> 1. SLA power switch is OFF. 2. Check power cord and power source. 3. Call local Hobart Office.
Power ON indicator is illuminated and will not issue label (motor does not run).	<ol style="list-style-type: none"> 1. Call local Hobart Office.
Issue label only when manual eject button is pressed.	<ol style="list-style-type: none"> 1. Minimum Unit Price or minimum Total Price is set too high in the Security label setup and/or apply by PLU is not configured correctly in Change Product screen in Supervisor. 2. Call local Hobart office.
Label does not peel off of backing paper.	<ol style="list-style-type: none"> 1. Verify labels threaded correctly. 2. Call local Hobart office.

SYMPTOMS	POSSIBLE CAUSES/REMEDIES
Multiple labels are issued followed by an audible beeping sound.	<ol style="list-style-type: none"> 1. Verify labels threaded correctly. 2. Call local Hobart office.
No label is issued followed by an audible beeping sound.	<ol style="list-style-type: none"> 1. Out of security labels. 2. Missing security labels on backing paper. 3. Verify labels threaded correctly. 4. Call local Hobart Office.
Security label placement on Ultima label is incorrect.	<ol style="list-style-type: none"> 1. Verify that dwell control lever is resting against the backing paper on the take-up spool. 2. Verify labels threaded correctly. 3. Call local Hobart office.

