

Factory Parts Catalog

Product No.	E15IM60GPS0	E15IM60GSS0
Series	Professional	Designer
Market	North America	North America
Color	stainless steel	stainless steel
Volts	120	120
Owner's Guide	241927600	241927600



Electrolux Major Appliances
North & Latin America
P.O. BOX 212378
AUGUSTA, GA 30917

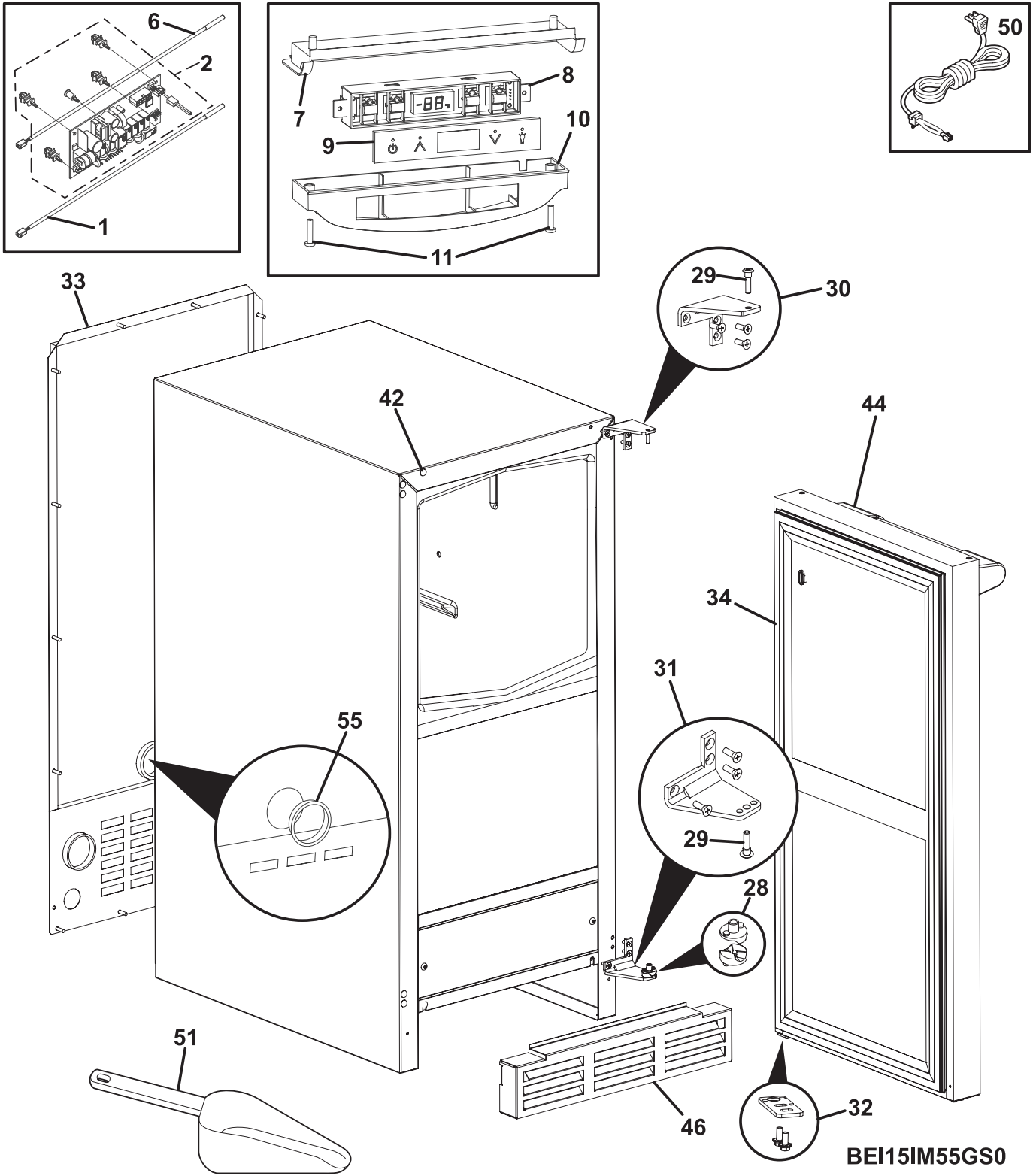
Publication No.
5995508685
08/03/25
(EN/SERVICE/KC)
099

ICE MAKER

Model No.
E15IM60GP /
E15IM60GS

Copyright © 2008 Electrolux Home Products, Inc.
All rights reserved.

CABINET,DOORS

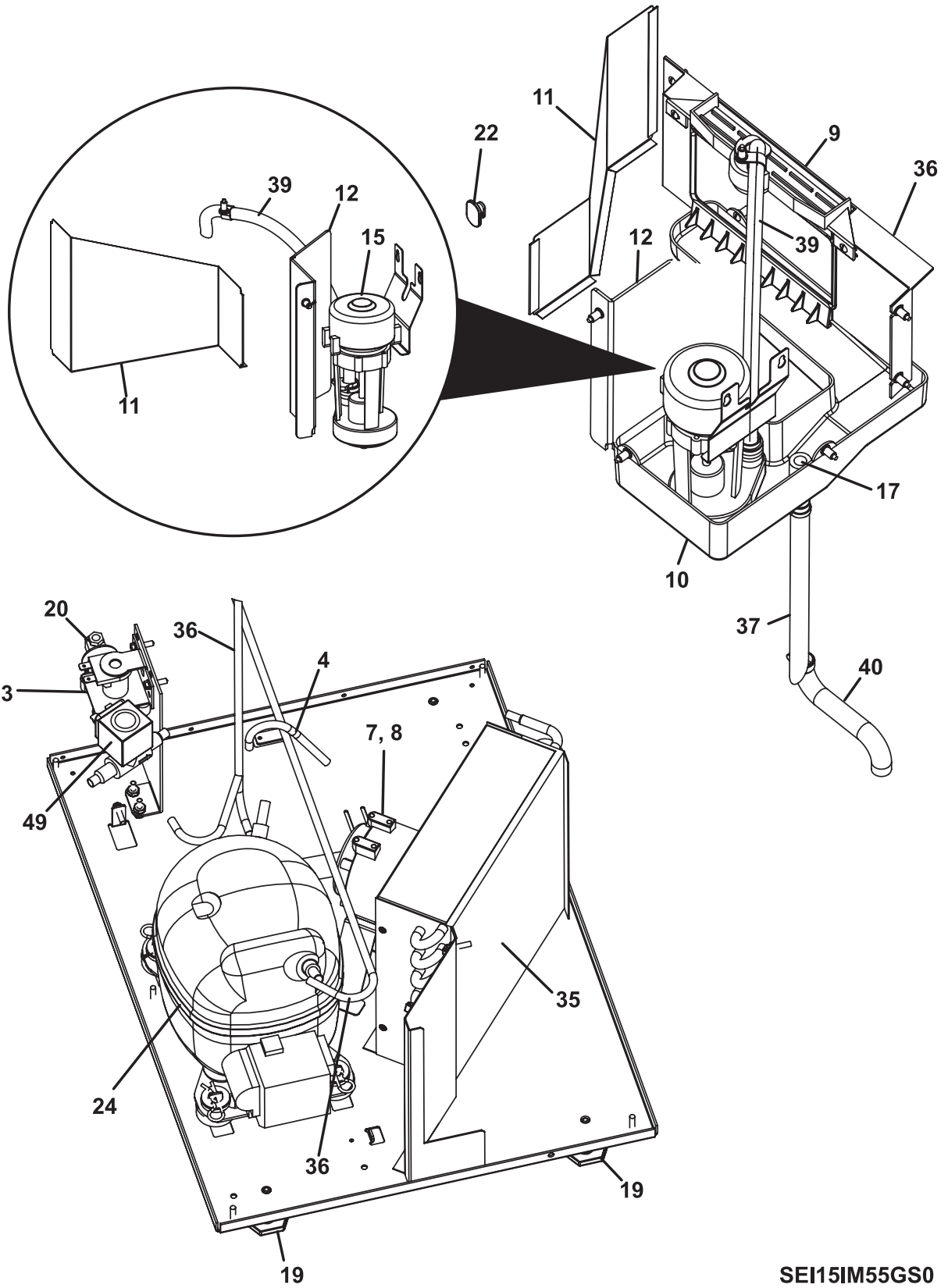


CABINET,DOORS

Model Index: A E15IM60GP (E15IM60GPS0)
B E15IM60GS (E15IM60GSS0)

POS. NO	PART NO.		DESCRIPTION
1 #	75304465614	A B	Thermistor, quick connect, white
2 #	75304465594	A B	Control Board, printed circuit
6 #	75304465615	A B	Thermistor, liquid line, black
7	75304465616	A B	Base Plate, liner
8 #	75304465617	A B	Display Assembly, blue LED
9	75304465618	A B	Panel, control display, glass
10	75304465619	A B	Housing, control display
11	75304465620	A B	Screw, 8-18 X 0.75, Plastite
28	75304446590	A B	Door Closer
29	75304446594	A B	Pin, pivot post, hinge
30	75304446664	A B	Hinge, top, w/pivot pin
31	75304446665	A B	Hinge, bottom, w/pivot pin
32	75304446666	A B	Plate, door pivot, with screws
33	75304446667	A B	Panel, back
34 #	75304446668	A B	Gasket, door
42	75304446611	A B	Plug, hinge holes, top/bottom
44 #	75304446637	A -	Door Assembly, Professional, with handle
44 #	75304446638	- B	Door Assembly, Designer, with handle
46	75304446674	A B	Grille, kick plate
50 #	75304465596	A B	Power Cord, electric svce
51	75304446677	A B	Scoop, ice
55	75304465621	A B	Bushing, back panel, black

SYSTEM



SEI15IM55GS0

SYSTEM

Model Index: A E15IM60GP (E15IM60GPS0)
 B E15IM60GS (E15IM60GSS0)

POS. NO	PART NO.		DESCRIPTION
3 #	7530446590	A B	Valve, water, solenoid
3*	75304446678	A B	Nut, compression, with sleeve
3*	75304446680	A B	Water Line Assy
4 #	75304446642	A B	Tube, process
7 #	75304446643	A B	Motor, condenser fan
8 #	75304446644	A B	Fan Blade, condenser fan
9	75304465591	A B	Receptacle, water dispersal
10	75304446646	A B	Trough, water
11	75304446647	A B	Cover, evaporator
12	75304446648	A B	Cover, pump
15	75304465592	A B	Pump, water, circulation
15*	75304446652	A B	Wiring Harness, water pump
17	75304446653	A B	Standpipe
19	75304446606	A B	Leveling Leg, screw
20	75304446654	A B	Elbow, 90 degree, brass
22	75304446655	A B	Hook, ice scoop
24 #	75304465593	A B	Compressor Assy, w/electricals, includes dryer
24*#	75304446658	A B	Drier-filter
24*#	75304446659	A B	Overload Protector, compressor
24*#	75304446660	A B	Relay, compressor
35 #	75304446669	A B	Condenser
36 #	75304446670	A B	Evaporator Assy, w/tubing
37 #	75304446671	A B	Tube, drain
37*	75304446679	A B	Clamp, tube
39 #	75304446672	A B	Tube, preformed
40 #	75304446673	A B	Tubing, drain
49 #	75304465595	A B	Valve, Hot Gas, w/coil & dryer

WIRING DIAGRAM

