

RANGE COMPOSITION

Zanussi Professional offers a range of ice-making machines specially designed to produce ice cubes. All the models, whilst having a compact size, offer excellent performance and maximum efficiency. The range has been specifically designed for use in bars, restaurants, hotels and discos and can also be used in medical facilities.



730559

130 KG

ICE CUBERS **ZANUSSI**
PROFESSIONAL

FUNCTIONAL AND CONSTRUCTION FEATURES

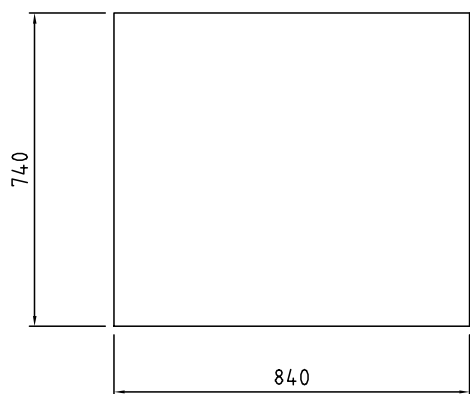
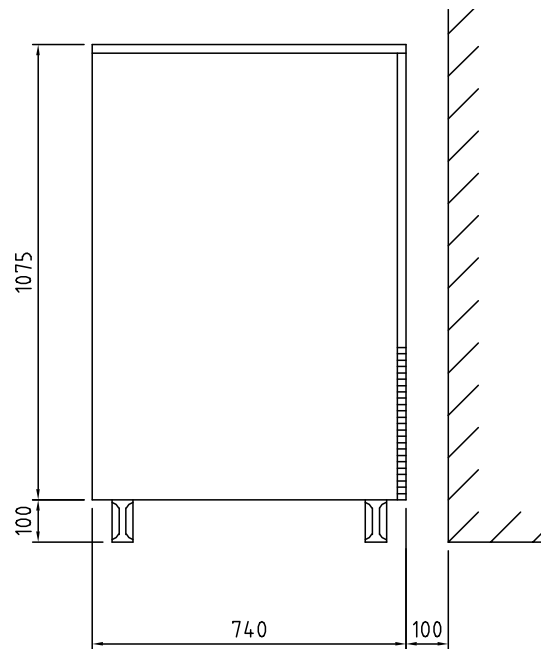
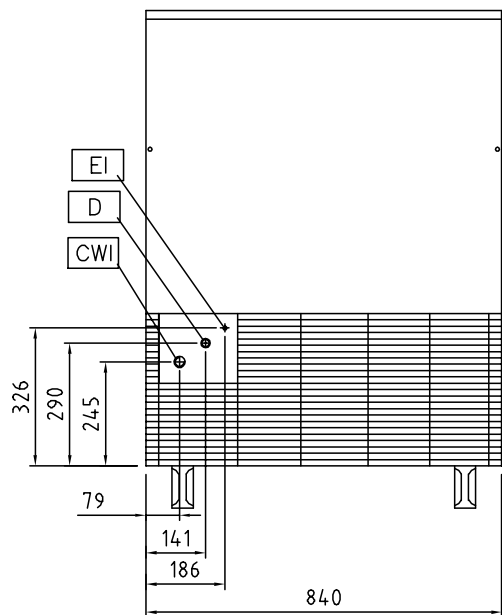
- ◆ All models are available in air-cooled or water-cooled* versions.
- ◆ The ice-making method (spray layering) guarantees compact, hygienically pure ice cubes that are resistant to melting.
- ◆ R404a refrigerant.

- ◆ Reliability is guaranteed by the quality of the construction materials used (plastic flap on the front, top and sides in ABS) and the sophisticated product and process technology involved.
- ◆ The compact dimensions of the ice cubers make them highly suitable for any location, particularly those where space is at a premium.

- ◆ The metal sprayers are easy to take away, permit a simple flowing and prevent limestone formation.
- ◆ All models comply with the standards required by the main international approval bodies and are H marked.

* Water consumption and productivity have been calculated using a water temperature of 15°C and an ambient temperature of 21°C.

| CHARACTERISTICS | MODELS | | | | |
|------------------------------|--------------------|--------------------|---------------------|---------------------|---------------------|
| | CIM143AS 730531 | CIM143WS 730532 | CIM143AS3 730567 | CIM143WS3 730568 | FGC130A42 730164 |
| Output - kg/day | 130 | 130 | 130 | 130 | 130 |
| Bin capacity - Kg | 65 | 65 | 65 | 65 | 65 |
| Kind of cube | A - 18g | A - 18g | C - 33g | C - 33g | E - 42g |
| External dimensions - mm | | | | | |
| width | 840 | 840 | 840 | 840 | 840 |
| depth | 740 | 740 | 740 | 740 | 740 |
| height | 1075 | 1075 | 1185 | 1185 | 1075 |
| Refrigerant type | R404a | R404a | R404a | R404a | R404a; |
| Power - kW | | | | | |
| installed-electric | 1.05 | 1.05 | 1.05 | 1.05 | 1.05 |
| Noise level - dBA | 61.5 | 61.5 | 61.5 | 61.5 | 61.5 |
| Net weight - kg. | 113 | 113 | 113 | 113 | 113 |
| Power supply - V, phases, Hz | 220/240 V, 1N, 50 | 220/240 V, 1N, 50 | 220/240 V, 1N, 50 | 220/240 V, 1N, 50 | 220/240 V, 1N, 50 |



730531
730532

| | CIM143AS 730531 | CIM143WS 730532 | CIM143AS3 730567 | CIM143WS3 730568 | FGC130A42 730164 |
|----------------------------|--------------------|--------------------|---------------------|---------------------|---------------------|
| CWI - Cold water inlet | 3/4" | 3/4" | 3/4" | 3/4" | 3/4" |
| D - Water drain | 24mm | 24mm | 24mm | 24 mm | 24mm |
| EI - Electrical connection | 220/240 V, 1N, 50 | 220/240 V, 1N, 50 | 220/240 V, 1N, 50 | 220/240 V, 1N, 50 | 220/240 V, 1N, 50 |



www.zanussiprofessional.com