

Thinking of you

 **Electrolux**

USER MANUAL

EFT60001
EFT60002
EFT60003



EN

GENERAL INFORMATION	SAFETY WARNINGS	5
CHARACTERISTICS		6
INSTALLATION		7
USE		8
MAINTENANCE		9

EN

Welcome to the world of Electrolux

Thank you for choosing a first class product from Electrolux, which hopefully will provide you with lots of pleasure in the future. The Electrolux ambition is to offer a wide variety of quality products that make your life more comfortable. You find some examples on the cover in this manual. Please take a few minutes to study this manual so that you can take advantage of the benefits of your new machine. We promise that it will provide a superior User Experience delivering Ease-of-Mind. Good luck!

GENERAL INFORMATION SAFETY WARNINGS

GENERAL INFORMATION

This canopy hood is designed to be fixed to any rigid vertical surface, over a gas or electric hotplate and can be used either in the extraction mode (ducted to the outside) or in the recirculation mode (internal recycling). All cookers hood perform better when used in evacuation mode. During winter time it may be convenient to use the hood in the recycling mode to avoid heat loss from the kitchen.

Before starting the installation, consideration should be given to the difficulties to be found during installation. The installation work must be undertaken by a qualified and competent person in conformity to the rules concerning the evacuation of contaminated air.

The manufacturer disclaims all liability for any damage or injury caused as a result of not following the instructions for installation contained in the following text.

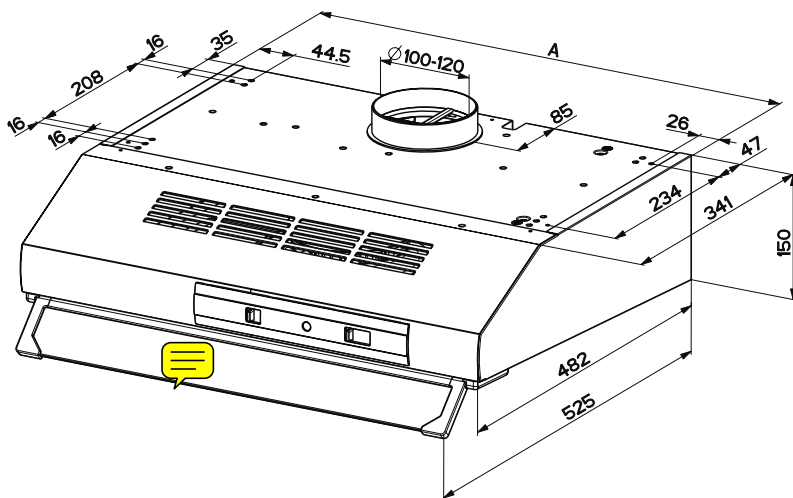
1 - SAFETY WARNINGS

- 1.1- When used in the extraction mode, the cooker hood ducting must not be connected to a flue which is used for exhausting fumes from appliances supplied with energy other than electric, such as a central heating flue or water heating flue.
- 1.2- Before connecting to the mains supply ensure that the mains voltage corresponds with the voltage on the rating plate inside the hood.
- 1.3- Connect the cooker hood to the mains via a bipolar switch which has 3mm clearance between the contacts.
- 1.4- For cooker hoods featuring an earth cable, make sure the electric plant of your house is correctly earthed.
- 1.5- Appliance in class II are provided with a double insulation; therefore do not connect them through earthed plugs but through simple bipolar plugs.
- 1.6- When installed, the hood must be positioned at least 65cm above the hotplate.
- 1.7- Never do flambé cooking under this cooker hood.
- 1.8- Never leave frying pans unattended during use as overheated fat and oil may catch fire.
- 1.9- Before carrying out any kind of maintenance or cleaning, disconnect the hood from the mains supply.
- 1.10- If the room where the cooker hood is to be used contains a fuel burning appliance such as a central heating boiler then this must be of the room sealed or balanced flue type. If other types of flue or appliance are fitted, ensure that there is an adequate supply of air into the room. When the cooker hood is used in conjunction with appliances supplied with energy other than electric, the negative pressure in the room must not exceed 0,04 mbar to prevent fumes being drawn back into the room by the cooker hood.
- 1.11- The appliance must be positioned so that the plug is accessible.
- 1.12- If the supply cord is damaged, it must be replaced by a special cord or assembly available from the manufacturer or its service agent.

CHARACTERISTICS

Dimensions

EN



A
498
5
592
698
798
898
998

INSTALLATION

2 - INSTALLATION INSTRUCTIONS

Some installation systems require the opening and removal of the metal grille panel.

2.1 - Instructions for opening and removing the metal grille panel

To open the grille panel, press inwardly on the two slider catches at each side of the grille panel and the grille will pivot down.

To remove the metal grille, pull forward on the right hand side so that the hinge pin on the back of the grille will be released from the slot in the side of the casing.

2.2 - Wall cabinet fixing

a-Predrilled wall cabinet: fix the hood onto the wall cabinet base panel using the four screws 4.2 x 45 mm (supplied with the fixing kit).

It is not necessary to open the metal grille.

b-No predrilled wall cabinet:

b.1-If the hood is provided with a paper fixing template, follow the instructions.

b.2-If the hood is not provided with a paper fixing template, position the hood on the wall cabinet base panel and pilot drill the 3.5 x 16 mm screws (not supplied with the fixing kit) from the inside onto the wood.

2.3 - Wall mounting

a-Drill two Ø 8 mm holes on the wall using the paper template, insert two rawl plugs and two 4.2 x 44,4mm screws leaving 5 mm untightened. Open the metal grille panel, hook the hood on and fully tighten the screws.

b-If the hood is not provided with a paper fixing template, drill two Ø 8mm holes (see draw.), insert the plugs and screws, proceeding as directed under

paragraph a.

c-For wall mounting using wallbrackets (optional), follow the instructions of the fixing template.

d-Pay attention to the safety regulation of point 1.6.

2.4 - Choice of operating mode

a - Evacuation mode

To check that the hood is set up for evacuation, open the grille panel and make sure that the conversion lever or the change-over knob on the centrifugal unit is in the DUCTING position. The charcoal filter is not required.

For ducting to the outside, the hood is supplied with a rear and top outlet. A flange spigot of 100 mm diameter (120 mm in certain models) is usually fitted on the top outlet and a blanking plug on the rear outlet. If you choose to duct the hood from the rear of the casing, you should invert the position of the flange and of the blanking plug. Pay attention to the safety regulation 1.1.

b - Internal recirculation mode

To check that the hood is set up for recycling, open the grille panel and make sure that the conversion lever or the change-over knob on the centrifugal unit is in the RECYCLING position. The charcoal filter is to be fitted. To fit the charcoal filter, support the filter with one hand and turn the thumb screw through the centre of the charcoal filter. If the filter is of the interlocking type, turn the filter clockwise. The hood can remain connected to the outside.

2.5 - Electrical connection and working test

1-The safety measures 1.2, 1.3, 1.4 and 1.5 of paragraph 1 are to be strictly observed.

2-Once the electrical connection has been completed, check that the worktop illumination, motor and speeds work properly.

USE

3 - OPERATION

EN

3.1- Controls are located on the right hand side of the front to operate worktop illumination and select the most suitable working speed for your cooking. To increase the area of extraction, the glass visor should be pulled open. The top speed should be used when frying or cooking foods with strong odours, while a lower speed can be used for normal cooking. To obtain the best performance from your hood, turn it on before you start cooking and leave it running for a few minutes after your cooking is over to clear the air.

3.2- Pay attention to safety regulations 1.7 and 1.8

MAINTENANCE

4 - MAINTENANCE AND CLEANING

Regular maintenance and cleaning will ensure good performance and reliability, while extending the working-life of the hood. Special attention should be reserved to the grease filter and to the charcoal filter (recycling mode).

4.1 - Grease filter

This retains the solid grease particles and can be supplied in different types. It is fitted onto the reverse side of the metal grille panel. Maintenance of the grease filter varies according to the used type.

a-Whatever type of filters used, the filter is easily removed from the grille by pushing the metal wire clips to one side and removing.

b-Thin synthetic filter (1 mm thick). It should not be washed and should be replaced every two months. If the filter is provided with a saturation indicator, replace when:

b.1-The violet colour of the dots, which are visible through the metal grille, is spread over the whole surface of the filter.

b.2-The red colour of the stripes, which is not visible through the metal grille when the filter is clean, becomes visible from the outside of the metal grille.

c-Multi-layer metal filter. It should be washed once a month in hot water using mild detergent or liquid soap. It can be washed in a dish-washer. It should not be bent and should be left to drain dry.

WARNING: An excess of grease in the filter not only would affect the performance of the hood, but it is also a possible fire risk. We strongly recommend therefore to clean and replace filters in accordance with the manufacturer instructions.

4.2 - Cleaning Metal self-supporting Grease Filters

- The filters are washable and must be cleaned at least every 2 months of operation, or more frequently for particularly heavy usage.
- Remove the filters one at a time by pushing them towards the back of the group and pulling down at the same time.
- Wash the filters, taking care not to bend them. Allow them to dry before refitting.
- When refitting the filters, make sure that the handle is visible on the outside.

4.3 - Charcoal filter

The charcoal filter is a chemical filter to be used only when the hood is in the recycling position. To replace the charcoal filter, open the grille and remove the thumb screw through the centre of the charcoal filter. If the filter is of the interlocking type, turn the filter anticlockwise. Replace by reversing the operation.

For a good performance replace the charcoal filter on average every three months.

4.4 - Worktop illumination

If a lamp fails to function at any time, open the metal grille panel and check that the lamp is fully screwed into the holder. When changing the lamp, an identical replacement must be fitted to ensure a safe working of the hood.

4.5 - Cleaning

The metal work should be cleaned regularly, at least once a month, using mild household cleaner and polish. Never use abrasives. For all operations from point 4.1 to point 4.4 and in particular for point 4.3, pay special attention to the safety regulation 1.9.



www.electrolux.com

