

SP-CEIL-001

Projector Mount

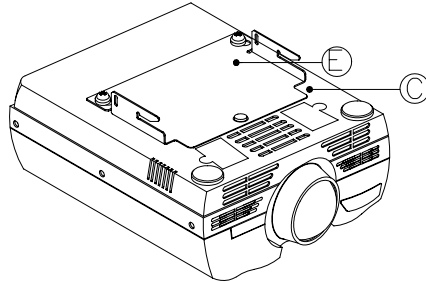
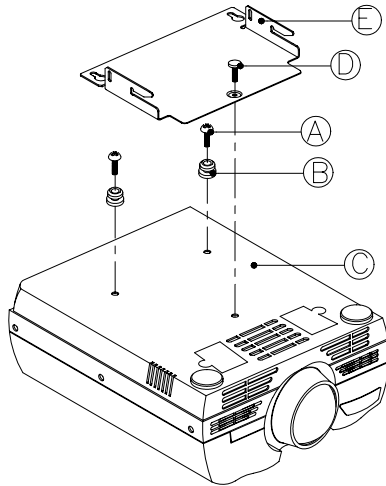
INSTALLATION INSTRUCTIONS

□ Step 1

Invert the projector and place it on a soft and flat surface. Locate the three (3) 4 (mm) mounting points found on the bottom of the projector (C). Secure the two (2) Quick release sleeves (B) with the two (2) 4 (mm) x 20 (mm) Phillip Screws (A) (supplied). Align the keyhole openings from the mounting bracket (E) to the sleeves (B) and secure the bracket with the 4 (mm) x 16 (mm) knurl knob (D) (supplied).

Do not over tighten!

See Figure 1



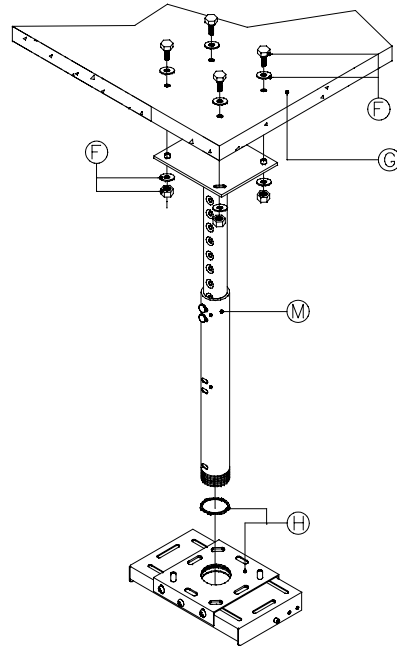
F1

□ Step 2

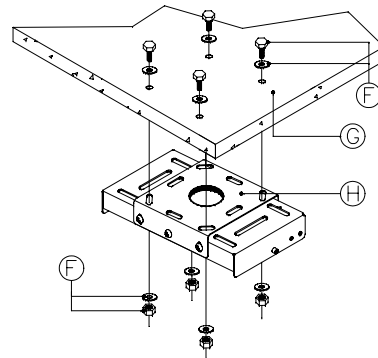
Install the base box securely to the ceiling structure in accordance with proper commercial standards. Use (commercially available) suitable hardware depending on the installation requirements.

NOTE: If the (Optional) SP-LTMT-EXT Adjustable height suspension adapter is a part of the installation, securely install the ceiling adapter to the ceiling at this time.

(Refer to its Installation Instructions)



-SP-LTMT-EXT-

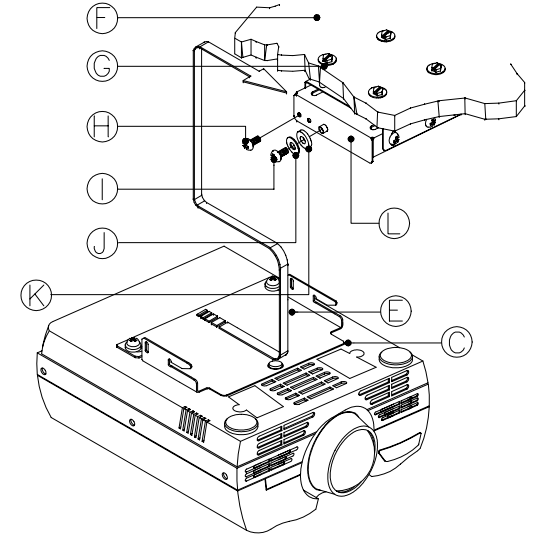


-FIXED CEILING MOUNT-

□ Step 3

Install the two (2) conical spacers (K) and two (2) flat washers (J) two (2) hinge pin screws (I) loosely on both sides of the base box (L). Raise the projector with the mounting bracket attached and slip through the hinge pin slots openings on the bracket into the base box. Install the two (2) angle locking screws (H) adjust the angle, lock it, and then tighten the hinge pin screws (I).

See Figure 2



F2

□ Step 4

Check all the hardware for proper tightness and security. Do not over tighten hardware.

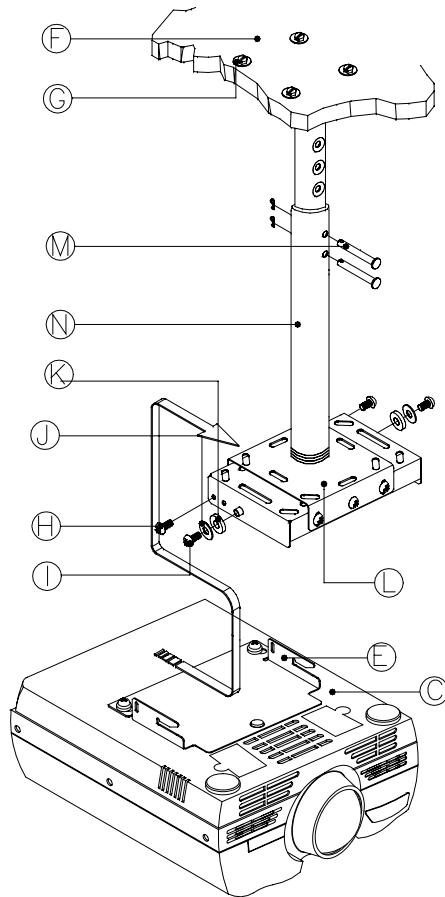
Continue

SP-CEIL-001 PROJECTOR MOUNT

□ Step 5

Install the two (2) conical spacers (K) and two (2) flat washers (J) two (2) hinge pin screws (I) loosely on both sides of the base box (L). Raise the projector with the mounting bracket attached and slip through the hinge pin slots openings on the bracket into the base box. Install the two (2) angle locking screws (H) adjust the angle, lock it, and then tighten the hinge pin screws (I).

See Figure 3



F3

Check all hardware for proper tighten and security.

WARNING!

The ceiling should be capable of supporting a weight of at least five (5) times the weight of 19 Lbs. If it cannot, the ceiling must be reinforced. Proper installation procedure by qualified personnel as outlined in the installation instructions must be adhered to. Failure to do so could result in serious personal injury.

DESCRIPTION/HARDWARE

- A. 4 (mm) x 20 (mm) Phillip screws (2ea)
- B. 4 (mm) Quick release sleeves (2ea)
- C. Projector (Not Supplied)
- D. 4 (mm) x 16 (mm) Knurl knob (1ea)
- E. SP-CEIL-001
- F. Suitable Hardware (Commercially Available)
- G. Ceiling Structure (See Warning Label)
- H. 6 (mm) x 12 (mm) Angle locking screw (2ea)
- I. 6 (mm) x 12 (mm) Hinge pin screw (2ea)
- J. Flat washers (2ea)
- K. Conical spacer (2ea)
- L. PBB-10RL Base box/Jam screw (1ea)
- M. Suspension Adapter Adjustable Pins (2ea)
- N. SP-CEIL-EXT Adjustable suspension Adapter (Optional)

For further information or ordering assistance contact us at the phone/address number shown on the front of this page.



27700B S.W. Parkway Ave.
Wilsonville, Oregon 97070-9215
Phone 1-800-294-6400 Fax
www.infocus.com