



---

# Service Manual

## Ice Cube Maker

### AGB 022/01/G/WP

---

<b>Model Version</b>		<b>Page</b>
	AGB 022/01/G/WP	
	8512 022 15072	
	Technical data	2
	Spare part list	3
	Exploded view	4
	Circuit and Wiring diagram	5

## Technical data

### Dimensions

Height	61.0	cm
Width	55.5	cm
Depth	57.0	cm

### Electrical connection

Voltage	220 - 240	V
Frequency	50	Hz

### Power consumption

in 24 hours (at 16° C)	7.05	kWh
------------------------	------	-----

### Freezing capacity (ice cube machine)

in 24 hours	20.4	kg
-------------	------	----

### Compressor

Type	NB 1117 Z	
Capacity (CECOMAF)	127	W

### Refrigerant

Type	R 134 a	
Quantity	170	g

### Thermostat switching value (ice quantity)

Switch on temperature min.	+ 12.0	°C
Switch on temperature max.	+ 4.0	°C
Switch off temperature min.	+ 6.0	°C
Switch off temperature max.	- 2.0	°C

### Thermostat switching value (ice thickness)

Switch on temperature min.	+ 2.0	°C
Switch on temperature max.	+ 2.0	°C
Switch off temperature min.	- 8.0	°C
Switch off temperature max.	- 15.0	°C

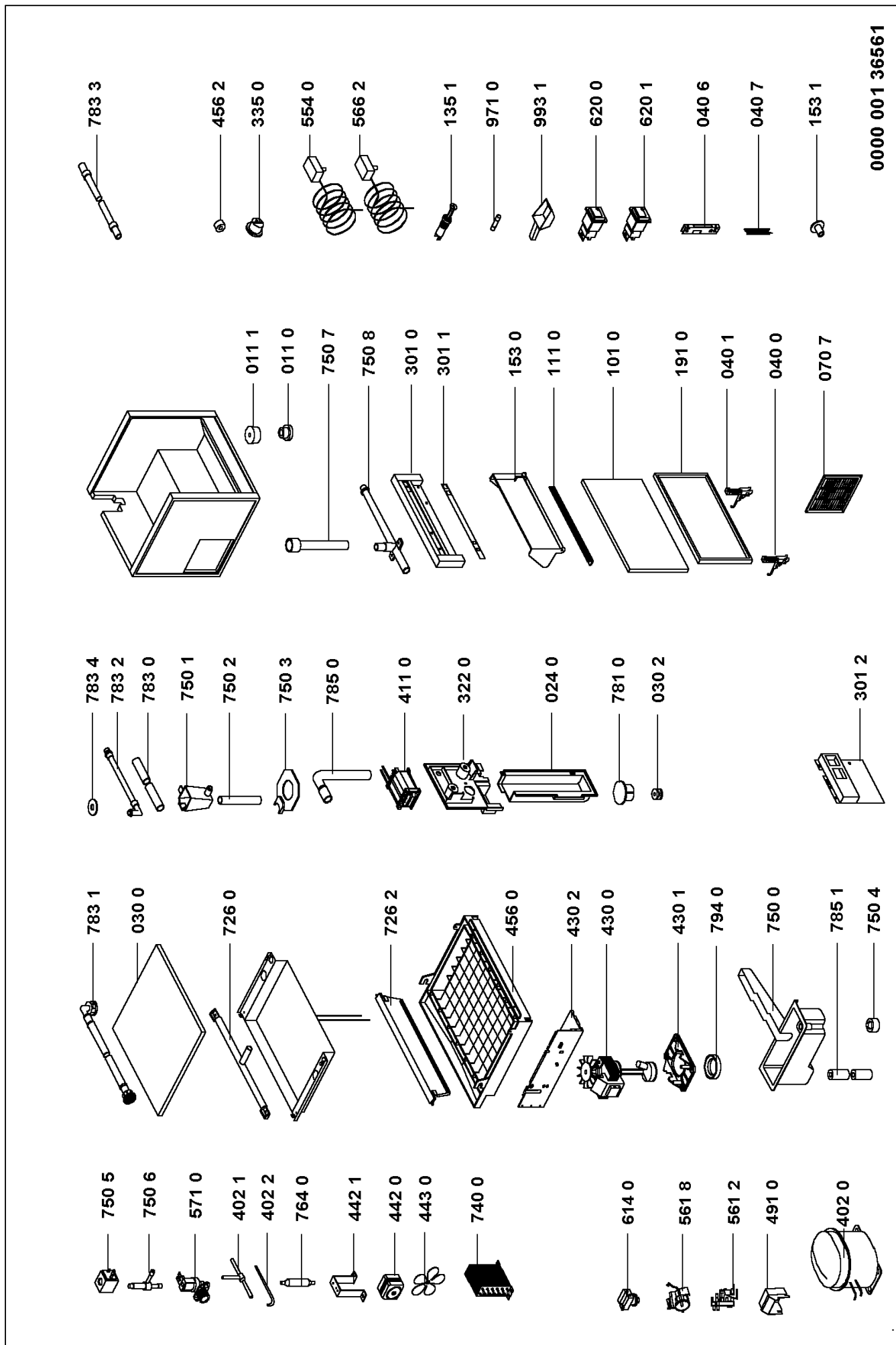
## Spare part list

Model **AGB 022/01/G/WP**  
Service No. **851202215072**  
Version **851202215072**

Pos. No.	12NC Code	Description
011 0	<b>4819 500 18116</b>	Foot
011 1	<b>4819 532 68413</b>	Holder
024 0	<b>4819 462 79583</b>	Cover plate
030 0	<b>4812 440 19982</b>	Table top
030 2	<b>4819 532 28158</b>	Bushing
040 0	<b>4819 417 18949</b>	Hinge left
040 1	<b>4819 417 18948</b>	Hinge right
040 6	<b>4819 417 19039</b>	Holder f.hinge
040 7	<b>4819 459 48413</b>	Frame f.hinge
070 7	<b>4819 458 58265</b>	Grille
101 0	<b>4812 416 18252</b>	Door,freezer
111 0	<b>4819 498 68991</b>	Grip
135 1	<b>4819 256 48006</b>	Holder
153 0	<b>4819 442 28652</b>	Flap
153 1	<b>4819 532 68296</b>	Bushing
191 0	<b>4819 466 69457</b>	Magnetic seal
301 0	<b>4819 442 28169</b>	Control panel
301 1	<b>4819 460 78096</b>	Insert
301 2	<b>4819 462 58102</b>	Bracket
322 0	<b>4819 452 99825</b>	Bracket
335 0	<b>4819 413 48086</b>	Knob thermostat
402 0	<b>4812 360 38684</b>	Compressor NB 1117 Z
402 1	<b>4819 526 48339</b>	Coupling piece
402 2	<b>4819 530 28941</b>	Hose
411 0	<b>4819 145 38025</b>	Transformer
430 0	<b>4819 361 78138</b>	Motor ,pump cpl.
430 1	<b>4819 404 49197</b>	Holder f.pump
430 2	<b>4819 404 78532</b>	Support
442 0	<b>4819 361 18449</b>	Motor
442 1	<b>4819 404 49562</b>	Holder
443 0	<b>4819 515 48056</b>	Fan wheel
456 0	<b>4819 259 98215</b>	Res,icecube cut
456 2	<b>4819 532 58012</b>	Bushing
491 0	<b>4812 290 88075</b>	Cover,conn.bloc
554 0	<b>4819 271 28842</b>	Thermostat ,ice quantity
561 2	<b>4819 290 68433</b>	Connectionblock
561 8	<b>4812 280 38014</b>	Protect,motor
566 2	<b>4819 271 28799</b>	Thermostat ice thickness
571 0	<b>4819 281 28224</b>	Valve,magnet
614 0	<b>4819 280 68212</b>	Relay 220V
620 0	<b>4819 276 18121</b>	Switch blue
620 1	<b>4819 276 18119</b>	Switch green
726 0	<b>4819 532 48002</b>	Tube
726 2	<b>4819 440 79896</b>	Flap
740 0	<b>4819 511 48619</b>	Condenser
750 0	<b>4819 418 79319</b>	Container
750 1	<b>4819 418 48238</b>	Tube
750 2	<b>4819 529 28128</b>	Tube exhaust
750 3	<b>4819 462 79088</b>	Stopper
750 4	<b>4819 526 48183</b>	Stopper
750 5	<b>4819 281 68028</b>	Coil
750 6	<b>4819 281 28248</b>	Valve,magnet
750 7	<b>4819 530 28588</b>	Connection
750 8	<b>4819 526 48341</b>	Coupling piece
764 0	<b>4819 480 28144</b>	Dryer

Pos. No.	12NC Code	Description
781 0	<b>4819 462 78475</b>	Stopper
783 0	<b>4819 530 28541</b>	Hose
783 1	<b>4819 530 28736</b>	Hose
783 2	<b>4819 530 28742</b>	Hose
783 3	<b>4819 530 48499</b>	Hose
783 4	<b>4819 532 58239</b>	Gasket
785 0	<b>4819 529 28138</b>	Tube
785 1	<b>4819 530 28112</b>	Insulator
794 0	<b>4819 532 68096</b>	Gasket
971 0	<b>4819 253 38003</b>	Fuse
993 1	<b>4819 395 78012</b>	Skimmer f.ice

**Exploded view**



## Circuit and Wiring diagram

- A PLUG
- BI CONNECT BLOCK
- D1 FREEZ. COMPRESSOR
- F STARTING RELAY
- G OVERLOAD PROTECTOR
- H9 ICE-QUANTITY THERM.
- H10 ICE-THICKNESS THERM.
- I1 FUSE
- L10 THERMOSTAT HEATER
- L11 ICE-CUTTER HEATER
- N FAN MOTOR
- NI PUMP MOTOR
- O WASH SWITCH
- S SWITCH
- S5 DOUBLE SWITCH
- W1 SOLENOID VALVE WATER INLET
- W2 SOLENOID VALVE WATER OUTLET
- Y1 TRANSFORMER
- X COMPRESSOR EARTHING
- X1 THERMOSTAT EARTHING
- X3 MOTOR BEARER EARTHING
- X6 CABINET EARTHING
- X11 PUMP MOTOR EARTHING
- X12 TOP EARTHING
- X13 BOTTOM CABINET EARTHING
- 00 BLACK
- 11 BROWN
- 12 BROWN/RED
- 22 RED
- 26 RED/BLUE
- 33 ORANGE
- 45 YELLOW GREEN
- 66 BLUE
- 77 VIOLET
- 89 BLUE-SKY/WHITE
- 99 WHITE
- OPTIONAL

